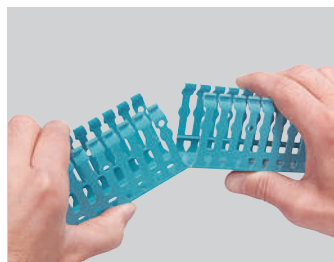
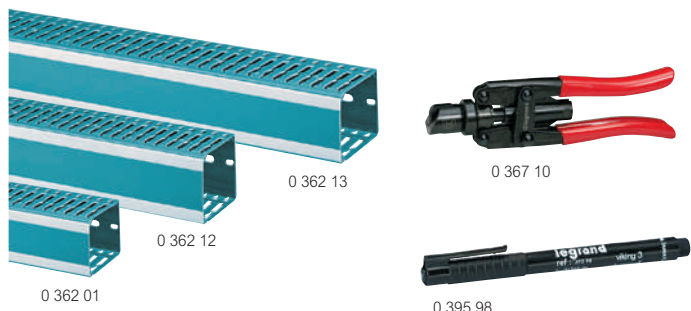


Lina 25™ cable ducting



Manually separable trunking



Side wall fingers can be cut using the Lina 25 cutter tool
Cat.No 0 367 10

Technical characteristics p. 349
Approvals p. 919

Pack	Cat.Nos	Lina 25 ducting	Width x height (mm)
		RAL 2525 blue PVC Conform to EN 50085-2-3 6.5 mm wide fingers with a 6 mm spacing Accepts up to 6 mm ² without breaking side wall fingers Two pre-scored lines allow removal of fingers Bump on side wall fingers help cabling Rounded fingers prevent injury during cabling Conform to EN 50085 parts 2 and 3 Plastic cable ducting (base + cover) Side perforations at intervals of 12.5 mm Length: 2 m	
60 ¹	0 362 00		25 x 25
56 ¹	0 362 01		25 x 40
56 ¹	0 362 02		25 x 60
40 ¹	0 362 03		25 x 80
56 ¹	0 362 05		40 x 25
48 ¹	0 362 06		40 x 40
48 ¹	0 362 07		40 x 60
40 ¹	0 362 08		40 x 80
32 ¹	0 362 11		60 x 40
32 ¹	0 362 12		60 x 60
32 ¹	0 362 13		60 x 80
24 ¹	0 362 16		80 x 60
24 ¹	0 362 17		80 x 80
16 ¹	0 362 25		120 x 80

Pack	Cat.Nos	Lina 25 cutter tool
1	0 367 10	For a straight break of side wall fingers

Pack	Cat.Nos	Sleeving		
		Braided sleeving Black polyester Supplied in 50 m roll in dispenser box with an indicator 3 m before end		
1	0 366 38	20 mm		Ø of roll Ø variations 10 to 30 mm
1	0 366 39	30 mm		18 to 54 mm
		Spiral sleeving Colourless		
25	6 361 78	Ø12 mm		
25	6 361 83	Ø22 mm		

Pack	Cat.Nos	Black felt-tip pen
10	0 395 98	Black felt-tip pen indelible for marking

1: Number of metres in pack

Linafix isolating fixing accessories

Pack	Cat.Nos	Linafix isolating fixing accessories	
20	0 367 00	Material polyamide 6/6 Enable fixing of cable ducting on any support by 1/4 turn On chassis-rail Holds the ducting in place vertically	
100	0 366 40	On rails □, ▤ 15 mm depth 1/4 turn	
20	0 366 41	On Lina 25 perforated plates Clip-on 1/4 turn	
20	0 366 42	On door Fits under control and signalling auxiliaries Osmoz (Ø22)	
10	0 366 43	On Lina 25 uprights Double adjustment to enable alignment with the perforations at the bottom of cable ducting Can be used to fix vertical or horizontal ducting (possible reinforcement with rail □, 15 mm depth)	
100	0 366 46	On plain plates plastic rivet length 12 mm for solid plates up to 30 / 10 th Drilling Ø: 5.5 to 6 mm	
500	0 366 44	On plain plates, Lina 12.5 and perforated plates, Lina 25 for cabinets Reinforced plastic rivet Ø6 mm Drilling Ø: 6.5 mm	
100	0 347 45	Screw caps H 4.8 x 16 mm self-drilling, self-tapping for Ø3.3 mm	
200	0 347 50	Screw cover, for isolating screws head Cat.No 0 347 45 inside the trunking	
50	0 367 01	Cable retainer To clip-on the fingers	