

Viking™ 3 power terminal blocks

Selection chart

		Output		
		Al bare cable	Cu bare cable	Cu cable lug Al-Cu cable lug Cu bar
	Al bare cable	2 shunted blocks: 2x 0 390 10 2x 0 390 11 2x 0 390 20 2x 0 390 21	0 390 10/11	0 390 20/21
	Cu bare cable		0 390 10/11	0 390 17/18/20/21
	Cu cable lug Al-Cu cable lug Cu bar		0 390 20/21	0 390 17/18 0 390 20/21

Cat.Nos 0 390 10/11
Cable Al/Cu - Cable Cu



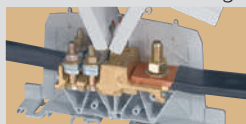
Cat.Nos 0 390 13/14/15
Cable lug - cable lug



Cat.Nos 0 390 17/18
Cable lug - Cable Cu



Cat.Nos 0 390 20/21
Cable Al/Cu - Cable lug



Characteristics of insulated Al/Cu terminal blocks

Conform to IEC EN 60947-7-1, UL 1059, UL 486 E and CSA C 22-2 n° 158
Insulation voltage U_i : 1000 V AC-DC
Impulse voltage U_{imp} : 12 kV
Overtoltage category: 4
Use in pollution atmosphere 3
Fire resistance:
- 960 °C (except cover) acc. to IEC EN 60695-2-11
- V2 according to UL 94
Insulating material:
- polyamide body - 30 °C to + 100 °C
- polypropylene cover -25 °C to + 100 °C
IK 04

Block only

Cat.Nos	Current (A)			Icw (kA)	Terminal width (mm)	Ø screw	Tightening torque (Nm)
	Copper - Copper IEC	UL	CSA				
0 390 10	250	200	175	250	8,4	-	15
0 390 11	400	300	285	400	18	-	35
0 390 13	310	250	230	220	11,4	28	M 8
0 390 14	415	340	285	300	18	34	M 10
0 390 15	670	520	420	480	36	46	M 12
0 390 17	315	210	230	315	11,4	34	M 10
0 390 18	420	325	285	420	18	46	M 12
0 390 20	340	235	255	250	8,4	34	M 10
0 390 21	570	375	420	400	18	46	M 12

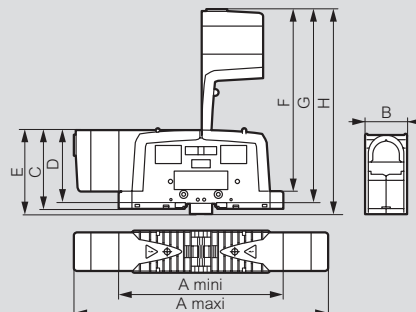
Shunted block

Block + shunt Cat.Nos	Current (A)		Icw (kA)	Shunt tightening torque (Nm)
	Copper - Copper IEC	Al-Al / Al-Cu / Cu-Al		
0 390 10 + 0 394 46 + 0 390 10	340	250	14,4	6
0 390 11 + 0 394 47 + 0 390 11	570	400	36	10
0 390 13 + 0 394 46 + 0 390 13	310	220	11,4	6
0 390 14 + 0 394 46 + 0 390 14	415	300	18	6
0 390 15 + 0 394 47 + 0 390 15	670	480	36	10
0 390 17 + 0 394 46 + 0 390 17	415	315	18	6
0 390 18 + 0 394 47 + 0 390 18	670	420	36	10
0 390 20 + 0 394 46 + 0 390 20	340	250	14,4	6
0 390 21 + 0 394 47 + 0 390 21	570	400	36	10

AWG cable cross-sections

mm²	35	70	95	120	150	185	300
AWG	2	00	0000	250	300	350	600

Dimensions (mm)



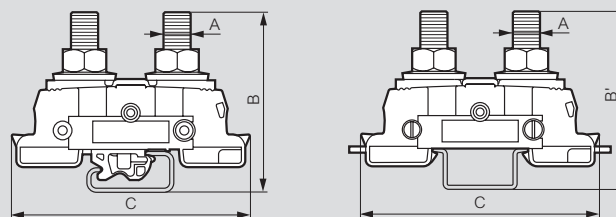
Cat.Nos	A max	A mini	B	C	D	E	F	G	H
0 390 13	227	155	36	82	73	88	176	185	191
0 390 10/14/17/20	296	200	42	83.5	74.5	89.5	212	221	227
0 390 11/15/18/21	337	216	55	107.3	98.5	113.5	257	266	272

Characteristics of bare terminal blocks

Conform to IEC EN 60947-7-1
Insulation voltage U_i : 1000 V AC-DC
Fire resistance:
- 960 °C acc. to IEC EN 60695-2-11
- V2 according to UL 94
Insulating material: polyamide - 30 °C to + 100 °C

Cat.Nos	Current (A) Copper - Copper IEC	Icw (kA)	Terminal width (mm)	Ø screw	Tightening torque (Nm)
0 390 31/71	125	4.2	15	M 8	10
0 390 32/72	192	8.4	20	M 10	20
0 390 33/73	269	14.4	25	M 10	20
0 390 34/74	415	28.8	35	M 12	40

Dimensions (mm)



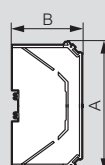
Cat.Nos 0 390 31/32/33/34

Cat.Nos 0 390 71/72/73/74

Cat.Nos	A	B
0 390 31/71	56	84
0 390 32/72	61	84
0 390 33/73	61	84
0 390 34/74	64	86

Cat.Nos	Separation and insulation divider	Protective cover	
		4 blocks	3 blocks
0 390 31/71	0 394 77	0 394 88	-
0 390 32/72	0 394 78	0 394 86	-
0 390 33/73	0 394 78	0 394 86	-
0 390 34/74	0 394 78	0 394 89	0 394 86

Separation barriers dimensions (mm)



Cat.Nos 0 394 77/78

Cat.Nos	A	B	th.
0 394 77	106	82	8
0 394 78	188	102	12