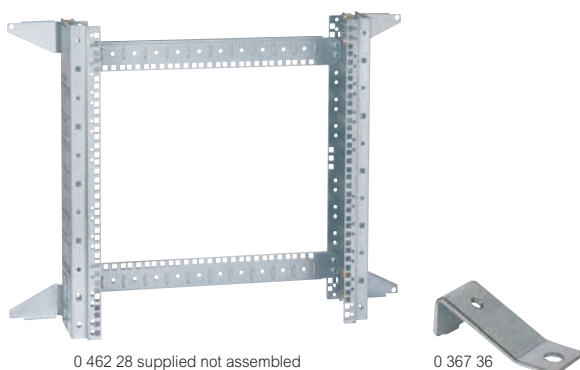


Atlantic, Atlantic food industry and Marina cabinets equipment



0 462 28 supplied not assembled

0 367 36

Cabinet and equipment selection chart **p. 288**
 Technical characteristics **p. 309**

Lina 25 sectioned uprights

Pack	Cat.Nos	For cabinets height (mm)	Length (mm)	Section
Set of 2 uprights				
5	0 361 50	300	237	L
5	0 361 51	400	337	
5	0 361 52	500	437	
5	0 361 53	600	537	
5	0 361 54	700	637	
5	0 361 55	800	737	
5	0 361 56	1000	937	
1	0 361 58	1200	1137	
1	0 361 59	1400	1337	
10	0 361 92	Upright to be cut Length 3 m - Section L		

Lina 25 rail
Rail
 For fixing onto uprights with clip nut Cat.No 0 364 42 and screw-washer Cat.No 0 367 75 (p. 283)
 depth 15 mm

Pack	Cat.Nos	For cabinets width (mm)	Crosspiece length (mm)	Section
10	0 367 80	300	243	┌
10	0 367 81	400	343	
10	0 367 82	500	443	
10	0 367 83	600	543	
10	0 367 84	800	743	

Rail to be cut, length 2 m

10	0 374 02	┌ EN 60715
10	0 374 07	Symmetrical ┌ depth 15 mm
10	0 374 04	Symmetrical ┌ EN 60175 depth 7.5 mm
10	0 477 22	┌ depth 7.5 mm with oblongs
10	0 477 23	┌ depth 15 mm with oblongs

Protective conductor lug

5	0 367 36	Support lug for protection copper bar For Atlantic enclosures only
---	----------	---

Wall-mounting VDI chassis for Atlantic, and Marina cabinets

For integrating 19" VDI equipment in Atlantic, and Marina cabinets, width 600 or 800 mm and depth 250 mm min.		
In 400 mm wide cabinets, the chassis can integrate 10" VDI equipment (p. 784)		
Can be fixed directly to the wall to create a wall-mounting chassis (without cabinet)		
Self-locking cable ties and cable ties with tightening indicator (p. 795) can be fitted		
Technical characteristics see p. 794		
1	0 462 27	6 U chassis
1	0 462 28	12 U chassis
1	0 462 29	16 U chassis