



Our iTB hinged standard enclosure range gives you the most modern, robust and cost effective solutions for hazardous and heavy industrial use.

Key Features

- ✓ Any size from 230x150x130 up to 2000x1200x800 for hazardous area
- ✓ Any size for industrial
- ✓ 316L, 304 Stainless Steel and painted Mild Steel
- ✓ ATEX
- ✓ Silicon gasket as standard
- ✓ Entry configuration to your requirements
- ✓ Brushed finish as standard. Corrosion resistant for min 25 years
- ✓ Impact resistant 7 NM. Up to 10 NM self certified
- ✓ All fixtures and fittings in 316L Stainless Steel
- ✓ Innovative mounting assembly options
- ✓ Din rail support fitted
- ✓ Various material thicknesses available on request

Flexible external mounting solutions

Gland plates any side

High performance gasket

Innovative hinge design

Industrial and hazard area solutions

Label options available

Optional locking solutions

Range of finishes and materials



No Inconvenience

- ✓ Rapid design to your specification

No Compromise

- ✓ Any size
- ✓ Custom as standard

No Delay

- ✓ Delivered to your schedule



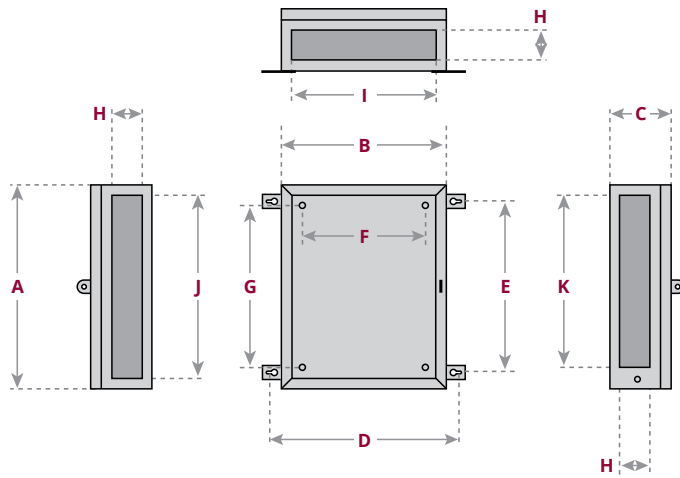
Questions, enquiries?

Call us on 01233 638311 Email sales@indexenclosures.com Visit www.indexenclosures.com



Standard Dimensions

All dimensions in mm



What size do you really need?

With indEx, custom comes as standard!
Call us on **01233 638311** to discuss your requirements.

Box size	A	B	C	D	E	F	G	H	I	J	K	Lid Gauge	Body Gauge	Hinges	Bolts
iTB 231513	230	150	130	210	170	C/L	130	58	106	106	128	1.2	1.2	2	2
iTB 302015	300	200	150	260	240	100	200	78	156	256	198	1.2	1.2	2	2
iTB 303015	300	300	150	360	240	200	200	78	256	256	198	1.2	1.2	2	2
iTB 403015	400	300	150	360	340	200	300	78	256	356	298	1.2	1.2	2	2
iTB 404015	400	400	150	460	340	300	300	78	356	356	298	1.2	1.2	2	2
iTB 504015	500	400	150	460	440	300	400	78	356	456	398	1.2	1.2	2	2
iTB 604020	600	400	200	460	540	300	500	128	356	556	498	1.5	1.5	2	2
iTB 755020	750	500	200	610	690	400	650	128	456	706	648	1.5	1.5	3	2
iTB 906020	900	600	200	660	840	500	800	128	556	856	798	1.5	1.5	3	3
iTB 1008020	1000	800	200	860	940	700	900	128	756	956	898	1.5	1.5	4	5
iTB 1208030	1200	800	300	860	1140	700	1100	228	756	1156	1098	1.5	1.5	4	5
iTB 12010030	1200	1000	300	1060	1140	900	1100	228	956	1156	1098	1.5	1.5	4	5

Technical Data

Construction Material

316L (1.4404), 304 (1.4301) Stainless Steel
Mild Steel (CR4)

Material Thickness (mm)

Body: 1.2/1.5mm Lid: 1.2/1.5mm
Gland Plate: 3.0mm
Other thicknesses available

Standard Finish

Stainless Steel - brushed
Mild Steel - Powder Coated
Grey RAL7032 or RAL7035

Optional Finish

Stainless Steel - natural, pickled or electropolished
Mild Steel - customer specific colours and specification

Door Fixing

Hinged door with bolts on opposite side.
Through-lid padlock hasp optional

Sealing Material

High performance silicone seal

Enclosure Earth

M10 internal and external Stainless Steel earth stud assembly. Painted enclosures have M6 internal stud on door and painted gland plates

Cable Entries

Via gland plates or direct through body

Enclosure Mounting

Bolt directly to equipment or via 4 mounting lugs. These lugs are bolted on as standard but may be welded as an option. Other options available

Certificates

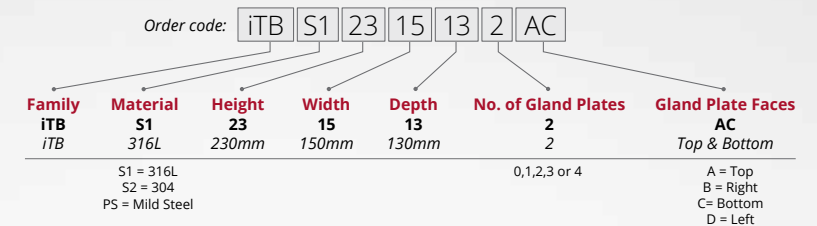
Component (ATEX)

Certificate No.	SIRA11ATEX3142U
Service Temperature Range	-40°C to +135°C
Ingress Protection	IP66
Impact Resistance	7J NM

Apparatus (ATEX)

Certificate No.	SIRA11ATEX3241X
Marking	II 2 GD
Protection Concepts	GAS: Ex e IIC Gb T6, T5, T4 DUST: Ex tb IIIC Db IP66
Ambient Temperature	Min Max -50°C +70°C

Part Number Selection Example



For custom sizes use: IELSO... number. Given on indEx quotations.

Questions, enquiries?

Call us on **01233 638311** Email sales@indexenclosures.com

Visit www.indexenclosures.com