

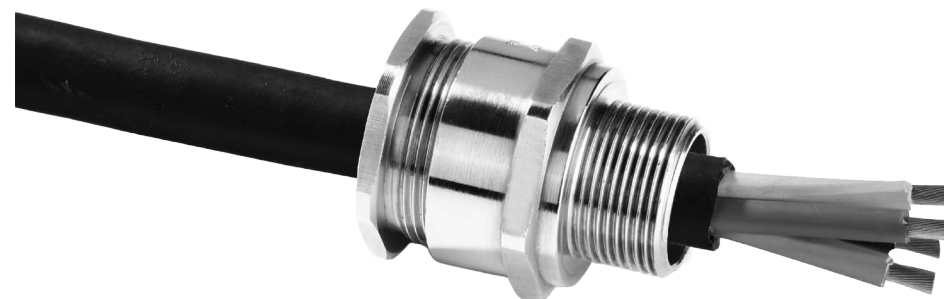


INSTALLATION INSTRUCTIONS FOR A2F CABLE GLAND

CABLE GLAND FOR USE WITH UNARMoured AND BRAIDED CABLES IN EXPLOSIVE ATMOSPHERES

INCORPORATING EU DECLARATION OF CONFORMITY TO DIRECTIVE [2014/34/EU]

CABLE GLAND TYPE A2F



FI413		
Certificate	Revision	Date
IFS	18	5/17
ATEX / IECEx	2	1/17
CSA / cCSAus	2	1/17



Logos shown for illustration purposes only. Please check certification for details

TECHNICAL DATA

CABLE GLAND TYPE : A2F
INGRESS PROTECTION : IP66, IP67, IP68, NEMA 4X
PROCESS CONTROL SYSTEM : BS EN ISO 9001
 ISO/IEC 80079-34:2011

EXPLOSIVE ATMOSPHERES CLASSIFICATION

ATEX CERTIFICATION No : SIRA 13ATEX1068X, SIRA 13ATEX4074X
ATEX CERTIFICATION CODE : II 2G, II 1D Ex d IIC Gb, Ex e IIC Gb, Ex ta IIIC Da
 II 3G Ex nR IIC Gc I M2 Ex d I Mb, Ex e I Mb
IECEx CERTIFICATION No : IECEx SIR 13.0023X
IECEx CERTIFICATION CODE : Ex d IIC Gb, Ex e IIC Gb, Ex nR IIC Gc, Ex ta IIIC Da, Ex d I Mb, Ex e I Mb
CSA CERTIFICATION No : 1211841
CSA CERTIFICATION CODE : Ex d IIC, Ex e II, Ex nR II, Enclosure Type 4X, Class 1, Div. 1, Div. 2, Groups B, C & D

INSTALLATION INSTRUCTIONS

Installation should only be performed by a competent person using the correct tools. Spanners should be used for tightening. Read all instructions before beginning installation.

SPECIAL CONDITIONS FOR SAFE USE

None.

ACCESSORIES

The following accessories are available from CMP Products, as optional extras, to assist with fixing, sealing and earthing:
 Locknut, Earth Tag, Serrated Washer, Entry Thread (I.P.) Sealing Washer, Shroud

Cable Gland Size	Available Entry Threads (Alternate Metric Thread Lengths Available)					Overall Cable Diameter		Across Flats	Across Corners	Protrusion Length	Combined Ordering Reference (*Brass Metric)			Shroud	Cable Gland Weight (Kgs)
	Standard		Option			Min	Max				Size	Type	Ordering Suffix		
	Metric	Thread Length (Metric)	NPT	Thread Length (NPT)	NPT										
16	M16	15.0	-	-	-	3.2	8.7	24.0	26.4	25.1	16	A2F	1RA	PVC04	0.060
20S/16	M20	15.0	1/2"	19.9	3/4"	3.2	8.7	24.0	26.4	25.1	20S16	A2F	1RA	PVC04	0.070
20S	M20	15.0	1/2"	19.9	3/4"	6.1	11.7	24.0	26.4	25.1	20S	A2F	1RA	PVC04	0.060
20	M20	15.0	1/2"	19.9	3/4"	6.5	14.0	27.0	29.7	27.2	20	A2F	1RA	PVC05	0.070
25	M25	15.0	3/4"	20.2	1"	11.1	20.0	36.0	39.6	35.5	25	A2F	1RA	PVC09	0.130
32	M32	15.0	1"	25.0	1 1/4"	17.0	26.3	41.0	45.1	34.2	32	A2F	1RA	PVC10	0.150
40	M40	15.0	1 1/4"	25.6	1 1/2"	23.5	32.2	50.0	55.0	35.1	40	A2F	1RA	PVC13	0.200
50S	M50	15.0	1 1/2"	26.1	2"	31.0	38.2	55.0	60.5	32.0	50S	A2F	1RA	PVC15	0.260
50	M50	15.0	2"	26.9	2 1/2"	35.6	44.0	60.0	66.0	36.3	50	A2F	1RA	PVC18	0.270
63S	M63	15.0	2"	26.9	2 1/2"	41.5	49.9	70.5	77.6	33.5	63S	A2F	1RA	PVC21	0.430
63	M63	15.0	2 1/2"	39.9	3"	47.2	55.9	75.0	82.5	35.8	63	A2F	1RA	PVC23	0.400
75S	M75	15.0	2 1/2"	39.9	3"	54.0	61.9	80.0	88.0	34.2	75S	A2F	1RA	PVC24	0.520
75	M75	15.0	3"	41.5	3 1/2"	61.1	67.9	84.0	92.4	40.6	75	A2F	1RA	PVC26	0.500
90	M90	24.0	3 1/2"	42.8	4"	66.6	79.9	108.0	118.8	58.3	90	A2F	1RA	PVC31	1.600
100	M100	24.0	4"	44.0	4"	76.0	91.0	123.0	135.3	55.2	100	A2F	1RA	LSF33	1.780
115	M115	24.0	4"	44.0	5"	86.0	97.9	133.4	146.7	65.2	115	A2F	1RA	LSF34	2.670
130	M130	24.0	5"	46.8	-	97.0	114.9	152.4	167.6	73.9	130	A2F	1RA	LSF35	3.800

Dimensions are displayed in millimetres unless otherwise stated

Note: Standard Seal (Black) Temperature Range = -60°C to +130°C,
 High Temperature Seal (Brown) Temperature Range = -60°C to +180°C for High Temperature Seal add 'HT' to Ordering Reference after Gland Type e.g. 20SA2FHT1RA.

CMP Products Limited on its sole responsibility declares that the equipment referred to herein conforms to the requirements of the ATEX Directive 2014/34/EU and the following standards:-

EN 60079-0:2012, EN 60079-1:2007, EN 60079-7:2007, EN 60079-15:2010, EN 60079-31:2009, BS 6121:1989, EN 62444:2013

David Willcock

David Willcock - Certification Engineer (Authorised Person)
 CMP Products Limited, Cramlington, UK, NE23 1WH
 24th June 2015

CE 0518

Glasshouse Street • St. Peters • Newcastle upon Tyne • NE6 1BS
 Tel: +44 191 265 7411 • Fax: +44 1670 715 646
 E-Mail: customerservices@cmp-products.co.uk • Web: www.cmp-products.com



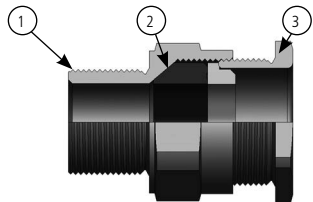
Notified Body: Sira Certification Service, Unit 6, Hawarden Industrial Park, Hawarden, CH5 3US, UK

www.cmp-products.com

INSTALLATION INSTRUCTIONS FOR CMP CABLE GLAND TYPES A2F

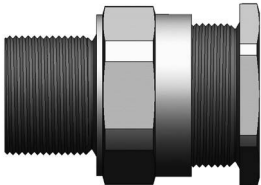
CABLE GLAND COMPONENTS - It is not necessary to dismantled the cable gland any further than illustrated below

- 1. Entry Item
- 2. Seal
- 3. Seal Nut

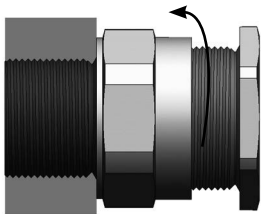


PLEASE READ ALL INSTRUCTIONS CAREFULLY BEFORE BEGINNING THE INSTALLATION

1. It is not necessary to dismantle the gland any further than illustrated below.



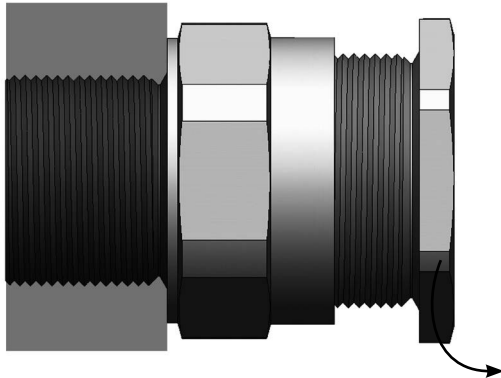
2. Fit the gland into the equipment and fully tighten the entry item (1).



3. Determine the conductor length required to suit the installation and prepare the cable accordingly, removing part of the outer sheath where required to reveal the insulated conductors.



4. Slacken the seal nut (3) to relax the seal (2).



5. Pass the cable through the gland to the desired position, then tighten the seal nut by hand until resistance is felt (when the seal contacts the cable). Tighten with a spanner one further turn.

