



Position switch with safety function

ES 14 FR 1Ö/1S - 2m

Material number: 1189131 (Material number old: 14051006)

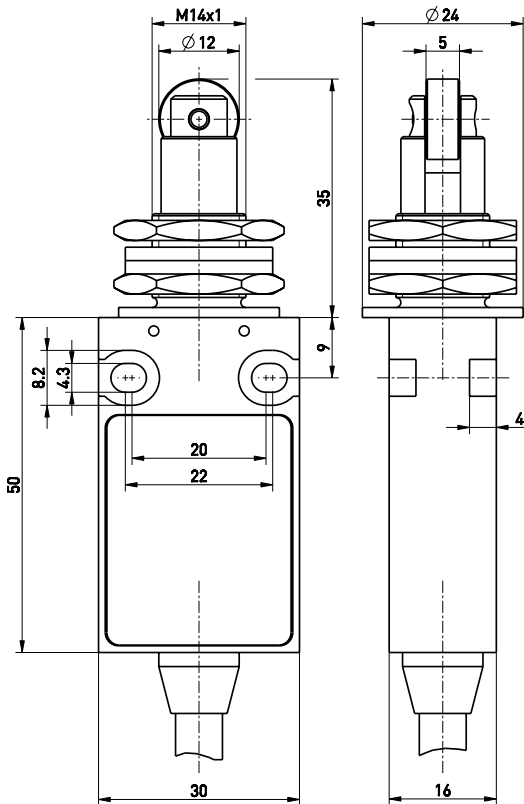
Features/Options:

- Thermoplastic enclosure
- Double insulated
- Mounting details to EN 50047
- With pre-wired cable, cable length 2 m
- Actuator: Roller plunger for front mounting FR
- Actuating speed max. 0.5 m/s with a vertical actuating angle of 25°
- Metal roller

Notes

- Actuator can be repositioned by 90° on request

Dimensions



Technical data

Standards	EN ISO 13849-1; EN 60947-5-1; EN ISO 14119
Switch type	type 1
Coding level	no coding
Enclosure	glass-fibre reinforced, shock-proof thermoplastic (PA 66), self-extinguishing UL 94-V0
Degree of protection	IP 67 to IEC/EN 60529
Contact material	silver
Switching system	slow action, positive break NC contacts \ominus
Switching elements	1 NC/1 NO contact, type Zb
Connection	pre-wired cable H05VV-F
Cable cross-section	4 x 0.75 mm ²
B _{10d} (10 % Load)	2 million
T _M	max. 20 years
U _{imp}	4 kV
U _i	250 V
I _{the}	6 A
I _e /U _e	6 A/250 VAC; 0.25 A/230 VDC
Utilisation category	AC-15; DC-13
Max. fuse rating	6 A gG/gN fuse
Ambient temperature	-20 °C ... +75 °C
Mechanical life	> 1 million operations
Operation cycles	1800/h



Position switch with safety function

ES 14 FR 1Ö/1S - 2m

Material number: 1189131 (Material number old: 14051006)

Technical data

Repeat accuracy of switching ± 0.1 mm points

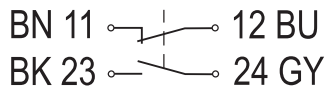
Contact opening max. 2 x 4 mm

Approvals



Weight 235 g

Contact diagram



Switching diagram

