



Position switch

E 12 W - 2m

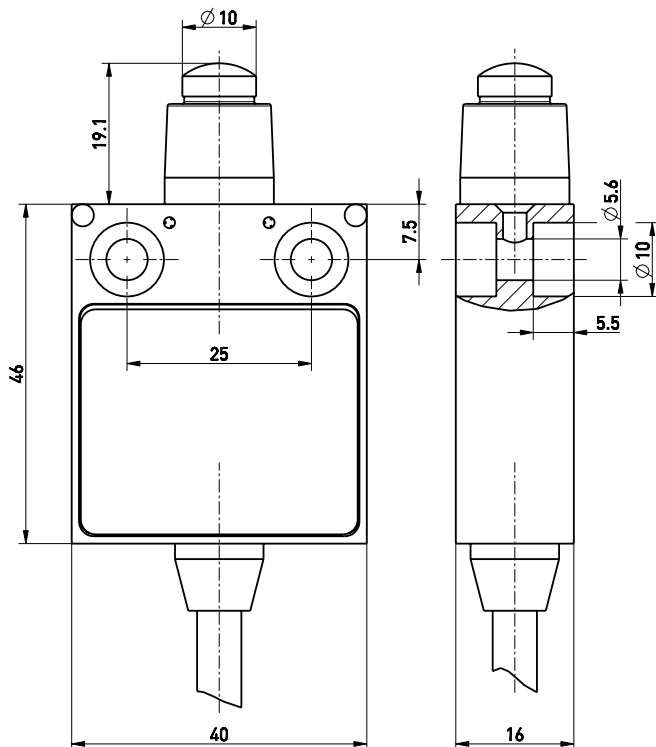
Material number: 1044242 (Material number old: 12702904)

Features/Options


- Metal enclosure
- Snap action, change-over contact with single break
- Suitable for in-line mounting
- With pre-wired cable, cable length 2 m

- Actuator: Plunger with collar W
- Actuating speed max. 0.5 m/s with a vertical actuating angle of 0°
- Watertight collar for protection against penetration of dirt

Dimensions



Technical data

Standards	EN 60947-5-1
Enclosure	aluminium die-cast, enamel finish
Degree of protection	IP 67 to IEC/EN 60529
Contact material	silver
Switching elements	change-over contact with single break
Switching system	snap action
Connection	pre-wired cable H05VV-F
Cable cross-section	4 x 0.75 mm ²
U _{imp}	4 kV
U _i	250 V
I _{the}	5 A
Utilisation category	AC-15; DC-13
I _e /U _e	5 A/250 VAC; 0.16 A/230 VDC
Max. fuse rating	5 A gG/gN fuse
Mechanical life	> 1 million operations
Operation cycles	1800/h
Ambient temperature	-20 °C ... +75 °C
Approvals	
Weight	160 g

Errors and omissions excepted.

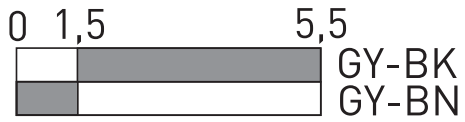


Position switch

E 12 W - 2m

Material number: 1044242 (Material number old: 12702904)

Switching diagram



Contact diagram

