

# Series AS

## How to Order



Body size 1

Body size 2/3/4

Port size

M5	M5 x 0.8
U10/32	10-32 UNF

Applicable tubing O.D. <sup>Note 1)</sup>

Metric size		Inch size	
02	ø2	01	ø1/8"
23	ø3.2 <sup>Note 2)</sup>	03	ø5/32"
04	ø4	07	ø1/4"
06	ø6		

Note 1) For selecting applicable tubing O.D., refer to Series Variations (Features 1). For metric size and inch size types can be visually identified by color of the release button.  
Metric size: White  
Inch size: Orange  
Note 2) Use ø1/8" tubing.

AS 1 2 0 1 F - M5 - 06 A

AS 2 2 0 1 F - 01 - 06 S A

Body size

1	M5 x 0.8 10-32 UNF
2	1/8, 1/4
3	3/8
4	1/2

Thread type

NII	R
N	NPT

Port size

01	1/8
02	1/4
03	3/8
04	1/2

Seal method

NII	Without sealant
S	With sealant

Control type <sup>Note 1)</sup>

0	Meter-out
1	Meter-in

Note) For meter-out and meter-in types can be visually identified by color of the handle.  
Meter-out: Gray  
Meter-in: Light blue

Applicable tubing O.D. <sup>Note 1)</sup>

Metric size		Inch size	
23	ø3.2 <sup>Note 2)</sup>	01	ø1/8"
04	ø4	03	ø5/32"
06	ø6	07	ø1/4"
08	ø8	09	ø5/16"
10	ø10	11	ø3/8"
12	ø12	13	ø1/2"
16	ø16		

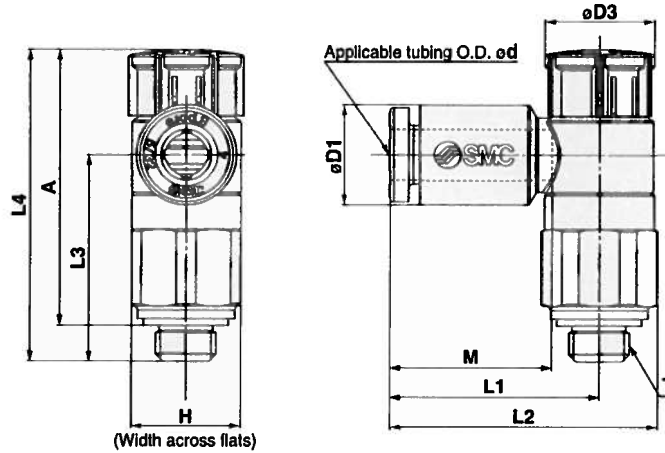
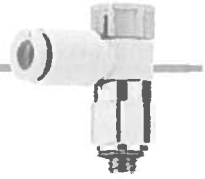
Note 1) For selecting applicable tubing O.D., refer to Series Variations (Features 1).  
Note 2) Use ø1/8" tubing.

Speed Controller with One-touch Fitting  
Elbow Type **Series AS**

Thread type: M5, 10-32 UNF

**Dimensions**

Seal method: Gasket seal  
Thread type: M5, 10-32 UNF



**Metric size**

Model	d	T	H	D1	D3	L1	L2	L3	L4 Note 1)		A Note 2)		M	Weight (g)					
									Unlock	Lock	Unlock	Lock							
AS12□1F-M5-02A	2	M5 x 0.8 10-32 UNF	9	5.8	9	15.8	20.6	16.9	26.5	25.4	23.5	22.4	11.9	5					
AS12□1F-U10/32-02A				7.2															
AS12□1F-M5-23A	3.2			7.2		17.2	22						26.5		25.4	23.5	22.4	13.3	
AS12□1F-U10/32-23A				8.2															
AS12□1F-M5-04A	4			8.2		18.6	23.4						16.5		26.5	25.4	23.5	22.4	13.3
AS12□1F-U10/32-04A	6			10.4															
AS12□1F-M5-06A	6	10.4	18.6	23.4	16.5	26.5	25.4	23.5	22.4	13.3									
AS12□1F-U10/32-06A	6	10.4	18.6	23.4	16.5	26.5	25.4	23.5	22.4	13.3									

Note 1) Reference dimensions

Note 2) Reference dimensions after installation of thread

**Inch size**

Model	d	T	H	D1	D3	L1	L2	L3	L4 Note 1)		A Note 2)		M	Weight (g)					
									Unlock	Lock	Unlock	Lock							
AS12□1F-M5-01A	1/8"	M5 x 0.8 10-32 UNF	9	7.2	9	17.2	22	16.9	26.5	25.4	23.5	22.4	13.3	5					
AS12□1F-U10/32-01A				8.2															
AS12□1F-M5-03A	5/32"			8.2		17.2	22						26.5		25.4	23.5	22.4	13.3	
AS12□1F-U10/32-03A				11.2															
AS12□1F-M5-07A	1/4"			11.2		18.6	23.4						16.5		26.5	25.4	23.5	22.4	13.3
AS12□1F-U10/32-07A				18.6															

Note 1) Reference dimensions

Note 2) Reference dimensions after installation of thread