

Pressure Gauge Guide

General Purpose Gauge/With Limit Indicator

G36 (DT type)/GA36 (AT type)

O.D.: $\phi 37$



G36-10-01

Standard Specifications

Model		G36	GA36
Type		DT type (Back side thread)	AT type (Vertical side thread)
Indication precision		$\pm 3\%$ F.S. (Full span)	
Material	Case	Rolled steel (Black melamine painted)	
	Clear cover	Poly-carbonate Part no. G36-00-00-3	
	Stud	Brass	
Applicable model	R(PT) $1/8$	AC2000/2500/3000 AR2000/2500/3000 AW2000/3000	

Model (Standard)

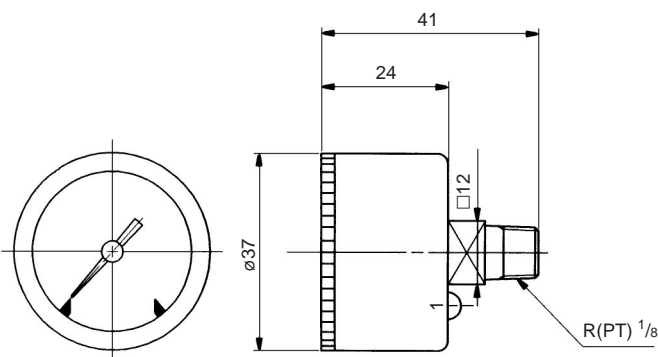
Model	Gauge range		Indication units	Connecting thread	Note
	MPa	kgf/cm ²			
G36-2-01	0 to 0.2	0 to 2	MPa kgf/cm ² Dual indication	R(PT) $1/8$	—
G36-4-01	0 to 0.4	0 to 4			
G36-7-01	0 to 0.7	0 to 7			
G36-10-01	0 to 1.0	0 to 10			
GA36-10-01	0 to 1.0	0 to 10			AT type

Model (Made to order)

Model	Gauge range			Indication unit	Connecting thread	Note
	MPa	kgf/cm ²	psi			
G36-2-01-X7	—	0 to 2	0 to 30	kgf/cm ² psi Dual indication	R(PT) $1/8$	—
G36-4-01-X7	—	0 to 4	0 to 60			
G36-7-01-X7	—	0 to 7	0 to 100			
G36-10-01-X7	—	0 to 10	0 to 150			
GA36-10-01-X7	—	0 to 10	0 to 150			
G36-10-01-X2	0 to 1.0	0 to 10	—	MPa Dual kgf/cm ² indication	R(PT) $1/8$	(Ni) plated stem
G36-15-01	0 to 1.5	0 to 15	—			—

Dimensions

G36(DT type)



GA36(At type)

