

3 Port Solenoid Valve

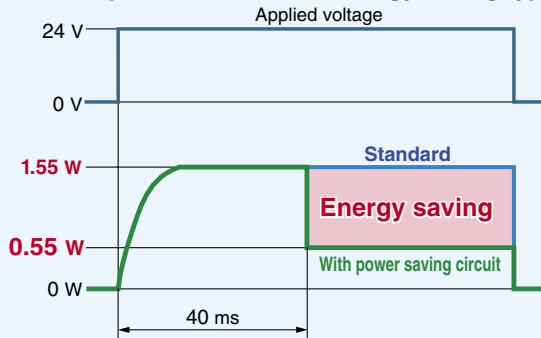
Reduced power consumption:

0.55 W [With power saving circuit]
1.55 W [Standard]
 (Conventional: 2.0 W) * With DC light

Power consumption reduced by power saving circuit.

Power consumption is decreased by approx. 1/3 by reducing the wattage required to hold the valve in an energized state. (effective energizing time is over 40 ms at 24 VDC.) Refer to electrical power waveform as shown below.

Electrical power waveform of energy saving type



Series VP300

Built-in full-wave rectifier (AC)

Noise reduction

Noise is considerably reduced by changing it to DC mode via a full-wave rectifier.

Reduced apparent power

Conventional: 5.6 VA → **1.55 VA**

Longer life expectancy: 50 million cycles or more

(Conventional: 20 million cycles) * Based on SMC test conditions

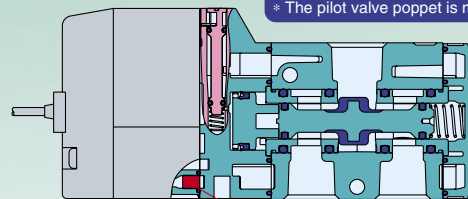
Built-in strainer in the pilot valve

Unexpected troubles due to foreign matter can be prevented.

Note) Be sure to mount an air filter on the inlet side.

Rubber material: HNBR
 Ozone-resistant specification

* The pilot valve poppet is made of FKM.



Strainer

Air Operated Valve

Series **VPA300/500/700**



Series **VP300/500/700**



RoHS compliant



CAT.EUS11-97A-UK

Model Selection by Operating Conditions ①

Solenoid Valve: Single Unit

	Series	Sonic conductance C [dm ³ /(s·bar)]	Type of actuation	Port size	Voltage	Electrical entry	Light/surge voltage suppressor	Manual override
Body ported	VP300	4.2	Internal pilot N.C. 	1/8 1/4		Grommet 		
	VP500	8.9	N.O. 	1/4 3/8		L-type plug connector 		Non-locking push type
	VP700	15.3	External pilot N.C./N.O. 	3/8 1/2	12 VDC 24 VDC 100 VAC 200 VAC 110 VAC 220 VAC 240 VAC (Note)	M-type plug connector DIN terminal 	DC ■ With surge voltage suppressor ■ With light/surge voltage suppressor ■ With surge voltage suppressor (Non-polar) ■ With light/surge voltage suppressor (Non-polar) AC ■ With light/surge voltage suppressor	Push-turn locking slotted type
Base mounted	VP300	3.8	Internal pilot N.C. 	1/8 1/4		DIN (EN1753 01-803) terminal 		
	VP500	8.8	N.O. 	1/4 3/8		Conduit terminal 		Push-turn locking lever type
	VP700	15.0	External pilot N.C. 	3/8 1/2				

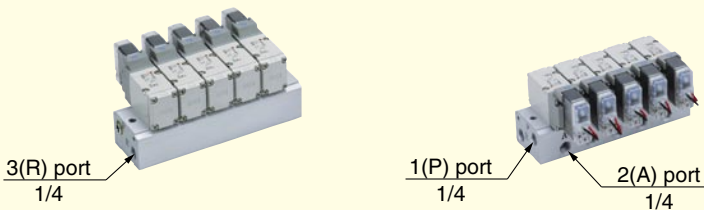
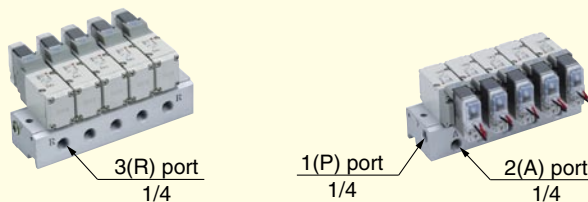
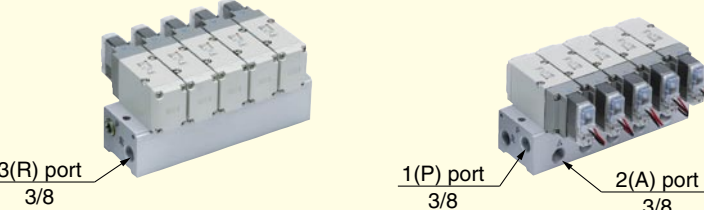
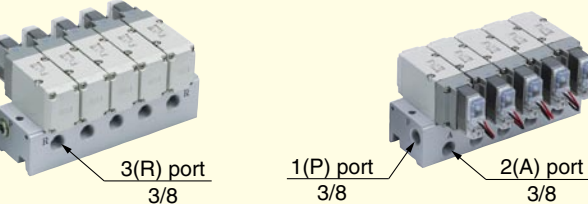
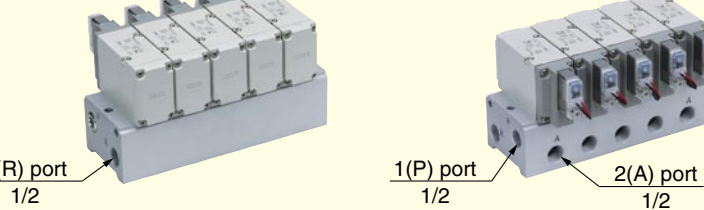
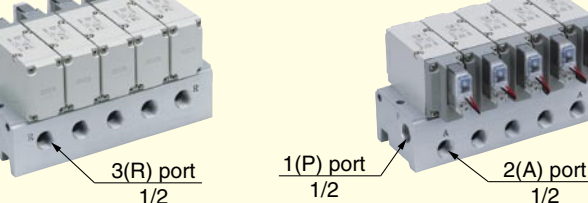
Note) Only DIN and conduit terminal types can be set for AC mode.

P. 1

P. 8

Model Selection by Operating Conditions ②

Solenoid Valve: Manifold

Series	EXH port type	Manifold base model	Applicable stations <small>(Note)</small>
VP300	Common EXH	VV3P3-41 	2 to 20 stations
	Individual EXH	VV3P3-42 	
VP500	Common EXH	VV3P5-41 	2 to 20 stations
	Individual EXH	VV3P5-42 	
VP700	Common EXH	VV3P7-41 	2 to 20 stations
	Individual EXH	VV3P7-42 	


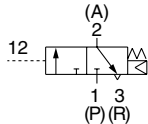

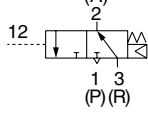

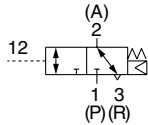

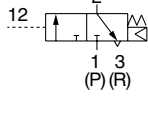

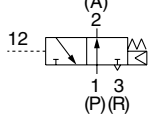
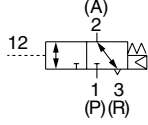

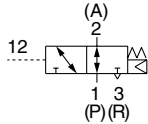
(Note) Supply pressure to 1(P) ports and exhaust air from 3(R) ports on both sides for 10 stations or more.

Solenoid valve
Base mounted

P. 15

Model Selection by Operating Conditions 3

Air Operated Valve: Single Unit

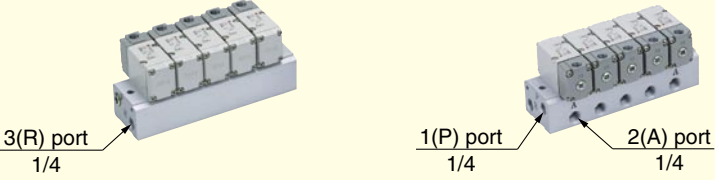
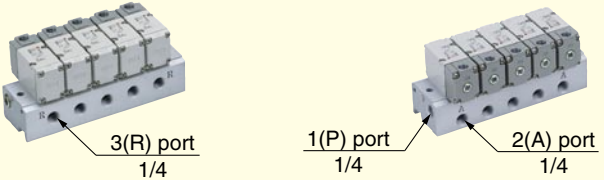
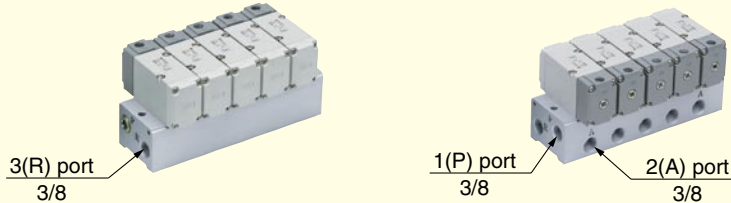
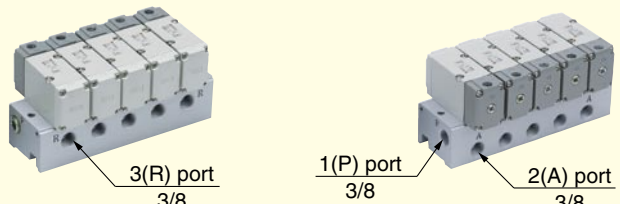
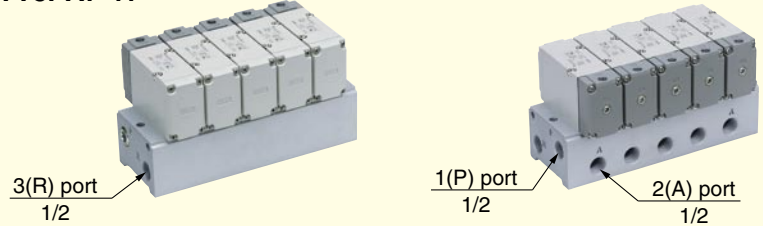
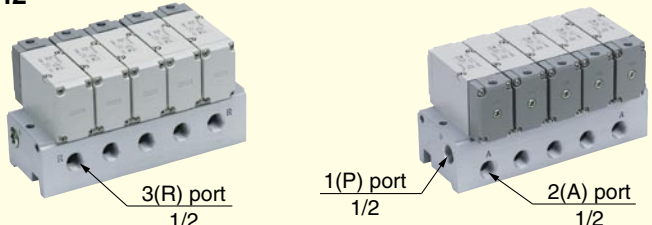
	Series	Sonic conductance C [dm ³ /(s·bar)]	Type of actuation	Port size	Voltage	Electrical entry	Light/surge voltage suppressor	Manual override	
Air operated valve	Body ported	VPA300 	N.C. 	1/8 1/4					
		VPA500 	8.9	N.O. 	1/4 3/8				
		VPA700 	15.3	For vacuum N.C./N.O. 	3/8 1/2				
	Base mounted	VPA300 	3.8	N.C. 	1/8 1/4	—	—	—	—
		VPA500 	8.8	N.O.  For vacuum N.C. 	1/4 3/8				
		VPA700 	15.0	N.O. 	3/8 1/2				

P. 25

P. 30

Model Selection by Operating Conditions 4

Air Operated Valve: Manifold

Series	EXH port type	Manifold base model	Applicable stations <small>(Note)</small>
VPA300	Common EXH	VV3PA3-41 	2 to 20 stations
	Individual EXH	VV3PA3-42 	
VPA500	Common EXH	VV3PA5-41 	2 to 20 stations
	Individual EXH	VV3PA5-42 	
VPA700	Common EXH	VV3PA7-41 	2 to 20 stations
	Individual EXH	VV3PA7-42 	

Air operated valve
Base mounted

P. 35

(Note) Supply pressure to 1(P) ports and exhaust air from 3(R) ports on both sides for 10 stations or more.

Rubber Seal 3 Port/Pilot Poppet Type Body Ported/Single Unit Series VP300/500/700

How to Order



Note) Only DIN and conduit terminal types are available for AC mode. Refer to the electrical entry for details.

Body ported

VP 3 4 2 [] [] [] - 5 G [] [] [] 1-01 [] A - [] - []

Series

3	VP300
5	VP500
7	VP700

Pilot type

—	Internal pilot
R	External pilot

Pressure specification

—	Standard (0.7 MPa)
K	High-pressure type (1.0 MPa)

Coil specification

—	Standard
T	With power saving circuit (DC only)

Note 1) Be sure to select the power saving circuit type when it is continuously energized for a long time. (Refer to back page 7 for details.)

Note 2) T type is only available for DC mode. When T is selected, only Z type of light/surge voltage suppressor is available. (Note that when the electrical entry of DIN terminal type without connector is selected, only DOS and YOS are available.)

Rated voltage

DC	
5	24 VDC
6	12 VDC

AC (50/60 Hz)

1	100 VAC
2	200 VAC
3	110 VAC [115 VAC]
4	220 VAC [230 VAC]
7	240 VAC

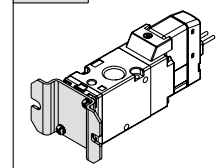
Note) Only DIN and conduit terminal types can be set for AC mode. Refer to the electrical entry for details.

Thread type

—	Rc
F	G
N	NPT
T	NPTF

Bracket

—	Without bracket
F	With bracket



Type of actuation

A	N.C. (Normally closed)
B	N.O. (Normally open)

Port size

Symbol	Port size	VP300	VP500	VP700
01	1/8	○	—	—
02	1/4	○	○	—
03	3/8	—	○	○
04	1/2	—	—	○

Made to Order

—	—
X500	Pilot exhaust port with piping thread (M3) specification (Refer to page 24).

Electrical entry

Grommet	L-type plug connector	M-type plug connector	DIN terminal	DIN (EN175301-803) terminal	Conduit terminal
G: Lead wire length 300 mm H: Lead wire length 600 mm	L: With lead wire (length 300 mm)	M: With lead wire (length 300 mm)	D: With connector	Y: With connector	T: Conduit terminal
G: Lead wire length 300 mm H: Lead wire length 600 mm DC Without light/surge voltage suppressor	LN: Without lead wire	MN: Without lead wire	DO: Without connector	YO: Without connector	

Note 1) LN and MN types are with 2 sockets.
Note 2) Refer to back page 4 when different length of lead wire for L/M-type plug connector is required.
Note 3) Refer to back page 5 for details on the DIN (EN175301-803) terminal.
Note 4) The AC mode of G, H, L and M types are not CE compliant.

Manual override

—: Non-locking push type	D: Push-turn locking slotted type	E: Push-turn locking lever type

Light/surge voltage suppressor

	DC	AC
—	Without light/surge voltage suppressor	○ ○
S	With surge voltage suppressor	○ — ^{Note 1)}
Z	With light/surge voltage suppressor	○ ○
R	With surge voltage suppressor (Non-polar)	○ —
U	With light/surge voltage suppressor (Non-polar)	○ —

Note 1) There is no S option for AC mode, since a rectifier prevents surge voltage generation.

Note 2) In the DIN terminal type, since a light is installed in the connector, DOZ, DOU, YOZ, YOU are not available.

Caution

When using the surge voltage suppressor type, residual voltage will remain. Refer to back page 7 for details.

Pilot Poppet Type Body Ported/Single Unit *Series VP300/500/700*

Low power consumption 1.5 W (DC)
Possible to use as either a selector or divider valve
Possible to change from N.C. to N.O.



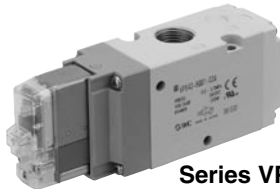
• Refer to back page 8 for changing the type of actuation.

Possible to use in vacuum applications

Up to -100 kPa



Series VP300



Series VP500



Series VP700

External Pilot

Use external pilot type in the following cases:

- For vacuum or for low pressure: 0.2 MPa or less.
- Please consult SMC for use in a vacuum hold application.
- When having P port downsized in diameter
- When using A port as the atmospheric releasing port, e.g. air blower.



Made to Order
(Refer to page 24 for details.)

X500

Pilot exhaust port with piping thread (M3) specification

Specifications

Fluid		Air
Type of actuation		N.C. or N.O. (Convertible)
Internal pilot Operating pressure range (MPa)	Standard	0.2 to 0.7
	High-pressure type	0.2 to 1.0
External pilot Operating pressure range (MPa)	Standard	-100 kPa to 0.7
	High-pressure type	-100 kPa to 1.0
	Pilot pressure range	Same as operating pressure (Min. 0.2 MPa)
Ambient and fluid temperature (°C)		-10 to 50 (No freezing)
Max. operating frequency (Hz)		5
Manual override		Non-locking push type Push-turn locking slotted type Push-turn locking lever type
Pilot exhaust type		Individual exhaust
Lubrication		Not required
Mounting orientation		Unrestricted
Impact/Vibration resistance (m/s ²) ^{Note}		300/50
Enclosure		Dust-tight (IP65 for D, Y, T)

Note) Impact resistance: No malfunction occurred when it is tested in the axial direction and at the right angles to the main valve and armature in both energized and de-energized states every once for each condition. (Values at the initial period)

Vibration resistance: No malfunction occurred in a one-sweep test between 45 and 2000 Hz. Test was performed at both energized and de-energized states in the axial direction and at the right angles to the main valve and armature. (Values at the initial period)

Solenoid Specifications

Electrical entry	Grommet (G), (H) L-type plug connector (L) M-type plug connector (M)		DIN terminal (D) DIN (EN175301-803) terminal (Y) Conduit terminal (T)
	G, H, L, M		D, Y, T
Coil rated voltage (V)	DC	24, 12	
	AC (50/60 Hz)	100, 110, 200, 220, 240	
Allowable voltage fluctuation		±10% of rated voltage*	
Power consumption (W)	DC	Standard	1.5 (With light: 1.55)
		With power saving circuit	0.55 (With light only)
Apparent power (VA) ^{Note 1)}	AC	100 V	1.55 (With light: 1.65)
		110 V	
		[115 V]	
		200 V	
		[230 V]	
240 V	1.55 (With light: 1.7)		
Surge voltage suppressor		Diode (Non-polar type: Varistor)	
Indicator light		LED (Neon bulb is used for AC mode of D, Y, T.)	

Note 1) It is in common between 110 VAC and 115 VAC, and between 220 VAC and 230 VAC.

Note 2) Allowable voltage fluctuation is -15% to +5% of the rated voltage for 115 VAC or 230 VAC.

Note 3) Since voltage drops due to the internal circuit in S, Z, T types (with power saving circuit), the allowable voltage fluctuation should be within the following range.

24 VDC: -7% to +10%

12 VDC: -4% to +10%

Response Time

Model	Pressure specifications	Response time ms (at 0.5 MPa)			
		Without light/surge voltage suppressor	With light/surge voltage suppressor		AC
	S, Z type		R, U type		
VP342	Standard (0.2 to 0.7)	13 or less	38 or less	16 or less	38 or less
	High-pressure type (0.2 to 1.0)	17 or less	42 or less	20 or less	42 or less
VP542	Standard (0.2 to 0.7)	14 or less	39 or less	17 or less	39 or less
	High-pressure type (0.2 to 1.0)	18 or less	43 or less	21 or less	43 or less
VP742	Standard (0.2 to 0.7)	19 or less	44 or less	22 or less	44 or less
	High-pressure type (0.2 to 1.0)	22 or less	47 or less	25 or less	47 or less

Note) Based on dynamic performance test, JIS B 8375-1981. (Coil temperature: 20°C, at rated voltage)

Series VP300/500/700

Flow Characteristics/Mass

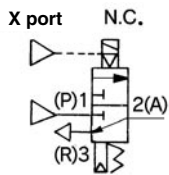
Model	Port size	1 ↔ 2 (P ↔ A)				2 ↔ 3 (A ↔ R)				Mass (g) ^{Note 1)}	
		C [dm ³ /(s·bar)]	b	Cv	Q [l/min] (ANR) ^{Note 2)}	C [dm ³ /(s·bar)]	b	Cv	Q [l/min] (ANR) ^{Note 2)}	Grommet	DIN terminal
VP342	1/8	3.5	0.26	0.8	868	3.6	0.26	0.9	893	149	185
	1/4	4.2	0.22	1.0	1018	4.2	0.23	1.0	1023	145	181
VP542	1/4	7.9	0.21	1.8	1903	7.2	0.27	1.8	1797	249	285
	3/8	8.9	0.16	2.2	2085	8.9	0.20	2.1	2132	241	277
VP742	3/8	11.9	0.21	2.7	2867	11.8	0.20	2.7	2826	484	520
	1/2	15.1	0.21	3.6	3637	15.3	0.22	3.7	3707	467	503

Note 1) Values without bracket

Note 2) These valves have been calculated according to ISO6358 and indicate the flow rate under standard conditions with an inlet pressure of 0.6 MPa (relative pressure) and a pressure drop of 0.1 MPa.

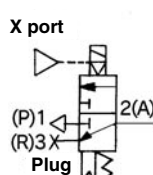
Application Example

(1) Blow-off valve



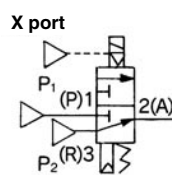
External pilot

(2) Pressure release valve



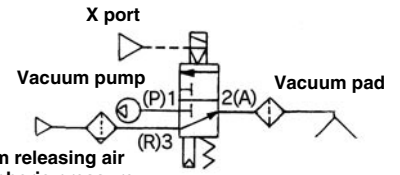
External pilot

(3) Selector valve



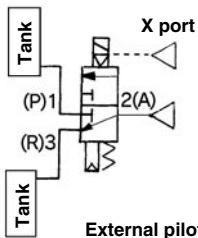
External pilot

(4) Valve for vacuum



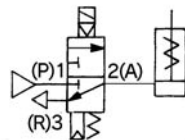
Vacuum releasing air
Atmospheric pressure
or micro pressure

(5) Divider valve

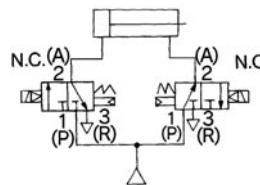


External pilot

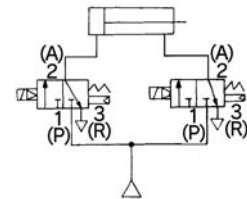
(6) Single-acting cylinder drive



(7) Double-acting cylinder drive



(8) Double-acting cylinder drive (Exhaust centre)

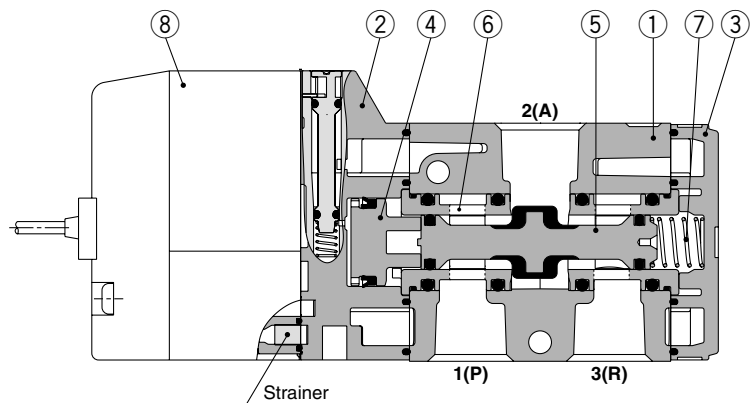


Construction

Body ported

JIS symbol

Pilot type	N.C.	N.O.
Internal pilot		
External pilot		



Component Parts

No.	Description	Material	Note
1	Body	Aluminum die-casted	White
2	Adapter plate	Resin	Grey
3	End plate	Resin	White
4	Piston	Resin	
5	Spool valve	Aluminum/HNBR	
6	Retainer	Resin	
7	Spring	Stainless steel	

Bracket Assembly Part No.

Description	Model	Part no.
Bracket (With 2 screws)	VP342	VP300-227-1A
	VP542	VP500-227-1A
	VP742	VP700-227-1A

Replacement Parts

No.	Description	Part no.	Note
8	Pilot valve assembly	Refer to "How to Order Pilot Valve Assembly" on page 4.	Built-in strainer

How to Order Pilot Valve Assembly

⚠ Caution

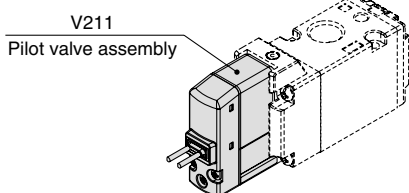
When only the pilot valve assembly is replaced, it is not possible to change from V211 (Grommet or L/M-type) to V212 (DIN or Conduit type), or vice versa.

Valve model: VP□□□ □□ - 5 G Z □ 1 - □□□

Note) Select from the below in accordance with the valve used.

■ Grommet or L/M-type

V 2 1 1 □□ - 5 G Z



● Light/surge voltage suppressor

		DC	AC
—	Without light/surge voltage suppressor	○	○
S	With surge voltage suppressor	○	— ^{Note)}
Z	With light/surge voltage suppressor	○	○
R	With surge voltage suppressor (Non-polar)	○	—
U	With light/surge voltage suppressor (Non-polar)	○	—

Note) There is no S option for AC mode, since a rectifier prevents surge voltage generation. When T is selected, only Z type of light/surge voltage suppressor is available.

⚠ Caution

When using the surge voltage suppressor type, residual voltage will remain. Refer to back page 7 for details.

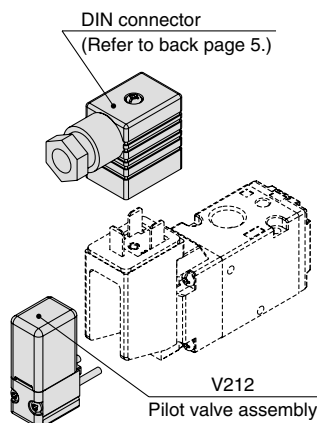
● Electrical entry

G	Grommet (Lead wire length 300 mm)	
H	Grommet (Lead wire length 600 mm)	
L	L-type plug connector	With lead wire
LN		Without lead wire
LO	M-type plug connector	Without connector
M		With lead wire
MN		Without lead wire
MO		Without connector

Note 1) LN and MN types are with 2 sockets.

Note 2) Refer to back page 4 when different length of lead wire for L/M-type plug connector is required.

■ DIN or Conduit type



V 2 1 2 □□ - 5

● Pressure specification

—	Standard (0.7 MPa)
K	High-pressure type (1.0 MPa)

● Coil specification

—	Standard
T	With power saving circuit (DC only)

Note) T type is only available for DC mode.

● Rated voltage

DC

5	24 VDC
6	12 VDC

AC (50/60 Hz)

1	100 VAC
2	200 VAC
3	110 VAC [115 VAC]
4	220 VAC [230 VAC]
7	240 VAC

⚠ Caution

For V212 (DIN or Conduit type), the coil specification and voltage (including light/surge voltage suppressor) cannot be changed by changing the pilot valve assembly.

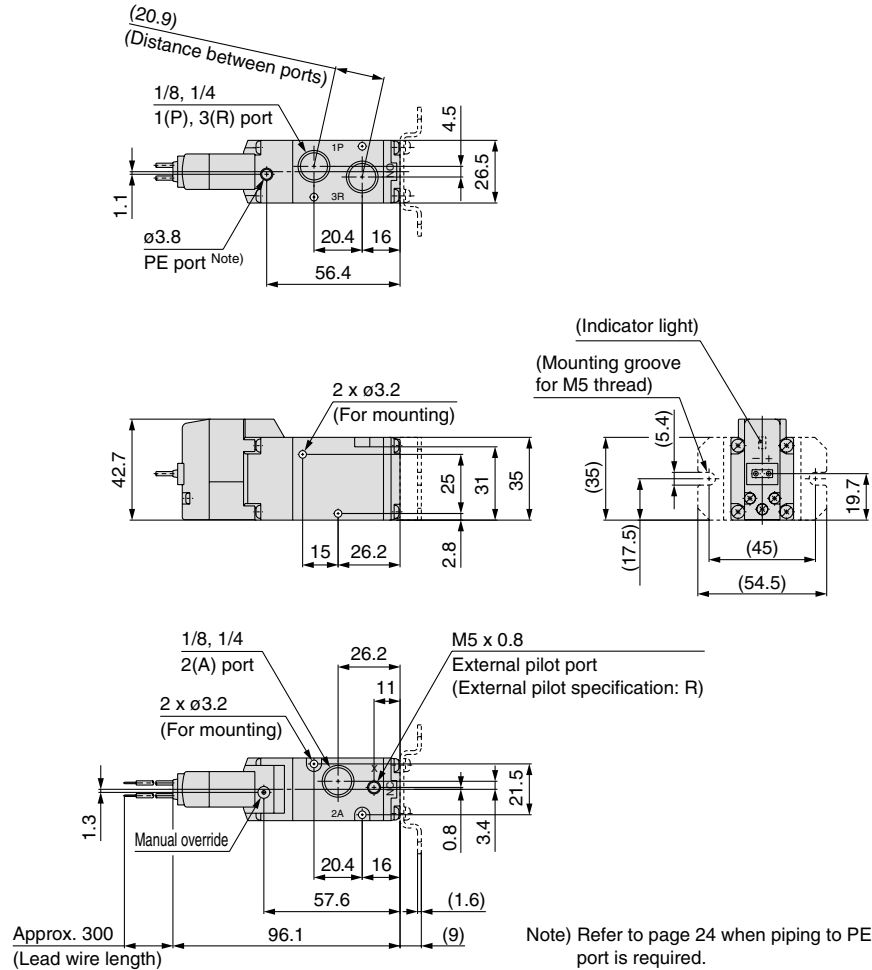
⚠ Caution

Tightening torque of the pilot valve assembly mounting screw
M2.5: 0.32 N·m

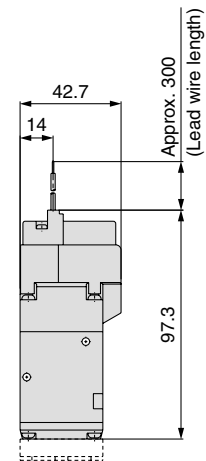
Series VP300/500/700

Series VP300/Body Ported/Dimensions

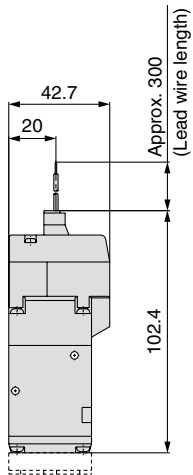
Grommet (G)



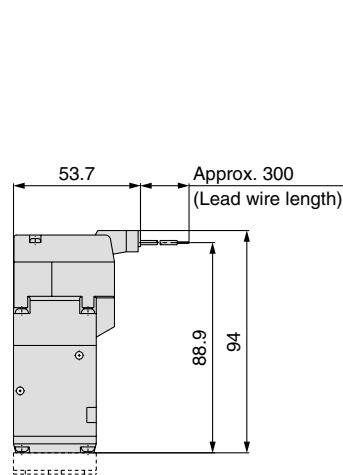
Grommet (G) DC without light/surge voltage suppressor



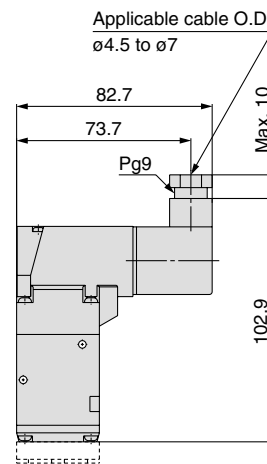
L-type plug connector (L)



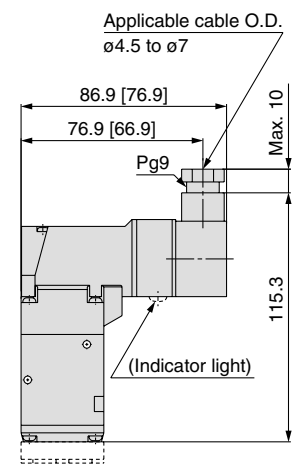
M-type plug connector (M)



DIN terminal (D, Y)



Conduit terminal (T)

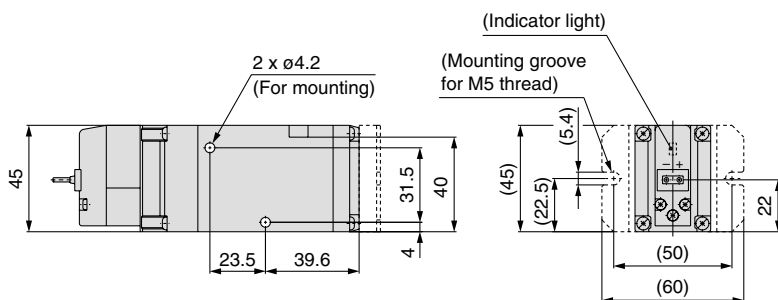
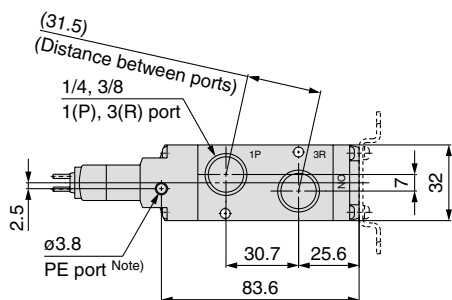


[] valves: Without indicator light

Unless otherwise indicated, dimensions are the same as Grommet (G).

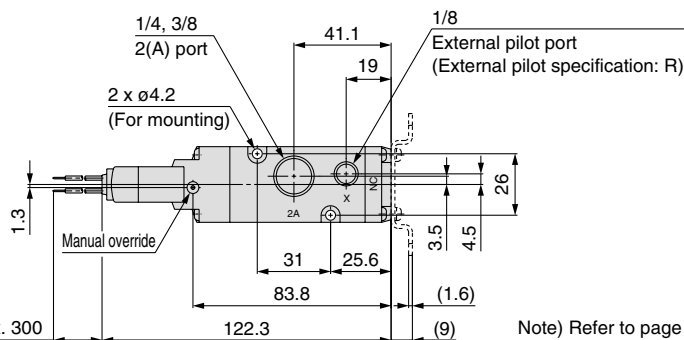
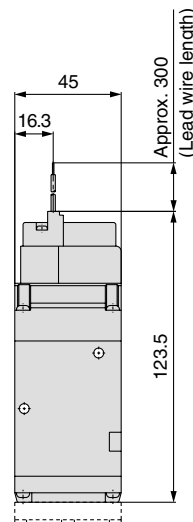
Series VP500/Body Ported/Dimensions

Grommet (G)



Grommet (G)

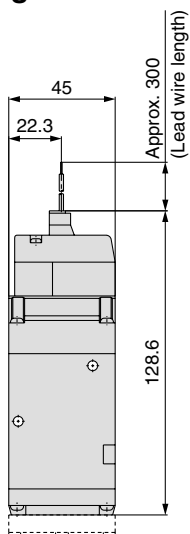
DC without light/surge voltage suppressor



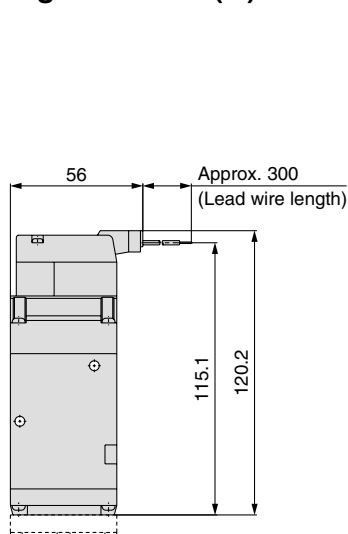
Approx. 300
(Lead wire length)

Note) Refer to page 24 when piping to PE port is required.

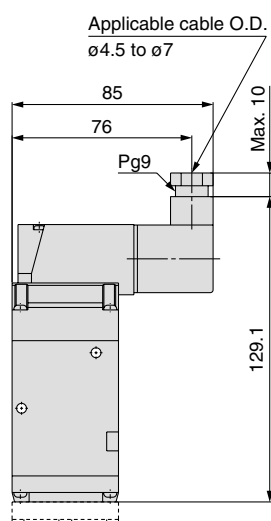
L-type plug connector (L)



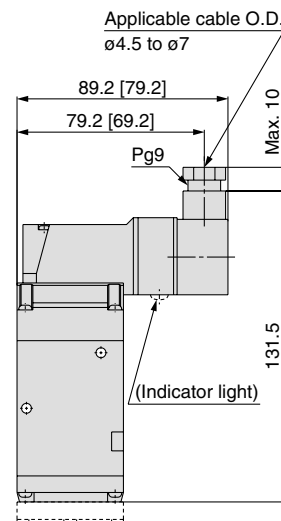
M-type plug connector (M)



DIN terminal (D, Y)



Conduit terminal (T)



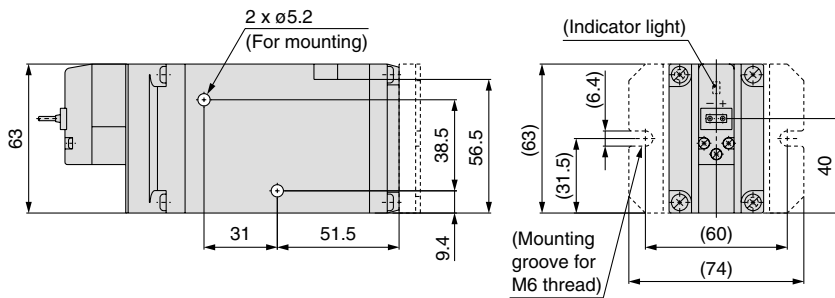
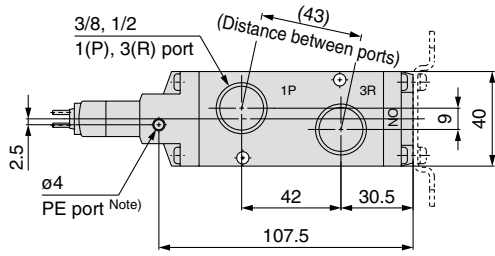
[] valves: Without indicator light

Unless otherwise indicated, dimensions are the same as Grommet (G).

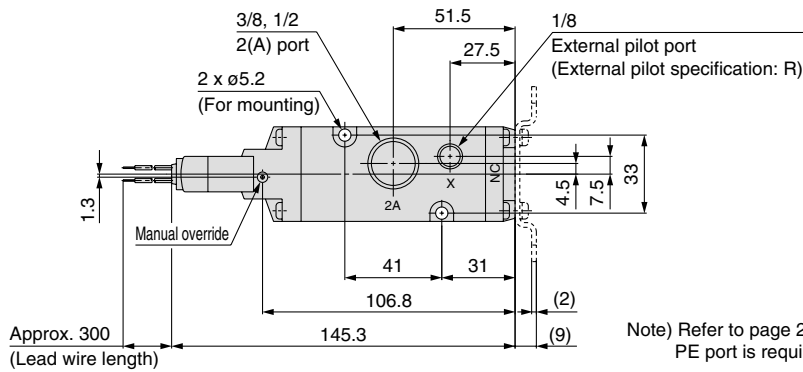
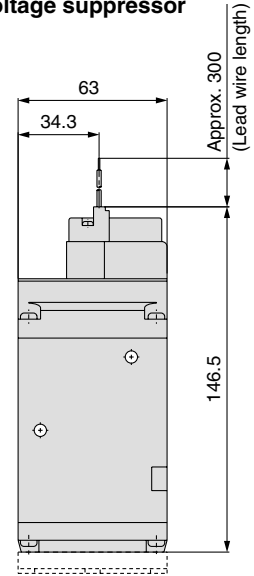
Series VP300/500/700

Series VP700/Body Ported/Dimensions

Grommet (G)

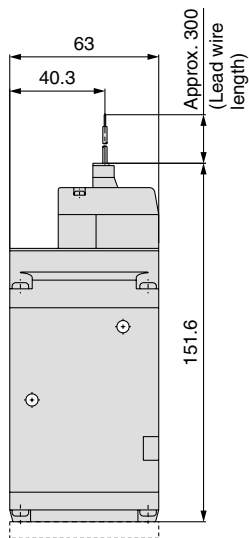


Grommet (G) DC without light/surge voltage suppressor

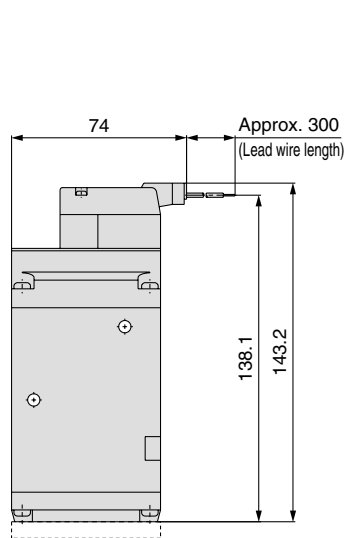


Note) Refer to page 24 when piping to PE port is required.

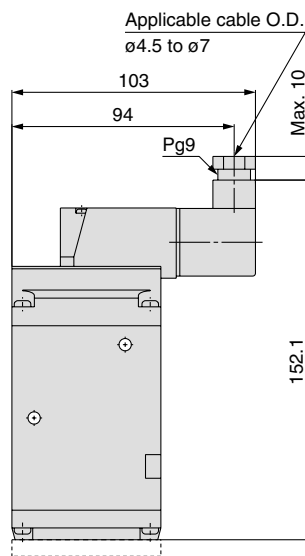
L-type plug connector (L)



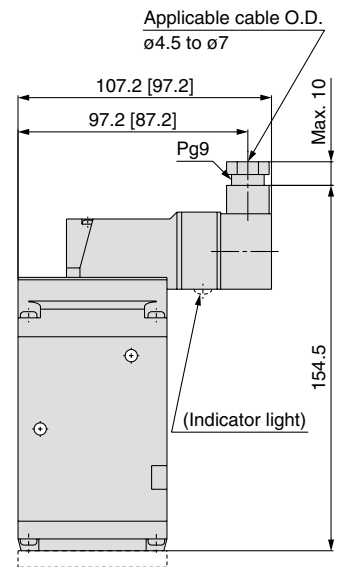
M-type plug connector (M)



DIN terminal (D, Y)



Conduit terminal (T)



[] valves: Without indicator light

Unless otherwise indicated, dimensions are the same as Grommet (G).

Rubber Seal 3 Port/Pilot Poppet Type Base Mounted/Single Unit

Series VP300/500/700

How to Order



Note) Only DIN and conduit terminal types are available for AC mode. Refer to the electrical entry for details.

Base mounted

VP 3 4 4 - 5 G 1 - A -

Series

3	VP300
5	VP500
7	VP700

Pilot type

—	Internal pilot
R	External pilot

Pressure specification

—	Standard (0.7 MPa)
K	High-pressure type (1.0 MPa)

Coil specification

—	Standard
T	With power saving circuit (DC only)

Note 1) Be sure to select the power saving circuit type when it is continuously energized for a long time. (Refer to back page 7 for details.)

Note 2) T type is only available for DC mode. When T is selected, only Z type of light/surge voltage suppressor is available. (Note that when the electrical entry of DIN terminal type without connector is selected, only DOS and YOS are available.)

Rated voltage

DC	
5	24 VDC
6	12 VDC

AC (50/60 Hz)

1	100 VAC
2	200 VAC
3	110 VAC [115 VAC]
4	220 VAC [230 VAC]
7	240 VAC

Note) Only DIN and conduit terminal types can be set for AC mode. Refer to the electrical entry for details.

Type of actuation

A	N.C. (Normally closed)
B	N.O. (Normally open)

Thread type

—	Rc
F	G
N	NPT
T	NPTF

Made to Order

—	—
X500	Pilot exhaust port with piping thread (M3) specification (Refer to page 24).

Port size (Sub-plate)

Symbol	Port size	VP300	VP500	VP700
—	Without sub-plate*			
01	1/8	○	—	—
02	1/4	○	○	—
03	3/8	—	○	○
04	1/2	—	—	○

Note) With a gasket and two mounting bolts.

Electrical entry

Grommet	L-type plug connector	M-type plug connector	DIN terminal	DIN (EN175301-803) terminal	Conduit terminal
G: Lead wire length 300 mm H: Lead wire length 600 mm	L: With lead wire (length 300 mm)	M: With lead wire (length 300 mm)	[IP65 compatible]	[IP65 compatible]	[IP65 compatible]
			D: With connector	Y: With connector	T: Conduit terminal
G: Lead wire length 300 mm H: Lead wire length 600 mm DC Without light/surge voltage suppressor	LN: Without lead wire	MN: Without lead wire	DO: Without connector	YO: Without connector	

Note 1) LN and MN types are with 2 sockets.

Note 2) Refer to back page 4 when different length of lead wire for L/M-type plug connector is required.

Note 3) Refer to back page 5 for details on the DIN (EN175301-803) terminal.

Note 4) The AC mode of G, H, L and M types are not CE compliant.

Manual override

—: Non-locking push type	D: Push-turn locking slotted type	E: Push-turn locking lever type

Light/surge voltage suppressor

	DC	AC
—	Without light/surge voltage suppressor	○ ○
S	With surge voltage suppressor	○ ○ ^{Note 1)}
Z	With light/surge voltage suppressor	○ ○
R	With surge voltage suppressor (Non-polar)	○ —
U	With light/surge voltage suppressor (Non-polar)	○ —

Note 1) There is no S option for AC mode, since a rectifier prevents surge voltage generation.

Note 2) In the DIN terminal type, since a light is installed in the connector, DOZ, DOU, YOZ, YOU are not available.

⚠ Caution

When using the surge voltage suppressor type, residual voltage will remain. Refer to back page 7 for details.

Series VP300/500/700

Low power consumption 1.5 W (DC)

Possible to use as either a selector or divider valve

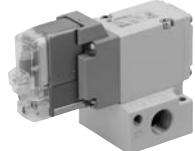
Possible to change from N.C. to N.O.



• Refer to back page 8 for changing the type of actuation.

Possible to use in vacuum applications

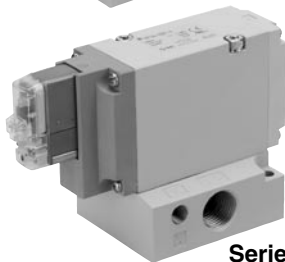
Up to -100 kPa



Series VP300



Series VP500



Series VP700

External Pilot

Use external pilot type in the following cases:

- For vacuum or for low pressure 0.2 MPa or less
- Please consult with SMC for use in a vacuum hold application.
- When having P port downsized in diameter
- When using A port as the atmospheric releasing port, e.g. air blower
- If manifold, external pilot piping can be centralized in manifold base.



Made to Order
(Refer to page 24 for details.)

X500

Pilot exhaust port with piping thread (M3) specification

Specifications

Fluid		Air
Type of actuation		N.C. or N.O. (Convertible)
Internal pilot	Standard	0.2 to 0.7
	High-pressure type	0.2 to 1.0
External pilot	Standard	-100 kPa to 0.7
	High-pressure type	-100 kPa to 1.0
	Pilot pressure range	Same as operating pressure (Min. 0.2 MPa)
Ambient and fluid temperature (°C)		-10 to 50 (No freezing)
Max. operating frequency (Hz)		5
Manual override		Non-locking push type Push-turn locking slotted type Push-turn locking lever type
Pilot exhaust type		Individual exhaust
Lubrication		Not required
Mounting orientation		Unrestricted
Impact/Vibration resistance (m/s ²) ^{Note}		300/50
Enclosure		Dust-tight (IP65 for D, Y, T)

Note) Impact resistance: No malfunction occurred when tested in both the axial and right angle directions of main valve and armature (tested in both energized and de-energized states). (Values at the initial period).

Vibration resistance: No malfunction occurred when tested in a one-sweep test between 45 and 2000 Hz, in both the axial and right angle directions of main valve and armature (tested in both energized and de-energized states). (Values at the initial period).

Solenoid Specifications

Electrical entry	Grommet (G), (H)		DIN terminal (D)	
	L-type plug connector (L) M-type plug connector (M)		DIN (EN175301-803) terminal (Y) Conduit terminal (T)	
		G, H, L, M	D, Y, T	
Coil rated voltage (V)	DC	24, 12		
	AC (50/60 Hz)	100, 110, 200, 220, 240		
Allowable voltage fluctuation		±10% of rated voltage ^{Notes}		
Power consumption (W)	DC	Standard	1.5 (With light: 1.55)	
		With power saving circuit	0.55 (With light only)	
Apparent power (VA) ^{Notes}	AC	100 V	1.55 (With light: 1.65)	
		110 V		
		[115 V]		
		200 V		1.55 (With light: 1.7)
		220 V		
		[230 V]		
240 V				
Surge voltage suppressor		Diode (Non-polar type: Varistor)		
Indicator light		LED (Neon bulb is used for AC mode of D, Y, T.)		

Note 1) It is in common between 110 VAC and 115 VAC, and between 220 VAC and 230 VAC.

Note 2) Allowable voltage fluctuation is -15% to +5% of the rated voltage for 115 VAC or 230 VAC.

Note 3) Since voltage drops due to the internal circuit in S, Z, T types (with power saving circuit), the allowable voltage fluctuation should be within the following range.

24 VDC: -7% to +10%

12 VDC: -4% to +10%

Response Time

Model	Pressure specifications	Response time ms (at 0.5 MPa)			
		Without light/surge voltage suppressor	With light/surge voltage suppressor		AC
			S, Z type	R, U type	
VP344	Standard (0.2 to 0.7)	13 or less	38 or less	16 or less	38 or less
	High-pressure type (0.2 to 1.0)	17 or less	42 or less	20 or less	42 or less
VP544	Standard (0.2 to 0.7)	14 or less	39 or less	17 or less	39 or less
	High-pressure type (0.2 to 1.0)	18 or less	43 or less	21 or less	43 or less
VP744	Standard (0.2 to 0.7)	19 or less	44 or less	22 or less	44 or less
	High-pressure type (0.2 to 1.0)	22 or less	47 or less	25 or less	47 or less

Note) Based on dynamic performance test, JIS B 8375-1981. (Coil temperature: 20°C, at rated voltage)

Pilot Poppet Type Base Mounted/Single Unit *Series VP300/500/700*

Flow Characteristics/Mass

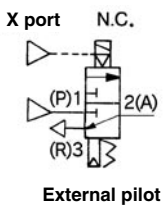
Model	Port size	1 ↔ 2 (P ↔ A)				2 ↔ 3 (A ↔ R)				Mass (g) ^{Note 1)}	
		C [dm ³ /(s·bar)]	b	Cv	Q [ℓ/min] (ANR) ^{Note 2)}	C [dm ³ /(s·bar)]	b	Cv	Q [ℓ/min] (ANR) ^{Note 2)}	Grommet	DIN terminal
VP344	1/8	3.6	0.22	0.8	872	3.5	0.24	0.8	858	216 (149)	252 (185)
	1/4	3.9	0.22	0.9	945	3.8	0.14	0.9	881	211 (149)	247 (185)
VP544	1/4	7.5	0.16	1.7	1757	7.3	0.20	1.7	1749	370 (245)	406 (281)
	3/8	8.8	0.07	2.0	1967	8.8	0.13	2.0	2029	362 (245)	398 (281)
VP744	3/8	12.9	0.10	2.9	2929	13.3	0.24	3.1	3260	676 (459)	712 (495)
	1/2	14.7	0.05	3.3	3256	15.0	0.17	3.4	3534	658 (459)	694 (495)

Note 1) () valves: Values without sub-plate

Note 2) These valves have been calculated according to ISO6358 and indicate the flow rate under standard conditions with an inlet pressure of 0.6 MPa (relative pressure) and a pressure drop of 0.1 MPa.

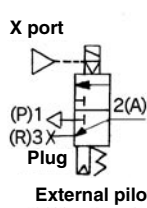
Application Example

(1) Blow-off valve



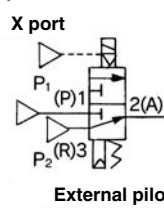
External pilot

(2) Pressure release valve



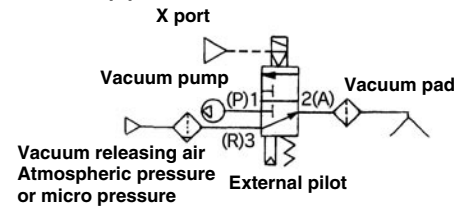
External pilot

(3) Selector valve



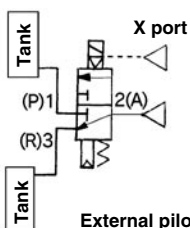
External pilot

(4) Valve for vacuum



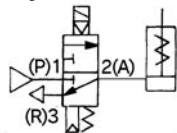
Vacuum releasing air
Atmospheric pressure
or micro pressure

(5) Divider valve

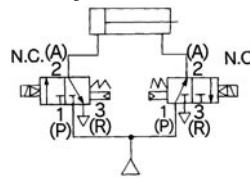


External pilot

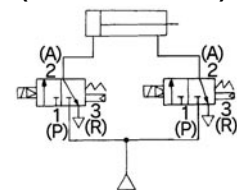
(6) Single-acting cylinder drive



(7) Double-acting cylinder drive



(8) Double-acting cylinder drive (Exhaust centre)



Construction

Base mounted

JIS symbol

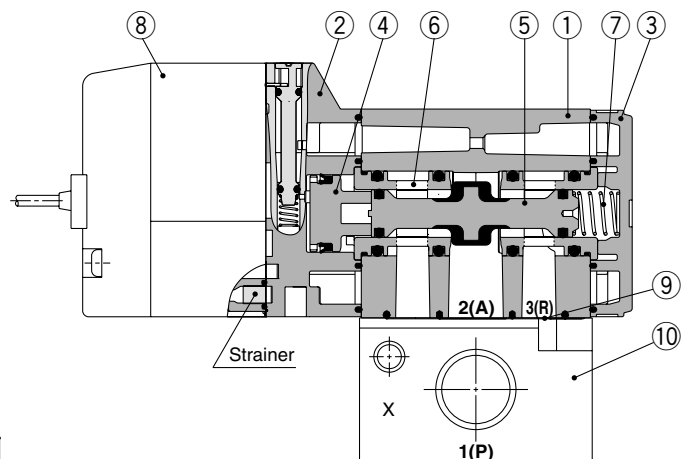
Pilot type	N.C.	N.O.
Internal pilot		
External pilot		

Component Parts

No.	Description	Material	Note
1	Body	Aluminum die-casted	White
2	Adapter plate	Resin	Grey
3	End plate	Resin	White
4	Piston	Resin	
5	Spool valve	Aluminum/HNBR	
6	Retainer	Resin	
7	Spring	Stainless steel	

Replacement Parts

No.	Description	Part no.			Note
		VP344	VP544	VP744	
8	Pilot valve assembly	Refer to "How to Order Pilot Valve Assembly" on page 11.			Built-in strainer
9	Gasket	VP300-217-1	VP500-217-1	VP700-217-1	HNBR
10	Sub-plate	VP300-202-□	VP500-202-□	VP700-202-□	Aluminum die-casted
—	Hexagon socket head bolt (1 pc.)	VP300-224-1 (M3 x 36)	VP500-224-1 (M4 x 46)	VP700-224-1 (M5 x 66)	For valve mounting



How to Order Sub-plate

VP 3 00 - 202 - 1

Series

3	VP344
5	VP544
7	VP744

Thread type

Nil	Rc
F	G
N	NPT
T	NPTF

Port size

Symbol	VP344	VP544	VP744
1	1/8	1/4	3/8
2	1/4	3/8	1/2

Caution

Tightening Torque of Mounting Screw

M3: 0.8 N·m
M4: 1.4 N·m
M5: 2.9 N·m

Series VP300/500/700

How to Order Pilot Valve Assembly

⚠ Caution

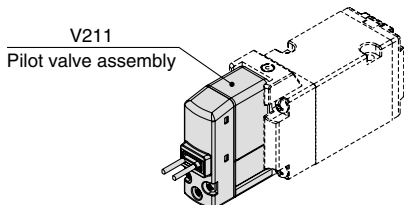
When only the pilot valve assembly is replaced, it is not possible to change from V211 (Grommet or L/M-type) to V212 (DIN or Conduit type), or vice versa.

Valve model: VP□□□ □□ - 5 G Z □ 1 - □□□

Note) Select from the below in accordance with the valve used.

■ Grommet or L/M-type

V 2 1 1 □□ - 5 G Z



● Light/surge voltage suppressor

		DC	AC
—	Without light/surge voltage suppressor	○	○
S	With surge voltage suppressor	○	— ^{Note)}
Z	With light/surge voltage suppressor	○	○
R	With surge voltage suppressor (Non-polar)	○	—
U	With light/surge voltage suppressor (Non-polar)	○	—

Note) There is no S option for AC mode, since a rectifier prevents surge voltage generation. When T is selected, only Z type of light/surge voltage suppressor is available.

⚠ Caution

When using the surge voltage suppressor type, residual voltage will remain. Refer to back page 7 for details.

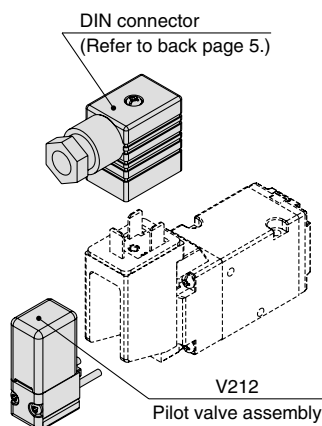
● Electrical entry

G	Grommet (Lead wire length 300 mm)	
H	Grommet (Lead wire length 600 mm)	
L	L-type plug connector	With lead wire
LN		Without lead wire
LO		Without connector
M	M-type plug connector	With lead wire
MN		Without lead wire
MO		Without connector

Note 1) LN and MN types are with 2 sockets.

Note 2) Refer to back page 4 when different length of lead wire for L/M-type plug connector is required.

■ DIN or Conduit type



V 2 1 2 □□ - 5

● Pressure specification

—	Standard (0.7 MPa)
K	High-pressure type (1.0 MPa)

● Coil specification

—	Standard
T	With power saving circuit (DC only)

Note) T type is only available for DC mode.

● Rated voltage

DC	
5	24 VDC
6	12 VDC

AC (50/60 Hz)

1	100 VAC
2	200 VAC
3	110 VAC [115 VAC]
4	220 VAC [230 VAC]
7	240 VAC

⚠ Caution

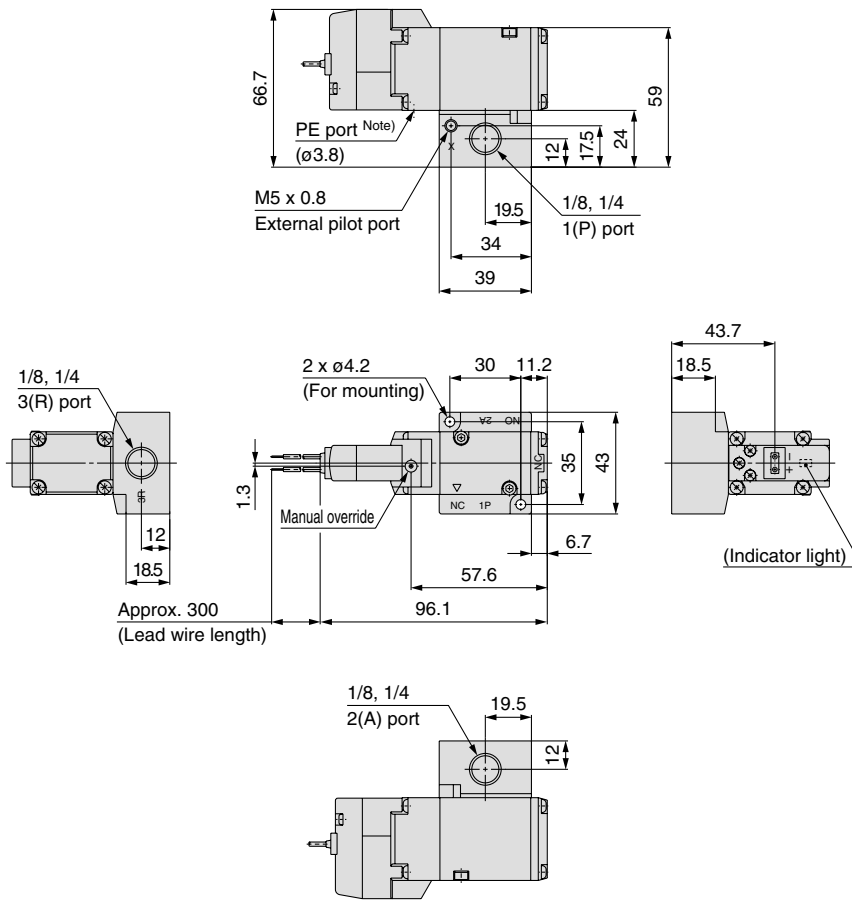
For V212 (DIN or Conduit type), the coil specification and voltage (including light/surge voltage suppressor) cannot be changed by changing the pilot valve assembly.

⚠ Caution

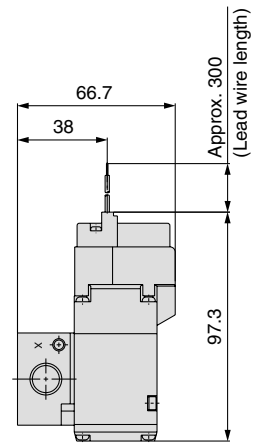
Tightening torque of the pilot valve assembly mounting screw
M2.5: 0.32 N·m

Series VP300/Base Mounted/Dimensions

Grommet (G)

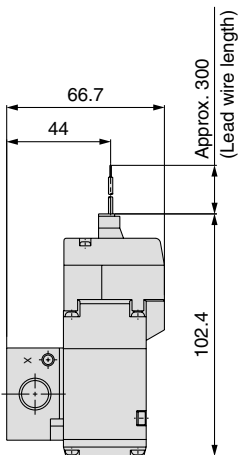


Grommet (G)
DC without light/surge voltage suppressor

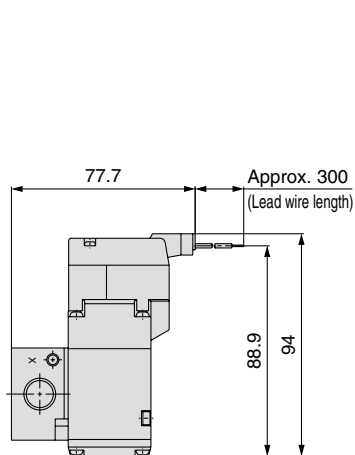


Note) Refer to page 24 when piping to PE port is required.

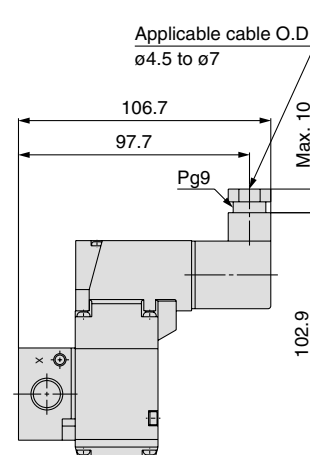
L-type plug connector (L)



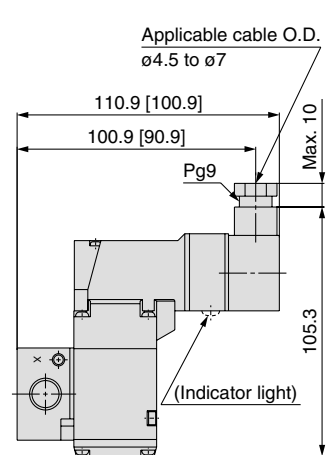
M-type plug connector (M)



DIN terminal (D, Y)



Conduit terminal (T)



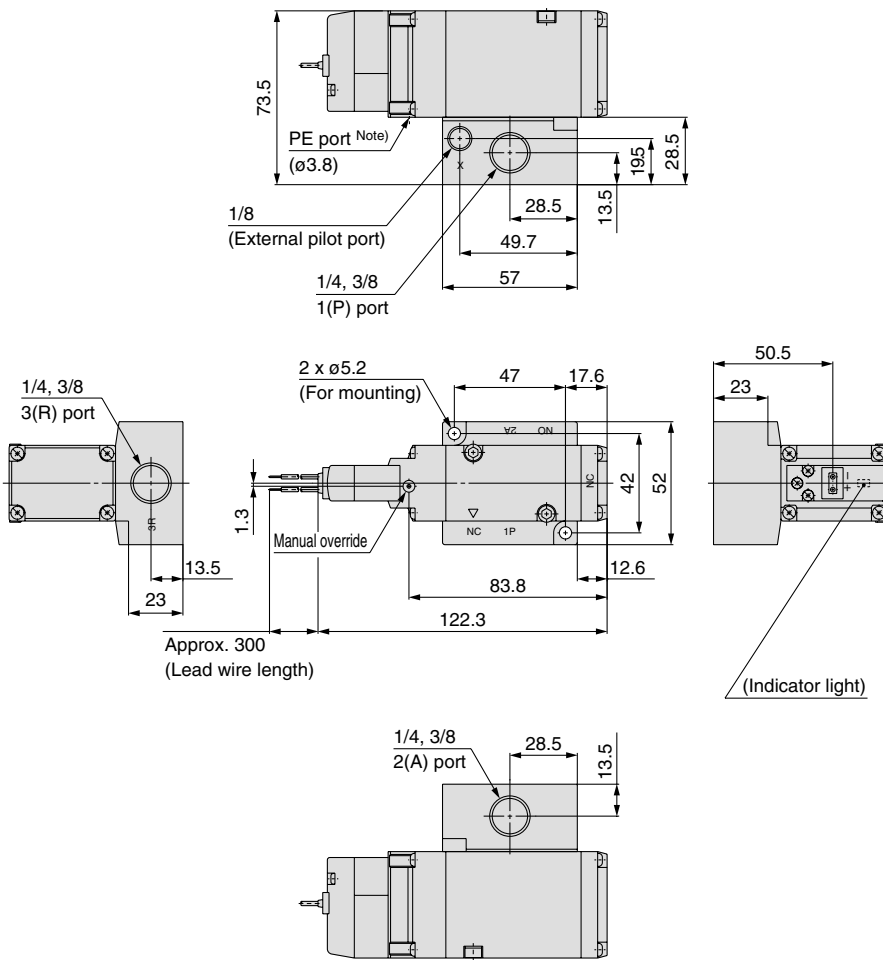
[] valves: Without indicator light

Unless otherwise indicated, dimensions are the same as Grommet (G).

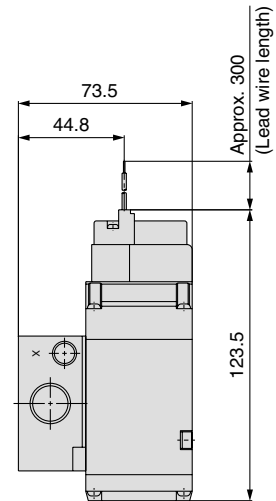
Series VP300/500/700

Series VP500/Base Mounted/Dimensions

Grommet (G)

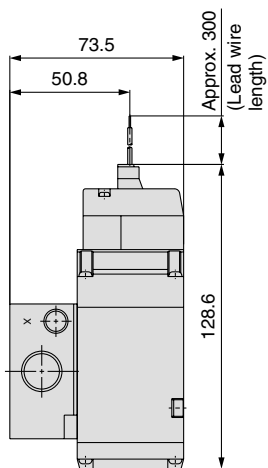


Grommet (G) DC without light/surge voltage suppressor

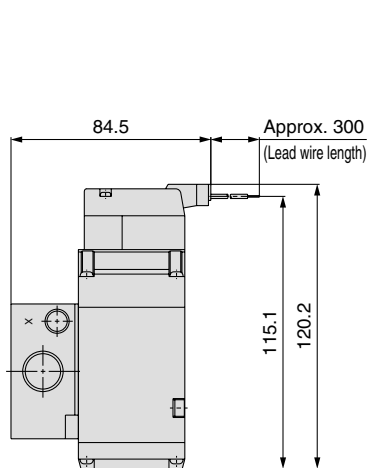


Note) Refer to page 24 when piping to PE port is required.

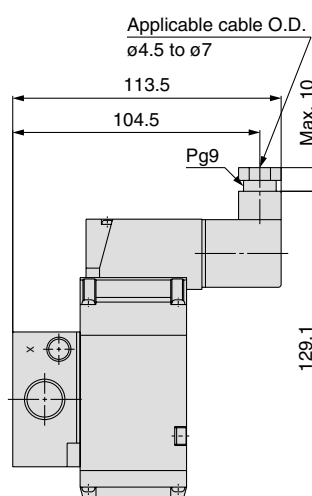
L-type plug connector (L)



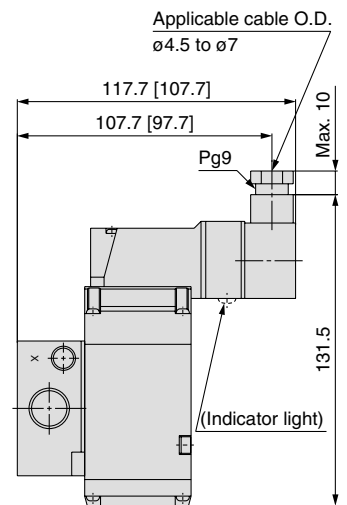
M-type plug connector (M)



DIN terminal (D, Y)



Conduit terminal (T)

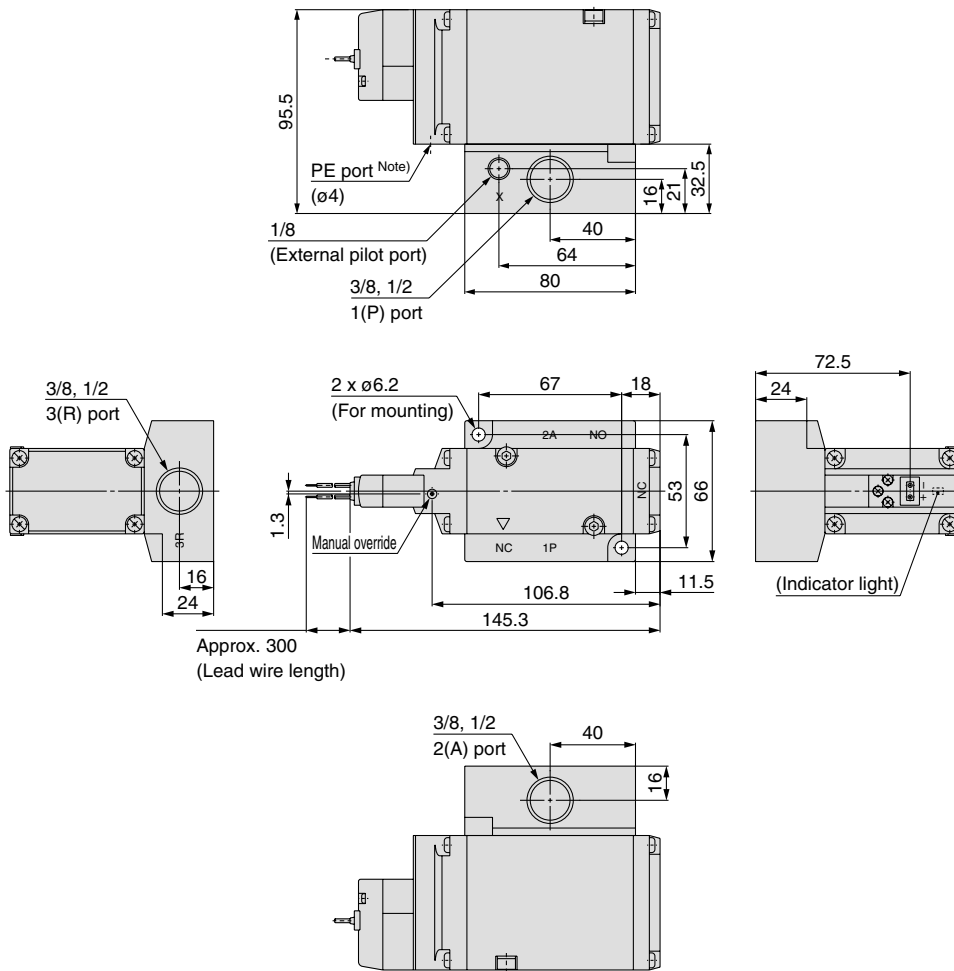


[] valves: Without indicator light

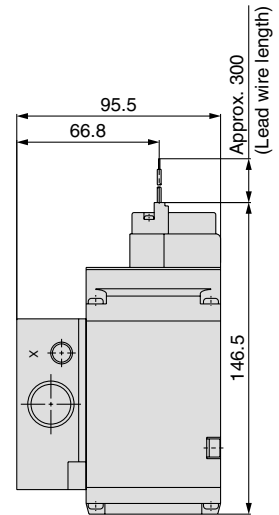
Unless otherwise indicated, dimensions are the same as Grommet (G).

Series VP700/Base Mounted/Dimensions

Grommet (G)

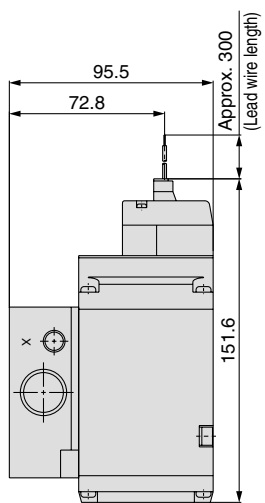


Grommet (G)
DC without light/surge voltage suppressor

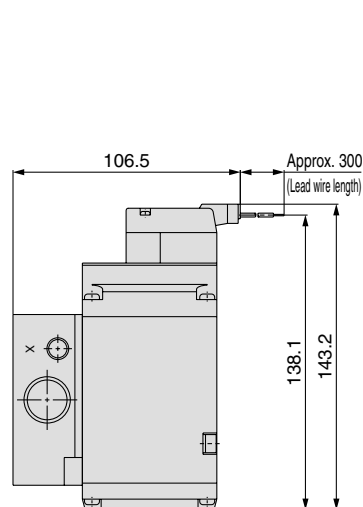


Note) Refer to page 24 when piping to PE port is required.

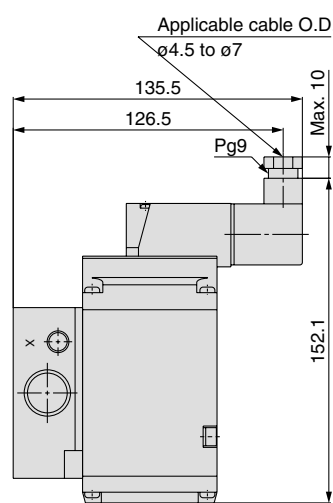
L-type plug connector (L)



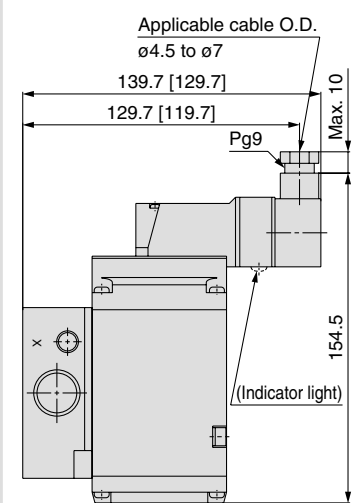
M-type plug connector (M)



DIN terminal (D, Y)



Conduit terminal (T)



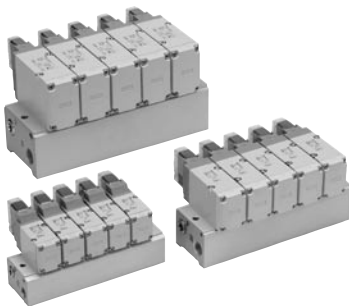
[] valves: Without indicator light

Unless otherwise indicated, dimensions are the same as Grommet (G).

Rubber Seal/3 Port/Pilot Poppet Type Manifold Common Exhaust **Type 41** / Individual Exhaust **Type 42** Series **VP300/500/700**

How to Order Manifold

Type 41/Common exhaust



VV3P **3** - 41 - **04** 1 - **02**

Series

3	VP300
5	VP500
7	VP700

Pilot type

—	Internal pilot
R	External pilot

Note) When the external pilot type manifold is selected, external pilot type valves are mounted.

Thread type

—	Rc
F	G
N	NPT
T	NPTF

Port size

Symbol	Port size	Applicable series
02	1/4	VP300
03	3/8	VP500
04	1/2	VP700

Stations

02	2 stations
⋮	⋮
20	20 stations

Type 42/Individual exhaust



VV3P **3** - 42 - **04** 3 - **02**

Series

3	VP300
5	VP500
7	VP700

Pilot type

—	Internal pilot
R	External pilot

Note) When the external pilot type manifold is selected, external pilot type valves are mounted.

Thread type

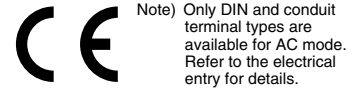
—	Rc
F	G
N	NPT
T	NPTF

Port size

Symbol	Port size	Applicable series
02	1/4	VP300
03	3/8	VP500
04	1/2	VP700

Stations

02	2 stations
⋮	⋮
20	20 stations



How to Order Valve (With a gasket and two mounting bolts)

VP 3 4 4 - 5 G 1 - A -

Series

3	VP300
5	VP500
7	VP700

Pilot type

-	Internal pilot
R	External pilot

Pressure specification

-	Standard (0.7 MPa)
K	High-pressure type (1.0 MPa)

Coil specification

-	Standard
T	With power saving circuit (DC only)

Note 1) Be sure to select the power saving circuit type when it is continuously energized for a long time. (Refer to back page 7 for details.)

Note 2) T type is only available for DC mode. When T is selected, only Z type of light/surge voltage suppressor is available. (Note that when the electrical entry of DIN terminal type without connector is selected, only DOS and YOS are available.)

Rated voltage

DC	
5	24 VDC
6	12 VDC
AC (50/60 Hz)	
1	100 VAC
2	200 VAC
3	110 VAC [115 VAC]
4	220 VAC [230 VAC]
7	240 VAC

Note) Only DIN and conduit terminal types can be set for AC mode. Refer to the electrical entry for details.

Type of actuation

A	N.C. (Normally closed)
B	N.O. (Normally open)

Manual override

-: Non-locking push type	D: Push-turn locking slotted type	E: Push-turn locking lever type

Light/surge voltage suppressor

	DC	AC
-	Without light/surge voltage suppressor	○
S	With surge voltage suppressor	○ <small>Note 1)</small>
Z	With light/surge voltage suppressor	○
R	With surge voltage suppressor (Non-polar)	○
U	With light/surge voltage suppressor (Non-polar)	○

Note 1) There is no S option for AC mode, since a rectifier prevents surge voltage generation.

Note 2) In the DIN terminal type, since a light is installed in the connector, DOZ, DOU, YOZ, YOU are not available.

Caution

When using the surge voltage suppressor type, residual voltage will remain. Refer to back page 7 for details.

Made to Order

-	-
X500	Pilot exhaust port with piping thread (M3) specification (Refer to page 24).

Electrical entry

Grommet	L-type plug connector	M-type plug connector	DIN terminal	DIN (EN175301-803) terminal	Conduit terminal
G: Lead wire length 300 mm H: Lead wire length 600 mm	L: With lead wire (length 300 mm)	M: With lead wire (length 300 mm)	[IP65 compatible]	[IP65 compatible]	[IP65 compatible]
G: Lead wire length 300 mm H: Lead wire length 600 mm DC Without light/surge voltage suppressor	LN: Without lead wire	MN: Without lead wire	D: With connector	Y: With connector	T: Conduit terminal
	LO: Without connector	MO: Without connector	DO: Without connector	YO: Without connector	

Note 1) LN and MN types are with 2 sockets.

Note 2) Refer to back page 4 when different length of lead wire for L/M-type plug connector is required.

Note 3) Refer to back page 5 for details on the DIN (EN175301-803) terminal.

Note 4) The AC mode of G, H, L and M types are not CE compliant.

Series VP300/500/700

Piping is concentrated on the base side.

All external pilots are gathered in the base.

Common external pilot port allows one piping.

2 types of exhaust ports

Common or individual exhaust type are available. For individual exhaust type, exhaust can be restricted.

Easy to change between N.C. and N.O.

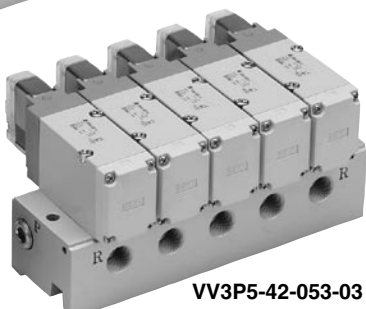
Type of actuation can be easily changed from normally closed to normally open by only changing the direction of a valve and end-plate 180°.



- Refer to back page 8 for changing the type of actuation.



VV3P3-41-051-02



VV3P5-42-053-03

Manifold Specifications

Series	Base model	Piping specifications			Applicable valve	Applicable stations ^{Note)}	Manifold base Mass: W [g] Stations: n
		1P (SUP) port type	3R (EXH) port type	Port size			
VP300	VV3P3-41	Common	Common	1/4	VP344	2 to 20 stations	W = 110n + 90
	VV3P3-42		Individual				
VP500	VV3P5-41		Common	3/8	VP544	2 to 20 stations	W = 190n + 150
	VV3P5-42		Individual				
VP700	VV3P7-41		Common	1/2	VP744	2 to 20 stations	W = 410n + 380
	VV3P7-42		Individual				



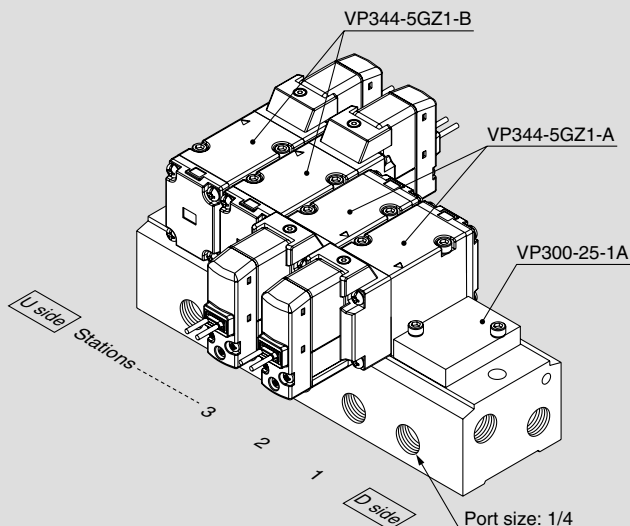
Note) Supply pressure to 1(P) ports and exhaust pressure from 3(R) ports on both sides for 10 stations or more.

Manifold Option

Description	Part no.	Applicable manifold base model
Blanking plate assembly (With a gasket and two mounting bolts)	VP300-25-1A	VV3P3
	VP500-25-1A	VV3P5
	VP700-25-1A	VV3P7

How to Order Manifold Assembly (Example)

Ordering example (VV3P3-41)



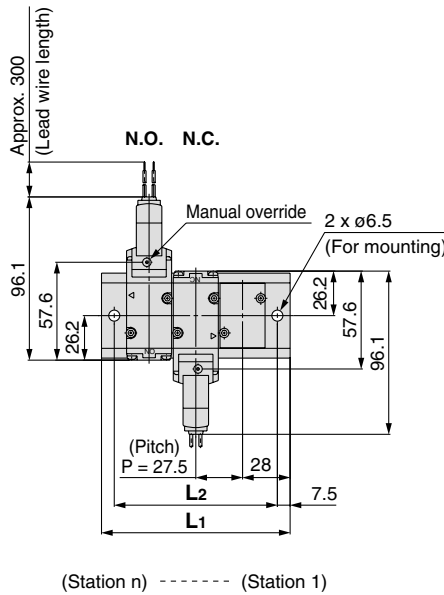
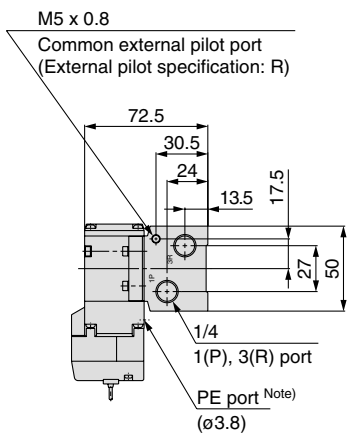
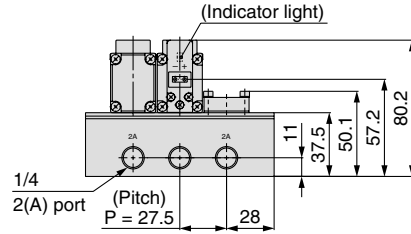
- VV3P3-41-051-02 1 set (Type 41, 5-station manifold base part no.)
 * VP300-25-1A 1 set (Blanking plate assembly part no.)
 * VP344-5GZ1-A 2 sets (N.C. type part no.)
 * VP344-5GZ1-B 2 sets (N.O. type part no.)

The asterisk denotes the symbol for assembly.
 Prefix it to the part nos. of the solenoid valve, etc.

- Indicate the valves to be attached below the manifold part number, in order starting from station 1 as shown in the drawing.

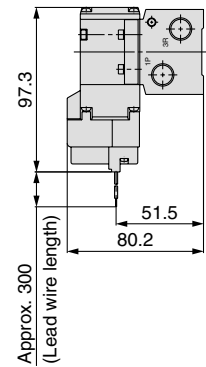
Series VP300/Dimensions

Type 41/Common exhaust: VV3P3-41 □ - Stations 1-02
Grommet (G)



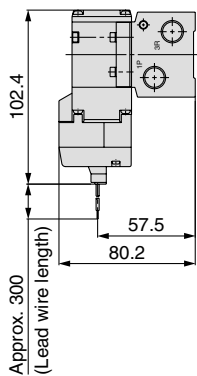
Note) Refer to page 24 when piping to PE port is required.

Grommet (G)
 DC without light/surge voltage suppressor

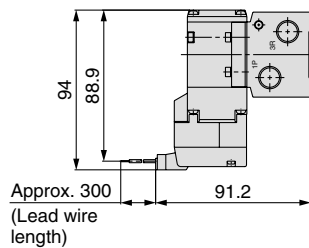


Station n	2	3	4	5	6	7	8	9	10	11	12	13	14	15	16	17	18	19	20
L1	83.5	111	138.5	166	193.5	221	248.5	276	303.5	331	358.5	386	413.5	441	468.5	496	523.5	551	578.5
L2	68.5	96	123.5	151	178.5	206	233.5	261	288.5	316	343.5	371	398.5	426	453.5	481	508.5	536	563.5

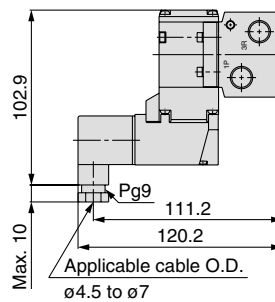
L-type plug connector (L)



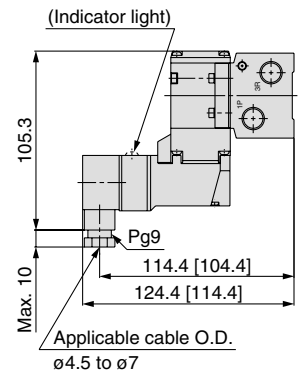
M-type plug connector (M)



DIN terminal (D, Y)



Conduit terminal (T)



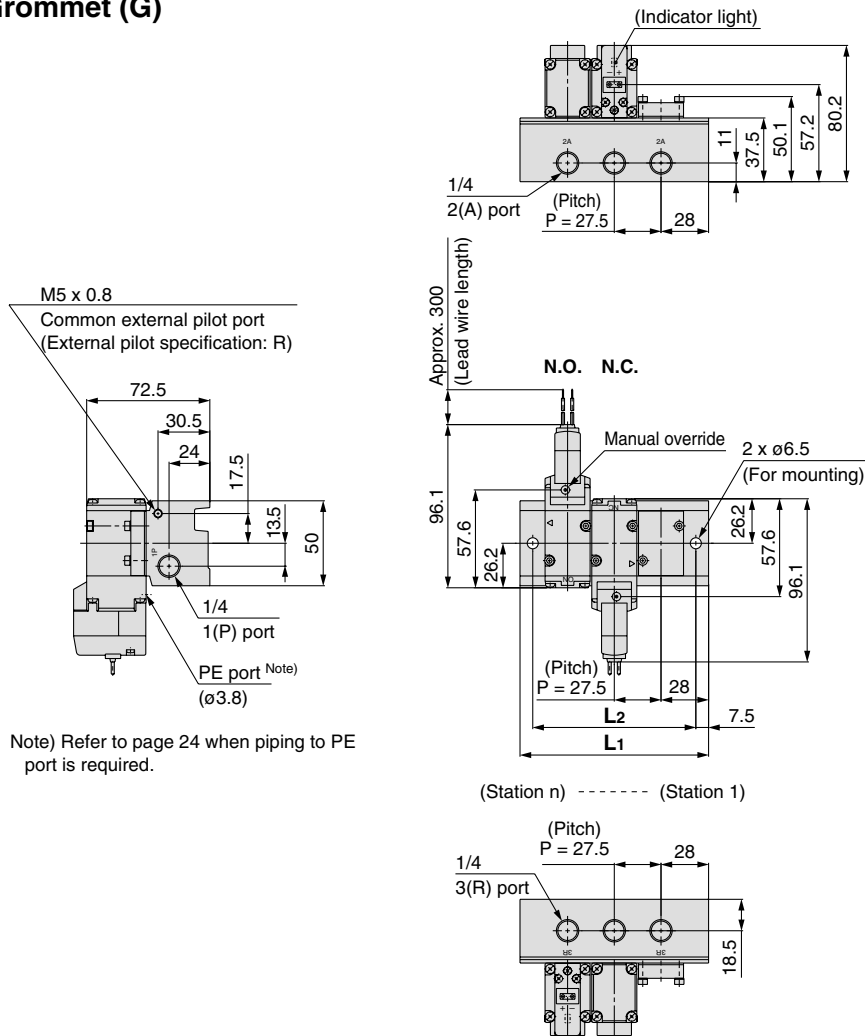
[] valves: Without indicator light

Unless otherwise indicated, dimensions are the same as Grommet (G).

Series VP300/500/700

Series VP300/Dimensions

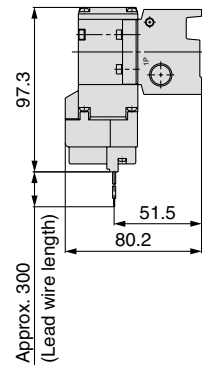
Type 42/Individual exhaust: VV3P3-42□ - Stations 3-02
Grommet (G)



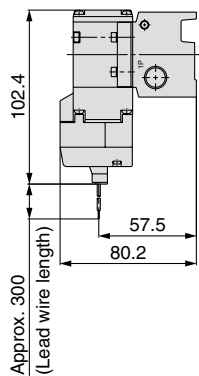
Note) Refer to page 24 when piping to PE port is required.

Station n	2	3	4	5	6	7	8	9	10	11	12	13	14	15	16	17	18	19	20
L1	83.5	111	138.5	166	193.5	221	248.5	276	303.5	331	358.5	386	413.5	441	468.5	496	523.5	551	578.5
L2	68.5	96	123.5	151	178.5	206	233.5	261	288.5	316	343.5	371	398.5	426	453.5	481	508.5	536	563.5

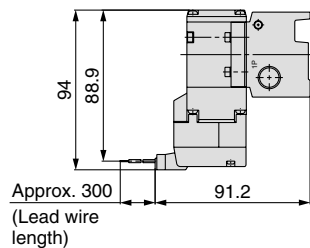
Grommet (G)
DC without light/surge voltage suppressor



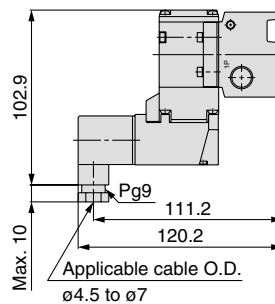
L-type plug connector (L)



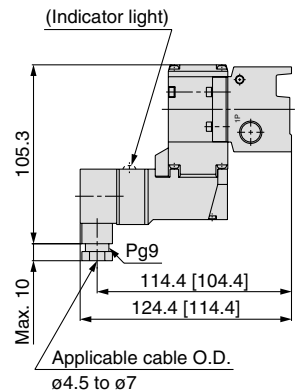
M-type plug connector (M)



DIN terminal (D, Y)



Conduit terminal (T)

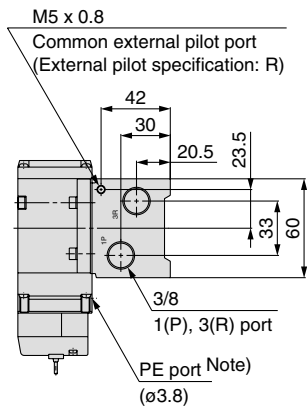
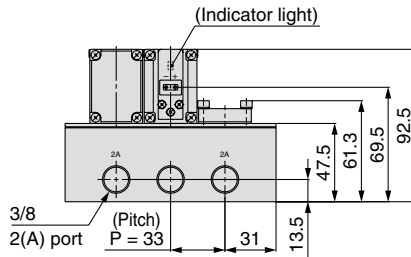


[] valves: Without indicator light

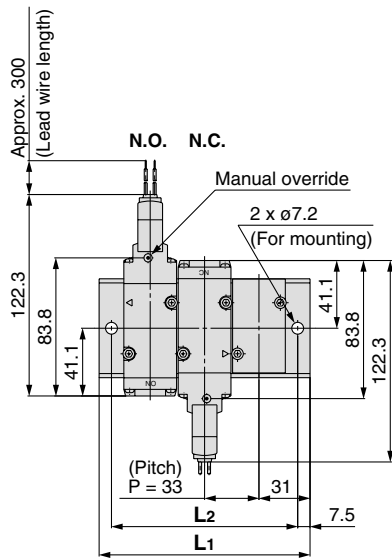
Unless otherwise indicated, dimensions are the same as Grommet (G).

Series VP500/Dimensions

Type 41/Common exhaust: VV3P5-41 □ - Stations 1-03
Grommet (G)

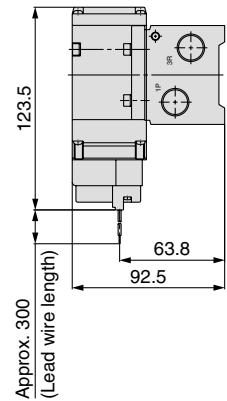


Note) Refer to page 24 when piping to PE port is required.



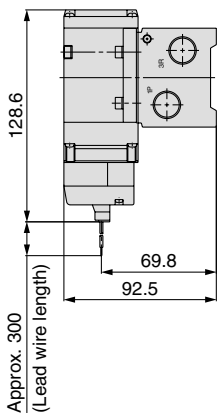
(Station n) ----- (Station 1)

Grommet (G)
DC without light/surge voltage suppressor

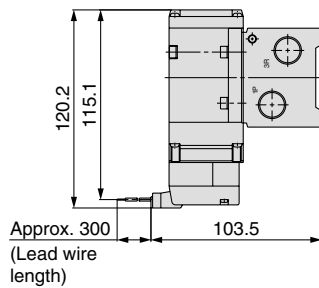


Station n	2	3	4	5	6	7	8	9	10	11	12	13	14	15	16	17	18	19	20
L1	95	128	161	194	227	260	293	326	359	392	425	458	491	524	557	590	623	656	689
L2	80	113	146	179	212	245	278	311	344	377	410	443	476	509	542	575	608	641	674

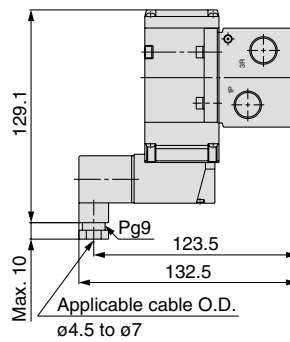
L-type plug connector (L)



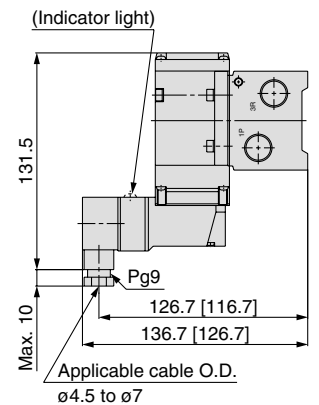
M-type plug connector (M)



DIN terminal (D, Y)



Conduit terminal (T)



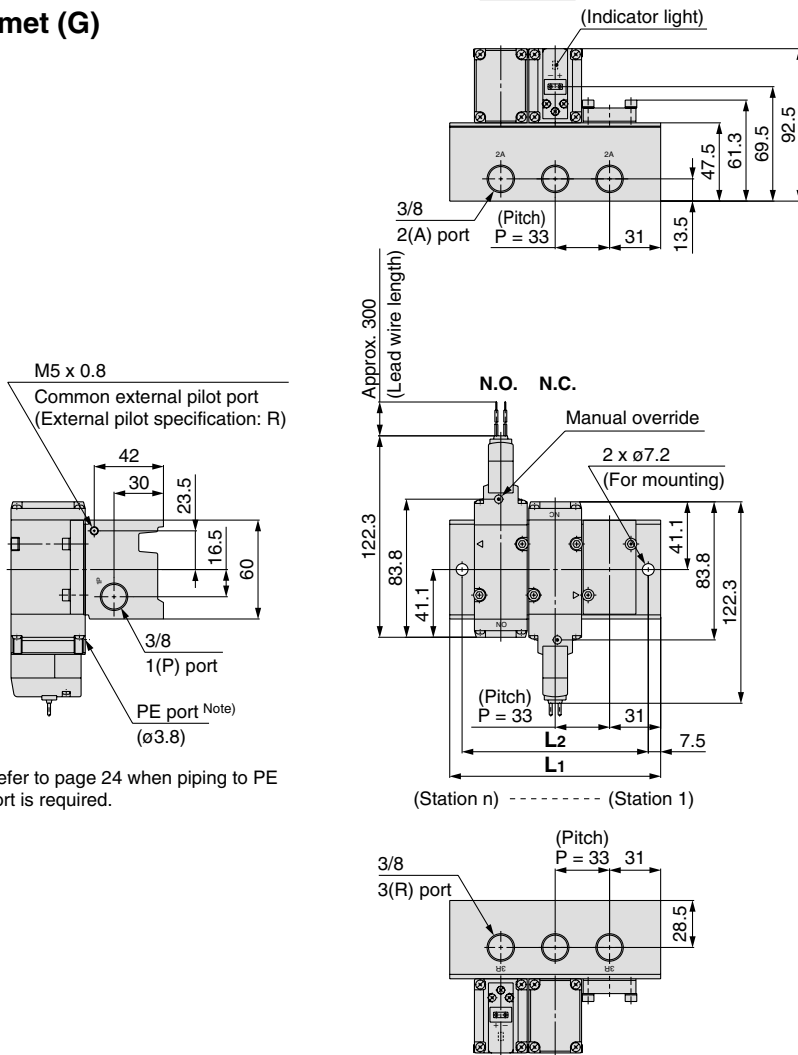
[] valves: Without indicator light

Unless otherwise indicated, dimensions are the same as Grommet (G).

Series VP300/500/700

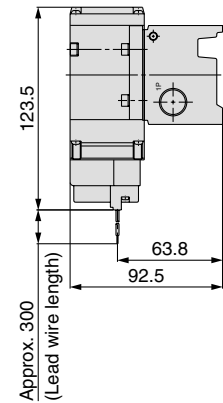
Series VP500/Dimensions

Type 42/Individual exhaust: VV3P5-42□ - Stations 3-03 Grommet (G)



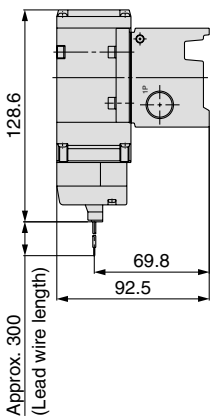
Note) Refer to page 24 when piping to PE port is required.

Grommet (G) DC without light/surge voltage suppressor

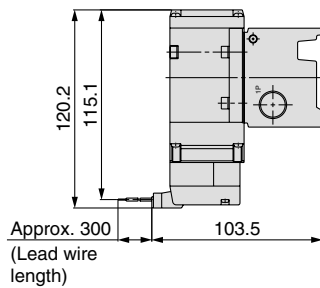


Station n	2	3	4	5	6	7	8	9	10	11	12	13	14	15	16	17	18	19	20
L1	95	128	161	194	227	260	293	326	359	392	425	458	491	524	557	590	623	656	689
L2	80	113	146	179	212	245	278	311	344	377	410	443	476	509	542	575	608	641	674

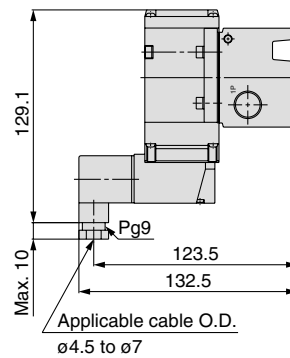
L-type plug connector (L)



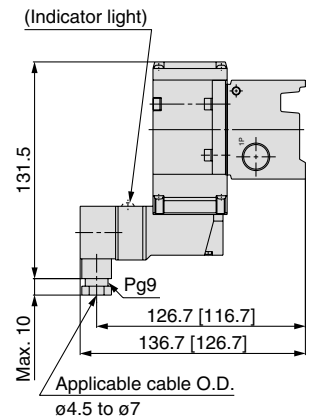
M-type plug connector (M)



DIN terminal (D, Y)



Conduit terminal (T)

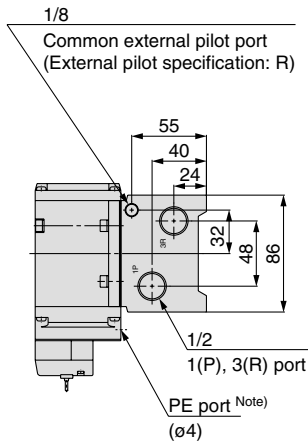
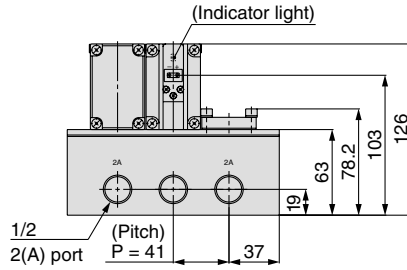


[] valves: Without indicator light

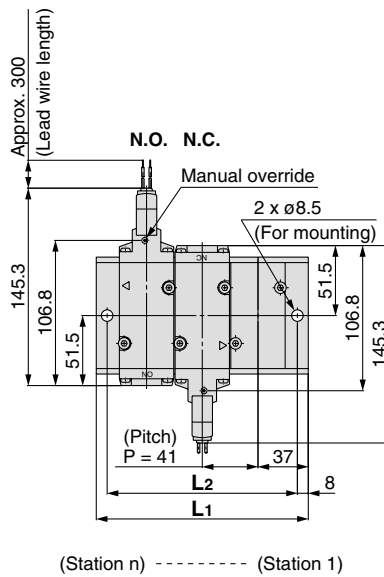
Unless otherwise indicated, dimensions are the same as Grommet (G).

Series VP700/Dimensions

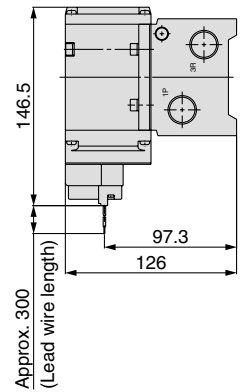
Type 41/Common exhaust: VV3P7-41 □ - Stations 1-04
Grommet (G)



Note) Refer to page 24 when piping to PE port is required.

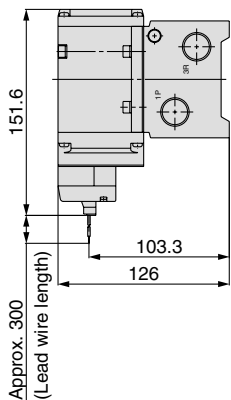


Grommet (G)
 DC without light/surge voltage suppressor

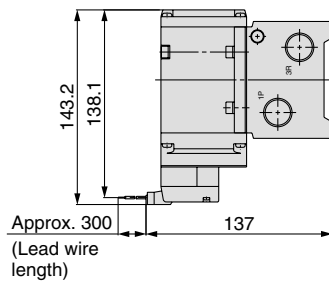


Station n	2	3	4	5	6	7	8	9	10	11	12	13	14	15	16	17	18	19	20
L1	115	156	197	238	279	320	361	402	443	484	525	566	607	648	689	730	771	812	853
L2	99	140	181	222	263	304	345	386	427	468	509	550	591	632	673	714	755	796	837

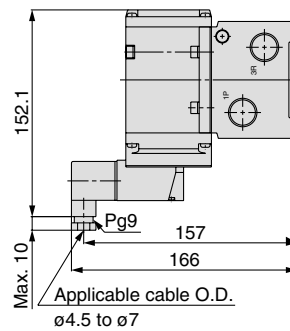
L-type plug connector (L)



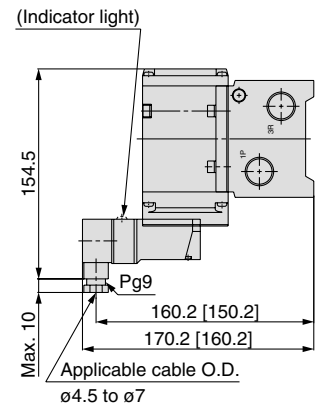
M-type plug connector (M)



DIN terminal (D, Y)



Conduit terminal (T)



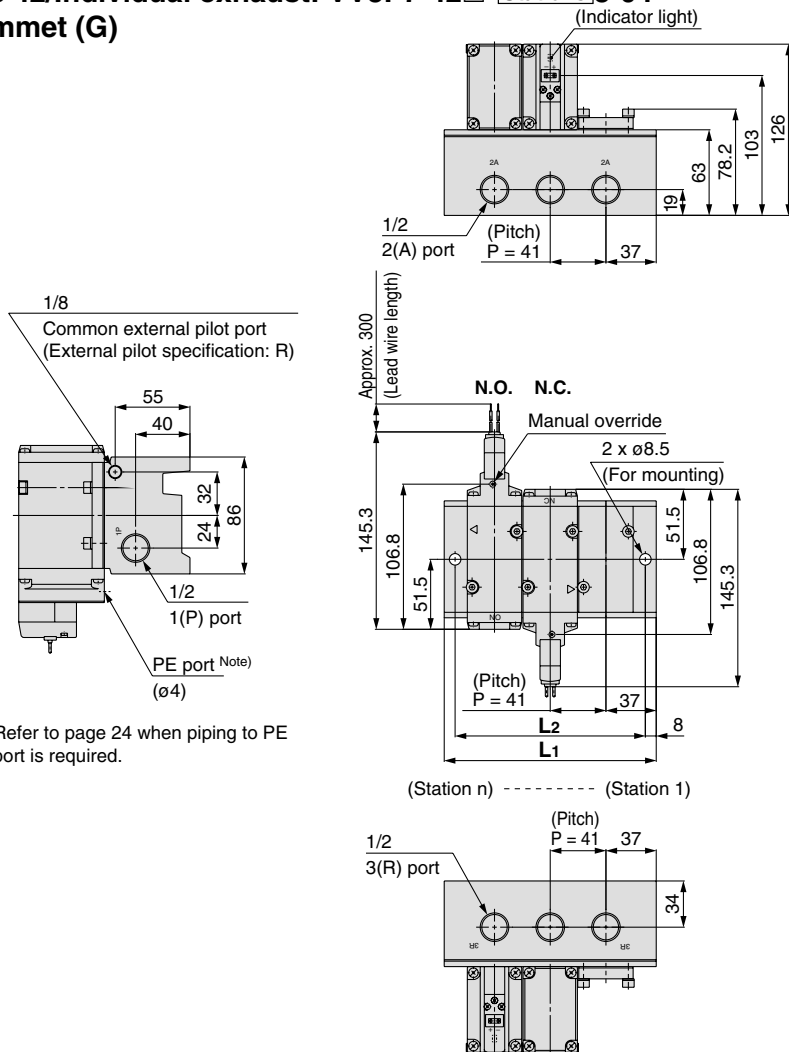
[] valves: Without indicator light

Unless otherwise indicated, dimensions are the same as Grommet (G).

Series VP300/500/700

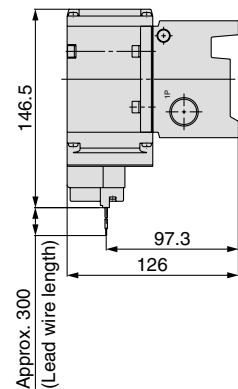
Series VP700/Dimensions

Type 42/Individual exhaust: VV3P7-42□ - Stations 3-04 Grommet (G)



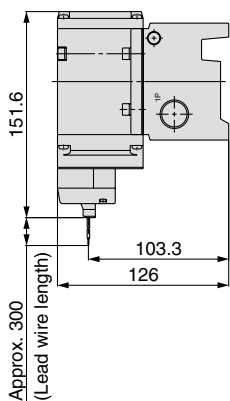
Note) Refer to page 24 when piping to PE port is required.

Grommet (G) DC without light/surge voltage suppressor

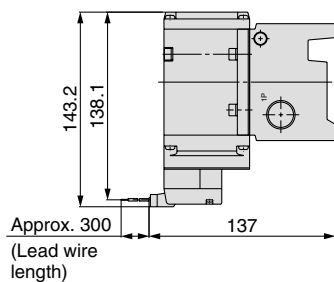


Station n	2	3	4	5	6	7	8	9	10	11	12	13	14	15	16	17	18	19	20
L1	115	156	197	238	279	320	361	402	443	484	525	566	607	648	689	730	771	812	853
L2	99	140	181	222	263	304	345	386	427	468	509	550	591	632	673	714	755	796	837

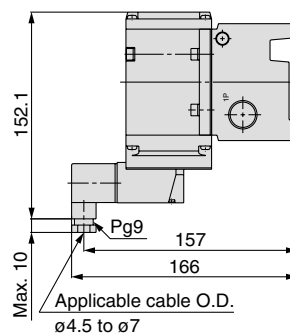
L-type plug connector (L)



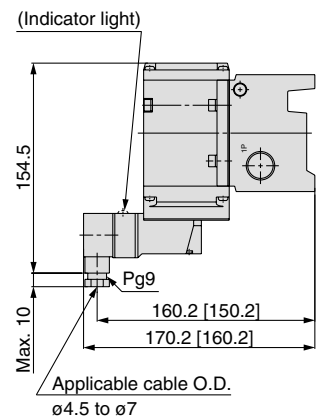
M-type plug connector (M)



DIN terminal (D, Y)



Conduit terminal (T)



[] valves: Without indicator light

Unless otherwise indicated, dimensions are the same as Grommet (G).



Please contact SMC for detailed dimensions, specifications, and lead times.

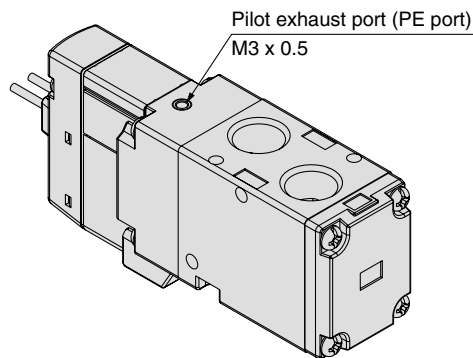
1 Pilot Exhaust Port with Piping Thread (M3) Specification

In this specification, piping to the pilot exhaust port (PE port) is available when the valve is used in an environment where the exhaust from the pilot valve is not allowable, or intrusion of ambient dust should be prevented.

How to Order Valve

VP³₅4²₄ □□□ - □□□□ 1 - □□□ - X500

- Entry is the same as standard products.
The specifications, performance and external dimensions are the same as those of standard models.

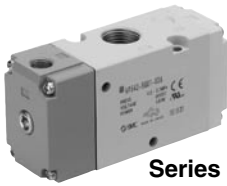


3 Port/Air Operated Valve Body Ported/Single Unit

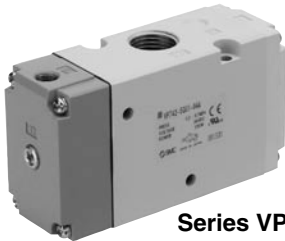
Series VPA300/500/700



Series VPA300



Series VPA500



Series VPA700

How to Order

VPA 3 4 2 □ - 1 - 01 □ A - □

Series

3	VPA300
5	VPA500
7	VPA700

Body option

—	Standard
V	For vacuum

Bracket

—	Without bracket
F	With bracket

Type of actuation

A	N.C. (Normally closed)
B	N.O. (Normally open)

Thread type

—	Rc
F	G
N	NPT
T	NPTF

Port size

Symbol	Port size	VPA300	VPA500	VPA700
01	1/8	○	—	—
02	1/4	○	○	—
03	3/8	—	○	○
04	1/2	—	—	○

Specifications

Fluid	Air	
Type of actuation	N.C. or N.O. (Convertible)	
Operating pressure range (MPa)	Standard	0.2 to 1.0
	For vacuum	-100 kPa to 0.2
Pilot pressure (MPa)	0.2 to 1.0 (Equivalent to the operating pressure or more)	
Ambient and fluid temperature (°C)	-10 to 50 (No freezing)	
Lubrication	Not required	
Mounting orientation	Unrestricted	
Impact/Vibration resistance (m/s ²) <small>Note</small>	300/50	

Note) Impact resistance: No malfunction occurred when tested in both the axial and right angle directions of main valve and armature (tested in both energized and de-energized states). (Values at the initial period).

Vibration resistance: No malfunction occurred when tested in a one-sweep test between 45 and 2000 Hz, in both the axial and right angle directions of main valve and armature (tested in both energized and de-energized states). (Values at the initial period).

Flow Characteristics/Mass

Model	Port size	1 ↔ 2 (P ↔ A)				2 ↔ 3 (A ↔ R)				Mass (g) <small>Note 1</small>
		C [dm ³ /(s·bar)]	b	Cv	Q [l/min] (ANR) ^{Note 2}	C [dm ³ /(s·bar)]	b	Cv	Q [l/min] (ANR) ^{Note 2}	
VPA342	1/8	3.5	0.26	0.8	868	3.6	0.26	0.9	893	118
	1/4	4.2	0.22	1.0	1018	4.2	0.23	1.0	1023	114
VPA542	1/4	7.9	0.21	1.8	1903	7.2	0.27	1.8	1797	237
	3/8	8.9	0.16	2.2	2085	8.9	0.20	2.1	2132	229
VPA742	3/8	11.9	0.21	2.7	2867	11.8	0.20	2.7	2826	501
	1/2	15.1	0.21	3.6	3637	15.3	0.22	3.7	3707	484

Note 1) Values without brackets

Note 2) These valves have been calculated according to ISO6358 and indicate the flow rate under standard conditions with an inlet pressure of 0.6 MPa (relative pressure) and a pressure drop of 0.1 MPa.

Caution

Refer to back pages 1 and 2 for Safety Instructions, "Handling Precautions for SMC Products" (M-E03-3) for Common Precautions.

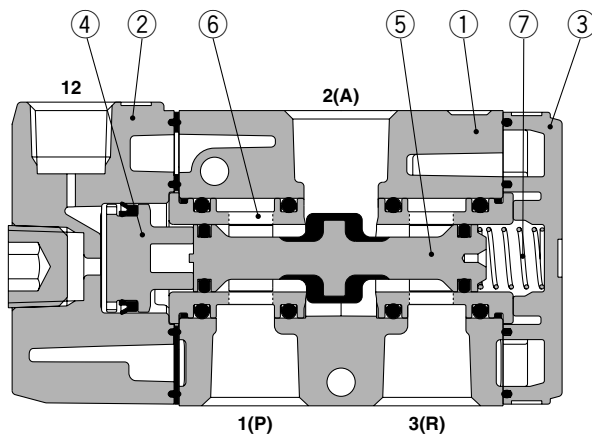
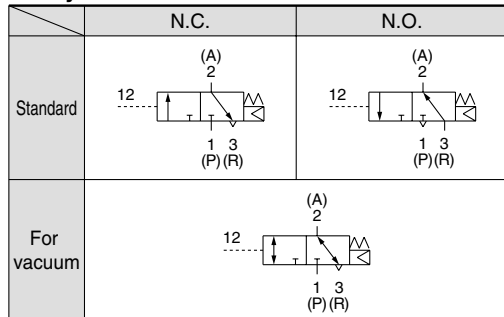


Refer to back page 8 for changing the type of actuation.

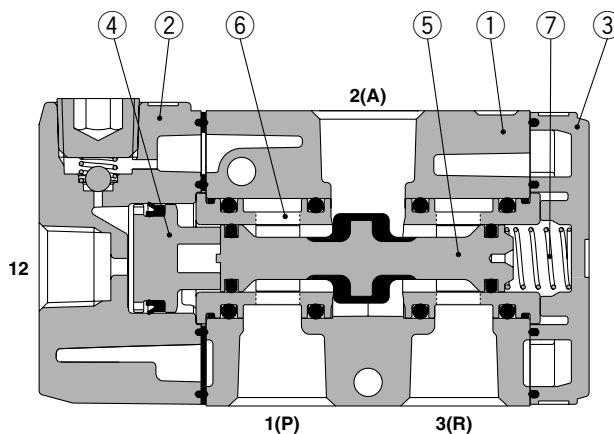
Construction

Standard

JIS symbol



For vacuum



Component Parts

No.	Description	Material	Note
1	Body	Aluminum die-casted	White
2	Adapter plate	Aluminum die-casted	Grey
3	End plate	Resin	White
4	Piston	Resin	
5	Spool valve	Aluminum/HNBR	
6	Retainer	Resin	
7	Spring	Stainless steel	

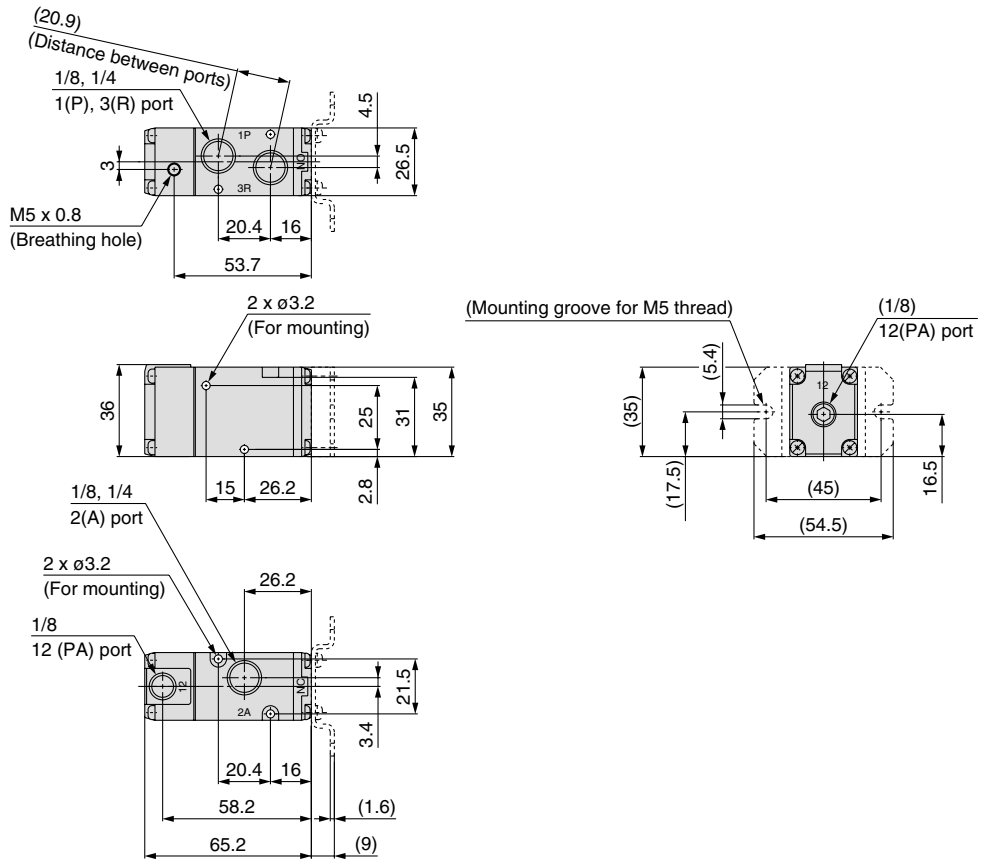
Bracket Assembly Part No.

Description	Model	Part no.
Bracket (With 2 screws)	VPA342	VP300-227-1A
	VPA542	VP500-227-1A
	VPA742	VP700-227-1A

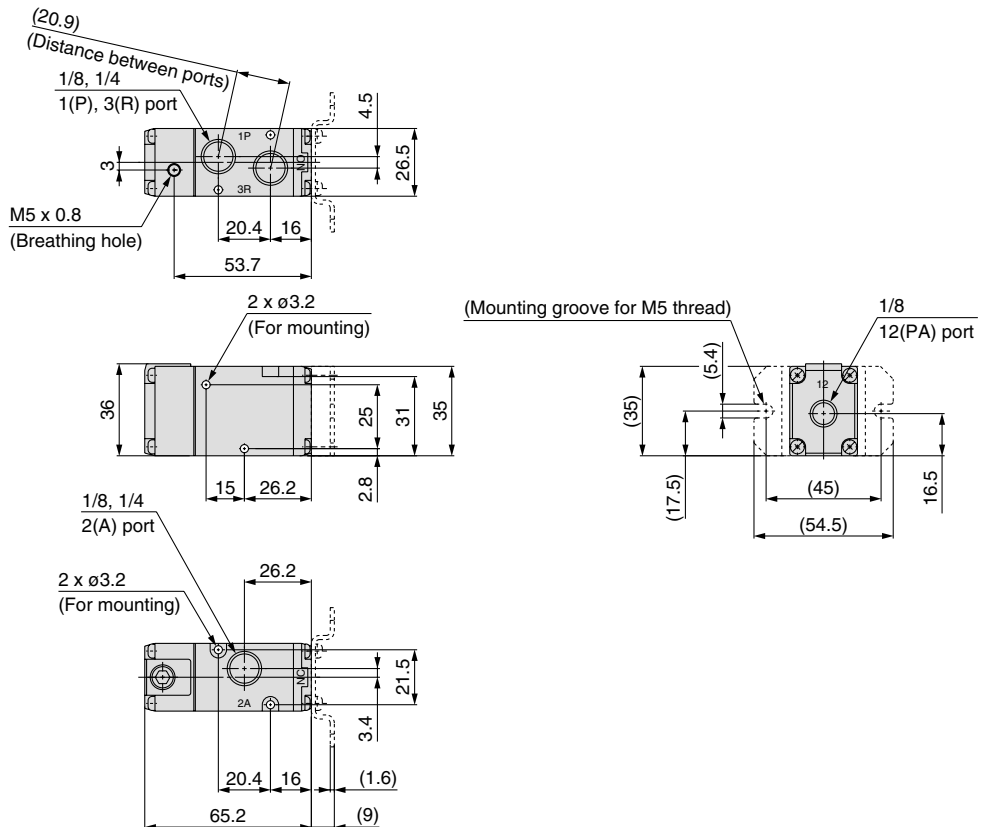
Series VPA300/500/700

Series VPA300/Body Ported/Dimensions

Standard/VPA342-1-⁰¹/₀₂□^A/_B (-F)



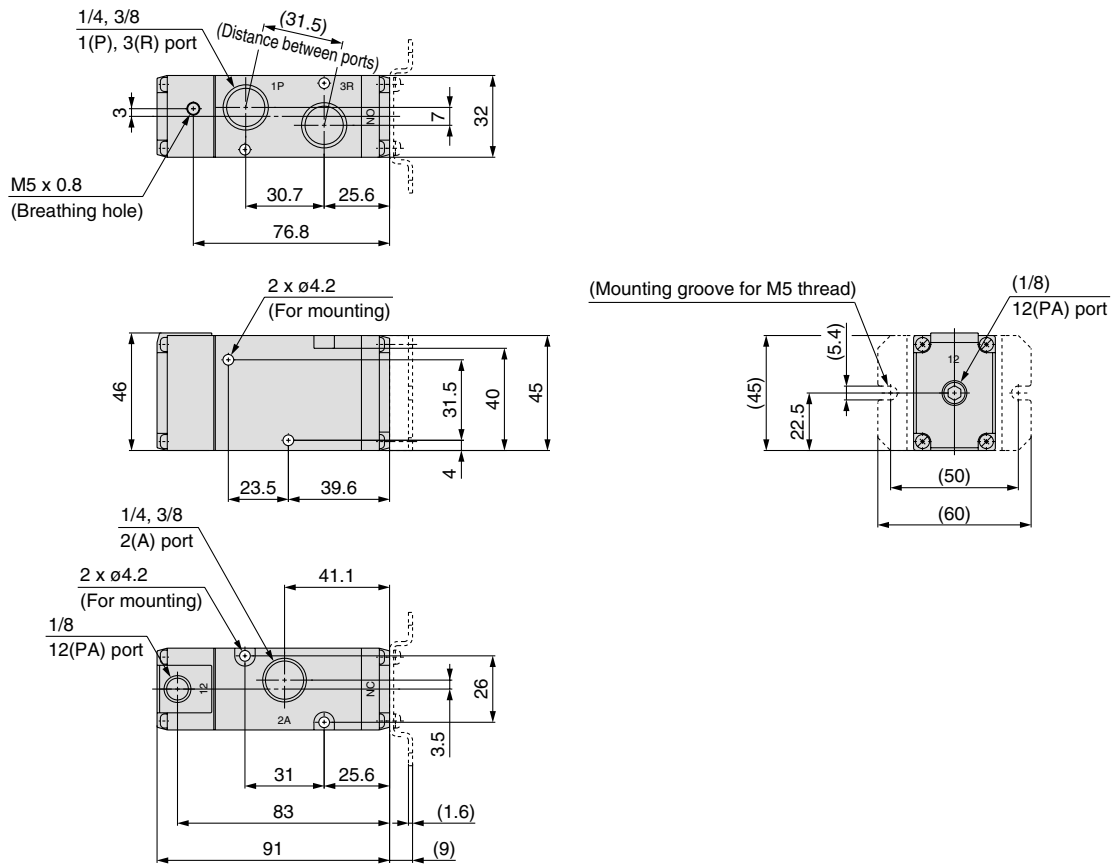
For vacuum/VPA342V-1-⁰¹/₀₂□^A/_B (-F)



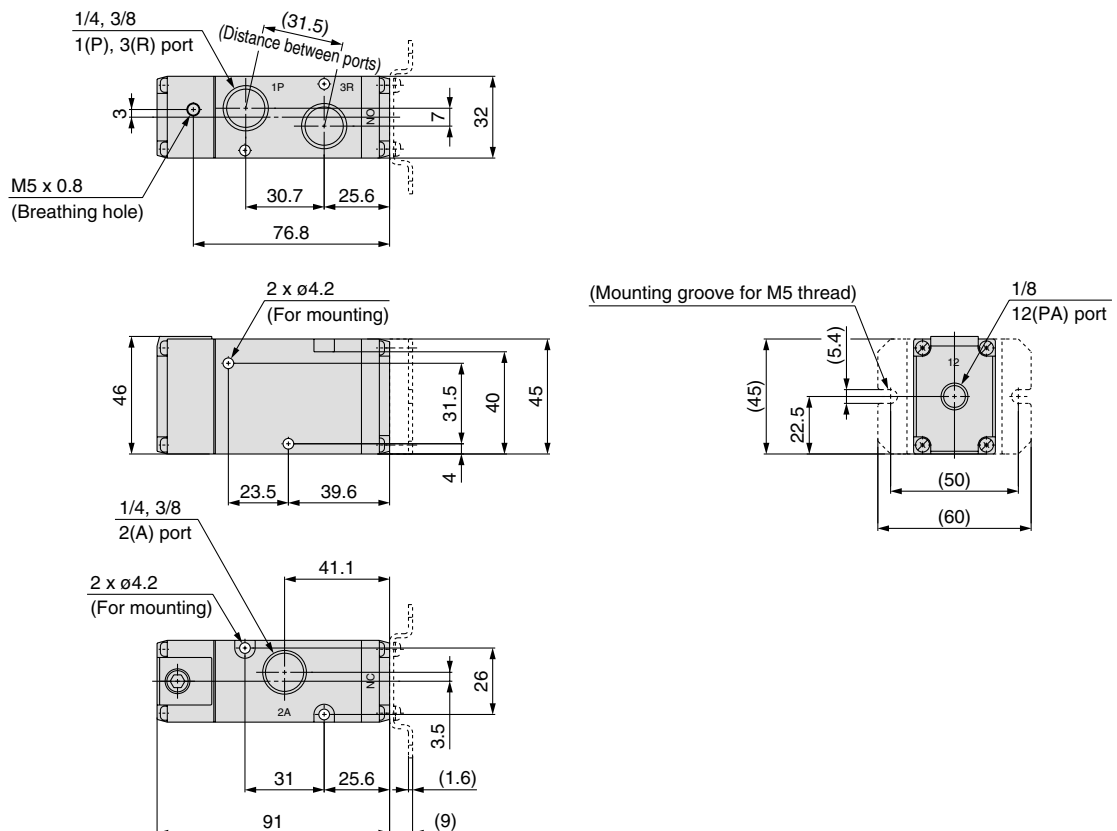
Air Operated Valve Body Ported/Single Unit **Series VPA300/500/700**

Series VPA500/Body Ported/Dimensions

Standard/VPA542-1-⁰²/₀₃ □^A/_B (-F)



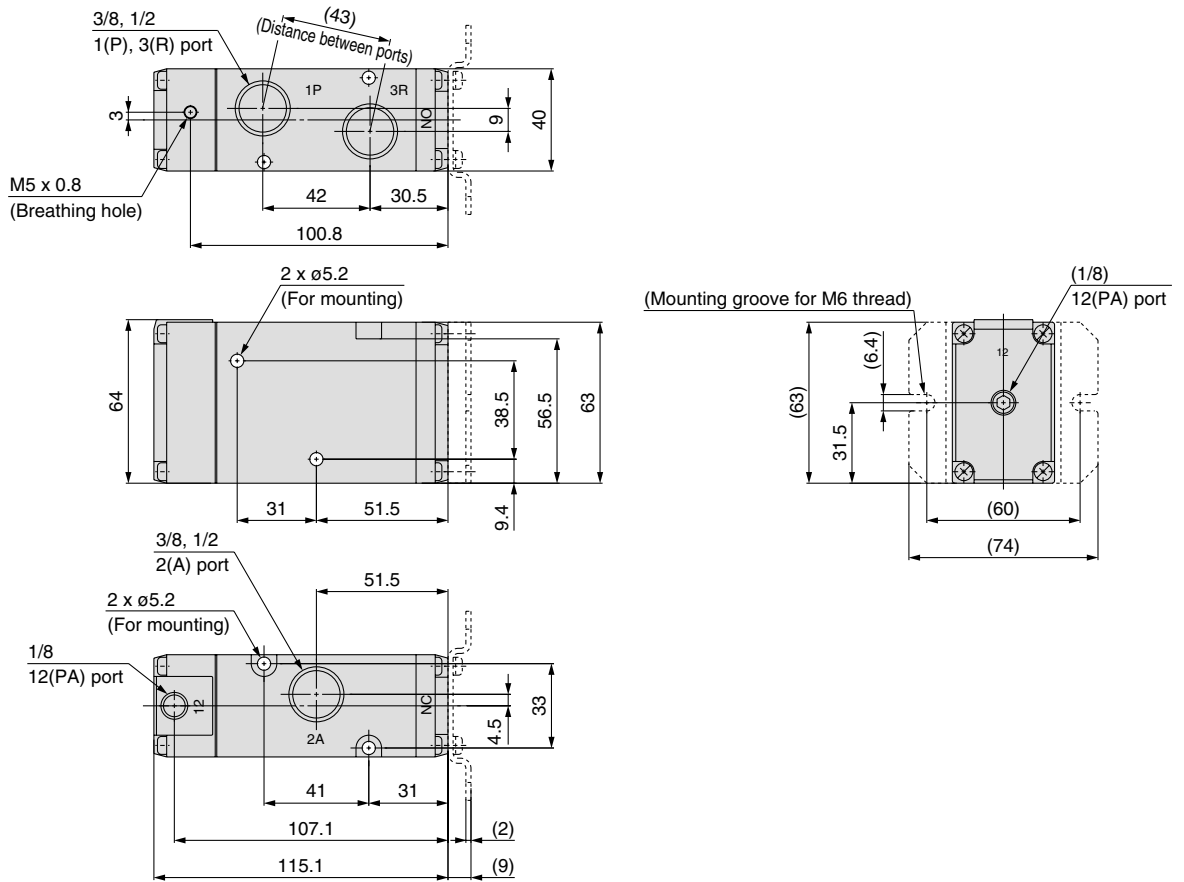
For vacuum/VPA542V-1-⁰²/₀₃ □^A/_B (-F)



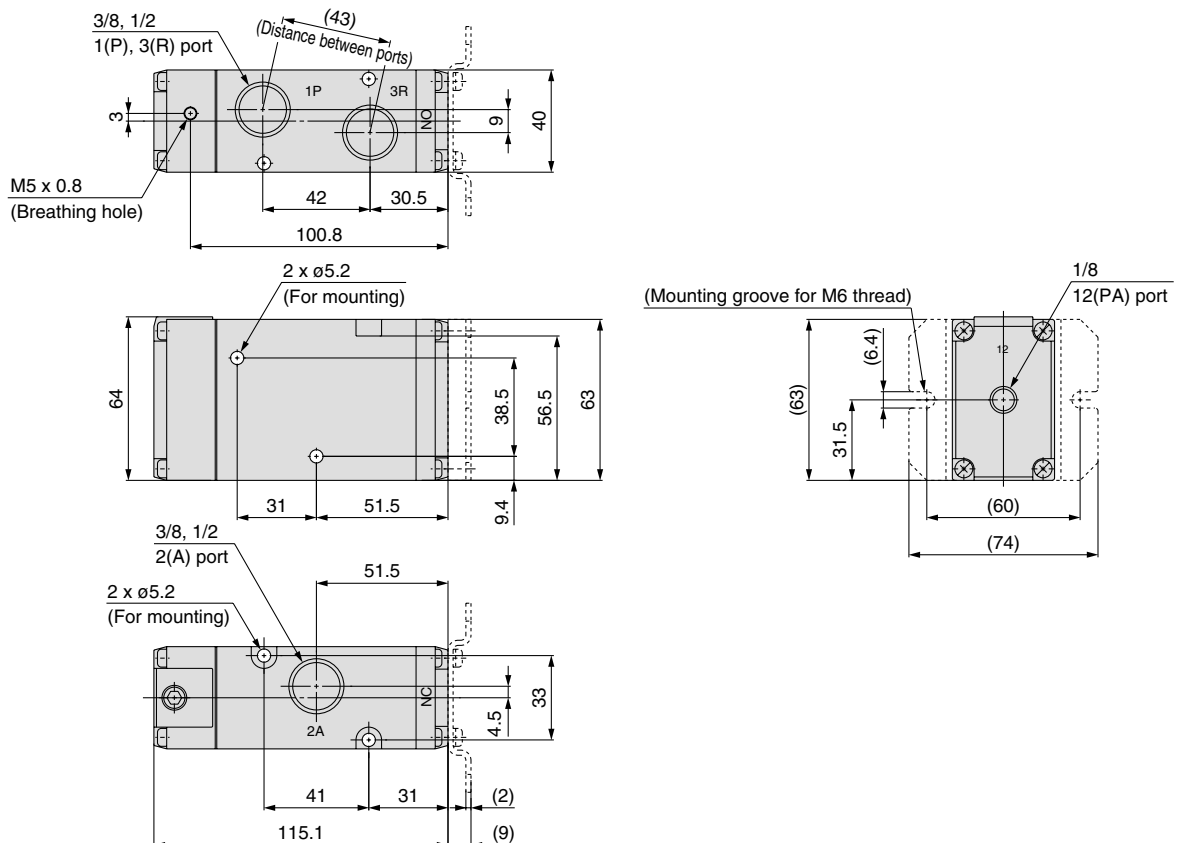
Series VPA300/500/700

Series VPA700/Body Ported/Dimensions

Standard/VPA742-1-⁰³/₀₄ □^A/_B (-F)



For vacuum/VPA742V-1-⁰³/₀₄ □^A/_B (-F)



3 Port/Air Operated Valve Base Mounted/Single Unit

Series VPA300/500/700



Series VPA300



Series VPA500



Series VPA700

How to Order

VPA 3 4 4 - 1 - 01 A

Series

3	VPA300
5	VPA500
7	VPA700

Body option

—	Standard
V	For vacuum

Type of actuation

A	N.C. (Normally closed)
B	N.O. (Normally open)

Thread type

—	Rc
F	G
N	NPT
T	NPTF

Port size (Sub-plate)

Symbol	Port size	VPA300	VPA500	VPA700
—	Without sub-plate ^{Note)}			
01	1/8	○	—	—
02	1/4	○	○	—
03	3/8	—	○	○
04	1/2	—	—	○

Note) With a gasket and two mounting bolts

Specifications

Fluid	Air	
Type of actuation	N.C. or N.O. (Convertible)	
Operating pressure range (MPa)	Standard	0.2 to 1.0
	For vacuum	-100 kPa to 0.2
Pilot pressure (MPa)	0.2 to 1.0 (Equivalent to the operating pressure or more)	
Ambient and fluid temperature (°C)	-10 to 50 (No freezing)	
Lubrication	Not required	
Mounting orientation	Unrestricted	
Impact/Vibration resistance (m/s ²) ^{Note)}	300/50	

Note) Impact resistance: No malfunction occurred when tested in both the axial and right angle directions of main valve and armature (tested in both energized and de-energized states). (Values at the initial period).

Vibration resistance: No malfunction occurred when tested in a one-sweep test between 45 and 2000 Hz, in both the axial and right angle directions of main valve and armature (tested

Flow Characteristics/Mass

Model	Port size	1 ↔ 2 (P ↔ A)				2 ↔ 3 (A ↔ R)				Mass (g) ^{Note 1)}
		C [dm ³ /(s·bar)]	b	Cv	Q [l/min] (ANR) ^{Note 2)}	C [dm ³ /(s·bar)]	b	Cv	Q [l/min] (ANR) ^{Note 2)}	
VPA344	1/8	3.6	0.22	0.8	872	3.5	0.24	0.8	858	185 (118)
	1/4	3.9	0.22	0.9	945	3.8	0.14	0.9	881	180 (118)
VPA544	1/4	7.5	0.16	1.7	1757	7.3	0.20	1.7	1749	358 (233)
	3/8	8.8	0.07	2.0	1968	8.8	0.13	2.0	2029	350 (233)
VPA744	3/8	12.9	0.10	2.9	2929	13.3	0.24	3.1	3260	693 (476)
	1/2	14.7	0.05	3.3	3256	15.0	0.17	3.4	3534	675 (476)

Note 1) () valves: Values without sub-plate

Note 2) These valves have been calculated according to ISO6358 and indicate the flow rate under standard conditions with an inlet pressure of 0.6 MPa (relative pressure) and a pressure drop of 0.1 MPa.

⚠ Caution

Refer to back pages 1 and 2 for Safety Instructions, "Handling Precautions" for SMC Products" (M-E03-3) for Common Precautions.



Refer to back page 8 for changing the type of actuation.

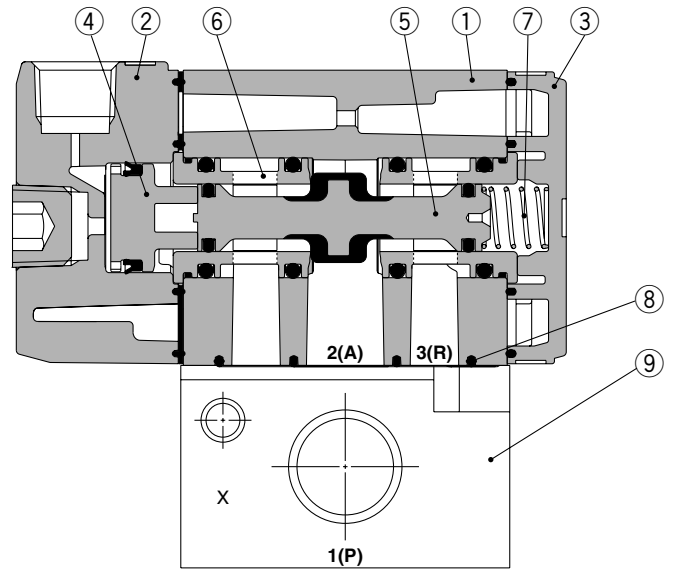
Series VPA300/500/700

Construction

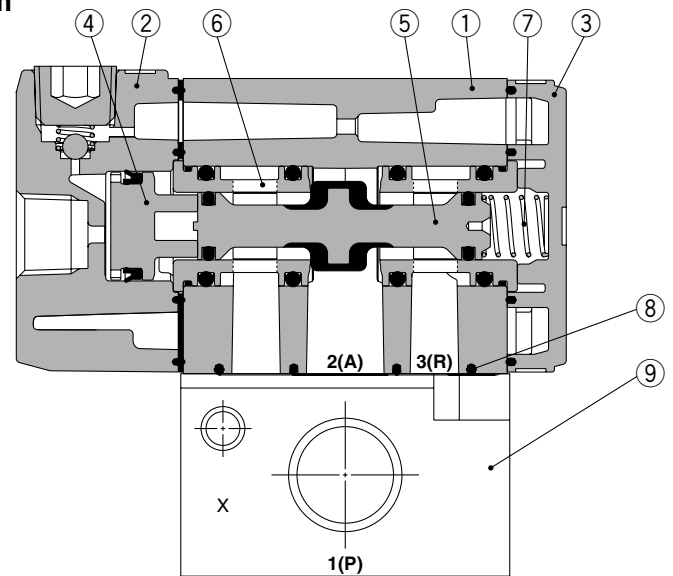
JIS symbol

	N.C.	N.O.
Standard		
For vacuum		

Standard



For vacuum



Component Parts

No.	Description	Material	Note
1	Body	Aluminum die-casted	White
2	Adapter plate	Aluminum die-casted	Grey
3	End plate	Resin	White
4	Piston	Resin	
5	Spool valve	Aluminum/HNBR	
6	Retainer	Resin	
7	Spring	Stainless steel	

Replacement Parts

No.	Description	Part no.			Note
		VP344	VP544	VP744	
8	Gasket	VP300-217-1	VP500-217-1	VP700-217-1	HNBR
9	Sub-plate	VP300-202-□	VP500-202-□	VP700-202-□	Aluminum die-casted
—	Hexagon socket head bolt (1 pc.)	VP300-224-1 (M3 x 36)	VP500-224-1 (M4 x 46)	VP700-224-1 (M5 x 66)	For valve mounting

Caution

Tightening Torque of Mounting Screw

M3: 0.8 N·m
M4: 1.4 N·m
M5: 2.9 N·m

How to Order Sub-plate

VP 3 00 - 202 - 1 □

Series

3	VPA344
5	VPA544
7	VPA744

Thread type

—	Rc
F	G
N	NPT
T	NPTF

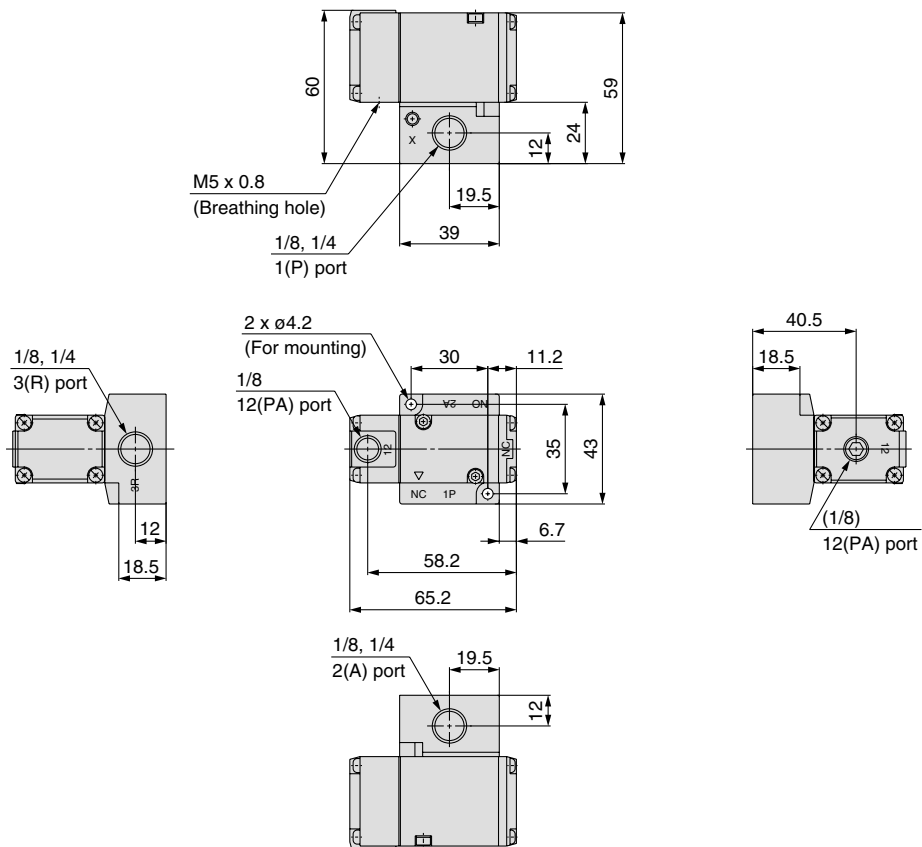
Port size

Symbol	VPA344	VPA544	VPA744
1	1/8	1/4	3/8
2	1/4	3/8	1/2

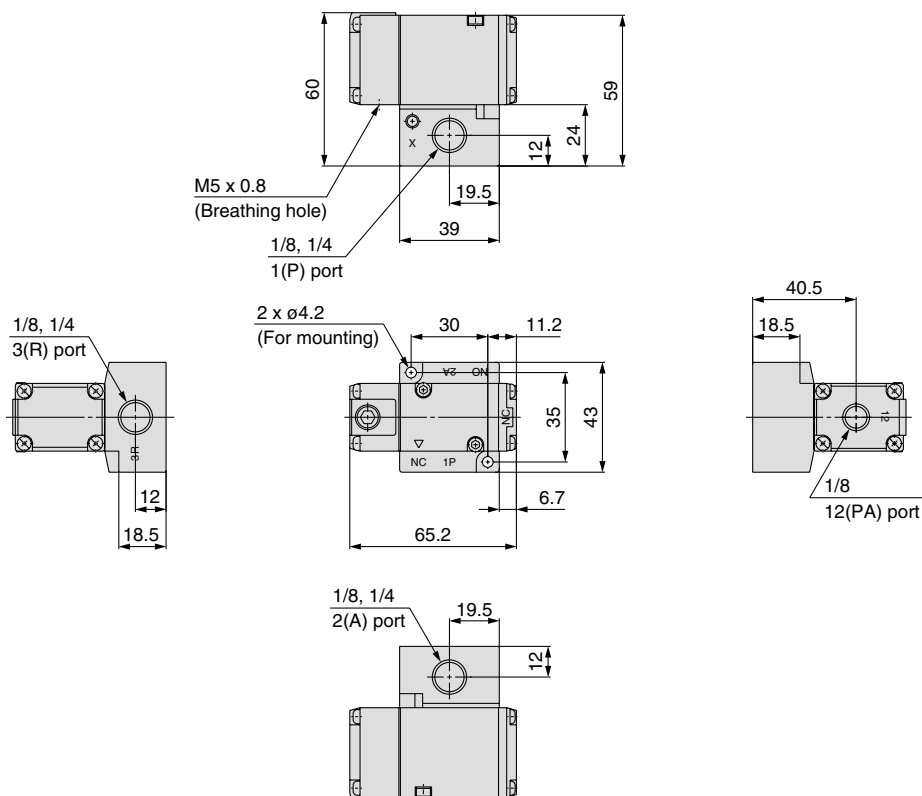
Air Operated Valve Base Mounted/Single Unit *Series VPA300/500/700*

Series VPA300/Base Mounted/Dimensions

Standard/VPA344-1-⁰¹□₀₂ A
B



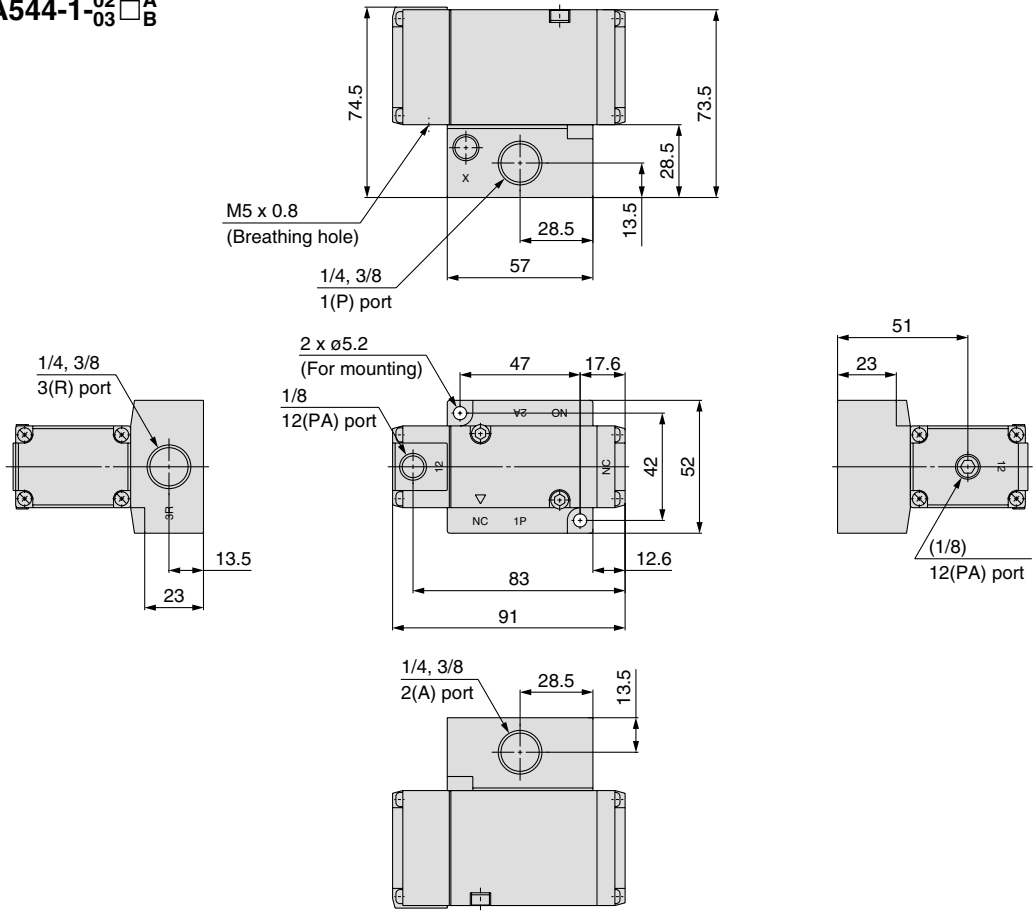
For vacuum/VPA344V-1-⁰¹□₀₂ A
B



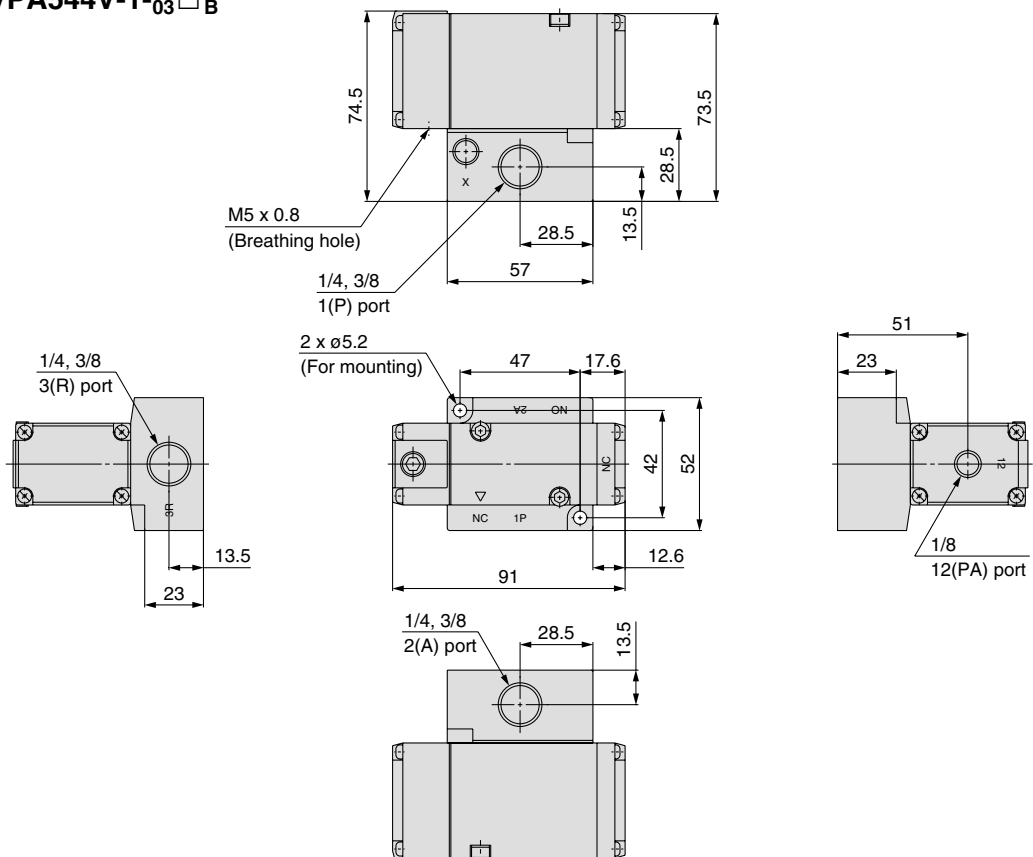
Series VPA300/500/700

Series VPA500/Base Mounted/Dimensions

Standard/VPA544-1-⁰²/₀₃ □^A/_B



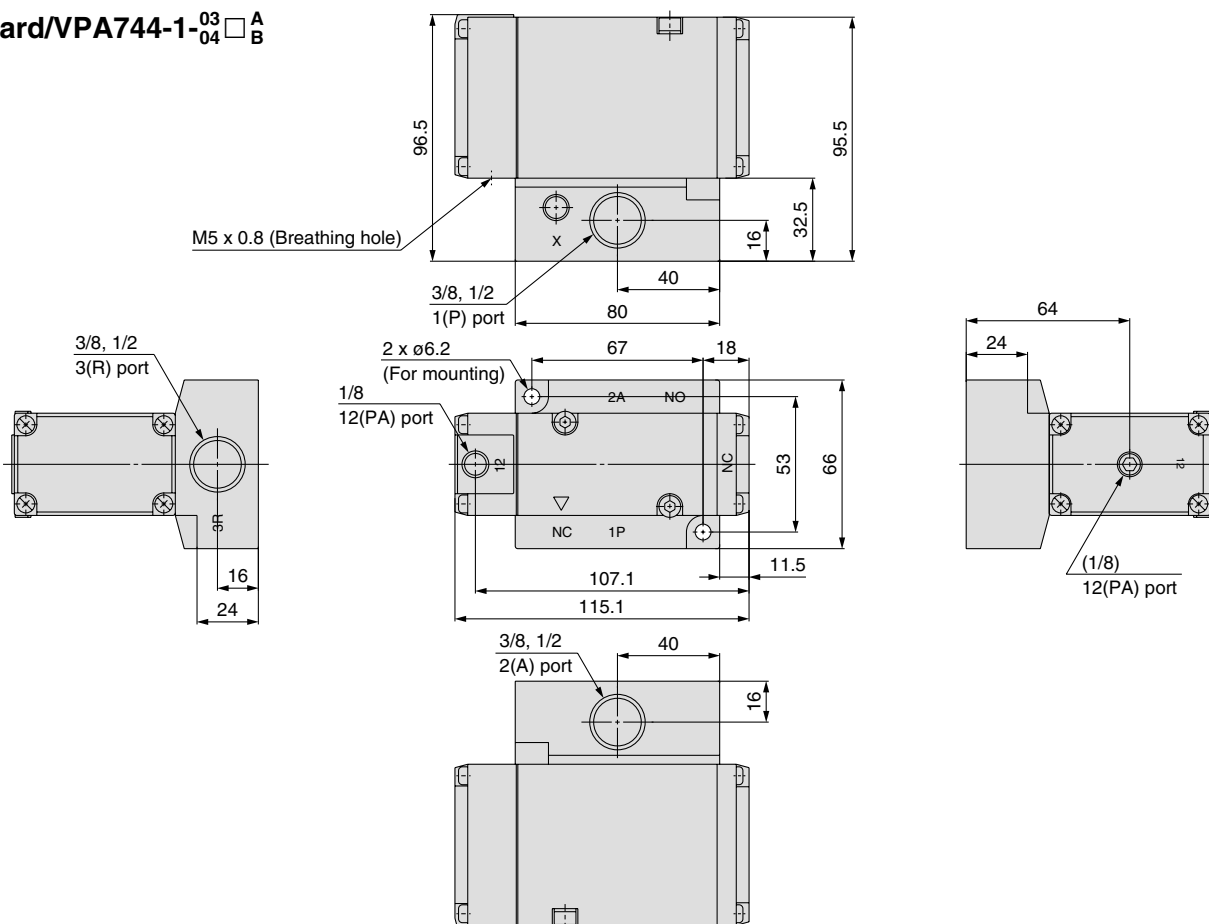
For vacuum/VPA544V-1-⁰²/₀₃ □^A/_B



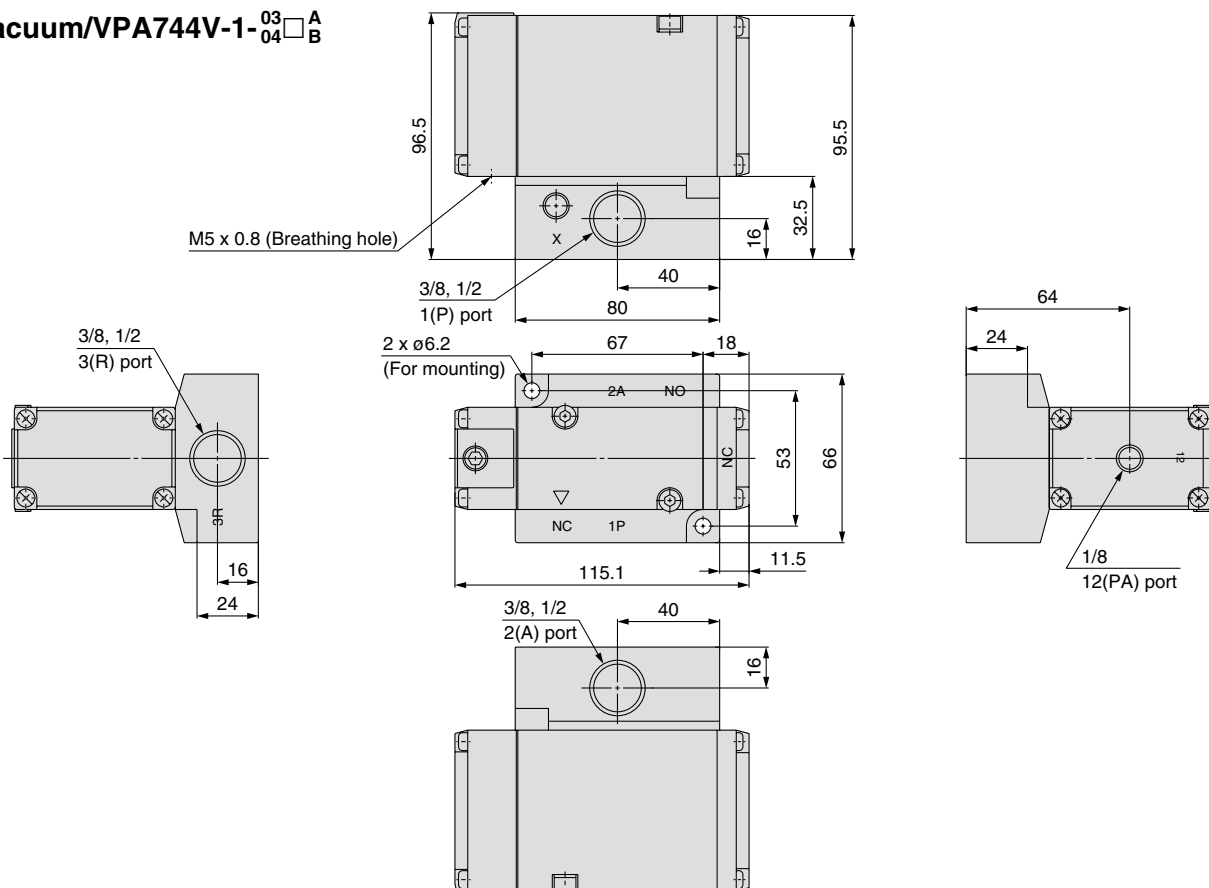
Air Operated Valve Base Mounted/Single Unit *Series VPA300/500/700*

Series VPA700/Base Mounted/Dimensions

Standard/VPA744-1-⁰³/₀₄ □ A
□ B



For vacuum/VPA744V-1-⁰³/₀₄ □ A
□ B

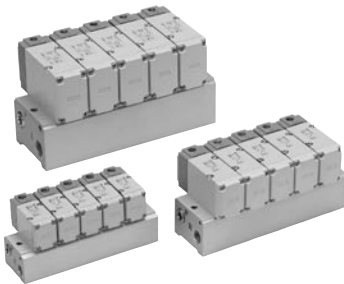


3 Port/Air Operated Valve Manifold Common Exhaust **Type 41** / Individual Exhaust **Type 42** Series **VPA300/500/700**

How to Order Manifold

Type 41/Common exhaust

VV3PA **3** - 41 - **04** 1 - **02** □



Series

3	VPA300
5	VPA500
7	VPA700

Thread type

—	Rc
F	G
N	NPT
T	NPTF

Stations

02	2 stations
⋮	⋮
20	20 stations

Port size

Symbol	Port size	Applicable series
02	1/4	VPA300
03	3/8	VPA500
04	1/2	VPA700

Type 42/Individual exhaust

VV3PA **3** - 42 - **04** 3 - **02** □



Series

3	VPA300
5	VPA500
7	VPA700

Thread type

—	Rc
F	G
N	NPT
T	NPTF

Stations

02	2 stations
⋮	⋮
20	20 stations

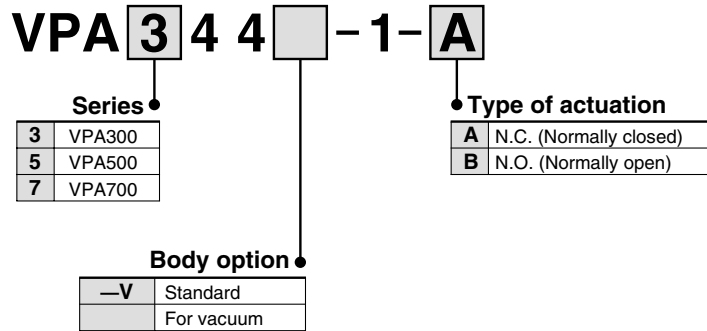
Port size

Symbol	Port size	Applicable series
02	1/4	VPA300
03	3/8	VPA500
04	1/2	VPA700

Manifold Option

Description	Part no.	Applicable manifold base model
Blanking plate assembly (With a gasket and two mounting bolts)	VP300-25-1A	VV3PA3
	VP500-25-1A	VV3PA5
	VP700-25-1A	VV3PA7

How to Order Valve (With a gasket and two mounting bolts)



Manifold Specifications

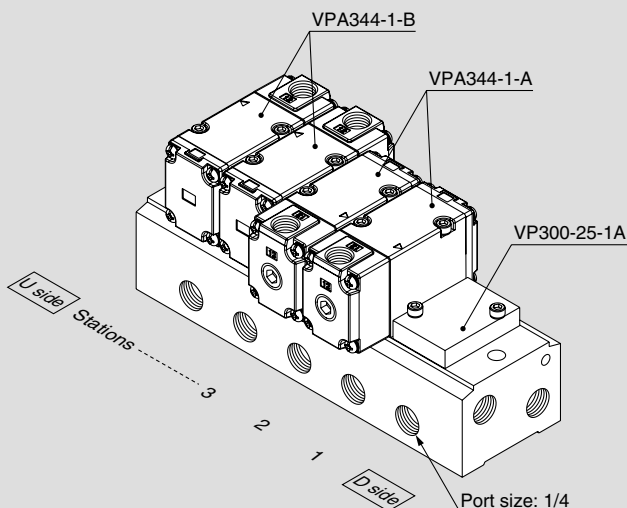
Series	Base model	Piping specifications			Applicable valve	Applicable stations <small>Note)</small>	Manifold base Mass: W [g] Stations: n
		1P (SUP) port type	3R (EXH) port type	Port size			
VPA300	VV3PA3-41	Common	Common	1/4	VPA344	2 to 20 stations	W = 110n + 90
	Individual						
VPA500	VV3PA5-41		Common	3/8	VPA544	2 to 20 stations	W = 190n + 150
	Individual						
VPA700	VV3PA7-41		Common	1/2	VPA744	2 to 20 stations	W = 410n + 380
	Individual						

Note) Supply pressure to 1(P) ports and exhaust air from 3(R) ports on both sides for 10 stations or more.

Refer to back page 8 for changing the type of actuation.

How to Order Manifold Assembly (Example)

Ordering example (VV3PA3-41)



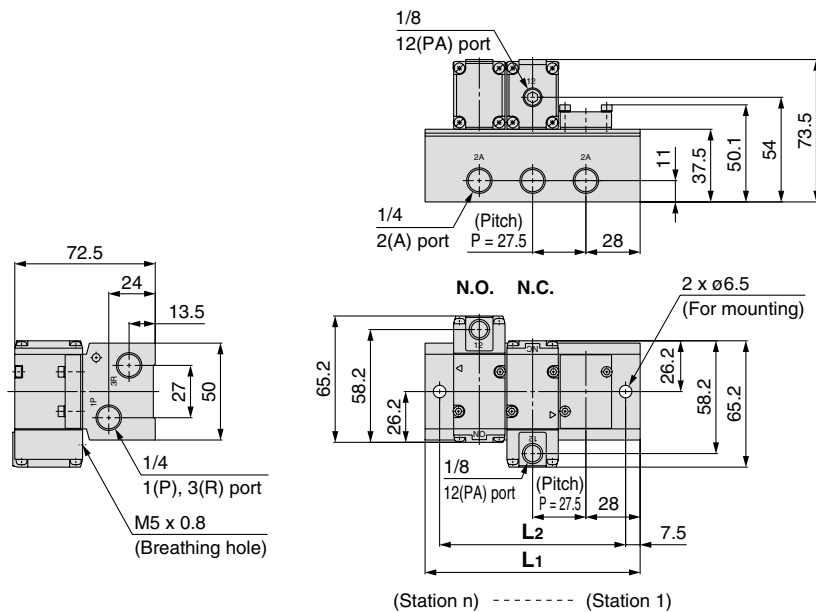
- | | |
|------------------|---|
| VV3PA3-41-051-02 | 1 set (Type 41, 5-station manifold base part no.) |
| * VP300-25-1A | 1 set (Blanking plate assembly part no.) |
| * VPA344-1-A | 2 sets (N.C. type part no.) |
| * VPA344-1-B | 2 sets (N.O. type part no.) |
- ↳ The asterisk denotes the symbol for assembly.
 Prefix it to the part nos. of the valve, etc.

• Indicate the valves to be attached below the manifold part number, in order starting from station 1 as shown in the drawing.

Series VPA300/500/700

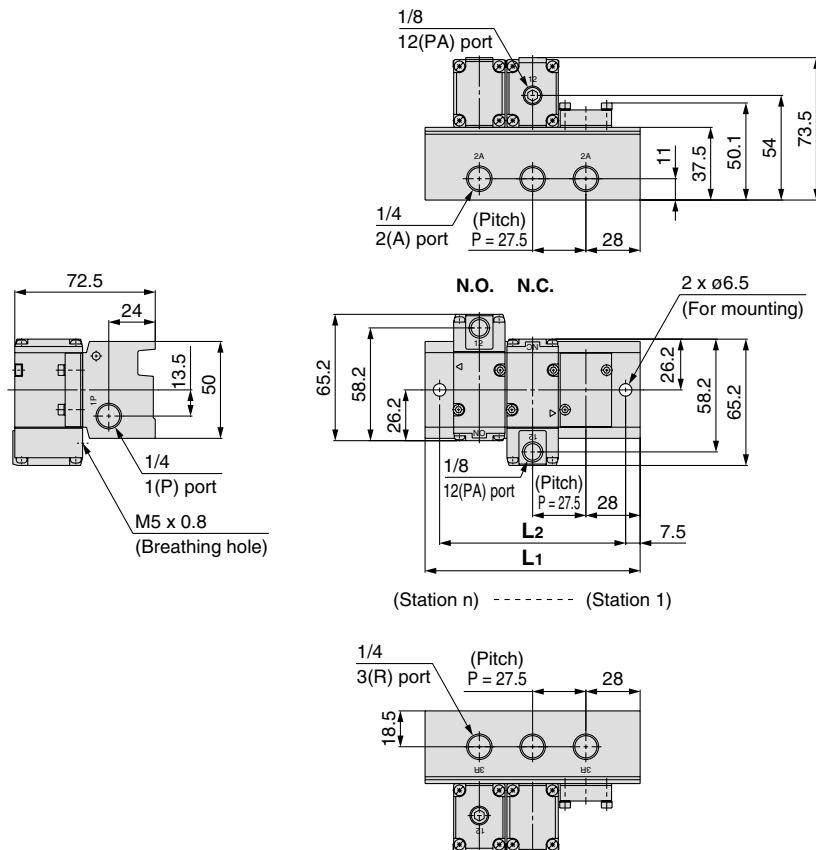
Series VPA300/Dimensions

Type 41/Common exhaust: VV3PA3-41-Stations1-02



Station n	2	3	4	5	6	7	8	9	10	11	12	13	14	15	16	17	18	19	20
L1	83.5	111	138.5	166	193.5	221	248.5	276	303.5	331	358.5	386	413.5	441	468.5	496	523.5	551	578.5
L2	68.5	96	123.5	151	178.5	206	233.5	261	288.5	316	343.5	371	398.5	426	453.5	481	508.5	536	563.5

Type 42/Individual exhaust: VV3PA3-42-Stations3-02



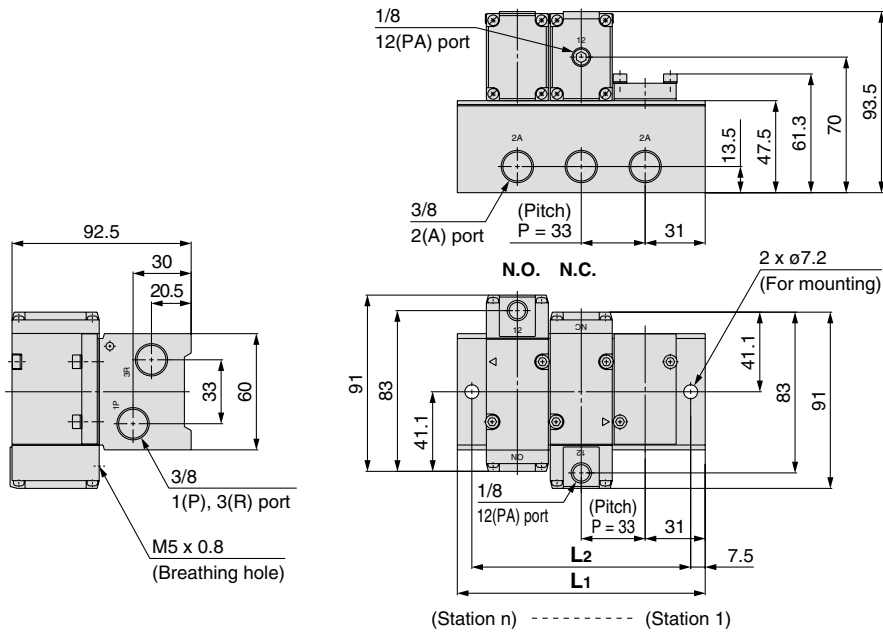
Station n	2	3	4	5	6	7	8	9	10	11	12	13	14	15	16	17	18	19	20
L1	83.5	111	138.5	166	193.5	221	248.5	276	303.5	331	358.5	386	413.5	441	468.5	496	523.5	551	578.5
L2	68.5	96	123.5	151	178.5	206	233.5	261	288.5	316	343.5	371	398.5	426	453.5	481	508.5	536	563.5

Air Operated Valve

Common Exhaust **Type 41** / Individual Exhaust **Type 42** **Series VPA300/500/700**

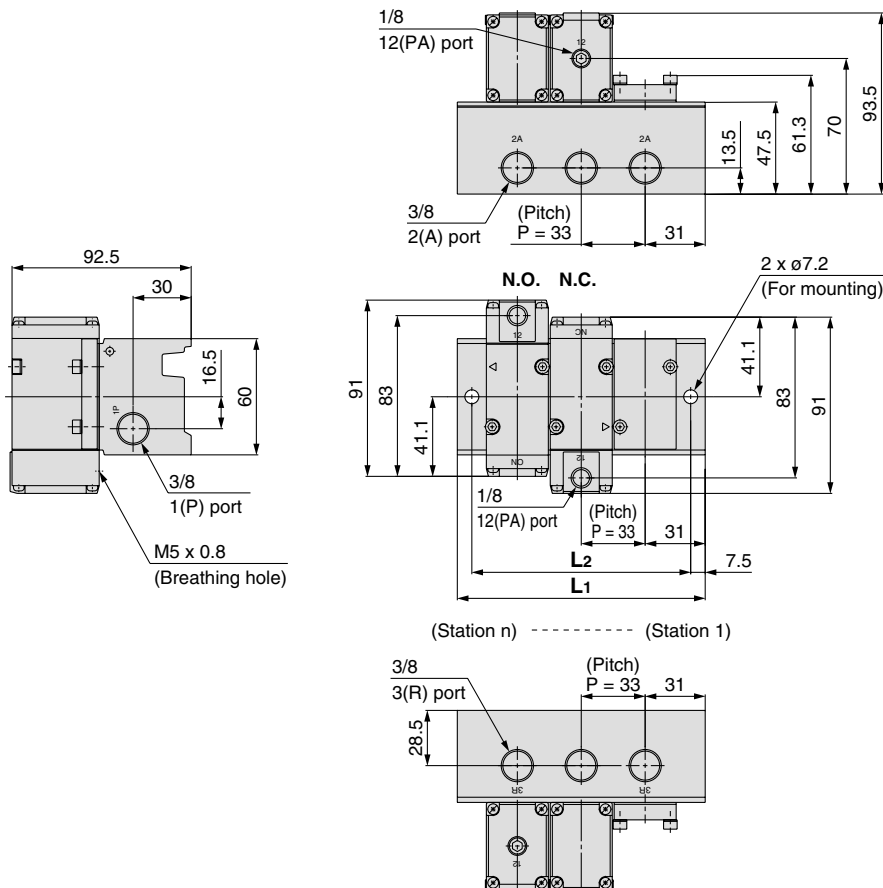
Series VPA500/Dimensions

Type 41/Common exhaust: VV3PA5-41 - Stations 1-03



Station n	2	3	4	5	6	7	8	9	10	11	12	13	14	15	16	17	18	19	20
L1	95	128	161	194	227	260	293	326	359	392	425	458	491	524	557	590	623	656	689
L2	80	113	146	179	212	245	278	311	344	377	410	443	476	509	542	575	608	641	674

Type 42/Individual exhaust: VV3PA5-42 - Stations 3-03

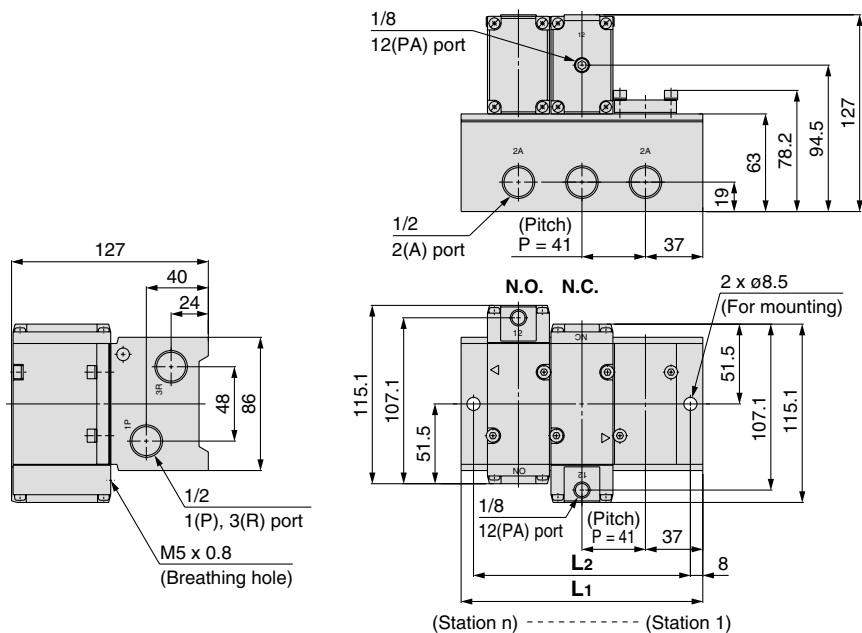


Station n	2	3	4	5	6	7	8	9	10	11	12	13	14	15	16	17	18	19	20
L1	95	128	161	194	227	260	293	326	359	392	425	458	491	524	557	590	623	656	689
L2	80	113	146	179	212	245	278	311	344	377	410	443	476	509	542	575	608	641	674

Series VPA300/500/700

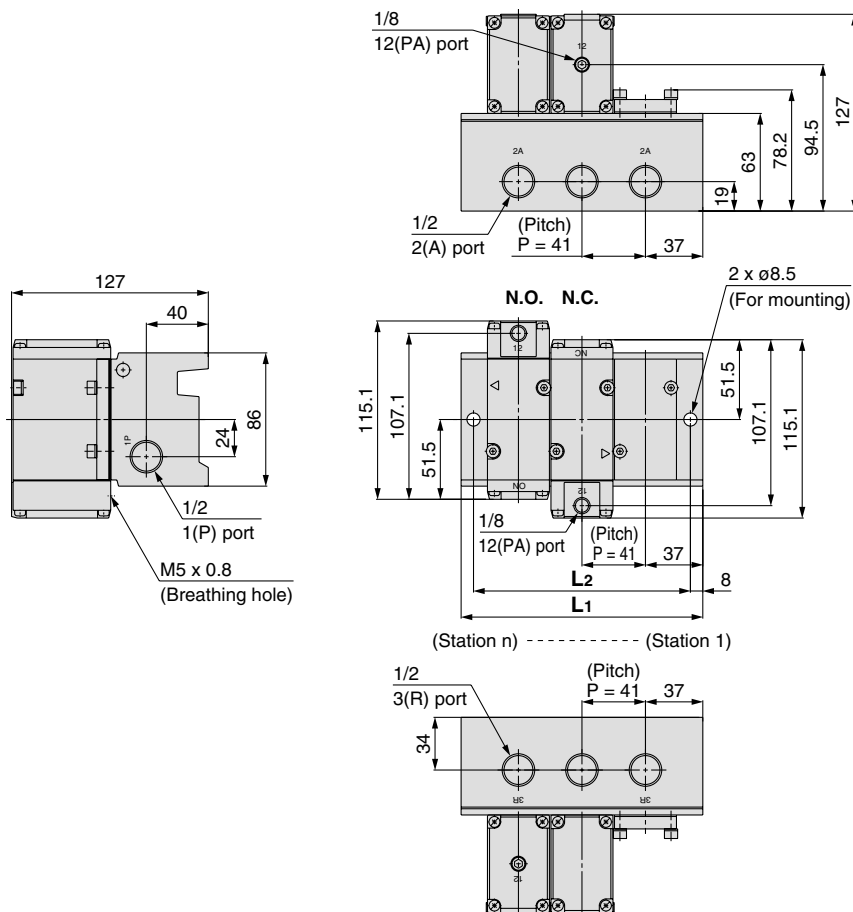
Series VPA700/Dimensions

Type 41/Common exhaust: VV3PA7-41-Stations1-04



Station n	2	3	4	5	6	7	8	9	10	11	12	13	14	15	16	17	18	19	20
L1	115	156	197	238	279	320	361	402	443	484	525	566	607	648	689	730	771	812	853
L2	99	140	181	222	263	304	345	386	427	468	509	550	591	632	673	714	755	796	837

Type 42/Individual exhaust: VV3PA7-42-Stations3-04




Station n	2	3	4	5	6	7	8	9	10	11	12	13	14	15	16	17	18	19	20
L1	115	156	197	238	279	320	361	402	443	484	525	566	607	648	689	730	771	812	853
L2	99	140	181	222	263	304	345	386	427	468	509	550	591	632	673	714	755	796	837





Safety Instructions

These safety instructions are intended to prevent hazardous situations and/or equipment damage. These instructions indicate the level of potential hazard with the labels of “**Caution,**” “**Warning**” or “**Danger.**” They are all important notes for safety and must be followed in addition to International Standards (ISO/IEC) ^{Note 1)} and other safety regulations.

Note 1) ISO 4414: Pneumatic fluid power – General rules relating to systems.
ISO 4413: Hydraulic fluid power – General rules relating to systems.
IEC 60204-1: Safety of machinery – Electrical equipment of machines. (Part 1: General requirements)
ISO 10218: Manipulating industrial robots -Safety.
etc.

 **Caution:** Operator error could result in injury or equipment damage.

 **Warning:** Operator error could result in serious injury or loss of life.

 **Danger :** In extreme conditions, there is a possibility of serious injury or loss of life.

Warning

1. The compatibility of the product is the responsibility of the person who designs the equipment or decides its specifications.

Since the product specified here is used under various operating conditions, its compatibility with specific equipment must be decided by the person who designs the equipment or decides its specifications based on necessary analysis and test results. The expected performance and safety assurance of the equipment will be the responsibility of the person who has determined its compatibility with the product. This person should also continuously review all specifications of the product referring to its latest catalogue information, with a view to giving due consideration to any possibility of equipment failure when configuring the equipment.

2. Only personnel with appropriate training should operate machinery and equipment.

The product specified here may become unsafe if handled incorrectly. The assembly, operation and maintenance of machines or equipment including our products must be performed by an operator who is appropriately trained and experienced.

3. Do not service or attempt to remove product and machinery/equipment until safety is confirmed.

1. The inspection and maintenance of machinery/equipment should only be performed after measures to prevent falling or runaway of the driven objects have been confirmed.

2. When the product is to be removed, confirm that the safety measures as mentioned above are implemented and the power from any appropriate source is cut, and read and understand the specific product precautions of all relevant products carefully.

3. Before machinery/equipment is restarted, take measures to prevent unexpected operation and malfunction.

4. Contact SMC beforehand and take special consideration of safety measures if the product is to be used in any of the following conditions.

1. Conditions and environments outside of the given specifications, or use outdoors or in a place exposed to direct sunlight.

2. Installation on equipment in conjunction with atomic energy, railways, air navigation, space, shipping, vehicles, military, medical treatment, combustion and recreation, or equipment in contact with food and beverages, emergency stop circuits, clutch and brake circuits in press applications, safety equipment or other applications unsuitable for the standard specifications described in the product catalogue.

3. An application which could have negative effects on people, property, or animals requiring special safety analysis.

4. Use in an interlock circuit, which requires the provision of double interlock for possible failure by using a mechanical protective function, and periodical checks to confirm proper operation.



Safety Instructions

Caution

The product is provided for use in manufacturing industries.

The product herein described is basically provided for peaceful use in manufacturing industries.

If considering using the product in other industries, consult SMC beforehand and exchange specifications or a contract if necessary. If anything is unclear, contact your nearest sales branch.

Limited Warranty and Disclaimer/Compliance Requirements

The product used is subject to the following “Limited Warranty and Disclaimer” and “Compliance Requirements”. Read and accept them before using the product.

Limited Warranty and Disclaimer

1. **The warranty period of the product is 1 year in service or 1.5 years after the product is delivered.**^{Note 2)}

Also, the product may have specified durability, running distance or replacement parts. Please consult your nearest sales branch.

2. **For any failure or damage reported within the warranty period which is clearly our responsibility, a replacement product or necessary parts will be provided.**

This limited warranty applies only to our product independently, and not to any other damage incurred due to the failure of the product.

3. **Prior to using SMC products, please read and understand the warranty terms and disclaimers noted in the specified catalogue for the particular products.**

Note 2) Vacuum pads are excluded from this 1 year warranty.

A vacuum pad is a consumable part, so it is warranted for a year after it is delivered.

Also, even within the warranty period, the wear of a product due to the use of the vacuum pad or failure due to the deterioration of rubber material are not covered by the limited warranty.

Compliance Requirements

When the product is exported, strictly follow the laws required by the Ministry of Economy, Trade and Industry (Foreign Exchange and Foreign Trade Control Law).



Series VP

Specific Product Precautions 1

Be sure to read before handling.

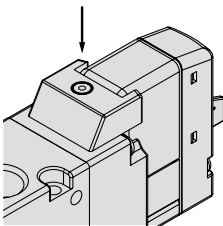
Refer to back pages 1 and 2 for Safety Instructions, "Handling Precautions for SMC Products" (M-E03-3) for 3/4/5 Port Solenoid Valves Precautions.

Manual Override

Warning

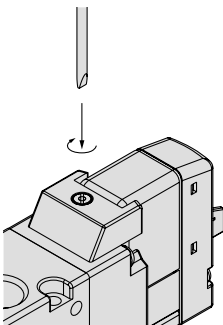
When no electric signal is applied to the solenoid valve. The manual override is used for switching the main valve. Connected actuator is started by manual operation. Use the manual override after confirming that there is no danger.

■ Non-locking push type

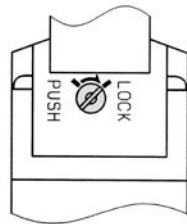


Push down on the manual override button with a small screwdriver until it stops. Release the screwdriver and the manual override will return.

■ Push-turn locking slotted type

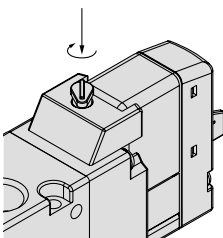


Locked condition

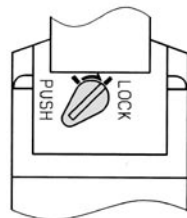


Push the manual override button with a small flat head screwdriver until it stops. Turn it in the clockwise direction 90° to lock the manual. Turn it counterclockwise to release it.

■ Push-turn locking lever type



Locked condition



After pushing down, turn in the direction of the arrow. If it is not turned, it can be operated the same way as the non-locking type.

Caution

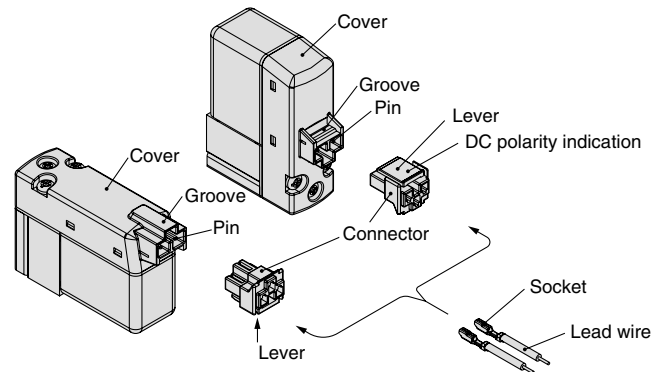
When locking the manual override with the push-turn locking type (D or E type), be sure to push it down before turning. Turning without first pushing it down can cause damage to the manual override and other troubles such as air leakage, etc. Do not apply excessive torque when turning the locking type manual override. (0.1 N·m)

How to Use L/M-Type Plug Connector

Caution

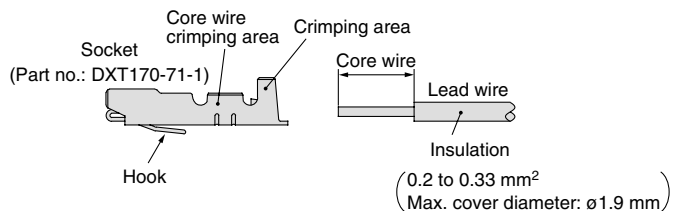
1. Attaching and detaching connectors

- To attach a connector, hold the lever and connector unit between your fingers and insert straight onto the pins of the solenoid valve so that the lever's pawl is pushed into the groove and locks.
- To detach a connector, remove the pawl from the groove by pushing the lever downward with your thumb, and pull the connector straight out.



2. Crimping lead wires and sockets

Strip 3.2 to 3.7 mm at the end of the lead wires, insert the ends of the core wires evenly into the sockets, and then crimp with a crimping tool. When this is done, take care that the coverings of the lead wires do not enter the core wire crimping area. (Please contact SMC for details on the crimping tool.)



Note) It is not necessary to crimp lead wires and socket if ordering the lead wire pre-connected model.

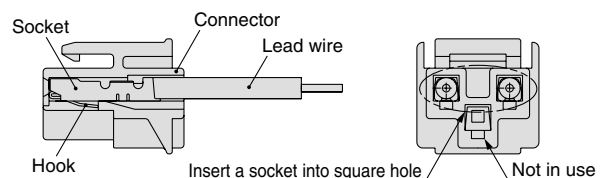
3. Attaching and detaching sockets with lead wire

• Attaching

Insert the sockets into the square holes of the connector (⊕, ⊖ indication), and continue to push the sockets all the way in until they lock by hooking into the seats in the connector. (When they are pushed in, their hooks open and they are locked automatically.) Then, confirm that they are locked by pulling lightly on the lead wires.

• Detaching

To detach a socket from a connector, pull out the lead wire while pressing the socket's hook with a stick having a thin tip (approx. 1 mm). If the socket will be used again, first spread the hook outward.





Series VP

Specific Product Precautions 2

Be sure to read before handling.

Refer to back pages 1 and 2 for Safety Instructions, "Handling Precautions for SMC Products" (M-E03-3) for 3/4/5 Port Solenoid Valves Precautions.

Plug Connector Lead Wire Length

Caution

Plug connector lead wires have a standard length of 300 mm, however, the following lengths are also available.

How to Order Connector Assembly

- DC : V200-30-4A-□
- 100 VAC : V200-30-1A-□
- 200 VAC : V200-30-2A-□
- AC other voltages: V200-30-3A-□

Without lead wire : V200-30-A
(With connector and 2 pcs. of socket)

Lead wire length

Nil	300 mm
6	600 mm
10	1000 mm
15	1500 mm
20	2000 mm
25	2500 mm
30	3000 mm
50	5000 mm

How to Order

Include the connector assembly part number together with the part number for the plug connector's solenoid valve without connector.

(Example) 2000 mm lead wire length:

DC	AC
VP342-5LO1-01A	VP342-1LO1-01A
V200-30-4A-20	V200-30-1A-20

How to Use DIN Terminal

The DIN terminal type with an IP65 enclosure is protected against dust and water, however, it must not be used in water.

Caution

Connection

- 1) Loosen the set screw and pull the connector out of the solenoid valve terminal block.
- 2) After removing the set screw, insert a flat head screwdriver into the notch on the bottom of the terminal block and pry it open, separating the terminal block and the housing.
- 3) Loosen the terminal screws on the terminal block, insert the core of the lead wire into the terminal, and attach securely with the terminal screws.
In addition, when using the DC mode type with a surge voltage suppressor (polar: S and Z types), connect wires corresponding to the polarity (+ or -) that is printed on the terminal block.
- 4) Tighten the ground nut to secure the wire.
In the case of connecting wires, select cable cords carefully because if those out of the specified range ($\phi 4.5$ to $\phi 7$) are used, it will not be able to satisfy IP65 (enclosure).
Tighten the ground nut and set screw within the specified range of torque.

Changing the entry direction

After separating terminal block and housing, the cord entry direction can be changed by attaching the housing in the opposite direction.

Note) Make sure not to damage elements, etc., with the lead wires of the cord.

Precautions

Plug in and pull out the connector vertically without tilting to one side.

Applicable cable

Cable O.D.: $\phi 4.5$ to $\phi 7$.

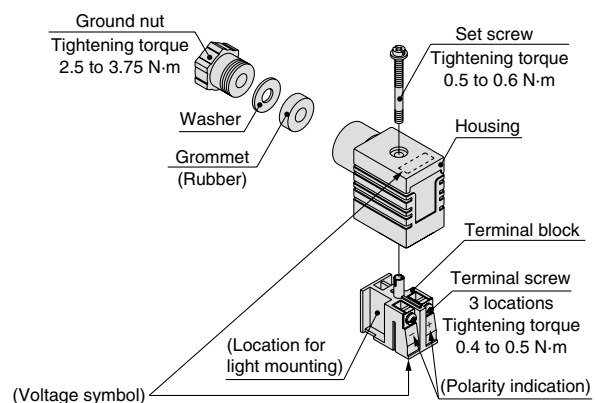
(Reference) 0.5 mm^2 to 1.5 mm^2 , 2-core or 3-core, equivalent to JIS C 3306.

Applicable crimped terminal

O terminal: R1.25-4M that is specified in JIS C 2805.

Y terminal: 1.25-3L, which is released by JST Mfg. Co., Ltd.

Stick terminal: size 1.5 or shorter.





Series VP

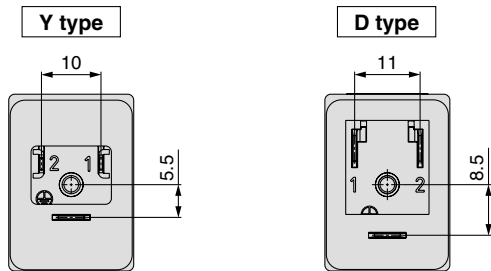
Specific Product Precautions 3

Be sure to read before handling.

Refer to back pages 1 and 2 for Safety Instructions, "Handling Precautions for SMC Products" (M-E03-3) for 3/4/5 Port Solenoid Valves Precautions.

DIN (EN175301-803) Terminal

Y type DIN terminal corresponds to the DIN connector with terminal pitch 10 mm, which complies with EN175301-803B. Since the terminal pitch is different from the D type DIN connector, these two types are not interchangeable.



How to Order DIN Connector

⚠ Caution

● Without indicator light:

DC, AC, Other voltages: V200-□-1

● With indicator light:

DC

Polar type (□Z) : V200-□-3-□

Non-polar type (□U) : V200-□-5-□

● Rated voltage

05	24 VDC
06	12 VDC

AC (□Z)

: V200-□-7-□

Connector specification ●

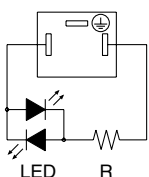
61	D type
63	Y type

● Rated voltage

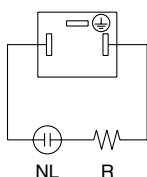
01	100/110 VAC [115 VAC]
02	200/220 VAC [230 VAC]
07	240 VAC

Circuit with indicator light (Built-in connector)

DC (□U) circuit

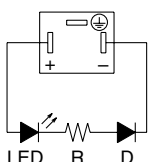


AC (□Z) circuit



LED: Light emitting diode, R: Resistor NL: Neon bulb, R: Resistor

DC (□Z) circuit



LED: Light emitting diode
D: Protective diode
R: Resistor

How to Use Conduit Terminal

⚠ Caution

Connection

1) Loosen the set screw and remove the terminal block cover from the terminal block.

2) Loosen the terminal screws on the terminal block, insert the core of the lead wire or crimped terminal into the terminal, and attach securely with the terminal screws.

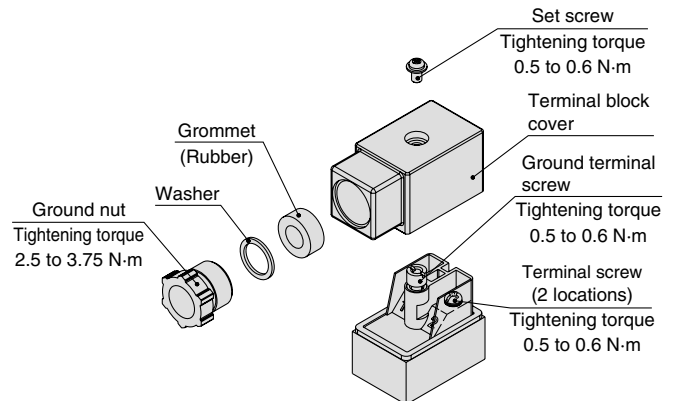
In addition, when using the DC mode type with a surge voltage suppressor (polar: S and Z types), connect wires to terminal 1 and 2 corresponding to the polarity (+ or -) as shown on the figure on the right.



3) Secure the cord by fastening the ground nut.

In case of connecting wires, select cable cords carefully because if those out of the specified range (ø4.5 to ø7) are used, it will not be able to satisfy IP65 (enclosure).

Tighten the ground nut and set screw within the specified range of torque.



Applicable cable

Cable O.D.: ø4.5 to ø7.

(Reference) 0.5 mm² to 1.5 mm², 2-core or 3-core, equivalent to JIS C 3306.

Applicable crimped terminal

O terminal: Equivalent to R1.25-3 that is specified in JIS C 2805.

Y terminal: Equivalent to 1.25-3, which is released by JST Mfg. Co., Ltd.

Note) Use O terminal when a ground terminal is used.



Series VP

Specific Product Precautions 4

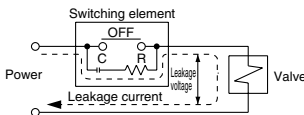
Be sure to read before handling.

Refer to back pages 1 and 2 for Safety Instructions, "Handling Precautions for SMC Products" (M-E03-3) for 3/4/5 Port Solenoid Valves Precautions.

Leakage Voltage

Caution

Especially when a resistor and a switching element are used in parallel or C-R device (surge voltage suppressor) is used for the protection of the switching device, note that leakage voltage will be increased by passing leakage voltage through the resistor and C-R device. Therefore, suppressor residual leakage voltage should be as follows.



DC coil

3% or less of the rated voltage

AC coil

8% or less of the rated voltage

Continuous Duty

Caution

- If a valve is continuously energized for long periods of time, the rise in temperature due to heat-up of the coil assembly may cause a decline in solenoid valve performance, reduce service life, or have adverse effects on peripheral equipment. If the valve is continuously energized for a long time, or the total energizing time per day becomes longer than the non-energizing time, use a valve with power saving circuit. Also, it is possible to reduce the energizing time by using a N.O. (normally open) valve.
- When the valve is mounted onto a control panel, take measures against radiation in order to keep the valve temperature within the specified range.

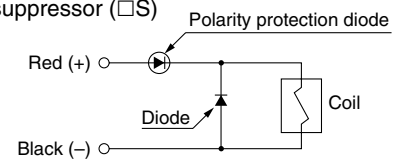
Light/Surge Voltage Suppressor

Caution

<DC>

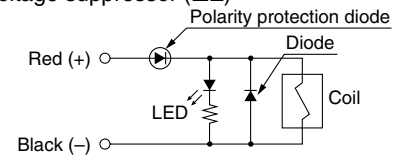
■ Polar type

With surge voltage suppressor (□S)



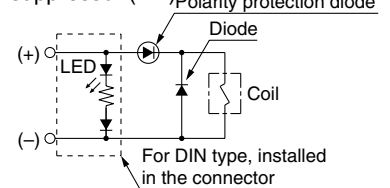
● Grommet or L/M-type plug connector

With light/surge voltage suppressor (□Z)



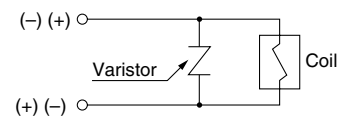
● DIN or Conduit terminal

With light/surge voltage suppressor (□Z)



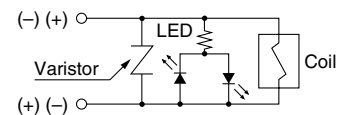
■ Non-polar type

With surge voltage suppressor (□R)



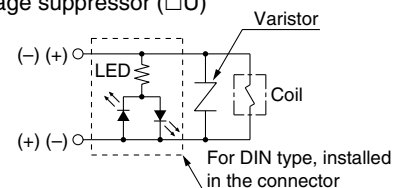
● Grommet or L/M-type plug connector

With light/surge voltage suppressor (□U)



● DIN or Conduit terminal

With light/surge voltage suppressor (□U)



- Please connect correctly the lead wires to + (positive) and - (negative) indications on the connector. (For non-polar type, the lead wires can be connected to either one.)
- When the valve with mis-wiring protection diode is used, the voltage will drop by approx. 1 V. Therefore, pay attention to the allowable voltage fluctuation (For details, refer to the solenoid specification of each type of valve).
- Solenoids, whose lead wires have been pre-wired: + (positive) side red and - (negative) side black.



Series VP

Specific Product Precautions 5

Be sure to read before handling.

Refer to back pages 1 and 2 for Safety Instructions, "Handling Precautions for SMC Products" (M-E03-3) for 3/4/5 Port Solenoid Valves Precautions.

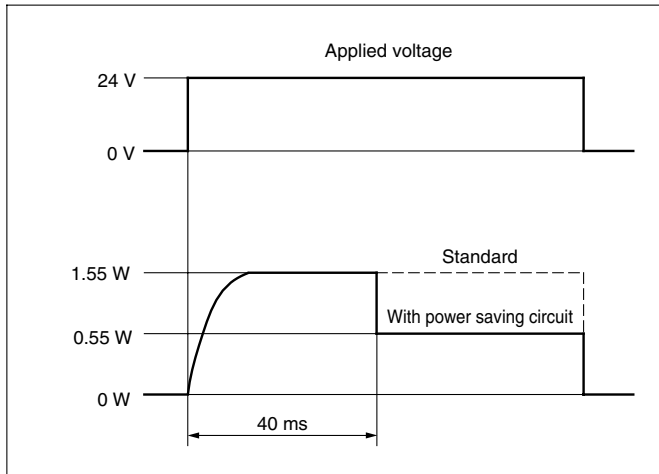
Light/Surge Voltage Suppressor

■ With power saving circuit

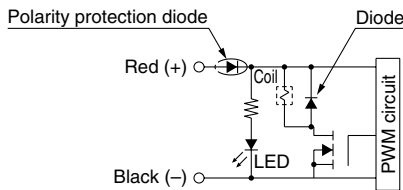
Power consumption is decreased by approx. 1/3 by reducing the wattage required to hold the valve in an energized state. (Effective energizing time is over 40 ms at 24 VDC.)

Refer to the electrical power waveform as shown below.

<Electrical power waveform of energy saving type>



- Since the voltage will drop by approx. 0.5 V due to the transistor, pay attention to the allowable voltage fluctuation. (For details, refer to the solenoid specifications of each type of valve.)

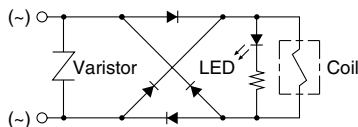


<AC>

There is no S option, since a rectifier prevents surge voltage generation.

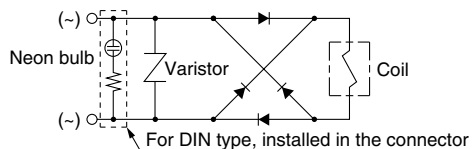
- Grommet or L/M-type plug connector

With light/surge voltage suppressor (□Z)



- DIN or Conduit terminal

With light/surge voltage suppressor (□Z)



⚠ Caution

Residual voltage of the surge voltage suppressor

Note) if a varistor or diode surge voltage suppressor is used, there is some residual voltage to the protection element and rated voltage. Therefore, refer to the table below and pay attention to the surge voltage protection on the controller side. Also, since the response time does change, refer to the specifications on page 2 and 9.

Residual Voltage

Surge voltage suppressor	DC		AC
	24	12	
S, Z	Approx. 1 V		Approx. 1 V
R, U	Approx. 47 V	Approx. 32 V	—

Countermeasure for Surge Voltage Intrusion

⚠ Caution

With non-polar type solenoid valves, at times of sudden interruption of the loading power supply, such as emergency shutdown, surge voltage intrusion may be generated from loading equipment with a large capacity (power consumption), and the solenoid valve in a de-energized state may switch over (see Figure 1).

When installing a breaker circuit for the loading power supply, consider using a solenoid valve with polarity (with polarity protection diode), or install a surge absorption diode between the loading equipment COM line and the output equipment COM line (see Figure 2).

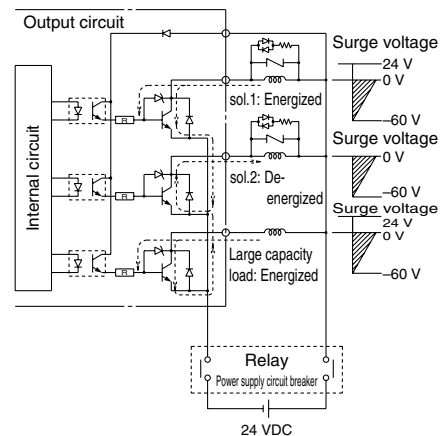


Figure 1. Surge intrusion circuit example (NPN outlet example) (24 VDC)

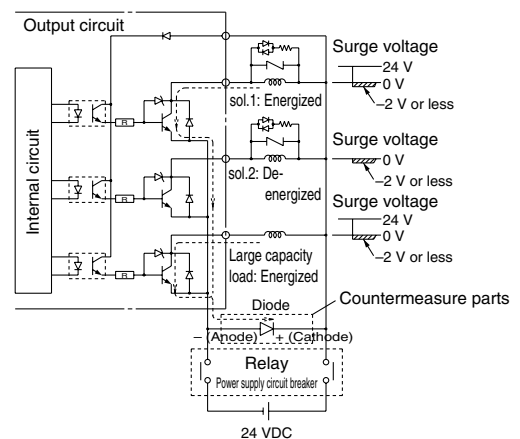


Figure 2. Surge intrusion circuit example (NPN outlet example) (24 VDC)



Series VP

Specific Product Precautions 6

Be sure to read before handling.

Refer to back pages 1 and 2 for Safety Instructions, "Handling Precautions for SMC Products" (M-E03-3) for 3/4/5 Port Solenoid Valves Precautions.

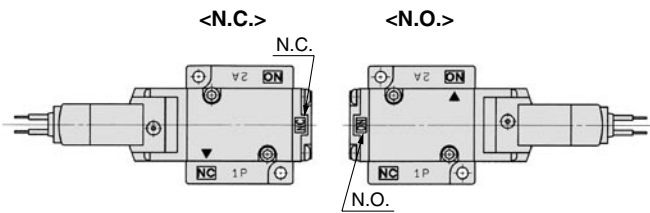
Type of Actuation Changing

Warning

When changing the actuation or restarting the valve after the change, make sure that safety is fully assured.

Example: Changing from N.C. to N.O.

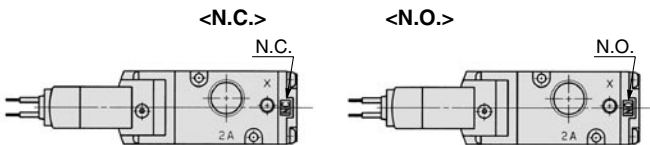
1) Base mounted



1. Remove the body from the sub-plate and reset the "▼" mark on the body corresponding to the "N.O." mark on the sub-plate as shown in the figure above.
2. Remove the end plate from the body and rotate the end plate by 180° so that the "N.O." mark on the end plate is at the top of the valve.

Note) It is not necessary to change the piping when this is done.

2) Body ported



- Remove the end plate from the body and rotate the end plate by 180° to correspond the "N.O." mark on the end plate to the top of the valve.

Note) Piping should be arranged as follows.

Type of actuation \ Port	1P	2A	3R
N.C.	Inlet side	Outlet side	Exhaust side
N.O.	Exhaust side	Outlet side	Inlet side

One-touch Fittings

Caution

When fittings are used, they may interfere with others depending on their types and sizes. Therefore, the dimensions of the fittings to be used should first be confirmed in their respective catalogues.

Fittings compliant with the VP series are stated below. If the fitting within the applicable range is selected, there will not be any interference.

Applicable Fittings: Series KQ2H, KQ2S

Series	Piping port	Port size	Applicable tubing O.D.						
			ø3.2	ø4	ø6	ø8	ø10	ø12	ø16
VP(A)300	1P, 2A, 3R	1/8, 1/4	[Shaded bar]						
	X	M5	[Shaded bar]						
VP(A)500	1P, 2A, 3R	1/4, 3/8	[Shaded bar]						
	X	1/8	[Shaded bar]						
VP(A)700	1P, 2A, 3R	3/8, 1/2	[Shaded bar]						
	X	1/8	[Shaded bar]						
VV3P(A)3 Manifold base	1P, 2A, 3R	1/4	[Shaded bar]						
	X	M5	[Shaded bar]						
VV3P(A)5 Manifold base	1P, 2A, 3R	3/8	[Shaded bar]						
	X	M5	[Shaded bar]						
VV3P(A)7 Manifold base	1P, 2A, 3R	1/2	[Shaded bar]						
	X	1/8	[Shaded bar]						


EUROPEAN SUBSIDIARIES:

Austria

SMC Pneumatik GmbH (Austria).
Girakstrasse 8, A-2100 Korneuburg
Phone: +43 2262-622800, Fax: +43 2262-62285
E-mail: office@smc.at
http://www.smc.at


France

SMC Pneumatique, S.A.
1, Boulevard de Strasbourg, Parc Gustave Eiffel
Bussy Saint Georges F-77607 Marne La Vallée Cedex 3
Phone: +33 (0)1-6476 1000, Fax: +33 (0)1-6476 1010
E-mail: contact@smc-france.fr
http://www.smc-france.fr


Netherlands

SMC Pneumatics BV
De Ruyterkade 120, NL-1011 AB Amsterdam
Phone: +31 (0)20-5318888, Fax: +31 (0)20-5318880
E-mail: info@smcpneumatics.nl
http://www.smcpneumatics.nl


Spain

SMC España, S.A.
Zuazobidea 14, 01015 Vitoria
Phone: +34 945-184 100, Fax: +34 945-184 124
E-mail: post@smc.smces.es
http://www.smc.eu


Belgium

SMC Pneumatics N.V./S.A.
Nijverheidsstraat 20, B-2160 Wommelgem
Phone: +32 (0)3-355-1464, Fax: +32 (0)3-355-1466
E-mail: info@smcpneumatics.be
http://www.smcpneumatics.be


Germany

SMC Pneumatik GmbH
Boschring 13-15, D-63329 Egelsbach
Phone: +49 (0)6103-4020, Fax: +49 (0)6103-402139
E-mail: info@smc-pneumatik.de
http://www.smc-pneumatik.de


Norway

SMC Pneumatics Norway A/S
Vollsveien 13 C, Granfos Næringspark N-1366 Lysaker
Tel: +47 67 12 90 20, Fax: +47 67 12 90 21
E-mail: post@smc-norge.no
http://www.smc-norge.no


Sweden

SMC Pneumatics Sweden AB
Ekhagsvägen 29-31, S-141 71 Huddinge
Phone: +46 (0)8-603 12 00, Fax: +46 (0)8-603 12 90
E-mail: post@smcpneumatics.se
http://www.smc.nu


Bulgaria

SMC Industrial Automation Bulgaria EOOD
Business Park Sofia, Building 8 - 6th floor, BG-1715 Sofia
Phone: +359 2 9744492, Fax: +359 2 9744519
E-mail: office@smc.bg
http://www.smc.bg


Greece

SMC Hellas EPE
Anagenniseos 7-9 - P.C. 14342, N. Philadelphia, Athens
Phone: +30-210-2717265, Fax: +30-210-2717766
E-mail: sales@smchellas.gr
http://www.smchellas.gr


Poland

SMC Industrial Automation Polska Sp.z.o.o.
ul. Poloneza 89, PL-02-826 Warszawa
Phone: +48 22 211 9600, Fax: +48 22 211 9617
E-mail: office@smc.pl
http://www.smc.pl


Switzerland

SMC Pneumatik AG
Dorfstrasse 7, CH-8484 Weisslingen
Phone: +41 (0)52-396-3131, Fax: +41 (0)52-396-3191
E-mail: info@smc.ch
http://www.smc.ch


Croatia

SMC Industrijska automatika d.o.o.
Crnomerec 12, HR-10000 ZAGREB
Phone: +385 1 377 66 74, Fax: +385 1 377 66 74
E-mail: office@smc.hr
http://www.smc.hr


Hungary

SMC Hungary Ipari Automatizálási Kft.
Torbágy út 19, H-2045 Törökbalint
Phone: +36 23 511 390, Fax: +36 23 511 391
E-mail: office@smc.hu
http://www.smc.hu


Portugal

SMC Sucursal Portugal, S.A.
Rua de Eng^o Ferreira Dias 452, 4100-246 Porto
Phone: +351 226 166 570, Fax: +351 226 166 589
E-mail: postpt@smc.smces.es
http://www.smc.eu


Turkey

Entek Pnömatik San. ve Tic. A*.
Perpa Ticaret Merkezi B Blok Kat:11 No: 1625, TR-34386, Okmeydanı, Istanbul
Phone: +90 (0)212-444-0762, Fax: +90 (0)212-221-1519
E-mail: smc@entek.com.tr
http://www.entek.com.tr


Czech Republic

SMC Industrial Automation CZ s.r.o.
Hudcova 78a, CZ-61200 Brno
Phone: +420 5 414 24611, Fax: +420 5 412 18034
E-mail: office@smc.cz
http://www.smc.cz


Ireland

SMC Pneumatics (Ireland) Ltd.
2002 Citywest Business Campus, Naas Road, Saggart, Co. Dublin
Phone: +353 (0)1-403 9000, Fax: +353 (0)1-464-0500
E-mail: sales@smcpneumatics.ie
http://www.smcpneumatics.ie


Romania

SMC Romania srl
Str Frunzei 29, Sector 2, Bucharest
Phone: +40 213205111, Fax: +40 213261489
E-mail: smcromania@smcromania.ro
http://www.smcromania.ro


UK

SMC Pneumatics (UK) Ltd
Vincent Avenue, Crownhill, Milton Keynes, MK8 0AN
Phone: +44 (0)800 1382930 Fax: +44 (0)1908-555064
E-mail: sales@smcpneumatics.co.uk
http://www.smcpneumatics.co.uk


Denmark

SMC Pneumatik A/S
Egeskovvej 1, DK-8700 Horsens
Phone: +45 70252900, Fax: +45 70252901
E-mail: smc@smcdk.com
http://www.smcdk.com


Italy

SMC Italia S.p.A
Via Garibaldi 62, I-20061 Carugate, (Milano)
Phone: +39 (0)2-92711, Fax: +39 (0)2-9271365
E-mail: mailbox@smcitalia.it
http://www.smcitalia.it


Russia

SMC Pneumatik LLC.
4B Sverdlovskaja nab, St. Petersburg 195009
Phone: +7 812 718 5445, Fax: +7 812 718 5449
E-mail: info@smc-pneumatik.ru
http://www.smc-pneumatik.ru


Estonia

SMC Pneumatics Estonia OÜ
Laki 12, 106 21 Tallinn
Phone: +372 6510370, Fax: +372 65110371
E-mail: smc@smcpneumatics.ee
http://www.smcpneumatics.ee


Latvia

SMC Pneumatics Latvia SIA
Dzelzavas str. 120g, Riga LV-1021, LATVIA
Phone: +371 67817700, Fax: +371 67817701
E-mail: info@smclv.lv
http://www.smclv.lv


Slovakia

SMC Priemyselna Automatizácia, s.r.o.
Fatranská 1223, 01301 Teplicka Nad Váhom
Phone: +421 41 3213212 - 6 Fax: +421 41 3213210
E-mail: office@smc.sk
http://www.smc.sk


Finland

SMC Pneumatics Finland Oy
PL72, Tiistinniityntie 4, SF-02231 ESPOO
Phone: +358 207 513513, Fax: +358 207 513595
E-mail: smcffi@smc.fi
http://www.smc.fi


Lithuania

SMC Pneumatics Lietuva, UAB
Oslo g.1, LT-04123 Vilnius
Phone: +370 5 264 81 26, Fax: +370 5 264 81 26


Slovenia

SMC industrijska Avtomatika d.o.o.
Mirska cesta 7, SI-8210 Trebnje
Phone: +386 7 3885412 Fax: +386 7 3885435
E-mail: office@smc.si
http://www.smc.si


OTHER SUBSIDIARIES WORLDWIDE:

ARGENTINA, AUSTRALIA, BOLIVIA, BRASIL, CANADA, CHILE,
CHINA, HONG KONG, INDIA, INDONESIA, MALAYSIA, MEXICO,
NEW ZEALAND, PHILIPPINES, SINGAPORE, SOUTH KOREA,
TAIWAN, THAILAND, USA, VENEZUELA

<http://www.smc.eu>
<http://www.smcworld.com>