

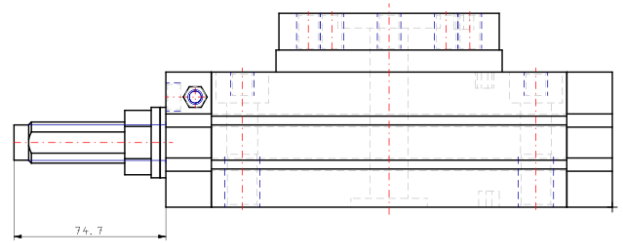
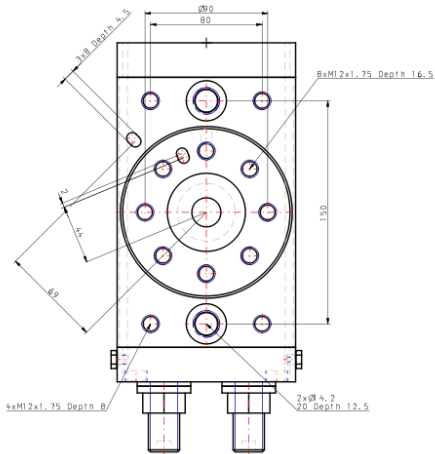
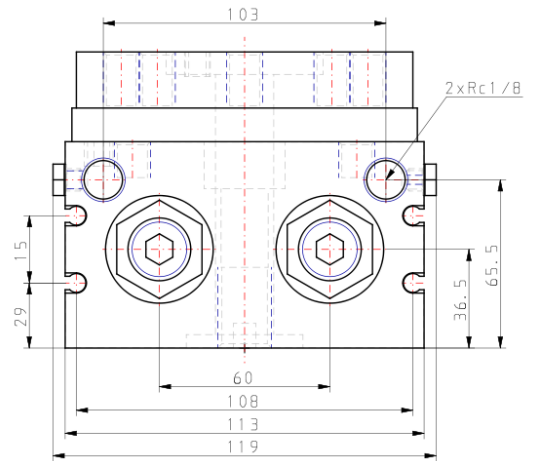
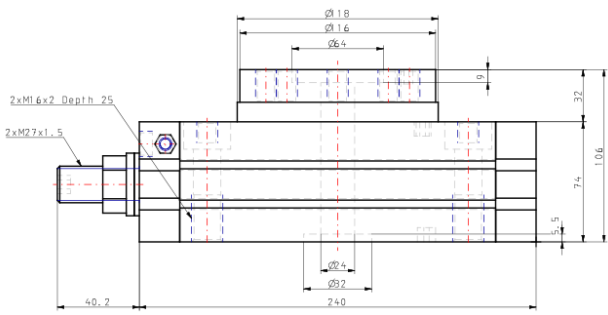
MSQB200A

Data Sheet

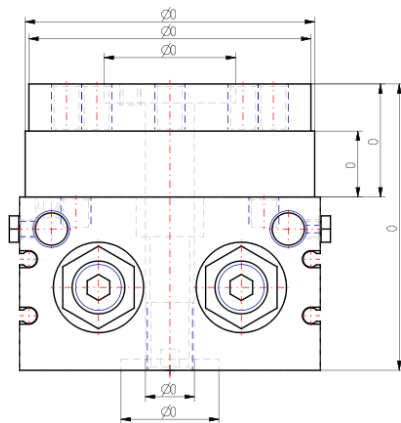
Standard Specifications

Clean Series	None
Model	MSQ
Precision	Basic
Size	200
Suffix	Adjuster Bolt
Auto Switch	No Switch
Lead Wire or Prewired Connector	Or None in the Case of No Switch
Number	Or None in the Case of No Switch
Thread Type	10,20); Rc 1/8 (30,50,70,100,200
Weight	7.600 kg

Dimensions



External Shock Absorber Detail



High Precision Detail

Specifications are subject to change without prior notice and any obligation on the part of the manufacturer.

Related Products



D-M9N
D-**PC, Pre-wired Connector Auto Switch



D-M9P
D-**PC, Pre-wired Connector Auto Switch



D-M9B
D-**PC, Pre-wired Connector Auto Switch



D-M9NW
D-**PC, Pre-wired Connector Auto Switch



D-M9PW
D-**PC, Pre-wired Connector Auto Switch



D-M9BW
D-**PC, Pre-wired Connector Auto Switch



AS2201F-01-10SA
AS*2/3*1F-A, Speed Controller with One-touch Fitting, Push Lock, Elbow/Universal Type



AS2301F-01-10SA
AS*2/3*1F-A, Speed Controller with One-touch Fitting, Push Lock, Elbow/Universal Type



AS2002F-06A
AS*2F-A, Speed Controller, One-touch Fitting, In-line, Push Lock



KQ2H10-01AS
KQ2H, One-touch Fitting White Color - Male Connector



TU1065BU-20
TU, Polyurethane Tubing, Metric Size



AR
AR10-60, Modular Style Regulator



SY
SY3000/5000/7000, Subplate for Single Unit New SY, IP67 Compliant