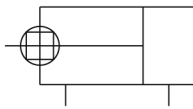




## CP96K(D), ISO 15552 Cylinder, Non-rotating Rod Type, Double Acting, Single/Double Rod with Air cushion CP96KB32-250C

### Data Sheet

- CP96-C, ISO 15552 Cylinder, Double Acting, Single/Double Rod with Air Cushion and bumper.
- New types added: Standard for double rod, Non-rotating rod for double and single rod.
- Rod boot option added for the standard type.
- Integrated function of the air cushion and the bumper.
- Bore sizes (mm): 32 ~ 125.
- Strokes up to 2000 mm.
- Weight reduced by up to 15% thanks to the new the design of the cover and the piston.
- Many made to order available.

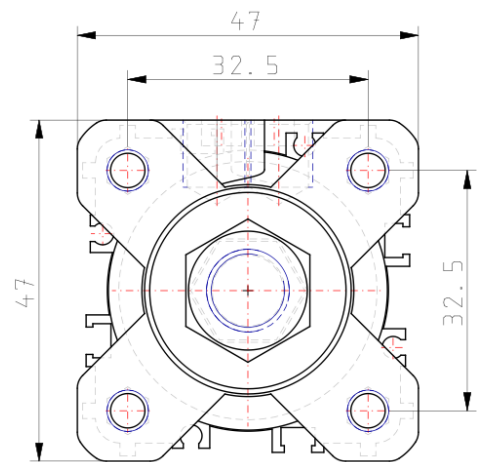
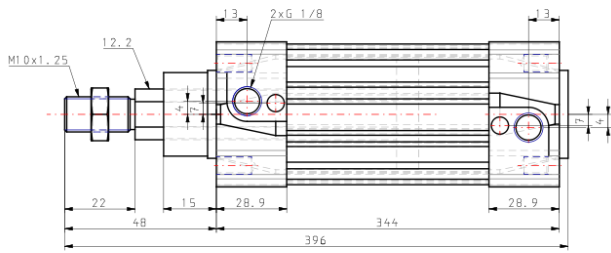


*Double-acting cylinder, non-rotating single  
piston rod*

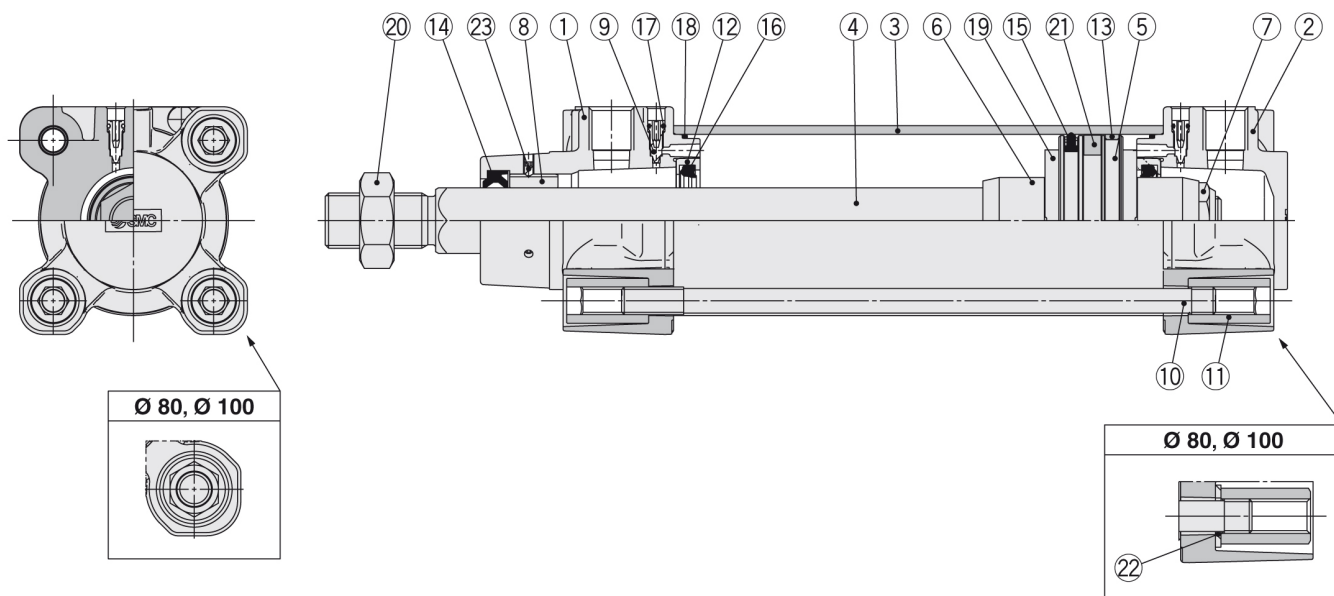
## Standard Specifications

|  |   |
|--|---|
| Magnet   | None  |
| Mounting   | Basic, w/o Bracket  |
| Bore Size  | 32mm  |
| Stroke   | 250 mm  |
| Rod  | Single Rod  |
| Auto Switch  | No Switch   |
| Lead Wire or Prewired Connector                    | Or None in the Case of No Switch  |
| Number   | Or None in the Case of No Switch  |
| Pressure medium                                    | Compressed air  |
| Maximum temperature of pressure medium             | 70 °C   |
| Maximum temperature of pressure medium with magnet | 60 °C   |
| Minimum temperature of pressure medium             | -20 °C (no freezing)  |
| Minimum temperature of pressure medium with magnet | -10 °C (no freezing)  |
| Maximal operating pressure                         | 1.0 MPa   |
| Minimum operating pressure                         | 0.05 MPa  |
| Proof pressure                                     | 1.5 MPa   |
| Maximum ambient temperature                        | 70 °C   |
| Maximum ambient temperature with magnet            | 60 °C   |
| Minimum ambient temperature                        | -20 °C (no freezing)  |
| Minimum ambient temperature with magnet            | -10 °C (no freezing)  |
| Number of pneumatic connections                    | 2 pcs.  |
| Pneumatic input connection                         | G 1/8   |
| Pneumatic exhaust connection                       | G 1/8   |
| Mode of operation of drive                         | Double acting   |
| Maximum piston speed                               | 1,000 mm/s  |
| Type of cushioning                                 | Air cushion on both ends + Bumper cushion   |
| Piston rod end                                     | Male thread   |
| Malethread of rod end                              | M10 x 1.25  |
| Usable tubing material                             | PU  |
| Subfamily  | CP96K(D), ISO 15552 Cylinder, Non-rotating Rod Type, Double Acting, Single/Double Rod w/Air Cushion |
| Weight   | 1.032 kg  |

## Dimensions



## Constructions



### Component Parts

| No. | Description                   | Material           | Q'ty | Note                           |
|-----|-------------------------------|--------------------|------|--------------------------------|
| 1   | Rod cover                     | Aluminium die-cast | 1    | Trivalent chromated            |
| 2   | Head cover                    | Aluminium die-cast | 1    | Trivalent chromated            |
| 3   | Cylinder tube                 | Aluminium alloy    | 1    | Hard anodised                  |
| 4   | Piston rod                    | Stainless steel    | 1    |                                |
| 5   | Piston                        | Aluminium alloy    | 1    |                                |
| 6   | Cushion ring                  | Rolled steel       | 2    | Trivalent zinc chromated       |
| 7   | Piston nut                    | Rolled steel       | 1    | Trivalent zinc chromated       |
| 8   | Non-rotating guide            | Bearing alloy      | 1    |                                |
| 9   | Cushion valve                 | Resin              | 2    |                                |
| 10  | Tie-rod                       | Carbon steel       | 4    | Trivalent zinc chromated       |
| 11  | Tie-rod nut                   | Rolled steel       | 8    | Trivalent zinc chromated       |
| 12  | Cushion seal holder           | Aluminium alloy    | 2    | Anodised                       |
| 13  | Wear ring                     | Resin              | 1    |                                |
| 14  | Rod seal                      | NBR                | 1    |                                |
| 15  | Piston seal                   | NBR                | 1    |                                |
| 16  | Cushion seal                  | Urethane           | 2    |                                |
| 17  | Cushion valve seal            | NBR                | 2    |                                |
| 18  | Cylinder tube gasket          | NBR                | 2    |                                |
| 19  | Bumper                        | Urethane           | 2    |                                |
| 20  | Rod end nut                   | Rolled steel       | 1    | Trivalent zinc chromated       |
| 21  | Magnet                        | —                  | (1)  |                                |
| 22  | Flat washer                   | Steel              | 8    | For Ø 80, Ø 100                |
| 23  | Hexagon socket head set screw | Steel wire         | 2    | Trivalent black zinc chromated |

### Replacement Parts/Seal Kit (Single rod)

| Bore size [mm] | Kit no.  | Contents                         |
|----------------|----------|----------------------------------|
| 32             | CK95-32  | Kits include items<br>⑬ to ⑰, ⑱. |
| 40             | CK95-40  |                                  |
| 50             | CK95-50  |                                  |
| 63             | CK95-63  |                                  |
| 80             | CK95-80  |                                  |
| 100            | CK96-100 |                                  |

### Seal Kit (Double rod)

| Bore size [mm] | Kit no.   | Contents                         |
|----------------|-----------|----------------------------------|
| 32             | CK95W-32  | Kits include items<br>⑭ to ⑰, ⑱. |
| 40             | CK95W-40  |                                  |
| 50             | CK95W-50  |                                  |
| 63             | CK95W-63  |                                  |
| 80             | CK95W-80  |                                  |
| 100            | CK96W-100 |                                  |

## Additional information

Catalogue

[CP96-Bb\\_EU.pdf](#)

## Related Products



### D-M9BWL

M9NW/M9PW/M9BW, 2 Colour Indication Style Solid State Switch, Direct Mounting, Grommet, In-line



### D-M9PWL

M9NW/M9PW/M9BW, 2 Colour Indication Style Solid State Switch, Direct Mounting, Grommet, In-line



### D-M9PWSAPC

D-\*\*PC, Pre-wired Connector Auto Switch



### D-A93L

A90/A93/A96, Reed Switch, Direct Mounting, Grommet, In-line



### AS2201F-01-06SA

AS\*2/3\*1F-A, Speed Controller with One-touch Fitting, Push Lock, Elbow/Universal Type



### AS2301F-01-06SA

AS\*2/3\*1F-A, Speed Controller with One-touch Fitting, Push Lock, Elbow/Universal Type



### ASD330F-01-06S

ASD-T, Tamper Proof Dual Speed Controller



### AS2002F-06

AS\*2F, Speed Controller, One-touch Fitting, In-line, Compact



### JA30-10-125

JA, Floating Joint, Standard



### KQ2H06-G01AS

KQ2H, One-touch Fitting White Color - Male Connector



### TU0604B-20

TU, Polyurethane Tubing, Metric Size



### SY

SY3000/5000/7000, Subplate for Single Unit New SY, IP67 Compliant