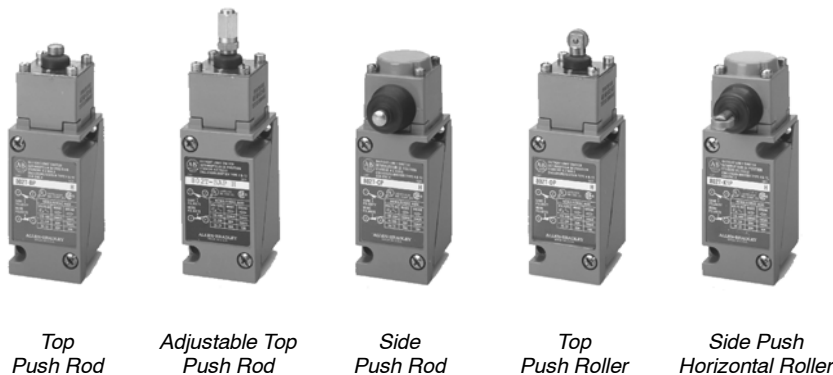
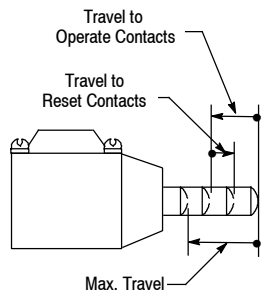


802T Push Type • Spring Return Plug-in Style Oiltight Switches

Range of Operation



Product Selection

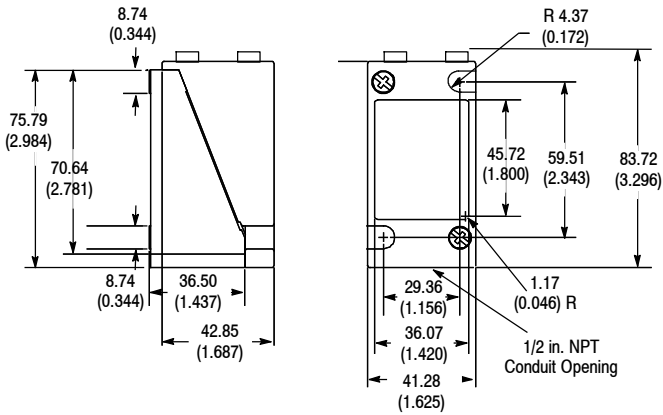
No. of Circuits	Contact Operation		Operator Type	Force to Operate (Max.)	Travel to Operate Contacts (Max.)	Max Travel	Travel to Reset Contacts (Max.)	Cat. No.	
	Normal	Operated						Complete Switch	Switch w/o Base
2	<pre> 1 ○ ○ 2 3 ○ ○ 4 ----- 1 ○ ○ 2 3 ○ ○ 4 </pre>	<pre> 1 ○ ○ 2 3 ○ ○ 4 ----- 1 ○ ○ 2 3 ○ ○ 4 </pre>	Top Push Rod	13.8 N (3.1 lb)	1.4 mm (0.057 in.)	6.0 mm (0.236 in.)	0.7 mm (0.028 in.)	802T-BP	802T-BP1
			Adjustable Top Push Rod					802T-BAP	802T-BAP1
			Side Push Rod	16.4 N (3.7 lb)	3.3 mm (0.131 in.)	5.7 mm (0.226 in.)	1.3 mm (0.052 in.)	802T-CP	802T-CP1
			Top Push Roller	13.8 N (3.1 lb)	1.4 mm (0.057 in.)	6.0 mm (0.236 in.)	0.7 mm (0.028 in.)	802T-DP	802T-DP1
			Side Push Vertical Roller	16.4 N (3.7 lb)	3.3 mm (0.131 in.)	5.7 mm (0.226 in.)	1.3 mm (0.052 in.)	802T-KP	802T-KP1
			Side Push Horizontal Roller					802T-K1P	802T-K1P1
4	<pre> 1 ○ ○ 2 3 ○ ○ 4 5 ○ ○ 6 7 ○ ○ 8 </pre>	<pre> 1 ○ ○ 2 3 ○ ○ 4 5 ○ ○ 6 7 ○ ○ 8 </pre>	Top Push Rod	22.2 N (5.0 lb)	1.4 mm (0.057 in.)	6.0 mm (0.236 in.)	0.7 mm (0.028 in.)	802T-BTP	802T-BTP1
			Adjustable Top Push Rod					802T-BATP	802T-BATP1
			Side Push Rod	24.9 N (5.6 lb)	3.3 mm (0.131 in.)	5.7 mm (0.226 in.)	1.3 mm (0.052 in.)	802T-CTP	802T-CTP1
			Top Push Roller	22.2 N (5.0 lb)	1.4 mm (0.057 in.)	6.0 mm (0.236 in.)	0.7 mm (0.028 in.)	802T-DTP	802T-DTP1
			Side Push Vertical Roller	24.9 N (5.6 lb)	3.3 mm (0.131 in.)	5.7 mm (0.226 in.)	1.3 mm (0.052 in.)	802T-KTP	802T-KTP1
			Side Push Horizontal Roller					802T-K1TP	802T-K1TP1

Modifications and Accessories—See page 5-53.

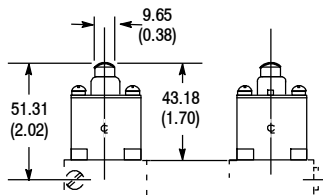
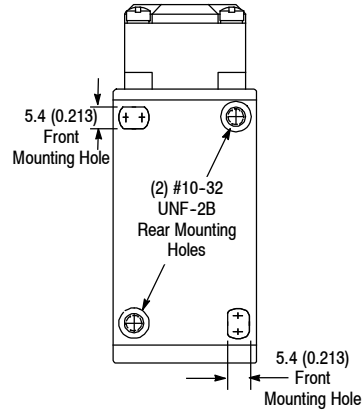
Limit Switches

802T Push Type • Spring Return
Plug-in Style Oiltight Switches

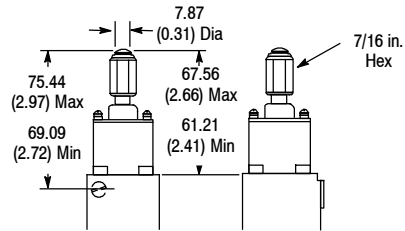
Approximate Dimensions [mm (in.)]



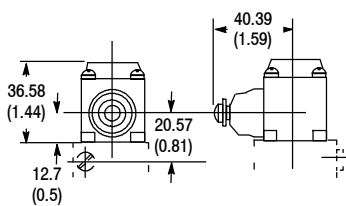
Switch Body



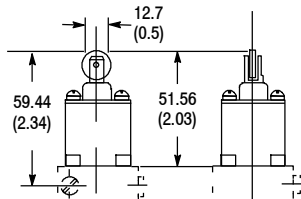
40146-013-59
 Top Push Rod Head
 Shipping Wt. 0.142 kg (5 oz)



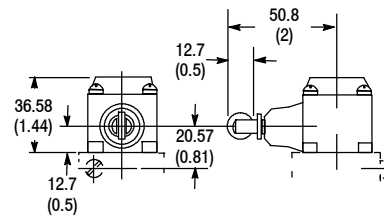
40146-013-65
 Adjustable Top Push Rod Head
 Shipping Wt. 0.142 kg (5 oz)



40146-017-63
 Side Push Rod Head
 Shipping Wt. 0.142 kg (5 oz)



40146-013-60
 Top Push Roller Head
 Shipping Wt. 0.142 kg (5 oz)



40146-017-64
 Side Push Roller Head
 Shipping Wt. 0.142 kg (5 oz)

Modifications and Accessories—See page 5-53.