

# High Resolution Analog I/O Modules

Catalog Numbers 1756-IF8I, 1756-IRT8I, 1756-OF8I, 1756-IR12, 1756-IT16



## Important User Information

Read this document and the documents listed in the additional resources section about installation, configuration, and operation of this equipment before you install, configure, operate, or maintain this product. Users are required to familiarize themselves with installation and wiring instructions in addition to requirements of all applicable codes, laws, and standards.

Activities including installation, adjustments, putting into service, use, assembly, disassembly, and maintenance are required to be carried out by suitably trained personnel in accordance with applicable code of practice.

If this equipment is used in a manner not specified by the manufacturer, the protection provided by the equipment may be impaired.

In no event will Rockwell Automation, Inc. be responsible or liable for indirect or consequential damages resulting from the use or application of this equipment.

The examples and diagrams in this manual are included solely for illustrative purposes. Because of the many variables and requirements associated with any particular installation, Rockwell Automation, Inc. cannot assume responsibility or liability for actual use based on the examples and diagrams.

No patent liability is assumed by Rockwell Automation, Inc. with respect to use of information, circuits, equipment, or software described in this manual.

Reproduction of the contents of this manual, in whole or in part, without written permission of Rockwell Automation, Inc., is prohibited

Throughout this manual, when necessary, we use notes to make you aware of safety considerations.



**WARNING:** Identifies information about practices or circumstances that can cause an explosion in a hazardous environment, which may lead to personal injury or death, property damage, or economic loss.



**ATTENTION:** Identifies information about practices or circumstances that can lead to personal injury or death, property damage, or economic loss. Attentions help you identify a hazard, avoid a hazard, and recognize the consequence.

---

**IMPORTANT** Identifies information that is critical for successful application and understanding of the product.

---

Labels may also be on or inside the equipment to provide specific precautions.



**SHOCK HAZARD:** Labels may be on or inside the equipment, for example, a drive or motor, to alert people that dangerous voltage may be present.



**BURN HAZARD:** Labels may be on or inside the equipment, for example, a drive or motor, to alert people that surfaces may reach dangerous temperatures.



**ARC FLASH HAZARD:** Labels may be on or inside the equipment, for example, a motor control center, to alert people to potential Arc Flash. Arc Flash will cause severe injury or death. Wear proper Personal Protective Equipment (PPE). Follow ALL Regulatory requirements for safe work practices and for Personal Protective Equipment (PPE).

---

<b>Preface</b>	Summary of Changes . . . . .	9
	Product Compatibility and Download Center . . . . .	9
	Additional Resources . . . . .	10
	 <b>Chapter 1</b>	
<b>Analog I/O Module Operation in the ControlLogix System</b>	Before You Begin . . . . .	11
	Ownership . . . . .	13
	1756-OF8I Redundant Owner . . . . .	13
	Configure a Module . . . . .	13
	Direct Connections . . . . .	14
	Input Module Operation . . . . .	15
	Requested Packet Interval (RPI) . . . . .	15
	Input Modules in a Local Chassis . . . . .	16
	Input Modules in a Remote Chassis . . . . .	17
	Trigger Event Tasks . . . . .	17
	Output Module Operation . . . . .	18
	Output Modules in a Local Chassis . . . . .	19
	Output Modules in a Remote Chassis . . . . .	19
	Listen-only Mode . . . . .	20
	 <b>Chapter 2</b>	
<b>Analog I/O Module Features</b>	Common Analog I/O Features . . . . .	22
	CIP Sync Timestamp of Data . . . . .	22
	Rolling Timestamp of Data . . . . .	23
	Floating Point Data Format . . . . .	23
	Module Quality Reporting . . . . .	24
	Calibration . . . . .	25
	Fault and Status Reporting . . . . .	25
	Configurable Software . . . . .	26
	Latching of Alarms . . . . .	26
	Module Inhibiting . . . . .	27
	Electronic Keying . . . . .	28
	Elegant Migration Emulation Mode . . . . .	29
	Relationship between Module Resolution and Scaling . . . . .	31
	Module Resolution . . . . .	31
	Scaling . . . . .	32
	Calibration . . . . .	33
	Calibrated Accuracy . . . . .	34
	Error Calculated over Hardware Range . . . . .	34
	RTD and Thermocouple Error Calculations . . . . .	34
	RTD Error . . . . .	35
	Thermocouple Error . . . . .	35
	Module Error at 25 °C (77 °F) . . . . .	36
	Thermocouple Resolution . . . . .	38

<b>1756-IF8I Isolated Analog Input Module</b>	<p><b>Chapter 3</b></p> <p>1756-IF8I Module Features ..... 41</p> <p style="padding-left: 20px;">Internal Loop Power Source..... 42</p> <p style="padding-left: 20px;">Multiple Input Ranges ..... 43</p> <p style="padding-left: 20px;">Notch Filter..... 43</p> <p style="padding-left: 20px;">Underrange/Overrange Detection ..... 46</p> <p style="padding-left: 20px;">Digital Filter ..... 47</p> <p style="padding-left: 20px;">Process Alarms ..... 48</p> <p style="padding-left: 20px;">Rate Alarm..... 50</p> <p style="padding-left: 20px;">Sensor Offset..... 50</p> <p style="padding-left: 20px;">Wire Off Detection..... 51</p> <p style="padding-left: 20px;">Synchronized Sampling ..... 52</p> <p>1756-IF8I Diagrams ..... 53</p> <p>Fault and Status Reporting..... 58</p>
<b>Temperature-sensing Analog Modules</b>	<p><b>Chapter 4</b></p> <p>Common Module Features..... 59</p> <p style="padding-left: 20px;">Module Input Ranges..... 60</p> <p style="padding-left: 20px;">Notch Filter..... 61</p> <p style="padding-left: 20px;">Underrange/Overrange Detection ..... 65</p> <p style="padding-left: 20px;">Digital Filter ..... 65</p> <p style="padding-left: 20px;">Process Alarms ..... 66</p> <p style="padding-left: 20px;">Rate Alarm..... 68</p> <p style="padding-left: 20px;">Sensor Offset..... 68</p> <p style="padding-left: 20px;">10 Ohm Copper Offset ..... 68</p> <p style="padding-left: 20px;">Wire Off Detection..... 69</p> <p style="padding-left: 20px;">Temperature Units ..... 71</p> <p style="padding-left: 20px;">Sensor Types ..... 71</p> <p style="padding-left: 20px;">1756-IRT8I Thermocouple Wire Length Compensation ..... 73</p> <p style="padding-left: 20px;">Synchronized Sampling ..... 74</p> <p style="padding-left: 20px;">Cold Junction Compensation ..... 75</p> <p>1756-IRT8I Diagrams ..... 79</p> <p>1756-IR12 Diagrams ..... 84</p> <p>1756-IT16 Diagrams ..... 86</p> <p>Fault and Status Reporting..... 88</p>

## 1756-OF8I Isolated Analog Output Module

### Chapter 5

1756-OF8I Module Features .....	89
Multiple Output Ranges .....	90
Channel Offset .....	90
Ramping/Rate Limiting .....	90
Hold for Initialization .....	91
Clamping/Limiting .....	91
Clamp/Limit Alarms .....	92
Data Echo .....	92
1756-OF8I Diagrams .....	93
Drive Different Loads with the 1756-OF8I Module .....	96
Fault and Status Reporting .....	97
Redundant Owners .....	98
Configure 1756-OF8I Redundant Owners .....	98
About Redundant Owners .....	99
Configure the Output Module .....	103
Response Times for Output Modules .....	105
Input Modules .....	106
Troubleshooting .....	107

## Install ControlLogix Analog I/O Modules

### Chapter 6

Install the I/O Module .....	111
Key the Removable Terminal Block .....	113
Connect Wiring .....	114
Connect the Grounded End of the Cable .....	115
Connect the Ungrounded End of the Cable .....	116
RTB Types .....	117
RTB Wiring Recommendations .....	118
Assemble the RTB and the Housing .....	119
Choose Extended-depth Housing .....	120
Cabinet Size Considerations with Extended-depth Housing ..	121
Install the Removable Terminal Block .....	122
Remove the Removable Terminal Block .....	123
Remove the Module from the Chassis .....	124

	<b>Chapter 7</b>	
<b>Configure ControlLogix Analog I/O Modules</b>	Create a New Module .....	126
	Module Definition .....	128
	Edit the Configuration .....	129
	Connection Tab.....	130
	Configuration Tab .....	131
	Calibration Tab .....	134
	Alarm Configuration Tab.....	137
	Limit Configuration Tab.....	139
Copy Channel Configuration .....	139	
View the Module Tags.....	141	
	<b>Chapter 8</b>	
<b>Calibrate the ControlLogix Analog I/O Modules</b>	Difference between Calibrating an Input Module and an Output Module .....	144
	Calibrate Via Profile or Ladder .....	145
	Calibrate the Input Modules .....	145
	Calibrate the 1756-IF8I Module Via the Profiles .....	145
	Calibrate the Temperature-sensing Modules.....	150
	Calibrate the Output Module .....	158
Calibrate the 1756-OF8I Module for a Current Output Type.....	159	
	<b>Chapter 9</b>	
<b>Troubleshoot Your Module</b>	Status Indicators for the 1756-IF8I Module .....	165
	Status Indicators for the 1756-IRT8I Module .....	166
	Status Indicators for the 1756-IR12 Module.....	166
	Status Indicators for the 1756-IT16 Module.....	167
	Status Indicators for the 1756-OF8I Module .....	167
	Use Logix Designer Application for Troubleshooting .....	168
	Fault Type Determination .....	169
	Troubleshoot Incorrect Readings on the Module .....	170
	1756-IRT8I and 1756-IT16 Modules	
	- Incorrect Temperature Readings.....	170
	1756-IRT8I and 1756-IR12 Modules	
	- Incorrect RTD Readings.....	173
	1756-IF8I Module	
- Incorrect Input Voltage/Current Readings .....	175	
1756-OF8I Module		
- Incorrect Output Voltage/Current Readings .....	178	

<b>Analog I/O Module Tag Definitions</b>	<p><b>Appendix A</b></p> <p>Access the Tags ..... 181</p> <p>1756-IF8I Module Tags ..... 183</p> <p>    Configuration Tags ..... 183</p> <p>    Input Tags ..... 185</p> <p>    Output Tags ..... 188</p> <p>1756-IRT8I Module Tags ..... 189</p> <p>    Configuration Tags ..... 189</p> <p>    Input Tags ..... 192</p> <p>    Output Tags ..... 194</p> <p>1756-IR12 Module Tags ..... 196</p> <p>    Configuration Tags ..... 196</p> <p>    Input Tags ..... 198</p> <p>    Output Tags ..... 199</p> <p>1756-IT16 Module Tags ..... 200</p> <p>    Configuration Tags ..... 200</p> <p>    Input Tags ..... 202</p> <p>    Output Tags ..... 203</p> <p>1756-OF8I Module Tags ..... 204</p> <p>    Configuration Tags ..... 204</p> <p>    Input Tags ..... 206</p> <p>    Output Tags ..... 209</p> <p>Redundant Owner Configuration Tags ..... 211</p> <p>    Redundant Owner Input Tag Layout ..... 211</p> <p>    Redundant Owner Output Tag Layout ..... 211</p> <p>Array Data Structures ..... 212</p> <p><b>Appendix B</b></p> <p>Power-sizing Chart ..... 213</p> <p><b>Appendix C</b></p> <p>..... 215</p> <p><b>Index ..... 217</b></p>
<b>Choose the Correct Power Supply</b>	
<b>1492 Analog Interface Modules</b>	

**Notes:**



This manual describes how to install, configure, and troubleshoot ControlLogix® analog I/O modules.

You must be able to program and operate a ControlLogix controller to use your analog I/O modules. If you need additional information, see [Additional Resources on page 10](#).

ControlLogix analog I/O modules convert analog signals to digital values for inputs and convert digital values to analog signals for outputs. Controllers use these signals for control purposes.

By using the Producer/Consumer network model, ControlLogix analog I/O modules produce information when needed while providing additional system functions.

### Summary of Changes

We added information about how to configure the 1756-OF8I Redundant Owner. See [page 98](#).

### Product Compatibility and Download Center

Download firmware, associated files (such as AOP, DTM, and EDS), and access product release notes from the Product Compatibility and Download Center at <http://www.rockwellautomation.com/rockwellautomation/support/pcdc.page>.

## Additional Resources

These documents contain additional information concerning related products from Rockwell Automation.

Resource	Documentation
1756 ControlLogix I/O Specifications, publication <a href="#">1756-TD002</a>	Provides specifications for ControlLogix analog and digital I/O modules as well as the accessories that can be used with each.
Migrating 6-Channel 1756 Analog Modules to 8-Channel 1756 Analog Modules, publication <a href="#">1756-RM011</a>	Provides information about how to migrate the 1756 Isolated Analog I/O 6-channel modules to the 8-channel modules.
ControlLogix Digital I/O Modules User Manual, publication <a href="#">1756-UM058</a>	Provides information about how to install, configure, and troubleshoot ControlLogix digital I/O modules.
ControlLogix High Resolution Analog I/O Modules Installation Instructions, publication <a href="#">1756-IN056</a>	Provides information about how to install and wire ControlLogix high resolution analog I/O modules.
ControlLogix Power Supply Installation Instructions, publication <a href="#">1756-IN619</a>	Provides information about how to install a wide range of ControlLogix power supplies.
ControlLogix Chassis Installation Instructions, publication <a href="#">1756-IN621</a>	Provides information about how to install a wide range of ControlLogix chassis.
Integrated Architecture and CIP Sync Configuration Application Technique, publication <a href="#">IA-AT003</a>	Describes how to configure CIP Sync with Integrated Architecture® products and applications.
ControlLogix System User Manual, publication <a href="#">1756-UM001</a>	Describes how to install, configure, program, and operate a ControlLogix system.
Industrial Automation Wiring and Grounding Guidelines, publication <a href="#">1770-4.1</a>	Provides general guidelines for installing a Rockwell Automation industrial system.
Rockwell Automation <a href="#">Product Certifications website</a>	Provides declarations of conformity, certificates, and other certification details.

You can view or download Rockwell Automation publications at <http://www.rockwellautomation.com/literature/>.

To order paper copies of technical documentation, contact your local Allen-Bradley distributor or Rockwell Automation sales representative.

## Analog I/O Module Operation in the ControlLogix System

Topic	Page
Before You Begin	11
Ownership	13
Configure a Module	13
Direct Connections	14
Input Module Operation	15
Output Module Operation	18
Listen-only Mode	20

ControlLogix® controllers use analog I/O modules to control devices in a ControlLogix control system. The modules are installed in a ControlLogix chassis and use a removable terminal block (RTB) or a Bulletin 1492 interface module<sup>(1)</sup> cable to connect to field-side wiring.

The modules use the Producer/Consumer network communication model. This communication is an intelligent data exchange between modules and other system devices in which each module produces data without first being polled.

### Before You Begin

Before you install and use your module, complete the following tasks:

- Install and ground a 1756 ControlLogix chassis and power supply<sup>(2)</sup>. You can use a standard power supply or a redundant power supply.

For more information on how to install the 1756 ControlLogix chassis and power supplies, see [Additional Resources on page 10](#).

- Verify that you have an RTB or IFM and its components.

---

**IMPORTANT** RTBs and IFMs are not included with your module purchase.

---

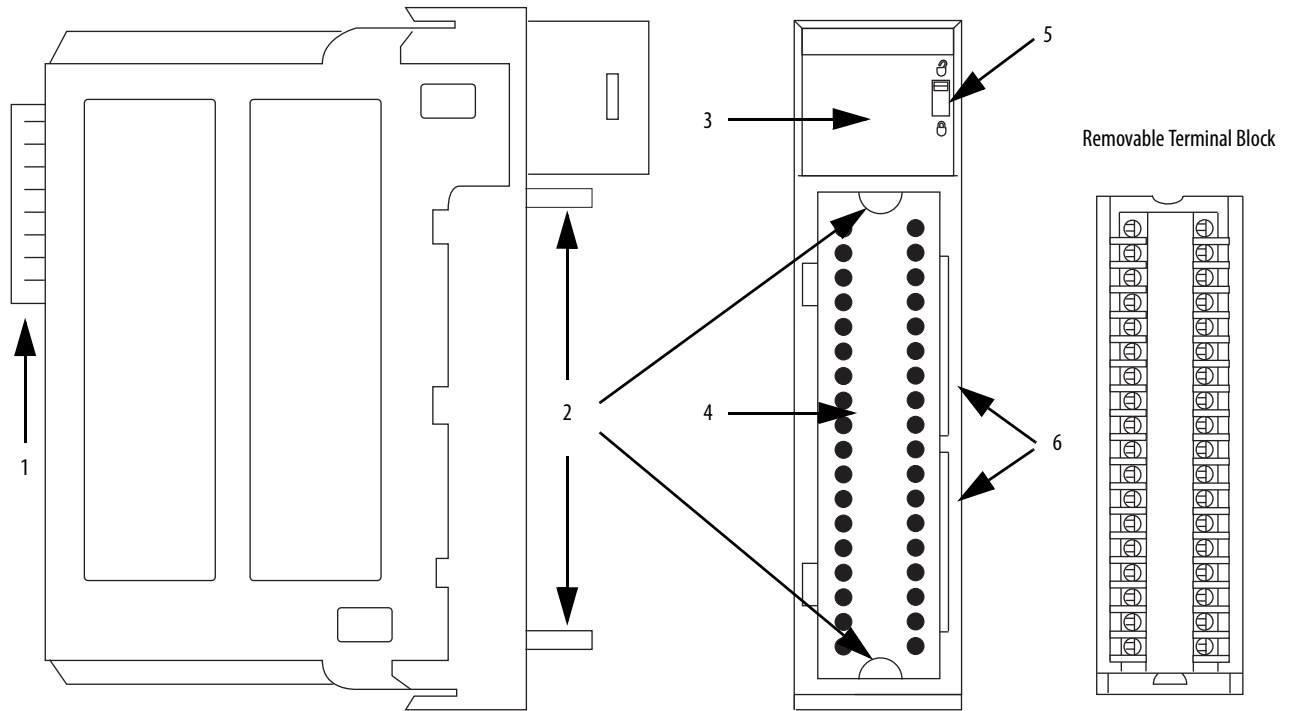
(1) The ControlLogix system has been agency certified using only the ControlLogix RTBs (catalog numbers 1756-TBCH, 1756-TBNH, 1756-TBSH and 1756-TBS6H). Any application that requires agency certification of the ControlLogix system using other wiring termination methods can require application specific approval by the certifying agency.

(2) In addition to standard ControlLogix power supplies, ControlLogix Redundant Power Supplies are also available for your application. For more information on these supplies, see the ControlLogix Selection Guide, publication [1756-SG001](#), or contact your local distributor or Rockwell Automation representative.

**Table 1 - Types of ControlLogix Isolated Analog I/O Modules**

Cat. No.	Description	RTB Used	Page
1756-IF8I	8-point general-purpose isolated analog current/voltage input module	36-pin (1756-TBCH or 1756-TBS6H)	41
1756-IRT8I	8-point isolated combined temperature and mV sensing input module		59
1756-OF8I	8-point general-purpose isolated analog current/voltage output module		89

**Figure 1 - Parts Illustration of the ControlLogix Isolated Analog I/O Module**



Item	Description
1	Backplane connector - Interface for the ControlLogix system that connects the module to the backplane.
2	Top and bottom guides - Guides provide assistance in seating the RTB or IFM cable onto the module.
3	Status indicators - Indicators display the status of communication, module health, and input/output (I/O) devices. Indicators help in troubleshooting anomalies.
4	Connector pins - Input/output, power, and grounding connections are made to the module through these pins with the use of an RTB or IFM.
5	Locking tab - The locking tab anchors the RTB or IFM cable on the module, maintaining wiring connections.
6	Slots for keying - Mechanically keys the RTB to prevent inadvertently making the wrong wire connections to your module.

## Ownership

Every I/O module in the ControlLogix system must be owned by a ControlLogix controller. This controller performs the following:

- Stores configuration data for every module that it owns.
- Resides in the local or remote chassis in regard to the position of the I/O module.
- Sends the I/O module configuration data to define the behavior of the module and begin operation in the control system.

Each ControlLogix I/O module must continuously maintain communication with its owner to operate normally. Typically, each module in the system has only one owner. Some Input modules can have multiple owners. Output modules, and Input modules that have an Output image like the 1756-IF8I and 1756-IRT8I modules, however, are limited to one owner.

### 1756-0F8I Redundant Owner

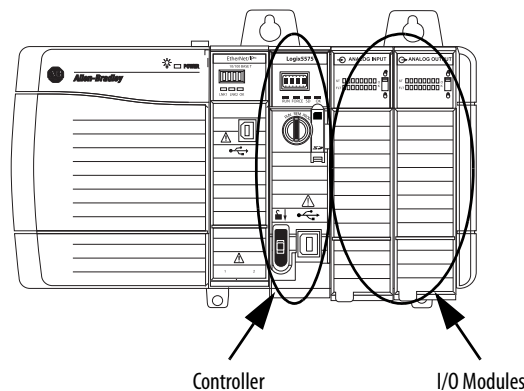
Redundant ownership lets a single controller use redundant adapters to communicate with a single output or lets two separate controllers coordinate to control the output.

See [Redundant Owners on page 98](#).

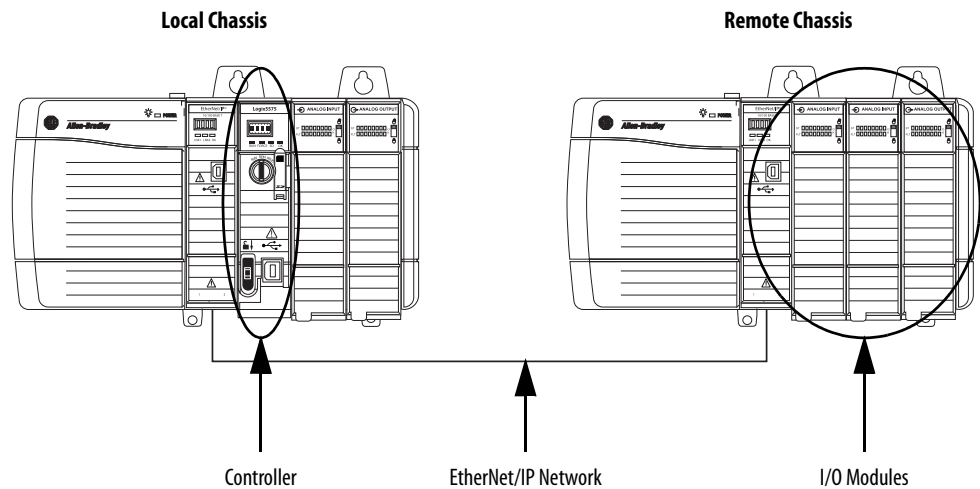
## Configure a Module

You use the I/O configuration portion of the Studio 5000 Logix Designer® application to configure each I/O module. An I/O module can reside in either of the following:

- **Local chassis** - The chassis in which the owner-controller resides.



- **Remote chassis** - A chassis that does not contain the module's owner-controller but is connected to the local chassis over the EtherNet/IP™ network or ControlNet™ network.



The Logix Designer application transfers configuration data to the controller during the program download. Then, data is transferred to the I/O modules in the local and remote chassis.

The I/O module can operate immediately after the project download from the owner-controller is complete.

## Direct Connections

A direct connection is a real-time data transfer link between the controller and the device that occupies the slot that the configuration references.

---

**IMPORTANT** ControlLogix analog I/O modules support only direct connections.

---

When you download module configuration to a controller, the controller attempts to establish a direct connection to each module referenced by the configuration.

If controller configuration refers to a chassis slot in the system, the controller periodically checks for the presence of a device there. If a device is detected, the controller sends the configuration, and one of the following occurs:

- If the configuration is appropriate to the module detected, a connection is made and operation begins.
- If the configuration is not appropriate to the module detected, the data is rejected and the Logix Designer application indicates that an error occurred.

The configuration can be inappropriate for any of a number of reasons. For example, the configuration of a module can include a mismatch in electronic keying that prevents normal operation.

The controller maintains and monitors its connection with a module. Any break in the connection, for example, the removal of the module from the chassis while under power, causes a fault.

The Logix Designer application indicates that the fault occurred in the fault status bits associated with the module. The Logix Designer application monitors the fault status bits to annunciate the failures of a module.

## Input Module Operation

In traditional I/O systems, controllers periodically poll input modules to obtain their input status.

In the ControlLogix system, the controller does not poll the analog input modules. Instead, the modules broadcast their input data—channel and status data—to their backplane periodically.

### Requested Packet Interval (RPI)

The RPI is a configurable parameter that defines a specific period when the module broadcasts input data to the backplane. Valid RPI values are 1...750 ms. The default value is 100 ms for inputs and 10 ms for outputs.

Set the RPI value at initial module configuration and adjust it as necessary only when the controller is in Program mode.

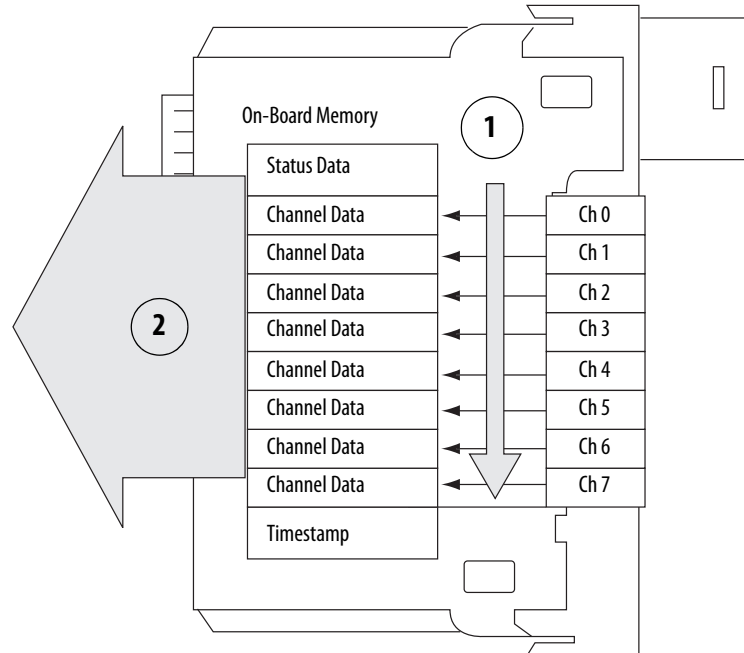
---

**IMPORTANT** Other ControlLogix analog input modules offer the **Real Time Sample (RTS)** parameter that determines when channel data is scanned and stored on the module's on-board memory until broadcast to the chassis backplane. The 1756-IF8I, 1756-IRT8I, 1756-IR12, and 1756-IT16 modules **do not offer the RTS parameter**. With these modules, the channel sampling rate is exclusively determined by the RPI value.

---

At the RPI, the following events occur.

1. The module scans its channels for input data.
2. The module broadcasts the data to its backplane.



The input module broadcasts data to the chassis backplane immediately after the scan:

- When the module resides in the local chassis, the controller receives the data immediately.
- When the module resides in a remote chassis, the time that elapses before the controller receives the data depends on the network configuration that connects the local and remote chassis.

For more information, see [Input Modules in a Remote Chassis](#).

## Input Modules in a Local Chassis

When an input module resides in a local chassis (see [Configure a Module on page 13](#)) and after the input module broadcasts data to the chassis backplane, the controller receives it immediately. The analog input module broadcasts data using Multicast as its connection method in a local chassis.



## Input Modules in a Remote Chassis

When an input module resides in a remote chassis (see [Configure a Module on page 13](#)), it is considered remote input module.

At the RPI, the following events occur.

1. The remote input module scans its channels for input data.
2. The remote input module broadcasts the data to its backplane.
3. The network communication module in the chassis with the I/O module sends the data over the network to the controller.

### *Broadcast Method*

The analog input module broadcasts data by using one of the following connection methods:

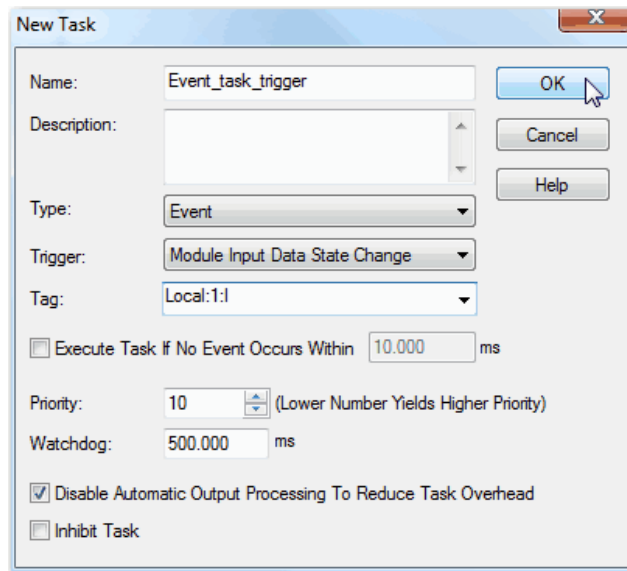
- Multicast - Data is sent to all network devices at once
- Unicast - Data is sent to a specific controller depending on the configuration of the module

For more information on guidelines for specifying RPI rates, see the Logix5000™ Controllers Design Considerations Reference Manual, publication [1756-RM094](#).

## Trigger Event Tasks

ControlLogix analog input modules can trigger an Event task. The Event task causes the controller to execute a section of logic immediately when a triggering event occurs. You can configure the Event task to be triggered if new input data is sent at the RPI.

The following graphic shows an Event task dialog box in Logix Designer application.



Event tasks are useful for synchronizing process variable (PV) samples and proportional integral derivative (PID) calculations.

For more information on Event tasks, see the Logix5000 Controllers Tasks, Programs, and Routines Programming Manual, publication [1756-PM005](#).

## Output Module Operation

The RPI defines when a controller sends data to the analog output module and when the output module echoes data. The controller sends data to an output module only at the RPI.

When an output module receives new data from the controller, the module multicasts or ‘echoes’ a data value that corresponds to the signal present at its terminals to the rest of the control system. This feature, called Data Echo, occurs whether the output module resides in the local or remote chassis.

Depending on the value of the RPI, regarding the length of the controller program scan, the output module can receive and ‘echo’ data multiple times during one program scan.

When the RPI is less than the program scan length, the module’s output channels can change values multiple times during one program scan. The controller does not depend on reaching the end of the program to send data.

## Output Modules in a Local Chassis

When an output module resides in a local chassis (see [Configure a Module on page 13](#)), it receives data almost immediately after the owner-controller sends it. The analog output module broadcasts data using Multicast as its connection method in a local chassis.

## Output Modules in a Remote Chassis

When an output module resides in a remote chassis (see [Configure a Module on page 13](#)), and is connected to the local chassis via an EtherNet/IP network, the following events occur for the controller to send data to the output module.

1. The controller broadcasts data to its local chassis at one of the following events:
  - RPI value
  - A programmed Immediate Output (IOT) instruction is executed. An IOT sends data immediately and resets the RPI timer.
2. The 1756 ControlLogix EtherNet/IP communication module in the local chassis broadcasts the data over the EtherNet/IP network.
3. After receiving the output data, the 1756 ControlLogix EtherNet/IP communication in the remote chassis broadcasts the data to its backplane, that is, the remote chassis.
4. The output module receives the data almost immediately after it is broadcast to the remote chassis backplane.

### *Broadcast Method*

The analog output module broadcasts data by using one of the following connection methods:

- Multicast - Data is sent to all network devices at once
- Unicast - Data is sent to a specific controller depending on the module's configuration

For more information on guidelines for specifying RPI rates, see the Logix5000 Controllers Design Considerations Reference Manual, publication [1756-RM094](#).

## Listen-only Mode

Any controller in the system can listen to the data from any I/O module, that is, input data or echoed output data, even if the controller does not own the module.

During the I/O configuration process, you can specify a Listen-Only connection. For more information on Connection options when configuring your system, see [page 130](#).

When you choose a Listen-Only connection, the controller and module establish communication without the configuration data being sent by the controller. In this instance, another controller owns the I/O module.

---

**IMPORTANT**

The Listen-Only controller receives data from the I/O module as long as an owning connection between a controller and I/O module is maintained.

If the connection between all owner-controllers and the module is broken, the module stops sending data and connections to all `Listening controllers' are also broken.

In addition, multicast Listen Only connections require at least one multicast owning connection to be active.

---

## Analog I/O Module Features

<b>Topic</b>	<b>Page</b>
Common Analog I/O Features	22
Relationship between Module Resolution and Scaling	31
Calibration	33
Calibrated Accuracy	34
Error Calculated over Hardware Range	34
RTD and Thermocouple Error Calculations	34
Thermocouple Resolution	38

ControlLogix® analog input modules convert an analog signal to a digital value. The following are example analog signal types to which input modules convert to digital values:

- Volts
- Millivolts
- Milliamps
- Ohms

ControlLogix analog output modules convert a digital value to an analog signal. The following are example analog signal types to which output modules convert digital values:

- Volts
- Milliamps

## Common Analog I/O Features

The ControlLogix analog I/O modules have the following features:

- [CIP Sync Timestamp of Data](#)
- [Rolling Timestamp of Data](#)
- [Floating Point Data Format](#)
- [Module Quality Reporting](#)
- [Calibration](#)
- [Fault and Status Reporting](#)
- [Configurable Software](#)
- [Latching of Alarms](#)
- [Module Inhibiting](#)
- [Electronic Keying](#)
- [Elegant Migration Emulation Mode](#)

### CIP Sync Timestamp of Data

The control system uses a 64-bit system clock. The modules support CIP Sync timestamping by using the 1588 protocol passed throughout the system. The 1588 protocol is defined in the IEEE 1588-2002 standard, publication Standard for a Precision Clock Synchronization Protocol for Networked Measurement and Control Systems.

Each input channel scan or new output application is stamped with a CIP Sync timestamp and one timestamp is returned to the controller for the module with the input data transfer.

You can use this feature for the following:

- To identify the sequence of events in fault conditions or during normal operation.

It is possible to use the system clock between multiple modules in the same chassis or throughout a system in which a common Time Master is used.

- To measure the change between samples—which correlates closely with the RPI if no samples are missed in the logic—and to detect when a new sample is available for processing via the logic.

You can also use the 1588 Protocol to synchronize sampling for modules across the entire system. By using the Synchronized Sampling feature, described in detail on [page 52](#) and [page 74](#), you can configure multiple modules to coordinate their input samples precisely with each other when using the same RPI.

Synchronized Sampling lets you configure a test stand, for example, and take many measurements simultaneously across many modules, if needed, while still precisely coordinating the sampling. With these modules, the synchronized sampling should coordinate within approximately  $\pm 20 \mu\text{s}$ .

## Rolling Timestamp of Data

The rolling timestamp is a continuously running 16-bit rolling timestamp that counts in milliseconds from 0...32,767 ms; where 1 ms = 1 count.

### *Rolling Timestamp with Input Modules*

The 1756-IF8I, 1756-IRT8I, 1756-IR12, and 1756-IT16 modules scan their inputs at the RPI, update the input data, and update the rolling timestamp value. Other ControlLogix analog input modules scan their inputs at the RTS, not the RPI.

In either case, though, program the controller to use the last two rolling timestamp values to calculate the interval between the receipt of data or the time at which new data is received.

The rolling value is commonly used with instructions such as the PID and PIDE instructions. Every time a rolling timestamp changes, a PID or PIDE instruction is executed. When you configure a PID instruction for use with an input module, set the loop update time equal to the module's RPI value.

### *Rolling Timestamp with Output Modules*

For the 1756-OF8I module, the rolling timestamp value is updated only when new values are applied to the Digital to Analog Converter (DAC).

## Floating Point Data Format

The modules return channel data to the owner-controller in the IEEE 32-bit floating point data format. In your Logix Designer application, the data type is REAL. You can configure the module to scan its channels and return data as quickly as every 1 ms.

The floating point data format lets you change the data representation of the selected channel. Although the full range of the module does not change, you can scale your module to represent I/O data in specific terms for your application.

To scale a channel, select two points that represent signal units, that is, a Low Signal and a High Signal. You also select two points that represent engineering units, that is, Low Engineering and High Engineering.

The Low Signal point equates to the Low Engineering point and the High Signal point matches the High Engineering point.

- 
- EXAMPLE** A 1756-IF8I module that is used in current mode maintains 0...21 mA range capability. Your application uses a 4...20 mA transmitter.
- If you want to receive values in **signal units**, configure the module as follows:
    - Low Signal = 4 mA
    - High Signal = 20 mA
    - Low Engineering = 4 EU
    - High Engineering = 20 EU
  - If you want to receive values in terms of **Percent of Full Scale**, configure the module as follows:
    - Low Signal = 4 mA
    - High Signal = 20 mA
    - Low Engineering = 0%
    - High Engineering = 100%
- 

By default, module channels that are used in Current mode are scaled such that 4...20 mA equate to 0...100% engineering units. Other module channels scale 1:1 regarding signal units and engineering units by default.

## Module Quality Reporting

The modules indicate the quality of channel data returned to the owner-controller. Data quality represents accuracy. There are levels of data quality reported via module input tags.

The following input tags indicate the level of data quality. In the tag names, *x* represents the module channel number:

- *I.Ch[x].Fault* tag - This tag indicates that channel data can be completely inaccurate and cannot be trusted for use in the application. If the tag is set to 1, you cannot trust the data reported. You must troubleshoot the module to correct the cause of the inaccuracy.

Common causes of inaccurate data include the following:

- An overrange or underrange condition exists.
  - A wire off detection condition has occurred.
  - A short circuit detection condition has occurred.
- *I.Ch[x].Uncertain* tag - This tag indicates that channel data can be inaccurate but it is not known to what degree of inaccuracy. We recommend that you do not use the data for control.

If the tag is set to 1, you know that the data can be inaccurate but you must troubleshoot the module to discover what degree of inaccuracy exists.



Common causes of uncertain data include the following:

- The channel is actively being calibrated.
- An invalid sensor offset value exists.
- The last data sample of the channel failed the CRC check between the module processor and the Analog to Digital Converter (ADC) which results in the most recent valid data sample was used.
- The channel is not calibrated.

We recommend that you monitor these tags in your program to make sure that the application is operating as expected with accurate channel input data.

## Calibration

These modules use precise analog components that maintain their specifications over time. The modules are calibrated at the factory and recalibration is not required.

If desired, you can recalibrate the modules on a channel-by-channel or module-wide basis. For more information, see [Calibrated Accuracy on page 34](#) if you choose to recalibrate the modules in the future.

## Fault and Status Reporting

The modules provide fault and status data along with channel data. Faults are indicated via the status indicators on the front of the module and the module tags. Status data is available via the module tags.

- For more information on fault and status reporting via module tags, see the following:
  - 1756-IF8I fault and status reporting - [page 58](#)
  - 1756-IRT8I fault and status reporting - [page 88](#)
  - 1756-IR12 fault and status reporting - [page 88](#)
  - 1756-IT16 fault and status reporting - [page 88](#)
  - 1756-OF8I fault and status reporting - [page 97](#)
- For more information on fault reporting via status indicators, see [Chapter 9, Troubleshoot Your Module on page 165](#)

## Configurable Software

Use one of the following software applications with your module:

- RSLogix 5000® software, versions 18...20
- Logix Designer application, version 21 or later

---

**IMPORTANT** You must install Add-on Profiles (AOP) to use the modules in any Logix Designer application or RSLogix 5000 software project.

This publication describes configuration with Logix Designer application. AOPs are available at:

<https://download.rockwellautomation.com/esd/download.aspx?downloadid=addonprofiles>

---

All module feature configuration begins in the I/O configuration portion of the Logix Designer application. In addition, to enable or disable module features, you can use the application to interrogate any module for the following module information:

- Serial number
- Revision information
- Catalog number
- Vendor identification
- Error/fault information
- Diagnostic counters

## Latching of Alarms

This feature latches a module alarm in the set position once the alarm is triggered. The alarm remains on, even if the condition that causes it to occur disappears, until the alarm is unlatched.

---

**IMPORTANT** You must manually unlatch the alarm. You can unlatch the alarm by using one of the following methods:

- While the project is online, click the Alarm Configuration tab on the Module. Then click Unlatch to unlatch a specific alarm or Unlatch All to unlatch all alarms.
- Change the module output tag for the alarm that you want to unlatch. For example, the *Ch[x].LLAlarmUnlatch* tag to unlatch a Low Low Alarm.

For more information on module tags, see Appendix A, [Analog I/O Module Tag Definitions on page 181](#).

- Use a CIP Generic message.

For more information how to use a CIP Generic message, see Rockwell Automation® Knowledgebase article #63046, How to Reset Latched Status of an Analog Module. You can access the article at: (Login required)

<https://rockwellautomation.custhelp.com/>

---

To see where to latch alarms, see [page 137](#).

## Module Inhibiting

This feature suspends the connection between an owner-controller and a module. This process can occur in either of the following ways:

- You write configuration for an I/O module but inhibit the module to prevent it from communicating with the owner-controller.

In this case, the owner does not establish a connection and configuration is not sent to the module until the connection is uninhibited.

- A controller owns a module and has downloaded configuration to it. Data is being exchanged over the connection between the devices.

In this case, when you inhibit the module and the owner-controller behaves as if the connection to the module does not exist.

---

### **IMPORTANT**

Whenever you inhibit an output module, it enters Program mode and all outputs change to the state configured for the Program mode. For example, if an output module is configured so that the states of the outputs go to zero (0.0) during Program mode, whenever that module is inhibited, the outputs go to zero (0.0).

---

The following examples are instances where you need to use module inhibiting:

- Multiple controllers own an analog input module. A configuration change is required. You must make the change in the program in all controllers. In this case, complete the following tasks.
  - a. Inhibit the module.
  - b. Change configuration in all controllers.
  - c. Uninhibit the module.
- You want to upgrade the module. We recommend that you complete the following tasks.
  - a. Inhibit the module.
  - b. Perform the upgrade.
  - c. Uninhibit the module.
- The program includes a module that you do not physically possess and you do not want the controller to continually look for a module that does not exist.

Inhibit the module until it physically resides in the proper slot. To see where to inhibit a module connection, see [page 130](#).

## Electronic Keying

Electronic Keying reduces the possibility that you use the wrong device in a control system. It compares the device defined in your project to the installed device. If keying fails, a fault occurs. These attributes are compared.

Attribute	Description
Vendor	The device manufacturer.
Device Type	The general type of the product, for example, digital I/O module.
Product Code	The specific type of the product. The Product Code maps to a catalog number.
Major Revision	A number that represents the functional capabilities of a device.
Minor Revision	A number that represents behavior changes in the device.

The following Electronic Keying options are available.

Keying Option	Description
Compatible Module	Lets the installed device accept the key of the device that is defined in the project when the installed device can emulate the defined device. With Compatible Module, you can typically replace a device with another device that has the following characteristics: <ul style="list-style-type: none"> <li>• Same catalog number</li> <li>• Same or higher Major Revision</li> <li>• Minor Revision as follows: <ul style="list-style-type: none"> <li>– If the Major Revision is the same, the Minor Revision must be the same or higher.</li> <li>– If the Major Revision is higher, the Minor Revision can be any number.</li> </ul> </li> </ul>
Disable Keying	Indicates that the keying attributes are not considered when attempting to communicate with a device. With Disable Keying, communication can occur with a device other than the type specified in the project. <b>ATTENTION:</b> Be extremely cautious when using Disable Keying; if used incorrectly, this option can lead to personal injury or death, property damage, or economic loss. We <b>strongly recommend</b> that you <b>do not use</b> Disable Keying. If you use Disable Keying, you must take full responsibility for understanding whether the device being used can fulfill the functional requirements of the application.
Exact Match	Indicates that all keying attributes must match to establish communication. If any attribute does not match precisely, communication with the device does not occur.

Carefully consider the implications of each keying option when selecting one.

### IMPORTANT

Changing Electronic Keying parameters online interrupts connections to the device and any devices that are connected through the device. Connections from other controllers can also be broken.  
If an I/O connection to a device is interrupted, the result can be a loss of data.

### More Information

For more detailed information on Electronic Keying, see Electronic Keying in Logix5000™ Control Systems Application Technique, publication [LOGIX-AT001](#).

## Elegant Migration Emulation Mode

The 1756 Isolated Analog I/O modules, which are 6-channel, have a migration path to the 1756 Isolated Analog 8-channel modules. [Table 2](#) shows the relationship between the 6-channel modules and the 8-channel modules.

**Table 2 - 1756-Isolated Analog I/O Module Migration Descriptions**

Catalog Number	1756 ControlLogix Isolated Analog I/O 6-channel Description	Migration Catalog Number	1756 ControlLogix Isolated Analog I/O 8-channel Description
1756-IF6I	Isolated Analog Input-Current/Voltage 6 Pts (20 Pin)	1756-IF8I	Analog Input Module, 8 Isolated Points, Current, Current Sourcing and Voltage (36 Pin)
1756-IF6CIS	Isolated Analog In-Current Sourcing 6 Pts (20 Pin)		
1756-IT6I	Isolated Thermocouple/Mv Input 6 Pts (20 Pin)	1756-IRT8I	RTD / Ohms / Thermocouple / mV Input Module, 8 Individually Configurable Isolated Points (36 Pin)
1756-IT6I2	Enhanced Isolated Thermocouple/Mv Input 6 Pts (20 Pin)		
1756-IR6I	Isolated RTD Input 6 Pts (20 Pin)		
1756-OF6VI	Isolated Analog Output - Voltage 6 Pts (20 Pin)	1756-OF8I	Analog Output Module, 8 Isolated Points, Current and Voltage (36 Pin)
1756-OF6CI	Isolated Analog Output - Current 6 Pts (20 Pin)		

The migration catalog numbers, (1756-IF8I, 1756-IRT8I, and 1756-OF8I), firmware revision 2.011 and later can communicate to the controller as if they are 6-channel modules. This Emulation mode lets a 6-channel module application migrate to use the 8-channel module.

This migration means that when a forward open containing configuration data is sent to the 8-channel module, it can accept it and respond as if it were a 6-channel module. After the connection is established, all data (input and/or output) is sent to/from the controller in the same format and tag structures as if it were a 6-channel module. With this method, you can directly replace a 6-channel module with an 8-channel module with no I/O tree modifications or program changes.

When an 8-channel module receives configuration data for a 6-channel module, the 8-channel module takes that information and reformats it to replicate the configuration data of an 8-channel module. The 8-channel module scans the firmware but reformats the input and/or output data to match the 6-channel module.

In general, the 8-channel module is internally behaving as an 8-channel module because most of the firmware has not changed. The difference in 8-channel module firmware is that in emulation mode, configuration, input, and output data is reformatted to match the appropriate 6-channel module.

All data to/from an 8-channel module is mapped from a 6-channel module format to an 8-channel module format. The controller still sends data in the 1756-IF6I module format but firmware internally moves data to the 1756-IF8I module format.

Figure 2 - 1756-IF6I Module Configuration Example

1756-IF6I module configuration data sent to the 1756-IF8I module.

Name	Value	Style	Data Type
Local:1:C	{...}		AB:1756_AI6_Float:C:0
Local:1:C.Ch0Config	{...}		AB:1756_AI6_Struct:C:0
Local:1:C.Ch0Config.AlarmDeadband	0.0	Float	REAL
Local:1:C.Ch0Config.AlarmDisable	0	Decimal	BOOL
Local:1:C.Ch0Config.CalBias	0.0	Float	REAL
Local:1:C.Ch0Config.DigitalFilter	0	Decimal	INT
Local:1:C.Ch0Config.HHAlarmLimit	10.0	Float	REAL
Local:1:C.Ch0Config.HHAlarmLimit	10.0	Float	REAL
Local:1:C.Ch0Config.HighEngineering	10.0	Float	REAL
Local:1:C.Ch0Config.HighSignal	10.0	Float	REAL
Local:1:C.Ch0Config.LLAlarmLimit	-10.0	Float	REAL
Local:1:C.Ch0Config.LLAlarmLimit	-10.0	Float	REAL
Local:1:C.Ch0Config.LowEngineering	-10.0	Float	REAL
Local:1:C.Ch0Config.LowSignal	-10.0	Float	REAL
Local:1:C.Ch0Config.ProcessAlarmLatch	0	Decimal	BOOL
Local:1:C.Ch0Config.RangeTypeNotch	16#0002	Hex	INT
Local:1:C.Ch0Config.RateAlarmLatch	0	Decimal	BOOL
Local:1:C.Ch0Config.RateAlarmLimit	0	Decimal	INT
Local:1:C.Ch0Config.TenDhmOffset	0	Decimal	INT
Local:1:C.Ch1Config	{...}		AB:1756_AI6_Struct:C:0
Local:1:C.Ch2Config	{...}		AB:1756_AI6_Struct:C:0
Local:1:C.Ch3Config	{...}		AB:1756_AI6_Struct:C:0
Local:1:C.Ch4Config	{...}		AB:1756_AI6_Struct:C:0
Local:1:C.Ch5Config	{...}		AB:1756_AI6_Struct:C:0
Local:1:C.CJDisable	0	Decimal	BOOL
Local:1:C.CJOffset	0.0	Float	REAL
Local:1:C.RealTimeSample	50	Decimal	INT
Local:1:C.RemoteTermination	0	Decimal	BOOL
Local:1:C.TempMode	0	Decimal	BOOL

Internally, the 1756-IF8I module sees the data like this.

Name	Value	Style	Data Type
Local:1:C	{...}		AB:1756_IF8I:C:0
Local:1:C.Ch	{...}		AB:1756_IF8I_ChStruct:C:0[8]
Local:1:C.Ch[0]	{...}		AB:1756_IF8I_ChStruct:C:0
Local:1:C.Ch[0].AlarmDeadband	0.0	Float	REAL
Local:1:C.Ch[0].AlarmDisable	0	Decimal	BOOL
Local:1:C.Ch[0].DigitalFilter	0	Decimal	INT
Local:1:C.Ch[0].Disable	0	Decimal	BOOL
Local:1:C.Ch[0].HAlarmLimit	10.0	Float	REAL
Local:1:C.Ch[0].HHAlarmLimit	10.0	Float	REAL
Local:1:C.Ch[0].HighEngineering	10.0	Float	REAL
Local:1:C.Ch[0].HighSignal	10.0	Float	REAL
Local:1:C.Ch[0].InputRange	0	Decimal	SINT
Local:1:C.Ch[0].LAlarmLimit	-10.0	Float	REAL
Local:1:C.Ch[0].LLAlarmLimit	-10.0	Float	REAL
Local:1:C.Ch[0].LowEngineering	-10.0	Float	REAL
Local:1:C.Ch[0].LowSignal	-10.0	Float	REAL
Local:1:C.Ch[0].NotchFilter	2	Decimal	SINT
Local:1:C.Ch[0].ProcessAlarmLatch	0	Decimal	BOOL
Local:1:C.Ch[0].RateAlarmLatch	0	Decimal	BOOL
Local:1:C.Ch[0].RateAlarmLimit	0.0	Float	REAL
Local:1:C.Ch[0].Sourcing	0	Decimal	BOOL
Local:1:C.Ch[0].SynchronizeSampling	0	Decimal	BOOL
Local:1:C.Ch[1]	{...}		AB:1756_IF8I_ChStruct:C:0
Local:1:C.Ch[2]	{...}		AB:1756_IF8I_ChStruct:C:0
Local:1:C.Ch[3]	{...}		AB:1756_IF8I_ChStruct:C:0
Local:1:C.Ch[4]	{...}		AB:1756_IF8I_ChStruct:C:0
Local:1:C.Ch[5]	{...}		AB:1756_IF8I_ChStruct:C:0
Local:1:C.Ch[6]	{...}		AB:1756_IF8I_ChStruct:C:0
Local:1:C.Ch[7]	{...}		AB:1756_IF8I_ChStruct:C:0

**1756-IF6I Module Configuration Example**

The Controller still sends data in the 1756-IF6I module format but firmware internally moves data to the 1756-IF8I format. An 8-channel module still behaves as an 8-channel module, but accepts a 6-channel module format.

For more information, see Migrating from 6 Channel 1756 Analog Modules to 8 Channel 1756 Analog Modules, publication [1756-RM011](#).

## Relationship between Module Resolution and Scaling

The following concepts must be explained with each other:

- [Module Resolution](#)
- [Scaling](#)

### Module Resolution

Resolution is the smallest degree of change that the module is capable of detecting. Module resolution represents a fixed number of counts across the module's **theoretical operating range**.

- 1756-IF8I and 1756-IRT8I modules support 24-bit resolution.  
The 24 bits represent 16,777,216 counts.
- 1756-OF8I module supports 16-bit resolution.  
The 16 bits represent 65,536 counts.
- 1756-IR12 module supports 24-bit resolution.
- 1756-IT16 module supports 24-bit resolution.

#### *Resolution on Input Modules*

The theoretical operating range is the full range across which the module can operate. For example, a 1756-IF8I module in Current mode has a theoretical operating range = -25.1...25.1 mA. The 24-bit resolution and 16,777,216 counts are available across 50.2 mA, which yields our calculated 2.99 nA/count resolution.

However, when the 1756-IF8I module operates in Current mode, it is configured for an input range = 0...20 mA. This range limits the input to a 0...21 mA actual range capability.

The number of counts on a module is fixed. Module actual range capabilities, however, narrow operating ranges from the theoretical and result in supporting fewer counts. Using the example above, the 0...21 mA actual range capability represents 5,815,117 counts, that is, slightly more than 22.5 bits.

Divide the actual range capability by the number of counts in that range to determine the value of each count. The input range that you choose during module configuration determines the value of each count. It does not determine the number of counts in that range. Therefore, module resolution across the usable input operating range is not always 24 bits.

### Resolution on Output Module

The module resolution for the 1756-OF8I module is always 16 bits, regardless of operating mode and operating range.

[Table 3](#) lists the resolution for each module’s input/output range and corresponding range capability.

**Table 3 - Module Resolution in Various Configuration Selections**

Module	Mode	Available Input/Output Range <sup>(1)</sup>	Actual Input/Output Range Capability	Number of Bits Across the Theoretical Operating Range	Number of Bits Across the Actual Range Capability	Resolution (signal per count)
1756-IF8I	Voltage	-10...10V 0...10V 0...5V	-10.5...10.5V 0...10.5V 0...5.25V	24 bits	23.75 22.75 21.75	1.49 $\mu$ V/count
	Current	0...20 mA 0...20 mA (sourcing)	0...21 mA 0...21 mA (sourcing)		22.74	2.99 nA/count
1756-IRT8I 1756-IT16	Thermocouple	-100...100 mV	-101...101 mV	24 bits	23.98	0.01 $\mu$ V/count
1756-IRT8I 1756-IR12	RTD	1...500 $\Omega$ 2...1000 $\Omega$ 4...2000 $\Omega$ 8...4000 $\Omega$	0...510 $\Omega$ 0...1020 $\Omega$ 0...2040 $\Omega$ 0...4080 $\Omega$		23.98	0.06 m $\Omega$ /count 0.12 m $\Omega$ /count 0.25 m $\Omega$ /count 0.50 m $\Omega$ /count
1756-OF8I	Voltage	-10...10V 0...10V 0...5V	-10.5...10.5V 0...10.5V 0...5.25V	16 bits	16.00	0.32 mV/count 0.16 mV/count 0.08 mV/count
	Current	0...20 mA	0...21 mA		16.00	0.32 $\mu$ A

(1) These ranges represent the range choices available in the Logix Designer application.

#### IMPORTANT

Because these modules must allow for possible calibration inaccuracies, resolution values represent the available Analog-to-Digital or Digital-to-Analog counts over the specified range.

Additionally, RPI and Notch Filter settings affect module resolution on the 1756-IF8I and 1756-IRT8I modules. For more information, see [page 43](#) and [page 61](#), respectively.

### Scaling

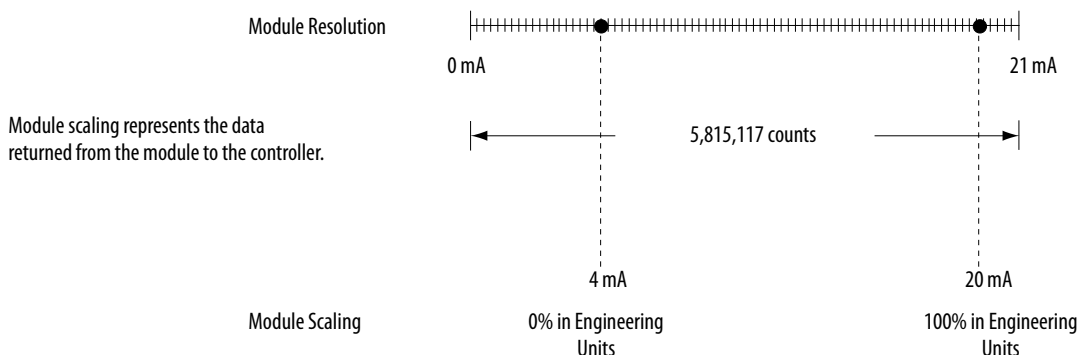
When scaling, you choose two points along the module’s operating range and apply low and high values to those points.

For example, if you are using the 1756-IF8I module in Current mode, the module supports a 0...21 mA actual range capability. But your application uses a 4...20 mA transmitter. Scaling lets you configure the module to return data to the controller so that a low signal value of 4 mA returns a low engineering value of 0% and a high signal value of 20 mA returns a high engineering value of 100%.



The returned engineering unit's value is indicated in the *I.Ch[x].Data* tag as shown in [Table 4](#).

**Figure 3 - Module Resolution Compared to Module Scaling**



**IMPORTANT** In choosing two points for the low and high value of your application, you do not limit the range of the module. The module's range and its resolution remain constant regardless of how you scale it for your application.

The module can operate with values beyond the 4...20 mA range. If an input signal beyond the low and high signals is present at the module, for example, 0 mA, that data is represented in terms of the engineering units set during scaling.

[Table 4](#) shows example values that can appear based on the example mentioned above.

**Table 4 - Current Values Represented in Engineering Units**

Current	Engineering Units Value	Value in I.Ch[x].Data Tag
0.0 mA	-25.00%	-25.00
4.0 mA	0.0%	0.00
12.0 mA	50.0%	50.0
20.0 mA	100.0%	100.0
21.0 mA	106.25%	106.25

## Calibration

The ControlLogix analog modules are calibrated via the following methods:

- Factory calibration when the modules are built.
- User-executed calibration as described in Chapter 8, [Calibrate the ControlLogix Analog I/O Modules on page 143](#).

User-executed calibration is optional.

- **1756-IRT8I module only** - Channels that are configured for Thermocouple inputs perform a lead resistance self-calibration when the module power is cycled.

## Calibrated Accuracy

The calibrated accuracy specification represents the module's accuracy when its ambient temperature is the same as the temperature at which the module was calibrated.

Specification	Description
Calibrated accuracy at 25 °C (77 °F)	This specification matches the temperature at which the module was calibrated in the factory during manufacturing.
Module error over full temperature range	This specification represents the error that occurs if the module's ambient temperature changes a total of 60 °C (140 °F), that is, from 0...60 °C (32...140 °F) or 60...0 °C (140...32 °F).

For individual module specifications, see the ControlLogix I/O Module Specifications Technical Data, publication [1756-TD002](#).

## Error Calculated over Hardware Range

The calibration accuracy of a ControlLogix analog I/O module at 25 °C (77 °F) is calculated over the full hardware range of the module. It is not dependent on the application's use of the range. The error is the same if you are measuring it across a 10% or 100% portion of a given range.

However, a module's accuracy at 25 °C (77 °F) is dependent on the hardware range in which the module operates.

### EXAMPLE

When the 1756-IRT8I channel uses the Thermocouple (mV) input type, the input range is -100...100 mV, the module error is 0.2 mV when using 0.1% of range accuracy.

These error values are the same whether you use 10% or 100% of the chosen range.

## RTD and Thermocouple Error Calculations

When you use the 1756-IRT8I, 1756-IR12 or 1756-IT16 module in temperature mode, error calculations are achieved by a two-step process.

1. Calculate the module's error in ohms or volts.
2. Convert the ohm/volt error to temperature for the specific sensor and at the correct application temperature.

## RTD Error

Module error on the 1756-IRT8I or 1756-IR12 module that is used with an RTD input is defined in ohms. The error is calculated across the entire input range selected, not the available range of a sensor used with the module. For example, if the 1...500  $\Omega$  input range is used, the module error is calculated across 510  $\Omega$  (actual range = 0...510  $\Omega$ ).

The error in ohms translates to temperature, but that translation varies because the relationship is non-linear. The most effective way to check the module error is to calculate the error in ohms and use that value in a linearization table to check the temperature error.

If the module is calibrated at operating temperature and the operating temperature remains relatively stable, calibration accuracy is better than 0.05% of the full range. This 0.05% value is a worst case value. In other words, with the 1...500  $\Omega$  input range that is selected, the worst case module error is 0.255  $\Omega$ .

Finally, you must check an RTD linearization table to determine how the temperature error of 0.255  $\Omega$  translates.

For example, if the module has a 0.05% (or 0.255  $\Omega$ ) error and is at a temperature of 0 °C (32 °F), the temperature error is  $\pm 0.65$  °C ( $\pm 1.17$  °F) when the Platinum 385 sensor type is used. This same error at a temperature of 200 °C (392 °F) translates to a temperature error of  $\pm 0.69$  °C ( $\pm 1.26$  °F).

## Thermocouple Error

Thermocouple error on the 1756-IRT8I or 1756-IT16 at 25 °C (77 °F) indicates the module's accuracy in measuring temperature. This accuracy varies depending on these factors:

- Input range = -100...100 mV.
- Thermocouple sensor type, any of the following:
  - Type B
  - Type C
  - Type D
  - Type E
  - Type J (1756-IT16 default value)
  - Type K (1756-IRT8I default value)
  - Type N
  - Type R
  - Type S
  - Type T
  - Type TXK/XK (L)

- Application temperature, that is, the temperature of the physical location where the thermocouple is being used.

**EXAMPLE**

When a 1756-IRT8I or 1756-IT16 module is used with a thermocouple input type in the following conditions, module error at 25 °C (77 °F) is ±3.74 °C (38.73 °F):

- Connected to a type S thermocouple
- Application temperature of 1200 °C (2192 °F)

In other words, the difference between the temperature the module reports and the actual application temperature can be ±3.74 °C (38.73 °F).

The module can report an application temperature of 1200 °C (2192 °F) in this case when the actual temperature can be in the range from 1196.26...1203.74 °C (2185.268...2198.732 °F).

These calculations used a typical error of 0.02% of full scale range.

**Module Error at 25 °C (77 °F)**

[Table 5](#) lists the 1756-IRT8I module error at 25 °C (77 °F) when using a thermocouple input type.

**Table 5 - 1756-IRT8I Module Error At 25 °C (77 °F) with Thermocouple Input Type<sup>(1)</sup>**

Application Temperature	Module Error (+/-) at 25 °C (77 °F) When Connected to Thermocouple Types										
	Type B	Type C	Type D	Type TXX/ XK(L)	Type R	Type S	Type E	Type J	Type K	Type N	Type T
-200 °C (-328 °F)	—	—	—	1.65 °C	—	—	1.79 °C	2.06 °C	2.95 °C	4.53 °C	2.86 °C
0 °C (32 °F)	—	3.46 °C	4.59 °C	0.93 °C	8.51 °C	8.33 °C	0.77 °C	0.89 °C	1.14 °C	1.72 °C	1.16 °C
200 °C (392 °F)	—	2.65 °C	2.83 °C	0.71 °C	5.09 °C	5.32 °C	0.61 °C	0.81 °C	1.13 °C	1.36 °C	0.85 °C
400 °C (752 °F)	11.08 °C	2.37 °C	2.36 °C	0.62 °C	4.34 °C	4.70 °C	0.56 °C	0.82 °C	1.07 °C	1.21 °C	0.73 °C
600 °C (1112 °F)	7.56 °C	2.37 °C	2.22 °C	0.56 °C	3.96 °C	4.41 °C	0.56 °C	0.77 °C	1.06 °C	1.16 °C	—
800 °C (1472 °F)	5.89 °C	2.37 °C	2.20 °C	0.51 °C	3.65 °C	4.14 °C	0.57 °C	0.70 °C	1.10 °C	1.15 °C	—
1000 °C (1832 °F)	4.93 °C	2.37 °C	2.25 °C	—	3.40 °C	3.90 °C	0.60 °C	0.76 °C	1.15 °C	1.17 °C	—
1200 °C (2192 °F)	4.35 °C	2.65 °C	2.36 °C	—	3.23 °C	3.74 °C	—	0.79 °C	1.23 °C	1.21 °C	—
1400 °C (2552 °F)	3.99 °C	2.81 °C	2.47 °C	—	3.18 °C	3.71 °C	—	—	1.33 °C	—	—
1600 °C (2912 °F)	3.85 °C	3.00 °C	2.63 °C	—	3.24 °C	3.80 °C	—	—	—	—	—
1800 °C (3272 °F)	3.92 °C	3.46 °C	2.85 °C	—	3.67 °C	4.36 °C	—	—	—	—	—
2000 °C (3632 °F)	—	3.75 °C	3.19 °C	—	—	—	—	—	—	—	—
2200 °C (3992 °F)	—	4.09 °C	3.95 °C	—	—	—	—	—	—	—	—

(1) This table represents +/-0.02% typical error while the maximum stated error is +/- 0.05%.

[Table 6](#) lists the 1756-IT16 module error at 25 °C (77 °F) when using a thermocouple input type.

**Table 6 - 1756-IT16 Module Error At 25 °C (77 °F) with Thermocouple Input Type<sup>(1)</sup>**

Application Temperature	Module Error (+/-) at 25 °C (77 °F) When Connected to Thermocouple Types										
	Type B	Type C	Type D	Type TXK/ XK(L)	Type R	Type S	Type E	Type J	Type K	Type N	Type T
-200 °C (-328 °F)	—	—	—	3.30 °C	—	—	3.58 °C	4.12 °C	5.90 °C	9.06 °C	5.72 °C
0 °C (32 °F)	—	6.92 °C	9.18 °C	1.86 °C	17.02 °C	16.66 °C	1.54 °C	1.78 °C	2.28 °C	3.44 °C	2.32 °C
200 °C (392 °F)	—	5.30 °C	5.66 °C	1.42 °C	10.18 °C	10.64 °C	1.22 °C	1.62 °C	2.26 °C	2.72 °C	1.70 °C
400 °C (752 °F)	22.16 °C	4.74 °C	4.72 °C	1.24 °C	8.68 °C	9.40 °C	1.12 °C	1.64 °C	2.14 °C	2.42 °C	1.46 °C
600 °C (1112 °F)	15.12 °C	4.74 °C	4.44 °C	1.12 °C	7.92 °C	8.82 °C	1.12 °C	1.54 °C	2.12 °C	2.32 °C	—
800 °C (1472 °F)	11.78 °C	4.74 °C	4.40 °C	1.02 °C	7.30 °C	8.28 °C	1.14 °C	1.40 °C	2.20 °C	2.30 °C	—
1000 °C (1832 °F)	9.86 °C	4.74 °C	4.50 °C	—	6.80 °C	7.80 °C	1.20 °C	1.52 °C	2.30 °C	2.34 °C	—
1200 °C (2192 °F)	8.70 °C	5.30 °C	4.72 °C	—	6.46 °C	7.48 °C	—	1.58 °C	2.46 °C	2.42 °C	—
1400 °C (2552 °F)	7.98 °C	5.62 °C	4.94 °C	—	6.36 °C	7.42 °C	—	—	2.66 °C	—	—
1600 °C (2912 °F)	7.70 °C	6.00 °C	5.26 °C	—	6.48 °C	7.60 °C	—	—	—	—	—
1800 °C (3272 °F)	7.84 °C	6.92 °C	5.70 °C	—	7.34 °C	8.72 °C	—	—	—	—	—
2000 °C (3632 °F)	—	7.50 °C	6.38 °C	—	—	—	—	—	—	—	—
2200 °C (3992 °F)	—	8.18 °C	7.90 °C	—	—	—	—	—	—	—	—

(1) This table represents +/-0.04% typical error while the maximum stated error is +/- 0.10%.

**IMPORTANT** When calculating total measurement error, module error at 25 °C (77 °F) is only one factor in deriving the total measurement error budget.

Other factors that impact thermocouple measurement error include the following:

- Thermocouple sensor accuracy/error
- Conditions of thermocouple wire, such as wire length
- Cold junction compensation values

## Thermocouple Resolution

Thermocouple resolution indicates the degrees that an application temperature must change before the 1756-IRT8I module that is connected to a thermocouple module reports a change. Resolution depends on the following factors:

- Thermocouple sensor type, any of the following:
  - Type B
  - Type C
  - Type D
  - Type E
  - Type J
  - Type J (1756-IT16 default value)
  - Type K (1756-IRT8I default value)
  - Type R
  - Type S
  - Type T
  - Type TXX/XK (L)
  
- Application temperature, that is, the temperature of the physical location where the thermocouple is being used.

---

**EXAMPLE**

For example, when a 1756-IRT8I module is used with a thermocouple input type in the following conditions, module resolution is 0.01 °:

- Input channel is connected to a type K thermocouple
- Application temperature is 400 °C (752 °F)

In other words, the application temperature must change by 0.01 ° or greater for the 1756-IRT8I module that is used with a thermocouple input to record a change. If the temperature stays in a range from 399.991...400.009 °C (751.984...752.016 °F), the module continues to report an application temperature of 400 °C (752 °F).

---

[Table 7](#) lists the 1756-IRT8I module resolution when using a thermocouple input type.

**Table 7 - 1756-IRT8I Module Resolution in Degrees C with Thermocouple Input Type**

Application Temperature	Module Resolution (in degrees C) When Connected to This Thermocouple Type										
	Type B	Type C	Type D	Type TXK/XK(L)	Type R	Type S	Type E	Type J	Type K	Type N	Type T
-200 °C (-328 °F)				+/- 0.02 °C			+/- 0.02 °C	+/- 0.02 °C	+/- 0.03 °C	+/- 0.04 °C	+/- 0.03 °C
0 °C (32 °F)		+/- 0.03 °C	+/- 0.05 °C	+/- 0.01 °C	+/- 0.08 °C	+/- 0.08 °C	+/- 0.01 °C	+/- 0.01 °C	+/- 0.01 °C	+/- 0.02 °C	+/- 0.01 °C
200 °C (392 °F)		+/- 0.03 °C	+/- 0.03 °C	+/- 0.01 °C	+/- 0.05 °C	+/- 0.05 °C	+/- 0.01 °C	+/- 0.01 °C	+/- 0.01 °C	+/- 0.01 °C	+/- 0.01 °C
400 °C (752 °F)	+/- 0.11 °C	+/- 0.02 °C	+/- 0.02 °C	+/- 0.01 °C	+/- 0.04 °C	+/- 0.05 °C	+/- 0.01 °C	+/- 0.01 °C	+/- 0.01 °C	+/- 0.01 °C	+/- 0.01 °C
600 °C (1112 °F)	+/- 0.07 °C	+/- 0.02 °C	+/- 0.02 °C	+/- 0.01 °C	+/- 0.04 °C	+/- 0.04 °C	+/- 0.01 °C	+/- 0.01 °C	+/- 0.01 °C	+/- 0.01 °C	
800 °C (1472 °F)	+/- 0.06 °C	+/- 0.02 °C	+/- 0.02 °C	+/- 0.01 °C	+/- 0.04 °C	+/- 0.04 °C	+/- 0.01 °C	+/- 0.01 °C	+/- 0.01 °C	+/- 0.01 °C	
1000 °C (1832 °F)	+/- 0.05 °C	+/- 0.02 °C	+/- 0.02 °C		+/- 0.03 °C	+/- 0.04 °C	+/- 0.01 °C	+/- 0.01 °C	+/- 0.01 °C	+/- 0.01 °C	
1200 °C (2192 °F)	+/- 0.04 °C	+/- 0.03 °C	+/- 0.02 °C		+/- 0.03 °C	+/- 0.04 °C		+/- 0.01 °C	+/- 0.01 °C	+/- 0.01 °C	
1400 °C (2552 °F)	+/- 0.04 °C	+/- 0.03 °C	+/- 0.02 °C		+/- 0.03 °C	+/- 0.04 °C			+/- 0.01 °C		
1600 °C (2912 °F)	+/- 0.04 °C	+/- 0.03 °C	+/- 0.03 °C		+/- 0.03 °C	+/- 0.04 °C					
1800 °C (3272 °F)	+/- 0.04 °C	+/- 0.03 °C	+/- 0.03 °C		+/- 0.04 °C	+/- 0.04 °C					
2000 °C (3632 °F)		+/- 0.04 °C	+/- 0.03 °C								
2200 °C (3992 °F)		+/- 0.04 °C	+/- 0.04 °C								

**Notes:**



---

## 1756-IF8I Isolated Analog Input Module

Topic	Page
1756-IF8I Module Features	41
1756-IF8I Diagrams	53
Fault and Status Reporting	58

The 1756-IF8I module has eight isolated channels. Each channel supports connection to the following input types:

- Current
- Voltage

The module provides 24-bit resolution and uses differential inputs. Differential inputs have a greater resistance to the effects of electromagnetic noise and provide improved flexibility regarding cable length when wiring your module.

### 1756-IF8I Module Features

The 1756-IF8I module has the following features:

- Internal Loop Power Source
- Multiple Input Ranges
- Notch Filter
- Underrange/Overrange Detection
- Digital Filter
- Process Alarms
- Rate Alarm
- Sensor Offset
- Wire Off Detection
- Synchronized Sampling

---

**IMPORTANT** Most of the features available on the 1756-IF8I module are software configurable. For more information on how to configure the module, see Chapter 7, [Configure ControlLogix Analog I/O Modules on page 125](#).

---

## Internal Loop Power Source

The 1756-IF8I module offers a software user-configurable selection for an internal loop power source on each channel. You must use the Current input type and enable Source Loop Current to use an internal power source on the channel.

The source is current limited to  $\sim 45$  mA and lets the module power a two-wire transmitter directly without the need for an external power supply.

A sourcing overcurrent condition typically occurs due to a short between terminals on the module. With this module, the short is between terminals IN<sub>*x*</sub>/I/SRC and RTN<sub>*x*</sub> (where *x* is the channel number).

If a sourcing overcurrent condition exists, the 1756-IF8I module sets the input to 24 mA, that is, the equivalent engineering unit value. This value indicates a special error condition beyond the normal overrange value, that is, 21 mA:

- For one second, the overcurrent condition self-corrects if the condition trigger is removed.
- After one second, the condition latches, the channel disables Source Loop Current and continues to send 24 mA with an Overrange indication.

The following are examples of events that unlatch the condition:

- Power is cycled to the module.
- The module is reset.
- The controller connection to the module is inhibited and then uninhibited.
- New configuration is sent from the controller.

The transmitter varies the current to the analog input in proportion to the process variable being measured. The inclusion of an internal onboard loop power source saves you the expense of extra power supplies and greatly simplifies the interface wiring to field devices. Each channel on the module provides independent, isolated, current-limited power to its current transmitter.

In addition to supplying loop power to two-wire transmitters, the module can also accommodate current transmitters that are powered by an external supply. The module accommodates two-wire and four-wire transmitters when configured for Current input type and Source Loop Current is disabled.

### *Power Calculations with the 1756-IF8I Module*

The 24V backplane current requirements of the module increase when it operates with a Current input type and Source Loop Current mode enabled.

The 1756-IF8I module uses the power provided across the ControlLogix® chassis backplane as the source for loop power. The 1756-IF8I module consumes 10.6 W of backplane power. Because of the demands that are placed on that supply, take special care when calculating the power requirements for modules in the same chassis as a 1756-IF8I module.

For example, when used with the 1756-L75 controller and operating in the Sourcing Loop Current mode, you can place only six 1756-IF8I modules in the chassis before exceeding the wattage capacity of the power supply.

### *Other Devices in the Wiring Loop*

The voltage source on each channel can drive loop impedance of up to approximately 1300 Ω. This lets you include other devices, such as chart recorders and meters, in the current loop.

For more information on wiring the 1756-IF8I module, see [page 84](#).

## **Multiple Input Ranges**

The 1756-IF8I module offers multiple input ranges that are dictated by channel configuration choices. The input type selection determines the available ranges.

<b>Input Type</b>	<b>Input Range</b>
Current (mA)	0...20 mA
Voltage (V)	Any of the following: <ul style="list-style-type: none"> <li>• -10...10V</li> <li>• 0...5V</li> <li>• 0...10V</li> </ul>

To see where to select the input range, see [page 131](#).

## **Notch Filter**

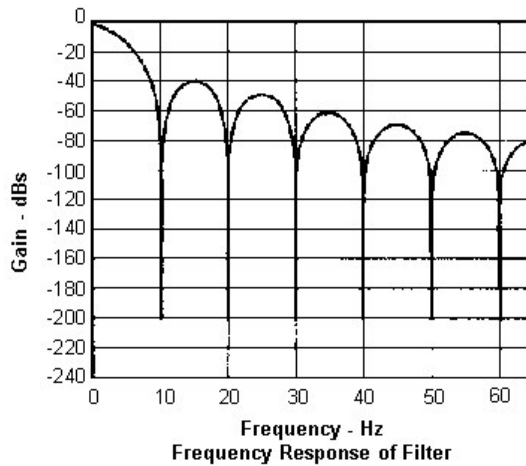
The Notch Filter is a built-in feature of the Analog-to-Digital convertor (ADC) that removes line noise in your application for **each channel**. The removal of line noise is also known as noise immunity.

The Notch Filter attenuates the input signal at the specified frequency. That is, the filter reduces the amplitude of the signal with minimal signal distortion.

Choose a Notch Filter based on what noise frequencies are present in the operating environment for the module and any sampling requirements needed for control. The default Notch Filter setting is 60 Hz.

For example, a Notch Filter is typically set to 60 Hz to filter out 60 Hz AC line noise and its overtones. A 60 Hz Notch Filter setting attenuates frequencies of 60 Hz, 120 Hz, 180 Hz, and so forth.

The following graphic shows 10 Hz Notch Filter selection and how the noise is dissipated over the entire spectrum but especially at the Notch Filter setting and its overtones.



#### *Relationship between Noise Rejection Level and RPI Setting*

The 1756-IF8I module offers two levels of line noise rejection. Each level has a filter associated with it. The module automatically determines which filter is used based on the Notch Filter setting and RPI rate.

A trade-off exists between sampling speed and level of noise rejection:

- The faster sampling speed, ranging from 1 / Notch Filter to 3 / Notch Filter, the less noise rejection. In this case, the module automatically uses a SINC<sup>1</sup> filter.

The SINC<sup>1</sup> filter offers 34 dB noise rejection at the Notch Filter frequency and its overtones.

- The slower sampling rate, > 3 / Notch Filter, the better noise rejection. In this case, the module automatically uses a SINC<sup>3</sup> filter.

The SINC<sup>3</sup> filter offers 100 dB noise rejection at the Notch Filter frequency and its overtones.

### 1756-IF8I Notch Filter Setting

The following table lists the available Notch Filter settings, the minimum RPI rate available with that Notch Filter setting, and the corresponding noise response.

**Table 8 - 1756-IF8I Notch Filter Settings and the Minimum RPI Rate**

Notch Filter Setting	5 Hz	10 Hz	15 Hz	20 Hz	50 Hz	60 Hz (Default)	100 Hz	500 Hz	1000 Hz	5000 Hz
Minimum Sample Time (RPI) - SINC <sup>1</sup> Filter <sup>(1)</sup>	207.0 ms	103.5 ms	69.1 ms	51.8 ms	20.7 ms	17.3 ms	10.4 ms	2.1 ms	1.1 ms	1.0 ms
Minimum Sample Time (RPI) - SINC <sup>3</sup> Filter <sup>(1)</sup>	621.0 ms	310.5 ms	207.1 ms	153.4 ms	62.1 ms	51.9 ms	31.2 ms	6.1 ms	3.1 ms	1.0 ms
0...100% Step Response Time <sup>(2)(3)</sup>	600 ms + 1RPI	300 ms + 1RPI	200 ms + 1RPI	150 ms + 1RPI	60 ms + 1RPI	50 ms + 1RPI	30 ms + 1RPI	6 ms + 1 RPI	3 ms + 1RPI <sup>(4)</sup>	1 ms + 1RPI <sup>(4)</sup>
-3 dB Frequency <sup>(2)</sup>	1.3 Hz	2.7 Hz	4.3 Hz	5.1 Hz	13 Hz	15 Hz	26 Hz	128 Hz	258 Hz	1296 Hz
Typical Effective Resolution <sup>(2)</sup>	21 bits	20 bits	20 bits	20 bits	20 bits	20 bits	19 bits	18 bits	18 bits	17 bits

- (1) The minimum RPI value for the module depends on the channel with the lowest Notch Filter setting. For example, if three of the channels on a module use a Notch Filter setting of 20 Hz and one channel uses a Notch Filter setting of 60 Hz, you cannot set the module RPI lower than 50.1 ms.
- (2) Using the SINC<sup>3</sup> filter.
- (3) Worst case settling time to 100% of step change includes 0...100% step response time plus one RPI sample time.
- (4) Value represents module performance in Current mode. For the value when the module is used in Voltage mode, include additional 3 ms settling time due to RC time constant of 7500 Ω voltage input resistor.

For example, if your application requires a Notch Filter setting of 50 Hz, the module's minimum RPI rate is 20.7 ms. In this case, sampling speed is more important than noise rejection. The module automatically uses a SINC<sup>1</sup> filter. If your application requires a Notch Filter setting of 50 Hz and the greater level of noise rejection provided by a SINC<sup>3</sup> filter, the minimum RPI rate is 62.1 ms. The module automatically uses a SINC<sup>3</sup> filter.

The RPI must be  $> 1/\text{Notch Filter}$  plus some small scan time for the ADC to sample properly. The SINC<sup>3</sup> filter takes three times as long and thus requires  $\text{RPI} > 3/\text{Notch}$  plus some small scan time. The module rejects combinations which violate that relationship. [Table 9](#) lists the available Notch Filter settings and the RPI values for the two types of filters.

**Table 9 - 1756-IF8I Notch Filter Settings and the RPI Values**

Notch Filter	Fastest RPI for a SINC <sup>1</sup> Filter	Fastest RPI for a SINC <sup>3</sup> Filter
5 Hz	207.0 ms	621.0 ms
10 Hz	103.5 ms	310.5 ms
15 Hz	69.1 ms	207.1 ms
20 Hz	51.8 ms	153.4 ms
50 Hz	20.7 ms	62.1 ms
60 Hz (default)	17.3 ms	51.9 ms
100 Hz	10.4 ms	31.2 ms
500 Hz	2.1 ms	6.1 ms
1000 Hz	1.1 ms	3.1 ms
5000 Hz	1.0 ms	1.0 ms

For more information on Notch Filter settings, see [page 131](#).

## Underrange/Ovrange Detection

This feature detects when the isolated input module is operating beyond limits set by the input range. For example, if you are using the 1756-IF8I module in the 0...10V input range and the module voltage increases to 11V, the overrange feature detects this condition.

The following table lists the input ranges of the 1756-IF8I module and the lowest/highest signal available in each range before the module detects an underrange/ovrange condition.

Input Type	Range	Underrange Threshold	Ovrange Threshold
Current (mA)	0...20 mA	$\leq 3.6 \text{ mA}^{(1) (2)}$	$\geq 21.00 \text{ mA}^{(3)}$
Voltage (V)	$\pm 10.00\text{V}$	$\leq -10.50$	$\geq 10.50$
	0...10V	$\leq 0.00\text{V}$	$\geq 10.50$
	0...5V	$\leq 0.00\text{V}$	$\geq 5.25\text{V}$

(1) Underrange is set at 3.6 mA, but the `!Ch[x].Data` tag reports values as low as 0.0 mA.

(2) When used with a Current input type, the module has an inherent deadband. Once latched, an Underrange condition continues until the signal is greater than 3.8 mA.

(3) When used with a Current input type, the module has an inherent deadband. Once latched, an Ovrange condition continues until the signal is less than 20.75 mA.

### IMPORTANT

Be aware that the Disable All Alarms feature does not disable the underrange/ovrange detection feature. The Disable All Alarms feature disables all alarms on the module.

The underrange/ovrange detection feature is not an alarm. It is an indicator that channel data has gone beyond the absolute maximum or minimum, respectively, for the channel's chosen range but does not trigger an alarm.

To disable the underrange/ovrange detection feature, you must disable the channel.

To see where to set the Underrange/Ovrange detection values, see [page 137](#).

## Digital Filter

The digital filter smooths input data noise transients on **each input channel**. This value specifies the time constant for a digital, first-order lag filter on the input. It is specified in units of milliseconds. A value of 0 (zero) disables the filter.

The digital filter equation is a classic, first order lag equation.

$$Y_n = Y_{n-1} + \frac{[\Delta t]}{\Delta t + TA} X_n - Y_{n-1}$$

$Y_n$  = Present output, filtered peak voltage (PV)

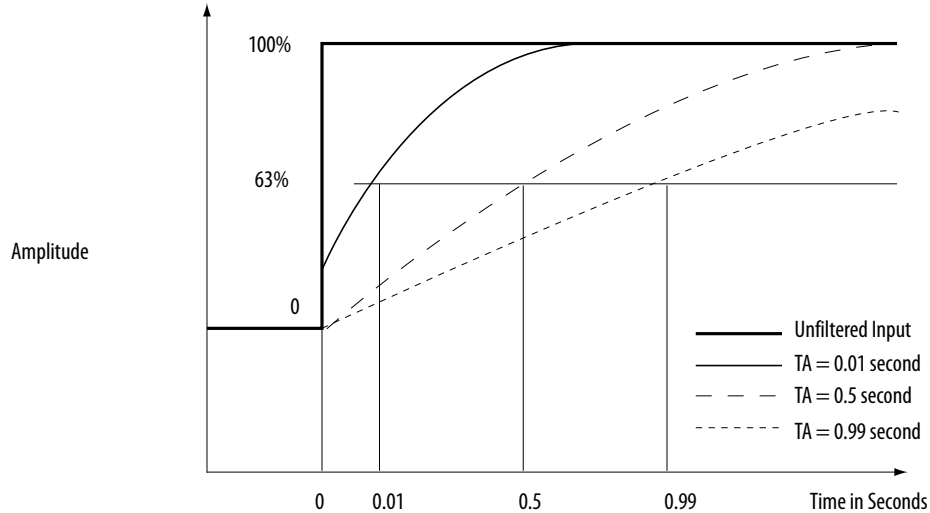
$Y_{n-1}$  = Previous output, filtered PV

$\Delta t$  = Module channel update time (seconds)

TA = Digital filter time constant (seconds)

$X_n$  = Present input, unfiltered PV

As shown in the following graphic, by using a step input change to illustrate the filter response, you see that 63.2% of the total response is reached when the digital filter time constant elapses. Each additional time constant achieves 63.2% of the remaining response.



To see where to set the Digital Filter, see [page 131](#).

## Process Alarms

Process alarms alert you when the module has exceeded configured high or low limits for **each channel**. The limits are set at four, user-configurable, alarm trigger points:

- High high
- High
- Low
- Low low

You can enable or disable Process Alarms individually via the Output tags for each channel. When a module is added to your Logix Designer application project and tags are created, the Alarms are disabled by default.

Each individual Process Alarm enable tag, that is, *O.Ch[x].LLAlarmEn*, *O.Ch[x].LAlarmEn*, *O.Ch[x].HAlarmEn* and *O.Ch[x].HHAlarmEn*, is disabled when the module is created. You must enable the tags in the Output Data to allow the individual alarm to trigger.

If a Process Alarm's enable bit is not set, the corresponding Input Process Alarm never triggers. To see where to set the Process Alarms, see [page 137](#).

You can latch process alarms. The alarm remains on, even if the condition that causes it to occur disappears, until the alarm is unlatched.

- 
- IMPORTANT** You must manually unlatch the alarm. You can unlatch the alarm, by using one of the following methods:
- While the project is online, click the Alarm Configuration tab on the Module. Then click Unlatch to unlatch a specific alarm or Unlatch All to unlatch all alarms.
  - Change the module output tag for the alarm that you want to unlatch. For example, the *Ch[x].LLAlarmUnlatch* tag to unlatch a Low Low Alarm. For more information on module tags, see Appendix A, [Analog I/O Module Tag Definitions on page 181](#).
  - Use a CIP Generic message. For more information how to use a CIP Generic message, see Rockwell Automation Knowledgebase article #63046, How to Reset Latched Status of an Analog Module. You can access the article at: <https://rockwellautomation.custhelp.com/>
-

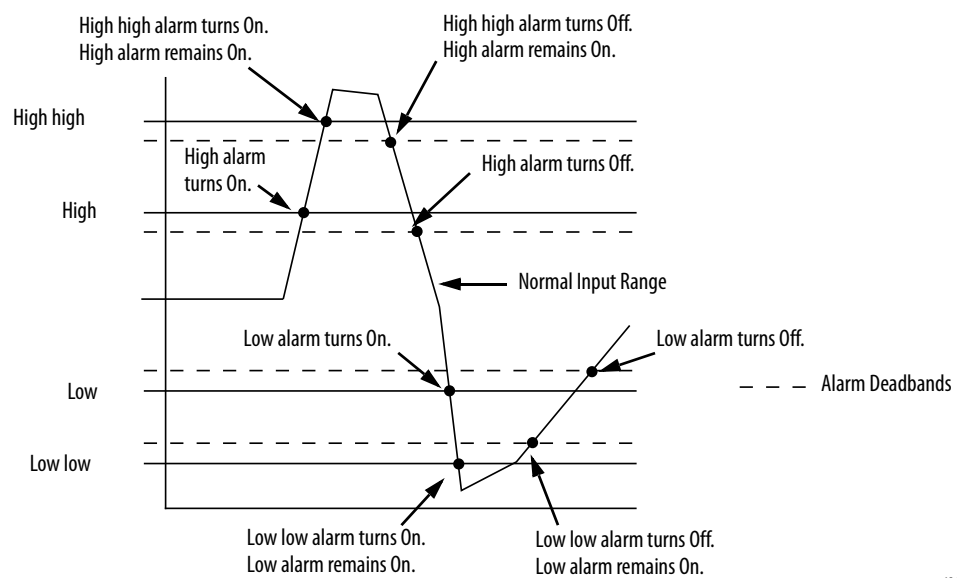


## Alarm Deadband

You can configure an alarm deadband to work with these alarms. The deadband lets the process alarm status bit remain set, despite the alarm condition disappearing, as long as the input data remains within the deadband of the process alarm. If the Alarm Deadband is mixed with Alarm Latching, an Unlatch command while the Alarm is within the Deadband causes the Alarm to be cleared.

[Figure 4 on page 49](#) shows the input data that sets each of the four alarms at some point during module operation. In this example, latching is disabled; therefore, each alarm turns Off when the condition that caused it to set ceases to exist.

**Figure 4 - Alarm Deadband Alarm Settings**



43153

To see where to set the Alarm Deadband, see [page 137](#).

## Rate Alarm

The rate alarm triggers if the rate of change between input samples for **each channel** exceeds the specified trigger point for that channel. The actual rate of change for the last sample is returned in the *Ch[x].RateOfChange* input tag of each channel.

---

### EXAMPLE

If scaling mA to mA, if you configure a channel's rate alarm to 1.0 mA/s, the rate alarm triggers only if the difference between measured input samples changes at a rate > 1.0 mA/s.

Consider the following conditions:

- The module's RPI is 100 ms, that is, new data is sampled every 100 ms.
- At **input sample 1**, the channel measures 5.0 mA.

- At **input sample 2**, (100 ms later) the channel measures 5.08 mA.

At this sample instance, the **rate alarm is not triggered** because the rate of change is less than 1.0 mA/s.

The rate of change is 0.8 mA/s [(5.08 mA - 5.0 mA) / (100 ms)].

- At **input sample 3** (100 ms later) the channel measures 4.9 mA.

At this sample instance, the **rate alarm is triggered** because the rate of change is greater than 1.0 mA/s.

The rate of change is 1.8 mA/s [(4.9 mA - 5.08 mA) / (100 ms)].

At this sample instance, the absolute value of this result is > 1.0 mA/s, so the rate alarm sets. Absolute value is used because rate alarm checks for the magnitude of the rate of change being beyond the trigger point, whether a positive or negative excursion.

---

To see where to set the Rate Alarm, see [page 137](#).

## Sensor Offset

The sensor offset compensates for any known error on the sensor or channel to which the sensor is connected. The value is set in signal units and is added to the data value.

For example, if the sensor has an error such that the channel consistently reports current signal values by 0.2 mA lower than the actual value, you set this parameter to 1.25% in channel configuration if using the default scaling of 4...20 mA = 0...100%.

You set this value via the module output tags. That is, tag *O.Ch[x].SensorOffset*. Where x represents the module channel.

In the example above, the *O.Ch[x].SensorOffset* tag = 1.25.

## Wire Off Detection

The 1756-IF8I module alerts you when a wire is disconnected from a channel or the RTB is removed from the module. The following events occur when a wire off condition exists:

- Module Operating in **Voltage Mode**
  - Input data for that channel changes to a specific scaled value corresponding to the Overrange value.
  - The Overrange bit is set in the *I:Ch[x].Overrange* tag.
- Module Operating in **Current Mode**
  - Input data for that channel changes to a specific scaled value corresponding to the Underrange value.
  - The Underrange bit is set in the *I:Ch[x].Underrange* tag.
- A fault bit is set in the owner-controller that can indicate the presence of a wire off condition.

---

### IMPORTANT

Be aware that the Disable All Alarms feature, does not disable the wire off detection feature. The Disable All Alarms feature disables all alarms on the module.

The wire off detection feature is not an alarm. It is an indicator that a wire has been disconnected from the channel but does not trigger an alarm.

To disable the wire off detection feature, you must disable the channel.

---

Because the module can be used in voltage or current applications, differences exist as to how a wire off condition is detected in voltage or current applications.

**Table 10 - 1756-IF8I Module - Wire Off Conditions in Different Applications**

Application Configuration	Wire Off Condition Cause	Resulting Module Behavior
Voltage Applications	Either of the following: <ul style="list-style-type: none"> <li>• A wire is disconnected from the module.</li> </ul>	<ul style="list-style-type: none"> <li>• Input data for that channel changes to the scaled value associated with the <b>overrange</b> signal value of the selected operational range.</li> <li>• The <i>I:Ch[x].Overrange</i> (x=channel number) tag is set to 1.</li> </ul>
Current Applications	<ul style="list-style-type: none"> <li>• The RTB is disconnected from the module.</li> </ul>	<ul style="list-style-type: none"> <li>• Input data for that channel changes to the scaled value associated with the <b>underrange</b> signal value of the selected operational range.</li> <li>• The <i>I:Ch[x].Underrange</i> (x=channel number) tag is set to 1.</li> </ul>

## Synchronized Sampling

This feature lets you synchronize input sampling across inputs on multiple modules, forcing those inputs to sample simultaneously within approximately 20  $\mu$ S of each other. The modules do not need to be in the same chassis, if the system clocks are synchronized via CIP Sync.

---

**IMPORTANT** Synchronized Sampling is not limited to input samples across inputs of the same module type.

You can use Synchronized Sampling across inputs on 1756-IF8I modules and 1756-IRT8I modules in the same system.

---

For example, if you have 12 input devices that are connected to one 1756-IF8I module and two 1756-IRT8I modules in the same chassis, or different chassis that are synchronized to the same CIP Sync Time Master, use Synchronized Sampling to take a snapshot of the input data available at each input at a moment in time.

For the example, you can't have 12 devices connected a single 1756-IF8I module - either lower the count to  $\leq 8$ , or make it 2 1756-IF8I modules.

The following conditions must exist to use this feature:

- A 1588 CIP Sync Time Master is configured for the chassis.
- All modules in the set use the same RPI value or values that are multiples of each other.
- Synchronized Sampling with Other Synchronized Modules is enabled for all input channels in the set.

For these input modules, configuring one channel for Synchronized Sampling synchronizes all eight channels.

While setting the RPI to the same value on all 1756-IF8I modules makes sure that each module samples at the same rate, it does not guarantee that they sample at the same time. When enabled, Synchronized Sampling provides each module a synchronized starting point for its respective input scans. Because the RPI values are the same, the inputs on the modules are sampled at the same rate and the same time. To see where to enable Synchronized Sampling, see [page 131](#).

# 1756-IF8I Diagrams

Figure 5 - 1756-IF8I Module Block Diagram

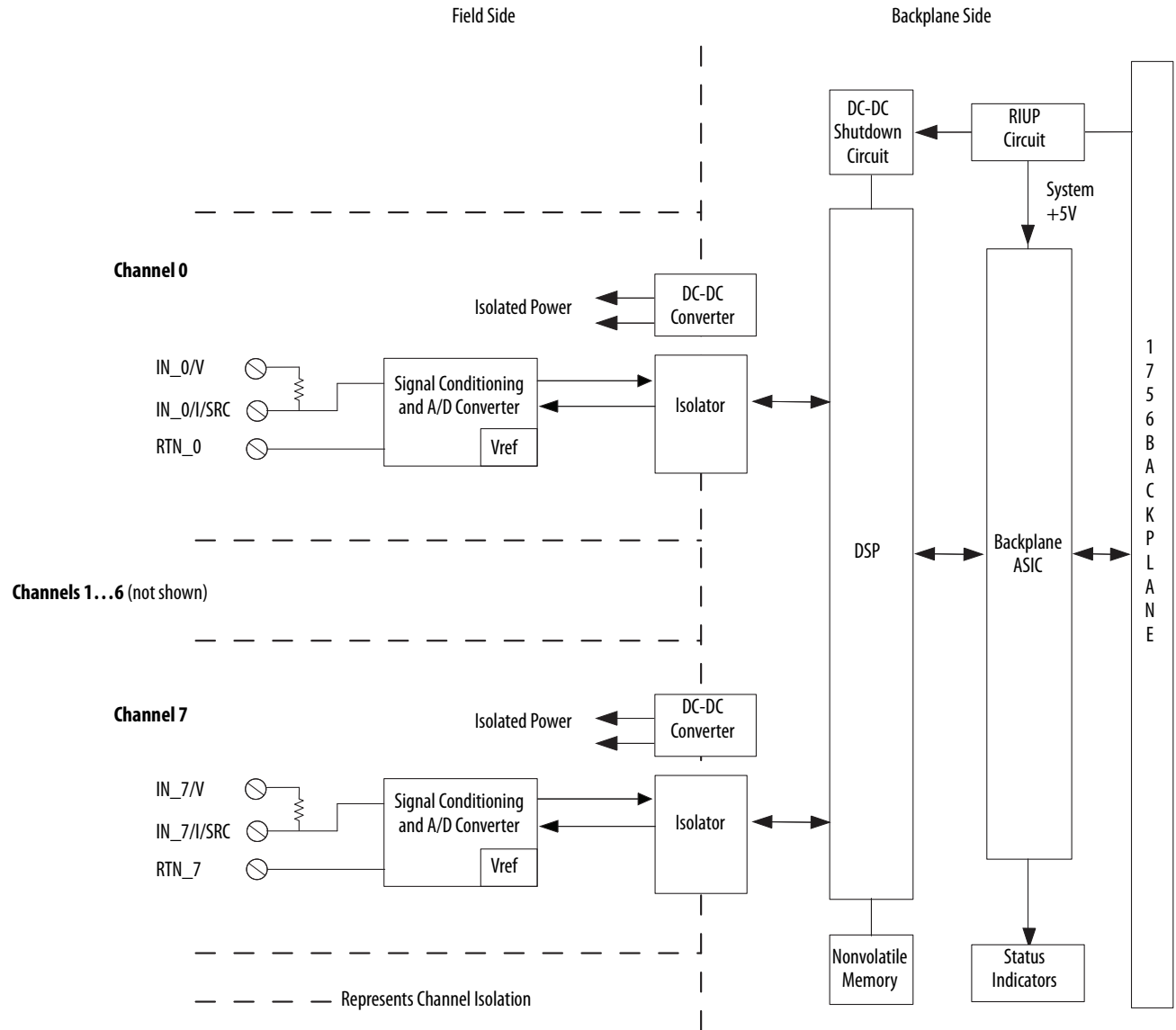


Figure 6 - 1756-IF8I Module Field-side Circuit with Voltage Input

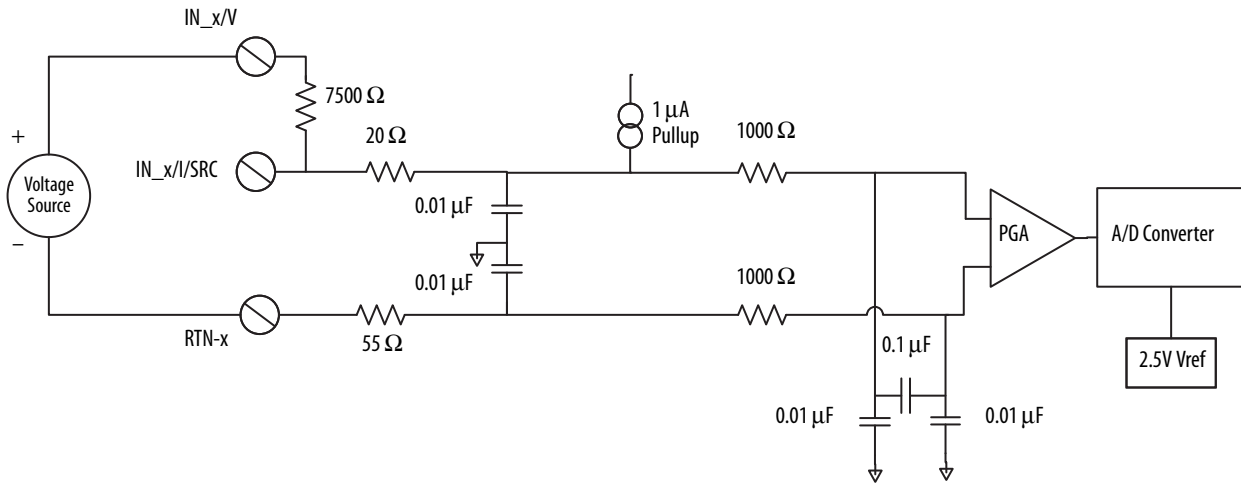


Figure 7 - 1756-IF8I Input Module Field-side Circuit with an Externally-powered Current Input Loop

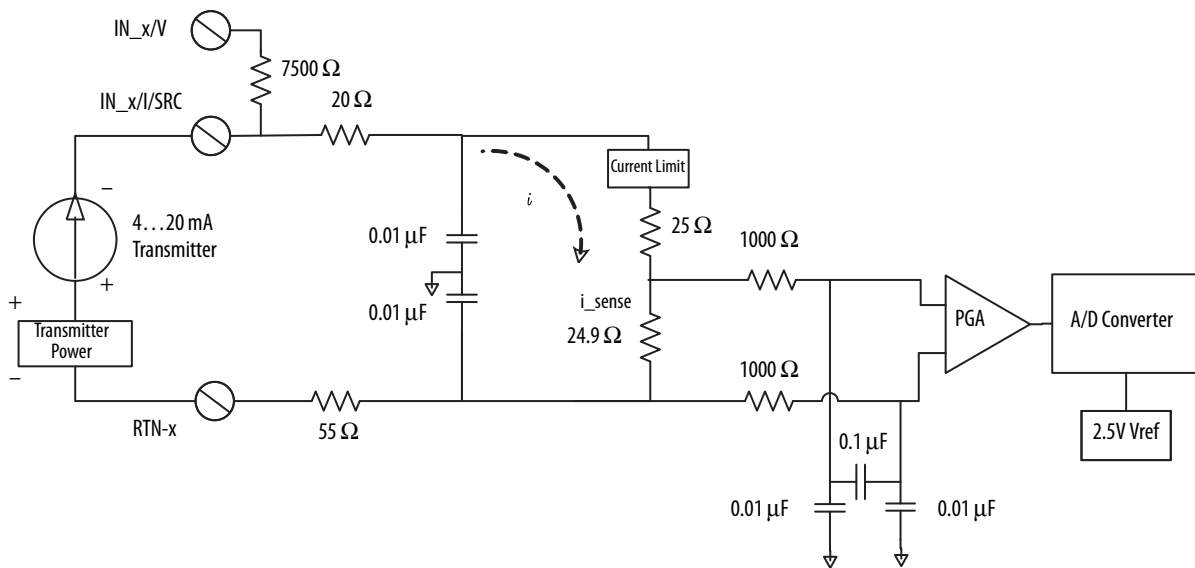


Figure 8 - 1756-IF8I Module Field-side Circuit with the Module Sourcing the Current Input Loop

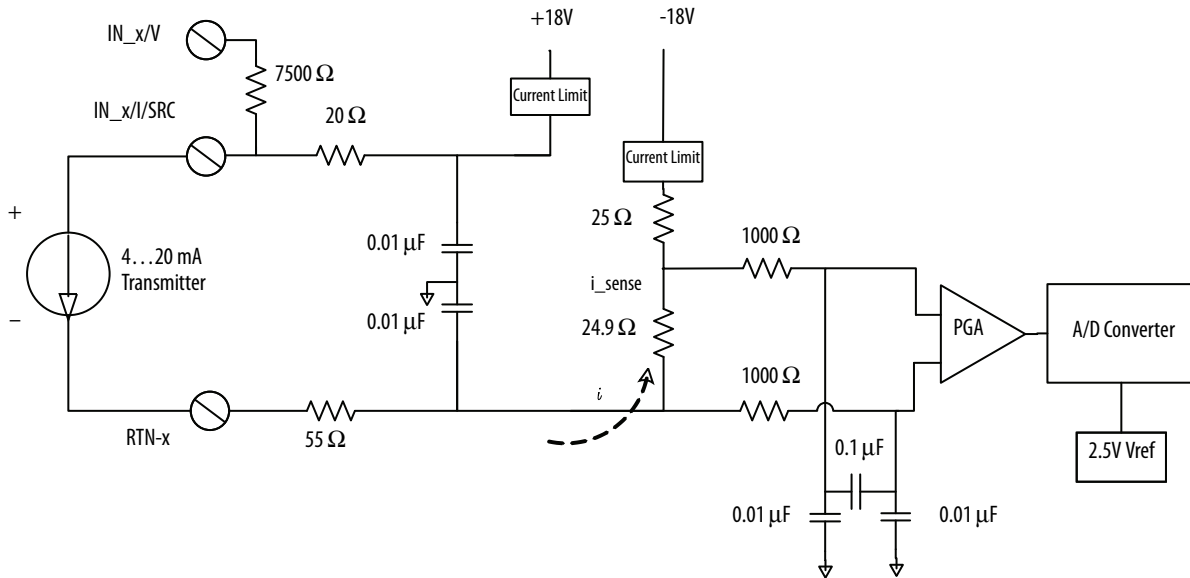
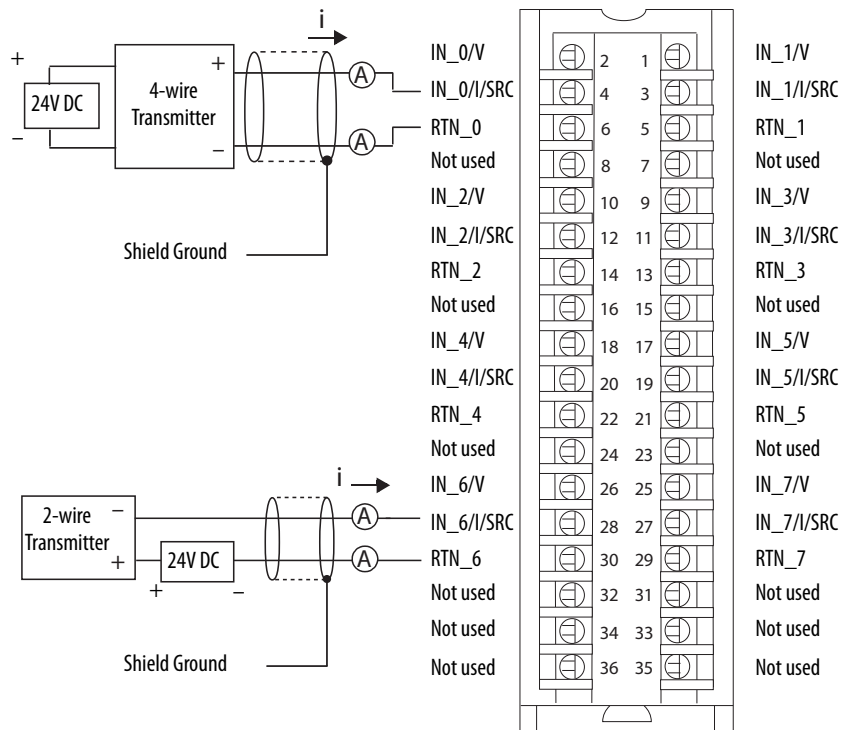


Figure 9 - 1756-IF8I Module Wiring Diagram -Current Mode with External Loop Power

**IMPORTANT** In this wiring diagram, an external, user-provided power supply provides 24V DC loop power.

**IMPORTANT:** Remember the following:

- If separate power sources are used, do not exceed the specific isolation voltage. For more information on module specifications, see the 1756 ControlLogix I/O Specifications Technical Data, publication [1756-TD002](#).
- Place additional loop devices, for example, strip chart recorders, at either 'A' location in the current loop.



**Figure 10 - 1756-IF8I Module Wiring Diagram -Current Mode with Internal Loop Power**

**IMPORTANT** In this wiring diagram, the module provides 24V DC loop power.

**IMPORTANT:** Remember the following:

- If separate power sources are used, do not exceed the specific isolation voltage. For more information on module specifications, see the 1756 ControlLogix I/O Specifications Technical Data, publication [1756-TD002](#).
- Place additional loop devices, for example, strip chart recorders, at either 'A' location in the current loop.

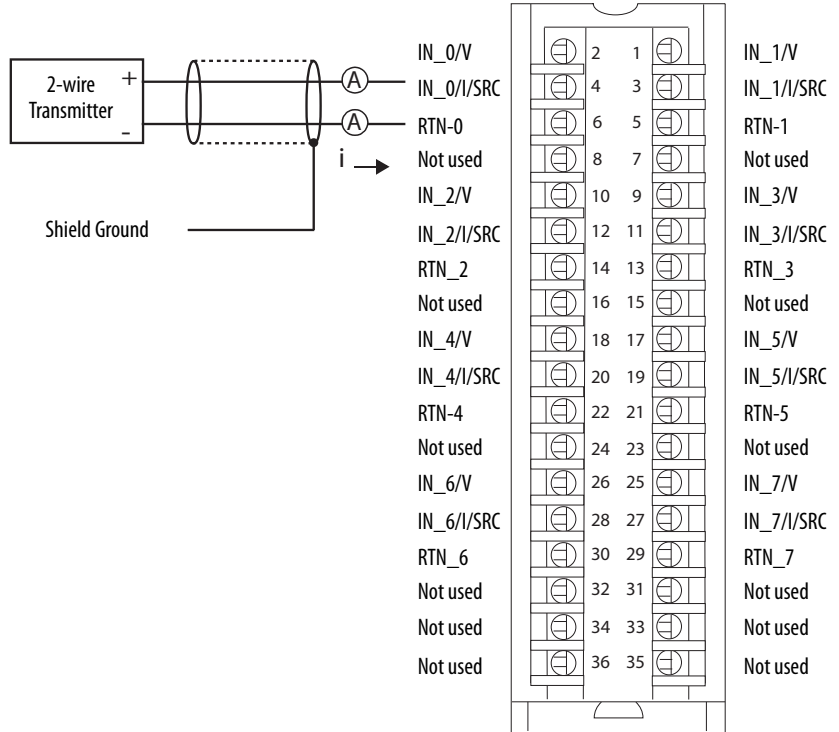
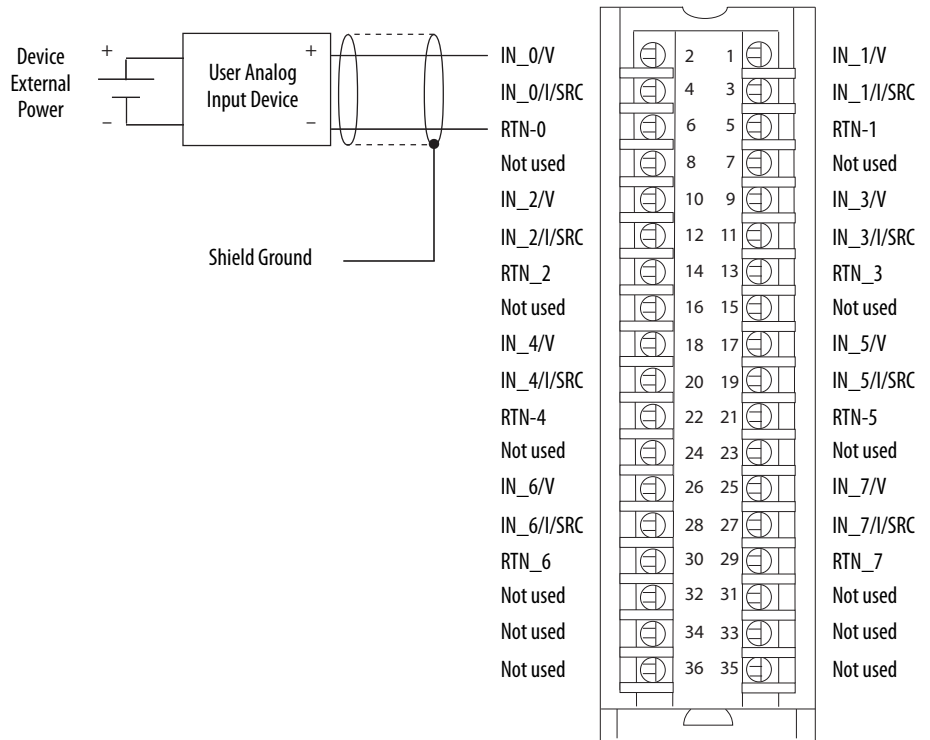




Figure 11 - 1756-IF8I Module Wiring Diagram - Voltage Mode

**IMPORTANT:** If separate power sources are used, do not exceed the specific isolation voltage. For more information on module specifications, see the 1756 ControlLogix I/O Specifications Technical Data, publication [1756-TD002](#).



## Fault and Status Reporting

The 1756-IF8I module multicasts fault and status data with channel data to the owner and listening controllers. The data is returned via module tags that you can monitor in your Logix Designer application.

With some exceptions, as noted in the following table, the 1756-IF8I module provides the fault and data status in a channel-centric format.

The following table lists the fault and status tags for the 1756-IF8I module available in the Logix Designer application.

Data Type	Tag Name	Triggering Event That Sets Tag
Fault	Fault <sup>(1)</sup>	The owner-controller loses its connection to the module.
	Ch[x].Fault	The channel data quality is bad.
	Ch[x].Underrange	The channel data is beneath the absolute minimum for this channel.
	Ch[x].Overrange	The channel data is above the absolute maximum for this channel.
Status	CIPSyncValid <sup>(1)</sup>	Indicates whether the module is synchronized to a valid CIP Sync time master on the backplane.
	CIPSyncTimeout <sup>(1)</sup>	Indicates whether a valid time master on the backplane has timed out.
	CIPSyncOffsetJump <sup>(1)</sup>	Indicates a significant jump, that is, 1 ms or greater, in the CST and CIP Sync times sent from the Time Master to the module. (The Time Master sends the CST and CIP Sync times to the module every second.) When a significant jump occurs, this tag value becomes 1 but changes to 0 a second later unless another jump occurred.
	Ch[x].Uncertain	The channel data can be imperfect.
	Ch[x].LLAlarm	The <i>I.Ch[x].Data</i> tag value is less than the <i>C.Ch[x].LLAlarmLimit</i> tag value, the <i>O.Ch[x].LLAlarmEn</i> tag is set and alarms are enabled for the channel.
	Ch[x].LAlarm	The <i>I.Ch[x].Data</i> tag value is less than the <i>C.Ch[x].LAlarmLimit</i> tag value, the <i>O.Ch[x].LAlarmEn</i> tag is set and alarms are enabled for the channel.
	Ch[x].HALarm	The <i>I.Ch[x].Data</i> tag value is greater than the <i>C.Ch[x].HALarmLimit</i> tag value, the <i>O.Ch[x].HALarmEn</i> tag is set and alarms are enabled for the channel.
	Ch[x].HHAlarm	The <i>I.Ch[x].Data</i> tag value is greater than the <i>C.Ch[x].HHAlarmLimit</i> tag value, the <i>O.Ch[x].HHAlarmEn</i> tag is set and alarms are enabled for the channel.
	Ch[x].RateAlarm	The absolute change between consecutive channel samples exceeds the <i>C.Ch[x].RateAlarmLimit</i> tag value. This alarm only applies to enabled Process alarms.
	Ch[x].CalibrationFault	Channel is not calibrated or the last attempted Calibration for this channel failed.
	Ch[x].Calibrating	The channel is currently being calibrated.
	Ch[x].CalGoodLowRef	A valid Low Reference signal has been sampled on this channel.
	Ch[x].CalBadLowRef	An invalid Low Reference signal has been sampled on this channel.
	Ch[x].CalGoodHighRef	An valid High Reference signal has been sampled on this channel.
	Ch[x].CalBadHighRef	An invalid High Reference signal has been sampled on this channel.
	Ch[x].CalSuccessful	Calibration on this channel is complete and the Calibrating state has been exited.
	Ch[x].RateOfChange	The change in channel data since last sample in Engineering Units/Second.
	Ch[x].Data	The channel data in scaled Engineering Units.
	Timestamp <sup>(1)</sup>	A 64-bit Timestamp that indicates when all eight channels were last sampled in terms of CIP Sync time.
RollingTimestamp <sup>(1)</sup>	16-bit timestamp that 'rolls' from 0 . . . 32,767 ms. Compatible with existing PID instruction to automatically calculate sample deltas.	

(1) This tag provides module-wide data and affects all channels simultaneously.

## Temperature-sensing Analog Modules

Topic	Page
Common Module Features	59
1756-IRT8I Diagrams	79
1756-IR12 Diagrams	84
1756-IT16 Diagrams	86
Fault and Status Reporting	88

Module	Description
1756-IRT8I	The 1756-IRT8I module has eight isolated channels. Each channel supports connection to the following input types: <ul style="list-style-type: none"> <li>• RTD, both 3-wire and 4-wire</li> <li>• Thermocouple mV devices</li> </ul> The module provides 24-bit data resolution. Additional features are described in this chapter.
1756-IR12	The 1756-IR12 module has 12 non-isolated channels. Each channel supports 3-wire RTD connections. The module provides 24-bit data resolution. Additional features are described in this chapter.
1756-IT16	The 1756-IT16 module has 16 non-isolated channels. Each channel supports connection to thermocouple mV devices. The module provides 24-bit data resolution. Additional features are described in this chapter.

### Common Module Features

The modules have the following features:

Feature	1756-IRT8I	1756-IR12	1756-IT16
Module Input Ranges	X	X	
Notch Filter	X	X	X
Underrange/Overrange Detection	X	X	X
Digital Filter	X	X	X
Process Alarms	X		
Rate Alarm	X		
Sensor Offset	X	X	X
10 Ohm Copper Offset	X	X	
Wire Off Detection	X	X	X
Temperature Units	X	X	X
Sensor Types	X	X	X
1756-IRT8I Thermocouple Wire Length Compensation	X		
Synchronized Sampling	X		
Cold Junction Compensation	X		X

**IMPORTANT** Most of the features available on the modules are software configurable. For more information on how to configure the module, see Chapter 7, [Configure ControlLogix Analog I/O Modules on page 125](#)

## Module Input Ranges

The modules offer multiple input ranges. The input type and sensor type selections determine the available ranges.

The following table describes the modules' input ranges in relation to the sensor type. If a single range is listed in the Input Range column, the programming application automatically selects the range used with the previously listed sensor type.

**Table 11 - Module - Channel Input Ranges**

Module	Input Type	Sensor Type	Input Range
1756-IRT8I and 1756-IR12	RTD	0hm	One of the following: <ul style="list-style-type: none"> <li>• 0...500 Ω</li> <li>• 0...1000 Ω</li> <li>• 0...2000 Ω</li> <li>• 0...4000 Ω</li> </ul>
		100 Ω PT 385	0...500 Ω
		200 Ω PT 385	0...1000 Ω
		500 Ω PT 385	0...2000 Ω
		1000 Ω PT 385	0...4000 Ω
		100 Ω PT 3916	0...500 Ω
		200 Ω PT 3916	0...1000 Ω
		500 Ω PT 3916	0...2000 Ω
		1000 Ω PT 3916	0...4000 Ω
		10 Ω CU 427	0...500 Ω
		120 Ω NI 672	0...500 Ω
		100 Ω NI 618	0...500 Ω
		120 Ω NI 618	0...500 Ω
		200 Ω NI 618	0...1000 Ω
		500 Ω NI 618	0...2000 Ω

**Table 11 - Module - Channel Input Ranges**

Module	Input Type	Sensor Type	Input Range
1756-IRT8I and 1756-IT16	Thermocouple	mV	-100...100 mV
		TC Type B	
		TC Type C	
		TC Type E	
		TC Type J	
		TC Type K	
		TC Type N	
		TC Type R	
		TC Type S	
		TC Type T	
		TC Type TXK/XK(L)	
		TC Type D	

To see where to select the input range, see [page 131](#).

## Notch Filter

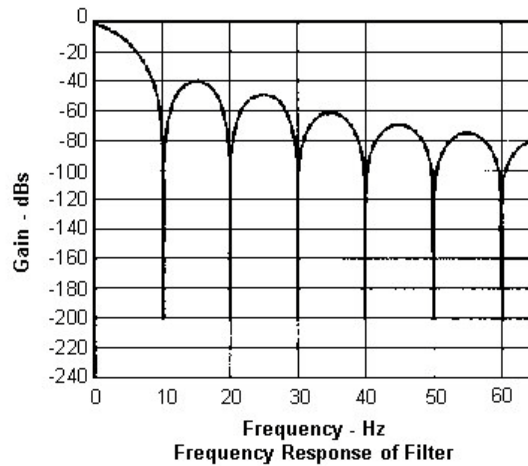
The Notch Filter is a built-in feature of the Analog-to-Digital convertor (ADC) that removes line noise in your application for **each channel**. The removal of line noise is also known as noise immunity.

The Notch Filter attenuates the input signal at the specified frequency. That is, the filter reduces the amplitude of the signal with minimal signal distortion.

Choose a Notch Filter based on what noise frequencies are present in the module's operating environment and any sampling requirements needed for control. The default Notch Filter setting is 60 Hz.

For example, a Notch Filter is typically set to 60 Hz to filter out 60 Hz AC line noise and its overtones. A 60 Hz Notch Filter setting attenuates frequencies of 60 Hz, 120 Hz, 180 Hz and so forth.

The following graphic shows 10 Hz Notch Filter selection and how the noise is dissipated over the entire spectrum but especially at the Notch Filter setting and its overtones.



#### *Relationship between Noise Rejection Level and RPI Setting*

The modules offer two levels of line noise rejection. Each level has a filter associated with it. The module automatically determines which filter is used based on the Notch Filter setting and RPI rate.

A trade-off exists between sampling speed and level of noise rejection:

- The faster the sampling speed, the less noise rejection. In this case, the 1756-IRT8I module automatically uses a SINC<sup>1</sup> filter. The 1756-IR12, and 1756-IT16 use a Sinc<sup>5</sup>+Sinc<sup>1</sup> filter combination.

This filtering option offers 34 dB noise rejection at the Notch Filter frequency and its overtones.

- At slower sampling rates (RPI > 3/Notch), the module has better noise rejection. In this case, the module automatically uses a SINC<sup>3</sup> filter.

The SINC<sup>3</sup> filter offers 100 dB noise rejection at the Notch Filter frequency and its overtones.

### 1756-IRT8I Notch Filter Setting

The following tables lists the available Notch Filter settings for the 1756-IRT8I module.

**Table 12 - 1756-IRT8I Notch Filter Settings**

Notch Setting	5 Hz	10 Hz	15 Hz	20 Hz	50 Hz	60 Hz (Default)	100 Hz	500 Hz	1000 Hz	5000 Hz
Minimum Sample Time (RPI) - SINC <sup>1</sup> Filter <sup>(1)</sup>	207.0 ms	103.5 ms	69.1 ms	51.8 ms	20.7 ms	17.3 ms	10.4 ms	2.1 ms	1.1 ms	1.0 ms
Minimum Sample Time (RPI) - SINC <sup>3</sup> Filter <sup>(1)</sup>	621.0 ms	310.5 ms	207.1 ms	153.4 ms	62.1 ms	51.9 ms	31.2 ms	6.1 ms	3.1 ms	1.0 ms
0...100% Step Response Time <sup>(2)(3)</sup>	600 ms + 1RPI	300 ms + 1RPI	200 ms + 1RPI	150 ms + 1RPI	60 ms + 1RPI	50 ms + 1RPI	30 ms + 1RPI	6 ms + 1 RPI	3 ms + 1RPI	1 ms + 1RPI
-3 dB Frequency <sup>(2)</sup>	1.3 Hz	2.7 Hz	4.3 Hz	5.1 Hz	13 Hz	15 Hz	26 Hz	128 Hz	258 Hz	1296 Hz
Typical Effective Resolution <sup>(2)(4)</sup>	19 bits	18 bits	18 bits	18 bits	17 bits	17 bits	17 bits	16 bits	15 bits	14 bits

- (1) The minimum RPI value for the module depends on the channel with the lowest Notch Filter setting. For example, if three of the channels on a module use a Notch Filter setting of 20 Hz and one channel uses a Notch Filter setting of 60 Hz, you cannot set the module RPI lower than 50.1 ms.
- (2) Using the SINC<sup>3</sup> filter.
- (3) Worst case settling time to 100% of step change includes 0...100% step response time plus one RPI sample time.
- (4) Measured in  $\pm 100$  mV range.

If your application requires a Notch Filter setting of 50 Hz, the module's minimum RPI rate is 20.7 ms. In this case, sampling speed is more important than noise rejection. The module automatically uses a SINC<sup>1</sup> filter.

If your application requires a Notch Filter setting of 50 Hz and the greater level of noise rejection provided by a SINC<sup>3</sup> filter, the minimum RPI rate is 62.1 ms. The module automatically uses a SINC<sup>3</sup> filter.

The RPI must be  $> 1/\text{Notch Filter}$  plus some small scan time for the ADC to sample properly. The SINC<sup>3</sup> filter takes three times as long and thus requires  $\text{RPI} > 3/\text{Notch}$  plus some small scan time. The module rejects combinations which violate that relationship.

**Table 13 - 1756-IRT8I Notch Filter Settings and the RPI Values**

Notch Filter	Fastest Available RPI	Fastest RPI for a SINC <sup>3</sup> Filter
5 Hz	207.0 ms	621.0 ms
10 Hz	103.5 ms	310.5 ms
15 Hz	69.1 ms	207.1 ms
20 Hz	51.8 ms	153.4 ms
50 Hz	20.7 ms	62.1 ms
60 Hz (default)	17.3 ms	51.9 ms
100 Hz	10.4 ms	31.2 ms
500 Hz	2.1 ms	6.1 ms
1000 Hz	1.1 ms	3.1 ms
5000 Hz	1.0 ms	1.0 ms

To see where to set the Notch Filter, see [page 132](#).

### 1756-IR12 and 1756-IT16 Notch Filter Setting

The following tables lists the available Notch Filter settings for the 1756-IR12 and 1756-IT16 modules.

**Table 14 - 1756-IR12 and 1756-IT16 Notch Filter Settings**

Notch Setting	20 Hz	50 Hz	60 Hz (Default)	100 Hz	500 Hz	1000 Hz	5000 Hz
Minimum Sample Time (RPI) - SINC^1 Filter <sup>(1)</sup>	200.4 ms	80.4 ms	67.1 ms	50.0 ms	50.0 ms	50.0 ms	50.0 ms
Minimum Sample Time (RPI) - SINC^3 Filter <sup>(1)</sup>	600.4 ms	240.4 ms	200.4 ms	120.4 ms	50.0 ms	50.0 ms	50.0 ms
0...100% Step Response Time <sup>(2)(3)</sup>	600 ms + 1RPI	240 ms + 1RPI	200 ms + 1RPI	120 ms + 1RPI	6 ms + 1 RPI	3 ms + 1RPI	1 ms + 1RPI
-3 dB Frequency <sup>(2)</sup>	5.1 Hz	13 Hz	15 Hz	26 Hz	128 Hz	258 Hz	1296 Hz
Typical Effective Resolution <sup>(2)(4)</sup>	18 bits	17 bits	17 bits	17 bits	16 bits	15 bits	14 bits

- (1) The notch filter setting is set on a module basis.  
 (2) Using the SINC^3 filter.  
 (3) Worst case settling time to 100% of step change includes 0...100% step response time plus one RPI sample time.  
 (4) The 1756-IR12 setting is measured in 0...5000  $\Omega$  range. The 1756-IT16 setting is measured in  $\pm 100$  mV range.

If your application requires a Notch Filter setting of 50 Hz, the module's minimum RPI rate is 80.4 ms. In this case, sampling speed is more important than noise rejection. The module automatically uses a SINC^1 filter.

If your application requires a Notch Filter setting of 50 Hz and the greater level of noise rejection provided by a SINC^3 filter, the minimum RPI rate is 240.4 ms. The module automatically uses a SINC^3 filter.

The RPI must be  $> 4/\text{Notch Filter}$  plus some small scan time for the ADC to sample properly. The SINC^3 filter takes three times as long and thus requires  $\text{RPI} > 12/\text{Notch}$  plus some small scan time. The module rejects combinations which violate that relationship.

Notch Filter	Fastest Available RPI	Fastest RPI for a SINC^3 Filter
20 Hz	200.4 ms	600.4 ms
50 Hz	80.4 ms	240.4 ms
60 Hz (default)	67.1 ms	200.4 ms
100 Hz	50.0 ms	120.4 ms
500 Hz	50.0 ms	50.0 ms
1000 Hz	50.0 ms	50.0 ms
5000 Hz	50.0 ms	50.0 ms

To see where to set the Notch Filter, see [page 132](#).



## Underrange/Ovrange Detection

This feature detects when a temperature-measuring input module is operating beyond limits set by the input range. For example, if you are using the module in the 0...1000 Ω input range and the module resistance increases to 1050 Ω, the overrange detection detects this condition.

The table lists the input ranges of non-isolated input modules and the lowest/highest signal available in each range before the module detects an underrange/ovrange condition.

**Table 15 - Low and High Signal Limits on Temperature-measuring Input Modules**

Input Type	Available Range	Underrange Threshold	Ovrange Threshold
RTD	0...500 Ω	≤ 0.00 Ω	510.00 Ω
	0...1000 Ω	≤ 0.00 Ω	1020.00 Ω
	0...2000 Ω	≤ 0.00 Ω	2040.00 Ω
	0...4000 Ω	≤ 0.00 Ω	4080.00 Ω
Thermocouple	-100...100 mV	- 101.00 mV	101.00 mV

### IMPORTANT

Be aware that the Disable All Alarms feature, does not disable the underrange/ovrange detection feature. The Disable All Alarms feature disables all alarms on the module.

The underrange/ovrange detection feature is not an alarm. It is an indicator that channel data has gone beyond the absolute maximum or minimum, respectively, for the channel's chosen range but does not trigger an alarm.

To disable the underrange/ovrange detection feature, you must disable the channel.

To see where to set the Underrange/Ovrange detection values, see [page 137](#).

## Digital Filter

The digital filter smooths input data noise transients on each input channel. This value specifies the time constant for a digital first order lag filter on the input. It is specified in units of milliseconds. A value of 0 disables the filter.

The digital filter equation is a classic first order lag equation.

$$Y_n = Y_{n-1} + \frac{[\Delta t]}{\Delta t + TA} (X_n - Y_{n-1})$$

$Y_n$  = Present output, filtered peak voltage (PV)

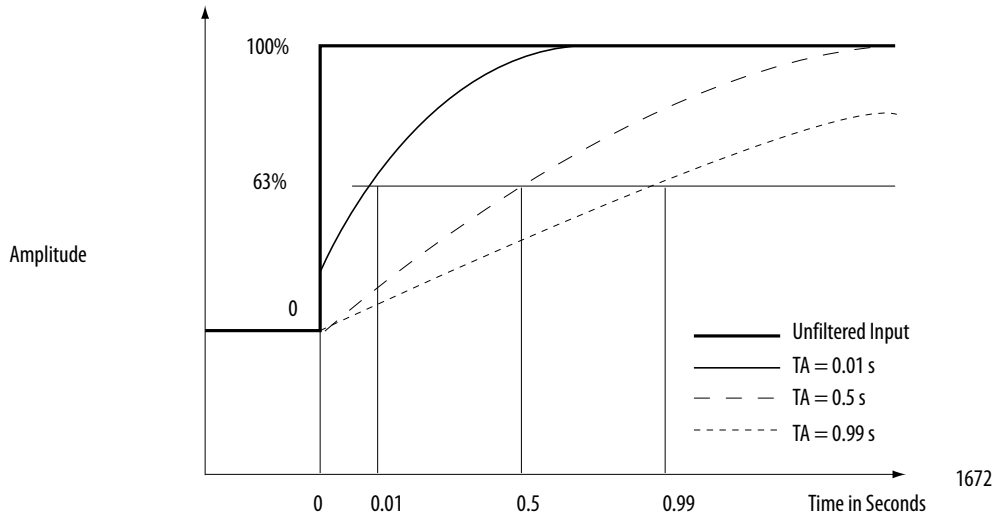
$Y_{n-1}$  = Previous output, filtered PV

$\Delta t$  = Module channel update time (seconds)

TA = Digital filter time constant (seconds)

$X_n$  = Present input, unfiltered PV

By using a step input change to illustrate the filter response, you can see that when the digital filter time constant elapses, 63.2% of the total response is reached. Each additional time constant achieves 63.2% of the remaining response.



To see where to set the Digital Filter, see [page 131](#).

## Process Alarms

The 1756-IRT8I supports process alarms. Process alarms alert you when the module has exceeded configured high or low limits for **each channel**. These are set at four, user-configurable, alarm trigger points:

- High high
- High
- Low
- Low low

You can enable or disable Process Alarms individually via the Output tags for each channel. When a module is added to your Logix Designer application project and tags are created, the Alarms are disabled by default.

Each individual Process Alarm enable tag, that is, *O.Ch[x].LLAlarmEn*, *O.Ch[x].LAlarmEn*, *O.Ch[x].HAlarmEn* and *O.Ch[x].HHAlarmEn*, is disabled when the module is created. You must enable the tags in the Output Data to allow the individual alarm to trigger.

If an enable bit of a Process Alarm is not set, the corresponding Input Process Alarm never triggers. To see where to set the Process Alarms, see [page 137](#).

You can latch process alarms. The alarm remains on, even if the condition causing it to occur disappears, until the alarm is unlatched.

**IMPORTANT** You must manually unlatch the alarm. You can unlatch the alarm, by using one of the following methods:

- While the project is online, click the Alarm Configuration tab on the Module. Then click Unlatch to unlatch a specific alarm or Unlatch All to unlatch all alarms.
- Change the module output tag for the alarm that you want to unlatch. For example, the `Ch[x].LLAlarmUnlatch` tag to unlatch a Low Low Alarm.

For more information on module tags, see Appendix A, [Analog I/O Module Tag Definitions on page 181](#).

- Use a CIP Generic message.

For more information how to use a CIP Generic message, see Rockwell Automation Knowledgebase article #63046, [How to Reset Latched Status of an Analog Module](#). You can access the article at:

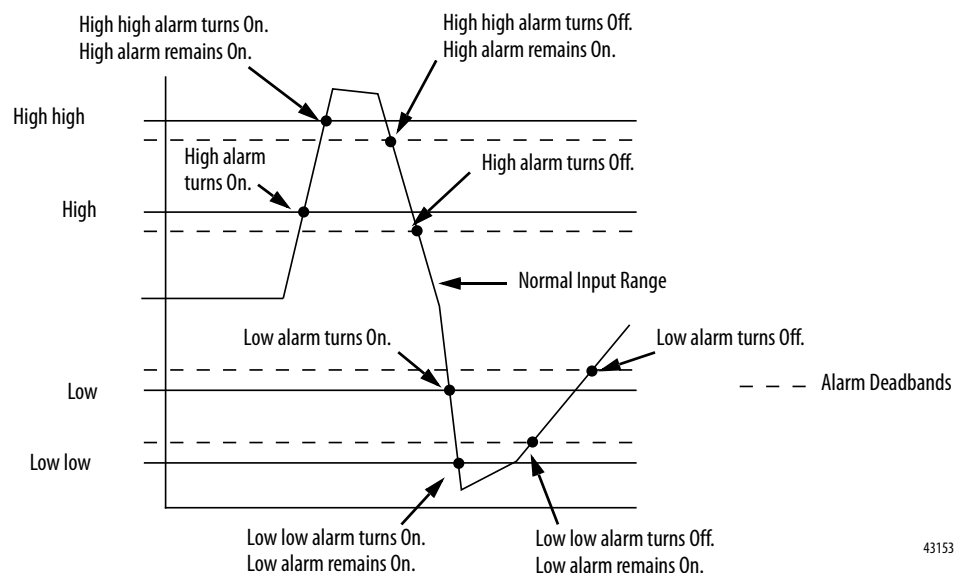
<https://rockwellautomation.custhelp.com/>

### Alarm Deadband

You can configure an alarm deadband to work with these alarms. The deadband lets the process alarm status bit remain set, despite the alarm condition disappearing, as long as the input data remains within the deadband of the process alarm. If the Alarm Deadband is mixed with Alarm Latching, an Unlatch command while the Alarm is within the Deadband causes the Alarm to be cleared.

[Figure 12](#) shows input data that sets each of the four alarms at some point during module operation. In this example, latching is disabled; therefore, each alarm turns Off when the condition that caused it to set ceases to exist.

**Figure 12 - Alarm Deadband Alarm Settings**



To see where to set the Alarm Deadband, see [page 137](#).

## Rate Alarm

The rate alarm triggers if the rate of change between input samples for **each channel** exceeds the specified trigger point for that channel. The actual rate of change for the last sample is returned in the *Ch[x].RateOfChange* input tag of each channel.

---

### EXAMPLE

In normal scaling in Celsius, if you configure a channel's rate alarm to 100.1 °C/s, the rate alarm triggers only if the difference between measured input samples changes at a rate > 100.1 °C/s.

Consider the following conditions:

- The module's RPI is 100 ms, that is, new data is sampled every 100 ms.
  - At **input sample #1**, the channel measures 355 °C.
  - At **input sample #2**, (100 ms later) the channel measures 363 °C.  
At this sample instance, the **rate alarm is not triggered** because the rate of change is less than 100.1 °C/s.  
The rate of change is 80 °C/s [(363 °C - 355 °C) / (100 ms)].
  - At **input sample #3** (100 ms later) the channel measures 350.3 °C.  
At this sample instance, the **rate alarm is triggered** because the rate of change is greater than 100.1 °C.  
The rate of change is 127 °C. [(350.3 °C - 363 °C) / (100 ms)].  
At this sample instance, the absolute value of this result is > 100.1 °C, so the rate alarm sets. Absolute value is used because rate alarm checks for the magnitude of the rate of change being beyond the trigger point, whether a positive or negative excursion.
- 

To see where to set the Rate Alarm, see [page 137](#).

## Sensor Offset

The sensor offset value compensates for any known error on the sensor or channel to which the sensor is connected. The value is set in engineering units.

You set this value via the module output tags. That is, tag *O.Ch[x].SensorOffset*, where x represents the module channel.

## 10 Ohm Copper Offset

With this feature, you can compensate for a small offset error in a 10 ohm copper RTD. The channel must be connected to the 10 Ohm CU 427 Sensor Type to use this feature. The offset value is indicated in units of 0.01 Ohms.

You can set the 10 Ohm copper offset in either of the following ways:

- On the Configuration tab of the Module Properties dialog box. In this case, valid values are from -0.99...0.99.
- Directly in the channel's *C.Ch[x].TenOhmOffset* tag. In this case, valid values are -99...99

For example, if the resistance of a copper RTD used with a channel is 9.74  $\Omega$  at 25 °C, you account for error by setting the 10 Ohm Copper Offset field on the Configuration tab to -0.26 or by setting the *C.Ch[x].TenOhmOffset* to -26.

To see where to set the 10 Ohm Copper Offset on the Configuration tab, see [page 131](#).

## Wire Off Detection

The module alerts you when one or more wires have been disconnected from a channel.

When a wire off condition occurs, the following events occur:

- Input data for the channel changes to a specific scaled value.
- A fault bit is set in the owner-controller indicating the presence of a wire off condition.

For more information on module behavior when a wire off condition occurs, see [Table 16 on page 70](#).

---

**IMPORTANT**

Be aware that the Disable All Alarms feature, does not disable the wire off detection feature. The Disable All Alarms feature disables all alarms on the module.

The wire off detection feature is not an alarm. It is an indicator that a wire has been disconnected from the channel but does not trigger an alarm.

To disable the wire off detection feature, you must disable the channel.

---

Because these modules can each be used in various applications, differences exist when a wire off condition is detected in each application. The table lists the differences that occur when a wire off condition occurs in various applications.

**Table 16 - Module Wire Off Conditions**

Application Configuration	Wire Off Condition Cause	Resulting Module Behavior
Input Type = RTD Sensor Type = Temperature or Ohm	When using a <b>3-wire RTD</b> device and any of the following exists: <ul style="list-style-type: none"> <li>• One wire is disconnected from any of the channel's terminals.</li> <li>• Wires are disconnected from any combination of terminals:                             <ul style="list-style-type: none"> <li>1756-IRT8I                                     <ul style="list-style-type: none"> <li>– IN_x(+)/A</li> <li>– IN_x(-)/B</li> <li>– IN_x/RTD C</li> </ul> </li> <li>1756-IRT12                                     <ul style="list-style-type: none"> <li>– IN_x/A</li> <li>– IN_x/B</li> <li>– RTN_x/C</li> </ul> </li> </ul> </li> <li>• All of the wires are disconnected from the channel.</li> </ul> With the 3-wire RTD device, the wire off condition is <b>detected within two seconds</b> of wires getting disconnected.	The following occurs: <ul style="list-style-type: none"> <li>• Input data for the channel changes to the highest scaled temperature value associated with the selected sensor type.</li> <li>• The <i>I.Ch[x].Overrange</i> tag is set to 1. x represents the channel number.</li> </ul>
	When using a <b>4-wire RTD</b> device and any of the following exists: <ul style="list-style-type: none"> <li>• A wire is disconnected from only terminal IN_x(-)/B.</li> <li>• Wires are disconnected from any combination of the channel's terminals, that is:                             <ul style="list-style-type: none"> <li>– IN_x(+)/A</li> <li>– IN_x(-)/B</li> <li>– IN_x/RTD C</li> <li>– IN_x/RTD D</li> </ul> </li> </ul> <p><b>IMPORTANT:</b> There is one combination exception that does not apply. A wire off condition is not detected when wires are simultaneously disconnected from only IN_x/RTD C and IN_x/RTD D terminals.</p> <ul style="list-style-type: none"> <li>• All wires are disconnected from the module.</li> </ul> With the 4-wire RTD device, the wire off condition is <b>detected within five seconds</b> of wires getting disconnected.	If bullet 1, the following occurs: <ul style="list-style-type: none"> <li>• Input data for the channel changes to the lowest scaled temperature value associated with the selected sensor type.</li> <li>• The <i>I.Ch[x].Underrange</i> tag is set to 1. x represents the channel number.</li> </ul> If bullets 2 or 3, the following occurs: <ul style="list-style-type: none"> <li>• Input data for the channel changes to the highest scaled temperature value associated with the selected sensor type.</li> <li>• The <i>I.Ch[x].Overrange</i> tag is set to 1. x represents the channel number.</li> </ul>
Input Type = Thermocouple Sensor Type = Temperature	A wire is disconnected from the module.  With the Thermocouple input type, the wire off condition is <b>detected within two seconds</b> of wires getting disconnected.	<ul style="list-style-type: none"> <li>• Input data for the channel changes to the highest scaled temperature value associated with the selected sensor type.</li> <li>• The <i>I.Ch[x].Overrange</i> tag is set to 1. x represents the channel number.</li> </ul>
Input Type = Thermocouple Sensor Type = mV	When a Wire Off condition is detected from the ADC, it is delayed by ~1 second to ensure it is a real condition. During that delay, the Uncertain bit is set for the channel, but the Data is not forced to a rail until the second has passed and the Wire Off has been continuously maintained.	<ul style="list-style-type: none"> <li>• Input data for the channel changes to the scaled value associated with the overrange signal value.</li> <li>• The <i>I.Ch[x].Overrange</i> tag is set to 1. x represents the channel number.</li> </ul>

## Temperature Units

You can use the following temperature units with your module:

- Celsius
- Kelvin
- Fahrenheit
- Rankine

Each channel is individually configurable for its temperature units.

To see where to set the Temperature Units, see [page 131](#).

## Sensor Types

This module supports multiple sensor types with the available selections dictated by the input type configuration.

**Table 17 - Available Sensor Types**

Input Type	Available Sensor Types
RTD	100 $\Omega$ PT 385 200 $\Omega$ PT 385 500 $\Omega$ PT 385 1000 $\Omega$ PT 385 100 $\Omega$ PT 3916 200 $\Omega$ PT 3916 500 $\Omega$ PT 3916 1000 $\Omega$ PT 3916 10 $\Omega$ CU 427 120 $\Omega$ NI 672 100 $\Omega$ NI 618 120 $\Omega$ NI 618 200 $\Omega$ NI 618 500 $\Omega$ NI 618
Thermocouple	B, C, D, E, J, K, N, R, S, T, TXK/XK (L)

To see where to set the Sensor Type, see [page 131](#).

### *Sensor Type Temperature Limits*

Determine sensor type temperature limits by your choice of Input Type, Sensor Type, and Temperature Units.

---

**IMPORTANT** For the 1756-IRT8I module, the **Scaling parameters are automatically set** on the Configuration tab of the Module Properties dialog box. The Scaling parameters **cannot be changed** in the software when configured for a Sensor Type that returns Temperature.

The Low Signal value equals the Low Engineering value. The High Signal value equals the High Engineering value.

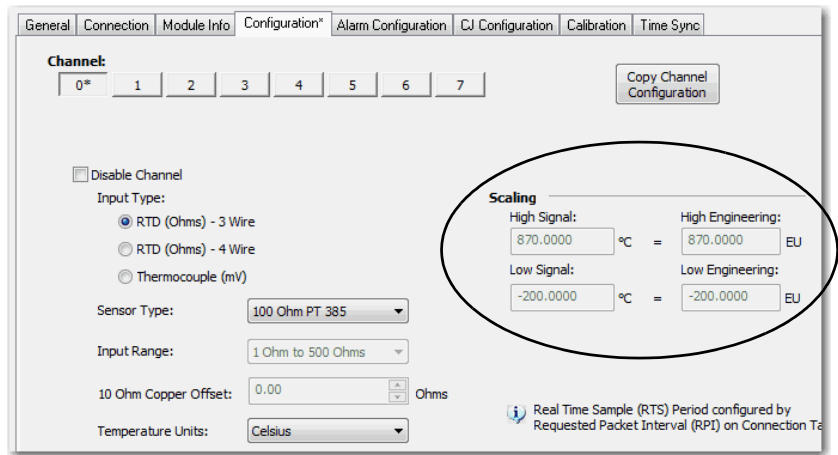
---

For example, you can configure a channel with the following parameters:

- Input Type = RTD (Ohms)
- Sensor Type = 100 Ohm Pt 385
- Temperature Units = Celsius

For the 1756-IRT8I, the Scaling parameters are set as follows:

- Low Signal = -200.0000 °C  
Low Engineering = -200.0000
- High Signal = 870.0000 °C  
High Engineering = 870.0000



The following table lists temperature range limits on the module.

**Table 18 - Temperature Limits for RTD and Thermocouple Sensor Types**

Input Type	Sensor Type	Temperature Range Limits
RTD (Ohms) - 3-wire or 4-wire	100 Ohm PT 385	-200...870 °C (-328...1598 °F) 73...1143 °K 132...2058 °R
	200 Ohm PT 385	
	500 Ohm PT 385	
	1000 Ohm PT 385	
	100 Ohm PT 3916	-200...630 °C (-328...1166 °F) 73...903 °K 132...1626 °R
	200 Ohm PT 3916	
	500 Ohm PT 3916	
	1000 Ohm PT 3916	
	10 Ohm CU 247	-200...260 °C (-328...500 °F) 73...533 °K 132...960 °R
	120 Ohm NI 672	-80...320 °C (-112...608 °F) 193...593 °K 348...1068 °R
	100 Ohm NI 618	-60...250 °C (-76...482 °F) 213...523 °K 384...942 °R
	120 Ohm NI 618	
	200 Ohm NI 618	
	500 Ohm NI 618	



**Table 18 - Temperature Limits for RTD and Thermocouple Sensor Types**

Input Type	Sensor Type	Temperature Range Limits
Thermocouple (mV)	TC Type B	21...1820 °C (68...3308 °F) 293...2093 °K 528...3768 °R
	TC Type C	0...2320 °C (32...4208 °F) 273...2593 °K 492...4668 °R
	TC Type D	0...2320 °C (32...4208 °F) 273...2593 °K 492...4668 °R
	TC Type E	-270...1000 °C (-454...1832 °F) 3...1273 °K 6...2292 °R
	TC Type J	-210...1200 °C (-346...2192 °F) 63...1473 °K 114...2652 °R
	TC Type K	-270...1372 °C (-454...2502 °F) 3...1645 °K 6...2961 °R
	TC Type N	-270...1300 °C (-454...2372 °F) 3...1573 °K 6...2832 °R
	TC Type R	-50...1768 °C (-58...3215 °F) 223...2041 °K 402...3674 °R
	TC Type S	-50...1768 °C (-58...3215 °F) 223...2041 °K 402...3674 °R
	TC Type T	-270...400 °C (-454...752 °F) 3...673 °K 6...1212 °R
	TC Type TXK/XK (L)	-200...800 °C (-328...1472 °F) 73...1073 °K 132...1932 °R

## 1756-IRT8I Thermocouple Wire Length Compensation

Wires that connect a thermocouple to the module have an intrinsic resistance that can negatively impact the accuracy of the module. The wire length and gauge are directly related to resistance level and, by extension, to impact on the module accuracy. The longer the wire length, the greater the resistance, the greater the possible negative impact on module accuracy.

To avoid increased module error resulting from increased resistance levels, the module can automatically compensate for resistance levels and maintain its accuracy. The module measures the wire resistance and actively compensates for that resistance with each sample.

---

**IMPORTANT** This functionality works when thermocouple wiring is connected to the module before the module is powered or power is cycled to the module.

**Connect wiring to the module before applying or cycling module power.**

You can disable compensation by removing the wiring prior to a power cycle and reconnecting the wiring later.

---

## Synchronized Sampling

This feature lets you synchronize input sampling across inputs on multiple modules in the same chassis, or same system if time is synchronized via CIP Sync, forcing those inputs to sample simultaneously within approximately 20  $\mu$ S of each other.

---

**IMPORTANT** Synchronized Sampling is not limited to input sample across inputs on the same module types.

You can use Synchronized Sampling across inputs on isolated analog input modules and temperature-sensing analog modules in the same system.

---

For example, if you have 12 input devices connected to two temperature-sensing analog modules and one isolated analog input module in the same chassis, or different chassis synchronized to the same CIP Sync Time Master, use Synchronized Sampling to take a snapshot of the input data available at each input at a single moment in time.

The following conditions must exist to use this feature:

- A 1588 CIP Sync Time Master is configured for the chassis.
- All modules in the set use the same RPI value or values that are multiples of each other.
- Synchronized Sampling with Other Synchronized Modules is enabled for all input channels in the set.

For these input modules, configuring one channel for Synchronized Sampling synchronizes all eight channels.

While setting the RPI to the same value on all modules guarantees that each module samples at the same rate, it does not guarantee that they sample at the same time.

When enabled, Synchronized Sampling provides each module a synchronized starting point for its respective input scans. Because the RPI values are the same, the inputs on the modules are sampled at the same rate and the same time.

To see where to enable Synchronized Sampling, see [page 131](#).

## Cold Junction Compensation

When using the module with a thermocouple input type, the channel must account for the thermoelectric effect of a junction of the thermocouple field wires and the screw terminals of an RTB or IFM.

The junction at which temperature is measured is the hot junction. The junction where the thermocouple wire interfaces with copper is the cold junction. The module always measures and reports the cold junction temperature in °C. The transition from thermocouple wire to copper typically happens either on the module screw terminal itself or at an IFM.

The thermoelectric effect alters the input signal and must be compensated for to measure temperatures accurately. To accurately compensate the input signal from your module, you must use a cold junction compensation (CJC) sensor to account for the increased voltage.

---

**IMPORTANT** CJC sensors are only required with use of the Thermocouple input type and when channel wiring is connected via an RTB.

If you are using an IFM to connecting wiring to a channel using the Thermocouple input type, you do not need to use CJC sensors.

CJC sensors **do not** come with the module. You must order CJC sensors, product catalog number 1756-CJC, separately from the module for CJC sensors which attach directly to the module's screw terminals. Catalog number 1756-CJC includes two CJC sensors.

To order CJC sensors, contact your local Allen-Bradley distributor or Rockwell Automation sales representative.

---

Remember the following when compensating the input signal from your module:

- CJC is optional and can be disabled.
- The module uses two channels for CJC. When using an RTB, you must connect CJC sensors at RTB terminals 1, 2, 35, and 36.

---

**IMPORTANT** If you use CJC, you must connect CJC sensors to both channels, that is, terminals 1, 2, 35, and 36.

You cannot use CJC and connect a CJC sensor to only one channel.

---

- Differences exist between using an RTB or IFM to connect wiring to the module. They are described in the rest of this section.

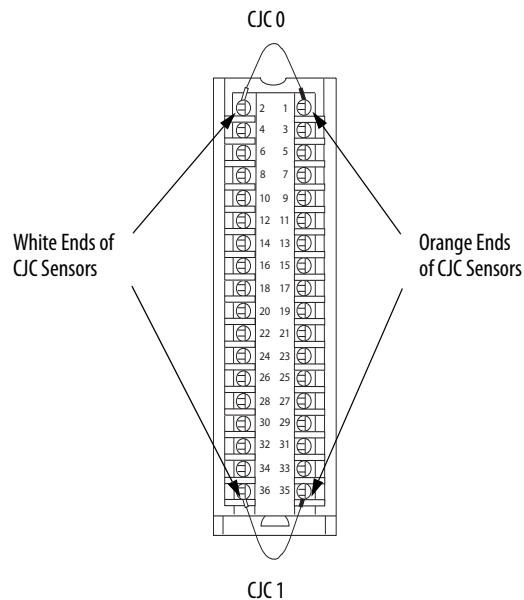
### Connecting a CJC via a Removable Terminal Block

When using an RTB, if you choose to connect CJC sensors to your module, you must connect a CJC sensor at the top of the RTB and one at the bottom of the RTB.

**IMPORTANT**

Remember the following:

- Connect the white end of the CJC sensor to the even-numbered terminals. For CJ 0, connect the white end to terminal 2. For CJ 1, connect the white end to terminal 36.
- Connect the orange end of the CJC sensor to the odd-numbered terminals. For CJ 0, connect the orange end to terminal 1. For CJ 1, connect the orange end to terminal 35.
- Two CJC values indicate the temperature of the top and bottom CJC sensor.
- CJC sensor temperatures are indicated in degrees Celsius.

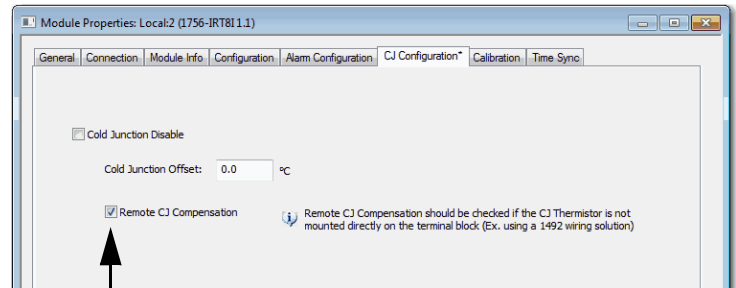


### Connecting a Cold Junction Sensor via an Interface Module

The IFMs use an isothermal bar to maintain a steady temperature at all module terminations. When using the IFM, we recommend that you mount it so that the black anodized aluminum bar is in the horizontal position.

When using an IFM, do not connect a CJC sensor to the module because it is built into the IFM. However, you must enable the Remote CJ Compensation field in the Logix Designer application as shown below.

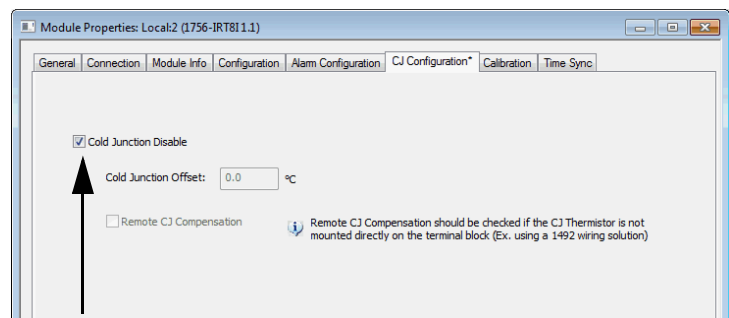
If you connect a CJS via an IFM, configure the module as shown on the Module Properties Configuration tab.



Check Remote  
CJ Compensation.

### *Cold Junction Disable Option*

You can disable cold junction compensation on your module. Check Cold Junction Disable to disable compensation as shown below.



Check Cold  
Junction Disable

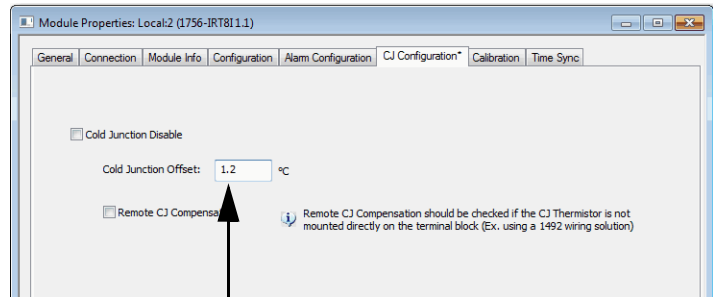
### **IMPORTANT**

Consider the following before disabling cold junction compensation:

- We recommend that you do not disable the cold junction disable option. Typically, this option is used only in systems that have no thermoelectric effect, such as test equipment in a controlled lab.
- The Cold Junction Disable box on the Module Properties Configuration tab disables cold junction compensation on all module channels.

### Cold Junction Offset Option

The Cold Junction Offset box on the Module Properties Configuration Tab lets you make module-wide adjustments to cold junction compensation values. The single Cold Junction Offset affects all channels equally. If you know that your cold junction compensation values are consistently inaccurate by some level, for example, 1.2 °C, type the value into the box to account for this inaccuracy.



Type offset value.

---

**IMPORTANT** Cold Junction temperatures are always reported as Celsius temperature units, and, offset values are always set in Celsius temperature units.  
You cannot change the temperature units.

---

# 1756-IRT8I Diagrams

**Figure 13 - 1756-IRT8I Module Block Diagram**

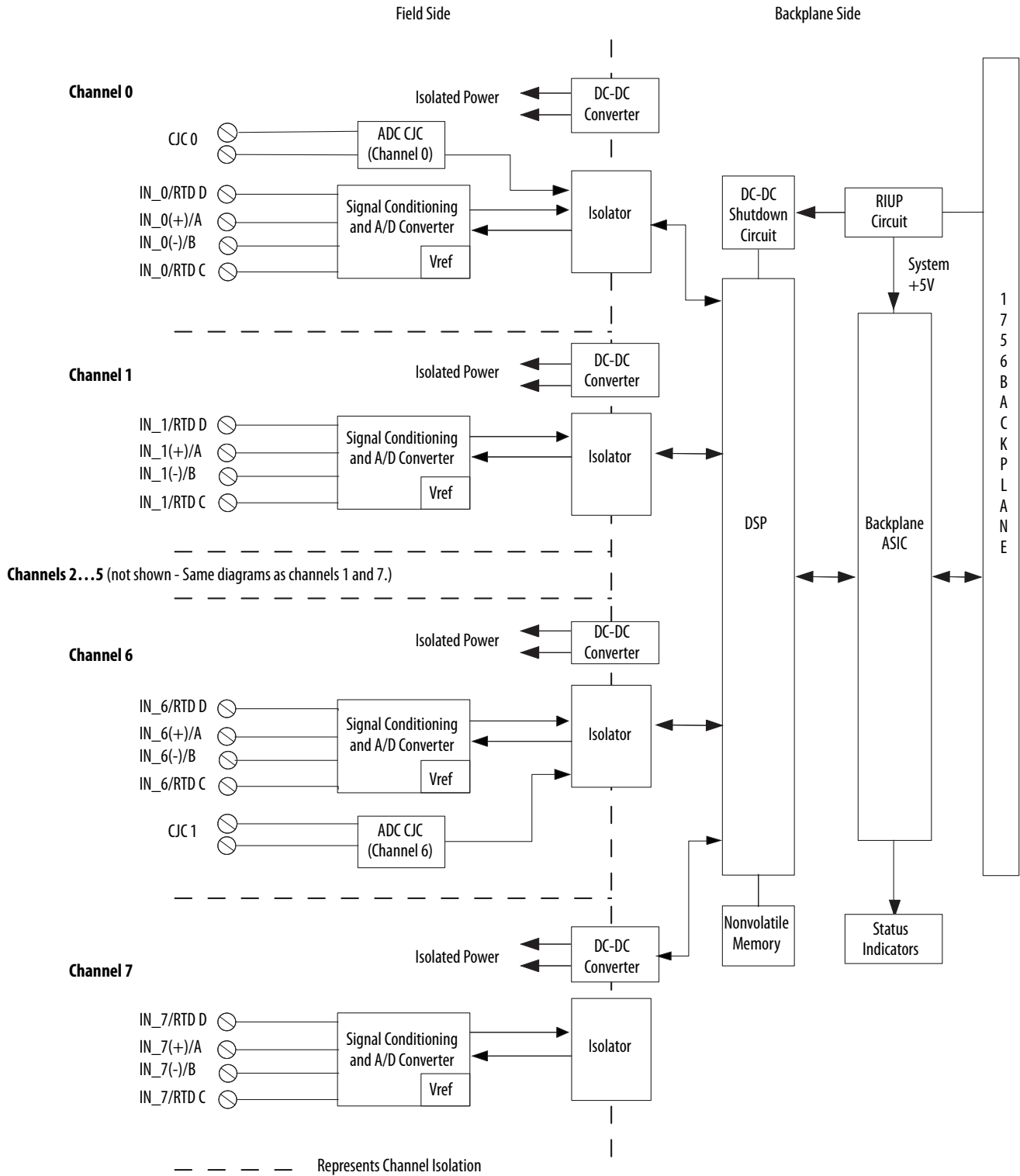


Figure 14 - 1756-IRT8I Module Field-side with 3-wire RTD Input

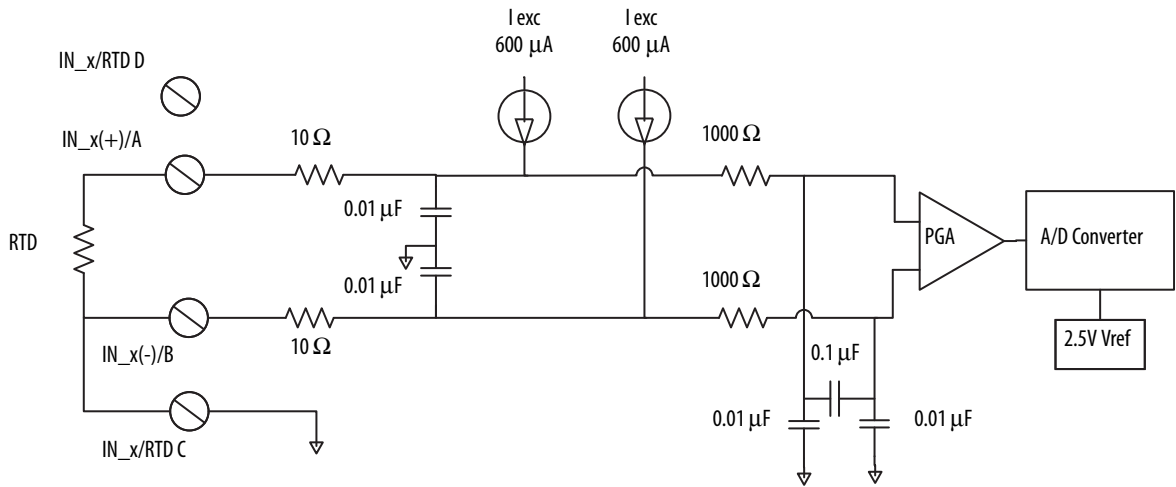


Figure 15 - 1756-IRT8I Module Field-side with 4-wire RTD Input

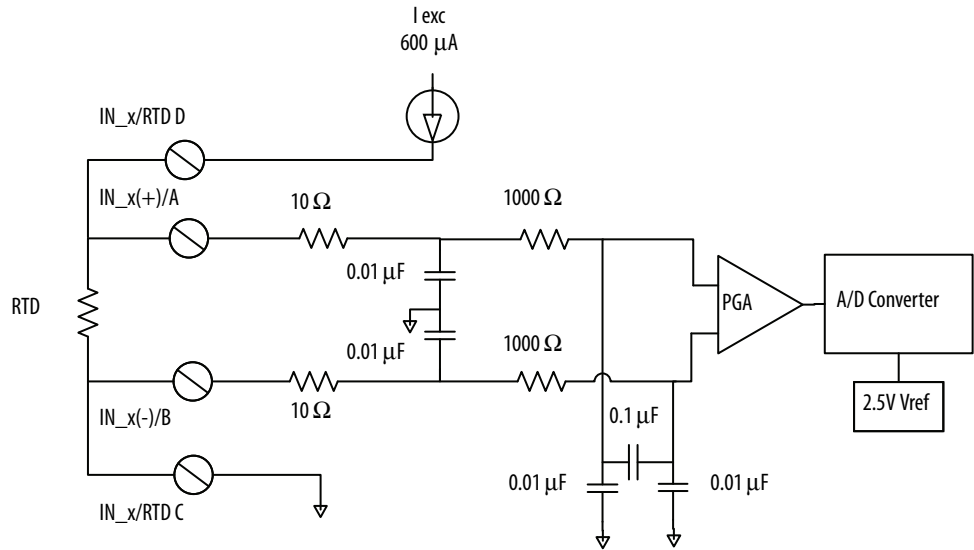
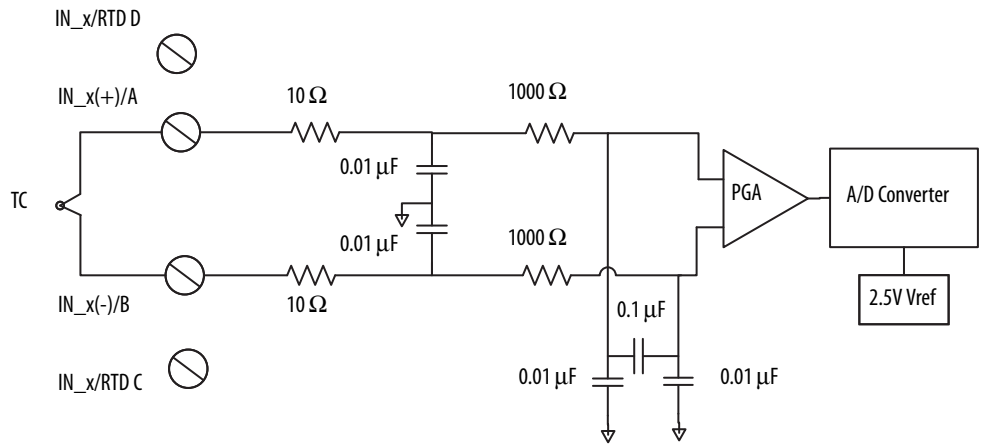


Figure 16 - 1756-IRT8I Module Field-side Circuit with Thermocouple Input





**Figure 17 - 1756-IRT8I Module Wiring Diagram - 3-wire RTD Input**

**IMPORTANT:** Remember the following:

- If separate power sources are used, do not exceed the specific isolation voltage. For more information on module specifications, see the 1756 ControlLogix I/O Specifications Technical Data, publication [1756-TD002](#).
- Terminals 1, 2, 35, and 36 are not used in RTD applications.
- For 2-wire resistor applications including calibration, make sure IN\_x(-)/B and IN\_x/RTD C are shorted together.

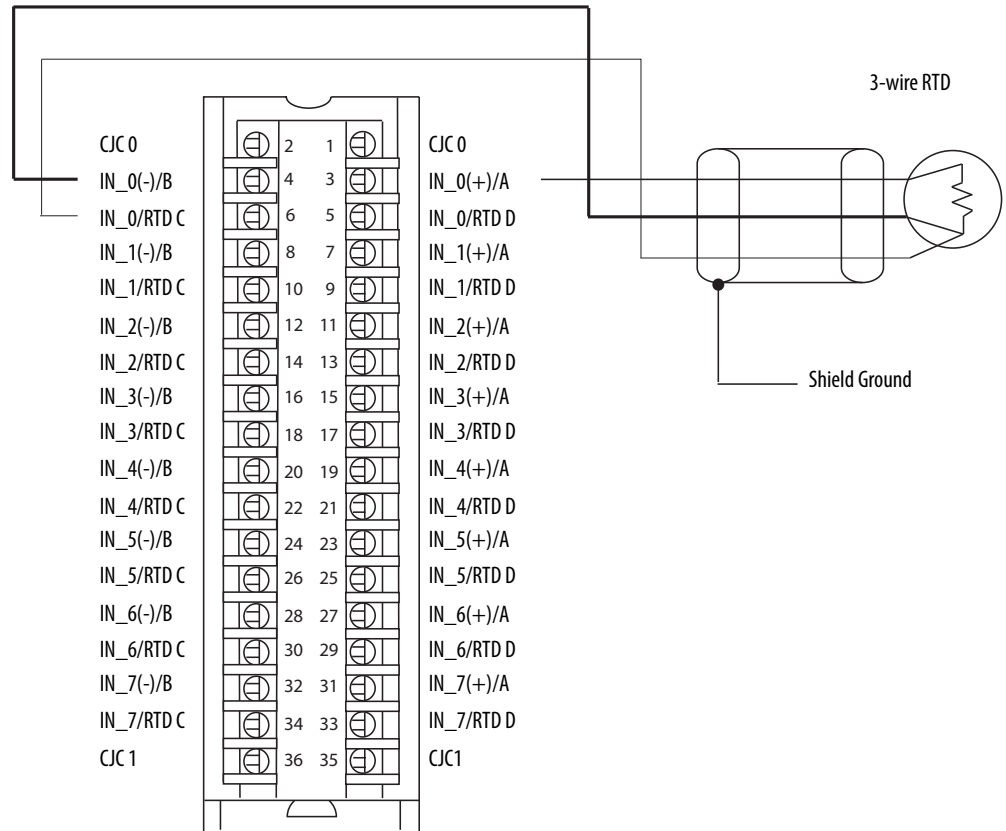
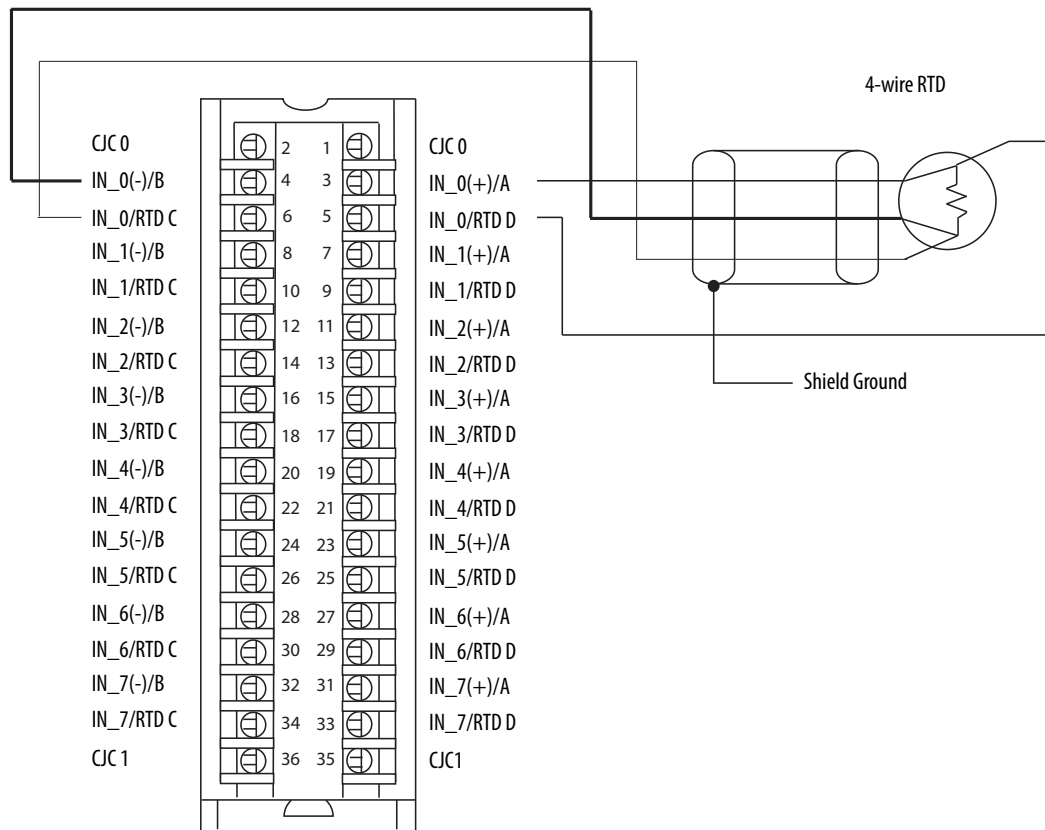


Figure 18 - 1756-IRT8I Module Wiring Diagram - 4-wire RTD Input

**IMPORTANT:** Remember the following:

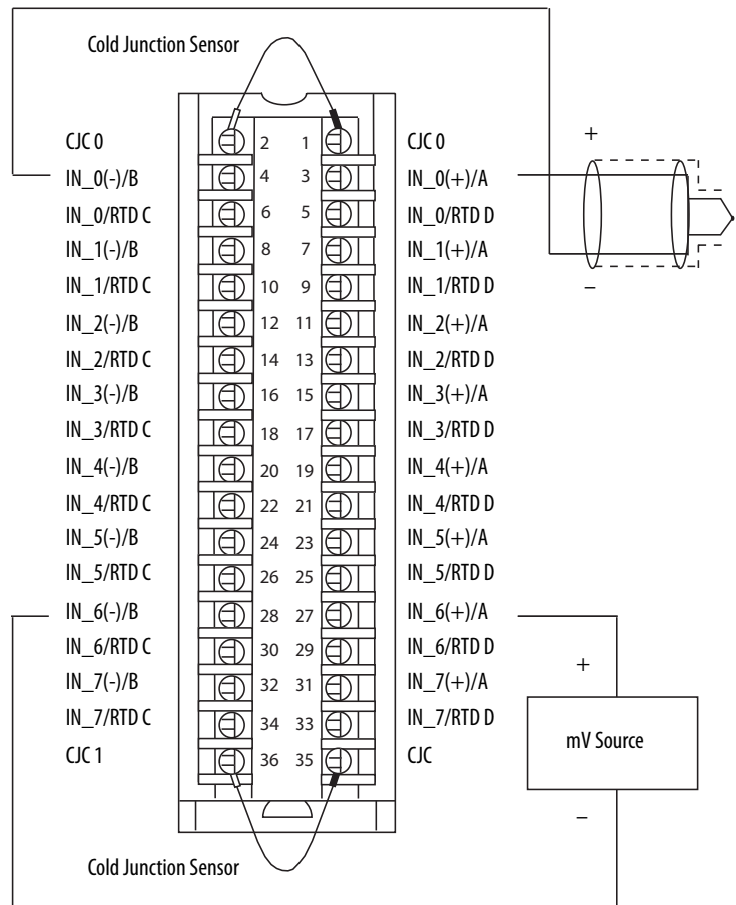
- If separate power sources are used, do not exceed the specific isolation voltage. For more information on module specifications, see the 1756 ControlLogix I/O Specifications Technical Data, publication [1756-TD002](#).
- Terminals 1, 2, 35, and 36 are not used in RTD applications.



**Figure 19 - 1756-IRT8I Module Wiring Diagram - Thermocouple Input**

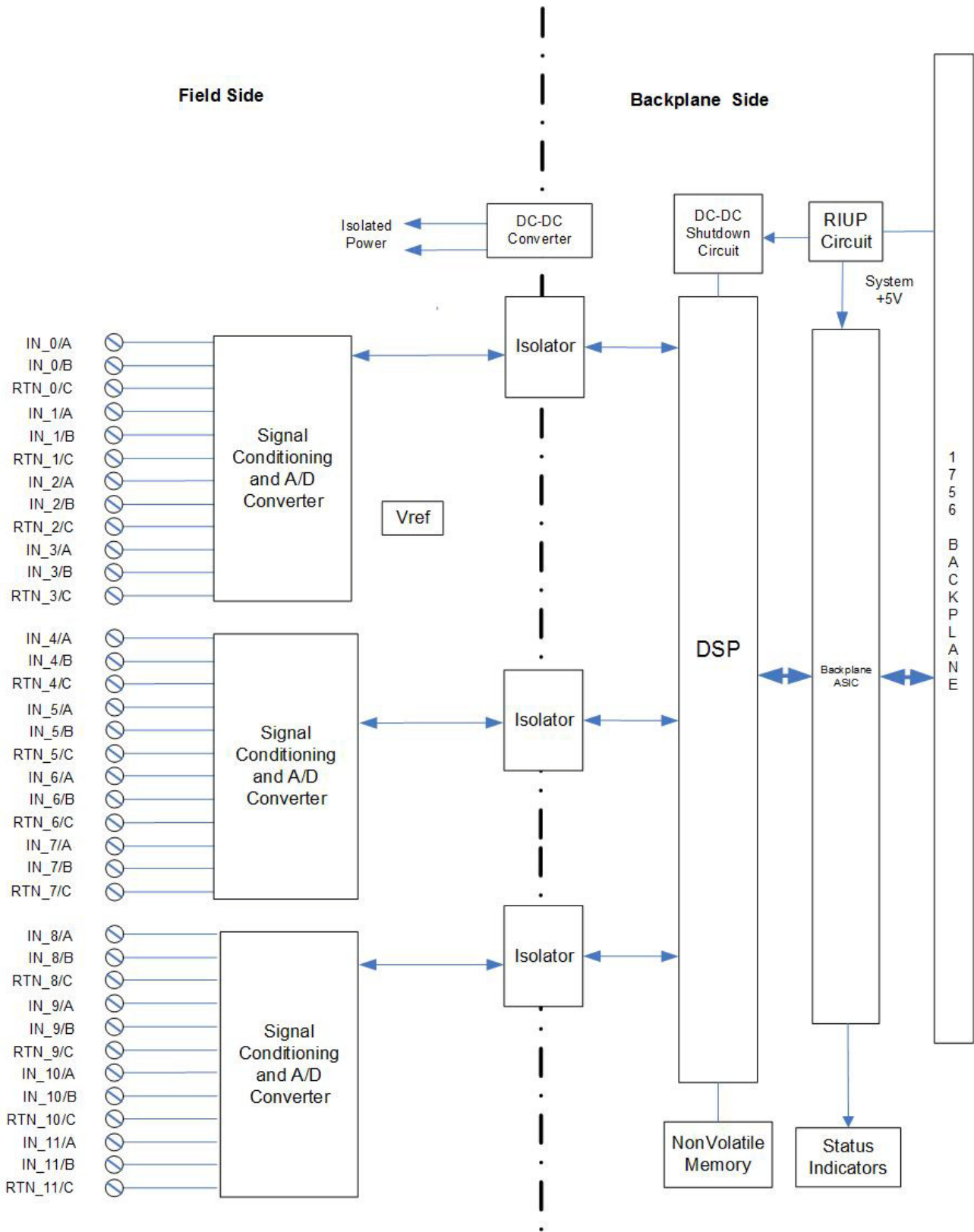
**IMPORTANT:** Remember the following:

- Connect the white end of the CJC sensor to the even-numbered terminal., and connect the orange end of the CJC sensor to the odd-numbered terminals.
- For CJC 0:
- White end - Connected to terminal number 2
  - Orange end - Connected to terminal number 1
- For CJC 1:
- White end - Connected to terminal number 36
  - Orange end - Connected to terminal number 35
- If separate power sources are used, do not exceed the specific isolation voltage. For more information on module specifications, see the 1756 ControlLogix I/O Specifications Technical Data, publication [1756-TD002](#).

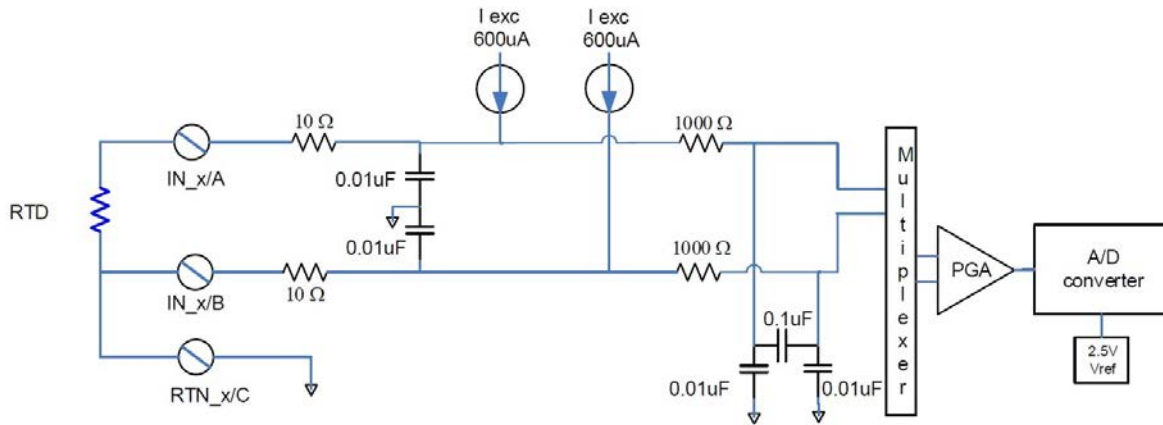


# 1756-IR12 Diagrams

Figure 20 - 1756-IR12 Module Block Diagram



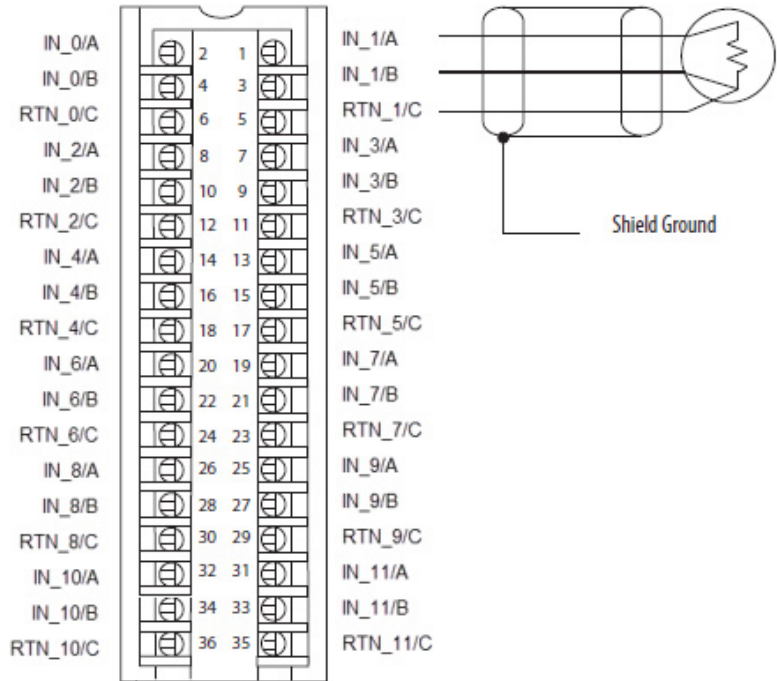
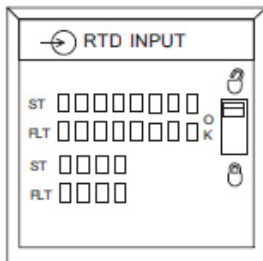
**Figure 21 - 1756-IR12 Module Field-side Circuit with RTD Input**



**Figure 22 - 1756-IR12 Module Wiring Diagram - 3-wire RTD Input**

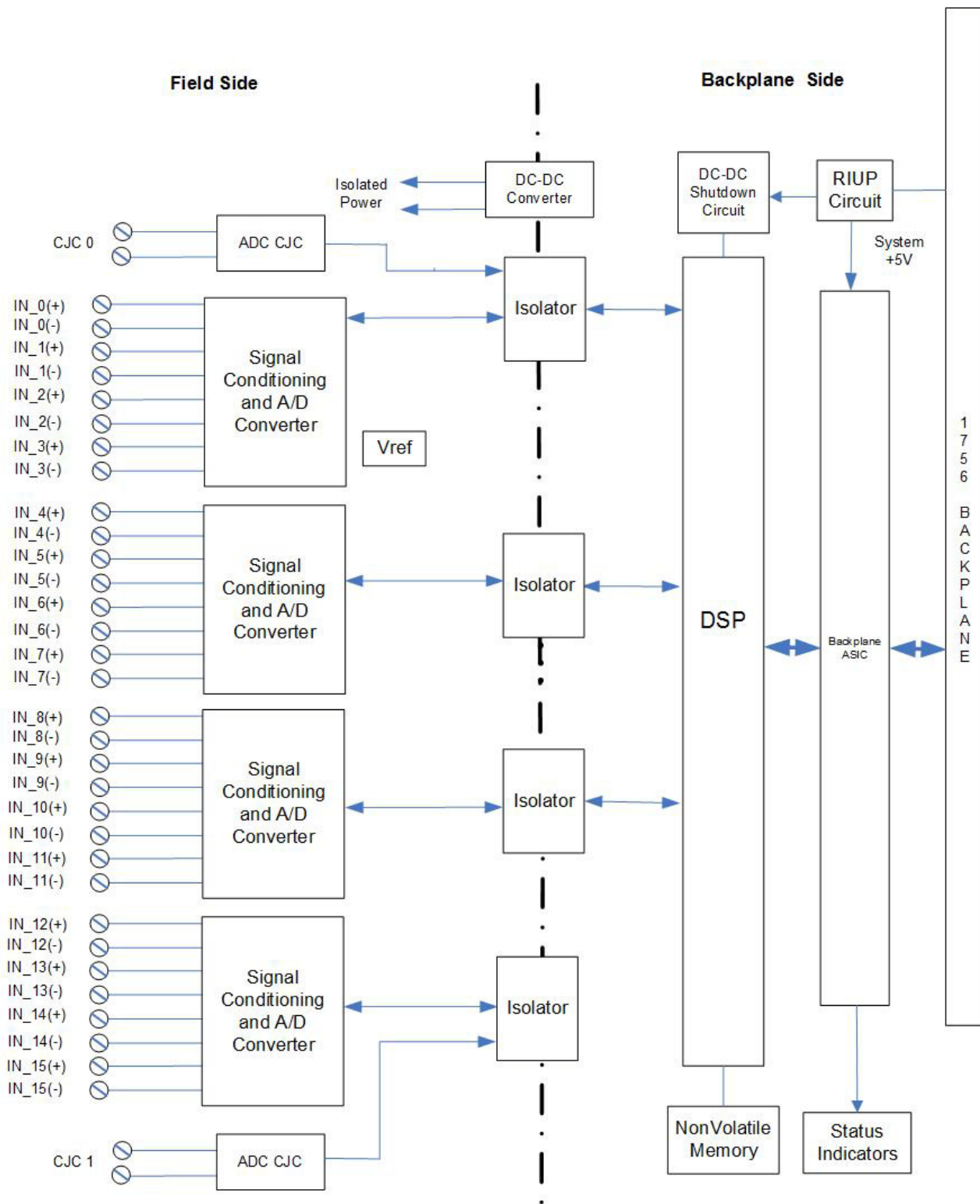
**IMPORTANT:** Remember the following:

- If separate power sources are used, do not exceed the specific isolation voltage as listed in the specifications.
- For 2-wire resistor applications including calibration, make sure IN\_x/B and RTN\_x/C are shorted together.

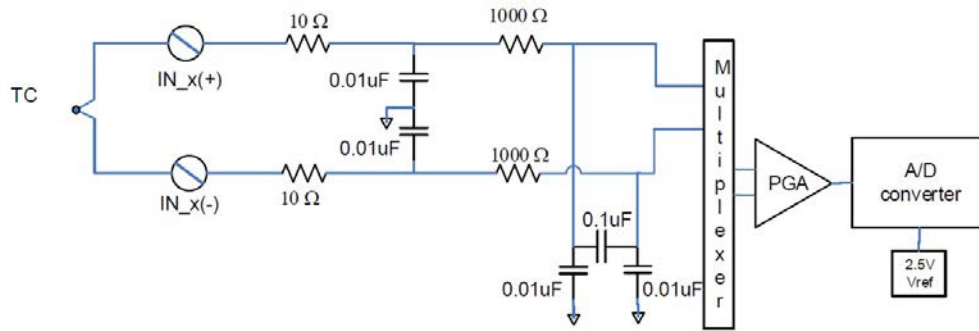


# 1756-IT16 Diagrams

Figure 23 - 1756-IT16 Module Block Diagram



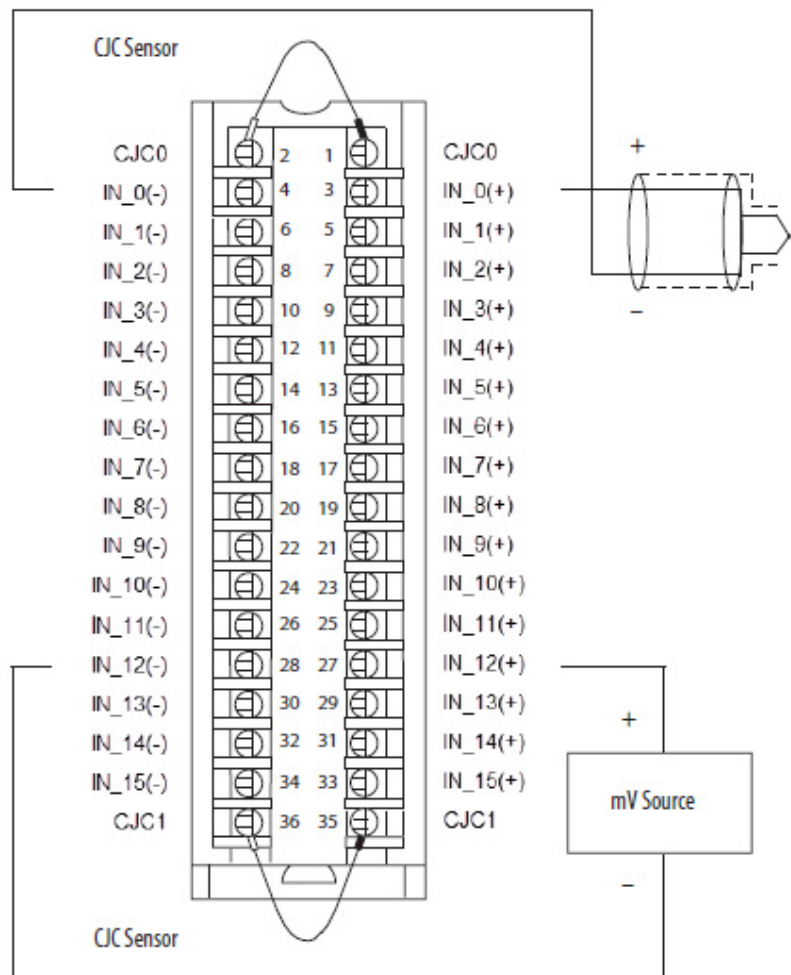
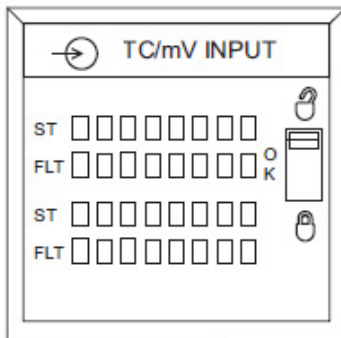
**Figure 24 - 1756-IT16 Module Field-side Circuit with Thermocouple Input**



**Figure 25 - 1756-IT16 Module Wiring Diagram - Thermocouple Input**

**IMPORTANT:** Remember the following:

- Connect the white end of the CJC sensor to the even-numbered terminal. Connect the orange end of the CJC sensor to the odd-numbered terminals.
- For CJC 0:
  - White end - Connected to terminal number 2
  - Orange end - Connected to terminal number 1
- For CJC 1:
  - White end - Connected to terminal number 36
  - Orange end - Connected to terminal number 35
- CJC sensors do not come with the module. You must order the sensors, product catalog number 1756-CJC, separately.
- If separate power sources are used, do not exceed the specific isolation voltage as listed in the specifications.



## Fault and Status Reporting

The module multicasts fault and status data with channel data to the owner and listening controllers. The data is returned via module tags that you can monitor in your Logix Designer application.

The following table lists the complete set of fault and status tags for temperature-sensing modules. Check your module's configuration in the Logix Designer application to determine which tags are available. Refer to [Analog I/O Module Tag Definitions on page 181](#) for specific information on applying tags to each module.

**Table 19 - Fault and Status Data Tags**

Data Type	Tag Name	Triggering Event That Sets Tag
Fault	Fault <sup>(1)</sup>	The owner-controller loses its connection to the module.
	CJ[x].Underrange	The cold junction for the channel is below 0 °C.
	CJ[x].Overrange	The cold junction for the channel is above 86 °C.
	Ch[x].Fault	The channel data quality is bad.
	Ch[x].Underrange	The channel data is beneath the absolute minimum for this channel.
	Ch[x].Overrange	The channel data is above the absolute maximum for this channel.
Status	CIPSyncValid <sup>(1)</sup>	Indicates whether the module is synchronized to a valid CIP Sync time master on the backplane.
	CIPSyncTimeout <sup>(1)</sup>	Indicates whether a valid time master on the backplane has timed out.
	CIPSyncOffsetJump <sup>(1)</sup>	Indicates a significant jump, that is, 1 ms or greater, in the CST and CIP Sync times sent from the Time Master to the module. (The Time Master sends the CST and CIP Sync times to the module every second.) When a significant jump occurs, this tag value becomes 1 but changes to 0 a second later unless another jump occurred.
	Ch[x].Uncertain	The channel data can be imperfect.
	Ch[x].LLAlarm	The <i>I.Ch[x].Data</i> tag value is less than the <i>C.Ch[x].LLAlarmLimit</i> tag value, the <i>O.Ch[x].LLAlarmEn</i> tag is set and alarms are enabled for the channel.
	Ch[x].LAlarm	The <i>I.Ch[x].Data</i> tag value is less than the <i>C.Ch[x].LAlarmLimit</i> tag value, the <i>O.Ch[x].LAlarmEn</i> tag is set and alarms are enabled for the channel.
	Ch[x].HAlarm	The <i>I.Ch[x].Data</i> tag value is greater than the <i>C.Ch[x].HAlarmLimit</i> tag value, the <i>O.Ch[x].HAlarmEn</i> tag is set and alarms are enabled for the channel.
	Ch[x].HHAlarm	The <i>I.Ch[x].Data</i> tag value is greater than the <i>C.Ch[x].HHAlarmLimit</i> tag value, the <i>O.Ch[x].HHAlarmEn</i> tag is set and alarms are enabled for the channel.
	Ch[x].RateAlarm	The absolute change between consecutive channel samples exceeds the <i>C.Ch[x].RateAlarmLimit</i> tag value. This alarm only applies to enabled Process alarms.
	Ch[x].CalibrationFault	The channel is not calibrated or the last attempted calibration for this channel failed.
	Ch[x].Calibrating	The channel is currently being calibrated.
	Ch[x].CalGoodLowRef	A valid Low Reference signal has been sampled on this channel.
	Ch[x].CalBadLowRef	An invalid Low Reference signal has been sampled on this channel.
	Ch[x].CalGoodHighRef	A valid High Reference signal has been sampled on this channel.
	Ch[x].CalBadHighRef	An invalid High Reference signal has been sampled on this channel.
	Ch[x].CalSuccessful	Calibration on this channel is complete and the Calibrating state has been exited.
	Ch[x].RateOfChange	The change in channel data since last sample in Engineering Units/Second.
	Ch[x].Data	The channel data in scaled Engineering Units.
	Timestamp <sup>(1)</sup>	A 64-bit timestamp indicating when all 8 channels were last sampled in terms of CIPSync time.
RollingTimestamp <sup>(1)</sup>	16-bit timestamp that 'rolls' from 0 . . . 32,767 ms. Compatible with existing PID instruction to automatically calculate sample deltas. The timestamp changes when any one of the output channels is updated.	

(1) This tag provides module-wide data and affects all channels simultaneously.



---

## 1756-OF8I Isolated Analog Output Module

Topic	Page
1756-OF8I Module Features	93
1756-OF8I Diagrams	93
Drive Different Loads with the 1756-OF8I Module	96
Fault and Status Reporting	97
Redundant Owners	98

The 1756-OF8I module has eight isolated channels. Each channel supports the following output types:

- Current
- Voltage

The module provides 16-bit resolution. Additional features are described in this chapter.

### 1756-OF8I Module Features

The 1756-OF8I module has the following features:

- Multiple Output Ranges
- Channel Offset
- Ramping/Rate Limiting
- Hold for Initialization
- Clamping/Limiting
- Clamp/Limit Alarms
- Data Echo
- Redundant Owners

---

**IMPORTANT** Most of the features available on the 1756-OF8I module are software configurable. For more information on how to configure the module, see Chapter 7, [Configure ControlLogix Analog I/O Modules on page 125](#).

---

## Multiple Output Ranges

The 1756-OF8I module offers multiple output ranges that are dictated by channel configuration choices. The output type selection determines the available ranges.

**Table 20 - Channel Output Ranges**

Output Type	Output Range
Current (mA)	0...20 mA
Voltage (V)	Any of the following: <ul style="list-style-type: none"> <li>• -10...10V</li> <li>• 0...5V</li> <li>• 0...10V</li> </ul>

To see where to select the output range, see [page 131](#).

## Channel Offset

With this feature, you can compensate for any known error on the sensor or channel to which the sensor is connected. This value is in engineering units and is added to the output data.

You can set the channel offset in either of the following ways:

- On the Configuration tab of the Module Properties dialog box.
- Directly in the channel's *C.Ch[x].Offset* tag.

For example, if the channel has an error such that it reads 8 mA as 7.8 mA, you account for the error by setting the Channel Offset field on the Configuration tab to 1.2500 if using the default scaling of 4...20 ma = 0...100%, or by setting the *C.Ch[x].Offset* tag to 1.25.

To see where to set the Channel Offset, see [page 131](#).

## Ramping/Rate Limiting

Ramping limits the speed at which an analog output signal can change. This prevents fast transitions in the output from damaging the devices that an output module controls. Ramping is also known as rate limiting.

The table describes the types of ramping that are possible.

Ramping type	Description
Run mode ramping	When the module is in Run mode, ramping occurs to all new output values at the MaxRampRate.
Ramp to Program mode	When the present output value changes to the Program value after a Program command is received from the controller.
Ramp to Fault mode	When the present output value changes to the Fault value after a communication fault occurs.

The maximum rate of change in outputs is expressed in engineering units per second (Engineering Units/second) and called the maximum ramp rate.

To see where to set Ramping, see [page 139](#).

## Hold for Initialization

Hold for Initialization causes outputs to hold present state until the value commanded by the controller matches the value at the output screw terminal within 0.1% of full scale, providing a bumpless transfer.

If Hold for Initialization is selected, outputs hold if there is an occurrence of any of these three conditions:

- Initial connection is established after power up.
- A new connection is established after a communication fault occurs.
- There is a transition to Run mode from Program state.

The *I.Ch[x].InHold* tag for a channel indicates that the channel is holding.

## Clamping/Limiting

Clamping limits the output from the analog module to remain within a range configured by the controller, even when the controller commands an output outside that range. This safety feature sets a high clamp and a low clamp.

Once clamps are determined for a module and enabled, any data received from the controller that exceeds those clamps sets an appropriate limit alarm and transitions the output to that limit but not beyond the requested value.

For example, an application can set the high clamp on a module for 8V and the low clamp for -8V. If a controller sends a value corresponding to 9V to the module, the module applies only 8V to its screw terminals.

You can disable or latch clamping alarms on a per channel basis. The alarms are disabled by default.

---

**IMPORTANT**

Clamp values are in engineering units and are **not automatically updated** when the scaling high and low engineering units are changed. Failure to update the clamp values can generate a very small output signal that could be misinterpreted as a hardware problem.

For example, a 1756-OF8I module channel that uses a Current (mA) output type with Clamping enabled has the following configuration parameters:

- Scaling values:
  - High Engineering = 100.0000%
  - Low Engineering = 0.0000%
- Clamp Limits:
  - High Clamp = 100.0000%
  - Low Clamp = 0.0000%

If you change the Scaling High Engineering value to 90.0000%, the High Clamp value remains at 100.0000.

**You must change** the High Clamp value to 90.0000 to make sure the application continues to operate as expected.

---

## Clamp/Limit Alarms

This function works directly with clamping. When a module receives a data value from the controller that exceeds clamping limits, it applies signal values to the clamping limit but also sends a status bit to the controller notifying it that the value sent exceeds the clamping limits.

With the previous example, if a module has clamping limits of 8V and -8V but then receives data to apply 9V, only 8V is applied to the screw terminals and the module sends a status bit back to the controller informing it that the 9V value exceeds the module's clamping limits.

To see where to set clamp and limit alarms, see [page 139](#).

## Data Echo

Data Echo automatically multicasts channel data values that match the analog value that was sent to the module's screw terminals at that time.

The 1756-OF8I module returns a status word that represents the value sent to it by the controller. The echoed value is indicated in input tag *I.Ch[x].Data* and is represented in Engineering Units.

Fault and status data are also sent. This data is sent at the RPI.

# 1756-0F8I Diagrams

Figure 26 - 1756-0F8I Module Block Diagram

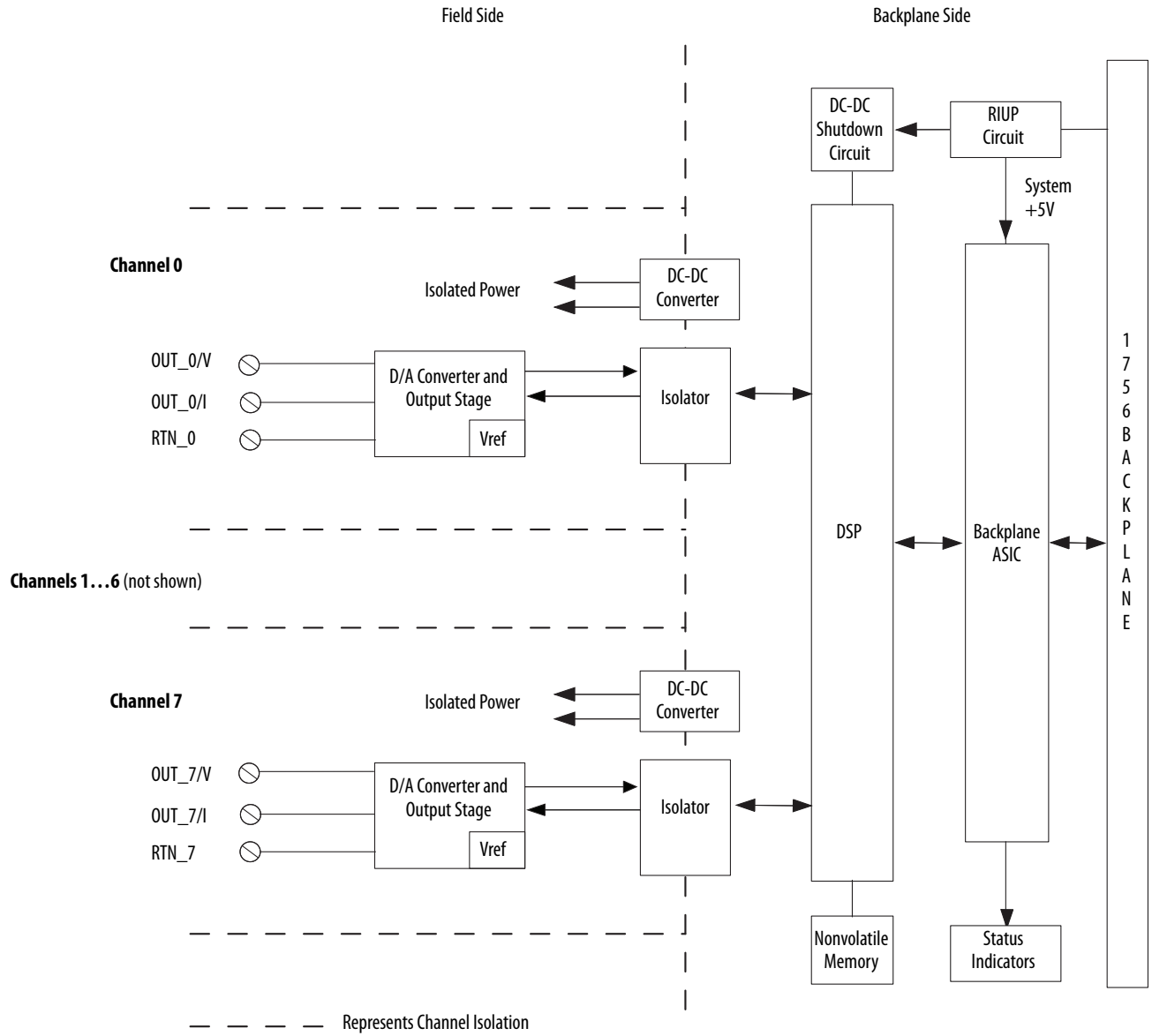


Figure 27 - 1756-OF8I Module Field-side Circuit with Current Output

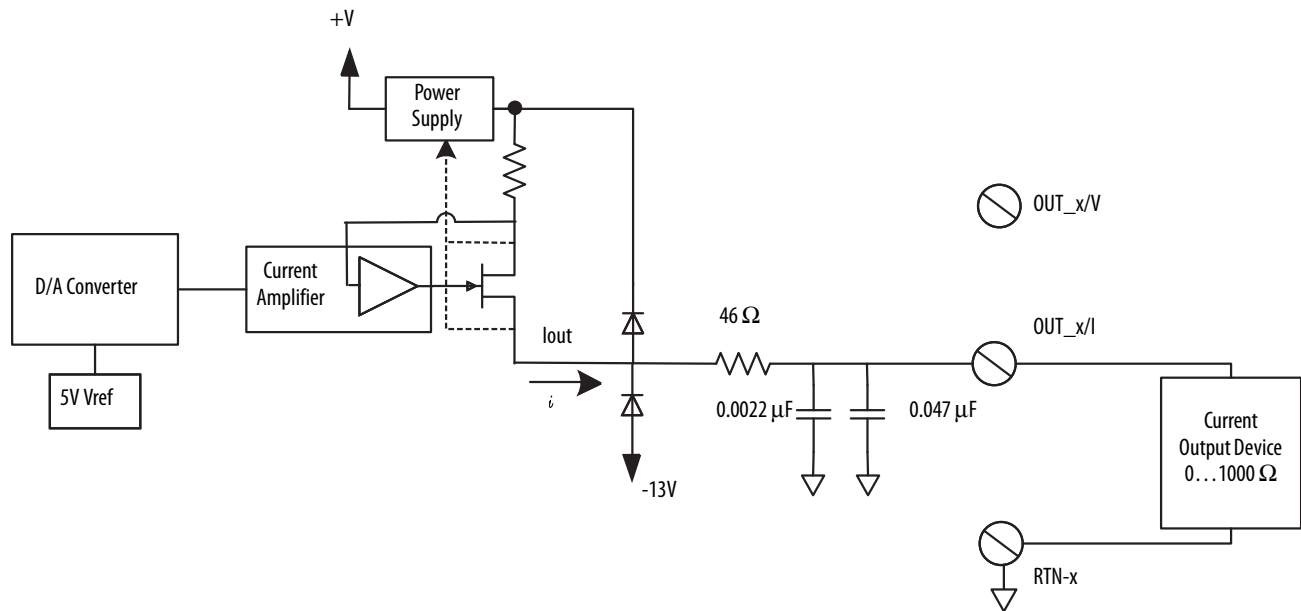
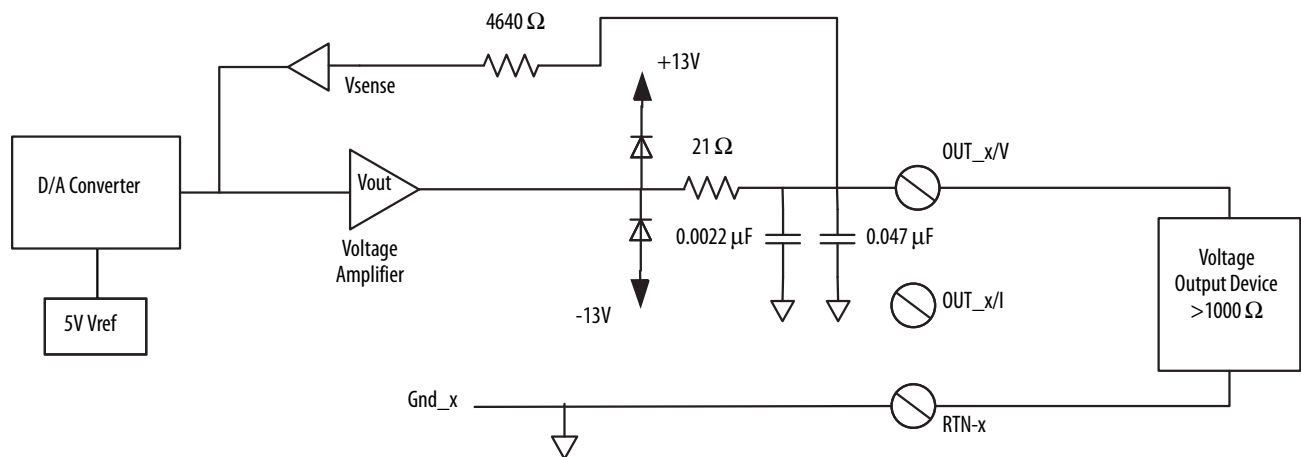


Figure 28 - 1756-OF8I Module Field-side Circuit with Voltage Output



**Figure 29 - 1756-0F8I Module Wiring Diagram - Current Output Type**

- IMPORTANT:** Remember the following:
- If separate power sources are used, do not exceed the specific isolation voltage. For more information on module specifications, see the 1756 ControlLogix I/O Specifications Technical Data, publication [1756-TD002](#).
  - Place additional devices anywhere in the loop.

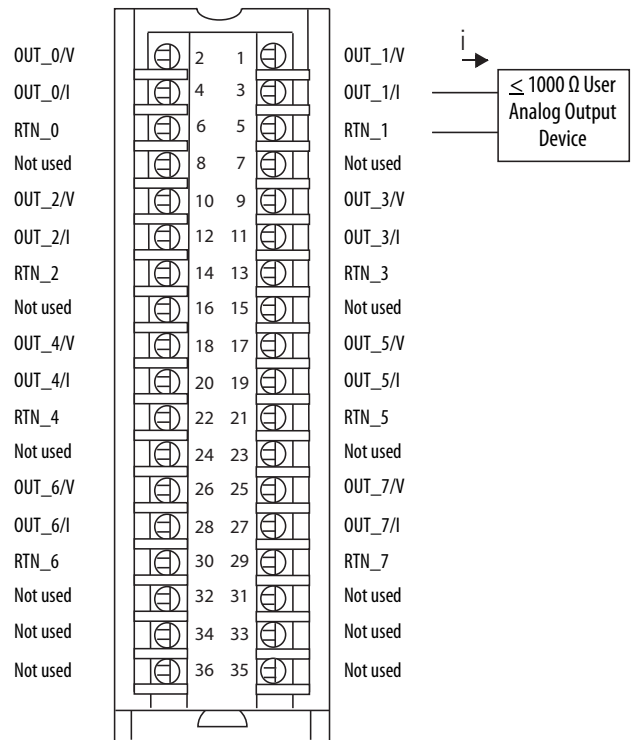
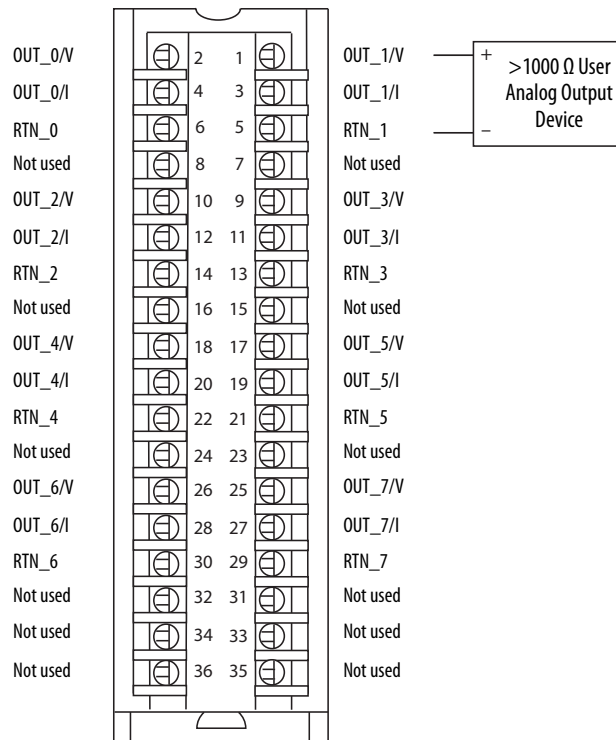


Figure 30 - 1756-OF8I Module Wiring Diagram - Voltage Output Type

**IMPORTANT:** Remember the following:

- If separate power sources are used, do not exceed the specific isolation voltage. For more information on module specifications, see the 1756 ControlLogix I/O Specifications Technical Data, publication [1756-TD002](#).
- Place additional devices anywhere in the loop.



### Drive Different Loads with the 1756-OF8I Module

When the 1756-OF8I module operates with a Current output load, each channel automatically adjusts its output power for 0...1000 ohm loads. The module's 24V backplane current requirements vary based on load.

For more information the module's 24V current requirements, see the 1756 ControlLogix® I/O Specifications Technical Data, publication [1756-TD002](#).



## Fault and Status Reporting

The 1756-OF8I module multicasts fault and status data with channel data to the owner and listening controllers. The data is returned via module tags that you can monitor in your Logix Designer application.

With some exceptions, as noted in the following table, the 1756-OF8I module provides the fault and data status in a channel-centric format.

The following table lists the 1756-OF8I module's fault and status tags available in the Logix Designer application.

**Table 21 - 1756-OF8I Module - Fault and Status Data Tags**

Data Type	Tag Name	Triggering Event That Sets Tag
Fault	Fault <sup>(1)</sup>	The owner-controller loses its connection to the module.
	Ch[x].Fault	The channel data quality is bad.
Status	CIPSyncValid <sup>(1)</sup>	Indicates whether the module is synchronized to a valid CIP Sync time master on the backplane.
	CIPSyncTimeout <sup>(1)</sup>	Indicates whether a valid time master on the backplane has timed out.
	CIPSyncOffsetJump <sup>(1)</sup>	Indicates a significant jump, that is, 1 ms or greater, in the CST and CIP Sync times sent from the Time Master to the module. (The Time Master sends the CST and CIP Sync times to the module every second.) When a significant jump occurs, this tag value becomes 1 but changes to 0 a second later unless another jump occurred.
	Ch[x].Uncertain	The channel data can be imperfect.
	Ch[x].LowClampAlarm	The following events occur: <ul style="list-style-type: none"> <li>Clamping is enabled on this channel.</li> <li>One of the following: <ul style="list-style-type: none"> <li>The channel data requested, indicated in the <i>O:Ch[x].Data</i> tag, is currently less than the configured LowLimit.</li> <li>Latching is enabled and the <i>O:Ch[x].Data</i> tag was less than the configured LowLimit at some points and the alarm has not been unlatched.</li> </ul> </li> </ul>
	Ch[x].HighClampAlarm	The following events occur: <ul style="list-style-type: none"> <li>Clamping is enabled on this channel.</li> <li>One of the following: <ul style="list-style-type: none"> <li>The channel data requested, indicated in the <i>O:Ch[x].Data</i> tag, is currently greater than the configured HighLimit.</li> <li>Latching is enabled and the <i>O:Ch[x].Data</i> tag was greater than the configured HighLimit at some points and the alarm has not been unlatched.</li> </ul> </li> </ul>
	Ch[x].RampAlarm	The channel is currently limited to changing the output at the Maximum Ramp rate or once was and is now latched.
	Ch[x].NotANumber	The most recently-received data value was not a number.
	Ch[x].InHold	The channel is currently holding until the received channel data is within 0.1% of the current channel data value.
	Ch[x].CalibrationFault	The channel is not calibrated or the last attempted calibration for this channel failed.
	Ch[x].Calibrating	The channel is currently being calibrated.
	Ch[x].CalGoodLowRef	A valid Low Reference signal has been sampled on this channel.
	Ch[x].CalBadLowRef	An invalid Low Reference signal has been sampled on this channel.
	Ch[x].CalGoodHighRef	An valid High Reference signal has been sampled on this channel.
	Ch[x].CalBadHighRef	An invalid High Reference signal has been sampled on this channel.
	Ch[x].CalSuccessful	Calibration on this channel is complete and the calibrating state has been exited.
Ch[x].Data	The channel data in scaled Engineering Units. This data is the Output Data Echo data returned from the D/A convertor.	
Timestamp <sup>(1)</sup>	A 64-bit Timestamp indicating when any one of the output channels was last updated with new output data in terms of CIP Sync time.	
RollingTimestamp	16-bit timestamp that 'rolls' from 0...32,767 ms. Compatible with existing PID instruction to automatically calculate sample deltas. The timestamp changes when any one of the output channels is updated.	

(1) This tag provides module-wide data and affects all channels simultaneously.

## Redundant Owners

Redundant ownership lets a single controller use redundant adapters to communicate with a single output or lets two separate controllers coordinate to control the output.

### Configure 1756-OF8I Redundant Owners

To enable Redundant Ownership mode in the output module, each connection to the output module is via a redundant owner module definition. In the module definition, you select between Redundant Output Owner A and Redundant Output Owner B. Each pair of connections must have an A and a B requested—that is, if the first is A, the second must be B.

If the second connection does not pair with the original connection, it is rejected with a general status = 0x01 and extended status = 0x031D. All other aspects of configuration between the two connections must be identical.

After the connection is established, a redundant owner uses the Claim Owner Output (COO) tag to indicate that it is ready for ownership of the outputs. The Ready Owner Output (ROO) tag indicates that an owner is ready to take ownership if needed. The ROO is implemented as a single bit, OwnerReady, as this implementation is intended for only two controllers.

When the OwnerClaim bit is set, it indicates that the controller wants to claim ownership of the redundant connection and have its outputs actively used. If both redundant owners have COO set, the last originator application that transitioned its COO flag from cleared to set is the owner.

**TIP** Only a received 0-to-1 transition, and not simply the receipt of a new connection, is considered such a transition for ownership.

If neither redundant owner has OwnerClaim set, then the controller that has the OwnerReady bit set becomes the owner. If neither controller has OwnerClaim set and both have OwnerReady set, owner A becomes the owner. If both controllers have OwnerClaim=0 and OwnerReady=0, then the outputs go to IDLE (Program mode).

Finally, the Input data adds status fields that indicate if the output module has an active owner (OwnerActive) and for which controller, A or B (OwnerID). For each of owner A and B, three status fields indicate if the controller is connected (OwnerAConnected/OwnerBConnected) and echo the output values received for each owner via OwnerAClaim/OwnerBClaim and OwnerAReady/OwnerBReady, respectively.

### *Requirements*

You must use output modules that support Redundant Owner connections:

- 1756-OF8I output module
- All Allen-Bradley® 1756 input modules that support multiple module owners

Redundant owner supports these ControlLogix 1756 Ethernet modules:

- 1756-EN2T
- 1756-EN2TR
- 1756-EN2F

### **About Redundant Owners**

Redundant Owner can work in single-controller and multiple-controller applications, with or without redundancy.

Your application determines which controller is the Claiming Owner and which is the Ready Owner. The relationship is akin to a primary and secondary relationship.

### *Restrictions*

The redundant owner solution uses two connections for every I/O module—one for each of the redundant connections. Each connection is shown in the Studio 5000 Logix Designer® I/O Configuration—two entries for each I/O module.

- The two I/O module configurations must match.
- Two connections are used for each I/O module.
- An output module's ideal RPI is 25 ms.

This speed is for the fastest response to an event. Any output module RPI can be used, but may have increased response time to a fault.

- An input module's ideal RPI is 25 ms, though any input module RPI can be used.
- Direct I/O connections must be used.

Also see [Redundant Owner Configuration Tags on page 211](#).

### Single Controller Behavior

A single controller case is the simpler one as both connections are owned by the same controller. Thus there is never a case where one connection is in Run mode and the other connection is in Program mode, so no need to worry about synchronizing.

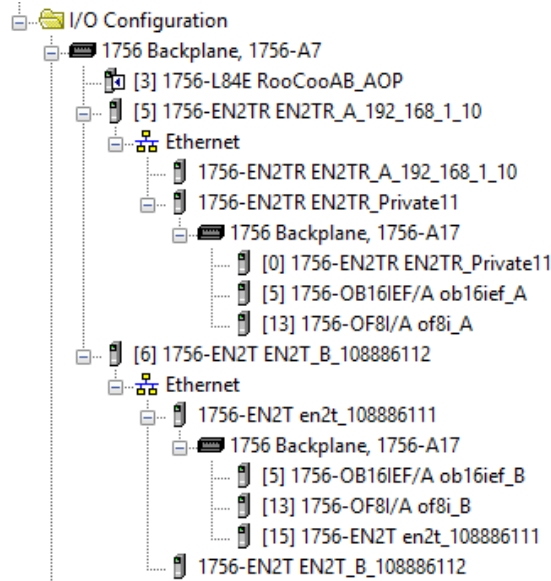
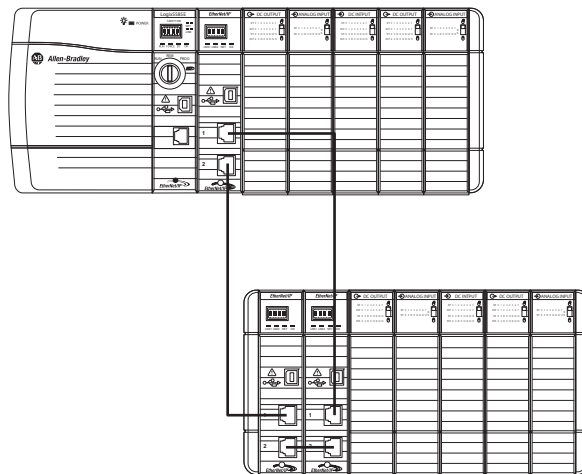


Figure 31 - Single Controller



32763-M

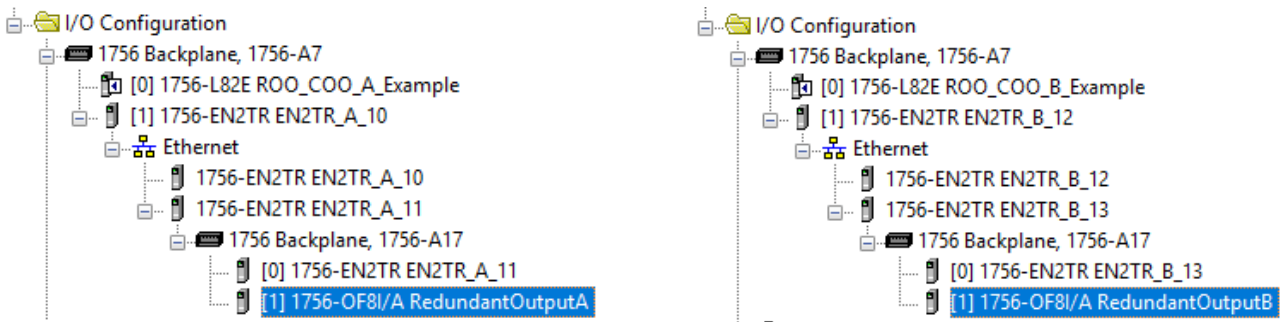
1. Initialize I/O tags.
2. Set Claim in one connection.
3. Set Ready in the other connection.
4. Monitor which connection is the owner and update tags accordingly (Non Owner before Owner to make sure that they're always in sync).

That single controller behavior should result in the following:

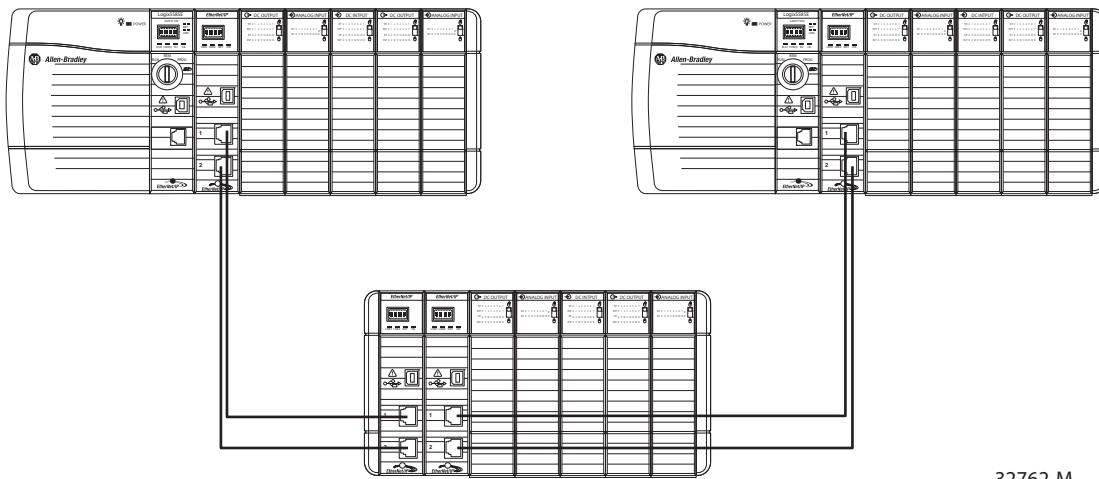
1. Output is not owned until the Claim connection is made.
2. Any disruption in the Claim connection causes the I/O module to switch to the Ready path.
3. When the Claim connection recovers from the disruption, the I/O module switches back to Claim.

*Multiple Controller Behavior*

For multiple controllers, the applications synchronize the behavior between the controllers. Note Ethernet modules A and B, and RedundantOutputA and RedundantOutputB.



**Figure 32 - Multiple Controller**



32762-M

**IMPORTANT** If you use ControlLogix Redundancy as the multiple controller system, then you do not have to manage the dual controllers. If you use any other method, then you must manage the primary and secondary controllers yourself. This application does not manage the controllers, just the I/O.

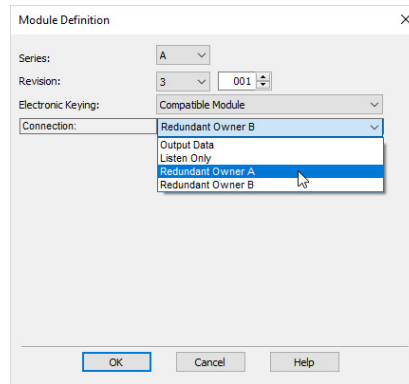
You can use Produced/Consumed tags for synchronization; however, the Redundant Owner Input tags provide the majority of information needed for synchronization.

- After both controllers decide it is safe, the primary controller sets Claim.
- After the secondary controller sees that the primary controller has taken ownership, the secondary controller sets Ready.
- The secondary controller monitors the I/O and the other controller to determine the current owner.
- If the secondary controller becomes the owner, it can set its Claim bit to take or hold ownership, or can just maintain Ready.
- Once the primary controller comes back and is in Run mode, that controller toggles its Claim bit, and the I/O switches back to that controller.
  - A “S:FS” XIC should be used to disable Claim/Ready bits until the controller has entered Run mode and can evaluate if it should make a Claim or Ready transition.
  - Failure to do this could lead to a ‘claim’ happening before the controller is back in Run mode. Thus, the output would transition briefly to its Program Mode Safe State prior to entering Run mode rather than making a smooth transition from secondary controller back to primary controller.
- When the secondary controller sees that the primary controller has retaken ownership, it clears its Claim bit and goes back to Ready.
- Monitor for Connection Loss on controller. Add GSV to monitor connection status and clear Claim and Ready flags on Connection Loss to prevent undesired behavior when connection is restored.
- Monitor for Major Fault on controller. Optionally, add Fault Routine to clear Claim and Ready owner flags if Major Fault is not to be cleared in faulted controller to allow secondary controller to take immediate control.

## Configure the Output Module

In a redundant owner application, configure one output module as Redundant Owner A and the second as Redundant Owner B. In our example project, Redundant Owner A is the module connected to Ethernet A, and Redundant Owner B is the module connected to Ethernet B.

1. In the Module Definition dialog box, in the Connection field, choose Redundant Owner A.



2. To configure the second output module as Redundant Owner B, repeat steps 1, choosing Redundant Owner B.

The module definition is shown in the Module Properties dialog box.

Follow these steps to implement Redundant Ethernet modules in your project.

1. Add the additional I/O configuration to your project for the second Ethernet module.

In the example project this is EN2T\_B.

**TIP** To simplify testing you may want to create a project just for the redundant Ethernet modules and test that project before adding in your application code.

We recommend following the module naming examples used in the example project.

- Ethernet module in Slot 0: EN2T\_A\_<your name for the chassis>
- Ethernet module in Slot 1: EN2T\_B\_<your name for the chassis>
- Reference the example application for more naming examples

2. Add in the task for I/O\_Mapping\_25ms.
3. Set the periodic rate of this task to 25 ms or a multiple of the fastest output module RPI.
4. Import the example Program into the I/O\_Mapping\_25ms task.
5. Modify the imported routines for each chassis that you have in your system.

In the example project the routines are called R001, R002, and so on. One chassis per routine.

6. Add an I/O module to the chassis routines.
7. Insert an Add-On Instruction for each digital input module you have in the chassis.
8. If the digital input module is only 16 channels, set the I16\_Ch tag to 1 (true).

This will limit input processing to the first 16 Booleans and reduce controller scan time.

If you have a digital module that is not compatible with any of the Add-On Instructions from the example project, you can use the Redundant\_Digital\_Input Add-On Instruction to map each channel individually. You can also create your own Add-On Instruction for the module.

9. Add the default value for each channel to the Add-On Instruction.

The default value is the value the input will be set to when communication through both Ethernet modules to the input module is faulted.

10. Insert a rung with two CPS (Synchronous Copy File) instructions for each Digital Output module that you have in the chassis.

In the example project, the rung number was equal to the slot number of the module being referenced. We used rungs with only a NOP (No Operation) instruction to hold the rung number for slots without an analog module.

11. In each routine add rungs for the analog modules that you have.

Most analog modules have their own Add-On Instructions.

Be aware of the channel count of the AOI and module.

- If the analog module is in Differential mode, the channel count is cut in half.
- If you have an analog module that is not compatible with any of the Add-On Instructions from the example project, you can use the Redundant\_Analog\_Input Add-On Instruction to map each channel individually. You can also create your own Add-On Instruction for the module.
- In the example project the rung number was equal to the slot number of the module being referenced. We used rungs with only a NOP (No Operation) instruction to hold the rung number for slots without an analog module.

12. Keep the Add-On Instruction at Hold Last State or set Hold Last State to 0 (zero) to use the default value.

13. Add the default value for each channel to the Add-On Instruction.

The default value is the value the input will be set to when communication through both Ethernet modules to the input module is faulted.



## Response Times for Output Modules

Response time to a change in ownership is from the time the event takes place until the time that the output modules uses the connection data from the redundant connection.

Digital output response to a change in ownership in less than 250 ms. The average time is 220 ms. A faster RPI does not increase the response time. We recommend a digital output RPI of 25 ms.

These recommendations are for response performance:

- Faster RPIs have a longer response time.
- Slower RPIs can have a much longer response time.
- RPIs should be  $4 \times \text{RPI} = 200 \text{ ms}$ ,  $8 \times \text{RPI} = 200 \text{ ms}$ , or  $16 \times \text{RPI} = 200 \text{ ms}$ , so 25 is the recommended RPI.
- If the prior RPI criterion is not met, the CIP connection timeout delay minimum will be  $200 \text{ ms} + 1 \text{ RPI}$ . If the  $4/8/16 \times \text{RPI}$  does not equal 200 ms (or 100 ms), then the response will be longer.
- For non-redundant ControlLogix applications, the CIP connection timeout delay minimum is 100 ms.
- Slower RPIs greatly limit the effect of the response time on the application.

---

**IMPORTANT** This information pertains only to output modules.  
Use existing guidelines for setting input module RPIs.

---

## Input Modules

**TIP** Only a received 0-to-1 transition, and not simply the receipt of a new connection, is considered such a transition for ownership.

Many ControlLogix® 1756 input modules support multiple owners.

[Table 22](#) lists bulletin number 1756 input modules that **do not** support multiple module owners.

---

**IMPORTANT** You must use input modules that support multiple owners.

---

**Table 22 - Input modules that do not support multiple owners**

Catalog Number	Module Type	Replacement Module
1756-IRT2	Analog Input, 12-channel RTD	Must replace with a 1756-ITR8I and use in 1756-IR6I compatibility mode. You will lose 6 channels. Your inputs will be isolated.
1756-IT16	Analog Input, 16-channel non-isolated thermocouple/mV	Replace with 1756-IRT8I and use in 1756-IT6I or 1756-IT6I2 compatibility mode.
1756-IRT8I	Analog Input, 8-channel thermocouple or RTD isolated	Must be used in 1756-IR6I or 1756-IT6I compatibility mode. You will lose 2 channels and all of the new features of the 1756-IRT8I module. Use the 1756-ITR8I module in remote I/O chassis and 1756-IR6I or 1756-IT6I module in Logix Designer I/O configuration.
1756-IF8I	Analog Input, 8-channel current or voltage isolated	Must be used in 1756-IF6I compatibility mode. You will lose 2 channels and all of the new features of the 1756-IF8I module. Use the 1756-IF8I in remote I/O chassis and 1756-IF6I in Logix Designer I/O Configuration.
1756-IB16ISOE	Sequence of Events Digital Input	—
1756-IF16IH	16 isolated differential inputs, 1 HART modem per channel	Use 1756-IF16H.
1756-IF8IH	8 isolated differential inputs, 1 HART modem per channel	Use 1756-IF8H. Both are non-isolated. You can use differential mode input wiring for isolation.
1756-IF4FXOF2F	High-speed input/output analog module	—

## Troubleshooting

**Issue:** I/O Module Connection Error **or** I/O Module Configuration Error (yellow triangle in Logix Designer I/O configuration)

1. Verify that both entries in the Logix Designer I/O Configuration have the same **RPI**.
2. Verify that both entries in the Logix Designer I/O Configuration have the same **configuration**.

You can toggle the Sync\_Module\_Config BOOL tag in the IO\_Mapping Program MainRoutine Rung 1. This will trigger a copy of the module A configuration to the module B configuration, making them the same.

---

**IMPORTANT** This copy will not change the module RPI.  
The two I/O module entries must have the same configuration.

---

3. Remove the module from the chassis.
4. Reinsert the module.
5. If you still have the error, delete one of the module entries in the Logix Designer I/O Configuration and add it into your project again.

These troubleshooting steps **below** assume that the system was commissioned and running without any errors before the issue occurred.

**Issue:** Output is ON in the user application code, but is not ON at the Output module.

1. Verify that at least one of the connections to the output module is active.
2. Verify that the output is ON in the output module tags.
3. Confirm whether all of the connections in the chassis are faulted, including the Ethernet modules.
4. Troubleshoot the Ethernet communication issue to the Ethernet modules.
5. Troubleshoot the error code displayed in Module Properties > Connection tab.

In the example project, this is EN2T\_B.

**Issue:** Incorrect output behavior on response

1. Verify that only one of the connections to the Output module has the .OwnerClaim output set to true (1).
2. Verify that only one of the connections to the Output module has the .OwnerReady output set to true (1).

Name	Value	Style	Data Type
ENET_A_R002:2:0.OwnerClaim	1	Decimal	BOOL
ENET_A_R002:2:0.OwnerReady	0	Decimal	BOOL

Name	Value	Style	Data Type
ENET_B_R002:2:0.OwnerClaim	0	Decimal	BOOL
ENET_B_R002:2:0.OwnerReady	1	Decimal	BOOL

For all of the issues described in this section, you can consult product manuals, Rockwell Automation® KnowledgeBase, and Rockwell Automation Technical Support.

## Install ControlLogix Analog I/O Modules

Topic	Page
Install the I/O Module	111
Key the Removable Terminal Block	113
Connect Wiring	114
Assemble the RTB and the Housing	119
Choose Extended-depth Housing	120
Install the Removable Terminal Block	122
Remove the Removable Terminal Block	123
Remove the Module from the Chassis	124

This chapter assumes that you have already installed a 1756 ControlLogix® chassis and power supply. If not, do so before proceeding.



### ATTENTION: Environment and Enclosure

This equipment is intended for use in a Pollution Degree 2 industrial environment, in overvoltage Category II applications (as defined in EN 60664-1), at altitudes up to 2000 m (6562 ft) without derating.



This equipment is not intended for use in residential environments and may not provide adequate protection to radio communication services in such environments.

This equipment is supplied as open-type equipment. It must be mounted within an enclosure that is suitably designed for those specific environmental conditions that will be present and appropriately designed to prevent personal injury resulting from accessibility to live parts. The enclosure must have suitable flame-retardant properties to prevent or minimize the spread of flame, complying with a flame spread rating of 5VA or be approved for the application if nonmetallic. The interior of the enclosure must be accessible only by the use of a tool. Subsequent sections of this publication may contain additional information regarding specific enclosure type ratings that are required to comply with certain product safety certifications.

In addition to this publication, see the following:

- Industrial Automation Wiring and Grounding Guidelines, publication [1770-4.1](#), for additional installation requirements
- NEMA 250 and EN 60529, as applicable, for explanations of the degrees of protection provided by different types of enclosure

### North American Hazardous Location Approval

The following information applies when operating this equipment in hazardous locations.	Informations sur l'utilisation de cet équipement en environnements dangereux.
<p>Products marked "CL I, DIV 2, GP A, B, C, D" are suitable for use in Class I Division 2 Groups A, B, C, D, Hazardous Locations and nonhazardous locations only. Each product is supplied with markings on the rating nameplate indicating the hazardous location temperature code. When combining products within a system, the most adverse temperature code (lowest "T" number) may be used to help determine the overall temperature code of the system. Combinations of equipment in your system are subject to investigation by the local Authority Having Jurisdiction at the time of installation.</p>	<p>Les produits marqués "CL I, DIV 2, GP A, B, C, D" ne conviennent qu'à une utilisation en environnements de Classe I Division 2 Groupes A, B, C, D dangereux et non dangereux. Chaque produit est livré avec des marquages sur sa plaque d'identification qui indiquent le code de température pour les environnements dangereux. Lorsque plusieurs produits sont combinés dans un système, le code de température le plus défavorable (code de température le plus faible) peut être utilisé pour déterminer le code de température global du système. Les combinaisons d'équipements dans le système sont sujettes à inspection par les autorités locales qualifiées au moment de l'installation.</p>
<div style="display: flex; align-items: center;">  <div> <p><b>WARNING: EXPLOSION HAZARD</b></p> <ul style="list-style-type: none"> <li>• Do not disconnect equipment unless power has been removed or the area is known to be nonhazardous.</li> <li>• Do not disconnect connections to this equipment unless power has been removed or the area is known to be nonhazardous. Secure any external connections that mate to this equipment by using screws, sliding latches, threaded connectors, or other means provided with this product.</li> <li>• Substitution of components may impair suitability for Class I, Division 2.</li> <li>• If this product contains batteries, they must only be changed in an area known to be nonhazardous.</li> </ul> </div> </div>	<div style="display: flex; align-items: center;">  <div> <p><b>AVERTISSEMENT: RISQUE D'EXPLOSION</b></p> <ul style="list-style-type: none"> <li>• Couper le courant ou s'assurer que l'environnement est classé non dangereux avant de débrancher l'équipement.</li> <li>• Couper le courant ou s'assurer que l'environnement est classé non dangereux avant de débrancher les connecteurs. Fixer tous les connecteurs externes reliés à cet équipement à l'aide de vis, loquets coulissants, connecteurs filetés ou autres moyens fournis avec ce produit.</li> <li>• La substitution de composants peut rendre cet équipement inadapté à une utilisation en environnement de Classe I, Division 2.</li> <li>• S'assurer que l'environnement est classé non dangereux avant de changer les piles.</li> </ul> </div> </div>

### European Hazardous Location Approval

**The following applies when the product bears the Ex Marking.**

This equipment is intended for use in potentially explosive atmospheres as defined by European Union Directive 94/9/EC and has been found to comply with the Essential Health and Safety Requirements relating to the design and construction of Category 3 equipment intended for use in Zone 2 potentially explosive atmospheres, given in Annex II to this Directive. Compliance with the Essential Health and Safety Requirements has been assured by compliance with EN 60079-15 and EN 60079-0.

**WARNING:**

- This equipment shall be mounted in an ATEX-certified enclosure with a minimum ingress protection rating of at least IP54 (as defined in IEC60529) and used in an environment of not more than Pollution Degree 2 (as defined in IEC 60664-1) when applied in Zone 2 environments. The enclosure must have a tool-removable cover or door.
  - This equipment shall be used within its specified ratings defined by Rockwell Automation.
  - Provision shall be made to prevent the rated voltage from being exceeded by transient disturbances of more than 140% of the rated voltage when applied in Zone 2 environments.
  - This equipment must be used only with ATEX certified Rockwell Automation backplanes.
  - Secure any external connections that mate to this equipment by using screws, sliding latches, threaded connectors, or other means provided with this product.
  - Do not disconnect equipment unless power has been removed or the area is known to be nonhazardous.
- 

## Install the I/O Module

You can install or remove a module while chassis power is applied. Removal and Insertion Under Power (RIUP) provides the flexibility to maintain modules without having to stop production.

---



**WARNING:** When you insert or remove the module while backplane power is on, an electrical arc can occur. This could cause an explosion in hazardous location installations.

Be sure that power is removed or the area is nonhazardous before proceeding. Repeated electrical arcing causes excessive wear to contacts on both module and its mating connector. Worn contacts may create electrical resistance that can affect module operation.

---



**ATTENTION:** The module is designed to support Removal and Insertion Under Power (RIUP). However, when you remove or insert an RTB with field-side power applied, unintended machine motion or loss of process control can occur. Exercise extreme caution when using this feature.

---



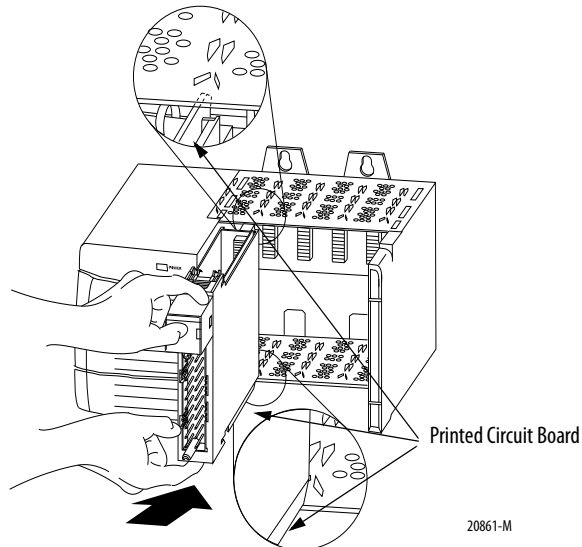
**ATTENTION: Prevent Electrostatic Discharge**

This equipment is sensitive to electrostatic discharge, which can cause internal damage and affect normal operation. Follow these guidelines when you handle this equipment:

- Touch a grounded object to discharge potential static.
- Wear an approved grounding wriststrap.
- Do not touch connectors or pins on component boards.
- Do not touch circuit components inside the equipment.
- Use a static-safe workstation, if available.
- Store the equipment in appropriate static-safe packaging when not in use.

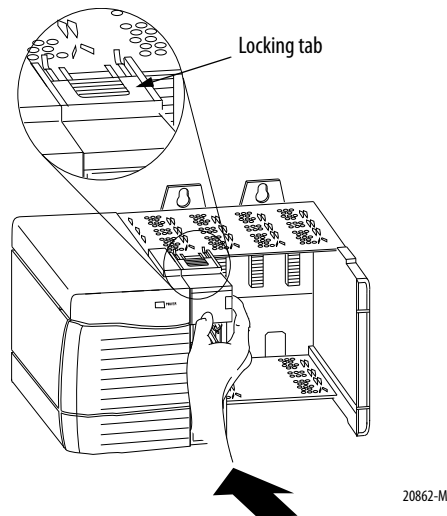
Complete these steps to install an I/O module.

1. Align the circuit board with the top and bottom chassis guides.





- Slide the module into the chassis until the module locking tab clicks.



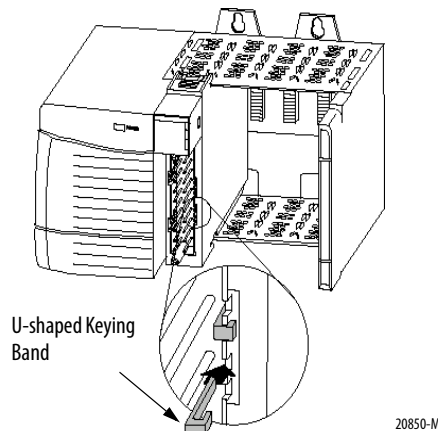
## Key the Removable Terminal Block

Key the removable terminal block (RTB) to prevent inadvertently connecting the wrong wiring in the RTB to your module. Wedge- and U-shaped bands are manually inserted into the RTB and module. This process hinders a wired RTB from being accidentally inserted into a module that does not match the positioning of the respective tabs.

Key positions on the module that correspond to unkeyed positions on the RTB. For example, if you place a U-shaped keying band in slot 4 on the module, you cannot place a wedge-shaped tab in slot 4 on the RTB or your RTB does not mount on the module. We recommend that you use a unique keying pattern for each slot in the chassis.

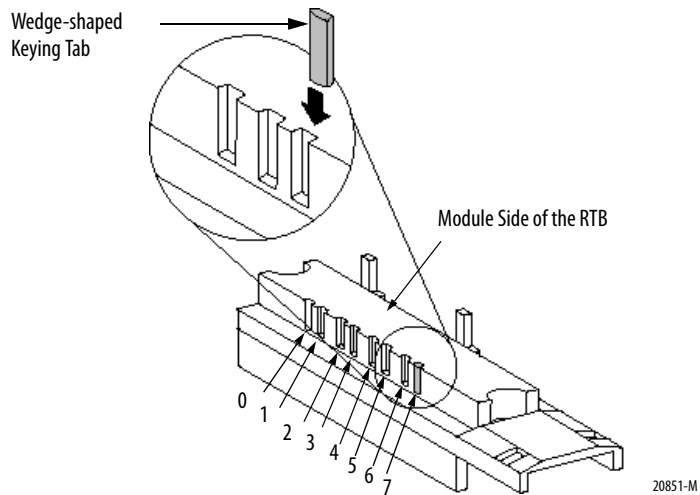
Complete the following steps to key the RTB.

- Insert the U-shaped band with the long side near the terminals.
- Push the band onto the module until it snaps into place.



- Key the RTB in positions that correspond to unkeyed module positions.

4. Insert the wedge-shaped tab on the RTB with the rounded edge first.



5. Push the tab onto the RTB until it stops.

## Connect Wiring

Connect wiring to the module with an RTB or a Bulletin 1492 pre-wired Analog Interface Module (AIFM). This section describes how to wire the module with an RTB. If you are using an AIFM to connect wiring, see the documentation for that product.

### IMPORTANT

We recommend that you use Belden 8761 cable when wiring the RTB for the following ControlLogix analog modules:

- 1756-IF8I
- 1756-OF8I
- 1756-IRT8I on points that use the Thermocouple functionality

We recommend that you use Belden 9533 or 83503 cable with the 1756-IRT8I module on points that use the RTD functionality.



**WARNING:** If you connect or disconnect wiring while the field-side power is on, an electrical arc can occur. This could cause an explosion in hazardous location installations. Be sure that power is removed or the area is nonhazardous before proceeding.



**ATTENTION:** If multiple power sources are used, do not exceed the specified isolation voltage.



**ATTENTION:** The ControlLogix system has been agency certified using only the ControlLogix RTBs (catalog numbers 1756-TBCH, 1756-TBNH, 1756-TBSH and 1756-TBS6H). Any application that requires agency certification of the ControlLogix system using other wiring termination methods may require application specific approval by the certifying agency.

## Connect the Grounded End of the Cable

Before wiring the RTB, you must connect the ground wiring.

**IMPORTANT** We recommend that you ground the following ControlLogix analog module shield and drain wires at the field-side:

- 1756-OF8I
- 1756-IRT8I
- 1756-IF8I on points that use the non-sourcing current/voltage functionality
- 1756-IR12
- 1756-IT16

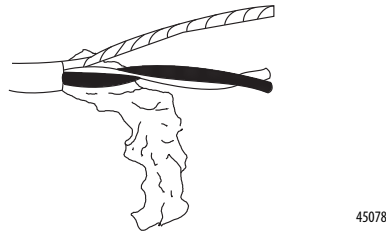
If you cannot ground the module shield and drain wires at field-side, ground them at an earth ground on the chassis.

We recommend that you always **ground the 1756-IF8I module at an earth ground on the chassis** when you use the module's **current sourcing functionality**.

1. Remove a length of cable jacket from the Belden cable.



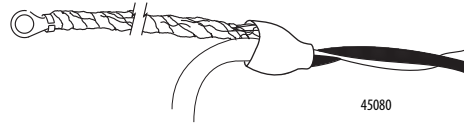
2. Pull the foil shield and bare drain wire from the insulated wire.



3. Twist the foil shield and drain wire together to form a single strand.

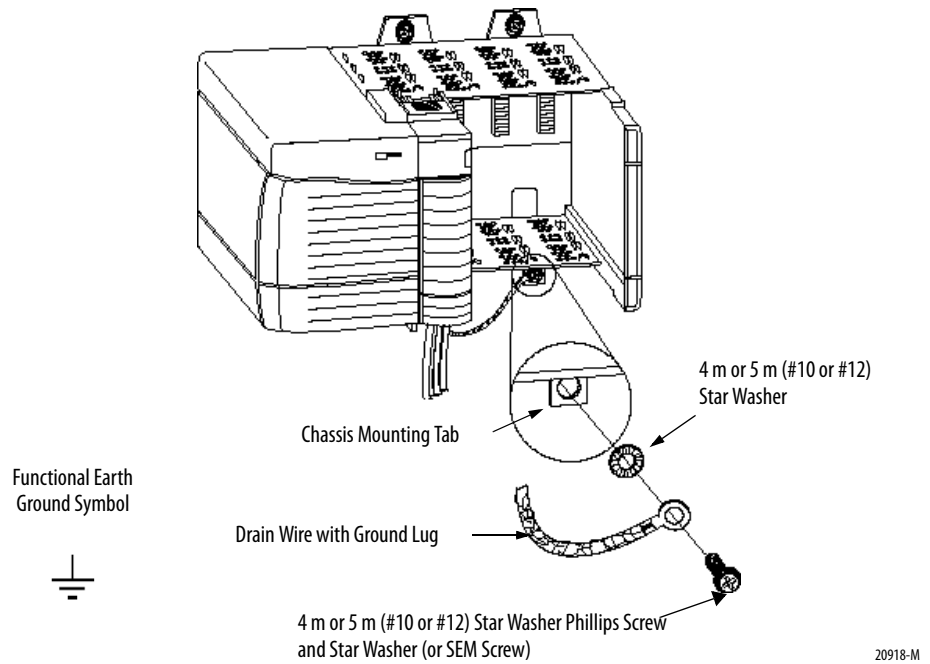


4. Attach a ground lug and apply heat shrink tubing to the exit area.



5. Connect the drain wire to a chassis mounting tab.

Use any chassis mounting tab that is designated as a functional signal ground. The functional earth ground symbol appears near the tab.



6. When the drain wire is grounded, connect the insulated wires to the field-side.

### Connect the Ungrounded End of the Cable

1. Cut the foil shield and drain wire back to the cable casing and apply shrink wrap.
2. Connect the insulated wires to the RTB.

## RTB Types

Each RTB comes with housing. The following RTB types work with ControlLogix analog I/O modules:

- [Cage Clamp RTB - Catalog Number 1756-TBCH](#)
- [Spring Clamp RTB - Catalog Number 1756-TBS6H](#)



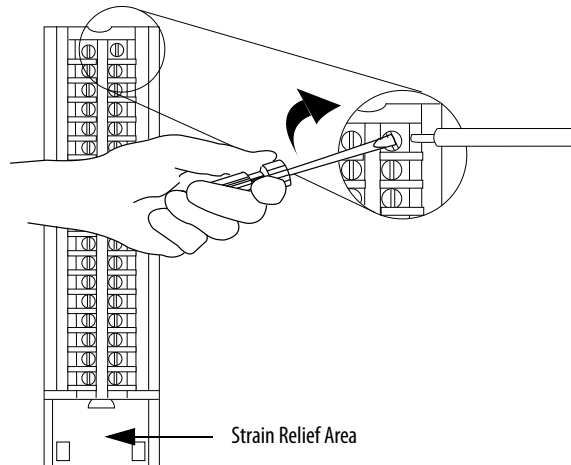
**ATTENTION:** Consider the following when using the 1756-TBCH RTB:

- Do not wire more than two 0.33...1.3 mm<sup>2</sup> (22...16 AWG) conductors on any single terminal.
- You can connect only one 2.1 mm<sup>2</sup> (14 AWG) conductor to any single terminal.
- Use only the same size wires with no intermixing of solid and stranded wire types.

When using the 1756-TBS6H RTB, do not wire more than one conductor on any single terminal.

### *Cage Clamp RTB - Catalog Number 1756-TBCH*

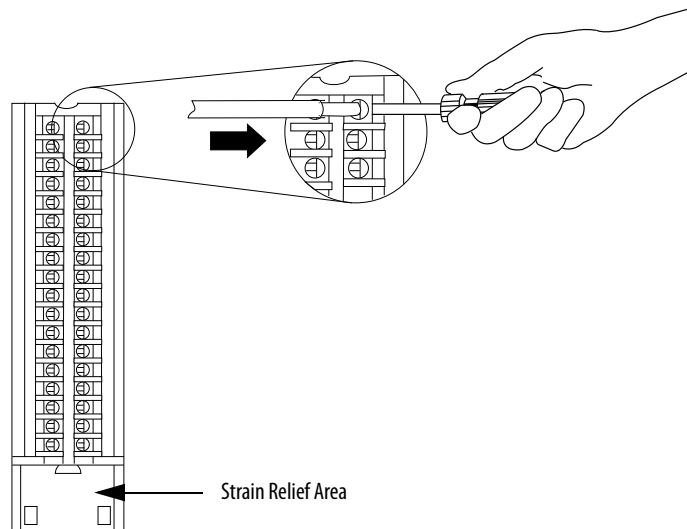
1. Strip 9.5 mm (3.8 in.) maximum length of wire.
2. Insert the wire into the open terminal on the side.
3. Turn the screw clockwise to close the terminal on the wire.



The open section at the bottom of the RTB is called the strain relief area. The wiring from the connections can be grouped with a plastic tie.

### Spring Clamp RTB - Catalog Number 1756-TBS6H

1. Strip 11 mm (7/16 in.) maximum length of wire.
2. Insert the screwdriver into the outer hole of the RTB to depress the spring-loaded clamp.
3. Insert the wire into the open terminal and remove the screwdriver.
4. Insert the wire into the open terminal and remove the screwdriver.




---

**IMPORTANT** Make sure the wire, and not the screwdriver, is inserted into the open terminal to prevent damage to the module.

---

The open section at the bottom of the RTB is called the strain relief area. The wiring from the connections can be grouped with a plastic tie.

### RTB Wiring Recommendations

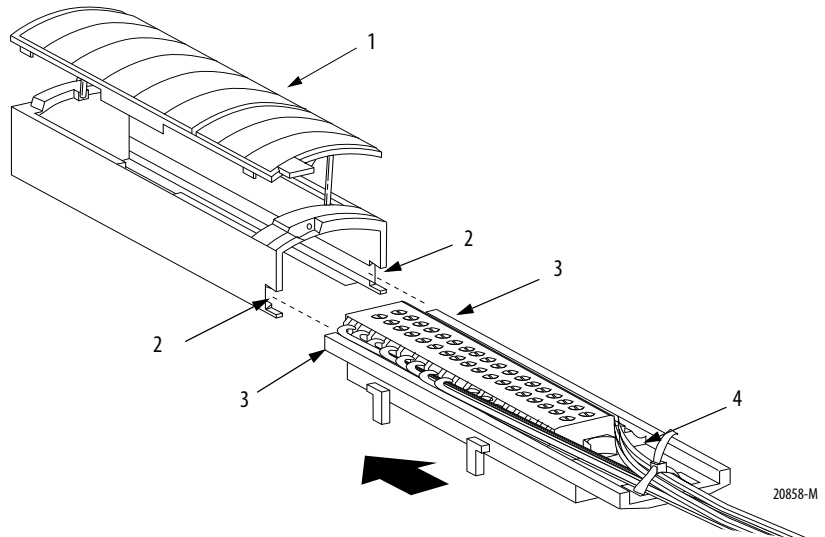
Consider these guidelines when wiring your RTB.

- Begin wiring the RTB at the bottom terminals and move up.
- Use a tie to secure the wires in the strain relief (bottom) area of the RTB.
- For applications that require heavy gauge wiring, order and use an extended-depth housing, catalog number 1756-TBE. For more information, see [page 120](#).

## Assemble the RTB and the Housing

Removable housing covers the wired RTB to protect wiring connections when the RTB is seated on the module.

1. Align the grooves at the bottom of each side of the housing with the side edges of the RTB.
2. Slide the RTB into the housing until it snaps into place.



Item	Description
1	Housing cover
2	Groove
3	Side edge of RTB
4	Strain relief area

### IMPORTANT

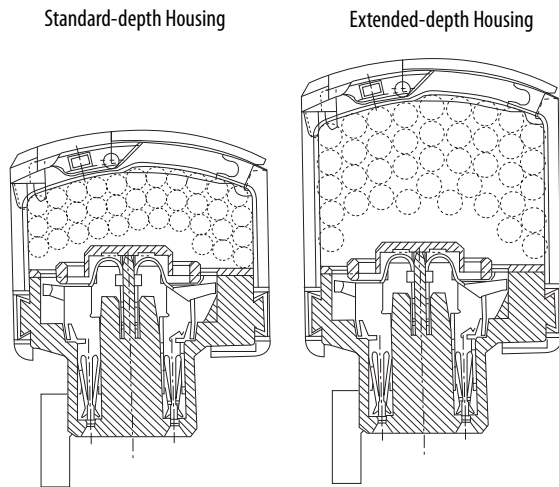
If additional wire routing space is required for your application, use the extended-depth housing, catalog number 1756-TBE.

## Choose Extended-depth Housing

There are two housing options available when wiring your ControlLogix analog I/O module:

- Standard-depth housing
- Extended-depth housing

When you order an RTB for your I/O module, you receive standard-depth housing. If your application uses heavy gauge wiring, you can order extended-depth housing. Extended-depth housing does not come with an RTB.



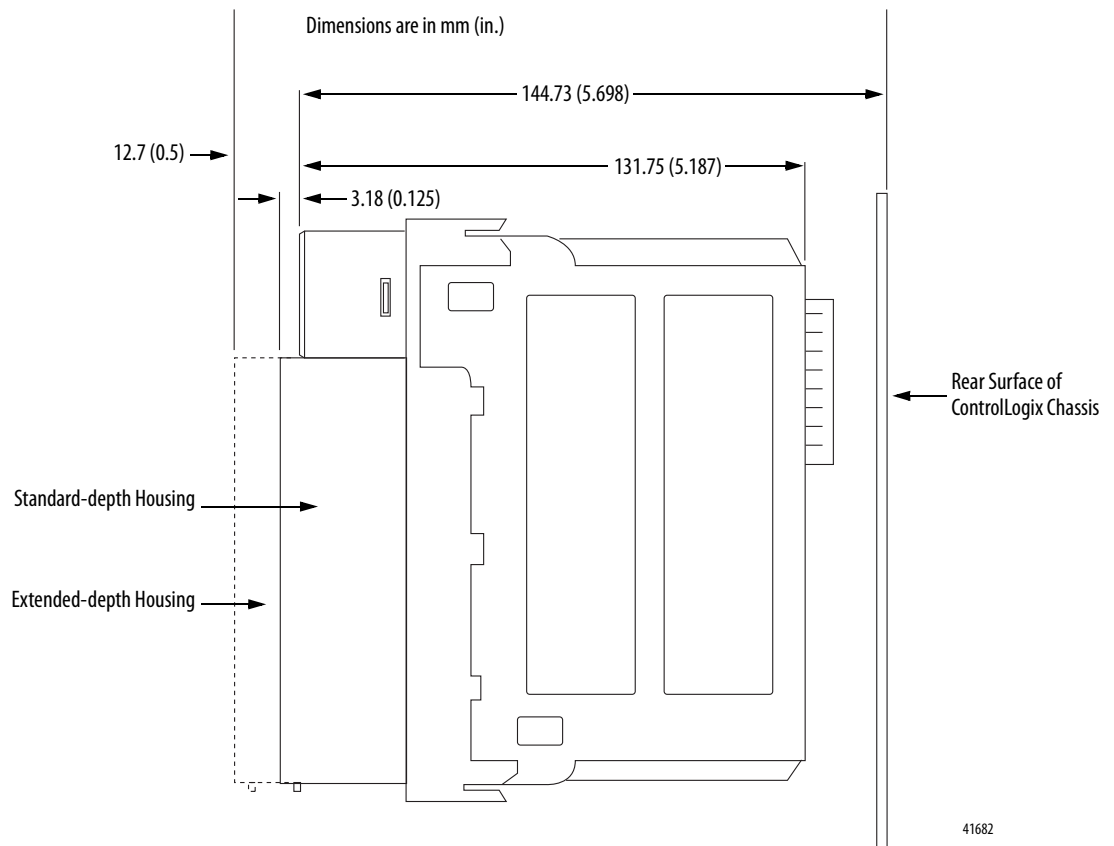
**IMPORTANT** The housings shown are used with a spring clamp RTB, but the capacity for each remains the same regardless of RTB type.

Cat. No.	RTB Type	Wire Capacity	Number of Wires
1756-TBCH	Cage clamp	Standard-depth 336 mm <sup>2</sup> (0.52 in. <sup>2</sup> )	36 - 18 AWG wires
1756-TBS6H	Spring clamp		23 - 14 AWG wires
1756-TBE	Any RTB that uses heavy gauge wiring	Extended-depth 628 mm <sup>2</sup> (0.97 in. <sup>2</sup> )	40 - 14 AWG wires



## Cabinet Size Considerations with Extended-depth Housing

When you use extended-depth housing, catalog number 1756-TBE, the I/O module depth is increased. The diagram shows the difference in depth between an I/O module using standard-depth housing and one using extended-depth housing.



**IMPORTANT** The depth from the front of the module to the back of the chassis is as follows:

- Standard-depth housing = 147.91 mm (5.823 in.)
- Extended-depth housing = 157.43 mm (6.198 in.)

## Install the Removable Terminal Block

These steps show how to install the RTB onto the module to connect the wiring.



**WARNING:** When you connect or disconnect the removable terminal block (RTB) with field-side power applied, an electrical arc can occur. This could cause an explosion in hazardous location installations.

Be sure that power is removed or the area is nonhazardous before proceeding.



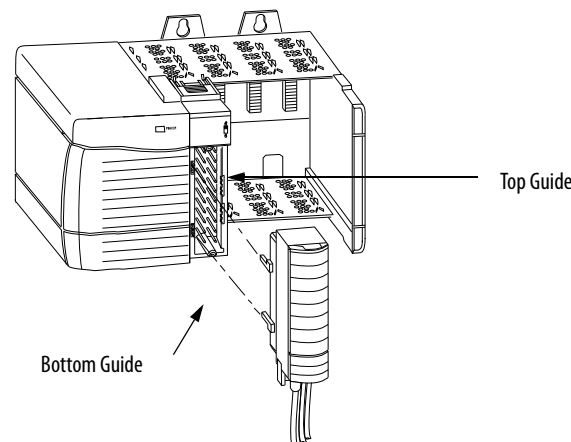
**ATTENTION: Shock hazard exists.** If the RTB is installed onto the module while the field-side power is applied, the RTB will be electrically live. Do not touch the RTB's terminals. Failure to observe this caution may cause personal injury.

The RTB is designed to support Removal and Insertion Under Power (RIUP). However, when you remove or insert an RTB with field-side power applied, unintended machine motion or loss of process control can occur. Exercise extreme caution when using this feature. We recommend that field-side power be removed before installing the RTB onto the module.

Before installing the RTB, verify the following:

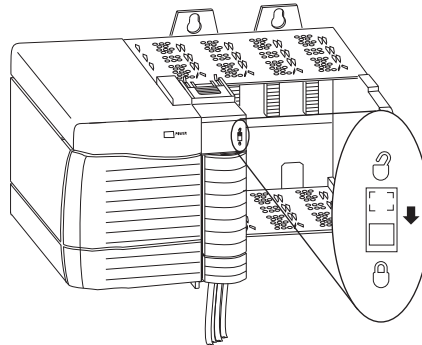
- Field-side wiring of the RTB is complete.
- The RTB housing is snapped into place.
- The RTB housing door is closed.
- The locking tab at the top of the module is unlocked.

1. Align the top, bottom, and left side guides of the RTB with the guides on the module.



20853-M

2. Press quickly and evenly to seat the RTB on the module until the latches snap into place.
3. Slide the locking tab down to lock the RTB onto the module.



20854-M

## Remove the Removable Terminal Block

If you need to remove the module from the chassis, you must first remove the RTB from the module.



**WARNING:** When you insert or remove the module while backplane power is on, an electrical arc can occur. This could cause an explosion in hazardous location installations.

Be sure that power is removed or the area is nonhazardous before proceeding. Repeated electrical arcing causes excessive wear to contacts on both module and its mating connector. Worn contacts can create electrical resistance that can affect module operation.

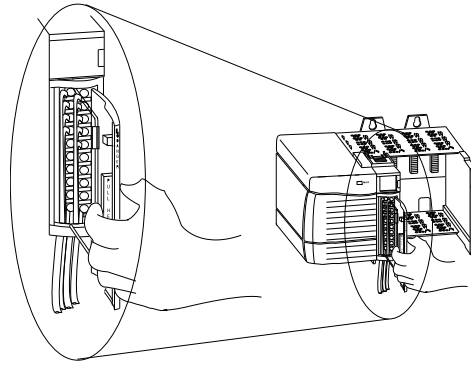


**ATTENTION: Shock hazard exists.** If the RTB is removed from the module while the field-side power is applied, the module will be electrically live. Do not touch the RTB's terminals. Failure to observe this caution may cause personal injury.

The RTB is designed to support Removal and Insertion Under Power (RIUP). However, when you remove or insert an RTB with field-side power applied, unintended machine motion or loss of process control can occur. Exercise extreme caution when using this feature. We recommend that field-side power be removed before removing the module.

Complete the following steps to remove the RTB.

1. Unlock the locking tab at the top of the module.
2. Open the RTB door by using the bottom tab.
3. Hold the spot marked PULL HERE and pull the RTB off the module.



20855-M

---

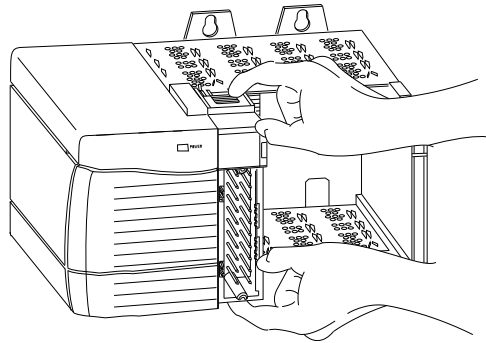
**IMPORTANT** Do not wrap your fingers around the entire door. A shock hazard exists.

---

## Remove the Module from the Chassis

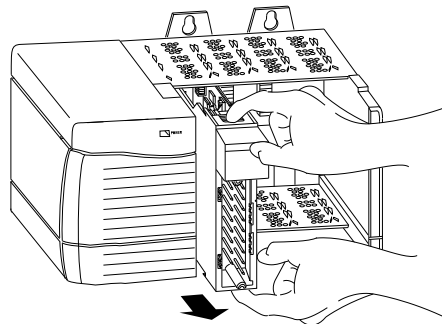
Complete the following steps to remove a module from its chassis.

1. Push in the top and bottom locking tabs.



20856-M

2. Pull the module out of the chassis.



20857-M

---

## Configure ControlLogix Analog I/O Modules

Topic	Page
Create a New Module	126
Edit the Configuration	129
Copy Channel Configuration	139
View the Module Tags	141

---

**IMPORTANT**

This chapter describes how to configure your module with Studio 5000 Logix Designer® application, version 21 and later.

You can use the ControlLogix® analog I/O modules in RSLogix 5000® software projects as well.

You must install AOPs to use the modules in any Logix Designer application or RSLogix 5000 software project.

---

You must configure your analog I/O module upon installation. It does not work if it is not configured.

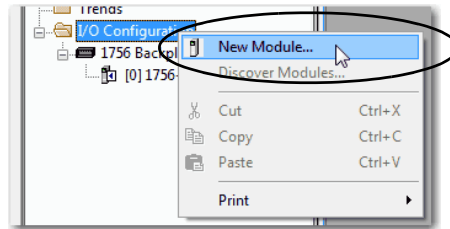
This section describes how to use the Logix Designer application to configure I/O modules in a local chassis. If you plan to use the I/O module in a remote chassis, you must add a ControlNet or EtherNet/IP communication module to the I/O configuration tree:

- For more information on the ControlLogix ControlNet module, see ControlNet Modules in Logix5000™ Control Systems, publication [CNET-UM001](#).
- For more information on the ControlLogix EtherNet/IP bridge, see EtherNet/IP Modules in Logix5000 Control Systems User Manual, publication [ENET-UM001](#).

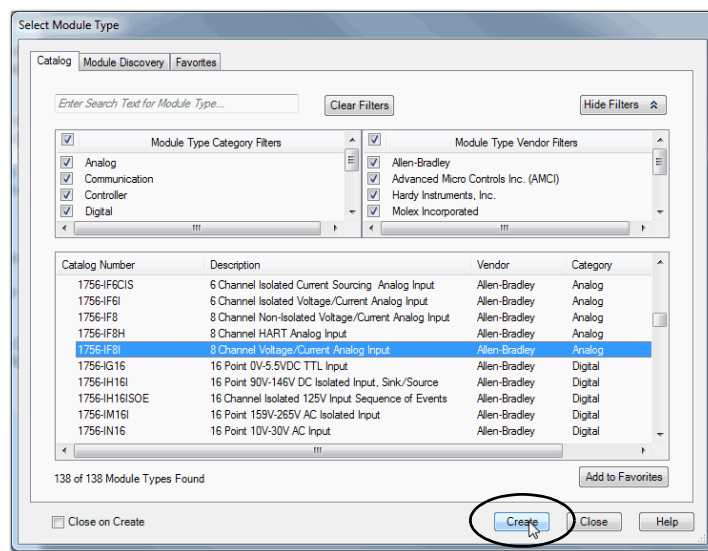
## Create a New Module

After you create a Logix Designer application project, complete the following steps to create a module in the project.

1. Right-click I/O Configuration and choose New Module.



2. Select the module and click Create.



3. Click OK to accept the default major revision.

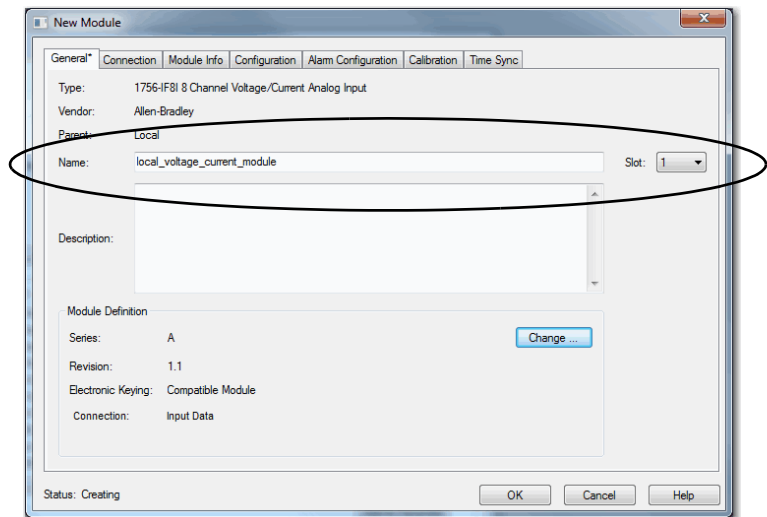
**TIP** You can verify the module's revision in RSLinx® Classic software.

The New Module dialog box appears.

4. On the General tab, name the module.

Make sure that the Slot number in the configuration matches the physical slot number of the chassis housing the module.

The Description field is optional.



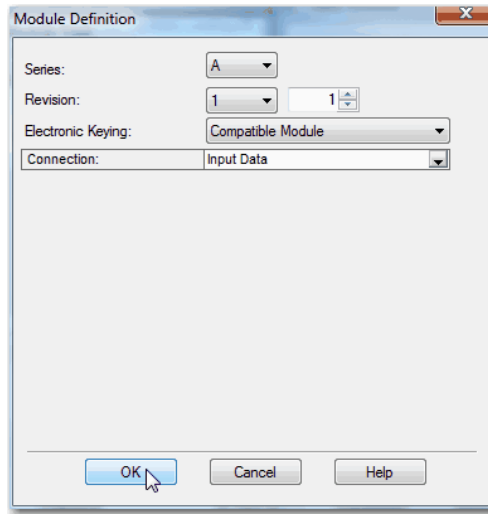
5. Click OK to accept the module's default configuration.

The rest of this section describes how to change module configuration to work as needed in your system.

## Module Definition

On the General tab, click Change ... to access the Module Definition dialog box. The following parameters are available on the Module Definition dialog box:

- Series - Module hardware series
- Revision - Module firmware revision
- Electronic Keying - For more information, see [page 28](#).
- Connection - For more information, see [page 129](#).



---

**IMPORTANT** When you use the Listen Only connection format, only the following tabs appear in the New Module dialog box:

- General
- Connection
- Module Info
- Time Sync

For more information on using the Listen Only connection format, see [page 20](#).

---



### Connection Type

The communication format determines the following for the module type you configure:

- Available configuration parameters
- Data type that is transferred between the module and the controller
- Which tags are generated when configuration is complete

The following table describes connection formats used with analog I/O modules.

Connection Type	Definition
Input Data	All available configuration, input and output data. This connection type creates all of the appropriate controller tags for the module type being used. For example, tags specific to a channel on the 1756-IRT8I module using the RTD input type are different from those specific to a channel on the same module using the thermocouple input type.
Listen-only	Controller and module establish communication without the controller sending any configuration or output data to the module. A full input data connection is established but is dependent on the owner-controller's connection.

## Edit the Configuration

You use the tabs in the New Module dialog box to edit module configuration. Some tabs show the same fields regardless of the module type you are configuring, and other tabs show fields specific to the module type.

The following tabs show the same fields regardless of module type. These tabs are not shown in this section:

- General (described beginning on [page 127](#))
- Connection
- Module Info
- Time Sync

The following tabs show fields specific to the module type:

- Configuration
- Calibration
- Alarm Configuration - Available with only the 1756-IF8I and 1756-IRT8I modules.
- CJ Configuration - Available with only the 1756-IRT8I and 1756-IT16 module.
- Limit Configuration - Available with only the 1756-OF8I module.

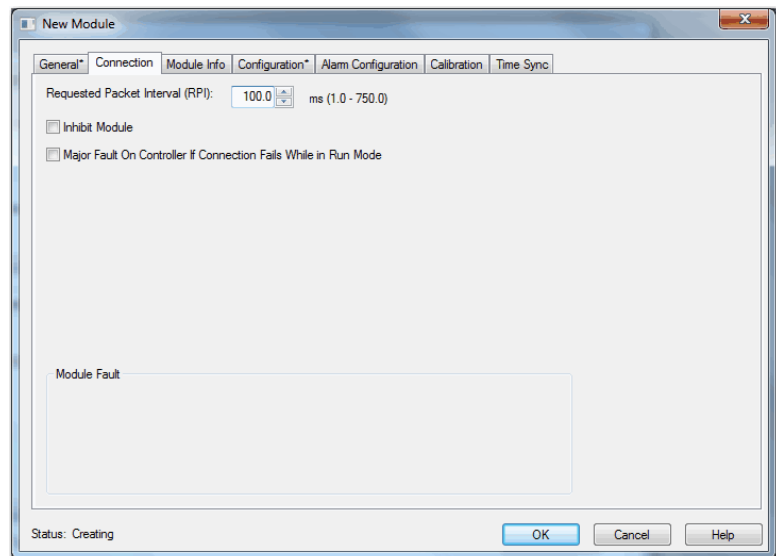
## Connection Tab

The Connection tab lets you complete the following tasks:

- Set the RPI rate. For more information about the RPI, see [page 15](#).
- Inhibit the module. For more information on inhibiting the module, see [page 27](#).
- Configure whether a connection failure while the controller is in Run module causes a major or minor fault.

The Module Fault area of the Connection tab is useful during module troubleshooting. For more information on the Module Fault area, see [page 169](#).

The configurable parameters on this tab do not differ by module type.



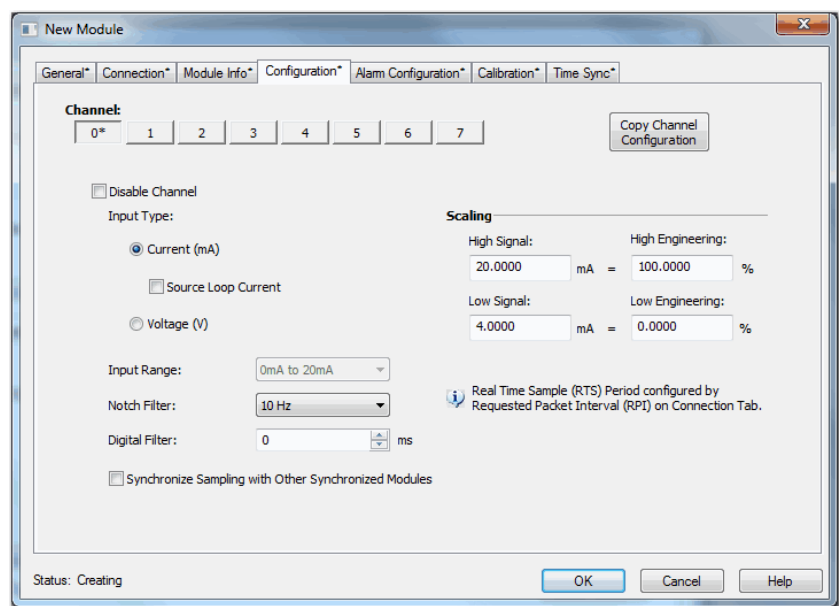
## Configuration Tab

The fields on the Configuration tab are specific to the module type. The following are examples of tasks you complete via this tab:

- Select an input or output type.
- Select a module's operating range.
- Define scaling parameters.

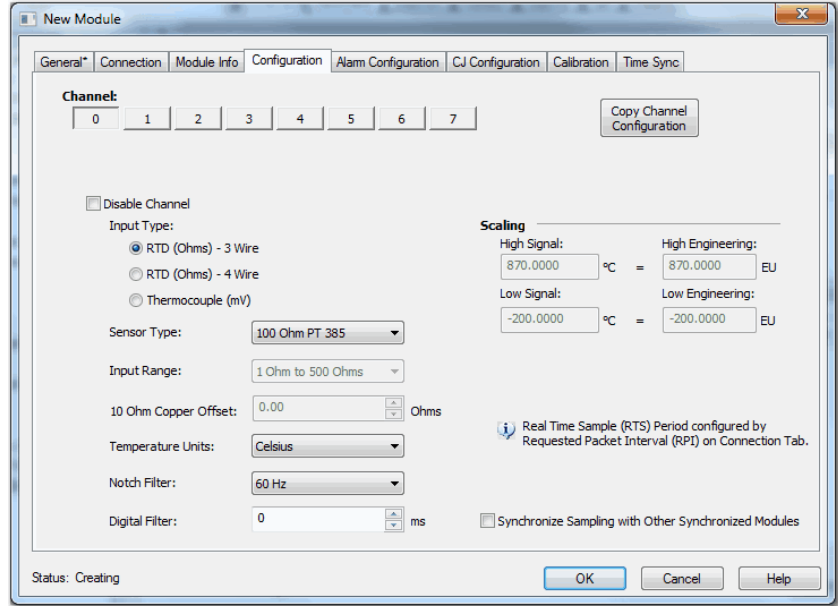
### 1756-IF8I Module

For information on this tab's configurable parameters, see Chapter 3, [1756-IF8I Isolated Analog Input Module on page 41](#).



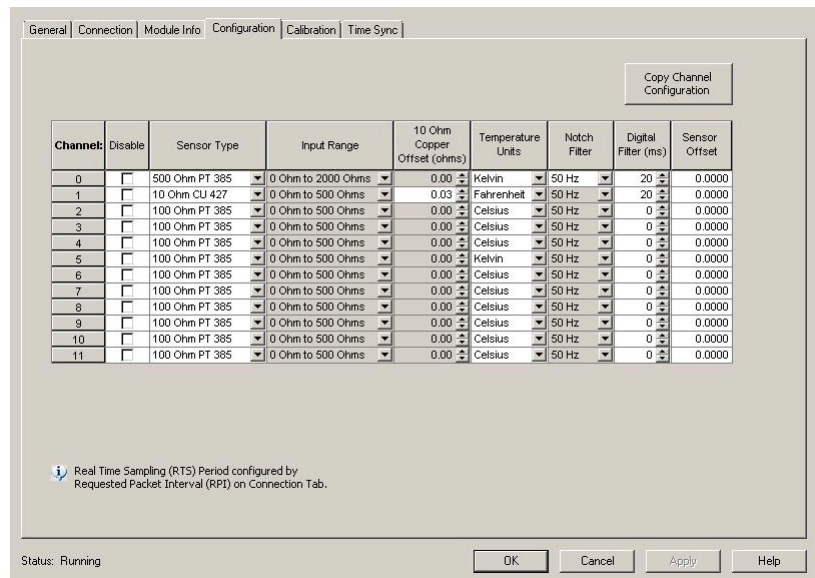
### 1756-IRT8I Module

For information on this tab's configurable parameters, see Chapter 4, [Temperature-sensing Analog Modules on page 59](#).



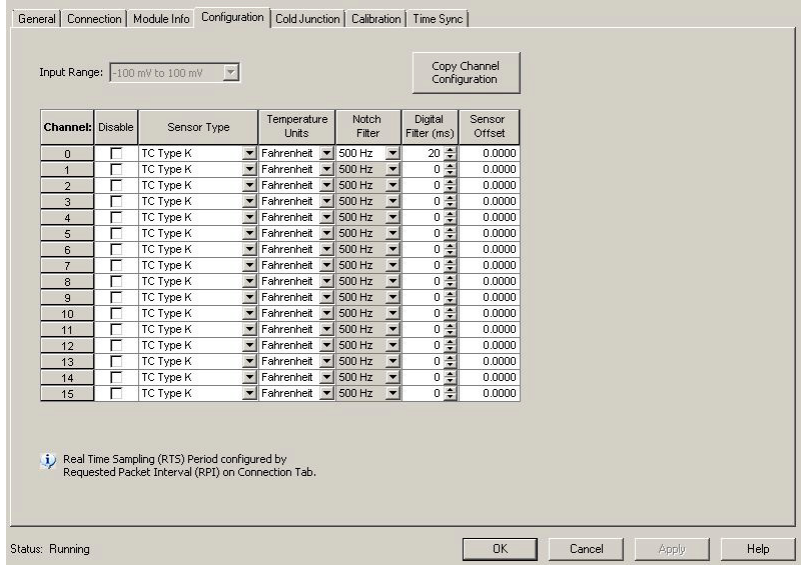
### 1756-IR12 Module

For information on this tab's configurable parameters, see Chapter 4, [Temperature-sensing Analog Modules on page 59](#).



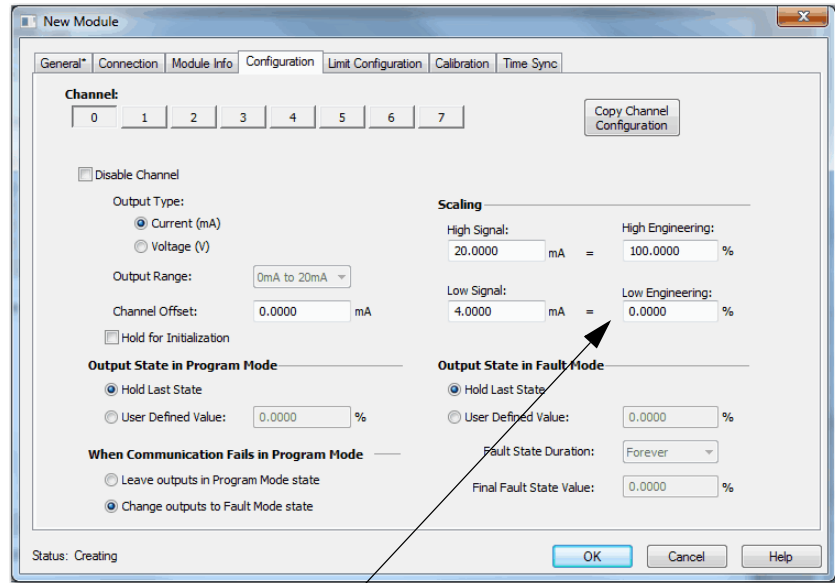
### 1756-IT16 Module

For information on this tab's configurable parameters, see Chapter 4, [Temperature-sensing Analog Modules on page 59](#).



### 1756-OF8I Module

For information on this tab's configurable parameters, see Chapter 5, [1756-OF8I Isolated Analog Output Module on page 89](#).



**IMPORTANT:** Changes to the High Engineering and Low Engineering values do not automatically change the Clamp values on the Limit Configuration tab.

## Calibration Tab

The Calibration tab lets you recalibrate the module. Calibration corrects any hardware inaccuracies on a module.

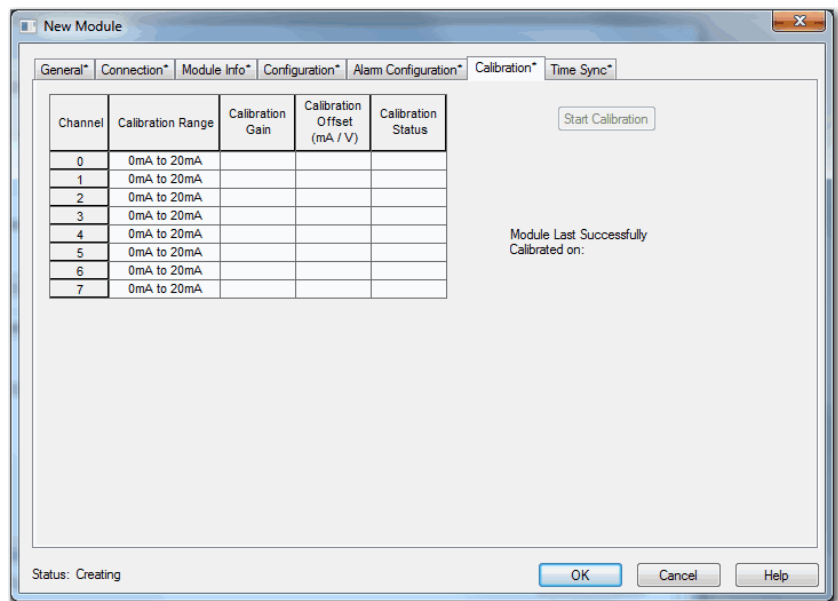
---

**IMPORTANT** The analog I/O modules do not **require** recalibration after operating in an application.

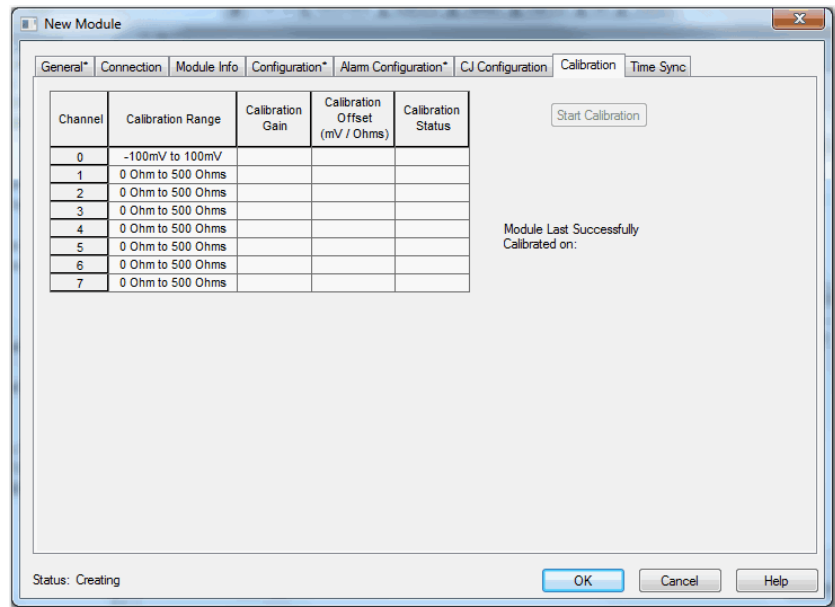
---

For information on how to configure each module type, see Chapter 8, [Calibrate the ControlLogix Analog I/O Modules on page 143](#).

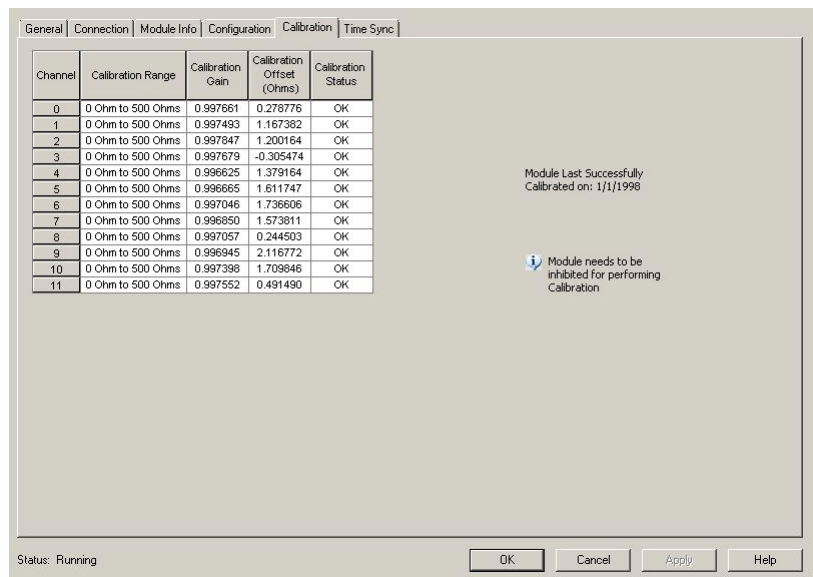
### 1756-IF8I Module



### 1756-IRT8I Module



### 1756-IR12 Module



### 1756-IT16 Module

Channel	Calibration Range	Calibration Gain	Calibration Offset (mV)	Calibration Status
0	-100mV to 100mV	1.000821	-0.066410	OK
1	-100mV to 100mV	1.000819	-0.069862	OK
2	-100mV to 100mV	1.000817	-0.069290	OK
3	-100mV to 100mV	1.000827	-0.076157	OK
4	-100mV to 100mV	1.000633	-0.050763	OK
5	-100mV to 100mV	1.000623	-0.049546	OK
6	-100mV to 100mV	1.000632	-0.054116	OK
7	-100mV to 100mV	1.000634	-0.049509	OK
8	-100mV to 100mV	1.001177	-0.112889	OK
9	-100mV to 100mV	1.001182	-0.115323	OK
10	-100mV to 100mV	1.001191	-0.118067	OK
11	-100mV to 100mV	1.001178	-0.113770	OK
12	-100mV to 100mV	0.998949	0.123804	OK
13	-100mV to 100mV	0.998951	0.115745	OK
14	-100mV to 100mV	0.998949	0.124524	OK
15	-100mV to 100mV	0.998957	0.115881	OK

Start Calibration

Module Last Successfully Calibrated on: 1/1/1998

Status: Running

OK Cancel Apply Help

### 1756-OF8I Module

Channel	Calibration Range	Calibration Gain	Calibration Offset (mA / V)	Calibration Status
0	0mA to 20mA			
1	0mA to 20mA			
2	0mA to 20mA			
3	0mA to 20mA			
4	0mA to 20mA			
5	0mA to 20mA			
6	0mA to 20mA			
7	0mA to 20mA			

Start Calibration

Module Last Successfully Calibrated on:

Status: Creating

OK Cancel Help



## Alarm Configuration Tab

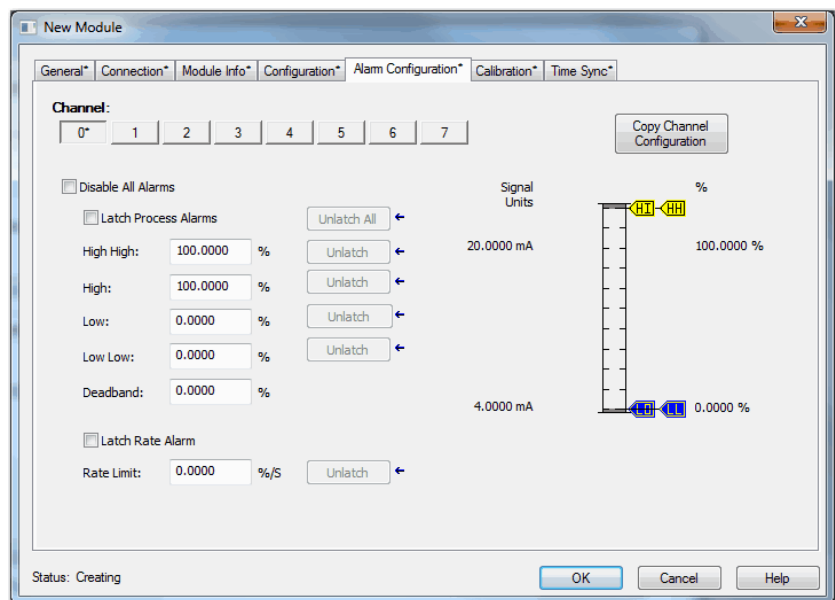
The 1756-IF8I and 1756-IRT8I modules support alarms. The fields on the Alarm Configuration tab are specific to the module type. The following are examples of tasks you complete via this tab:

- Disable alarms.
- Set alarm parameters.
- Set rate limits.

This tab is available only for input modules.

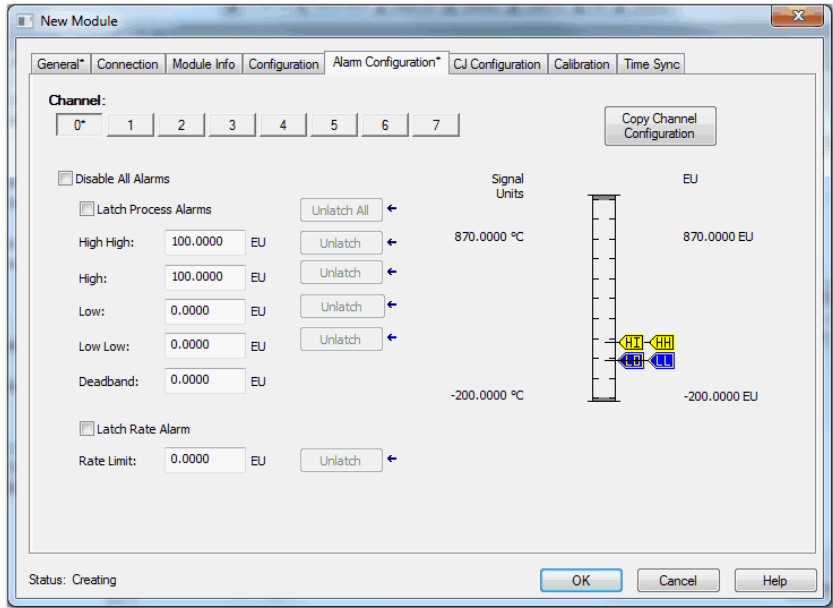
### 1756-IF8I Module

For information on this tab's configurable parameters, see Chapter 3, [1756-IF8I Isolated Analog Input Module on page 41](#).



### 1756-IRT8I Module

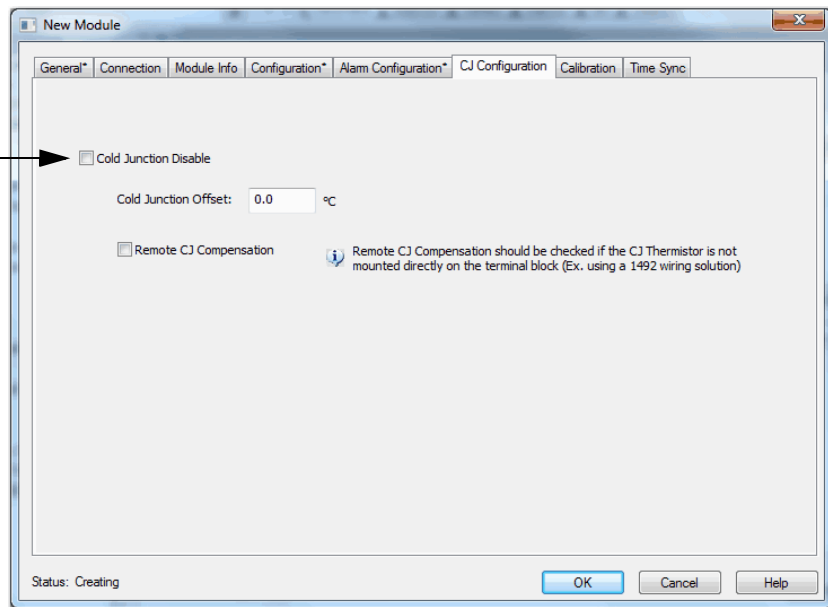
For information on this tab's configurable parameters, see Chapter 4, [Temperature-sensing Analog Modules on page 59](#).



### CJ Configuration Tab

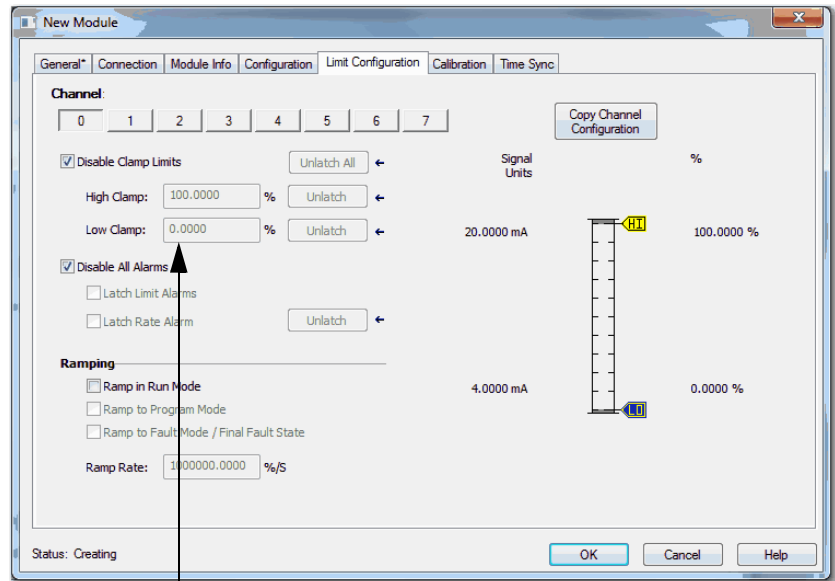
The CJ Configuration tab is available with the 1756-IRT8I and 1756-IT16 modules. You use this tab to configure the cold junction compensation option.

**IMPORTANT:** If all channels on the module use the RTD input type, the Cold Junction Disable option appears dimmed and the checkbox is automatically checked.



## Limit Configuration Tab

The Limit Configuration tab is available with only the 1756-OF8I module. You use this tab to configure clamp limits and module ramping.



**IMPORTANT:** Changes to the High Engineering and Low Engineering values on the Configuration tab do not change the Clamp values on this tab, when Clamp Limits are enabled.

## Copy Channel Configuration

The Copy Channel Configuration feature lets you quickly and easily use the same configuration across multiple channels on a module. You can configure channel parameters on Module Properties dialog box and copy them to other channels.

Copy Channel Configuration is available on the Module Properties dialog box tabs as follows for the ControlLogix analog I/O modules:

- 1756-IF8I, 1756-IRT8I, 1756-IR12, 1756-IT16 modules:
  - Configuration tab
  - Alarm Configuration tab
- 1756-OF8I module:
  - Configuration tab
  - Limit Configuration tab

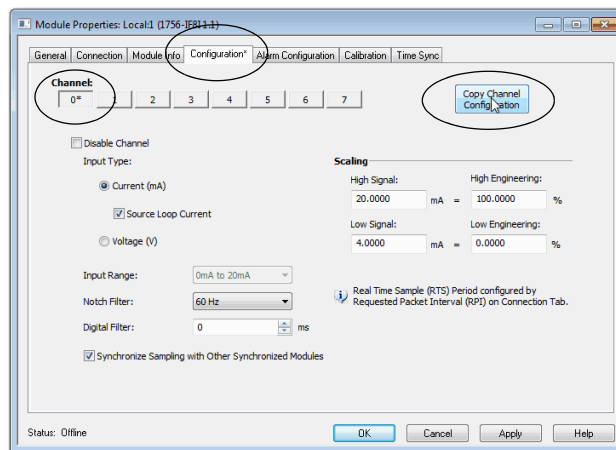
The Copy Channel Configuration feature copies all channel configuration from one channel to one or more other channels. For example, if you use the Copy Channel Configuration feature on the Configuration tab for a 1756-IF8I module, the configuration values on the Configuration tab and the Alarm Configuration tab are copied to the selected channels.

Complete the following steps to copy channel configuration from one channel to others.

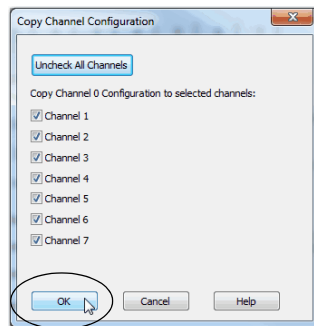
1. Verify that your controller is not in Run mode.  
If so, change it to Remote Run, Remote Program, or Program mode, as applicable to your system.
2. Access the Module Properties dialog box.
3. Click the Configuration tab and make the required configuration changes.

In this example, the channel 0 configuration for a 1756-IF8I module is copied to all other channels on the module.

4. Click Copy Channel Configuration.



5. Click the channels to which you want to copy channel configuration and click OK.



The configuration is copied to the other channels.

- Click OK or Apply for the new channel configuration to take effect.

**TIP** If desired, you can apply configuration changes to the first channel, as described in [step 3](#), before moving to the next step and copying channel configuration.

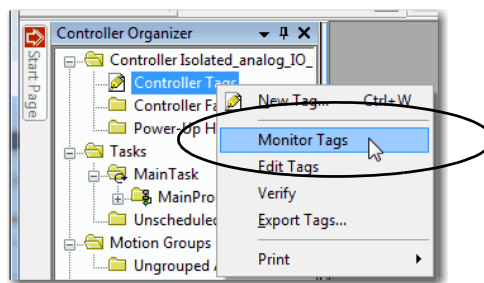
We recommend that you copy channel configuration before applying the changes. In this manner, the controller sends the changes to the module only once and, therefore, needs to make only one connection to the module.

## View the Module Tags

When you create a module, the Logix Designer application creates a set of tags that you can view in the Tag Editor. Each configured feature on your module has a distinct tag that is available for use in the controller's programming logic.

Complete these steps to access the tags in a module.

- In the Controller Organizer, right-click Controller Tags and choose Monitor Tags.



The Controller Tags dialog box appears with data.

- Click the + symbols to view module tags as shown in the following graphic.

Scope: Isolated_analog_		Show: All Tags	
Name	Value		Sty
Local:1.C	{...}		
Local:1.C.Ch	{...}		
Local:1.C.Ch[0]	{...}		
Local:1.C.Ch[0].InputRange	3	Dec	
Local:1.C.Ch[0].NotchFilter	0	Dec	
Local:1.C.Ch[0].AlarmDisable	0	Dec	
Local:1.C.Ch[0].ProcessAlarmLatch	0	Dec	
Local:1.C.Ch[0].RateAlarmLatch	0	Dec	
Local:1.C.Ch[0].Disable	0	Dec	
Local:1.C.Ch[0].Sourcing	0	Dec	
Local:1.C.Ch[0].SynchronizeSampling	0	Dec	
Local:1.C.Ch[0].DigitalFilter	0	Dec	
Local:1.C.Ch[0].RateAlarmLimit	0.0	Flo	
Local:1.C.Ch[0].LowSignal	4.0	Flo	
Local:1.C.Ch[0].HighSignal	20.0	Flo	
Local:1.C.Ch[0].LowEngineering	0.0	Flo	
Local:1.C.Ch[0].HighEngineering	100.0	Flo	
Local:1.C.Ch[0].LLAlarmLimit	0.0	Flo	
Local:1.C.Ch[0].LAlarmLimit	0.0	Flo	
Local:1.C.Ch[0].HAlarmLimit	100.0	Flo	
Local:1.C.Ch[0].HHAlarmLimit	100.0	Flo	
Local:1.C.Ch[0].AlarmDeadband	0.0	Flo	

For more information on module tags, see Appendix A, [Analog I/O Module Tag Definitions on page 181](#).

**Notes:**

---

## Calibrate the ControlLogix Analog I/O Modules

Topic	Page
Difference between Calibrating an Input Module and an Output Module	144
Calibrate the Input Modules	145
Calibrate the Output Module	158

The ControlLogix® analog I/O modules are calibrated during the manufacturing process. Each module's accuracy remains high throughout its lifespan.

---

**IMPORTANT** You are **not required** to calibrate the module at any point in its lifespan. This chapter describes the tasks that are associated with module calibration if you choose to calibrate the module at any point in their lifespan.

---

You must add the module to your Studio 5000 Logix Designer® application project, as described in Chapter 7, before you can calibrate it.

You calibrate analog I/O modules on a channel-by-channel basis or with the channels grouped together.

If you choose to calibrate your module, we recommend the following:

- Calibrate all channels on your module each time you calibrate.

This maintains consistent calibration readings and improves module accuracy.

- Use an extra 1756-TBCH RTB to calibrate your module.

## Difference between Calibrating an Input Module and an Output Module

Although the purpose of calibrating analog modules is the same for input and output modules, to improve the module's accuracy and repeatability, the procedures that are involved differs for each:

- When you calibrate input modules, you use current, voltage, or ohms reference signals to send a signal to the module to calibrate it.
- When you calibrate output modules, you use a digital multimeter (DMM) to measure the signal that the module is sending out.

To maintain the factory calibration accuracy of your module, we recommend instrumentation with the specifications listed in [Table 23](#). A high-resolution DMM can also be used to adjust a voltage/current calibrating source to its value.

**Table 23 - Calibration Instrumentation Specifications**

Module	Channel Input Type	Recommended Instrument Specifications
1756-IF8I	Current (mA)	1.00...20.00 mA source $\pm 100$ nA current
	Voltage (V)	0...10V source $\pm 2$ $\mu$ V voltage
1756-IRT8I	RTD	1.0...487.0 $\Omega$ resistors $\pm 0.01\%$
	Thermocouple (mV)	0...100 mV source $\pm 0.5$ $\mu$ V
1756-IR12	RTD	1.0...487.0 $\Omega$ resistors $\pm 0.01\%$
1756-IT16	Thermocouple (mV)	0...100 mV source $\pm 0.5$ $\mu$ V
1756-OF8I	Current (mA)	DMM with resolution better than 0.15 $\mu$ A
	Voltage (V)	DMM with resolution better than 1.0 $\mu$ V

### IMPORTANT

Do not calibrate your module with an instrument that is less accurate than those recommended. The following events can result:

- Calibration appears to occur normally but the module gives inaccurate data during operation.
- A calibration fault occurs, forcing you to abort calibration.
- The *I.Ch[x].CalibrationFault* tag is set for the channel you attempted to calibrate.

You can clear the tag by completing a valid calibration or cycling power to the module. In this case, you must recalibrate the module with an instrument as accurate as recommended.



## Calibrate Via Profile or Ladder

Your project must be online with the controller to calibrate ControlLogix analog I/O modules via the software. You can calibrate in the following conditions:

- Via Ladder Logic by using the Output Tags: place the controller in Run mode-either Remote Run or Run mode.

Use the output tags to calibrate the module by initiating calibration and providing/recording the low and high calibration reference points.

The input/output range to be calibrated must be what the module is configured for when the calibration is initiated when calibrating via the output tags.

We recommend that a special calibration program is used when calibrating with the output tags to make sure that the channels under calibration are not being used for active control.

- Via the Module Profile: place the controller in Program mode, either Remote Program or Program mode or Inhibit the connection from the controller.

This is required to calibrate the 1756-IR12 or the 1756-IT16 via the Profile as they are input only modules that do not have a sense of Program Mode.

These analog modules cannot be calibrated via the Module Profile while in Run Mode.

---

**IMPORTANT** The module freezes the state of each channel and does not update the controller with new data until after the calibration ends. This could be hazardous if active control were attempted during calibration.

---

## Calibrate the Input Modules

Input calibration is a multi-step process. You apply low and high signal references to the module at different steps in the process.

Topic	Page
Calibrate the 1756-IF8I Module Via the Profiles	145
Calibrate the Temperature-sensing Modules	150

## Calibrate the 1756-IF8I Module Via the Profiles

You can calibrate the 1756-IF8I module for use with the following input types:

- Current (mA)

- Voltage (V)

---

**IMPORTANT** This section shows how to calibrate the 1756-IF8I modules for use with only voltage inputs.

The calibration process is generally the same if you calibrate the module for use with current inputs except for the following differences:

- You connect a current calibrator to the module.
  - The low reference signal applied to the module = 4 mA.
  - The high reference signal applied to the module = 20 mA.
- 

### *Calibrate the 1756-IF8I Module For Voltage Input Type*

During voltage calibration, 0.0V and +10.0V external references are applied to the module's channels. The module records the deviation from these reference values and stores it as calibration constants in the module's firmware.

The internal calibration constants are then used in every subsequent signal conversion to compensate for circuit inaccuracies, including the input amplifier, resistors, and the A/D convertor.

The 1756-IF8I offers three input voltage ranges:

- -10...10V
- 0...5V
- 0...10V

---

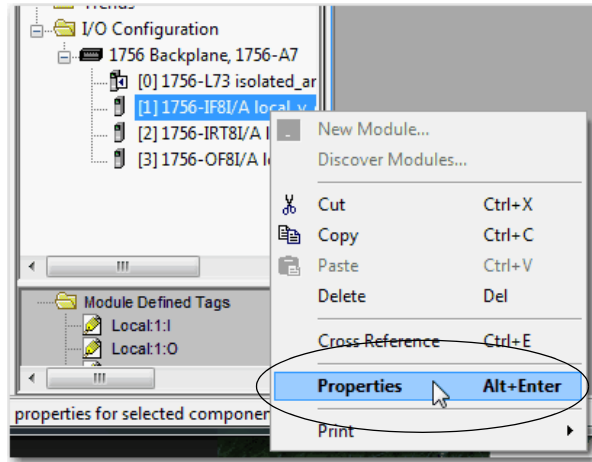
**IMPORTANT** Regardless of the input voltage range selected prior to calibration, all voltage calibration uses the -10...10V range.

---

Follow these steps to calibrate your 1756-IF8I module.

1. Connect your voltage calibrator to all module channels being calibrated.
2. Go online with your project.

- Right-click the module you want to calibrate and choose Properties.



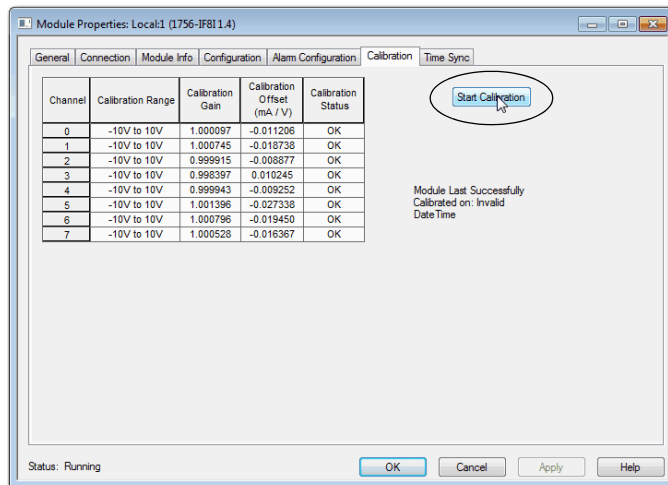
- On the Configuration tab, make sure the Input Type for each channel to be calibrated is set to Voltage (V).

The input range selection does not impact calibration.

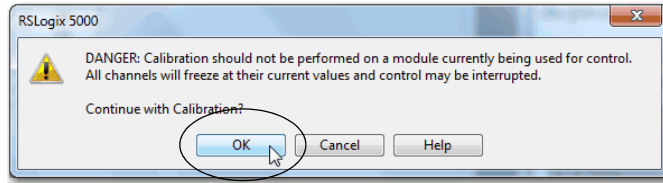
- Make sure that the controller is in Program Mode or the Connection is Inhibited (available via the Connection tab).

The 1756-IR12 and 1756-IT16 modules can only be calibrated when the Connection is Inhibited.

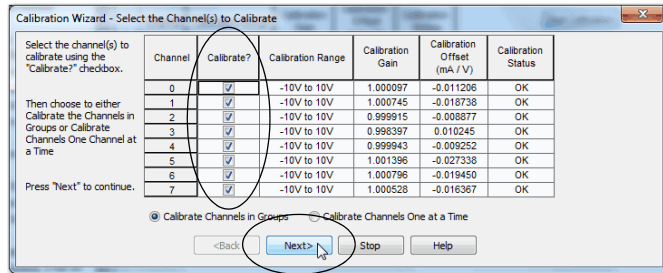
- On the Calibration tab, click Start Calibration.



7. When the warning appears, click OK.

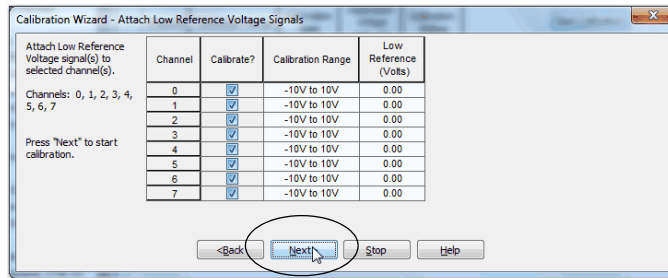


8. Select the channels to be calibrated and click Next.



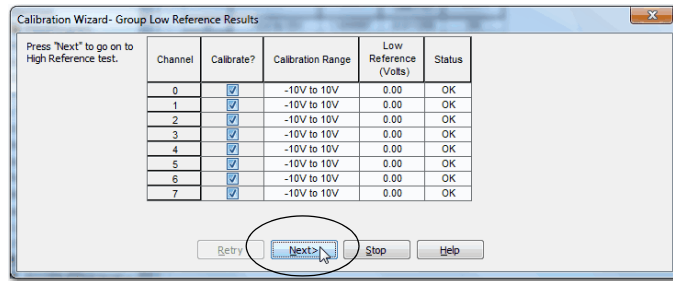
The Attach Low Reference Voltage Signals dialog box appears, as shown below. It indicates the channels are calibrated for a low reference and the range of the calibration.

9. Set the calibrator for the low reference and apply it to the module.
10. Click Next.



The Group Low Reference Results dialog box indicates the status of each channel after calibrating for a low reference.

11. If channels are OK, click Next.



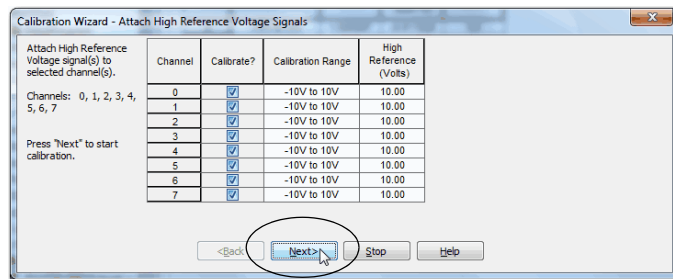
If any channel reports an error, return to [step 9](#) and click Retry until the status is OK.

If the error persists indefinitely, click Stop to exit calibration. The channel remains calibrated to the accuracy level achieved at factory calibration.

The Attach High Reference Voltage Signals dialog box appears, as shown below. It indicates the channels are calibrated for a high reference and the range of the calibration.

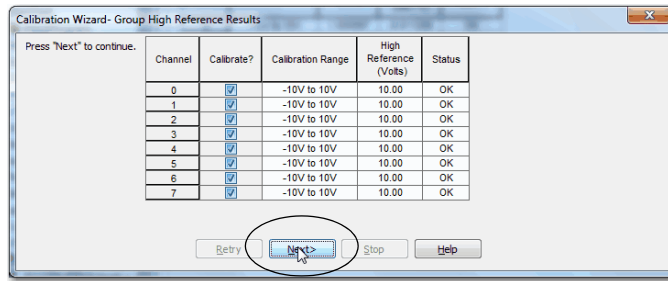
12. Set the calibrator for the high reference voltage and apply it to the module.

13. Click Next.



The Group High Reference Results dialog box indicates the status of each channel after calibrating for a high reference.

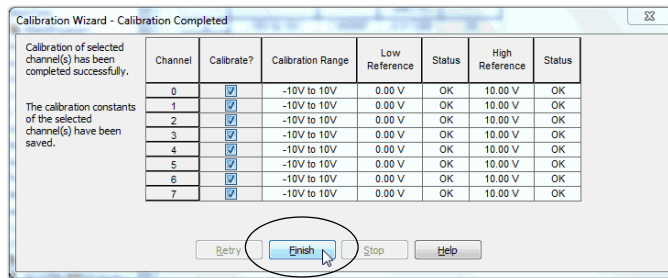
14. If channels are OK, click Next.



If any channel reports an error, return to [step 12](#) and click Retry until the status is OK.

If the error persists indefinitely, click Stop to exit calibration. The channel remains calibrated to the accuracy level achieved at factory calibration.

15. When the Calibration Completed dialog box appears, click Finish.



## Calibrate the Temperature-sensing Modules

You can calibrate the 1756-IRT8I, 1756-IR12, and 1756-IT16 modules for use with the following input types:

- RTD (Ohms) - 3- and 4-wire types (the 4-wire type is available only for the 1756-IRT8I module)
- Thermocouple (mV)

**Note:** You must inhibit the 1756-IR12 and 1756-IT16 modules before you perform the calibration. Calibration via messaging is not allowed when the modules are in Run mode (any time they have a connection open to the module).

### Calibrate the Module for an RTD Input Type

The module uses two precision resistors to calibrate the channels in ohms. You connect the following:

- 1  $\Omega$  precision resistor for low reference calibration
- 487  $\Omega$  precision resistor for high reference calibration

---

**IMPORTANT** After you connect either precision resistors to the 1756-IRT8I module, we recommend that you wait for a minimum of two minutes before proceeding to the next task to obtain the highest calibration accuracy. For more information, see [page 153](#) and [page 153](#).

---

The module can operate in multiple input ranges when an RTD is connected. However, the module calibrates only in the 0...500  $\Omega$  range.

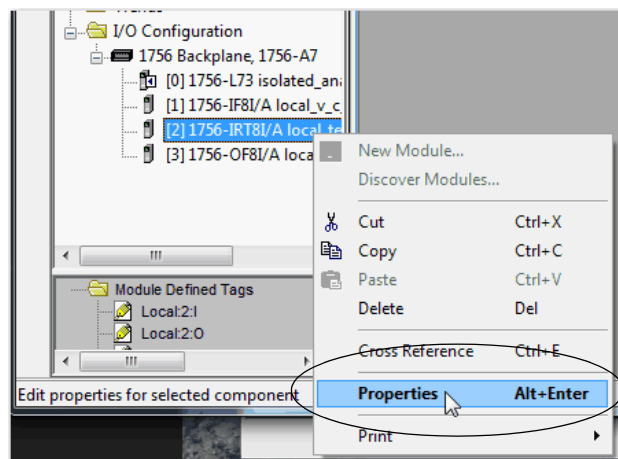
---

**IMPORTANT** When you are wiring precision resistors for calibration, follow the wiring diagrams. Make sure terminals IN\_x(-)/B and IN\_x/RTD C are shorted together at the RTB. You can calibrate the 1756-IRT8I module for 3-wire or 4-wire mode. Calibrate in the mode in which the module operates.

---

Follow these steps to calibrate your module.

1. Go online with your project.
2. Right-click the module you want to calibrate and choose Properties.



3. On the Configuration tab, make sure that the Input Type for each channel to be calibrated is set to the same RTD input type.

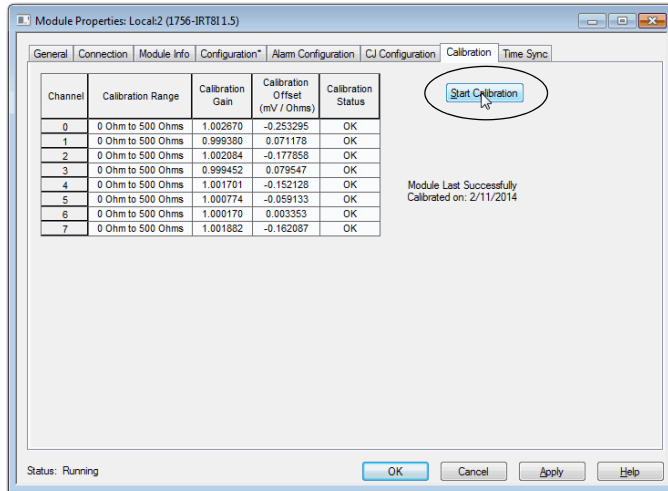
The sensor type selection does not impact calibration.

The 1756-IRT8I module has eight channels, the 1756-IR12 module has 12, and 1756-IT16 module has 16.

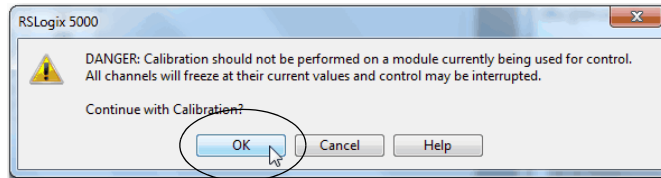
4. Make sure that the controller is in Program Mode or the Connection is Inhibited (available via the Connection tab).

The 1756-IRT8I, 1756-IR12, and 1756-IT16 modules can only be calibrated when the Connection is Inhibited.

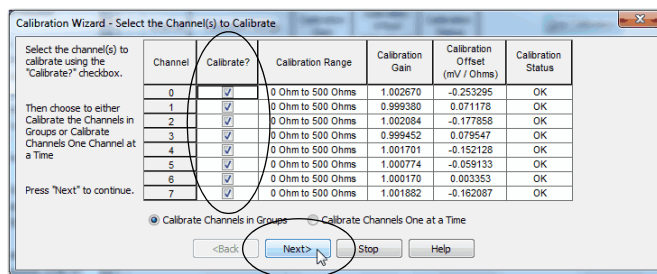
5. On the Calibration tab, click Start Calibration.



6. When the warning appears, click OK.



7. Select the channels to be calibrated and click Next.



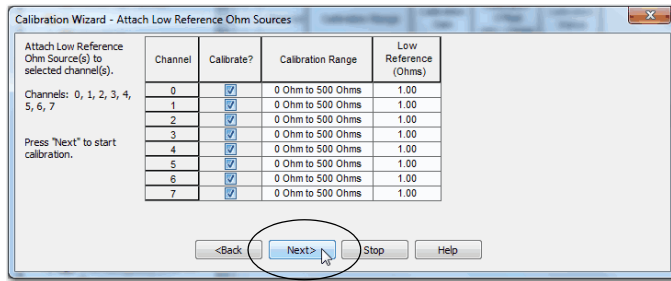
The Attach Low Reference Ohms Sources dialog box appears, as shown in [step 9](#). It indicates the channels are calibrated for a low reference and the range of the calibration.



- Connect a 1 Ω precision resistor to all module channels being calibrated.

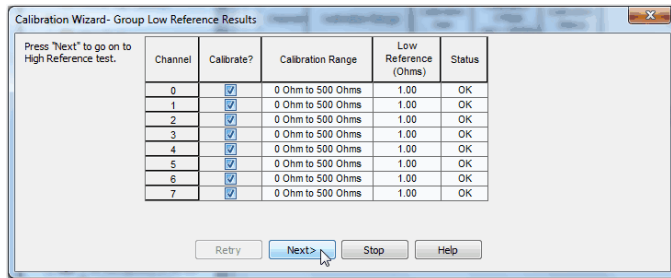
**IMPORTANT** After you connect the precision resistor, we recommend that you wait for a minimum of two minutes before proceeding to the next task to obtain the highest calibration accuracy.

- Click Next.



The Group Low Reference Results dialog box indicates the status of each channel after calibrating for a low reference.

- If channels are OK, click Next.



If any channel reports an error, return to [step 8](#) and click Retry until the status is OK.

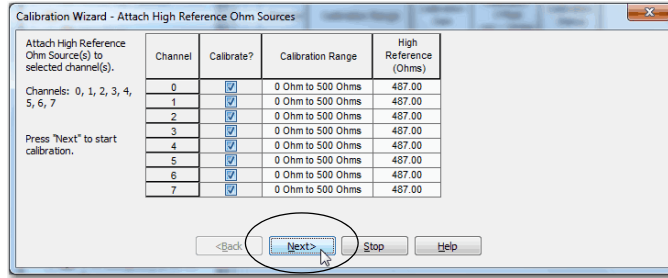
If the error persists indefinitely, click Stop to exit calibration. The channel remains calibrated to the accuracy level achieved at factory calibration.

The Attach High Reference Ohms Sources dialog box appears. It indicates the channels are calibrated for a high reference and the range of the calibration.

- Connect a 487 Ω precision resistor to all module channels being calibrated.

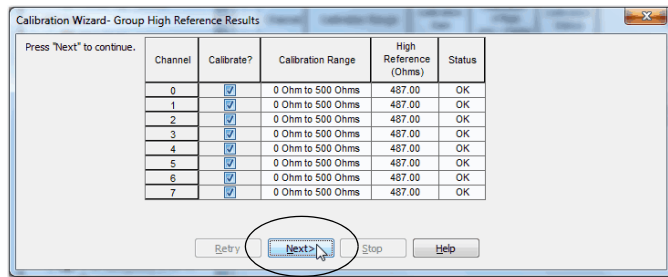
**IMPORTANT** After you connect the precision resistor to the 1756-IRT8I module, we recommend that you wait for a minimum of two minutes before proceeding to the next task to obtain the highest calibration accuracy.

12. Click Next.



The Group High Reference Results dialog box indicates the status of each channel after calibrating for a high reference.

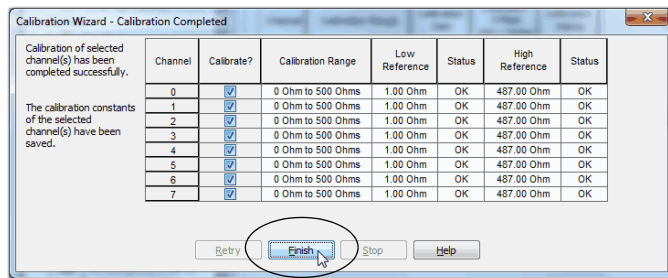
13. If channels are OK, click Next.



If any channel reports an error, return to [step 11](#) and click Retry until the status is OK.

If the error persists indefinitely, click Stop to exit calibration. The channel remains calibrated to the accuracy level achieved at factory calibration.

14. When the Calibration Completed dialog box appears, click Finish.



*Calibrate the Module for a Thermocouple Input Type*

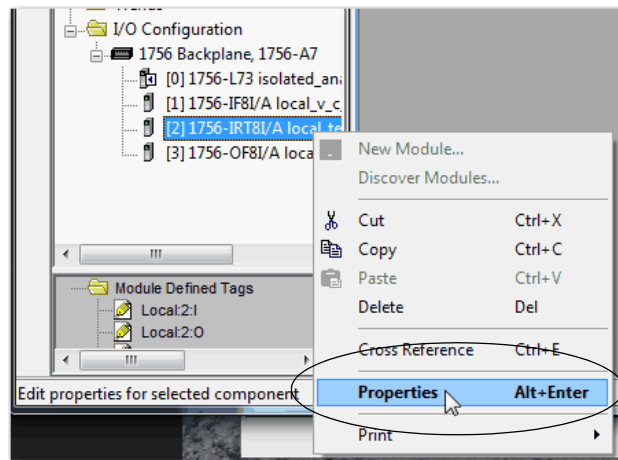

---

**IMPORTANT** The 1756-IRT8I module channels configured for Thermocouple inputs perform a wire resistance self-calibration when the module power is cycled.

---

Follow these steps to calibrate your module.

1. Connect your voltage calibrator to all module channels being calibrated.
2. Go online with your project.
3. Right-click the module you want to calibrate and choose Properties.



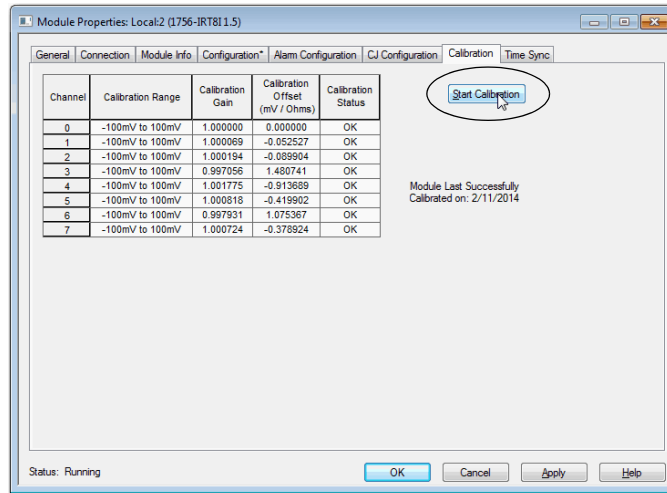
4. On the Configuration tab, make sure the Input Type for each channel to be calibrated is set to Thermocouple (mV).

The sensor type selection does not impact calibration.

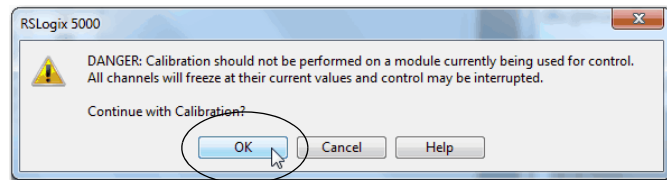
5. Make sure that the controller is in Program Mode or the Connection is Inhibited (available via the Connection tab).

The 1756-IRT8I module can only be calibrated when the Connection is Inhibited.

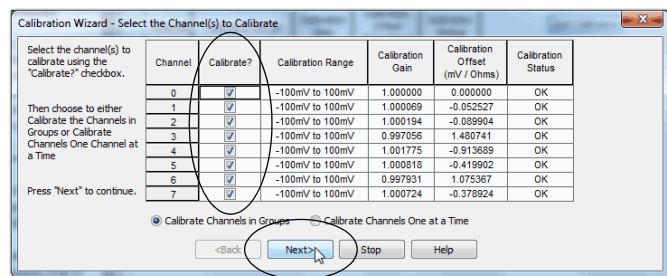
6. On the Calibration tab, click Start Calibration.



7. When the warning appears, click OK.



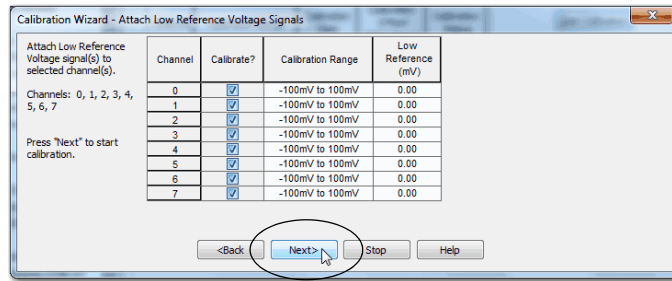
8. Select the channels to be calibrated and click Next.



The Attach Low Reference Voltage Signals dialog box appears, as shown below. It indicates the channels are calibrated for a low reference and the range of the calibration.

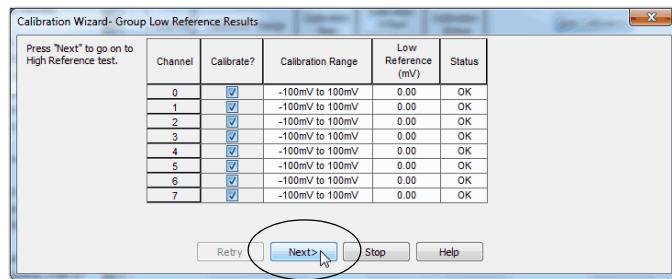
9. Set the calibrator for the low reference and apply it to the module.

**10. Click Next.**



The Group Low Reference Results dialog box appears, as shown below. It indicates the status of each channel after calibrating for a low reference.

**11. If channels are OK, click Next.**



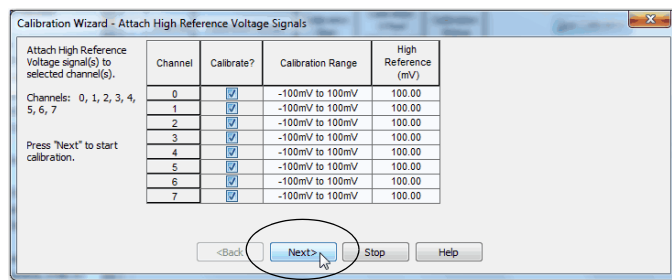
If any channel reports an error, return to [step 9](#) and click Retry until the status is OK.

If the error persists indefinitely, click Stop to exit calibration. The channel remains calibrated to the accuracy level achieved at factory calibration.

The Attach High Reference Voltage Signals dialog box appears, as shown below. It indicates the channels are calibrated for a high reference and the range of the calibration.

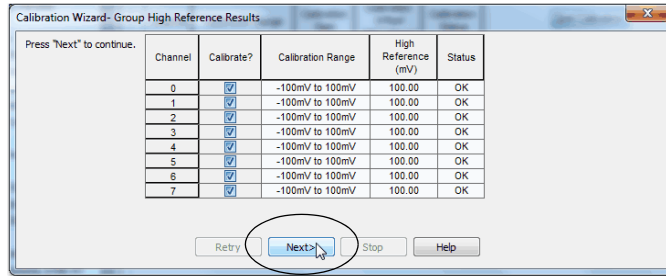
**12. Set the calibrator for the high reference voltage and apply it to the module.**

**13. Click Next.**



The Group High Reference Results dialog box indicates the status of each channel after calibrating for a high reference.

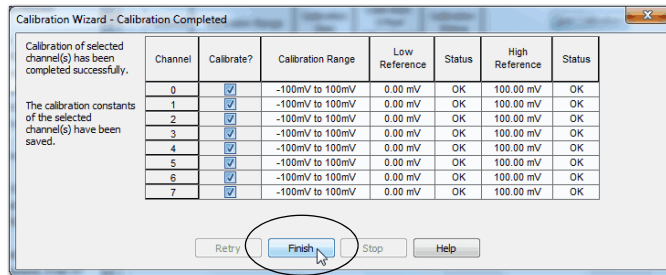
14. If channels are OK, click Next.



If any channel reports an error, return to [step 12](#) and click Retry until the status is OK.

If the error persists indefinitely, click Stop to exit calibration. The channel remains calibrated to the accuracy level achieved at factory calibration.

15. When the Calibration Completed dialog box appears, click Finish.



## Calibrate the Output Module

You can calibrate the 1756-OF8I module for use with the following output types:

- Current (mA)
- Voltage (V)

### IMPORTANT

This section shows how to calibrate the 1756-OF8I modules for use with only current outputs.

The calibration process is generally the same if you calibrate the module for use with voltage inputs except for the following differences:

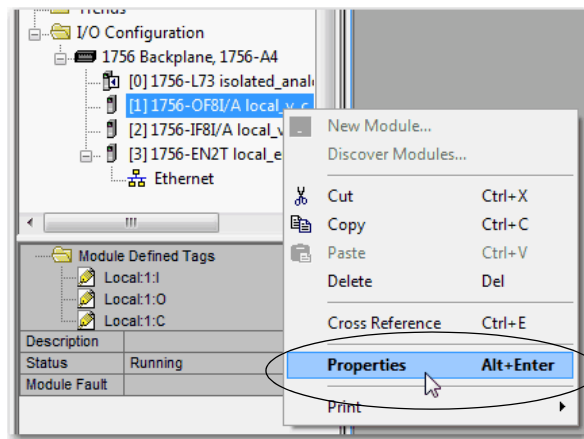
- You connect a voltage meter to the module.
- The low reference signal measured at the module is in volts.
- The high reference signal measured at the module is in volts.

## Calibrate the 1756-OF8I Module for a Current Output Type

When calibrating an output channel for use with a current output type, the Logix Designer application commands the module to output specific levels of current. You must measure the actual level and record the results to account for any module inaccuracies.

Follow these steps to calibrate your module.

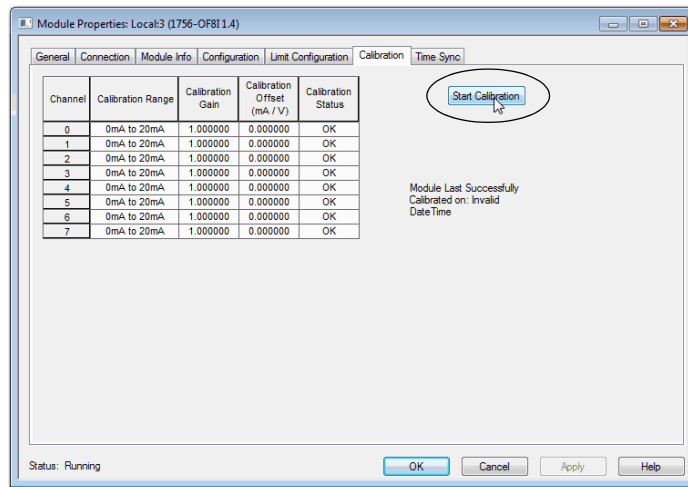
1. Connect your current meter to all module channels being calibrated.
2. Go online with your project.
3. Right-click the module you want to calibrate and choose Properties.



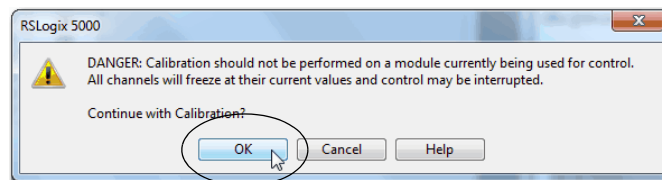
4. On the Configuration tab, make sure the Output Type for each channel to be calibrated is set to Current (mA).
5. Make sure that the controller is in Program Mode or the Connection is Inhibited (available via the Connection tab).

The module can only be calibrated when the Connection is Inhibited.

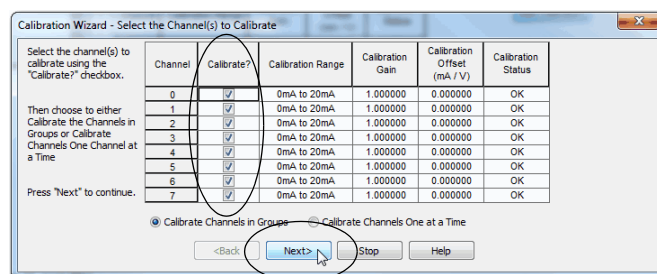
6. On the Calibration tab, click Start Calibration.



7. When the warning appears, click OK.



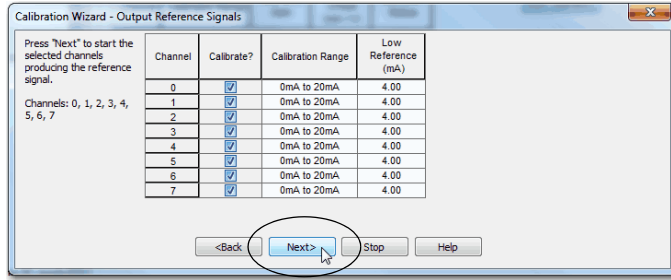
8. Select the channels to be calibrated and click Next.



The Output Reference Signals dialog box appears. It indicates the channels are calibrated for a low reference and the calibration range.

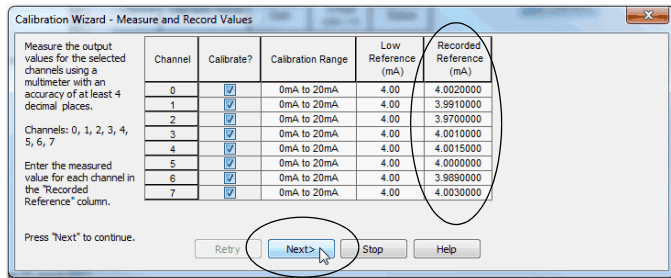


9. Click Next.



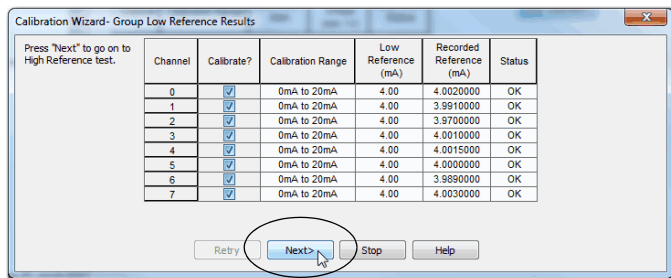
The Measure and Record Values dialog box appears.

10. For each channel being calibrated, use your current meter to measure the reference value of each channel individually.
11. In the Recorded Reference (mA) column record the measured value for each channel that was recorded and click Next.



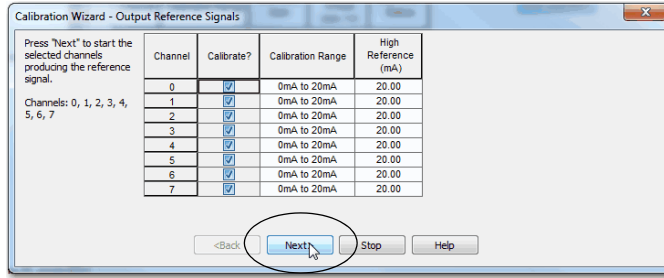
The Group Low Reference Results dialog box indicates the status of each channel. If the status is not OK for any channels, repeat the calibration process.

12. Click Next.



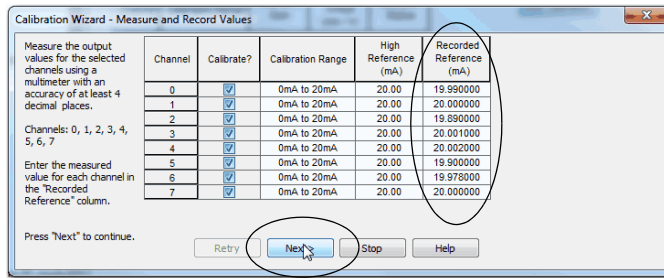
The Output Reference Signals dialog box appears, as shown below. It indicates the channels are calibrated for a high reference and the calibration range.

13. Click Next.



The Measure and Record Values dialog box appears.

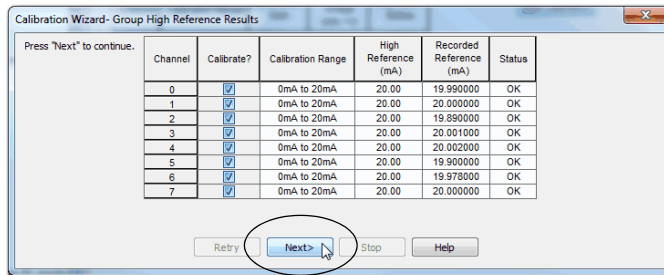
14. For each channel being calibrated, use your current meter to measure the reference value of each channel individually.
15. In the Recorded Reference (mA) column record the measured value for each channel that was recorded and click Next.



The Group High Reference Results dialog box indicates the status of each channel. If the status is not OK for any channels, repeat the calibration process.

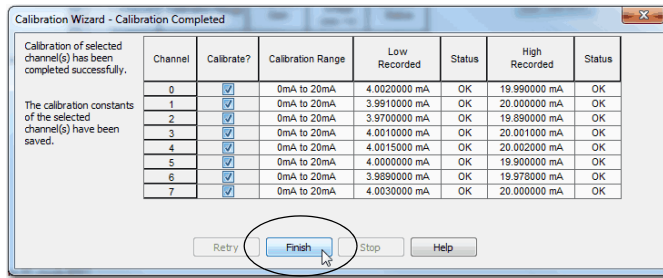
If the error persists indefinitely, click Stop to exit calibration. The channel remains calibrated to the accuracy level achieved at factory calibration.

16. Click Next.



The Calibration Completed dialog box indicates the status of each channel.

17. Click Finish.



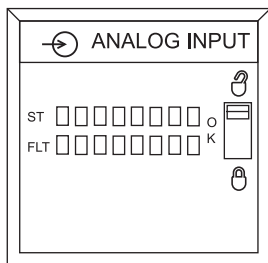
**Notes:**

## Troubleshoot Your Module

Topic	Page
Status Indicators for the 1756-IF8I Module	165
Status Indicators for the 1756-IRT8I Module	166
Status Indicators for the 1756-IR12 Module	166
Status Indicators for the 1756-IT16 Module	167
Status Indicators for the 1756-OF8I Module	167
Use Logix Designer Application for Troubleshooting	168
Troubleshoot Incorrect Readings on the Module	170

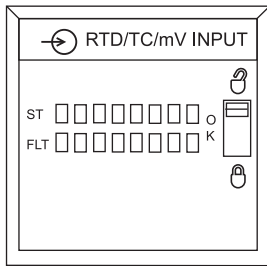
ControlLogix® analog I/O module have status indicators on the front of the module that are used to monitor module operation.

### Status Indicators for the 1756-IF8I Module



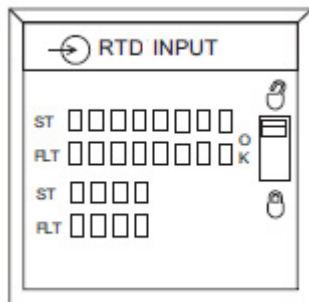
Indicator	Status	Description
OK	Steady green	The module is in a normal operating state in Run mode.
	Flashing green	The module passed internal diagnostics and is not actively controlled or the connection is open and the controller is in Program mode.
	Flashing red	Previously established communication has timed out.
	Steady red	Replace the module.
ST	Steady yellow	The channel is operating as expected.
	Flashing yellow	The channel is being calibrated.
	Off	The channel is not in use or is faulted.
FLT	Off	The channel is operating as expected or it is not in use.
	Steady red	<ul style="list-style-type: none"> <li>The channel is faulted. Possible causes of the fault include:                             <ul style="list-style-type: none"> <li>Underrange/overrange detection</li> <li>Sourcing Over Current</li> <li>CRC from ADC always Bad</li> <li>Wire off detection</li> </ul> </li> </ul> For more information on these causes see Chapter 3, <a href="#">1756-IF8I Isolated Analog Input Module on page 41</a>
	Flashing red	The channel is faulted and is being calibrated. See the previous row for more information about faults.

## Status Indicators for the 1756-IRT8I Module



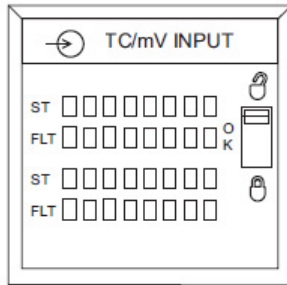
Indicator	Status	Description
OK	Steady green	The module is in a normal operating state in Run mode.
	Flashing green	The module passed internal diagnostics and is not actively controlled or the connection is open and the controller is in Program mode.
	Flashing red	Previously established communication has timed out.
	Steady red	Replace the module.
ST	Steady yellow	The channel is operating as expected.
	Flashing yellow	The channel is being calibrated.
	Off	The channel is not in use or is faulted.
FLT	Off	The channel is operating as expected or it is not in use.
	Steady red	<ul style="list-style-type: none"> <li>The channel is faulted. Some possible causes of the fault include:                             <ul style="list-style-type: none"> <li>Underrange/overrange detection</li> <li>Wire off detection</li> <li>CRC from ADC always Bad</li> </ul> </li> </ul> For more information on these causes see Chapter 4, <a href="#">Temperature-sensing Analog Modules on page 59</a>
	Flashing red	The channel is faulted channel is being calibrated. See the previous row for more information about faults.

## Status Indicators for the 1756-IR12 Module



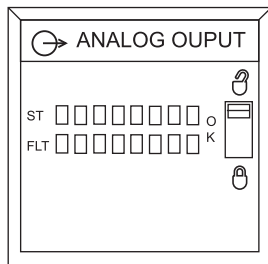
Indicator	Status	Description
OK	Steady green	The module is in a normal operating state in Run mode.
	Flashing green	The module passed internal diagnostics and is not actively controlled or the connection is open and the controller is in Program mode.
	Flashing red	Previously established communication has timed out.
	Steady red	Replace the module.
ST	Steady yellow	The channel is operating as expected.
	Flashing yellow	The channel is being calibrated.
	Off	The channel is not in use or is faulted.
FLT	Off	The channel is operating as expected or it is not in use
	Steady red	<ul style="list-style-type: none"> <li>The channel is faulted. Some possible causes of the fault include:                             <ul style="list-style-type: none"> <li>Underrange/overrange detection</li> <li>Wire off detection</li> <li>CRC from ADC always Bad</li> </ul> </li> </ul> For more information on these causes see Chapter 4, <a href="#">Temperature-sensing Analog Modules on page 59</a>
	Flashing red	The channel is faulted and is being calibrated. See the previous row for more information about faults.

## Status Indicators for the 1756-IT16 Module



Indicator	Status	Description
OK	Steady green	The module is in a normal operating state in Run mode.
	Flashing green	The module passed internal diagnostics and is not actively controlled or the connection is open and the controller is in Program mode.
	Flashing red	Previously established communication has timed out.
	Steady red	Replace the module.
ST	Steady yellow	The channel is operating as expected.
	Flashing yellow	The channel is being calibrated.
	Off	The channel is not in use or is faulted.
FLT	Off	The channel is operating as expected or it is not in use.
	Steady red	<ul style="list-style-type: none"> <li>The channel is faulted. Some possible causes of the fault include:                             <ul style="list-style-type: none"> <li>Underrange/overrange detection</li> <li>Wire off detection</li> <li>CRC from ADC always Bad</li> </ul> </li> </ul> For more information on these causes see Chapter 4, <a href="#">Temperature-sensing Analog Modules on page 59</a>
	Flashing red	The channel is faulted and is being calibrated. See the previous row for more information about faults.

## Status Indicators for the 1756-OF8I Module

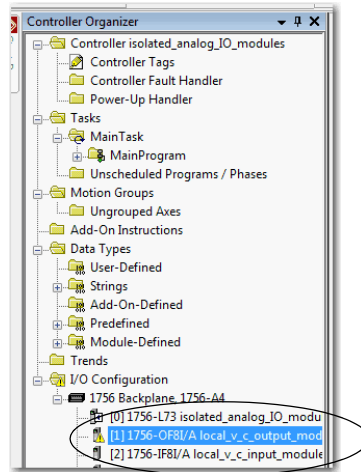


Indicator	Status	Description
OK	Steady green	The module is in a normal operating state in Run mode.
	Flashing green	The module passed internal diagnostics and is not actively controlled or the connection is open and the controller is in Program mode.
	Flashing red	Previously established communication has timed out.
	Steady red	Replace the module.
ST	Steady yellow	The channel is operating as expected.
	Flashing yellow	The channel is being calibrated.
	Off	The channel is not in use or is faulted.
FLT	Off	The channel is operating as expected or it is not in use
	Steady red	<ul style="list-style-type: none"> <li>The channel is faulted. Some possible causes of the fault include:                             <ul style="list-style-type: none"> <li>Triggered clamp alarm</li> <li>Wire off detection</li> <li>Output Data received was NotANumber</li> <li>DAC error</li> <li>CRC writing to DAC bad for last 10 attempts</li> <li>Value written to DAC does not match value read from DAC (checked once a second)</li> </ul> </li> </ul> For more information on these causes see Chapter 5, <a href="#">1756-OF8I Isolated Analog Output Module on page 89</a>
	Flashing red	The channel is faulted and is being calibrated. See the previous row for more information about faults.

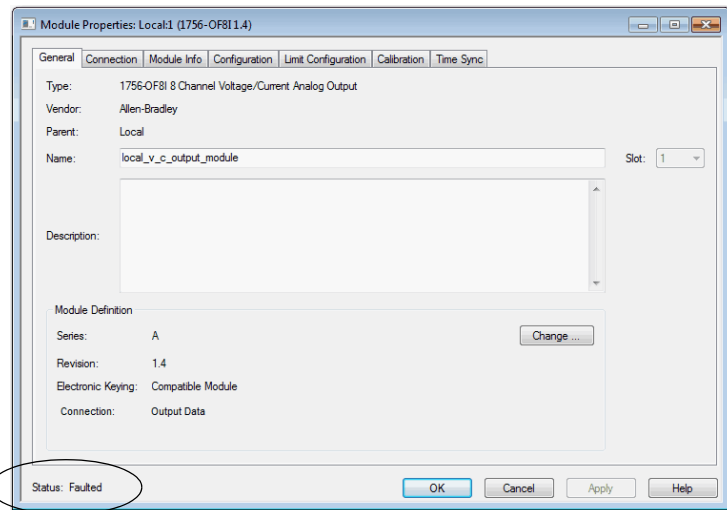
## Use Logix Designer Application for Troubleshooting

The Logix Designer application indicates fault conditions in the following ways:

- **Warning signal** on the main screen next to the module - This occurs when the connection to the module is broken.



- Message in a screen's **status line**



On the Module Info tab, in the Status section, the Major and Minor Faults are listed along with the Internal State of the module.



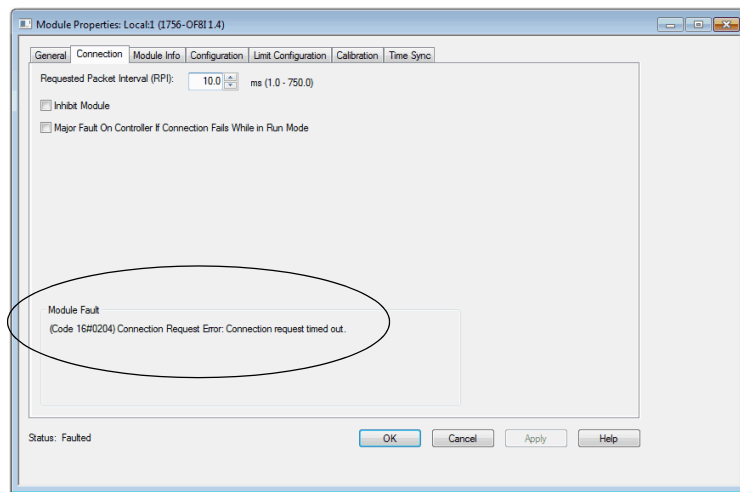
- **Notification in the Tag Editor** - General module faults are also reported in the Tag Editor. Diagnostic faults are reported only in the Tag Editor.

The Value field indicates a fault with the number 1.

Name	Value	Force Mask	Style	Data Type	Des
Local:1.C	{...}	{...}		AB:1756_OF8I:C:0	
Local:1.1	{...}	{...}		AB:1756_OF8I:I:0	
Local:1.1.Fault	2#111...		Binary	DINT	
Local:1.1.Fault.0	1		Decimal	BOOL	
Local:1.1.Fault.1	1		Decimal	BOOL	

## Fault Type Determination

When you are monitoring a module's configuration properties in the Logix Designer application and receive a Communication fault message, the Connection tab indicates the type of fault under Module Fault.



## Troubleshoot Incorrect Readings on the Module

Incorrect temperature, current, or voltage readings on temperature-sensing and current/voltage I/O modules are often considered to be the result of a module needing to be calibrated. This is typically not the case.

ControlLogix analog I/O modules are calibrated before shipment from the factory and maintain a high degree of module accuracy throughout their lifespan. Additionally, 1756-IRT8I module channels that are configured for Thermocouple inputs perform a resistance self-calibration when the module power is cycled.

The following sections describe tasks that you can use to troubleshoot your module:

- 1756-IRT8I and 1756-IT16 Modules - Incorrect Temperature Readings
- 1756-IRT8I and 1756-IR12 Modules - Incorrect RTD Readings
- 1756-IF8I Module - Incorrect Input Voltage/Current Readings
- 1756-OF8I Module - Incorrect Output Voltage/Current Readings

### 1756-IRT8I and 1756-IT16 Modules - Incorrect Temperature Readings

To determine the cause of the incorrect reading, first determine the nature of the incorrect reading. For example, the module can perform as follows:

- The module always reads maximum.
- The module always reads minimum.
- The module reads erratically (data jumping around).
- The module reads with an offset over the entire range.

First, complete the following tasks.

1. To verify that the module is powered and communicating, check the status indicators.

Red or flashing green status indicators indicate a problem. For more information on the module status indicators, [page 166](#).

2. Check the module wiring to verify the following:
  - The wiring is correct.
  - The wiring is intact.

- The CJC sensors, if being used, are installed correctly.

---

**IMPORTANT** Remember, if you choose to use CJC sensors with the module, you must use the sensors at both connection positions, that is, the top and bottom of the module.

You cannot use only one CJC sensor with the module.

For more information on using CJC sensors with the module, see [Cold Junction Compensation on page 75](#).

---

3. If the status indicators indicate that the module is communicating as expected and all module wiring is correct, complete the following tasks.
  - a. Disconnect the thermocouple from the channel in question.
  - b. Connect a thermocouple emulator directly to the channel in question.

The emulator provides voltage at the channel that is equivalent to the voltage expected for the thermocouple type it is emulating.

- If the emulator temperature report is correct, the module is performing as expected. In this case, the thermocouple and wiring are likely the cause and must be checked again.
- If the emulator temperature report is incorrect, the module hardware, configuration, or the software application are likely the cause. In this case, check the Logix Designer application project.

We **highly recommend** using a thermocouple emulator for initial troubleshooting. In lieu of an emulator, you can apply a millivolt signal to the input. The module must be configured to read a millivolt signal. If the module is reading back the millivolt correctly, then the module is performing as expected.

If the previously listed tasks fail to resolve your issue with incorrect temperature readings on your module, use the following table.

**Table 24 - Troubleshoot Incorrect Temperature Readings**

Possible Cause of Incorrect Reading	Description	Recommended Action
Open circuit	<p>A thermocouple reading maximum (upscale) usually means that there is an open circuit condition.</p> <p>The module indicates this condition through the following:</p> <ul style="list-style-type: none"> <li>The FLT status indicator for the channel becomes steady red.</li> <li>The <i>I.Ch[x].Overrange</i> tag is set to 1. <i>x</i> represents the channel number.</li> <li>If the <b>sensor type is Temperature</b>, input data from the channel changes to the highest scaled temperature value associated with the sensor type.</li> <li>If the <b>sensor type is mV</b>, the input data for the channel changes to the scaled value associated with the overrange signal value.</li> </ul>	<p>One of the following:</p> <ul style="list-style-type: none"> <li>Check the wiring, terminations, and for an open thermocouple.</li> <li>Make sure that the length of the thermocouple cable is within module specifications. Wire length that is too long has a higher impedance, and can be interpreted as an open circuit.</li> </ul>
Short-circuited input	<p>Thermocouple reading 0 mV can mean that there is a short-circuited input.</p> <p>In some applications, the thermocouple reading 0 mV is correct.</p>	Check wiring and correct terminations.
Electrical noise	Erratic readings, that is, data fluctuating more than is typical, are a product of noise. An oscilloscope shows the magnitude of noise.	<ul style="list-style-type: none"> <li>Disconnect all but one thermocouple to see if channels are affecting each other, that is, there is bleed-over.</li> <li>Eliminate or suppress the effect of noise. Employ hardware or software filters provided by the 1756-IRT8I module, such as the Notch Filter.</li> </ul>
DC signal on top of the thermocouple signal	Offset readings can be caused by a DC signal riding on top of the thermocouple signal. An oscilloscope shows the magnitude of the offset.	Disconnect all but one thermocouple to see if channels are affecting each other, that is, there is bleed-over.
Module is in calibration mode	Incorrect readings can be a result of the module being calibrated when the reading occurs.	<p>Make sure that the module is not in calibration mode.</p> <p>This symptom is module-dependant, but in general, specific bits have to be turned on to enable calibration.</p>
Temperature reading difference between maximum and minimum temperatures	<p>All input channels on a module can use the same configuration and measure the same ambient temperature.</p> <p>A temperature reading difference between upper and lower channels up to -13.33...-12.22 °C (8...10 °F), can cause incorrect readings.</p>	To improve the temperature reading, we recommend that you select remote cold junction compensation and wire to a 1492-AIFM8TC-3 IFM module.
CJC sensor is defective or installed incorrectly	Offset readings can be a result of a defective CJS or incorrect CJS properly.	Check the module input data for a CJC sensor defective diagnostic bit. Thermocouples also report back ambient temperature and provide an accurate ambient temperature if the CJC sensor is healthy, wired properly, and the module is operating within specifications.
Incorrect reading soon after module installation	<p>One of the following:</p> <ul style="list-style-type: none"> <li>Incorrect readings at initial module installation and configuration are often the result of installation and configuration errors.</li> <li>Incorrect readings at installation of an existing, previously-working module are more likely the result of a hardware failure.</li> </ul>	<p>One of the following:</p> <ul style="list-style-type: none"> <li>If the error is occurring on a new module installation and configuration, make sure that those tasks were completed corrected and correct any errors that you find.</li> <li>If the error is occurring on an existing, previously working module, diagnose the hardware failure and correct it.</li> </ul> <p>If more than one channel is experiencing the incorrect readings in this case, disconnect all thermocouples except one. This can help determine if it is external hardware or the module itself is the cause.</p>

## 1756-IRT8I and 1756-IR12 Modules - Incorrect RTD Readings

To determine the cause of the incorrect reading, first determine the nature of the incorrect reading. For example, the module can perform as follows:

- The module always reads maximum.
- The module always reads minimum.
- The module reads erratically (data jumping around).
- The module reads with an offset over the entire range.

First, complete the following tasks.

1. Check the status indicators to verify that the module is powered and communicating.

Red or flashing green status indicators indicate a problem. For more information on the module status indicators, [page 166](#).

2. Make sure wiring is intact and correct.
3. If the status indicators indicate that the module is communicating as expected and all module wiring is correct, complete the following tasks.
  - a. Disconnect the RTD from the channel in question.
  - b. Connect an RTD emulator directly to the channel in question.

The emulator provides voltage at the channel that is equivalent to the voltage expected for the RTD type it is emulating.

- If the ohms value reports back correctly then the module is performing as expected. In this case, the RTD and wiring are likely the cause and must be checked again.
- If the ohms value reports back incorrectly, the module hardware, configuration, or the software application are likely the cause. In this case, check the Logix Designer application project.

We **highly recommend** using an RTD emulator for initial troubleshooting. In lieu of an emulator, you can apply a known ohms value to the input. The module must be configured to read an ohms value. If the module is reading back the ohms correctly, then the module is performing as expected.

If the previously listed tasks fail to resolve your issue with incorrect RTD readings on your module, use the following table.

**Table 25 - Troubleshoot Incorrect RTD Readings**

Possible Cause of Incorrect Reading	Description	Recommended Action	
Wire Off	<p>When using a <b>3-wire RTD</b> device and any of the following:</p> <ul style="list-style-type: none"> <li>One wire is disconnected from any of the channel's terminals.</li> <li>Wires are disconnected from any combination of terminals:                             <ul style="list-style-type: none"> <li>IN_x(+)/A</li> <li>IN_x(-)/B</li> <li>IN_x/RTD C</li> </ul> </li> <li>All of the wires are disconnected from the channel.</li> </ul>	<p>The following occurs:</p> <ul style="list-style-type: none"> <li>Input data for the channel changes to the highest scaled temperature value associated with the selected sensor type.</li> <li>The <i>I.Ch[x].Overrange</i> tag is set to 1. x represents the channel number.</li> </ul>	<ul style="list-style-type: none"> <li>Check the wiring, terminations, and for an open wire.</li> <li>Make sure the length of the RTD cable is within module specifications. Wire length that is too long has a higher impedance, and can be interpreted as an open circuit.</li> </ul>
	<p>When using a <b>4-wire RTD</b> device and any of the following:</p> <ul style="list-style-type: none"> <li>A wire is disconnected from only terminal IN_x(-)/B.</li> <li>Wires are disconnected from any combination of the channel's terminals, that is:                             <ul style="list-style-type: none"> <li>IN_x(+)/A</li> <li>IN_x(-)/B</li> <li>IN_x/RTD C</li> <li>IN_x/RTD D</li> </ul> </li> <li><b>IMPORTANT:</b> There is one combination exception that does not apply. A wire off condition is not detected when wires are simultaneously disconnected from only IN_x/RTD C and IN_x/RTD D terminals.</li> <li>All wires are disconnected from the module.</li> </ul>	<p>If bullet 1, the following occurs:</p> <ul style="list-style-type: none"> <li>Input data for the channel changes to the lowest scaled temperature value associated with the selected sensor type.</li> <li>The <i>I.Ch[x].Underrange</i> tag is set to 1. x represents the channel number.</li> </ul> <p>If bullets 2 or 3, the following occurs:</p> <ul style="list-style-type: none"> <li>Input data for the channel changes to the highest scaled temperature value associated with the selected sensor type.</li> <li>The <i>I.Ch[x].Overrange</i> tag is set to 1. x represents the channel number.</li> </ul>	
Electrical noise	Erratic readings, that is, data fluctuating more than is typical, are a cause of noise. An oscilloscope shows the magnitude of noise.	<ul style="list-style-type: none"> <li>Disconnect all but one RTD to see if channels are affecting each other, that is, there is bleed-over.</li> <li>Eliminate or suppress the effect of noise. Employ hardware or software filters provided by the 1756-IRT8I module, such as the Notch Filter.</li> </ul>	
DC signal on top of the thermocouple signal	Offset readings can be caused by a DC signal riding on top of the thermocouple signal. An oscilloscope shows the magnitude of the offset.	Disconnect all but one RTD to see if channels are affecting each other, that is, there is bleed-over.	
Module is in calibration mode	Incorrect readings can be a result of the module being calibrated when the reading occurs.	<p>Make sure the module is not in calibration mode.</p> <p>This symptom is module dependent, but in general, specific bits have to be turned on to enable calibration.</p>	

**Table 25 - Troubleshoot Incorrect RTD Readings (continued)**

Possible Cause of Incorrect Reading	Description	Recommended Action
Incorrect reading soon after module installation	<p>One of the following:</p> <ul style="list-style-type: none"> <li>Incorrect readings at initial module installation and configuration are often the result of installation and configuration errors.</li> <li>Incorrect readings at installation of an existing, previously-working module are more likely the result of a hardware failure.</li> </ul>	<p>One of the following:</p> <ul style="list-style-type: none"> <li>If error is occurring on a new module installation and configuration, make sure that those tasks were completed corrected and correct any errors you find.</li> <li>If the error is occurring on an existing, previously-working module, diagnose the hardware failure and correct it. If more than one channel is experiencing the incorrect readings in this case, disconnect all thermocouples except one. This can help determine if it is external hardware or the module itself is the cause</li> </ul>
Grounded RTD	Due to the module's excitation current traveling on an RTD lead that is grounded there can be errant ground paths which would cause inaccuracies to the RTD measurements.	Eliminate the ground or use a signal conditioner/isolator.
Lead Compensation	An RTD sensor requires at least three leads to compensate for lead resistance error, caused by resistance mismatch. The amount of error eliminated depends upon the difference between the resistance values of the lead wires. The closer the resistance values are to each other, the greater the amount of error that is eliminated	<p>To verify that the lead resistance values match as closely as possible:</p> <ul style="list-style-type: none"> <li>use heavy gauge wire (16–18 gauge)</li> <li>keep lead distances less than 1000 feet</li> <li>use quality cable that has a small tolerance impedance rating.</li> </ul>
Sensor Offset	The software configured Sensor Offset value is summed with the input data value.	Verify that the Sensor Offset feature is desired.
Programming and Configuration	<p>One of the following:</p> <ul style="list-style-type: none"> <li>Input value read from correct data tag.</li> <li>Channel configured for correct range.</li> <li>Signal and Engineering units are set correctly and equal.</li> </ul>	If the incorrect input data value is in a secondary location, for example, an HMI device, verify the base tag value in the controller. Correct module configuration as needed.

## 1756-IF8I Module - Incorrect Input Voltage/Current Readings

To determine the cause of the incorrect reading, first determine the nature of the incorrect reading. For example, the module can perform as follows:

- The module always reads maximum.
- The module always reads minimum/zero/negative.
- The module reads voltage/current erratically (data jumping around).
- The module reads with an offset over the entire range.

First, complete the following tasks.

1. Check the status indicators to verify that the module is powered and communicating.

Red or flashing green status indicators indicate a problem. For more information on the 1756-IF8I module status indicators, [page 165](#).

2. Make sure that wiring is intact and correct, and that the current or voltage input is wired to the corresponding terminals and with proper polarity.

3. If the status indicators indicate that the module is communicating as expected and all module wiring is correct, complete the following tasks.
  - a. Disconnect the transmitter from the channel in question.
  - b. Connect a known voltage/current source directly to the module.

A known voltage/current source provides voltage/current at the channel equivalent to the voltage/current expected from the transmitter.

- If the voltage/current reports back correctly then the module is performing as expected. In this case, the transmitter or wiring are likely the cause.
- If the applied voltage/current source is not reporting back correctly, then the module hardware, configuration, or the software application are likely the cause.

We **highly recommend** using a known voltage/current source for initial troubleshooting.

If the previously listed tasks fail to resolve your issue with incorrect voltage or current readings on your module, use the following table.

**Table 26 - 1756-IF8I Module - Troubleshoot Incorrect Input Voltage/Current Readings**

Possible Cause of Incorrect Reading	Description	Recommended Action	
Open wire	When the module is used in <b>Voltage mode</b> and any of the following: <ul style="list-style-type: none"> <li>• A wire is disconnected from the module.</li> <li>• A 4-wire transmitter has no power applied.</li> </ul>	The following occurs: <ul style="list-style-type: none"> <li>• Input data for that channel changes to the scaled value associated with the <b>overrange</b> signal value of the selected operational range.</li> <li>• The <i>I.Ch[x].Overrange</i> (x=channel number) tag is set to 1.</li> </ul>	<ul style="list-style-type: none"> <li>• Check the wiring to verify that all wires are connected.</li> <li>• Verify that the 4-wire transmitter, if used, is powered.</li> </ul>
	When the module is used in <b>Current mode</b> and any of the following: <ul style="list-style-type: none"> <li>• A wire is disconnected from the module.</li> <li>• The RTB is disconnected from the module.</li> <li>• The external loop power is not wired correctly, not working or the module is configured to supply loop power and is not required.</li> <li>• The module supplied loop power is not wired correctly, not working or not configured to supply loop power when required.</li> </ul>	The following occurs: <ul style="list-style-type: none"> <li>• Input data for that channel changes to the scaled value associated with the <b>underrange</b> signal value of the selected operational range.</li> <li>• The <i>I.Ch[x].Underrange</i> (x=channel number) tag is set to 1.</li> </ul>	<ul style="list-style-type: none"> <li>• Check all wiring to verify that all wires are connected.</li> <li>• Check the RTB to verify that it is fully seated on the module.</li> <li>• If an external power source is providing loop power, verify the following:                             <ul style="list-style-type: none"> <li>– The external power source is properly wired.</li> <li>– Module configuration accurately indicates that an external power source is providing loop power.</li> </ul> </li> <li>• If the module is providing loop power internally, verify the following:                             <ul style="list-style-type: none"> <li>– The module is properly wired.</li> <li>– Module configuration accurately indicates that loop power is being supplied internally.</li> </ul> </li> </ul>
Short-circuited input	Reading the minimum can mean that there is a short-circuited input.	Check wiring and correct terminations.	
Incorrect polarity	The wiring polarity of the transmitter and loop power must match the wiring diagrams, or negative readings can result.	Check wiring polarity of the transmitter and the loop power source.	



**Table 26 - 1756-IF8I Module - Troubleshoot Incorrect Input Voltage/Current Readings (continued)**

Possible Cause of Incorrect Reading	Description	Recommended Action
Electrical noise	Erratic readings, that is, data fluctuating more than is typical, are a cause of noise. An oscilloscope shows the magnitude of noise.	<ul style="list-style-type: none"> <li>• Disconnect all but one input to see if channels are affecting each other, that is, there is bleed-over.</li> <li>• Eliminate or suppress the effect of noise. Employ hardware or software filters provided by the 1756-IF8I module, such as the Notch Filter.</li> </ul>
DC signal on top of the input signal	Offset readings can be caused by a DC signal riding on top of the input signal. An oscilloscope shows the magnitude of the offset.	Disconnect all but one input to see if channels are affecting each other, that is, there is bleed-over.
Module is in calibration mode	Incorrect readings can be a result of the module being calibrated when the reading occurs.	Make sure the module is not in calibration mode. This symptom is module dependent, but in general, specific bits have to be turned on to enable calibration.
Incorrect reading soon after module installation	<p>One of the following:</p> <ul style="list-style-type: none"> <li>• Incorrect readings at initial module installation and configuration are often the result of installation and configuration errors.</li> <li>• Incorrect readings at installation of an existing, previously-working module are more likely the result of a hardware failure.</li> </ul>	<p>One of the following:</p> <ul style="list-style-type: none"> <li>• If the error is occurring on a new module installation and configuration, make sure that those tasks were completed corrected and correct any errors you find.</li> <li>• If the error is occurring on an existing, previously-working module, diagnose the hardware failure and correct it. If more than one channel is experiencing the incorrect readings in this case, disconnect all inputs except one. This can help determine if it is external hardware or the module itself is the cause.</li> </ul>
<p>One of the following:</p> <ul style="list-style-type: none"> <li>• Short-circuit condition - Typically, caused by a short between terminal. With this module the short is between terminals IN_x/I/SRC and RTN_x (where x is the channel number).</li> <li>• Sourcing overcurrent condition - Caused by a current signal &gt;24 mA.</li> </ul>	<p>When a short-circuit or sourcing overcurrent condition exists, the module sets the input to 24 mA, that is, the equivalent engineering unit value. This value indicates a special error condition beyond the normal Overrange value, that is, 21 mA:</p> <p>The following events occur:</p> <ol style="list-style-type: none"> <li>1. For one second, the short-circuit or overcurrent condition self-corrects if the condition trigger is removed.</li> <li>2. After one second, the condition latches, the channel disables Source Loop.</li> <li>3. Current and continue to send 24 mA with an Overrange indication.</li> </ol>	<p>Check wiring and correct terminations. To unlatch the condition after the conditioning trigger is removed, perform one of the following:</p> <ul style="list-style-type: none"> <li>• Cycle power to the module.</li> <li>• Reset the module.</li> <li>• Inhibit and uninhibit the module.</li> </ul>
Sensor Offset	The software configured Sensor Offset value is summed with the input data value	Insure that the Sensor Offset feature is desired.
Programming and Configuration	<p>One of the following:</p> <ul style="list-style-type: none"> <li>• The input value is not read from correct data tag.</li> <li>• The channel is not configured for correct range.</li> <li>• The Signal and Engineering units are not set correctly.</li> </ul>	If the incorrect input data value is in a secondary location, for example, an HMI device, verify the base tag value is in the controller. Correct programming or configuration as needed.

## 1756-OF8I Module - Incorrect Output Voltage/Current Readings

To determine the cause of the incorrect reading, first determine the nature of the incorrect reading. For example, the module can perform as follows:

- The module always outputs maximum.
- The module always outputs zero.
- The module outputs a smaller value than expected.
- The module outputs erratic voltage/current data.

First, complete the following tasks.

1. Check the status indicators to verify that the module is powered and communicating.

Red or flashing green status indicators indicate a problem. For more information on the 1756-OF8I module status indicators, [page 167](#).

2. Make sure wiring is intact and correct, current or voltage input wired to the corresponding terminals and with proper polarity.
3. If the status indicators indicate that the module is communicating as expected and all module wiring is correct, complete the following tasks.
  - a. Disconnect the load from the channel in question.
  - b. Insert a resistor with the module's voltage/current output range.
  - c. With a voltmeter or in line current meter, verify that the voltage or current is as expected.
    - If the voltage/current reads correctly the module is performing as expected. In this case, the load or wiring are likely the cause.
    - If the sourcing voltage/current is not read back correctly, then the module hardware, configuration, or the software application are suspect.

If the previously listed tasks fail to resolve your issue with incorrect voltage or current readings on your module, use the following table.

**Table 27 - 1756-OF8I Module - Troubleshoot Incorrect Input Voltage/Current Readings**

Possible Cause of Incorrect Output	Description	Recommended Action
Open wire	One of the following: <ul style="list-style-type: none"> <li>The load does not respond to the applied voltage/current output.</li> <li>A wire is disconnected from the module.</li> <li>The RTB is disconnected from the module.</li> </ul>	One of the following: <ul style="list-style-type: none"> <li>Check that the load is functioning properly.</li> <li>Check wiring to verify that all wires are connected.</li> <li>Check the RTB to verify that it is fully seated on the module.</li> </ul>
Short-circuited output	Reading minimum (downscale) can mean that there is a short-circuited output. One of the following: <ul style="list-style-type: none"> <li>Output to return short.</li> <li>Short to supply power.</li> <li>Short to ground.</li> </ul>	Check wiring and correct terminations.
Electrical noise	Erratic readings, that is, data fluctuating more than is typical, are a cause of noise. An oscilloscope shows the magnitude of noise.	<ul style="list-style-type: none"> <li>Disconnect all but one output to see if channels are affecting each other, that is, there is bleed-over.</li> <li>Eliminate or suppress the effect of noise. Employ hardware or software filters provided by the 1756-OF8I module.</li> </ul>
DC signal on top of the output signal	Offset readings can be caused by a DC signal riding on top of the output signal. An oscilloscope shows the magnitude of the offset.	Disconnect all but one input to see if channels are affecting each other, that is, there is bleed-over.
Module is in calibration mode	Incorrect readings can be a result of the module being calibrated when the reading occurs.	Make sure the module is not in calibration mode. This symptom is module dependent, but in general, specific bits have to be turned on to enable calibration.
Incorrect reading soon after module installation	One of the following: <ul style="list-style-type: none"> <li>Incorrect readings at initial module installation and configuration are often the result of installation and configuration errors.</li> <li>Incorrect readings at installation of an existing, previously-working module are more likely the result of a hardware failure.</li> </ul>	One of the following: <ul style="list-style-type: none"> <li>If error is occurring on a new module installation and configuration, make sure that those tasks were completed corrected and correct any errors you find.</li> <li>If the error is occurring on an existing, previously-working module, diagnose the hardware failure and correct it. If more than one channel is experiencing the incorrect readings in this case, disconnect all outputs except one. This can help determine if it is external hardware or the module itself is the cause.</li> </ul>
Load Compatibility	The module is capable of driving current input load impedance of up to 1000 ohms. The module is capable of driving voltage input load impedance of 1000 ohms.	Verify the loop impedance of the load driven by the module.
Invalid Clamp Values	Check the Clamp values on the module configuration Limits tab. They are <b>not</b> automatically changed when the scaling engineering units are changed. If they are not changed a small value of voltage/current out results.	Change the Clamp values with respect to the scaling engineering units.
Hold for Initialization	If this feature is used, the output value does not change (hold value) until the commanded value is at the output screw terminal within 0.1% of full scale.	Verify that the Hold for Initialization feature is desired.
Channel Offset	The software configured Channel Offset value is summed with the output.	Verify that the Channel Offset feature is desired.
Programming and Configuration	One of the following: <ul style="list-style-type: none"> <li>The output value is written to the incorrect data tag.</li> <li>The channel is not configured for correct range.</li> <li>The Signal and Engineering units are not set correctly.</li> </ul>	If the incorrect output data is written from a secondary location, for example, an HMI device, verify that the output base tag value is correct in the controller. Correct programming or configuration as needed.

**Notes:**

## Analog I/O Module Tag Definitions

Topic	Page
Access the Tags	181
1756-IF8I Module Tags	183
1756-IRT8I Module Tags	189
1756-IR12 Module Tags	196
1756-IT16 Module Tags	200
1756-OF8I Module Tags	204
Redundant Owner Configuration Tags	211
Array Data Structures	212

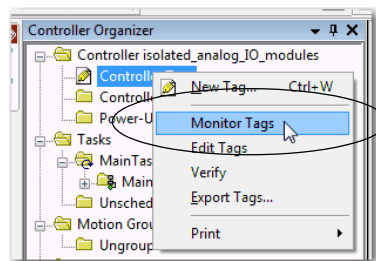
Module tags are created when you add a module to the Studio 5000 Logix Designer® application project. The set of tags that are associated with any module depends on the module type and the connection type. There are three sets of tags for each module:

- Configuration
- Input
- Output

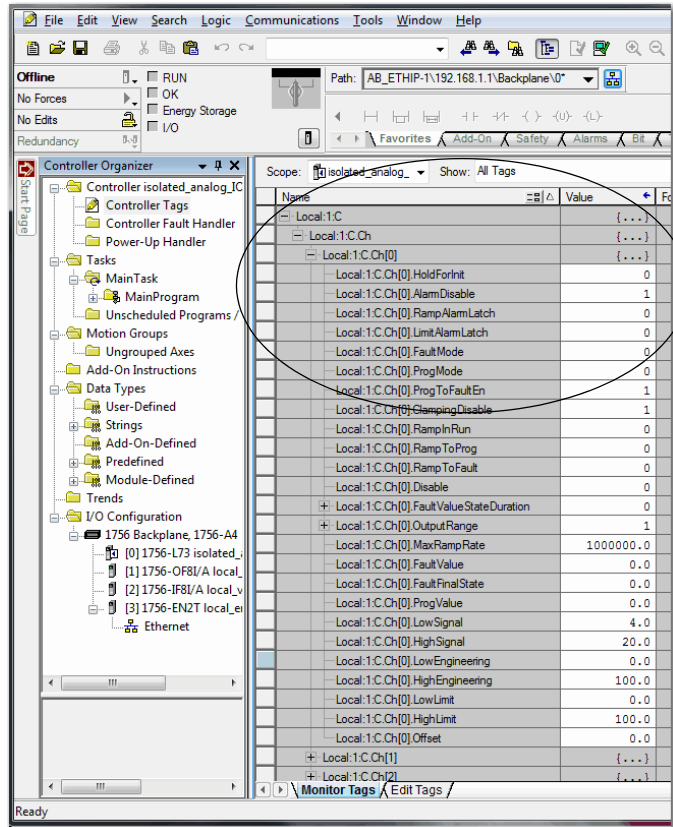
### Access the Tags

You can view tags from the Tag Editor. Complete the following steps.

1. Open your Logix Designer application project.
2. Right-click Controller Tags and choose Monitor Tags.



3. Open the tags as needed to view specific tags.



## 1756-IF8I Module Tags

This section describes the tags associated with the 1756-IF8I module.

---

**IMPORTANT** Each application's series of tags varies but no input module application contains any tags that are not listed here.

---

### Configuration Tags

The following table describes the Configuration tags associated with the 1756-IF8I module.

**Table 28 - 1756-IF8I Module - Configuration Tags**

Tag Name	Data Type	Definition	Valid Values
Ch[x].InputRange	SINT	Channel's operating range.	<ul style="list-style-type: none"> <li>• 0 = -10...10V</li> <li>• 1 = 0...5V</li> <li>• 2 = 0...10V</li> <li>• 3 = 0...20 mA (default)</li> </ul>
Ch[x].NotchFilter	SINT	Notch Filter removes line noise for the channel. There is a relationship between this setting and the RPI setting. For more information on Notch Filter, see <a href="#">page 43</a> .	<ul style="list-style-type: none"> <li>• 0 = 10 Hz</li> <li>• 1 = 50 Hz</li> <li>• 2 = 60 Hz (default)</li> <li>• 3 = 100 Hz</li> <li>• 5 = 1000 Hz</li> <li>• 6 = 20 Hz</li> <li>• 7 = 15 Hz</li> <li>• 8 = 500 Hz</li> <li>• 9 = 5000 Hz</li> <li>• 10 = 5 Hz</li> </ul>
Ch[x].AlarmDisable	BOOL	Disables all alarms on the module.	<ul style="list-style-type: none"> <li>• 0 = Enabled</li> <li>• 1 = Disabled (default)</li> </ul>
Ch[x].ProcessAlarmLatch	BOOL	Latches Process alarms. If this tag is set to latch the process alarms, the I:Ch[x].LLAlarm, I:Ch[x].LAlarm, I:Ch[x].HAlarm or I:Ch[x].HHAlarm tags do not clear until explicitly unlatched.	<ul style="list-style-type: none"> <li>• 0 = Latching disabled (default)</li> <li>• 1 = Latching enabled</li> </ul>
Ch[x].RateAlarmLatch	BOOL	Latches the Ramp alarm. If this tag is set to latch the ramp alarm, the I:Ch[x].RampAlarm tag does not clear until explicitly unlatched.	<ul style="list-style-type: none"> <li>• 0 = Latching disabled (default)</li> <li>• 1 = Latching enabled</li> </ul>
Ch[x].Disable	BOOL	Disables the channel.	<ul style="list-style-type: none"> <li>• 0 = Enabled (default)</li> <li>• 1 = Disabled</li> </ul>
Ch[x].Sourcing	BOOL	When in current mode, indicates if channel is Sinking or Sourcing.	<ul style="list-style-type: none"> <li>• 0 = Sinking (default)</li> <li>• 1 = Sourcing</li> </ul>
Ch[x].SynchronizeSampling	BOOL	Determines if the sampling of the channel is synchronized with other modules configured as synchronized.	<ul style="list-style-type: none"> <li>• 0 = Not synchronized (default)</li> <li>• 1 = Synchronized</li> </ul>
Ch[x].DigitalFilter	INT	Time Constant for First Order Lag firmware filter.	0...32,767 ms (0 = default)
Ch[x].RateAlarmLimit	REAL	Rate of change in Engineering Units/Second If the absolute value of the change between samples divided by the sample time exceeds this value, the I:Ch[x].RateAlarm tag is sets.	Any positive value 0.0 = default (This value represents no change between samples.)

**Table 28 - 1756-IF8I Module - Configuration Tags (continued)**

Tag Name	Data Type	Definition	Valid Values
Ch[x].LowSignal	REAL	Signal value that lets you scale signal units (V, mA) into Engineering Units. Corresponds to the <i>C.Ch[x].LowEngineering</i> tag. That is, this tag's value is scaled to the lowest Engineering Unit. For more information on how Signal values correspond to Engineering values, see <a href="#">page 32</a>	Any value that is less than the <i>C.Ch[x].HighSignal</i> tag value. <ul style="list-style-type: none"> <li>Current input type: 4.0 mA = default</li> <li>Voltage input type: -10.0V = default</li> </ul>
Ch[x].HighSignal	REAL	Signal scaling value that lets you scale signal units (V, mA) into Engineering Units. Corresponds to the <i>C.Ch[x].HighEngineering</i> tag. That is, this tag's value is scaled to the highest Engineering Unit. For more information on how Signal values correspond to Engineering values, see <a href="#">page 32</a>	Any value that is greater than the <i>C.Ch[x].LowSignal</i> tag value <ul style="list-style-type: none"> <li>Current input type: 20.0 mA = default</li> <li>Voltage input type: 10.0V = default</li> </ul>
Ch[x].LowEngineering	REAL	Low engineering scaling point Corresponds to the <i>C.Ch[x].LowSignal</i> tag value. For more information on how Signal values correspond to Engineering values, see <a href="#">page 32</a>	0.0 = default (In voltage applications, default = <i>C.Ch[x].LowSignal</i> tag value)
Ch[x].HighEngineering	REAL	High engineering scaling point Corresponds to the <i>C.Ch[x].HighSignal</i> tag value. For more information on how Signal values correspond to Engineering values, see <a href="#">page 32</a>	100.0 = default (In voltage applications, default = <i>C.Ch[x].HighSignal</i> tag value)
Ch[x].LLAlarmLimit	REAL	Low Low Process Alarm limit Triggers the <i>I.Ch[x].LLAlarm</i> tag when the <i>I.Ch[x].Data</i> tag value is less than this tag's value.	0.0 = default
Ch[x].LAlarmLimit	REAL	Low Process Alarm limit Triggers the <i>I.Ch[x].LAlarm</i> tag when the <i>I.Ch[x].Data</i> tag value is less than this tag's value	0.0 = default
Ch[x].HAlarmLimit	REAL	High Process Alarm Limit Triggers the <i>I.Ch[x].HAlarm</i> tag when the <i>I.Ch[x].Data</i> tag value is greater than this tag's value.	100.0 = default
Ch[x].HHAlarmLimit	REAL	High High Process Alarm Limit Triggers the <i>I.Ch[x].HHAlarm</i> tag when the <i>I.Ch[x].Data</i> tag value is greater than this tag's value.	100.0 = default
Ch[x].AlarmDeadband	REAL	Deadband that keeps Process Alarms triggered as long as the <i>I.Ch[x].Data</i> tag value remains within the deadband of the Process Alarm's value	Any non-negative value 0.0 = default



## Input Tags

The following table describes the Input tags associated with the 1756-IF8I module.

**Table 29 - 1756-IF8I Module - Input Tags**

Tag Name	Data Type	Definition	Valid Values
Fault	DINT	Standard Analog Fault mask – controller sets all 32 bits on connection loss.	<ul style="list-style-type: none"> <li>• 0000_0000= Connection is good</li> <li>• FFFF_FFFF Hex = Connection has failed</li> </ul>
CIPSyncValid	BOOL	Indicates whether the module is synchronized to a valid CIP Sync time master on the backplane.	<ul style="list-style-type: none"> <li>• 0 = CIP Sync is not available</li> <li>• 1 = CIP Sync is available</li> </ul>
CIPSyncTimeout	BOOL	Indicates whether a valid time master on the backplane has timed out.	<ul style="list-style-type: none"> <li>• 0 = A valid time master has not timed out.</li> <li>• 1 = A valid time master was detected on the backplane, but the time master has timed out. The module is currently using its local clock with old synchronized time data.</li> </ul>
CIPSyncOffsetJump	BOOL	Indicates a significant jump, that is, 1 ms or greater, in the CST and CIP Sync times sent from the Time Master to the module. (The Time Master sends the CST and CIP Sync times to the module every second.) When a significant jump occurs, this tag value becomes 1 but changes to 0 a second later unless another jump occurred. We recommend that you refresh the Diagnostic Assembly to get more data on the jump if precise time tracking is important to your application.	<ul style="list-style-type: none"> <li>• 0 = No significant jump occurred</li> <li>• 1 = Significant jump occurred</li> </ul>
Ch[x].Fault	BOOL	Indicates that channel data is inaccurate and cannot be trusted for use in the application. If the tag is set to 1, you cannot trust the data reported. You must troubleshoot the module to correct the cause of the inaccuracy.	<ul style="list-style-type: none"> <li>• 0 = Good</li> <li>• 1 = Bad</li> </ul>
Ch[x].Uncertain	BOOL	Indicates that channel data can be inaccurate but it is not known to what degree of inaccuracy. If the tag is set to 1, you know the data can be inaccurate but you can troubleshoot the module to discover what degree of inaccuracy exists.	<ul style="list-style-type: none"> <li>• 0 = Good</li> <li>• 1 = Uncertain</li> </ul>
Ch[x].Underrange	BOOL	Indicates the channel data is beneath the absolute minimum for this channel. For example, when the channel operates in the 0...20 mA input range, the underrange threshold on the channel is $\leq 3.6$ mA. If the input signal is 0 mA, this tag is set to 1.	<ul style="list-style-type: none"> <li>• 0 = Channel data is not beneath the absolute minimum</li> <li>• 1 = Channel data is beneath the absolute minimum</li> </ul>
Ch[x].Overrange	BOOL	Indicates the channel data is above the absolute maximum for this channel. For example, when the channel operates in the 0...20 mA input range, the absolute maximum on the channel is $\geq 21.0$ mA. If the input signal is 22 mA, this tag is set to 1.	<ul style="list-style-type: none"> <li>• 0 = Channel data is not above the absolute minimum</li> <li>• 1 = Channel data is above the absolute minimum</li> </ul>
Ch[x].LLAlarm	BOOL	Triggered when the <i>I.Ch[x].Data</i> tag value is less than the <i>C.Ch[x].LLAlarmLimit</i> tag value. If latched, this tag remains set until unlatched or if the <i>I.Ch[x].Data</i> tag value is within Deadband.	<ul style="list-style-type: none"> <li>• 0 = Alarm is not triggered</li> <li>• 1 = Alarm is triggered</li> </ul>
Ch[x].LAlarm	BOOL	Triggered when the <i>I.Ch[x].Data</i> tag value is less than the <i>C.Ch[x].LAlarmLimit</i> tag value. If latched, this tag remains set until unlatched or if the <i>I.Ch[x].Data</i> tag value is within Deadband.	<ul style="list-style-type: none"> <li>• 0 = Alarm is not triggered</li> <li>• 1 = Alarm is triggered</li> </ul>

**Table 29 - 1756-IF8I Module - Input Tags (continued)**

Tag Name	Data Type	Definition	Valid Values
Ch[x].HAlarm	BOOL	Triggered when the <i>I.Ch[x].Data</i> tag value is greater than the <i>C.Ch[x].HAlarmLimit</i> tag value. If latched, this tag remains set until unlatched or if the <i>I.Ch[x].Data</i> tag value is within Deadband.	<ul style="list-style-type: none"> <li>0 = Alarm is not triggered</li> <li>1 = Alarm is set</li> </ul>
Ch[x].HHAAlarm	BOOL	Triggered when the <i>I.Ch[x].Data</i> tag value is greater than the <i>C.Ch[x].HHAAlarmLimit</i> tag value. If latched, this tag remains set until unlatched or if the <i>I.Ch[x].Data</i> tag value is within Deadband.	<ul style="list-style-type: none"> <li>0 = Alarm is not triggered</li> <li>1 = Alarm is triggered</li> </ul>
Ch[x].RateAlarm	BOOL	Triggered when the absolute change between consecutive channel samples exceeds the <i>C.Ch[x].RateAlarmLimit</i> tag value. If latched, this tag remains set until it is unlatched.	<ul style="list-style-type: none"> <li>0 = Alarm is not triggered</li> <li>1 = Alarm is triggered</li> </ul>
Ch[x].CalibrationFault	BOOL	Indicates that the channel is not calibrated or the last attempted calibration for this channel failed. If the last calibration failed, this tag is cleared, that is, set to 0, when power is cycled to the module.	<ul style="list-style-type: none"> <li>0 = Calibration did not fail</li> <li>1 = Calibration failure</li> </ul>
Ch[x].Calibrating	BOOL	Indicates the channel is currently being calibrated.	<ul style="list-style-type: none"> <li>0 = Channel is not being calibrated</li> <li>1 = Channel is being calibrated</li> </ul>
Ch[x].CalGoodLowRef	BOOL	Indicates that a valid Low Reference signal has been sampled on this channel.	<ul style="list-style-type: none"> <li>0 = Valid Low Reference signal has not been sampled on this channel</li> <li>1 = Valid Low Reference signal has been sampled on this channel</li> </ul>
Ch[x].CalBadLowRef	BOOL	Indicates that an invalid Low Reference signal has been sampled on this channel. You must correct this condition to successfully calibrate the module. If calibration is aborted with an invalid Low Reference signal, the <i>I.Ch[x].CalibrationFault</i> tag is set for this channel until a successful calibration is performed or a reset or RIUP occurs.	<ul style="list-style-type: none"> <li>0 = Invalid Low Reference signal has not been sampled on this channel</li> <li>1 = Invalid Low Reference signal has been sampled on this channel</li> </ul>
Ch[x].CalGoodHighRef	BOOL	Indicates that a valid High Reference signal has been sampled on this channel.	<ul style="list-style-type: none"> <li>0 = Valid High Reference signal has not been sampled on this channel</li> <li>1 = Valid High Reference signal has been sampled on this channel</li> </ul>
Ch[x].CalBadHighRef	BOOL	Indicates that an invalid High Reference signal has been sampled on this channel. You must correct this condition to successfully calibrate the module. If calibration is aborted with an invalid High Reference signal, the <i>I.Ch[x].CalibrationFault</i> tag is set for this channel until a successful calibration is performed.	<ul style="list-style-type: none"> <li>0 = Invalid High Reference signal has not been sampled on this channel</li> <li>1 = Invalid High Reference signal has been sampled on this channel</li> </ul>
Ch[x].CalSuccessful	BOOL	Indicates calibration on this channel is complete and the Calibrating state has been exited. This tag remains set after valid calibration for 1000 samples.	<ul style="list-style-type: none"> <li>0 = Calibration was not successful</li> <li>1 = Calibration was successful and calibrating state has been exited.</li> </ul>
Ch[x].RateOfChange	REAL	Change in channel data since last sample in Engineering Units/Second.	Value representing the rate of change 0.0 = default (This value indicates no change occurred since sample.)

**Table 29 - 1756-IF8I Module - Input Tags (continued)**

Tag Name	Data Type	Definition	Valid Values
Ch[x].Data	REAL	Channel data in scaled Engineering Units.	Any positive or negative value. Determined by how you set the scaling parameters on the channel. For more information, see <a href="#">Scaling on page 32</a> .
Timestamp	DINT[2]	64-bit timestamp indicating when all 8 channels were last sampled in terms of CIPSync time.	CIPSync Timestamp data
RollingTimestamp	DINT	16-bit timestamp that 'rolls' from 0...32,767 ms. Compatible with existing PID/PIDE instructions to automatically calculate sample deltas. With this module, this PID/PIDE instruction uses the RPI because there is no RTS available. For more information on the Rolling Timestamp, see <a href="#">page 23</a> .	0...32,767 ms; where 1 ms = 1 count

## Output Tags

The following table describes the Output tags associated with the 1756-IF8I module.

**Table 30 - 1756-IF8I Module - Output Tags**

Tag Name	Data Type	Definition	Valid Values
Ch[x].LLAlarmEn	BOOL	Enables the Low Low Process alarm.	<ul style="list-style-type: none"> <li>0 = Alarm is disabled</li> <li>1 = Alarm is enabled</li> </ul>
Ch[x].LAlarmEn	BOOL	Enables the Low Process alarm.	<ul style="list-style-type: none"> <li>0 = Alarm is disabled</li> <li>1 = Alarm is enabled</li> </ul>
Ch[x].HAlarmEn	BOOL	Enables the High Process alarm.	<ul style="list-style-type: none"> <li>0 = Alarm is disabled</li> <li>1 = Alarm is enabled</li> </ul>
Ch[x].HHAlarmEn	BOOL	Enables the High High Process alarm.	<ul style="list-style-type: none"> <li>0 = Alarm is disabled</li> <li>1 = Alarm is enabled</li> </ul>
Ch[x].LLAlarmUnlatch	BOOL	<p>Unlatches a latched Low Low Alarm at the first instance of the bit transitioning from 0 to 1.</p> <p>For example, if the controller sends data for this tag in successive instances as 0, 1, 1, 1, 1, the module unlatches the Low Low alarm when it receives the first 1.</p> <p>The following instances of this tag value being 1 do not impact the Low Low alarm unlatching.</p>	<ul style="list-style-type: none"> <li>0 = LLAlarm remains latched</li> <li>1 = LLAlarm unlatches</li> </ul>
Ch[x].LAlarmUnlatch	BOOL	<p>Unlatches a latched Low Alarm at the first instance of the bit transitioning from 0 to 1.</p> <p>For example, if the controller sends data for this tag in successive instances as 0, 1, 1, 1, 1, the module unlatches the Low alarm when it receives the first 1.</p> <p>The following instances of this tag value being 1 do not impact the Low alarm unlatching.</p>	<ul style="list-style-type: none"> <li>0 = Low Alarm remains latched</li> <li>1 = Low Alarm unlatches</li> </ul>
Ch[x].HAlarmUnlatch	BOOL	<p>Unlatches a latched High Alarm at the first instance of the bit transitioning from 0 to 1.</p> <p>For example, if the controller sends data for this tag in successive instances as 0, 1, 1, 1, 1, the module unlatches the High alarm when it receives the first 1.</p> <p>The following instances of this tag value being 1 do not impact the High alarm unlatching.</p>	<ul style="list-style-type: none"> <li>0 = High Alarm remains latched</li> <li>1 = High Alarm unlatches</li> </ul>
Ch[x].HHAlarmUnlatch	BOOL	<p>Unlatches a set High High Alarm at the first instance of the bit transitioning from 0 to 1.</p> <p>For example, if the controller sends data for this tag in successive instances as 0, 1, 1, 1, 1, the module unlatches the High High alarm when it receives the first 1.</p> <p>The following instances of this tag value being 1 do not impact the High High alarm unlatching.</p>	<ul style="list-style-type: none"> <li>0 = High High Alarm remains latched</li> <li>1 = HHAlarm unlatches</li> </ul>
Ch[x].RateAlarmUnlatch	BOOL	<p>Unlatches a set Rate Alarm at the first instance of the bit transitioning from 0 to 1.</p> <p>For example, if the controller sends data for this tag in successive instances as 0, 1, 1, 1, 1, the module unlatches the Process alarm when it receives the first 1.</p> <p>The following instances of this tag value being 1 do not impact the Process alarm unlatching.</p>	<ul style="list-style-type: none"> <li>0 = Rate Alarm remains latched</li> <li>1 = Rate Alarm unlatches</li> </ul>
Ch[x].Calibrate	BOOL	<p>Initiates the Calibration process.</p> <p>This tag must remain set until a valid Low Reference and High Reference values are applied to the input.</p> <p>If the tag value transitions to 0 before calibration is finished, the process stops and calibration fails.</p>	<ul style="list-style-type: none"> <li>0 = Calibration process is not started</li> <li>1 = Calibration process is started</li> </ul>

**Table 30 - 1756-IF8I Module - Output Tags (continued)**

Tag Name	Data Type	Definition	Valid Values
Ch[x].CalLowReference	BOOL	Rising edge triggers the Low Calibration at the Low Reference Point for the current <i>C.Ch[x].InputRange</i> tag value. A valid Low Reference signal must be connected to the channel before setting this tag.	<ul style="list-style-type: none"> <li>0 = Do not sample the Low Reference Calibration Point.</li> <li>1 = Sample the Low Reference Calibration point on rising edge.</li> </ul>
Ch[x].CalHighReference	BOOL	Rising edge triggers a High Calibration at the High Reference Point for the current <i>C.Ch[x].InputRange</i> tag value. A valid High Reference signal must be connected to the channel before setting tag.	<ul style="list-style-type: none"> <li>0 = Do not sample the High Reference Calibration Point.</li> <li>1 = Sample the High Reference Calibration point on rising edge.</li> </ul>
Ch[x].SensorOffset	REAL	Compensates for any known error on the sensor or channel to which the sensor is connected.	Any (We recommend that you use a small value in the channel's operating range.) 0.0 = default

## 1756-IRT8I Module Tags

This section describes the tags associated with the 1756-IRT8I module.

---

**IMPORTANT** Each application's series of tags varies but no input module application contains any tags that are not listed here.

---

## Configuration Tags

The following table describes the Configuration tags associated with the 1756-IRT8I module.

**Table 31 - 1756-IRT8I Module - Configuration Tags**

Tag Name	Data Type	Definition	Valid Values
RemoteTermination	BOOL	Indicates CJC Sensor is connected remotely or locally. <ul style="list-style-type: none"> <li>If the CJC sensor is connected remotely, we recommend that you use an isothermal bar. With an isothermal bar, the CJC sensor is the same for all eight channels. 1492 IFMs use a built-in isothermal bar.</li> <li>If the CJC sensor is connected locally, thermal gradients exist on the RTB because heat rises. With an RTB, temperature differences exist between the CJC sensors. Correction factors are applied internally to account for the differences.</li> </ul>	<ul style="list-style-type: none"> <li>0 = CJC sensor is connected locally via the RTB</li> <li>1 = CJC sensor is connected remotely (default)</li> </ul>
CJDisable	BOOL	Removes cold junction compensation from Thermocouple calculations. By default module configuration, cold junction is compensated for each Thermocouple channel returning temperature.	<ul style="list-style-type: none"> <li>0 = CJ compensation enabled</li> <li>1 = No CJ compensation</li> </ul>
CJOffset	REAL	User-defined offset value, measure in temperature units, to add to the channel's CJC sensor reading.	Default = 0.0 C
Ch[x].InputRange	SINT	Channel's operating range.	<ul style="list-style-type: none"> <li>4 = -100...100 mV</li> <li>6 = 0...500 Ω</li> <li>7 = 0...1000 Ω</li> <li>8 = 0...2000 Ω</li> <li>9 = 0...4000 Ω</li> </ul>

**Table 31 - 1756-IRT8I Module - Configuration Tags (continued)**

Tag Name	Data Type	Definition	Valid Values
Ch[x].SensorType	SINT	Sensor type used on the channel. The Input Type connected to the channel determine the sensor type.	<p>If an RTD input type is connected to the channel:</p> <ul style="list-style-type: none"> <li>• 0 = <math>\Omega</math></li> <li>• 1 = 100<math>\Omega</math> PT 385</li> <li>• 2 = 200<math>\Omega</math> PT 385</li> <li>• 3 = 500<math>\Omega</math> PT 385</li> <li>• 4 = 1000<math>\Omega</math> PT 385</li> <li>• 5 = 100<math>\Omega</math> PT 3916</li> <li>• 6 = 200<math>\Omega</math> PT 3916</li> <li>• 7 = 500<math>\Omega</math> PT 3916</li> <li>• 8 = 1000<math>\Omega</math> PT 3916</li> <li>• 9 = 10<math>\Omega</math> CU 427</li> <li>• 10 = 120<math>\Omega</math> NI 672</li> <li>• 11 = 100<math>\Omega</math> NI 618</li> <li>• 12 = 120<math>\Omega</math> NI 618</li> <li>• 13 = 200<math>\Omega</math> NI 618</li> <li>• 14 = 500<math>\Omega</math> NI 618</li> </ul> <p>If a Thermocouple input type is connected to the channel:</p> <ul style="list-style-type: none"> <li>• 0 = mV</li> <li>• 1 = B</li> <li>• 2 = C</li> <li>• 3 = E</li> <li>• 4 = J</li> <li>• 5 = K</li> <li>• 6 = N</li> <li>• 7 = R</li> <li>• 8 = S</li> <li>• 9 = T</li> <li>• 10 = TXK/XK(L)</li> <li>• 11 = D</li> </ul>
Ch[x].NotchFilter	SINT	Notch Filter removes line noise for the channel. There is a relationship between this setting and the RPI setting. For more information on Notch Filter, see <a href="#">page 61</a> .	<ul style="list-style-type: none"> <li>• 0 = 10 Hz</li> <li>• 1 = 50 Hz</li> <li>• 2 = 60 Hz</li> <li>• 3 = 100 Hz</li> <li>• 5 = 1000 Hz</li> <li>• 6 = 20 Hz</li> <li>• 7 = 15 Hz</li> <li>• 8 = 500 Hz</li> <li>• 9 = 5000 Hz</li> <li>• 10 = 5 Hz</li> </ul>
Ch[x].AlarmDisable	BOOL	Disables all alarms on the module.	<ul style="list-style-type: none"> <li>• 0 = Enabled</li> <li>• 1 = Disabled (default)</li> </ul>
Ch[x].ProcessAlarmLatch	BOOL	Latches Process alarms. If this tag is set to latch the process alarms, the I:Ch[x].LLAlarm, I:Ch[x].LAlarm, I:Ch[x].HAlarm or I:Ch[x].HHAlarm tags do not clear until explicitly unlatched.	<ul style="list-style-type: none"> <li>• 0 = Latching disabled (default)</li> <li>• 1 = Latching enabled</li> </ul>
Ch[x].RateAlarmLatch	BOOL	Latches the Ramp alarm. If this tag is set to latch the ramp alarm, the I:Ch[x].RampAlarm tag does not clear until explicitly unlatched.	<ul style="list-style-type: none"> <li>• 0 = Latching disabled (default)</li> <li>• 1 = Latching enabled</li> </ul>
Ch[x].Disable	BOOL	Disables the channel.	<ul style="list-style-type: none"> <li>• 0 = Enabled (default)</li> <li>• 1 = Disabled</li> </ul>

**Table 31 - 1756-IRT8I Module - Configuration Tags (continued)**

Tag Name	Data Type	Definition	Valid Values
Ch[x].TempEnglish	BOOL	Used with the TempAbsolute tag for the same channel to determine the temperature units for the channel when linearizing (non-zero sensor type).	<ul style="list-style-type: none"> <li>0 = Standard (default)</li> <li>1 = English</li> </ul> <p><b>IMPORTANT:</b> The combination of this value with that of the TempAbsolute tag value determine the temperature unit used. For example, if TempEnglish = 0 and TempAbsolute = 0, the combination is 00. Thus, Celsius units are used. The following combinations are possible:</p> <ul style="list-style-type: none"> <li>00 = Celsius</li> <li>01 = Fahrenheit</li> <li>10 = Kelvin</li> <li>11 = Rankine</li> </ul>
Ch[x].TempAbsolute	BOOL	Used with the TempEnglish tag for the same channel to determine the temperature units for the channel when linearizing (non-zero sensor type).	<ul style="list-style-type: none"> <li>0 = Familiar (default)</li> <li>1 = Absolute</li> </ul> <p><b>IMPORTANT:</b> See the TempEnglish tag Valid Values description for more information on using this tag's value.</p>
Ch[x].FourWireRTD	BOOL	Sets what type of RTD, that is, 3-wire or 4-wire, is connected to the channel.	<ul style="list-style-type: none"> <li>0 = 3-wire RTD (default)</li> <li>1 = 4-wire RTD</li> </ul>
Ch[x].SynchronizeSampling	BOOL	Determines if the sampling of the channel is synchronized with other channels configured for synchronized sampling.	<ul style="list-style-type: none"> <li>0 = Not synchronized (default)</li> <li>1 = Synchronized</li> </ul>
Ch[x].TenOhmOffset	INT	Specific offset for 10 Ohm Copper Sensor Type. Value is measured in <b>Hundredths of <math>\Omega</math></b> with two implied decimal places.	-100 . . . 100 in hundredths of $\Omega$ 0 = default
Ch[x].DigitalFilter	INT	Time Constant for a First Order Lag filter.	0 . . . 32,767 ms 0 = default
Ch[x].RateAlarmLimit	REAL	Rate of change in Engineering Units/Second If the absolute value of the change between samples divided by the sample time exceeds this value, the <i>I.Ch[x].RateAlarm</i> tag is sets.	Any positive value 0.0 = default (This value represents no change between samples.)
Ch[x].LowSignal	REAL	Signal scaling value that lets you scale signal units (mV, $\Omega$ , °F or °C) into Engineering Units. Corresponds to the <i>C.Ch[x].LowEngineering</i> tag. That is, this tag's value is scaled to the lowest Engineering Unit.	Any value that is less than the <i>C.Ch[x].HighSignal</i> tag value. 0 = default
Ch[x].HighSignal	REAL	Signal scaling value that lets you scale signal units (mV, $\Omega$ , °F or °C) into Engineering Units. Corresponds to the <i>C.Ch[x].HighEngineering</i> tag. That is, this tag's value is scaled to the highest Engineering Unit.	Any value that is greater than the <i>C.Ch[x].LowSignal</i> tag value. 100.0 = default
Ch[x].LowEngineering	REAL	Low engineering scaling point Corresponds to the <i>C.Ch[x].LowSignal</i> tag value.	0.0 = default This value can correspond to signal values in units or temperature.
Ch[x].HighEngineering	REAL	High engineering scaling point Corresponds to the <i>C.Ch[x].HighSignal</i> tag value.	100.0 = default This value can correspond to signal values in units or temperature.
Ch[x].LLAlarmLimit	REAL	Low Low Process Alarm limit Triggers the <i>I.Ch[x].LLAlarm</i> tag when the <i>I.Ch[x].Data</i> tag value is less than this tag's value.	0.0 = default

**Table 31 - 1756-IRT8I Module - Configuration Tags (continued)**

Tag Name	Data Type	Definition	Valid Values
Ch[x].LAlarmLimit	REAL	Low Process Alarm limit Triggers the <i>I.Ch[x].LAlarm</i> tag when the <i>I.Ch[x].Data</i> tag value is less than this tag's value	0.0 = default
Ch[x].HAlarmLimit	REAL	High Process Alarm Limit Triggers the <i>I.Ch[x].HAlarm</i> tag when the <i>I.Ch[x].Data</i> tag value is greater than this tag's value.	100.0 = default
Ch[x].HHAlarmLimit	REAL	High High Process Alarm Limit Triggers the <i>I.Ch[x].HHAlarm</i> tag when the <i>I.Ch[x].Data</i> tag value is greater than this tag's value.	100.0 = default
Ch[x].AlarmDeadband	REAL	Deadband that keeps Process Alarms triggered as long as the <i>I.Ch[x].Data</i> tag value remains within the deadband of the Process Alarm's value	Any positive value 0.0 = default

## Input Tags

The following table describes the Input tags associated with the 1756-IRT8I module.

**Table 32 - 1756-IRT8I Module - Input Tags**

Tag Name	Data Type	Definition	Valid Values
Fault	DINT	Standard Analog Fault mask – controller sets all 32 bits on connection loss.	<ul style="list-style-type: none"> <li>• 0000_0000= Connection is good</li> <li>• FFFF_FFFF Hex = Connection has failed</li> </ul>
CIPSyncValid	BOOL	Indicates whether the module is synchronized to a valid CIP Sync time master on the backplane.	<ul style="list-style-type: none"> <li>• 0 = CIP Sync is not available</li> <li>• 1 = CIP Sync is available</li> </ul>
CIPSyncTimeout	BOOL	Indicates whether a valid time master on the backplane has timed out.	<ul style="list-style-type: none"> <li>• 0 = A valid time master has not timed out.</li> <li>• 1 = A valid time master was detected on the backplane, but the time master has timed out. The module is currently using its local clock with old synchronized time data.</li> </ul>
CIPSyncOffsetJump	BOOL	Indicates a significant jump, that is, 1 ms or greater, in the CST and CIP Sync times sent from the Time Master to the module. (The Time Master sends the CST and CIP Sync times to the module every second.)  When a significant jump occurs, this tag value becomes 1 but changes to 0 a second later unless another jump occurred.  We recommend that you refresh the Diagnostic Assembly to get more data on the jump if precise time tracking is important to your application.	<ul style="list-style-type: none"> <li>• 0 = No significant jump occurred</li> <li>• 1 = Significant jump occurred</li> </ul>
CJ[0].Underrange CJ[1].Underrange	BOOL	The cold junction at channel <i>x</i> is below 0 °C.	<ul style="list-style-type: none"> <li>• 0 = Cold junction is not below 0 °C</li> <li>• 1 = Cold junction is below 0 °C</li> </ul>
CJ[0].Overrange CJ[1].Overrange	BOOL	The cold junction at channel <i>x</i> is above 86 °C.	<ul style="list-style-type: none"> <li>• 0 = Cold junction is not above 86 °C</li> <li>• 1 = Cold junction is above 86 °C</li> </ul>
CJ[0].Data CJ[1].Data	REAL	The cold junction at the top module terminal, that is, CJ[0], or the bottom module terminal, that is, CJ[1] <i>x</i> in °C.	



**Table 32 - 1756-IRT8I Module - Input Tags (continued)**

Tag Name	Data Type	Definition	Valid Values
Ch[x].Fault	BOOL	Quality of channel data.	<ul style="list-style-type: none"> <li>0 = Good</li> <li>1 = Bad</li> </ul>
Ch[x].Uncertain	BOOL	Channel data can be imperfect.	<ul style="list-style-type: none"> <li>0 = Good</li> <li>1 = Uncertain</li> </ul>
Ch[x].Underrange	BOOL	Indicates the channel data is beneath the absolute minimum for this channel. For example, when the channel operates in the -100...100 mV input range, the absolute minimum on the channel is -101.00 mV. If the input signal is -102.00 mV, this tag is set to 1.	<ul style="list-style-type: none"> <li>0 = Channel is not beneath the absolute minimum</li> <li>1 = Channel is beneath the absolute minimum</li> </ul>
Ch[x].Overrange	BOOL	Indicates the channel data is above the absolute maximum for this channel. For example, when the channel operates in the -100...100 mV input range, the absolute maximum on the channel is 101.00 mV. If the input signal is 102.00 mV, this tag is set to 1.	<ul style="list-style-type: none"> <li>0 = Channel is not above the absolute minimum</li> <li>1 = Channel is above the absolute minimum</li> </ul>
Ch[x].LLAlarm	BOOL	Triggered when the <i>I.Ch[x].Data</i> tag value is less than the <i>C.Ch[x].LLAlarmLimit</i> tag value. If latched, this tag remains set until unlatched or if the <i>I.Ch[x].Data</i> tag value is within Deadband.	<ul style="list-style-type: none"> <li>0 = Alarm is not triggered</li> <li>1 = Alarm is triggered</li> </ul>
Ch[x].LAlarm	BOOL	Triggered when the <i>I.Ch[x].Data</i> tag value is less than the <i>C.Ch[x].LAlarmLimit</i> tag value. If latched, this tag remains set until unlatched or if the <i>I.Ch[x].Data</i> tag value is within Deadband.	<ul style="list-style-type: none"> <li>0 = Alarm is not triggered</li> <li>1 = Alarm is triggered</li> </ul>
Ch[x].HAlarm	BOOL	Triggered when the <i>I.Ch[x].Data</i> tag value is greater than the <i>C.Ch[x].HAlarmLimit</i> tag value. If latched, this tag remains set until unlatched or if the <i>I.Ch[x].Data</i> tag value is within Deadband.	<ul style="list-style-type: none"> <li>0 = Alarm is not triggered</li> <li>1 = Alarm is set</li> </ul>
Ch[x].HHAAlarm	BOOL	Triggered when the <i>I.Ch[x].Data</i> tag value is greater than the <i>C.Ch[x].HHAAlarmLimit</i> tag value. If latched, this tag remains set until unlatched or if the <i>I.Ch[x].Data</i> tag value is within Deadband.	<ul style="list-style-type: none"> <li>0 = Alarm is not triggered</li> <li>1 = Alarm is triggered</li> </ul>
Ch[x].RateAlarm	BOOL	Triggered when the absolute change between consecutive channel samples exceeds the <i>C.Ch[x].RateAlarmLimit</i> tag value. If latched, this tag remains set until it is unlatched.	<ul style="list-style-type: none"> <li>0 = Alarm is not triggered</li> <li>1 = Alarm is triggered</li> </ul>
Ch[x].CalibrationFault	BOOL	Indicates the channel is not calibrated or the last attempted calibration for this channel failed. If the last calibration failed, this tag is cleared, that is, set to 0, when power is cycled to the module.	<ul style="list-style-type: none"> <li>0 = Calibration did not fail</li> <li>1 = Calibration failure</li> </ul>
Ch[x].Calibrating	BOOL	Indicates the channel is currently being calibrated.	<ul style="list-style-type: none"> <li>0 = Channel is not being calibrated</li> <li>1 = Channel is being calibrated</li> </ul>
Ch[x].CalGoodLowRef	BOOL	Indicates that a valid Low Reference signal has been sampled on this channel.	<ul style="list-style-type: none"> <li>0 = Valid Low Reference signal has not been sampled on this channel</li> <li>1 = Valid Low Reference signal has been sampled on this channel</li> </ul>
Ch[x].CalBadLowRef	BOOL	Indicates that an invalid Low Reference signal has been sampled on this channel. You must correct this condition to successfully calibrate the module. If calibration is aborted with an invalid Low Reference signal, the <i>I.Ch[x].CalibrationFault</i> tag is set for this channel until a successful calibration is performed.	<ul style="list-style-type: none"> <li>0 = Invalid Low Reference signal has not been sampled on this channel</li> <li>1 = Invalid Low Reference signal has been sampled on this channel</li> </ul>

**Table 32 - 1756-IRT8I Module - Input Tags (continued)**

Tag Name	Data Type	Definition	Valid Values
Ch[x].CalGoodHighRef	BOOL	Indicates that a valid High Reference signal has been sampled on this channel.	<ul style="list-style-type: none"> <li>0 = Valid High Reference signal has not been sampled on this channel</li> <li>1 = Valid High Reference signal has been sampled on this channel</li> </ul>
Ch[x].CalBadHighRef	BOOL	Indicates that an invalid High Reference signal has been sampled on this channel. You must correct this condition to successfully calibrate the module. If calibration is aborted with an invalid High Reference signal, the <i>l.Ch[x].CalibrationFault</i> tag is set for this channel until a successful calibration is performed.	<ul style="list-style-type: none"> <li>0 = Invalid High Reference signal has not been sampled on this channel</li> <li>1 = Invalid High Reference signal has been sampled on this channel</li> </ul>
Ch[x].CalSuccessful	BOOL	Indicates calibration on this channel is complete and the Calibrating state has been exited. This tag remains set after valid calibration for 1000 samples.	<ul style="list-style-type: none"> <li>0 = Calibration was not successful</li> <li>1 = Calibration was successful and calibrating state has been exited.</li> </ul>
Ch[x].RateOfChange	REAL	Indicates the change in channel data since last sample in Engineering Units/Second.	Value representing the rate of change
Ch[x].Data	REAL	Indicates channel data in scaled Engineering units.	Any positive or negative value. Determined by how you set the scaling parameters on the channel. For more information, see <a href="#">Scaling on page 32</a> .
Timestamp	DINT[2]	64-bit timestamp value that indicates when all eight channels were last sampled. This value is provided in terms of CIPSync time.	CIPSync Timestamp data
RollingTimestamp	DINT	16-bit timestamp that 'rolls' from 0...32,767 ms. Compatible with existing PID/PIDE instructions to automatically calculate sample deltas. With this module, this PID/PIDE instruction uses the RPI because there is no RTS available. For more information on the Rolling Timestamp, see <a href="#">page 23</a> .	0...32,767 ms; where 1 ms = 1 count

## Output Tags

The following table describes the Output tags associated with the 1756-IRT8I module.

**Table 33 - 1756-IRT8I Module - Output Tags**

Tag Name	Data Type	Definition	Valid Values
Ch[x].LLAlarmEn	BOOL	Enables the Low Low Process alarm.	<ul style="list-style-type: none"> <li>0 = Alarm is disabled</li> <li>1 = Alarm is enabled</li> </ul>
Ch[x].LAlarmEn	BOOL	Enables the Low Process alarm.	<ul style="list-style-type: none"> <li>0 = Alarm is disabled</li> <li>1 = Alarm is enabled</li> </ul>
Ch[x].HAlarmEn	BOOL	Enables the High Process alarm.	<ul style="list-style-type: none"> <li>0 = Alarm is disabled</li> <li>1 = Alarm is enabled</li> </ul>
Ch[x].HHAlarmEn	BOOL	Enables the High High Process alarm.	<ul style="list-style-type: none"> <li>0 = Alarm is disabled</li> <li>1 = Alarm is enabled</li> </ul>

**Table 33 - 1756-IRT8I Module - Output Tags (continued)**

Tag Name	Data Type	Definition	Valid Values
Ch[x].LLAlarmUnlatch	BOOL	Unlatches a latched Low Low Alarm at the first instance of the bit transitioning from 0 to 1. For example, if the controller sends data for this tag in successive instances as 0, 1, 1, 1, 1, the module unlatches the Low Low alarm when it receives the first 1. The following instances of this tag value being 1 do not impact the Low Low alarm unlatching.	<ul style="list-style-type: none"> <li>• 0 = LLAlarm remains latched</li> <li>• 1 = LLAlarm unlatches</li> </ul>
Ch[x].LAlarmUnlatch	BOOL	Unlatches a latched Low Alarm at the first instance of the bit transitioning from 0 to 1. For example, if the controller sends data for this tag in successive instances as 0, 1, 1, 1, 1, the module unlatches the Low alarm when it receives the first 1. The following instances of this tag value being 1 do not impact the Low alarm unlatching.	<ul style="list-style-type: none"> <li>• 0 = Low Alarm remains latched</li> <li>• 1 = Low Alarm unlatches</li> </ul>
Ch[x].HAlarmUnlatch	BOOL	Unlatches a latched High Alarm at the first instance of the bit transitioning from 0 to 1. For example, if the controller sends data for this tag in successive instances as 0, 1, 1, 1, 1, the module unlatches the High alarm when it receives the first 1. The following instances of this tag value being 1 do not impact the High alarm unlatching.	<ul style="list-style-type: none"> <li>• 0 = High Alarm remains latched</li> <li>• 1 = High Alarm unlatches</li> </ul>
Ch[x].HHAlarmUnlatch	BOOL	Unlatches a latched High High Alarm at the first instance of the bit transitioning from 0 to 1. For example, if the controller sends data for this tag in successive instances as 0, 1, 1, 1, 1, the module unlatches the High High alarm when it receives the first 1. The following instances of this tag value being 1 do not impact the High High alarm unlatching.	<ul style="list-style-type: none"> <li>• 0 = High High Alarm remains latched</li> <li>• 1 = HHAlarm unlatches</li> </ul>
Ch[x].RateAlarmUnlatch	BOOL	Unlatches a latched Rate Alarm at the first instance of the bit transitioning from 0 to 1. For example, if the controller sends data for this tag in successive instances as 0, 1, 1, 1, 1, the module unlatches the Process alarm when it receives the first 1. The following instances of this tag value being 1 do not impact the Process alarm unlatching.	<ul style="list-style-type: none"> <li>• 0 = Rate Alarm remains latched</li> <li>• 1 = Rate Alarm unlatches</li> </ul>
Ch[x].Calibrate	BOOL	Initiates the Calibration process. This tag must remain set until a valid Low Reference and High Reference values are applied to the channel.	<ul style="list-style-type: none"> <li>• 0 = Calibration process is not started</li> <li>• 1 = Calibration process is started</li> </ul>
Ch[x].CalLowReference	BOOL	Rising edge triggers the Low Calibration at the Low Reference Point for the current <i>InputRange</i> tag value. A valid Low Reference signal must be connected to the channel before setting this tag.	<ul style="list-style-type: none"> <li>• 0 = Do not sample the Low Reference Calibration Point.</li> <li>• 1 = Sample the Low Reference Calibration point on rising edge.</li> </ul>
Ch[x].CalHighReference	BOOL	Rising edge triggers a High Calibration at the High Reference Point for the current <i>InputRange</i> tag value. A valid High Reference signal must be connected to the channel before setting tag.	<ul style="list-style-type: none"> <li>• 0 = Do not sample the High Reference Calibration Point.</li> <li>• 1 = Sample the High Reference Calibration point on rising edge.</li> </ul>
Ch[x].SensorOffset	REAL	Compensates for any known error on the sensor or channel to which the sensor is connected.	Any (We recommend that you use a small value in the channel's operating range.) 0.0 = default

## 1756-IR12 Module Tags

This section describes the tags associated with the 1756-IR12 module.

---

**IMPORTANT** Each application's series of tags varies but no input module application contains any tags that are not listed here.

---

### Configuration Tags

The following table describes the Configuration tags associated with the 1756-IR12 module.

**Table 34 - 1756-IR12 Module - Configuration Tags**

Tag Name	Data Type	Definition	Valid Values
Ch[x].InputRange	SINT	Indicates the channel's operating range.	<ul style="list-style-type: none"> <li>• 6 = 0...500 Ω</li> <li>• 7 = 0...1000 Ω</li> <li>• 8 = 0...2000 Ω</li> <li>• 9 = 0...4000 Ω</li> </ul>
Ch[x].SensorType	SINT	RTD sensor type used on the channel. The Input Type connected to the channel determine the sensor type	<ul style="list-style-type: none"> <li>• 0 = Ω</li> <li>• 1 = 100Ω PT 385</li> <li>• 2 = 200Ω PT 385</li> <li>• 3 = 500Ω PT 385</li> <li>• 4 = 1000Ω PT 385</li> <li>• 5 = 100Ω PT 3916</li> <li>• 6 = 200Ω PT 3916</li> <li>• 7 = 500Ω PT 3916</li> <li>• 8 = 1000Ω PT 3916</li> <li>• 9 = 10Ω CU 427</li> <li>• 10 = 120Ω NI 672</li> <li>• 11 = 100Ω NI 618</li> <li>• 12 = 120Ω NI 618</li> <li>• 13 = 200Ω NI 618</li> <li>• 14 = 500Ω NI 618</li> </ul>
Ch[x].NotchFilter	SINT	Notch Filter removes line noise for the channel. All channels have the same setting based on Channel 0 For more information on Notch Filter, see <a href="#">page 61</a> . Default = 2 (60 Hz)	<ul style="list-style-type: none"> <li>• 1 = 50 Hz</li> <li>• 2 = 60 Hz</li> <li>• 3 = 100 Hz</li> <li>• 5 = 1000 Hz</li> <li>• 6 = 20 Hz</li> <li>• 8 = 500 Hz</li> <li>• 9 = 5000 Hz</li> </ul>
Ch[x].Disable	BOOL	Disables the channel.	<p>B3</p> <ul style="list-style-type: none"> <li>• 0 = Enabled (default)</li> <li>• 1 = Disabled</li> </ul>

**Table 34 - 1756-IR12 Module - Configuration Tags (continued)**

Tag Name	Data Type	Definition	Valid Values
Ch[x].TempEnglish	BOOL	Used with the TempAbsolute tag for the same channel to determine the temperature units for the channel when linearizing (non-zero sensor type).	B4 <ul style="list-style-type: none"> <li>• 0 = Standard (default)</li> <li>• 1 = English</li> </ul> <b>IMPORTANT:</b> The combination of this value with that of the TempAbsolute tag value determine the temperature unit used. For example, if TempEnglish = 0 and TempAbsolute = 0, the combination is 00. Thus, Celsius units are used. The following combinations are possible: <ul style="list-style-type: none"> <li>• 00 = Celsius</li> <li>• 01 = Fahrenheit</li> <li>• 10 = Kelvin</li> <li>• 11 = Rankine</li> </ul>
Ch[x].TempAbsolute	BOOL	Used with the TempEnglish tag for the same channel to determine the temperature units for the channel when linearizing (non-zero sensor type).	B5 <ul style="list-style-type: none"> <li>• 0 = Familiar (default)</li> <li>• 1 = Absolute</li> </ul> <b>IMPORTANT:</b> See the TempEnglish tag Valid Values description for more information on using this tag's value.
Ch[x].TenOhmOffset	INT	Specific offset for 10 Ohm Copper Sensor Type. Value is measured in <b>Hundredths of <math>\Omega</math></b> with two implied decimal places.	-100 . . . 100 in hundredths of $\Omega$ 0 = default
Ch[x].DigitalFilter	INT	Time Constant for a First Order Lag filter.	0 . . . 32,767 ms 0 = default
Ch[x].SensorOffset	REAL	Indicates the sensor offset in either Temperature Units or Ohms to add into the Input Value to compensate for any sensor error in the system.	Any positive value 0.0 = default

## Input Tags

The following table describes the Input tags associated with the 1756-IR12 module.

**Table 35 - 1756-IR12 Module - Input Tags**

Tag Name	Data Type	Definition	Valid Values
Fault	DINT	Standard Analog Fault mask – controller sets bottom 16 bits on connection loss.	0000...0000= Connection is good
CIPSyncValid	BOOL	Indicates whether the module has synchronized to a valid CIP Sync time master on the backplane.	B0 = CIP Sync is available
CIPSyncTimeout	BOOL	Indicates whether a valid time master on the backplane has timed out.	B1 = A valid time master was detected on the backplane, but the time master has timed out. The module is currently using its local clock with old synchronized time data.
CIPSyncOffsetJump	BOOL	Indicates a significant jump, that is, 1 ms or greater, in the CST and CIP Sync times sent from the Time Master to the module. (The Time Master sends the CST and CIP Sync times to the module every second.) We recommend that you refresh the Diagnostic Assembly to get more data on the jump if precise time tracking is important to your application.	B2
Ch[x].Fault	BOOL	Indicates the quality of Input Data.	B0 • 0 = Good • 1 = Bad
Ch[x].Uncertain	BOOL	Indicates the Input Data can be imperfect.	B1 • 0 = Good • 1 = Uncertain
Ch[x].Underrange	BOOL	Input is beneath absolute minimum for this channel. If temperature, set when beneath minimum for that SensorType.	B2
Ch[x].Overrange	BOOL	Input is above absolute maximum for this channel. If temperature, set when above maximum for that SensorType.	B3
Ch[x].CalibrationFault	BOOL	Indicates the last attempted calibration for this channel failed.	B9
Ch[x].Calibrating	BOOL	Indicates the channel is currently being calibrated.	B10
Ch[x].CalGoodLowRef	BOOL	Indicates that a valid Low Reference signal has been sampled on this channel.	B11
Ch[x].CalBadLowRef	BOOL	Indicates that an invalid Low Reference signal has been sampled on this channel. You must correct this condition to successfully calibrate the module. If calibration is aborted with an invalid Low Reference signal, the <i>l.Ch[x].CalibrationFault</i> tag is set for this channel until a successful calibration is performed.	B12
Ch[x].CalGoodHighRef	BOOL	Indicates that a valid High Reference signal has been sampled on this channel.	B13

**Table 35 - 1756-IR12 Module - Input Tags (continued)**

Tag Name	Data Type	Definition	Valid Values
Ch[x].CalBadHighRef	BOOL	Indicates that an invalid High Reference signal has been sampled on this channel. You must correct this condition to successfully calibrate the module. If calibration is aborted with an invalid High Reference signal, the <i>I.Ch[x].CalibrationFault</i> tag is set for this channel until a successful calibration is performed.	B14
Ch[x].CalSuccessful	BOOL	Indicates calibration on this channel is complete and the Calibrating state has been exited. This tag remains set after valid calibration as long as connection is open.	B15
Ch[x].Data	REAL	Indicates channel data in ohms or Temperature.	Any positive or negative value. Determined by how you set the scaling parameters on the channel. For more information, see <a href="#">Scaling on page 32</a> .
Timestamp	DINT[2]	64-bit timestamp value that indicates when all eight channels were last sampled. This value is provided in terms of CIPSync time.	CIPSync Timestamp data
RollingTimestamp	DINT	16-bit timestamp that 'rolls' from 0...32,767 ms. Compatible with existing PID/PIDE instructions to automatically calculate sample deltas. With this module, this PID/PIDE instruction uses the RPI because there is no RTS available. For more information on the Rolling Timestamp, see <a href="#">page 23</a> .	0...32,767 ms; where 1 ms = 1 count

## Output Tags

The 1756-IR12 is a dedicated input module that does not contain any output data in the user connection. The module utilizes a Controlling Heartbeat for the owner or a Listening Heartbeat for a Listen-Only connection.

## 1756-IT16 Module Tags

This section describes the tags associated with the 1756-IT16 module.

---

**IMPORTANT** Each application's series of tags varies but no input module application contains any tags that are not listed here.

---

### Configuration Tags

The following table describes the Configuration tags associated with the 1756-IT16 module.

**Table 36 - 1756-IT16 Module - Configuration Tags**

Tag Name	Data Type	Definition	Valid Values
RemoteTermination	BOOL	Indicates CJC Sensor is connected remotely or locally. <ul style="list-style-type: none"> <li>If the CJC sensor is connected remotely, we recommend that you use an isothermal bar. With an isothermal bar, the CJC sensor is the same for all 8 channels. 1492 IFMs use a built-in isothermal bar.</li> <li>If the CJC sensor is connected locally, thermal gradients exist on the RTB because heat rises. With an RTB, temperature differences exist between the CJC sensors. Correction factors are applied internally to account for the differences.</li> </ul>	<ul style="list-style-type: none"> <li>0 = CJC sensor is connected locally via the RTB</li> <li>1 = CJC sensor is connected remotely (default)</li> </ul>
CJDisable	BOOL	Removes cold junction compensation from Thermocouple calculations. By default module configuration, cold junction is compensated for each Thermocouple channel returning temperature.	<ul style="list-style-type: none"> <li>0 = CJ compensation enabled</li> <li>1 = No CJ compensation</li> </ul>
CJOffset	REAL	User-defined offset value, measure in temperature units, to add to the channel's CJC sensor reading.	Default = 0.0 C
Ch[x].InputRange	SINT	Channel's operating range.	4 = -100... 100 mV
Ch[x].SensorType	SINT	Thermocouple sensor type used on the channel. The Input Type connected to the channel determine the sensor type	<ul style="list-style-type: none"> <li>0 = mV</li> <li>1 = B</li> <li>2 = C</li> <li>3 = E</li> <li>4 = J</li> <li>5 = K</li> <li>6 = N</li> <li>7 = R</li> <li>8 = S</li> <li>9 = T</li> <li>10 = TXK/XX(L)</li> <li>11 = D</li> </ul>
Ch[x].NotchFilter	SINT	Notch Filter removes line noise for the channel. All channels have the same setting based on Channel 0 For more information on Notch Filter, see <a href="#">page 61</a> . Default = 2 (60 Hz)	<ul style="list-style-type: none"> <li>1 = 50 Hz</li> <li>2 = 60 Hz</li> <li>3 = 100 Hz</li> <li>5 = 1000 Hz</li> <li>6 = 20 Hz</li> <li>8 = 500 Hz</li> <li>9 = 5000 Hz</li> </ul>
Ch[x].Disable	BOOL	Disables the channel.	<ul style="list-style-type: none"> <li>0 = Enabled (default)</li> <li>1 = Disabled</li> </ul>



**Table 36 - 1756-IT16 Module - Configuration Tags (continued)**

Tag Name	Data Type	Definition	Valid Values
Ch[x].TempEnglish	BOOL	Used with the TempAbsolute tag for the same channel to determine the temperature units for the channel when linearizing (non-zero sensor type).	<ul style="list-style-type: none"> <li>• 0 = Standard (default)</li> <li>• 1 = English</li> </ul> <p><b>IMPORTANT:</b> The combination of this value with that of the TempAbsolute tag value determine the temperature unit used. For example, if TempEnglish = 0 and TempAbsolute = 0, the combination is 00. Thus, Celsius units are used. The following combinations are possible:</p> <ul style="list-style-type: none"> <li>• 00 = Celsius</li> <li>• 01 = Fahrenheit</li> <li>• 10 = Kelvin</li> <li>• 11 = Rankine</li> </ul>
Ch[x].TempAbsolute	BOOL	Used with the TempEnglish tag for the same channel to determine the temperature units for the channel when linearizing (non-zero sensor type).	<ul style="list-style-type: none"> <li>• 0 = Familiar (default)</li> <li>• 1 = Absolute</li> </ul> <p><b>IMPORTANT:</b> See the TempEnglish tag Valid Values description for more information on using this tag's value.</p>
Ch[x].DigitalFilter	INT	Determines the time constant for a first order lag filter. Default = 0 (no filtering).	0...32,767 ms
Ch[x].SensorOffset	REAL	Sensor offset in either temperature units or mV to add into the input value to compensate for any sensor error in the system. Default = 0.0.	Any

## Input Tags

The following table describes the Input tags associated with the 1756-IT16 module.

**Table 37 - 1756-IT16 Module - Input Tags**

Tag Name	Data Type	Definition	Valid Values
Fault	DINT	Standard Analog Fault mask – controller sets bottom 16 bits on connection loss.	0000_0000= Connection is good
CIPSyncValid	BOOL	Indicates whether the module is synchronized to a valid CIP Sync time master on the backplane.	B0 = CIP Sync is not available
CIPSyncTimeout	BOOL	Indicates whether a valid time master on the backplane has timed out.	B1 = A valid time master was detected on the backplane, but the time master has timed out. The module is currently using its local clock with old synchronized time data.
CIPSyncOffsetJump	BOOL	Indicates a significant jump, that is, 1 ms or greater, in the CST and CIP Sync times sent from the Time Master to the module. (The Time Master sends the CST and CIP Sync times to the module every second.) We recommend that you refresh the Diagnostic Assembly to get more data on the jump if precise time tracking is important to your application.	B2
CJ[x].Fault	BOOL	Quality of channel data.	<ul style="list-style-type: none"> <li>• 0 = Good</li> <li>• 1 = Bad</li> </ul>
CJ[x].Uncertain	BOOL	Channel data can be imperfect.	<ul style="list-style-type: none"> <li>• 0 = Good</li> <li>• 1 = Uncertain</li> </ul>
CJ[x].Underrange	BOOL	Indicates that Cold Junction Channel x is below 0 °C.	B2
CJ[x].Overrange	BOOL	Indicates that Cold Junction Channel x is above 86 °C.	B3
CJ[0].Data	REAL	Indicates the CJ input data in °C.	
Ch[x].Fault	BOOL	Indicates the quality of Input Data.	<ul style="list-style-type: none"> <li>• 0 = Good</li> <li>• 1 = Bad</li> </ul>
Ch[x].Uncertain	BOOL	Indicates the Input Data can be imperfect.	<ul style="list-style-type: none"> <li>• 0 = Good</li> <li>• 1 = Uncertain</li> </ul>
Ch[x].Underrange	BOOL	Input is beneath absolute minimum for this channel. If temperature, set when beneath minimum for that SensorType.	B2
Ch[x].Overrange	BOOL	Input is above absolute maximum for this channel. If temperature, set when above maximum for that SensorType.	B3
Ch[x].CalibrationFault	BOOL	Indicates the last attempted calibration for this channel failed.	B9
Ch[x].Calibrating	BOOL	Indicates the channel is currently being calibrated.	B10
Ch[x].CalGoodLowRef	BOOL	Indicates that a valid Low Reference signal has been sampled on this channel.	B11
Ch[x].CalBadLowRef	BOOL	Indicates that an invalid Low Reference signal has been sampled on this channel. You must correct this condition to successfully calibrate the module. If calibration is aborted with an invalid Low Reference signal, the <i>I.Ch[x].CalibrationFault</i> tag is set for this channel until a successful calibration is performed.	B12

**Table 37 - 1756-IT16 Module - Input Tags (continued)**

Tag Name	Data Type	Definition	Valid Values
Ch[x].CalGoodHighRef	BOOL	Indicates that a valid High Reference signal has been sampled on this channel.	B13
Ch[x].CalBadHighRef	BOOL	Indicates that an invalid High Reference signal has been sampled on this channel. You must correct this condition to successfully calibrate the module. If calibration is aborted with an invalid High Reference signal, the <i>I.Ch[x].CalibrationFault</i> tag is set for this channel until a successful calibration is performed.	B14
Ch[x].CalSuccessful	BOOL	Indicates calibration on this channel is complete and the Calibrating state has been exited. This tag remains set after valid calibration as long as connection is open.	B15
Ch[x].Data	REAL	Indicates channel data in Ohms or Temperature.	Any positive or negative value. Determined by how you set the scaling parameters on the channel. For more information, see <a href="#">Scaling on page 32</a> .
Timestamp	DINT[2]	64-bit timestamp value that indicates when all eight channels were last sampled. This value is provided in terms of CIPSync time.	CIPSync Timestamp data
RollingTimestamp	DINT	16-bit timestamp that 'rolls' from 0...32,767 ms. Compatible with existing PID/PIDE instructions to automatically calculate sample deltas. With this module, this PID/PIDE instruction uses the RPI because there is no RTS available. For more information on the Rolling Timestamp, see <a href="#">page 23</a> .	0...32,767 ms; where 1 ms = 1 count

## Output Tags

The 1756-IT16 is a dedicated input module that does not contain any output data in the user connection. The module utilizes a Controlling Heartbeat for the owner or a Listening Heartbeat for a Listen-Only connection.

## 1756-OF8I Module Tags

This section describes the tags associated with the 1756-OF8I module.

---

**IMPORTANT** Each application's series of tags varies but no output module application contains any tags that are not listed here.

---

### Configuration Tags

[Table 38](#) describes the Configuration tags associated with the 1756-OF8I module.

**Table 38 - 1756-OF8I Module - Configuration Tags**

Tag Name	Data Type	Definition	Valid Values
Ch[x].HoldForNit	BOOL	When this tag is set, the channel holds the current value until the received I:Ch[x].Data tag value is within 0.1% of the current Echo O:Ch[x].Data tag value. If this tag is set to Hold, the I:Ch[x].InHold tag is triggered when the module transitions into Run mode from a Program or Fault states.	<ul style="list-style-type: none"> <li>0 = Not holding (default)</li> <li>1 = Holding</li> </ul>
Ch[x].AlarmDisable	BOOL	Disables all alarms on the module.	<ul style="list-style-type: none"> <li>0 = Alarms Enabled</li> <li>1 = Alarms Disabled (default)</li> </ul>
Ch[x].RampAlarmLatch	BOOL	Latches the Ramp alarm. If this tag is set to latch the ramp alarm, the I:Ch[x].RampAlarm tag does not clear until explicitly unlatched.	<ul style="list-style-type: none"> <li>0 = Latching disabled (default)</li> <li>1 = Latching enabled</li> </ul>
Ch[x].LimitAlarmLatch	BOOL	Latches the Low alarm and the High alarms. If this tag is set to latch the alarms, the I:Ch[x].LLimitAlarm and I:Ch[x].HLimitAlarm tags do not clear until explicitly unlatched.	<ul style="list-style-type: none"> <li>0 = Latching disabled (default)</li> <li>1 = Latching enabled</li> </ul>
Ch[x].FaultMode	BOOL	Determines channel action when a fault occurs, for example, a connection loss. At the fault occurrence, the module holds its last state or transitions to the channel value used in the C:Ch[x].FaultValue tag. If configured to Hold Last State, the channel Holds Last State for the length of time set by the C:Ch[x].FaultValueStateDuration tag.	<ul style="list-style-type: none"> <li>0 = Hold Last State (default)</li> <li>1 = Transition to fault channel value</li> </ul>
Ch[x].ProgMode	BOOL	Determines channel action when the module transitions to Program mode. At the transition to Program mode, the module holds its last state or transitions to the channel value used in the C:Ch[x].ProgValue tag.	<ul style="list-style-type: none"> <li>0 = Hold Last State (default)</li> <li>1 = Transition to program channel value</li> </ul>
Ch[x].ProgToFaultEn	BOOL	Determines channel action if a connection faults while the module is in a safe state for Program mode. The channel can remain in the safe state for Program mode or transition to a safe state for Fault mode. If the channel remains in safe state for Program mode, the C:Ch[x].FinalFaultState tag value is ignored.	<ul style="list-style-type: none"> <li>0 = Channel remains in the safe state for Program mode</li> <li>1 = Channel transitions to the safe state for the Fault mode</li> </ul>
Ch[x].ClampingDisable	BOOL	Disables Clamping on the channel.	<ul style="list-style-type: none"> <li>0 = Clamping enabled</li> <li>1 = Clamping disabled (default)</li> </ul>
Ch[x].RampInRun	BOOL	Enables Output Ramping when the module is in Run mode. Output changes during Run mode are limited to the C:Ch[x].MaxRampRate tag value.	<ul style="list-style-type: none"> <li>0 = Ramping disabled (default)</li> <li>1 = Ramping enabled in Run mode</li> </ul>

**Table 38 - 1756-0F8I Module - Configuration Tags (continued)**

Tag Name	Data Type	Definition	Valid Values
Ch[x].RampToProg	BOOL	Enables Output Ramping when the channel is transitioning to Program mode. Output changes during Program mode are limited to the <i>C.Ch[x].MaxRampRate</i> tag value.	<ul style="list-style-type: none"> <li>0 = Ramping disabled (default)</li> <li>1 = Ramping enabled to Program mode state</li> </ul>
Ch[x].RampToFault	BOOL	Enables Output Ramping when the channel is transitioning to Fault mode. Output changes during Fault mode are limited to the <i>C.Ch[x].MaxRampRate</i> tag value.	<ul style="list-style-type: none"> <li>0 = Ramping disabled (default)</li> <li>1 = Ramping enabled to Fault mode state</li> </ul>
Ch[x].Disable	BOOL	Disables the channel.	<ul style="list-style-type: none"> <li>0 = Channel enabled (default)</li> <li>1 = Channel disabled</li> </ul>
Ch[x].FaultValueStateDuration	SINT	Determines the length of time the <i>C.Ch[x].FaultValue</i> tag value is held prior to the <i>C.Ch[x].FaultFinalState</i> being applied.	<ul style="list-style-type: none"> <li>0 = Hold forever (default)</li> <li>Any of the following: <ul style="list-style-type: none"> <li>1, 2, 5, or 10 seconds</li> </ul> </li> </ul>
Ch[x].OutputRange	SINT	Channel's operating range.	<ul style="list-style-type: none"> <li>0 = -10...10V</li> <li>1 = 0...20 mA (default)</li> <li>2 = 0...5V</li> <li>3 = 0...10V</li> </ul>
Ch[x].MaxRampRate	REAL	Maximum rate at which the channel can transition the output in Engineering Units/Second. This tag is used only if at least one of the following tags is enabled: <ul style="list-style-type: none"> <li><i>C.Ch[x].RampInRun</i></li> <li><i>C.Ch[x].RampToFault</i></li> <li><i>C.Ch[x].RampToProgram</i></li> </ul>	Any value > 0.0 1,000,000.00 = default
Ch[x].FaultValue	REAL	Value to which the channel changes if the following events exist: <ul style="list-style-type: none"> <li>Connection is lost</li> <li><i>C.Ch[x].FaultMode</i> tag is enabled</li> </ul>	Any 0.0 = default
Ch[x].FaultFinalState	REAL	Value to which the channel changes if the following events exist: <ul style="list-style-type: none"> <li>Connection is lost</li> <li>Time defined by the <i>C.Ch[x].FaultValueStateDuration</i> tag has been exceeded</li> </ul>	Any 0.0 = default
Ch[x].ProgValue	REAL	Value to which the channel changes if the following events exist: <ul style="list-style-type: none"> <li>Module transitions to Program mode</li> <li><i>C.Ch[x].ProgMode</i> tag is enabled</li> </ul>	Any 0.0 = default
Ch[x].LowSignal	REAL	Signal value that lets you scale signal units (V, mA) into Engineering Units. Corresponds to the <i>C.Ch[x].LowEngineering</i> tag. That is, this tag's value is scaled to the lowest Engineering Unit.	Any value less than the <i>C.Ch[x].HighSignal</i> tag value. Current input type: 4.0 = default Voltage input type: -10.0 = default
Ch[x].HighSignal	REAL	Signal scaling value that lets you scale signal units (V, mA) into Engineering Units. Corresponds to the <i>C.Ch[x].HighEngineering</i> tag. That is, this tag's value is scaled to the highest Engineering Unit.	Any value greater than the <i>C.Ch[x].LowSignal</i> tag value Current input type: 20.0 = default Voltage input type: 10.0 = default
Ch[x].LowEngineering	REAL	Low engineering scaling point Corresponds to the <i>C.Ch[x].LowSignal</i> tag value.	Any lower than the <i>C.Ch[x].HighEngineering</i> tag Default values: <ul style="list-style-type: none"> <li>0.0 for current</li> <li>-10.0 for voltage</li> </ul>
Ch[x].HighEngineering	REAL	High engineering scaling point Corresponds to the <i>C.Ch[x].HighSignal</i> tag value.	Any higher than the <i>C.Ch[x].LowEngineering</i> tag Default values: <ul style="list-style-type: none"> <li>100.0 for current</li> <li>10.0 for voltage</li> </ul>

**Table 38 - 1756-OF8I Module - Configuration Tags (continued)**

Tag Name	Data Type	Definition	Valid Values
Ch[x].LowLimit	REAL	LowLimit setpoint below which the output cannot go when Clamping is enabled.	Any lower than the HighLimit 0.0 = default
Ch[x].HighLimit	REAL	HighLimit setpoint above which the output cannot go when Clamping is enabled.	Any higher than the LowLimit 0.0 = default
Ch[x].Offset	REAL	Compensates for any known error on the sensor or channel to which the sensor is connected. The value is set in signal units.	Any (We recommend that you use a small value.) 0.0 = default

## Input Tags

[Table 39](#) describes the Input tags associated with the 1756-OF8I module.

**Table 39 - 1756-OF8I Module - Input Tags**

Tag Name	Data Type	Definition	Valid Values
CIPSyncValid	BOOL	Indicates whether the module is synchronized to a valid CIP Sync time master on the backplane.	<ul style="list-style-type: none"> <li>0 = CIP Sync is not available</li> <li>1 = CIP Sync is available</li> </ul>
CIPSyncTimeout	BOOL	Indicates whether a valid time master on the backplane has timed out.	<ul style="list-style-type: none"> <li>0 = A valid time master has not timed out.</li> <li>1 = A valid time master was detected on the backplane, but the time master has timed out. The module is currently using its local clock and can be drifting away from the last known time master.</li> </ul>
CIPSyncOffsetJump	BOOL	Indicates a significant jump, that is, 1 ms or greater, in the CST and CIP Sync times sent from the Time Master to the module. (The Time Master sends the CST and CIP Sync times to the module every second.) When a significant jump occurs, this tag value becomes 1 but changes to 0 a second later unless another jump occurred. We recommend that you refresh the Diagnostic Assembly to get more data on the jump if precise time tracking is important to your application.	<ul style="list-style-type: none"> <li>0 = No significant jump occurred</li> <li>1 = Significant jump occurred</li> </ul>
Ch[x].Fault	BOOL	Quality of channel data.	<ul style="list-style-type: none"> <li>0 = Good</li> <li>1 = Bad</li> </ul>
Ch[x].Uncertain	BOOL	Channel data can be imperfect.	<ul style="list-style-type: none"> <li>0 = Good</li> <li>1 = Uncertain</li> </ul>
Ch[x].LowClampAlarm	BOOL	Channel data value that causes the channel to clamp in the following conditions: <ul style="list-style-type: none"> <li>Clamping is enabled on this channel, that is, the <i>C.Ch[x].ClampingDisable</i> tag value = 0</li> <li><i>0.Ch[x].Data</i> tag value requested is less than the value configured in the <i>C.Ch[x].LowLimit</i> tag</li> </ul>	<ul style="list-style-type: none"> <li>0 = Channel is not clamped</li> <li>1 = Channel is clamped</li> </ul>
Ch[x].HighClampAlarm	BOOL	Channel data value that causes the channel to clamp in the following conditions: <ul style="list-style-type: none"> <li>Clamping is enabled on this channel, that is, the <i>C.Ch[x].ClampingDisable</i> tag value = 0</li> <li><i>0.Ch[x].Data</i> tag value requested is greater than the value configured in the <i>C.Ch[x].HighLimit</i> tag</li> </ul>	<ul style="list-style-type: none"> <li>0 = Channel is not clamped</li> <li>1 = Channel is clamped</li> </ul>

**Table 39 - 1756-0F8I Module - Input Tags (continued)**

Tag Name	Data Type	Definition	Valid Values
Ch[x].RampAlarm	BOOL	Indicates that the channel is currently limited to changing at the <i>C.Ch[x].MaxRampRate</i> tag value or is latched.	<ul style="list-style-type: none"> <li>0 = Channel is not limited to the <i>C.Ch[x].MaxRampRate</i> tag value or latched</li> <li>1 = channel is limited</li> </ul>
Ch[x].NotANumber	BOOL	Indicates that the last value last received for the <i>O.Ch[x].Data</i> tag was not a number.	<ul style="list-style-type: none"> <li>0 = Last channel data received was a number</li> <li>1 = Last channel data received was not a number</li> </ul>
Ch[x].InHold	BOOL	Indicates that the channel is currently holding until the received <i>O.Ch[x].Data</i> tag value is within 0.1% of the current <i>I.Ch[x].Data</i> tag value.	<ul style="list-style-type: none"> <li>0 = Channel is not holding</li> <li>1 = Channel is holding</li> </ul>
Ch[x].CalibrationFault	BOOL	Indicates that the channel is not calibrated or the last attempted calibration for this channel failed. If the last calibration failed, this tag is cleared, that is, set to 0, when power is cycled to the module.	<ul style="list-style-type: none"> <li>0 = Calibration did not fail</li> <li>1 = Calibration failure</li> </ul>
Ch[x].Calibrating	BOOL	Indicates the channel is currently being calibrated.	<ul style="list-style-type: none"> <li>0 = Channel is not being calibrated</li> <li>1 = Channel is being calibrated</li> </ul>
Ch[x].CalGoodLowRef	BOOL	Indicates that a valid Low Reference value has been received on the channel.	<ul style="list-style-type: none"> <li>0 = Valid Low Reference value has not been received on this channel</li> <li>1 = Valid Low Reference value has been received on this channel</li> </ul>
Ch[x].CalBadLowRef	BOOL	Indicates that invalid Low Reference data has been received on this channel. You must correct this condition to successfully calibrate the module. If calibration is aborted with an invalid Low Reference signal, the <i>I.Ch[x].CalibrationFault</i> tag is set for this channel until a successful calibration is performed or the module is Reset or RIUP'ed.	<ul style="list-style-type: none"> <li>0 = Invalid Low Reference value has not been received on this channel</li> <li>1 = Invalid Low Reference value has been received on this channel</li> </ul>
Ch[x].CalGoodHighRef	BOOL	Indicates that a valid High Reference value has been received on this channel.	<ul style="list-style-type: none"> <li>0 = Valid High Reference value has not been received on this channel</li> <li>1 = Valid High Reference value has been received on this channel</li> </ul>
Ch[x].CalBadHighRef	BOOL	Indicates that an invalid High Reference value has been received on this channel. You must correct this condition to successfully calibrate the module. If calibration is aborted with an invalid High Reference value, the <i>I.Ch[x].CalibrationFault</i> tag is set for this channel until a successful calibration is performed or the module is Reset or RIUP'ed.	<ul style="list-style-type: none"> <li>0 = Invalid High Reference value has not been received on this channel</li> <li>1 = Invalid High Reference value has been received on this channel</li> </ul>
Ch[x].CalSuccessful	BOOL	Indicates calibration on this channel is complete and the Calibrating state has been exited. This tag remains set after valid calibration as long as connection is open.	<ul style="list-style-type: none"> <li>0 = Calibration was not successful</li> <li>1 = Calibration was successful and calibrating state has been exited.</li> </ul>
Ch[x].Data	REAL	Output Data Echo data in scaled Engineering units.	Any positive or negative value. Determined by how you set the scaling parameters on the channel. For more information, see <a href="#">Scaling on page 32</a> .

**Table 39 - 1756-OF8I Module - Input Tags (continued)**

Tag Name	Data Type	Definition	Valid Values
Fault	DINT	Standard Analog Fault mask – controller sets all 32 bits on connection loss.	<ul style="list-style-type: none"> <li>• 0000_0000= Connection is good</li> <li>• FFFF_FFFF Hex = Connection has failed</li> </ul>
OwnerActive	BOOL	Owner Active—Indicates that the output has a controlling owner.	B4
OwnerID	BOOL	Owner ID—Indicates which owner is active (controlling): 0 = Owner A 1 = Owner B	B5
OwnerAConnected	BOOL	Owner A Connected—Indicates that Owner A is connected.	B6
OwnerAClaim	BOOL	Owner A Claim—Indicates that Owner A is claiming outputs (COO).	B7
OwnerAReady	BOOL	Owner A Ready—Indicates that Owner A is Ready to claim outputs (ROO).	B8
OwnerBConnected	BOOL	Owner B Connected—Indicates that Owner B is connected.	B9
OwnerBClaim	BOOL	Owner B Claim—Indicates that Owner B is claiming outputs (COO).	B10
OwnerBReady	BOOL	Owner B Ready—Indicates that Owner B is Ready to claim outputs (ROO).	B11
RollingTimestamp	DINT	16-bit timestamp that ‘rolls’ from 0 . . . 32,767 ms. Compatible with existing PID instruction to automatically calculate sample deltas. For more information on the Rolling Timestamp, see <a href="#">page 23</a> .	0 . . . 32,767 ms where 1 ms = 1 count
Timestamp	DINT[2]	64-bit timestamp value that indicates when any of the 8 channels were last updated with new Output Data. This value is provided in terms of CIPSync time.	Timestamp data



## Output Tags

[Table 40](#) describes the Output tags associated with the 1756-OF8I module.

**Table 40 - 1756-OF8I Module - Output Tags**

Tag Name	Data Type	Definition	Valid Values
Ch[x].LLimitUnlatch	BOOL	Unlatches a latched Low Limit alarm at the first instance of the bit transitioning from 0 to 1. For example, if the controller sends data for this tag in successive instances as 0, 1, 1, 1, 1, the module unlatches the Low Limit alarm when it receives the first 1. The following instances of this tag value being 1 do not impact the Low Limit alarm unlatching.	<ul style="list-style-type: none"> <li>0 = Alarm remains latched (default)</li> <li>1 = Alarm is unlatched</li> </ul>
Ch[x].HLimitUnlatch	BOOL	Unlatches a latched High Limit alarm at the first instance of the bit transitioning from 0 to 1. For example, if the controller sends data for this tag in successive instances as 0, 1, 1, 1, 1, the module unlatches the High Limit alarm when it receives the first 1. The following instances of this tag value being 1 do not impact the High Limit alarm unlatching.	<ul style="list-style-type: none"> <li>0 = Alarm remains latched (default)</li> <li>1 = Alarm is unlatched</li> </ul>
Ch[x].RampAlarmUnlatch	BOOL	Unlatches a latched Ramp alarm at the first instance of the bit transitioning from 0 to 1. For example, if the controller sends data for this tag in successive instances as 0, 1, 1, 1, 1, the module unlatches the Ramp alarm when it receives the first 1. The following instances of this tag value being 1 do not impact the Ramp alarm unlatching.	<ul style="list-style-type: none"> <li>0 = Alarm remains latched (default)</li> <li>1 = Alarm is unlatched</li> </ul>
Ch[x].Calibrate	BOOL	Initiates the Calibration process. This tag must remain set until a valid Low Reference and High Reference values are sent to the channel.	<ul style="list-style-type: none"> <li>0 = Calibration process is not started (default)</li> <li>1 = Calibration process is started</li> </ul>
Ch[x].CalOutputLowRef	BOOL	When set, the channel produces the Low Calibration Reference Point for the current <i>C.Ch[x].OutputRange</i> tag value.	<ul style="list-style-type: none"> <li>0 = Do not output Cal Low Reference</li> <li>1 = Output Calibration Low Reference</li> </ul> <p>Do not set this tag and the CalOutputHighRef tag to 1 simultaneously.</p>

**Table 40 - 1756-OF8I Module - Output Tags (continued)**

Tag Name	Data Type	Definition	Valid Values
Ch[x].CalOutputHighRef	BOOL	When set, the channel produces the High Calibration Reference Point for the current <i>C.Ch[x].OutputRange</i> tag value.	<ul style="list-style-type: none"> <li>0 = Do not Output Cal High Reference</li> <li>1 = Output Calibration High Reference Signal</li> </ul> Do not set this tag and the CalOutputLowRef tag to 1 simultaneously.
Ch[x].CalLowRefPassed	BOOL	Data value change that indicates that the <i>O.Ch[x].Data</i> tag contains the recorded Low Reference value for the channel that is used by the module in Calibration.	<ul style="list-style-type: none"> <li>0 = Not sending Recorded Cal Low Ref</li> <li>1 = Sending Recorded Cal Low Reference in Output Data for Calibration Verification</li> </ul>
Ch[x].CalHighRefPassed	BOOL	Data value change that indicates that the <i>O.Ch[x].Data</i> tag contains the recorded High Reference value for the channel that is used by the module in Calibration.	<ul style="list-style-type: none"> <li>0 = Not sending Cal High Reference</li> <li>1 = Sending recorded Calibration High Reference Signal in Output Data for Calibration Verification</li> </ul>
Ch[x].CalFinishCalibration	BOOL	Data value change that triggers the channel to complete the Calibration procedure, applying the Valid Low and High References received. Channel exits the Calibration state if successful.	<ul style="list-style-type: none"> <li>0 = Channel not triggered to complete the calibration procedure</li> <li>1 = Channel triggered to complete the calibration procedure</li> </ul>
Ch[x].Data	REAL	Channel data in scaled Engineering Units.	Any positive or negative value. Determined by how you set the scaling parameters on the channel. For more information, see <a href="#">Scaling on page 32</a> .

## Redundant Owner Configuration Tags

The redundant owner configuration tags are identical to the existing 1756-OF8I configuration.

### Redundant Owner Input Tag Layout

We added eight Input tags to the existing Input data layout. The bit tag field, *PartnerBits*, increased from 2 bits to 10 bits to cover OwnerActive, Owner ID, and Active/Claim/Ready status for the A and B controllers.

**Table 41 - New Redundant Input Tag Description – 1756-OF8I**

Field	Data Type	Legal Values	Usage
OwnerActive	BOOL	B4	The Output has a Controlling Owner
OwnerID	BOOL	B5	Which Owner is Active (Controlling): 0 = Owner A 1 = Owner B
OwnerAConnected	BOOL	B6	Owner A is Connected.
OwnerAClaim	BOOL	B7	Owner A is claiming Outputs (COO).
OwnerAReady	BOOL	B8	Owner A is Ready to claim Outputs (ROO).
OwnerBConnected	BOOL	B9	Owner B is Connected.
OwnerBClaim	BOOL	B10	Owner B is claiming Outputs (COO).
OwnerBReady	BOOL	B11	Owner B is Ready to claim Outputs (ROO).

### Redundant Owner Output Tag Layout

We added two Input tags in the Output data: a BOOL to reflect the COO bit and another for the ROO bit.

**Table 42 - New Redundant Output Tag Description – 1756-OF8I**

Field	Data Type	Legal Values	Usage
OwnerClaim	BOOL	B0  0 = Not Requesting Ownership 1 = Claim Ownership	When set, indicates that the controller wants to Claim Ownership of the redundant connection and have its outputs actively used. <ul style="list-style-type: none"> <li>If both Redundant Owners have COO set, the last originator application that transitioned its COO flag from reset to set shall be the owner.</li> </ul> <p><b>NOTE:</b> Only a Rx'd 0 to a 1 and not just the receipt of a new connection is considered such a transition.</p> <ul style="list-style-type: none"> <li>If neither Redundant Owner has COO set, then the highest ROO becomes Owner.</li> </ul>
OwnerReady	BOOL	B1  0 = Not Ready to Own 1 = Ready to Own	Indicates the controller's readiness for output ownership. A value of 1 indicates ready while 0 indicates the controller is not ready to own the outputs. <ul style="list-style-type: none"> <li>If neither controller has the COO bit set, the ROO determines the current owner.</li> <li>If both controllers have COO=0 and ROO=0, then the outputs go to IDLE (Program mode).</li> <li>If both controllers have COO=0 and ROO=1, OwnerA will be active.</li> </ul>

## Array Data Structures

Fast digital I/O modules use an array data structure. In this type of structure, all the tags for a particular point are organized under that point. For example, in [Figure 33](#), all of the tags that appear under point 0 also appear under points 1...15 for the input module in slot 1. With this structure, you can copy or access all of the data for a particular point by simply referencing or copying the point or alias for the point, such as Pt[3] or PressureValveTank3.

**Figure 33 - Array Data Structure**

[-] Local:1:I.Pt	{...}
[-] Local:1:I.Pt[0]	{...}
[-] Local:1:I.Pt[0].Data	0
[-] Local:1:I.Pt[0].Fault	0
[-] Local:1:I.Pt[0].NewDataOffOn	0
[-] Local:1:I.Pt[0].NewDataOnOff	0
[-] Local:1:I.Pt[0].TimestampDropped	0
[-] Local:1:I.Pt[0].CIPSyncValid	0
[-] Local:1:I.Pt[0].CIPSyncTimeout	0
[-] Local:1:I.Pt[0].InputOverrideStatus	0
[-] Local:1:I.Pt[0].Timestamp	{...}
[-] Local:1:I.Pt[0].Timestamp.OffOn	{...}
[-] Local:1:I.Pt[0].Timestamp.OnOff	{...}
[+] Local:1:I.Pt[1]	{...}
[+] Local:1:I.Pt[2]	{...}

Other digital I/O modules use a flat data structure. In this type of structure, only one instance of a tag exists for a module. For example, in [Figure 34](#), only one instance of each tag appears under the input module in slot 3. To reference or copy data for an individual point, you specify the tag name followed by a bit number, such as Data.0 or EventOverflow.3. Unlike an array structure where all the data for a point can be accessed via a single tag reference, a flat structure requires multiple tag references to access all the data for a point.

**Figure 34 - Flat Data Structure**

[-] Local:3:I	{...}
[+] Local:3:I.Fault	2#1111_1111_1111_1111_1111_1111_1111_1111
[+] Local:3:I.Data	2#0000_0000_0000_0000_0000_0000_0000_0000
[+] Local:3:I.NewData	2#0000_0000_0000_0000_0000_0000_0000_0000
[+] Local:3:I.EventOverflow	2#0000_0000_0000_0000_0000_0000_0000_0000
[-] Local:3:I.ReturningUCTTime	0
[-] Local:3:I.ReturningCIPSyncTime	0
[-] Local:3:I.CIPSyncValid	0
[-] Local:3:I.CIPSyncTimeout	0
[+] Local:3:I.EventNumber	0
[+] Local:3:I.LocalClockOffset	{...}
[+] Local:3:I.OffsetTimestamp	{...}
[+] Local:3:I.Timestamp	{...}

The 1756-OF8I module uses either type of data structure depending on how you configure the module. For more information, see [page 204](#).

## Choose the Correct Power Supply

### Power-sizing Chart

You can determine the power that modules contained in a ControlLogix® chassis are consuming to maintain an adequate power supply.

An interactive spreadsheet is available that lets you enter a chassis configuration and automatically calculates the total power supply consumption. The total power supply consumption cannot exceed 75 W @ 60 °C (140 °F).

Refer to the configuration spreadsheet in Sizing the ControlLogix Power Supply, [Knowledgebase Technical Note ID 22753](#).

The 5.1V DC and 24V DC currents are used together to calculate the maximum backplane power dissipation. The following table lists the current draw of each module.

Cat. No.	Current Draw at 5.1V DC	Current Draw at 24V DC
1756-IF8I	200 mA	<ul style="list-style-type: none"> <li>Voltage/Non-sourcing Current mode: 150 mA</li> <li>Sourcing Current mode: 400 mA</li> </ul>
1756-IRT8I	200 mA	150 mA
1756-IR12	200 mA	150 mA
1756-IT16	200 mA	80 mA
1756-OF8I	200 mA	<ul style="list-style-type: none"> <li>Voltage or Current mode with 250 Ω loads = 220 mA</li> <li>Current mode with 500 Ω loads = 275 mA</li> <li>Current mode with 750 Ω loads = 340 mA</li> <li>Current mode with 1000 Ω loads = 385 mA</li> </ul>

Use the following table to check power supply consumption.

Slot Number	Module Cat. No.	Current @ 5.1V DC (mA)		Power @ 5.1V DC (Watts)	Current @ 24V DC (mA)		Power @ 24 V DC (Watts)
0			x 5.1V =			x 24V =	
1			x 5.1V =			x 24V =	
2			x 5.1V =			x 24V =	
3			x 5.1V =			x 24V =	
4			x 5.1V =			x 24V =	
5			x 5.1V =			x 24V =	
6			x 5.1V =			x 24V =	
7			x 5.1V =			x 24V =	
8			x 5.1V =			x 24V =	
9			x 5.1V =			x 24V =	
10			x 5.1V =			x 24V =	
11			x 5.1V =			x 24V =	
12			x 5.1V =			x 24V =	
13			x 5.1V =			x 24V =	
14			x 5.1V =			x 24V =	
15			x 5.1V =			x 24V =	
16			x 5.1V =			x 24V =	
	TOTALS	mA		W	mA		W

Do not exceed the 5.1V DC current of 10 A for the 1756-Px72 power supply or 13 A for the 1756-Px75 power supply.

## 1492 Analog Interface Modules

As an alternative to buying RTBs and connecting the wires yourself, you can buy a wiring system that connects to I/O modules through pre-wired and pre-tested cables.



**ATTENTION:** The ControlLogix® system has been agency certified using only the ControlLogix RTBs (catalog numbers 1756-TBCH, 1756-TBNH, 1756-TBSH and 1756-TBS6H). Any application that requires agency certification of the ControlLogix system using other wiring termination methods may require application specific approval by the certifying agency.

The following table lists the analog interface modules (AIFMs) available for use with the ControlLogix eight-channel analog I/O modules.

**IMPORTANT** You can use the 6-channel AIFMs, for example, 1492-AIFM6S-3, listed with 8-channel analog I/O modules.  
We **recommend** that you use the 8-channel AIFMs, for example, 1492-AIFM8S-3, in your application whenever possible.

Module Cat. No.	Operating Mode	AIFM Cat. No. Fixed Terminal Block	AIFM Cat. No. RTB Socket Assembly	Pre-wired Cable Cat. No. where x = Cable Length
1756-IF8I	Current (Internal or External Source Loop Current)	1492-AIFM8S-3	1492-RAIFM8S-3	1492-ACABLExYA
		1492-AIFM8S-3	1492-RAIFM8S-3	1492-ACABLExYA
	Current (External Loop Power only)	1492-AIFM6S-3	1492-RAIFM6S-3	1492-ACABLExYA 1492-ACABLExYE
		1492-AIFM6S-3	1492-RAIFM6S-3	1492-ACABLExYE
	Voltage	1492-AIFM8S-3	1492-RAIFM8S-3	1492-ACABLExYB
		1492-AIFM6S-3	1492-RAIFM6S-3	1492-ACABLExYB
1756-IRT8I	RTD	1492-AIFM8S-3	1492-RAIFM8S-3	1492-ACABLExYF
		1492-AIFM6S-3	1492-RAIFM6S-3	1492-ACABLExYF
	Thermocouple	1492-AIFM8TC-3	1492-RAIFM8TC-3	1492-ACABLExYC
		1492-AIFM6TC-3	1492-RAIFM6TC-3	1492-ACABLExYC
1756-OF8I	Current	1492-AIFM8S-3	1492-RAIFM8S-3	1492-ACABLExYA
		1492-AIFM6S-3	1492-RAIFM6S-3	1492-ACABLExYA
	Voltage	1492-AIFM8S-3	1492-RAIFM8S-3	1492-ACABLExYB
		1492-AIFM6S-3	1492-RAIFM6S-3	1492-ACABLExYB

## Notes:



## Numerics

- 10 ohm offset**
  - 1756-IR12 module 68, 132
  - 1756-IRT8I module 68, 132
  - 1756-IT16 module 133
- 1756-IF8I module**
  - module features 41
- 1756-IR12 module**
  - module features 59
- 1756-IRT8I module**
  - module features 59
- 1756-IT16 module**
  - module features 59
- 1756-OF8I module**
  - module features 89
- 1756-TBCH RTB** 117
- 1756-TBE extended-depth housing** 120
- 1756-TBS6H RTB** 118

## A

- alarm deadband**
  - 1756-IF8I module 49, 137
  - 1756-IR12 module 67
  - 1756-IRT8I module 67, 138
  - 1756-IT16 module 67
- alarms** 137
  - 1756-IF8I module 137
  - 1756-IRT8I module 138
  - 1756-OF8I module 139
  - disable
    - 1756-IF8I module 137
    - 1756-IRT8I module 138
    - 1756-OF8I module 139
  - latch 26, 137, 138, 139
  - process alarm 48, 66, 137, 138
  - rate alarm 50, 68, 137, 138
- array data structure** 212

## C

- cage clamp RTB** 117
- calibration** 25, 143
  - 1756-IF8I module 134, 145
  - 1756-IR12 module 135, 150
  - 1756-IRT8I module 135, 150
  - 1756-IT16 module 136, 150
  - 1756-OF8I module 136, 159
  - recommended instrument range
    - 1756-IF8I module 144
    - 1756-IR12 module 144
    - 1756-IRT8I module 144
    - 1756-IT16 module 144
    - 1756-OF8I module 144
- channel offset**
  - 1756-OF8I module 90, 133
- circuit diagrams**
  - 1756-IF8I module 54
    - current input 54
    - sourcing current input 55
  - voltage input 54
  - 1756-IRT8I module 80
    - 3-wire RTD input 80
    - 4-wire RTD input 80
    - thermocouple input 80
  - 1756-OF8I module
    - current output 94
    - voltage output 94

### Claim Owner Output 98

#### clamp limits

- 1756-OF8I module 92, 139

#### clamping

- 1756-OF8I module 91, 139

#### cold junction compensation

- 1756-IR12 138
- 1756-IR12 module 75
- 1756-IRT8I 138
- 1756-IRT8I module 75
- 1756-IT16 138
- 1756-IT16 module 75
- cold junction offset 138
- disable 77, 138
- remote CJ compensator 138

#### configuration 125

#### configure

- redundant owner
  - output module 103

#### connections 129

- direct connections 14
- input data connections 129
- listen-only connections 20, 129
- module inhibiting 27, 130

#### C00. See Claim Owner Output (C00)

## D

#### data echo

- 1756-OF8I module 92

#### data format 23

#### data structure

- array 212
- flat 212

#### data tags 58, 88, 97, 181

- fault and status reporting
  - 1756-IF8I module 58
  - 1756-IR12 module 88
  - 1756-IRT8I module 88
  - 1756-IT16 module 88
  - 1756-OF8I module 97

#### data timestamp

- CIP Sync timestamp 22
- rolling timestamp 23

#### digital filter

- 1756-IF8I module 47, 131
- 1756-IR12 module 65, 132
- 1756-IRT8I module 65, 132
- 1756-IT16 module 65, 133

#### direct connections 14

#### disable

- alarms
  - 1756-IF8I module 137

- 1756-IRT8I module 138
- 1756-OF8I module 139
- cold junction compensation
  - 1756-IR12 module 138
  - 1756-IRT8I module 138
  - 1756-IT16 module 138

## E

- electronic keying** 128
- emulation** 29
- Ethernet modules**
  - redundant owner 97, 99
- event tasks**
  - trigger 17

## F

- fast I/O module**
  - array data structure 212
- fault and status reporting** 25
  - 1756-IF8I module 58
  - 1756-IR12 module 88
  - 1756-IRT8I module 88
  - 1756-OF8I module 97
- field-side circuit diagrams**
  - 1756-IF8I module 54, 55
    - current input 54
    - sourcing current input 55
    - voltage input 54
  - 1756-IR12 85
  - 1756-IRT8I module 80
    - 3-wire RTD input 80
    - 4-wire RTD input 80
    - thermocouple input 80
  - 1756-IT16 87
  - 1756-OF8I module
    - current output 94
    - voltage output 94
- flat data structure** 212

## H

- hold for initialization**
  - 1756-OF8I module 91, 133

## I

- inhibit the module** 27
- input module**
  - support multiple owners 106
- input ranges**
  - 1756-IF8I module 43, 131
  - 1756-IR12 module 60, 132
  - 1756-IRT8I module 60, 132
  - 1756-IT16 module 60, 133
- input types**
  - 1756-IF8I module 41, 131
  - 1756-IR12 module 59, 132
  - 1756-IRT8I module 59, 132
  - 1756-IT16 module 59, 133
- install the module** 109

- internal power source**
  - 1756-IF8I module 42

## K

- keying**
  - electronic 128
  - mechanical 113

## L

- latch alarms** 26
- limiting**
  - 1756-OF8I module 91
- listen-only connections** 20
- Logix Designer application** 26

## M

- migrate**
  - 6-channel to 8-channel 29
- migration emulation mode** 29
- module block diagram**
  - 1756-IF8I module 53
  - 1756-IR12 module 84
  - 1756-IRT8I module 79
  - 1756-OF8I module 93
- module features**
  - 10 ohm offset
    - 1756-IR12 module 68, 132
    - 1756-IRT8I module 68, 132
    - 1756-IT16 module 133
  - 1756-IF8I module 41
  - 1756-IR12 module 59
  - 1756-IRT8I module 59
  - 1756-IT16 module 59
  - 1756-OF8I module 89
  - alarm deadband
    - 1756-IF8I module 49, 137
    - 1756-IR12 module 67
    - 1756-IRT8I module 67, 138
    - 1756-IT16 module 67
  - alarms
    - 1756-IF8I module 137
    - 1756-IRT8I module 138
    - 1756-OF8I module 139
  - channel offset
    - 1756-OF8I module 90, 133
  - clamp limits
    - 1756-OF8I module 92, 139
  - clamping
    - 1756-OF8I module 91, 139
  - cold junction compensation
    - 1756-IR12 module 75, 138
    - 1756-IRT8I module 75, 138
    - 1756-IT16 module 75, 138
  - data echo
    - 1756-OF8I module 92
  - digital filter
    - 1756-IF8I module 47, 131
    - 1756-IR12 module 65, 132
    - 1756-IRT8I module 65, 132

- 1756-IT16 module 65, 133
  - hold for initialization
    - 1756-OF8I module 91, 133
  - input ranges
    - 1756-IF8I module 43, 131
    - 1756-IR12 module 60, 132
    - 1756-IRT8I module 60, 132
    - 1756-IT16 module 60, 133
  - input types
    - 1756-IF8I module 41, 131
    - 1756-IR12 module 59, 132
    - 1756-IRT8I module 59, 132
    - 1756-IT16 module 59, 133
  - latch alarms 26
    - 1756-IF8I module 137
    - 1756-IRT8I module 138
    - 1756-OF8I module 139
  - limiting
    - 1756-OF8I module 91
  - module inhibit 27
  - notch filter
    - 1756-IF8I module 43, 131
    - 1756-IR12 module 61, 132
    - 1756-IRT8I module 61, 132
    - 1756-IT16 module 61, 133
  - output ranges
    - 1756-OF8I module 90, 133
  - output types
    - 1756-OF8I module 89, 133
  - process alarms
    - 1756-IF8I module 48, 137
    - 1756-IRT8I module 66, 138
  - ramping
    - 1756-OF8I module 90, 139
  - rate alarm
    - 1756-IF8I module 50, 137
    - 1756-IR12 module 68
    - 1756-IRT8I module 68, 138
    - 1756-IT16 module 68
    - 1756-OF8I module 139
  - rate limiting
    - 1756-IF8I module 137
    - 1756-IRT8I module 138
    - 1756-OF8I module 90
  - scaling
    - 1756-IF8I module 131
    - 1756-IRT8I module 132
    - 1756-OF8I module 133
  - sensor offset
    - 1756-IF8I module 50
    - 1756-IR12 module 68
    - 1756-IRT8I module 68
    - 1756-IT16 module 68
  - sensor types
    - 1756-IR12 module 60, 71, 132
    - 1756-IRT8I module 60, 71, 132
    - 1756-IT16 module 60, 71, 133
  - synchronized sampling
    - 1756-IF8I module 52, 131
    - 1756-IR12 module 74, 132
    - 1756-IRT8I module 74, 132
    - 1756-IT16 module 74, 133
  - temperature units
    - 1756-IR12 module 71, 132
    - 1756-IRT8I module 71, 132
    - 1756-IT16 module 71, 133
  - underrange/overrange detection
    - 1756-IF8I module 46
    - 1756-IR12 module 65
    - 1756-IRT8I module 65
    - 1756-IT16 module 65
  - wire off detection
    - 1756-IF8I module 51
    - 1756-IR12 module 69
    - 1756-IRT8I module 69
    - 1756-IT16 module 69
  - module inhibit** 27, 130
  - module quality reporting** 24
  - module resolution**
    - 1756-IF8I module 41
    - 1756-IR12 module 59
    - 1756-IRT8I module 59
    - 1756-IT16 module 59
    - 1756-OF8I module 89
    - as related to scaling 31
- ## N
- notch filter**
    - 1756-IF8I module 43, 131
    - 1756-IR12 module 61, 132
    - 1756-IRT8I module 61, 132
    - 1756-IT16 module 61, 133
- ## O
- output module**
    - response time 105
    - troubleshooting 107, 108
  - output ranges**
    - 1756-OF8I module 90, 133
  - output types**
    - 1756-OF8I module 89, 133
  - ownership** 13
    - direct connections 14
    - listen-only connections 20
- ## P
- process alarms**
    - 1756-IF8I module 48, 137
    - 1756-IRT8I module 66, 138
  - producer/consumer model** 9
- ## R
- ramping**
    - 1756-OF8I module 90, 139
  - rate alarm**
    - 1756-IF8I module 50, 137
    - 1756-IR12 module 68
    - 1756-IRT8I module 68, 138
    - 1756-IT16 module 68
    - 1756-OF8I module 139

**rate limiting**

- 1756-IF8I module 137
- 1756-IRT8I module 138
- 1756-OF8I module 90

**Ready Owner Output 98****redundant owner**

- configure
  - output module 103
- Ethernet modules 97, 99
- multiple controller behavior 101
- requirements 97, 99
- restrictions 99
- single controller behavior 100
- troubleshooting 107
  - I/O Module Configuration Error 107
  - I/O Module Connection Error 107
  - output module 107, 108

**remote CI compensator 138****removal and insertion under power (RIUP)**

111

**requirements for redundant owner 97, 99****resolution**

- module 31

**response time**

- output module 105

**restrictions**

- redundant owner 99

**R00. See Ready Owner Output (R00)****RPI 15**

- set the rate 130

**RSLogix 5000 software 26****RTB**

- install 122
- recommendations 118
- remove 123
- types 117
- wire the cage clamp RTB 117
- wire the spring clamp RTB 118

**S****scaling**

- 1756-IF8I module 131
- 1756-IRT8I module 132
- 1756-OF8I module 133
- as related to module resolution 31

**sensor offset**

- 1756-IF8I module 50
- 1756-IR12 module 68
- 1756-IRT8I module 68
- 1756-IT16 module 68

**sensor types**

- 1756-IR12 module 60, 71, 132
- 1756-IRT8I module 60, 71, 132
- 1756-IT16 module 60, 71, 133

**software**

- event tasks 17
- Logix Designer application 26
- module calibration 143
- module configuration 125
- module tags 181
  - 1756-IF8I module 183

- 1756-IR12 module 196
- 1756-IRT8I module 189
- 1756-IT16 module 200
- 1756-OF8I module 204

RSLogix 5000 26

troubleshooting 168

**spring clamp RTB 118****status indicators**

- 1756-IF8I module 165
- 1756-IR12 module 166
- 1756-IRT8I module 166
- 1756-IT16 module 167
- 1756-OF8I module 167

**synchronized sampling**

- 1756-IF8I module 52, 131
- 1756-IR12 module 74, 132
- 1756-IRT8I module 74, 132
- 1756-IT16 module 74, 133

**T****tasks**

- event 17

**temperature units**

- 1756-IR12 module 71, 132
- 1756-IRT8I module 71, 132
- 1756-IT16 module 71, 133

**troubleshooting 165**

- incorrect temperature reading on the 1756-IRT8I module 170
- incorrect temperature reading on the 1756-IT16 module 170
- redundant owner 107

**U****underrange/overrange detection**

- 1756-IF8I module 46
- 1756-IR12 module 65
- 1756-IRT8I module 65
- 1756-IT16 module 65

**W****wire off detection**

- 1756-IF8I module 51
- 1756-IR12 module 69
- 1756-IRT8I module 69
- 1756-IT16 module 69

**wiring**

- connect grounded end of cable 115
- connect ungrounded end of cable 116
- connect wiring to the RTB 114
- extended-depth housing 120
- RTB recommendations 118
- RTB types 117

**wiring diagram**

- 1756-IR12 module 85
- 1756-IT16 module 87

**wiring diagrams**

- 1756-IF8I module 55, 57
  - current input 55, 56

- voltage input 57
- 1756-IRT8I module
  - 3-wire RTD input 81
  - 4-wire RTD input 82
  - thermocouple input 83
- 1756-OF8I module
  - current output 95
  - voltage output 96

**Notes:**



## Rockwell Automation Support

Use the following resources to access support information.

<b>Technical Support Center</b>	Knowledgebase Articles, How-to Videos, FAQs, Chat, User Forums, and Product Notification Updates.	<a href="https://rockwellautomation.custhelp.com/">https://rockwellautomation.custhelp.com/</a>
<b>Local Technical Support Phone Numbers</b>	Locate the phone number for your country.	<a href="http://www.rockwellautomation.com/global/support/get-support-now.page">http://www.rockwellautomation.com/global/support/get-support-now.page</a>
<b>Direct Dial Codes</b>	Find the Direct Dial Code for your product. Use the code to route your call directly to a technical support engineer.	<a href="http://www.rockwellautomation.com/global/support/direct-dial.page">http://www.rockwellautomation.com/global/support/direct-dial.page</a>
<b>Literature Library</b>	Installation Instructions, Manuals, Brochures, and Technical Data.	<a href="http://www.rockwellautomation.com/global/literature-library/overview.page">http://www.rockwellautomation.com/global/literature-library/overview.page</a>
<b>Product Compatibility and Download Center (PCDC)</b>	Get help determining how products interact, check features and capabilities, and find associated firmware.	<a href="http://www.rockwellautomation.com/global/support/pcdc.page">http://www.rockwellautomation.com/global/support/pcdc.page</a>

## Documentation Feedback

Your comments will help us serve your documentation needs better. If you have any suggestions on how to improve this document, complete the How Are We Doing? form at [http://literature.rockwellautomation.com/idc/groups/literature/documents/du/ra-du002\\_-en-e.pdf](http://literature.rockwellautomation.com/idc/groups/literature/documents/du/ra-du002_-en-e.pdf).

Rockwell Automation maintains current product environmental information on its website at <http://www.rockwellautomation.com/rockwellautomation/about-us/sustainability-ethics/product-environmental-compliance.page>.

Allen-Bradley, ControlLogix, Integrated Architecture, Logix5000, Rockwell Software, Rockwell Automation, RSLogix 5000, RSLinx, Studio 5000, Studio 5000 Logix Designer, and Studio 5000 Automation Engineering & Design Environment are trademarks of Rockwell Automation, Inc.

Trademarks not belonging to Rockwell Automation are property of their respective companies.

Rockwell Otomasyon Ticaret A.Ş., Kar Plaza İş Merkezi E Blok Kat:6 34752 İçerenköy, İstanbul, Tel: +90 (216) 5698400

**[www.rockwellautomation.com](http://www.rockwellautomation.com)**

### Power, Control and Information Solutions Headquarters

Americas: Rockwell Automation, 1201 South Second Street, Milwaukee, WI 53204-2496 USA, Tel: (1) 414.382.2000, Fax: (1) 414.382.4444

Europe/Middle East/Africa: Rockwell Automation NV, Pegasus Park, De Kleetlaan 12a, 1831 Diegem, Belgium, Tel: (32) 2 663 0600, Fax: (32) 2 663 0640

Asia Pacific: Rockwell Automation, Level 14, Core F, Cyberport 3, 100 Cyberport Road, Hong Kong, Tel: (852) 2887 4788, Fax: (852) 2508 1846

Publication 1756-UM540E-EN-P - December 2017

Supersedes Publication 1756-UM540D-EN-P - April 2016

Copyright © 2017 Rockwell Automation, Inc. All rights reserved. Printed in the U.S.A.





***Allen-Bradley***

***High Resolution Analog I/O Modules***

***User Manual***

