

MP-Series Food-grade Servo Motor with 100 mm to 165 mm Frame Size

Catalog Numbers MPF-A310, MPF-A320, MPF-A330, MPF-A430, MPF-A4530, MPF-A4540,
MPF-A540, MPF-B310, MPF-B320, MPF-B330, MPF-B430, MPF-B4530, MPF-B4540, MPF-B540

Topic	Page
Important User Information	2
Catalog Number Explanation	3
About the MP-Series Food-grade Motors	4
Before You Begin	4
Install the Motor	10
Product Dimensions	14
Motor Load Force Ratings	16
Connector Data	18
Remove and Install a Shaft Key	20
Motor Cables and Accessory Kits	21
Specifications	23
Additional Resources	24

Important User Information

Read this document and the documents listed in the additional resources section about installation, configuration, and operation of this equipment before you install, configure, operate, or maintain this product. Users are required to familiarize themselves with installation and wiring instructions in addition to requirements of all applicable codes, laws, and standards.

Activities including installation, adjustments, putting into service, use, assembly, disassembly, and maintenance are required to be carried out by suitably trained personnel in accordance with applicable code of practice.

If this equipment is used in a manner not specified by the manufacturer, the protection provided by the equipment may be impaired.

In no event will Rockwell Automation, Inc. be responsible or liable for indirect or consequential damages resulting from the use or application of this equipment.

The examples and diagrams in this manual are included solely for illustrative purposes. Because of the many variables and requirements associated with any particular installation, Rockwell Automation, Inc. cannot assume responsibility or liability for actual use based on the examples and diagrams.

No patent liability is assumed by Rockwell Automation, Inc. with respect to use of information, circuits, equipment, or software described in this manual.

Reproduction of the contents of this manual, in whole or in part, without written permission of Rockwell Automation, Inc., is prohibited.

Throughout this manual, when necessary, we use notes to make you aware of safety considerations.



WARNING: Identifies information about practices or circumstances that can cause an explosion in a hazardous environment, which may lead to personal injury or death, property damage, or economic loss.



ATTENTION: Identifies information about practices or circumstances that can lead to personal injury or death, property damage, or economic loss. Attentions help you identify a hazard, avoid a hazard, and recognize the consequence.

IMPORTANT Identifies information that is critical for successful application and understanding of the product.

Labels may also be on or inside the equipment to provide specific precautions.



SHOCK HAZARD: Labels may be on or inside the equipment, for example, a drive or motor, to alert people that dangerous voltage may be present.



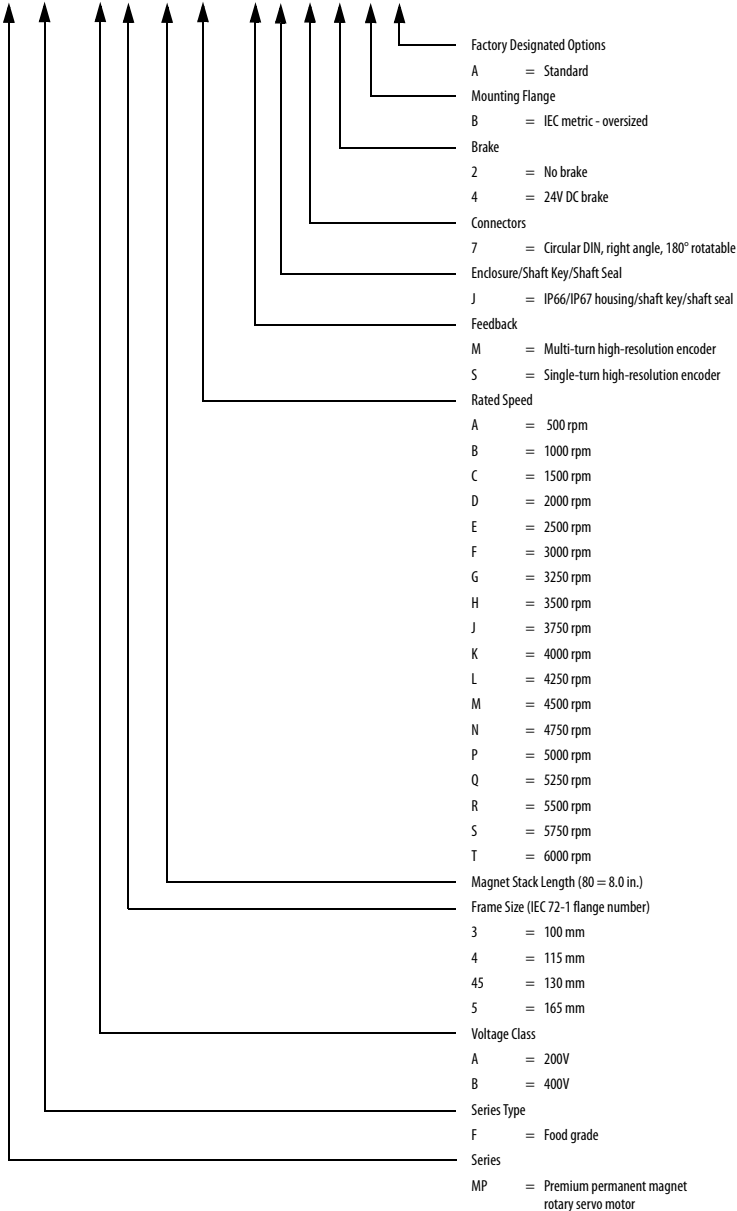
BURN HAZARD: Labels may be on or inside the equipment, for example, a drive or motor, to alert people that surfaces may reach dangerous temperatures.



ARC FLASH HAZARD: Labels may be on or inside the equipment, for example, a motor control center, to alert people to potential Arc Flash. Arc Flash will cause severe injury or death. Wear proper Personal Protective Equipment (PPE). Follow ALL Regulatory requirements for safe work practices and for Personal Protective Equipment (PPE).

Catalog Number Explanation

MP F - X X 40 X - X J 7 X B A



About the MP-Series Food-grade Motors

MP-Series™ food-grade (Bulletin MPF) motors feature single-turn or multi-turn high resolution encoders, and are available with 24V DC brakes. These compact brushless servo motors combine the characteristics of the MP-Series low-inertia motors with unique features designed for food and beverage applications.

Before You Begin

Remove all packing material, wedges, and braces from within and around the item. After unpacking, verify the nameplate catalog number against the purchase order.



ATTENTION: To avoid personal injury and damage to the motor, do not lift or handle the motor by the motor shaft. The cap on the shaft can come loose and cause you to drop the motor.

1. Remove the motor carefully from its shipping container.
2. Visually inspect the motor for any damage.
3. Examine the motor frame, front output shaft, and mounting pilot for any defects.
4. Notify the carrier of any shipping damage immediately.

Keep the original packing material in case you need to return the product for repair or transport it to another location. Use both the inner and outer packing cartons to provide adequate protection for a unit returned for service.



ATTENTION: Do not attempt to open or modify this motor beyond changing the connector orientation as described in [Change Connector Orientation on page 10](#).

Only an authorized Allen-Bradley repair center can service this item. Refer to Rockwell Automation Support for assistance to locate the nearest repair center.

Store or operate your motor in a clean and dry location within the environmental conditions listed in [Specifications on page 23](#).

Removing the Shaft Cap

Use your hand to remove the protective cap that is installed on the motor shaft or pry off the cap with a screwdriver. Do not use a hammer or other tools as they can damage the motor shaft.

To Prolong Motor Life

Proper design and maintenance can increase the life of a servo motor. Follow these guidelines to maximize the life of a servo motor within your environment:

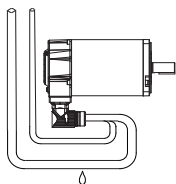


ATTENTION: Do not spray liquids under high pressure directly on the connectors, the motor, or enclosure joints.

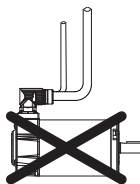
Fluids under high pressure can be forced into the connectors, resulting in an electrical short circuit. Fluids also can be forced around worn seals, and contaminate the motor bearings. Bearing contamination significantly shortens the life of a servo motor.

The motor has 3 m (9.8 ft) cables with nickel-plated connectors for motor power and feedback. These connectors are not designed to withstand high pressure washdown or washdown with aggressive cleaning compounds. Position connectors away from direct exposure to cleaning processes, for example within washdown-rated conduit or junction boxes.

- Always provide a drip loop in each cable to carry liquids away from the connection to the motor.



The cable enters beneath the motor and forms a drip loop.



The cable enters above the motor and does not form a drip loop.

- If possible, provide shields that protect the motor housing, shaft seals, and their junctions from product contamination, caustic agents, and high pressure fluids.
- Shaft seals are subject to wear and require periodic inspection and replacement. Replacement is recommended every 3 months, not to exceed 12 months, depending on use. Refer to [Shaft Seal Kits on page 21](#) for more information on shaft seals.
- Inspect the motor and seals for damage or wear on a regular basis. If damage or excessive wear is observed, replace the item.
- You can seal the motor front flange to the driven equipment by applying a bead of food grade RTV around the periphery of the joint between the motor and the machine surfaces. Use of a gasket or RTV on the mating surfaces is not recommended, as this can cause misalignment of the shaft and result in damage to the motor and/or driven equipment.
- The brake option on this servo motor is a spring-set holding brake that releases when voltage is applied to the brake coil. A separate power source is required to disengage the brake. This power source can be applied by a servo motor controller or manual operator control.

If system main power fails, holding brakes can withstand occasional use as stopping brakes. However, this creates rotational mechanical backlash that can cause damage to the system, increase brake wear, and reduce brake life.

IMPORTANT Holding brakes are not designed to stop rotation of the motor shaft, and they are not intended to be used as a safety device. They are designed to hold a motor shaft at 0 rpm for up to the rated brake holding torque.

Follow these steps to prevent motor shaft rotation.

1. Command the servo drive to 0 rpm.
2. Verify the motor is at 0 rpm.
3. Engage the brake.
4. Disable the drive.

Disabling the drive removes the potential for brake wear caused by a badly-tuned servo system oscillating the shaft.

Using Shaft Seals

An additional seal is required on the motor shaft near the motor front bearing if the shaft is exposed to fluids or significant amounts of fine dust. This includes lubricating oil from a gearbox. An IP66 or IP67 rating for the motor requires the use of a shaft seal and environmentally sealed connectors/cables. The additional seal is not recommended in applications where the motor shaft area is free of liquids or fine dust, and a lower rating is sufficient:

- Refer to [Specifications on page 23](#) for a brief description of the IP rating for these MP-Series motors.
- Refer to [Shaft Seal Kits on page 21](#) to find the catalog numbers of seal kits available for your motor.
- Refer to Kinetix® Motion Accessories Specifications, publication [GMC-TD004](#), to find environmentally sealed connectors and cables compatible with the MP-Series motors.

Using Couplings and Pulleys

Mechanical connections to the motor shaft, such as couplings and pulleys, require a torsionally rigid coupling or a reinforced timing belt. The high dynamic performance of servo motors can cause couplings, pulleys, or belts to loosen or slip over time. A loose or slipping connection can cause system instability and damage the motor shaft. All connections between the system and the servo motor shaft must be rigid to achieve acceptable response from the system. Periodically inspect connections to verify their rigidity.

When mounting couplings or pulleys to the motor shaft, be sure that the connections are properly aligned and that axial and radial loads are within the specifications of the motor. Refer to [Shaft Seal Kits on page 21](#) for guidelines to achieve 20,000 hours of motor bearing life.



ATTENTION: Damage can occur to the motor bearings and the feedback device if sharp impact to the shaft is applied during installation of couplings and pulleys. Damage to the feedback device can result by applying leverage from the motor mounting face to remove devices mounted on the motor shaft.

Do not strike the shaft, couplings, or pulleys with tools during installation or removal. Use a wheel puller applying pressure from the user end of the shaft to remove any friction-fit or stuck device from the motor shaft.

Preventing Electrical Noise

Electromagnetic interference (EMI), commonly called noise, can adversely impact motor performance by inducing stray signals.

Follow these guidelines to prevent the effects of EMI:

- Isolate the power transformers, or install line filters on all AC input power lines.
- Separate signal cables from motor cabling and power wiring. Do not route signal cables with motor and power wires, or over the vent openings of servo drives.
- Ground all equipment by using a single-point parallel ground system that employs ground bus bars or large straps. If necessary, use additional electrical noise reduction techniques to reduce EMI in noisy environments.

Refer to System Design for Control of Electrical Noise Reference Manual, publication [GMC-RM001](#), for additional information on reducing the effects of EMI by improving the system level electromagnetic compatibility (EMC).

Build and Install the Cables

Correct cable routing and careful cable construction improves system electromagnetic compatibility (EMC).

Follow these guidelines to build and install the cables:

- Keep the wire lengths as short as possible.
- Route noise sensitive wiring (encoder, serial, and I/O) away from input power and motor power wiring.
- Separate cables by 0.3 m (1 ft) minimum for every 9 m (30 ft) of parallel run.
- Ground both ends of the encoder cable shield and twist the signal wire pairs to prevent EMI from other equipment.



ATTENTION: High voltage can be present on the shield of a power cable, if the shield is not grounded.

Verify that there is a connection to ground for any power cable shield.



ATTENTION: MP-Series motors produce leakage current in the protective earthing conductor that exceeds 3.5 mA AC and/or 10 mA DC.

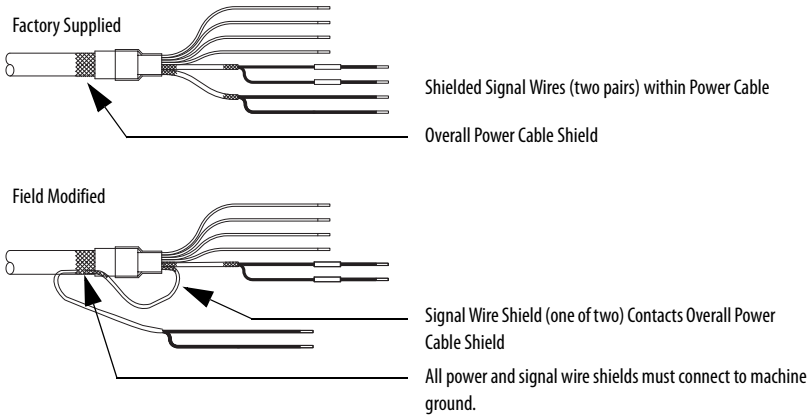
Be sure to properly ground the motor cables per the drive installation instructions.

Ground Shielded Signal Wires within a Power Cable

Always connect the shield on any signal wire pair routed inside a power cable to the overall machine ground.

If you are installing a 2090-XXNPMF-xxSxx or 2090-CPBM4DF-xxAFxx power cable, loop the signal wire pairs to the overall cable shield as shown in [Grounding of Signal Wire Shields in a Power Cable on page 9](#). Then clamp all of the shields together in the power cable (chassis) ground connection on the drive.

Grounding of Signal Wire Shields in a Power Cable



2090-XXNPMF-xxSxx (shown) contains two signal wire pairs.
2090-CPBM4DF-xxAFxx contains one signal wire pair.

The diagram shows one of the two signal wires in the correct position. Connect both signal wire shields and the overall power cable shield to machine ground.

The signal wire pairs within a power cable often carry a 24V DC brake signal, but can also carry logic signals. Grounding the shield that surrounds the signal wires dissipates an induced voltage and reduces the effects of EMI.

Install the Motor

MP-Series motors include a mounting pilot for aligning the motor on the machine. Preferred fasteners are stainless steel. The installation must comply with all local regulations and use equipment and installation practices that promote safety and electromagnetic compatibility.



ATTENTION: Unmounted motors, disconnected mechanical couplings, loose shaft keys, and disconnected cables are dangerous if power is applied.

Lockout and tag-out disassembled equipment (restrict electrical power).

Before applying power to the motor, remove the shaft key and other mechanical couplings that can be thrown from the shaft.



ATTENTION: Make sure that cables are installed and restrained to prevent uneven tension or flexing at the cable connections.

Excessive and uneven lateral force on the cable can inhibit environmental sealing as the cable flexes.

Change Connector Orientation

You can rotate the connector housing up to 180°. This lets you adjust the connector to a position that best protects the connection from possible environmental contaminants while providing cable access.



ATTENTION: Connectors are designed to be rotated into a fixed position during motor installation, and remain in that position without further adjustment. Do not rotate the connector multiple times, and do not use tools or excessive force to rotate the connector. Excessive rotation or force can damage the connector seal and reduce the international protection (IP) rating of the motor as outlined in [Specifications on page 23](#).

The circular DIN connector housing can be rotated up to 180° in either direction.

Follow these steps to rotate a DIN connector.

1. Mount and fully seat a mating cable on either the feedback or power/brake connector.
 2. Grasp the mated connector and cable plug with your hands and slowly rotate them to the outside of the motor.
-



ATTENTION: Apply force to only the motor connector and cable plug. Do not apply force to the cable extending from the cable plug. Do not use tools (for example, pliers and vise-grips) to rotate the connector.

3. Repeat these steps for the other connector.

Mount the Motor

Follow these steps to mount the motor.



ATTENTION: Damage can occur to the motor bearings and the feedback device if sharp impact to the shaft is applied during installation of couplings and pulleys.

Do not strike the shaft, couplings, or pulleys with tools during installation or removal.

1. Provide sufficient clearance, heatsink mass, and airflow for the motor so it stays within the operating temperature range of 0...40 °C (32...104 °F).

Do not enclose the motor unless cooling air is forced across the motor and keep other heat producing devices away from the motor. Heatsink requirements are listed in a footnote to the [Specifications on page 23](#) table.



ATTENTION: Outer surfaces of the motor can reach high temperatures of 125 °C (275 °F) during operation.

Take precautions to prevent accidental contact with hot surfaces. Consider motor surface temperature when selecting connections and cables to install on a motor.

2. Verify the axial and radial shaft loads of your application do not exceed those listed in the [Motor Load Force Ratings on page 16](#).
3. Position the motor on the machine with its connectors pointing downward.
4. Insert and hand-tighten stainless steel fasteners in each of the four mounting holes in the motor faceplate.

The mounting hole diameter is specified in the [Product Dimensions on page 14](#).

5. Align the motor on the machine by using the mounting pilot hole to verify the correct alignment.
6. Tighten the stainless steel fasteners within the recommended torque range.

Cat. No.	Torque Range
MPF-x310, MPF-x320, MPF-x330	10...13.6 N·m (90...120 lb·in)
MPF-x430, MPF-x4530, MPF-x4540	21.5...28.3 N·m (190...250 lb·in)
MPF-x540	45.2...56.5 N·m (400...500 lb·in)

7. Rotate the shaft for electrical phasing and encoder alignment.

The index pulse occurs on a single-turn encoder when the shaft key is aligned with the connectors. Refer to [Product Dimensions on page 14](#) for a visual reference of this alignment.

Attach the Motor Cables

Follow these steps to attach the feedback and power/brake cables after the motor is mounted.



ATTENTION: Servo drive power must be turned off before connecting or disconnecting the cables to the motor, and if a cable is left disconnected at the motor end.

Arcing or unexpected motion can occur if the feedback, power, or brake cables are connected or disconnected while power is applied to the servo drive.

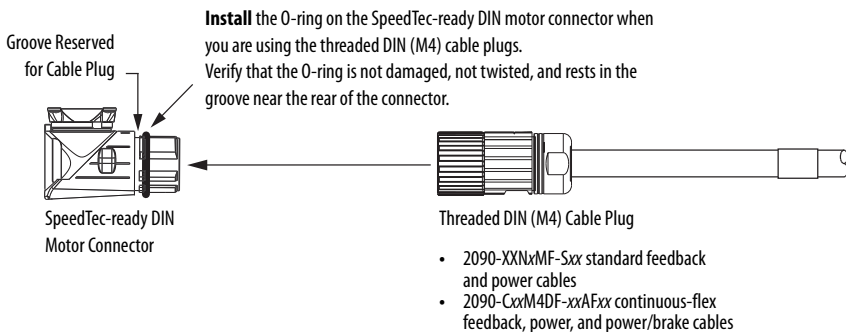


ATTENTION: Be sure that cables are installed and restrained to prevent uneven tension or flexing at the cable connectors. Provide support at 3 m (10 ft) intervals throughout the cable run.

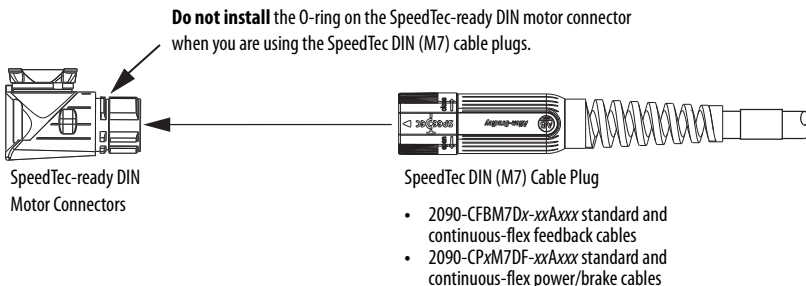
Excessive and uneven lateral force at the cable connectors can result in the connector's environmental seal opening and closing as the cable flexes, or wires separating at the cable gland.

1. If you are using the **Threaded DIN (M4) Cable Plugs**, install the O-rings.

An O-ring on the connector is necessary to achieve the maximum environmental rating.



2. If you are using the **SpeedTec DIN (M7) Cable Plugs**, do not install the O-rings.

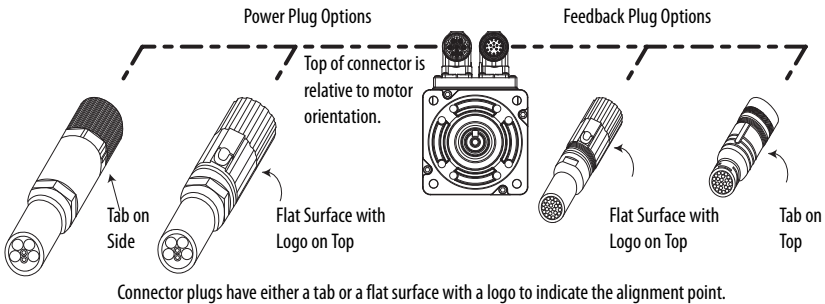


3. Form a drip loop in the cable (see [page 5](#)).

- Carefully align the flat surface on the feedback or the power/brake cable plug (shown in the diagram) with the flat surface on the motor connector.

IMPORTANT The motor orientation shown is used to clearly show the alignment marker on each cable socket.

The recommended motor orientation when installed positions the connectors at the bottom of the motor.



Connector plugs have either a tab or a flat surface with a logo to indicate the alignment point.

- Hand tighten the collar on the plug to fully seat it on the connector:
 - Threaded DIN (M4) cable plugs require five to six revolutions.
 - SpeedTec DIN (M7) cable plugs require approximately one-quarter of a revolution.

TIP A fully-seated threaded plug leaves a small opening, approximately 1...4 mm (0.04...0.16 in.), between the connector and the plug.

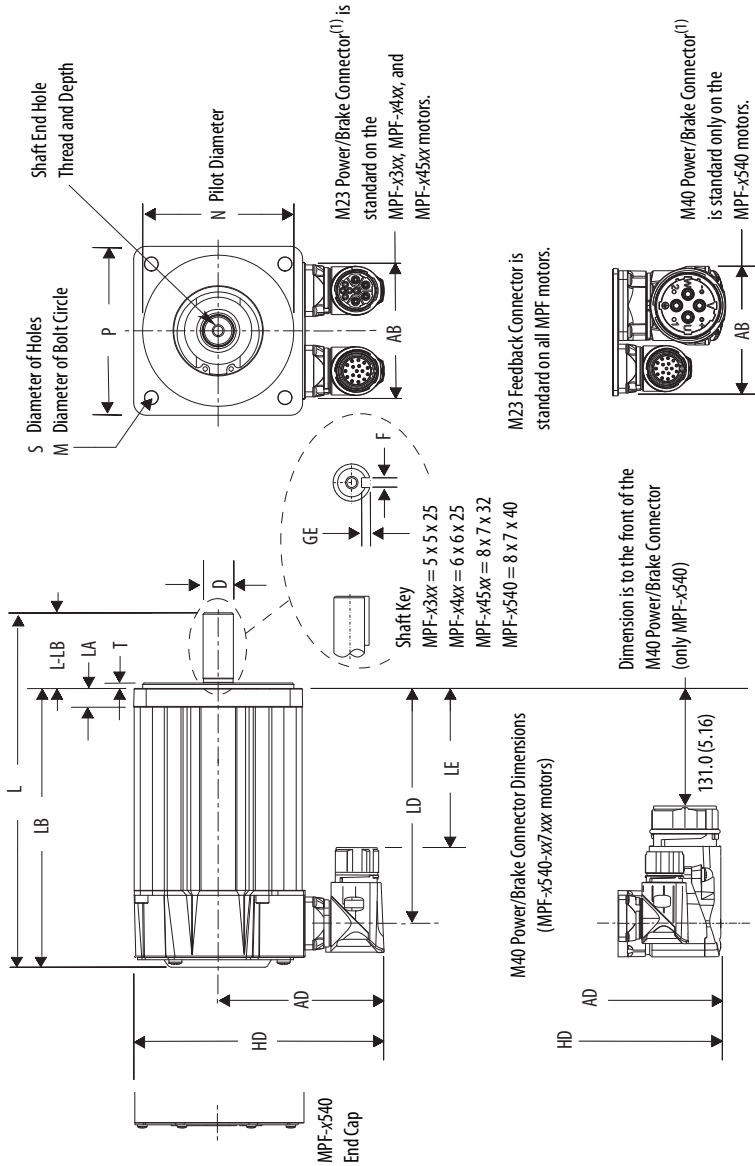
Do not apply excessive force when mating the cable plug with the motor connector. If the plug and connector do not go together with light hand force, realign the flat surfaces and try again.



ATTENTION: Align the keyed connectors and hand-tighten the recommended number of turns.

If you cannot tighten the connectors by hand, verify that the keyed connectors are properly aligned. Do not use tools (for example, pliers and vise-grips) to tighten the connectors.

Product Dimensions



The dimensions in the table are for non-brake motors. Footnotes provide tolerances for the common dimensions, and the additional dimensions specific to brake motors or features on specific motors.

Dimensions

Motor Cat. No.	AB mm (in.)	AD mm (in.)	D ⁽²⁾ mm (in.)	F ⁽³⁾ mm (in.)	GE ⁽⁴⁾ mm (in.)	HD mm (in.)	L ^{(5),(6)} mm (in.)	L-LB ⁽⁶⁾ mm (in.)	LA mm (in.)
MPF-A/B310	67.5 (2.66)	87.25 (3.43)	16.0 (0.629)	5.0 (0.197)	3.0 (0.118)	133.4 (5.25)	168.0 (6.62)	40.0 (1.57)	9.91 (0.39)
MPF-A/B320							193.0 (7.62)		
MPF-A/B330							219.0 (8.62)		
MPF-A/B430	69.1 (2.72)	90.9 (3.58)	19.0 (0.748)	6.0 (0.236)	3.5 (0.138)	142.8 (5.59)	215.0 (8.48)	40.0 (1.57)	10.16 (0.4)
MPF-A/B4530	69.1 (2.72)	98.6 (3.88)	24.0 (0.945)	8.0 (0.315)	4.0 (0.158)	157.6 (6.20)	229.0 (9.0)	50.0 (1.97)	12.19 (0.48)
MPF-A/B4540							254.0 (10.0)		
MPF-A/B540	72.6 (2.86)	136.4 ⁽¹⁾ (5.37)	28.0 (1.102)	8.0 (0.315)	4.0 (0.158)	209.0 (8.23)	226.0 (9.28)	60.0 (2.36)	13.97 (0.55)

- (1) This measurement is to the top of the M40 power connector. The measurement to the top of the M23 feedback connector is 83.6 mm (4.47 in.).
- (2) Tolerance for this dimension is: MPF-x3xx +0.008, -0.003 mm (+0.0011, -0.0008 in.); MPF-x4xx and MPF-x45xx +0.009, -0.004 mm (+0.0003, -0.0002 in.); MPF-x540 +0.009, -0.004 mm (+0.0003, -0.0002 in.).
- (3) Tolerance for this dimension is MPF-x3xx and -x4xx -0.03 mm (-0.001 in.); MPF-x45xx -0.04 mm (-0.001 in.); MPF-x540 -0.036 mm (-0.0015 in.).
- (4) Tolerance for this dimension is: MPF-x3xx and MPF-x4xx +0.1 mm (+0.004 in.) MPF-x45xx and MPF-x540 +0.2 mm (+0.007 in.).
- (5) If ordering an MPF-xxxx motor with a brake add: 34.5 mm (1.36 in.) to MPF-x310, MPF-x320, or MPF-x330 dimensions L, LB, LD, and LE; 48.5 mm (1.91 in.) to MPF-x430 dimensions L, LB, LD, and LE; 48.5 mm (1.91 in.) to MPF-x4530 or MPF-x4540 dimensions L, LB, LD, and 48.6 mm (1.91 in.) to LE; and 51.6 mm (2.03 in.) to MPF-x540 dimensions L, LB, LD, and LE.
- (6) Tolerance for this dimension is ± 0.7 mm (± 0.28 in.).

MP-Series food-grade motors are designed to metric dimensions. Inch dimensions are mathematical conversions.

Dimensions (continued)

Motor Cat. No.	LB ⁽¹⁾ mm (in.)	LD ⁽¹⁾ mm (in.)	LE ⁽¹⁾ mm (in.)	M ⁽²⁾ mm (in.)	N ⁽³⁾ mm (in.)	P mm (in.)	S ⁽⁴⁾ mm (in.)	T mm (in.)	Shaft End Threaded Hole mm (in.)
MPF-A/B310	128.0 (5.04)	102.0 (4.03)	62.0 (2.45)	100.0 (3.94)	80.0 (3.15)	92.39 (3.64)	7.0 (0.283)	2.74 (0.11)	M5 x 0.8 - 6H Thread depth 12.5 (0.49)
MPF-A/B320	153.0 (6.04)	128.0 (5.03)	88.0 (3.45)						
MPF-A/B330	179.0 (7.04)	153.0 (6.03)	113.0 (4.45)						
MPF-A/B430	175.0 (6.90)	149.0 (5.89)	110.0 (4.31)	115.0 (4.53)	95.0 (3.74)	102.1 (4.02)	10.0 (0.401)	2.74 (0.11)	M6 x 1.0 - 6H Thread depth 16 (0.63)
MPF-A/B4530	179.0 (7.03)	153.0 (6.02)	113.0 (4.44)	130.0 (5.12)	110.0 (4.331)	118.1 (4.65)	10.0 (0.401)	2.74 (0.11)	M8 x 1.25 - 6H Thread depth 19 (0.75)
MPF-A/B4540	204.0 (8.03)	178.3 (7.02)	138.0 (5.44)						
MPF-A/B540	176.0 (6.92)	151.0 (5.95)	161.8 (6.37)	165.0 (6.50)	130.0 (5.118)	145.3 (5.72)	12.0 (0.481)	3.12 (0.12)	M10 x 1.5 - 6H Thread depth 22 (0.87)

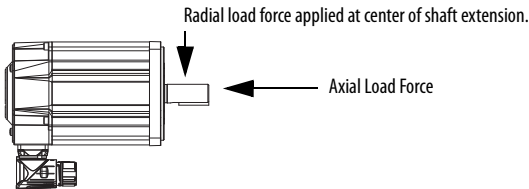
- (1) Tolerance for this dimension is: MPF-x3xx and MPF-x4xx +0.1 mm (+0.004 in.) MPF-x45xx and MPF-x540 +0.2 mm (+0.007 in.).
- (2) Tolerance for this dimension is: MPF-x3xx +0.012, -0.007 mm (+0.0001, -0.0007 in.); MPF-x4xx +0.013, -0.009 mm (+0.0007, -0.0002 in.); MPF-x45xx +0.013, -0.009 mm (+0.0002, -0.0007 in.); and, MPF-x540 +0.014, -0.009 mm (+0.0007, -0.0002 in.).
- (3) Tolerance for this dimension is: MPF-x3xx +0.012, -0.007 mm (+0.0001, -0.0007 in.); MPF-x4xx +0.013, -0.009 mm (+0.0007, -0.0002 in.); MPF-x45xx +0.013, -0.009 mm (+0.0002, -0.0007 in.); and, MPF-x540 +0.014, -0.009 mm (+0.0007, -0.0002 in.).
- (4) Tolerance for this dimension is: MPF-x3xx, MPF-x4xx, or MPF-x45xx +0.36 mm (±0.007 in.), and MPF-x540 +0.43 mm (±0.008 in.).

Motor Load Force Ratings

Motors are capable of operating with a sustained shaft load. The load force locations are shown in the figure and maximum values are in the tables.

Loads are measured in kilograms, pounds are mathematical conversions.

Load Forces on Shaft



The following tables represent 20,000 hour L₁₀ bearing fatigue life at various loads and speeds. This 20,000 hour life does not account for possible application-specific life reduction that can occur due to bearing grease contamination from external sources.

Radial Load Force Ratings

Motor Cat. No.	500 rpm kg (lb)	1000 rpm kg (lb)	2000 rpm kg (lb)	3000 rpm kg (lb)	3500 rpm kg (lb)	4000 rpm kg (lb)	5000 rpm kg (lb)
MPF-A/B310	—	62 (137)	49(108)	—	40 (88)	—	36 (79)
MPF-A/B320	87 (192)	69 (152)	55 (121)	—	45 (99)	—	40 (88)
MPF-A/B330	—	74 (163)	59 (130)	—	49 (108)	—	43 (95)
MPF-A/B430	106 (234)	84 (185)	67 (148)	—	55 (121)	—	49 (108)
MPF-A/B4530	—	105 (231)	84 (185)	73 (161)	—	66 (146)	—
MPF-A/B4540	140 (309)	111 (245)	89 (196)	77 (170)	—	—	—
MPF-A/B540	—	143 (315)	114 (251)	99 (218)	—	90 (198)	—

Axial Load Force Ratings (maximum radial load)

Motor Cat. No.	500 rpm kg (lb)	1000 rpm kg (lb)	2000 rpm kg (lb)	3000 rpm kg (lb)	3500 rpm kg (lb)	4000 rpm kg (lb)	5000 rpm kg (lb)
MPF-A/B310	—	23 (51)	16 (35)	—	13 (29)	—	11 (24)
MPF-A/B320	34 (75)	25 (55)	19 (42)	—	15 (33)	—	13 (29)
MPF-A/B330	—	27 (60)	20 (44)	—	16 (35)	—	13 (29)
MPF-A/B430	52 (115)	39 (86)	29 (64)	—	22 (49)	—	19 (42)
MPF-A/B4530	—	34 (75)	25 (55)	21 (46)	—	19 (42)	—
MPF-A/B4540	49 (108)	36 (79)	27 (60)	22 (49)	—	—	—
MPF-A/B540	—	49 (108)	36 (79)	30 (66)	—	26 (57)	—

Axial Load Force Ratings (zero radial load)

Motor Cat. No.	500 rpm kg (lb)	1000 rpm kg (lb)	2000 rpm kg (lb)	3000 rpm kg (lb)	3500 rpm kg (lb)	4000 rpm kg (lb)	5000 rpm kg (lb)
MPF-A/B310	—	36 (79)	27 (60)	—	21 (46)	—	18 (40)
MPF-A/B320	49 (108)	36 (80)	27 (59)	—	21 (46)	—	18 (40)
MPF-A/B330	—	36 (80)	27 (59)	—	21 (46)	—	18 (40)
MPF-A/B430	69 (152)	51 (112)	38 (84)	—	30 (66)	—	25 (55)
MPF-A/B4530	—	51 (112)	38 (84)	31 (69)	—	28 (62)	—
MPF-A/B4540	69 (152)	51 (112)	38 (84)	31 (69)	—	—	—
MPF-A/B540	—	68 (150)	49 (108)	42 (93)	—	37 (82)	—

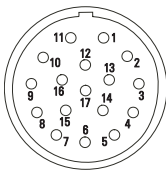
Connector Data

These tables provide the signal descriptions for the feedback, power, and brake pinouts on the connectors.

M23 Feedback and Power/Brake Pin Descriptions

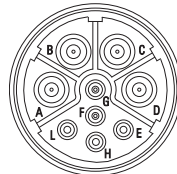
Pin	MPF-A3xx...MPF-A45xx
1	Sin+
2	Sin-
3	Cos+
4	Cos-
5	Data+
6	Data-
7	Reserved
8	
9	+5V DC
10	Common
11	Reserved
12	
13	TS+
14	TS-
15	Reserved
16	
17	

M23 Feedback Connector



Pin	MPF-A3xx...MPF-A45xx, and MPF-B3xx...MPF-B45xxx
A	Phase U ⁽¹⁾
B	Phase V ⁽¹⁾
C	Phase W ⁽¹⁾
D	Ground ⁽¹⁾
E	Reserved ⁽¹⁾
F	MBRK+ ⁽¹⁾
G	MBRK- ⁽¹⁾
H	Reserved ⁽¹⁾
L	


M23 Power/Brake Connector



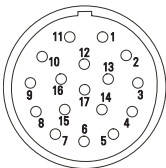
(1) Power pins A, B, C, and D can also be labeled U, V, W, and GND respectively. Brake pins F and G can also be labeled as + and - (positive and negative) respectively. Reserved pins E and H can also be numbered 1 and 2.

M23 Feedback and M40 Power/Brake Pin Descriptions

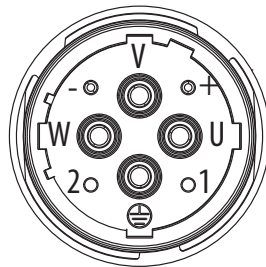
Pin	MPF-Bxxx (460V) and MPF-A5xx
1	Sin+
2	Sin-
3	Cos+
4	Cos-
5	Data+
6	Data-
7	Reserved
8	
9	
10	
11	+9V DC
12	Common
13	TS+
14	TS-
15	Reserved
16	
17	

Pin	MPF-A5xx and MPF-B5xx
U	Phase U
V	Phase V
W	Phase W
	Ground
+	BR+
-	BR-
1	Reserved
2	

M23Feedback Connector



M40 Power/Brake Connector



Remove and Install a Shaft Key

Shaft keys are constructed of 300-series stainless steel. The specified tolerance provides an interference fit (slightly larger than the opening) for a secure and rigid connection.



ATTENTION: Do not strike the motor's shaft, couplings, or pulleys with tools during installation or removal of the shaft key.

Damage can occur to the motor bearings and the feedback device if a sharp impact is applied to the shaft during installation of couplings and pulleys, or to remove the shaft key, or if leverage is applied from the motor mounting face to remove devices mounted on the motor shaft.

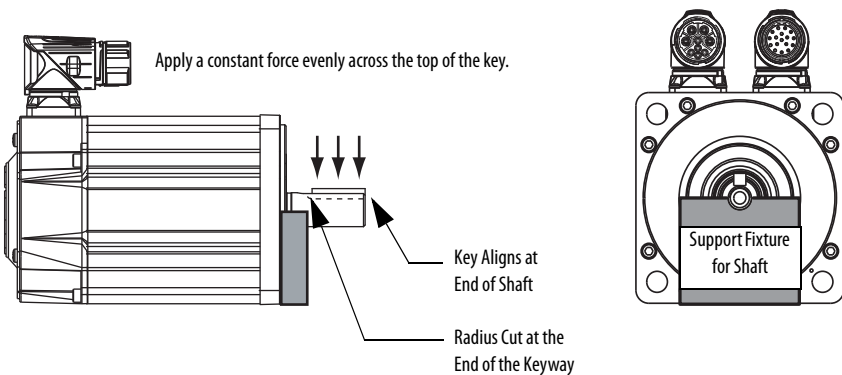
Apply a constant pressure, with a wheel puller, to the user end of the shaft to remove a friction fit or stuck device.

To remove a shaft key, perform one of these actions:

- Lift the key by grasping it with a pliers or similar tool.
- Lever the key with a screwdriver inserted between the key and the slot.

To install a shaft key, follow these steps.

1. Verify the replacement key matches the keyway in the shaft and the mating mechanical connection (for example, a coupling or pulley) before proceeding.
2. Align the front of the key with the front of the motor shaft.
This prevents the radiused end-of-cut at the motor end of the keyway from interfering with correct seating of the key.
3. Support the underside of the shaft diameter with a fixture, and use a controlled press device to apply a constant force across the top surface to press the key into the shaft.



Motor Cables and Accessory Kits

This section describes accessories that are available for MP-Series food-grade motors.

Motor Cables

Factory manufactured feedback and power cables are available in standard cable lengths. They provide the sealing needed to achieve environmental ratings and shield termination.

For a complete listing of available cables, contact your nearest Rockwell Automation sales office or refer to the Kinetix Motion Accessories Specifications Technical Data, publication

[GMC-TD004](#).

Shaft Seal Kits

IMPORTANT Shaft seals must be lubricated with a food-grade grease. Lubricant is supplied with the shaft seal kits.

Third-party shaft seals are not approved for use with these motors. The use of third-party shaft seals voids any implied or expressed warranties.

A shaft seal is a barrier that can prevent moisture and particles from entering the motor bearings. Motors are shipped with a polytetrafluoroethylene (PTFE) shaft seal installed.

Shaft seals are subject to wear and require periodic inspection and replacement. Replacement is recommended every 3 months, not to exceed 12 months, depending on use.

Catalog numbers for the motors and corresponding replacement shaft seal kits are listed in the table.

Motor Cat. No.	Shaft Seal Kit Cat. No.
MPF-A310, MPF-A320, MPF-A330, MPF-B310, MPF-B320, MPF-B330	MPF-SST-A3B3
MPF-A430, MPF-B430	MPF-SST-A4B4
MPF-A4530, MPF-A4540, MPF-B4530, MPF-B4540	MPF-SST-A45B45
MPF-A540, MPF-B540	MPF-SST-F165

For instructions on how to install a shaft seal, refer to the Shaft Seal Kit Installation Instructions, publication [2090-IN012](#).

Positive Air-pressure Accessory Kit

A positive air-pressure kit (catalog number MPF-7-AIR-PURGE) is available for field installation on an M23 feedback connector. Positive air pressure supplied through this kit provides an additional level of protection for the motor against the ingress of foreign substances and moisture.

The kit replaces the M23 feedback connector cap, provides a replacement O-ring, and includes installation instructions.

When designing you motion system, consider the following guidelines when installing a positive air-pressure kit:

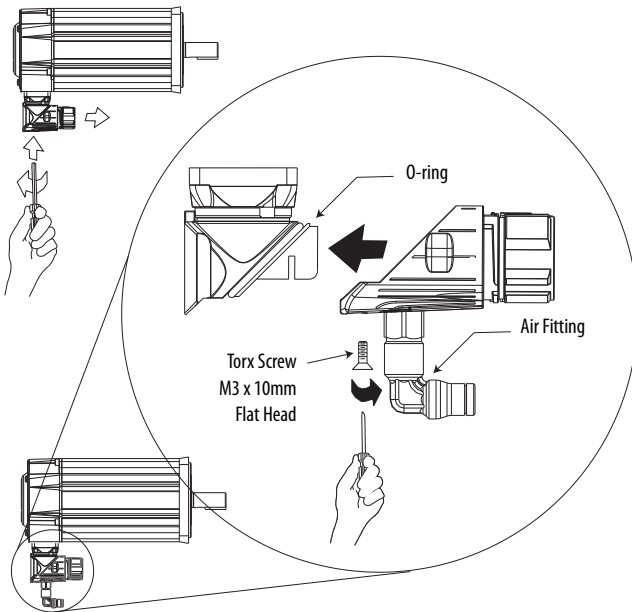
- Use plastic air tubing that is 4 mm (5/32 in.) OD Teflon FEP.
- Do not exceed 0.1 bar (1.45 psi) air pressure.



ATTENTION: Excessive air pressure and improper filtering of air can result in damage to the motor.

Air supplied to the motor must be clean, dry, and of instrument quality. Maximum air pressure is 0.1 bar (1.45 psi).

Positive Air-pressure Kit Installation on the M23 Feedback Connector



Specifications

Attribute	Value
Temperature, operating	0...40 °C (32...104 °F) ⁽³⁾
Temperature, storage	-30...70 °C (-22...158 °F)
Relative humidity, storage	5...95% noncondensing
Atmosphere, storage	Noncorrosive
IP Rating ⁽¹⁾ Motor with a shaft seal installed ⁽²⁾ Motor without a shaft seal, and mounted in this direction: Shaft down Shaft horizontal Shaft up	IP67 - dust tight, temporary immersion, room temperature water ⁽⁴⁾ IP66 - dust tight, powerful water jets, room temperature water ^{(4), (5)} IP53 - dust protected, water spray ± 60° from vertical IP51 - dust protected, water dripping vertically IP50 - dust protected, no protection from water

- (1) The motors are dual rated with International Protection Codes (IP Ratings) for environmental protection. The motor rating excludes any reduction in the rating resulting from cables or their plugs.
- (2) Refer to [Shaft Seal Kits on page 21](#) for the recommended replacement interval and installation instructions.
- (3) To obtain this thermal rating, mount the motor on a surface with heat dissipation equivalent to a 304.8 x 304.8 x 12.7 mm (12 x 12 x 0.5 in.) aluminum heatsink.
- (4) IP rating descriptions are only for reference. Refer to the international standards for more complete rating descriptions.
- (5) International Protection Code (IP66) is roughly equivalent to a NEMA 35 (dust tight, drip tight).

Additional Resources

These documents contain additional information concerning related products from Rockwell Automation.

Resource	Description
Kinetix 5500 Servo Drives User Manual, publication 2198-UM001	Provides information on installing, configuring, startup, troubleshooting, and applications for your Kinetix servo drive system.
Kinetix 6200 and Kinetix 6500 Modular Servo Drives User Manual, publication 2094-UM002	
Kinetix 6000 Multi-axis Servo Drive User Manual, publication 2094-UM001	
Kinetix 300 EtherNet/IP Indexing Servo Drives User Manual, publication 2097-UM001	
Kinetix 350 Single-axis EtherNet/IP Servo Drives User Manual, publication 2097-UM002	
Kinetix Motion Control Selection Guide, publication GMC-SG001	Specifications, motor/servo-drive system combinations, and accessories for Kinetix motion control products.
Kinetix Rotary Motion Specifications Technical Data, publication GMC-TD001	Provides product specifications for MP-Series (Bulletin MPL, MPM, MPF, MPS) rotary motors.
Kinetix Motion Accessories Specifications, publication GMC-TD004	Provides product specifications for Bulletin 2090 motor and interface cables, low-profile connector kits, drive power components, and other servo drive accessory items.
Shaft-seal Kit Installation Instructions, publication 2090-IN012	Information on the installation of a shaft seal on this and other servo motors.
Allen-Bradley Industrial Automation Glossary, publication AG-7.1	A glossary of industrial automation terms and abbreviations.
System Design for Control of Electrical Noise Reference Manual, publication GMC-RM001	How to minimize and control system-level noise.
Rockwell Automation Product Certification website http://www.rockwellautomation.com/products/certification/	Declarations of Conformity (DOC) for Rockwell Automation products.

You can view or download publications at <http://www.rockwellautomation.com/literature/>. To order paper copies of technical documentation, contact your local Allen-Bradley distributor or Rockwell Automation sales representative.

Notes:

Rockwell Automation Support

Rockwell Automation provides technical information on the Web to assist you in using its products.

At <http://www.rockwellautomation.com/support> you can find technical and application notes, sample code, and links to software service packs. You can also visit our Support Center at <https://rockwellautomation.custhelp.com/> for software updates, support chats and forums, technical information, FAQs, and to sign up for product notification updates.

In addition, we offer multiple support programs for installation, configuration, and troubleshooting. For more information, contact your local distributor or Rockwell Automation representative, or visit <http://www.rockwellautomation.com/services/online-phone>.

Installation Assistance

If you experience a problem within the first 24 hours of installation, please review the information that's contained in this manual. You can also contact a special Customer Support number for initial help in getting your product up and running.

United States or Canada	1.440.646.3434
Outside United States or Canada	Use the Worldwide Locator at http://www.rockwellautomation.com/rockwellautomation/support/overview_page , or contact your local Rockwell Automation representative.

New Product Satisfaction Return

Rockwell Automation tests all of its products to help ensure that they are fully operational when shipped from the manufacturing facility. However, if your product is not functioning and needs to be returned, follow these procedures.

United States	Contact your distributor. You must provide a Customer Support case number (call the phone number above to obtain one) to your distributor to complete the return process.
Outside United States	Please contact your local Rockwell Automation representative for the return procedure.

Documentation Feedback

Your comments will help us serve your documentation needs better. If you have any suggestions on how to improve this document, complete this form, publication [RA-DU002](#), available at <http://www.rockwellautomation.com/literature/>.

Rockwell Automation maintains current product environmental information on its website at <http://www.rockwellautomation.com/rockwellautomation/about-us/sustainability-ethics/product-environmental-compliance.page>.

Allen-Bradley, Rockwell Software, MP-Series, Kinetix, and Rockwell Automation are trademarks of Rockwell Automation, Inc.

Trademarks not belonging to Rockwell Automation are property of their respective companies.

Rockwell Otomasyon Ticaret A.Ş., Kar Plaza İş Merkezi E Blok Kat:6 34752 İçerenköy, İstanbul, Tel: +90 (216) 5698400

www.rockwellautomation.com

Power, Control and Information Solutions Headquarters

Americas: Rockwell Automation, 1201 South Second Street, Milwaukee, WI 53204-2496 USA, Tel: (1) 414.382.2000, Fax: (1) 414.382.4444
Europe/Middle East/Africa: Rockwell Automation NV, Pegasus Park, De Kleetlaan 12a, 1831 Diegem, Belgium, Tel: (32) 2 663 0600, Fax: (32) 2 663 0640
Asia Pacific: Rockwell Automation, Level 14, Core F, Cyberport 3, 100 Cyberport Road, Hong Kong, Tel: (852) 2887 4788, Fax: (852) 2508 1846

Publication MP-IN004F-EN-P - January 2015

Supersedes Publication MP-IN004E-EN-P - January 2014

Copyright © 2015 Rockwell Automation, Inc. All rights reserved. Printed in the U.S.A.