



Bulletin 1492 I/O Wiring Conversion System Bulletin 1771 to ControlLogix 1756

I/O Conversion Modules provide a fast and efficient method for converting Bul. 1771 I/O to Bul. 1756 I/O. The I/O conversion is accomplished without removing any field wires from the existing Bul. 1771 Swing Arm, virtually eliminating the risk of wiring errors. The existing Bul. 1771 Swing Arms fit directly onto the edge connector of the Bul. 1492 Conversion Modules.

The Bulletin 1492 Cables are pre-wired and have a connector for the Bul. 1492 Conversion Module on one end and a Bul. 1756 RTB (Removable Terminal Block) on the other end. The I/O signals are routed through the Bul. 1492 Conversion Module and the Bul. 1492 Cable to the appropriate terminals on the Bul. 1756 I/O module.

The I/O Conversion System includes:

- Conversion Modules (Ex: Cat No: 1492-CM1771-LD001)
- Cables (Ex: Cat No: 1492-CONACAB005X)
- Conversion Mounting Assembly (Ex: Cat No: 1492-MUA4-A13-A17)

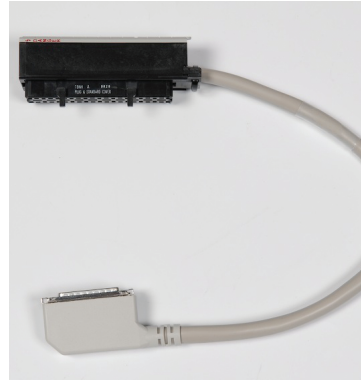
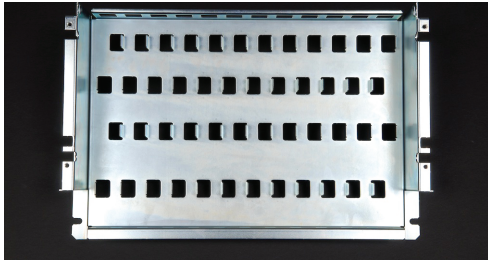
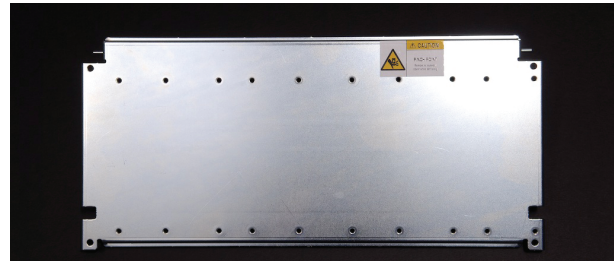
Table of Contents

Conversion Modules and Cables.....	12-165
Product Selection....	12-166
Specifications	12-170
Approximate Dimensions	*
Wiring Diagrams	*

* See publication 1492-SG121* for wiring diagrams and approximate dimensions.

Conversion Modules and Cables

The Bulletin 1492 I/O Wiring Conversion System virtually eliminates the time and risk associated with the normal “rip and replace” rewiring process by using Conversion Modules instead. The Conversion Modules provide the mating connections (edge connectors) to the specific 1771 I/O Swing Arms. This allows the field wires to remain attached to the 1771 Swing Arm, eliminating the time and risk normally associated with converting from one I/O system to another. The I/O signals are routed through to a connector on the 1492 Conversion Module and through the 1492 pre-wired Cable to the appropriate terminals on the 1756 I/O module via the 1756 RTB (Removable Terminal Block) on the other end of the 1492 pre-wired Cable.

*Conversion Modules**Pre-wired 1492 Cables***Conversion Mounting Assembly***Conversion Mounting Assembly (Base Plate)**Conversion Mounting Assembly (Cover Plate)*

The Conversion Modules are housed in a Conversion Mounting Assembly Base Plate. This Base Plate has the same mounting footprint and mounting holes as the 1771 chassis that it replaces. This eliminates the need to drill and tap new mounting holes in the control cabinet.

The Conversion Mounting Assembly Cover Plate covers and protects the Conversion Modules while providing a place to mount the new 1756 chassis. The Cover Plate has pre-drilled and tapped mounting holes allowing the new 1756 chassis to be mounted in several locations – centered, right-justified or left-justified. This eliminates the need to drill and tap new mounting holes in the control cabinet.

Bulletin 1492 Conversion Mounting Assembly

The Bulletin 1492 Conversion Modules must be installed in a Bulletin 1492 Conversion Mounting Assembly (see Table 1 below). A complete System Installation Manual ships with the Bulletin 1492 Conversion Mounting Assembly.

- Step 1: Determine the quantity of each type of Bul. 1771 I/O modules used in the Bul. 1771 I/O chassis to be converted
 Step 2: Select the applicable Bul. 1492 conversion modules from Table 2, Section III
 Step 3: Review the Max Slots for I/O and Chassis Width data from the Table 1 below
 Step 4: Select a Bul. 1756 I/O chassis which has enough I/O slots
 NOTE: (2) I/O slots are required in the Bul. 1756 chassis for conversions where (1) Bul. 1771 I/O module converts to (2) Bul. 1756 I/O modules
 Step 5: Select the Bul. 1492 conversion mounting assembly which has enough conversion module slots.
 NOTE: (2) conversion module slots are required in the Bul. 1492 conversion mounting assembly for conversions where (2) Bul. 1771 I/O module convert to (1) Bul. 1756 I/O modules.
 Step 6: The combined depth of the Bul. 1492 conversion mounting assembly with the Bul. 1756 chassis mounted on top is 10.25 inches (controller w/key) or 10.0 inches (controller w/o key).
 Step 7: Dimension drawings are included in the System Installation Manual that ships with the 1492 Conversion Mounting Assembly.

Bulletin 1771 Chassis				Bulletin 1756 Chassis			Bulletin 1492 Conversion Mounting Assembly		
Cat. No.	Max Slots for I/O	Chassis Width* in. (mm)		Cat. No.	Max Slots for I/O	Chassis Width in. (mm)	Cat. No.	Max Slots for Conversion Modules	Chassis Width in. (mm)
		Without Power Supply	With Power Supply						
1771-A1B	4	9.01 (229)	12.61 (320)	1756-A4	3	10.35 (263)	1492-MUA1B-A4-A7	4	9.01 (229)
				1756-A7	6	14.49 (368)			
1771-A2B	8	14.01 (356)	17.61 (447)	1756-A7	6	14.49 (368)	1492-MUA2B-A7-A10	8	14.01 (356)
				1756-A10	9	19.02 (483)			
1771-A3B1 *	12	19.01 (483)		1756-A10	9	19.02 (483)	1492-MUA3-A10-A13	12	19.01 (483)
				1756-A13	12	23.15 (588)			
1771-A4B	16	24.01 (610)		1756-A13	12	23.15 (588)	1492-MUA4-A13-A17	16	24.01 (610)
				1756-A17	16	29.06 (738)			

* 1771-A3B is not listed as it is used for 19 inch wide instrumentation panels.

⚠ Notice that the 1756 Chassis Width sometimes exceeds the 1771 Chassis Width, with or without the Power Supply. The Cover-Plate of the 1492 Conversion Mounting Assembly allows the 1756 Chassis to be Left justified, Right justified or Centered. A complete System Installation Manual ships with the 1492 Conversion Mounting Assembly.

Table 2A - Digital Inputs

- Step 1: In Column 1, find the Cat. No. of the Bulletin 1771 Digital I/O module.
- Step 2: In column 2, find the Cat. No. of the compatible Bulletin 1756 Digital I/O module. In some cases more than one module exists. Review the matrix carefully and review the I/O module installation manuals to determine full compatibility.
- Step 3: In column 3, find the Cat. No. of the Bulletin 1492 Conversion Module.
- Step 4: In column 4, find the Cat. No. of the Bulletin 1492 Cable.

1		2		3		4	
Bulletin 1771 Digital I/O Module ▶	Qty.	Bulletin 1756 Digital I/O Module ▶	Qty.	Bulletin 1492 Conversion Module		Bulletin 1492 Cable *	
				Cat. No.	Order Qty.	Cat. No.	Order Qty.
1771-IA	2	1756-IA16	1	1492-CM1771-LD007	2	1492-C005005XE	1
1771-IA	2	1756-IA16	1	1492-CM1771-LD007	2	1492-C005005XE	1
1771-IAD	1	1756-IA16	1	1492-CM1771-LD001	1	1492-CONCAB005X	1
1771-IAD	1	1756-IH16I	1	1492-CM1771-LD002	1	1492-CONCAB005Y	1
1771-IAN	1	1756-IA32	1	1492-CM1771-LD003	1	1492-CONCAB005Z	1
1771-IB	2	1756-IB16	1	1492-CM1771-LD007	2	1492-C005005XE	1
1771-IBD	1	1756-IB16	1	1492-CM1771-LD001	1	1492-CONCAB005X	1
1771-IBN	1	1756-IB32	1	1492-CM1771-LD003	1	1492-CONCAB005Z	1
1771-IC	2	1756-IC16	1	1492-CM1771-LD007	2	1492-C005005XE	1
1771-ICD	1	1756-IC16	1	1492-CM1771-LD001	1	1492-CONCAB005X	1
1771-ID	2	1756-IA16I	1	1492-CM1771-LD007	2	1492-C005005XL	1
1771-ID01	2	1756-IM16I	1	1492-CM1771-LD003	2	1492-C005005XL	1
1771-ID16	1	1756-IA16I	1	1492-CM1771-LD004	1	1492-CONCAB005Y	1
1771-ID16	1	1756-IH16I	1	1492-CM1771-LD004	1	1492-CONCAB005Y	1
1771-IG	2	1756-IG16	1	⚠ 1492-CM1771-LA003	2	1492-C005005XS	1
1771-IGD	1	1756-IG16	1	1492-CM1771-LD006	1	1492-CONCAB005X	1
1771-IH	2	1756-IC16	1	1492-CM1771-LD007	2	1492-C005005XE	1
1771-IM	2	1756-IM16I	1	1492-CM1771-LD007	2	1492-C005005XH	1
1771-IMD	1	1756-IM16I	1	1492-CM1771-LD002	1	1492-CONCAB005Y	1
1771-IN	2	1756-IN16	1	1492-CM1771-LD007	2	1492-C005005XE	1
1771-IND	1	1756-IN16	1	1492-CM1771-LD001	1	1492-CONCAB005X	1
1771-IND1	1	1756-IN16	1	1492-CM1771-LD001	1	1492-CONCAB005X	1
1771-IQ	2	1756-IB16I	1	1492-CM1771-LD007	2	Sink 1492-C005005XK	1
1771-IQ	2	1756-IB16I	1	1492-CM1771-LD014	2	Source 1492-C005005XJ	1
1771-IQ16	1	1756-IB16I	1	1492-CM1771-LD004	1	1492-CONCAB005Y	1
1771-IT	2	1756-IB16	1	1492-CM1771-LD007	2	1492-C005005XE	1
1771-IV	2	1756-IV16	1	1492-CM1771-LD014	2	1492-C005005XG	1
1771-IVN	1	1756-IV32	1	1492-CM1771-LD005	1	1492-CONCAB005Z	1

* The 005 in the Cat. No. indicates cable length of the Bulletin 1492 cable. The recommended length of 0.5 M is listed, additional lengths are listed below.
 1.0M Cable = 1492-CONCAB010_
 1.0M/1.0M Cable= 1492-C010010X_
 0.5M/1.0M Cable = 1492-C005010X_
 1.0M/0.5M Cable = 1492-C010005X_

▶ To understand any issues concerning I/O module compatibility refer to the conversion module wiring diagrams and the Installation Manuals for the specific I/O modules involved (with particular attention to the specification and wiring instructions).

⚠ These 1771 Digital I/O Modules use a Swing Arm that only mounts to these Analog I/O Conversion Modules, which will therefore be used to provide for these 1771 Digital I/O conversions.

I/O Wiring Conversion Systems - PLC-5 1771 to ControlLogix 1756

Product Selection

Table 2B - Digital Outputs

Step 1: In Column 1, find the Cat. No. of the Bulletin 1771 Digital I/O module.

Step 2: In column 2, find the Cat. No. of the compatible Bulletin 1756 Digital I/O module. In some cases more than one module exists. Review the matrix carefully and review the I/O module installation manuals to determine full compatibility.

Step 3: In column 3, find the Cat. No. of the Bulletin 1492 Conversion Module.

Step 4: In column 4, find the Cat. No. of the Bulletin 1492 Cable.

1		2		3		4	
Bulletin 1771 Digital I/O Module >		Bulletin 1756 Digital I/O Module >		Bulletin 1492 Conversion Module		Bulletin 1492 Cable *	
Cat. No.	Qty.	Cat. No.	Qty.	Cat. No.	Order Qty.	Cat. No.	Order Qty.
1771-OA	1	1756-OA8E	1	1492-CM1771-LD014	1	1492-CONCAB005U	1
1771-OAD	1	1756-OA16	1	1492-CM1771-LD006	1	1492-CONCAB005X	1
1771-OAN	1	§ 1756-OA16	2	1492-CM1771-LD013	1	1492-CONCAB005S3	1
1771-OB	2	1756-OB16D	1	1492-CM1771-LD014	2	1492-C005005XF	1
1771-OB16D	1	1756-OB16E	1	1492-CM1771-LD006	1	1492-CONCAB005X	1
1771-OB16E	1	§ 1756-OC8	2	♣ 1492-CM1771-LD008F	1	1492-CONCAB005S1	1
1771-OBDS	1	1756-OB16E	1	1492-CM1771-LD006	1	1492-CONCAB005X	1
1771-OB16E	1	1756-OB32	1	♣ 1492-CM1771-LD009F	1	1492-CONCAB005Z	1
1771-OB32	1	1756-OC8	1	1492-CM1771-LD014	1	1492-CONCAB005V	1
1771-OC	1	1756-OA16I	1	1492-CM1771-LD012	2	1492-C005005XM	1
1771-OD	2	1756-OA16I	1	♣ 1492-CM1771-LD010F	1	1492-CONCAB005Y	1
1771-OD16	1	1756-OA16I	1	♣ 1492-CM1771-LD010F	1	1492-CONCAB005Y	1
1771-OD16I	1	1756-OA16I	1	1492-CM1771-LD012	2	1492-C005005XP	1
1771-ODZ	2	1756-OG16	1	⚙ 1492-CM1771-LA003	1	1492-C005005XS	1
1771-OG	2	1756-OG16	1	1492-CM1771-LD006	1	1492-CONCAB005X	1
1771-OGD	1	1756-OA16	1	1492-CM1771-LD014	2	1492-C005005XG	1
1771-OM	2	1756-OA16	1	1492-CM1771-LD006	1	1492-CONCAB005X	1
1771-OMD	1	1756-ON8	1	1492-CM1771-LD014	1	1492-CONCAB005W	1
1771-ON	1	§ 1756-ON8	2	1492-CM1771-LD006	1	1492-CONCAB005S2	1
1771-OND	1	1756-OB16I	1	⚙ 1492-CM1771-LA004	1	1492-C005005XT	1
1771-OQ	2	1756-OB16I	1	♣ 1492-CM1771-LD010F	1	1492-CONCAB005Y	1
1771-OQ16	1	1756-OA16I	1	1492-CM1771-LD012	2	1492-C005005XR	1
1771-OR	2	§ 1756-OV16E	2	1492-CM1771-LD013	1	1492-CONCAB005S3	1
1771-OR16E	1	1756-OX8I	1	1492-CM1771-LD012	1	1492-CONCAB005Y	1
1771-OW	1	1756-OW16I	1	1492-CM1771-LD011	1	1492-CONCAB005Y	1
1771-OW16	1	§ 1756-OW16I	2	1492-CM1771-LD013	1	1492-CONCAB005S4	1
1771-OWNA	1	1756-OX8I	1	1492-CM1771-LD012	1	1492-CONCAB005Y	1
1771-OY	1	1756-OX8I	1	1492-CM1771-LD012	1	1492-CONCAB005Y	1
1771-OYL	1	1756-OX8I	1	1492-CM1771-LD012	1	1492-CONCAB005Y	1
1771-OZ	1	1756-OX8I	1	1492-CM1771-LD012	1	1492-CONCAB005Y	1
1771-OZL	1	1756-OX8I	1	1492-CM1771-LD012	1	1492-CONCAB005Y	1

* The 005 in the Cat. No. indicates cable length of the Bulletin 1492 cable. The recommended length of 0.5 M is listed, additional lengths are listed below.

1.0M Cable = 1492-CONCAB010_

1.0M/1.0M Cable = 1492-C010010X_

0.5M/1.0M Cable = 1492-C005010X_

1.0M/0.5M Cable = 1492-C010005X_

§ The two 1756 modules must be located directly next to each other in the 1756 chassis.

♣ The "F" at the end of the 1492 I/O Conversion Module Catalog Number indicates it is fused to match the functionality of the 1771 module being replaced.

> To understand any issues concerning I/O module compatibility refer to the conversion module wiring diagrams and the Installation Manuals for the specific I/O modules involved (with particular attention to the specification and wiring instructions).

⚙ These 1771 Digital I/O Modules use a Swing Arm that only mounts to these Analog I/O Conversion Modules, which will therefore be used to provide for these 1771 Digital I/O conversions.

I/O Wiring Conversion Systems - PLC-5 1771 to ControlLogix 1756

Product Selection

Table 3 - Analog Inputs and Outputs

Step 1: In Column 1, find the Cat. No. of the Bulletin 1771 Analog I/O module.

Step 2: In column 2, find the Cat. No. of the compatible Bulletin 1756 Analog I/O module. In some cases more than one module exists. Review the matrix carefully and review the I/O module installation manuals to determine full compatibility.

Step 3: In column 3, find the Cat. No. of the Bulletin 1492 Conversion Module.

Step 4: In column 4, find the Cat. No. of the Bulletin 1492 Cable.

1		2			3		4	
Bulletin 1771 Analog I/O Module*		Bulletin 1756 Analog I/O Module*			Bulletin 1492 Conversion Module		Bulletin 1492 Cable *	
Cat. No.	Qty.	Cat. No.	Description	Qty.	Cat. No.	Order Qty.	Cat. No.	Order Qty.
1771-IFE	1	1756-IF16	Diff Current	1	1492-CM1771-LA002	1	1492-CONACAB005D	1
			Diff Voltage	1	1492-CM1771-LA002	1	1492-CONACAB005C	1
			Sgl End Current	1	1492-CM1771-LA001	1	1492-CONACAB005B	1
			Sgl End Voltage	1	1492-CM1771-LA001	1	1492-CONACAB005A	1
1771-IFF	1	1756-IF16	Diff Current	1	1492-CM1771-LA002	1	1492-CONACAB005D	1
			Diff Voltage	1	1492-CM1771-LA002	1	1492-CONACAB005C	1
			Sgl End Current	1	1492-CM1771-LA001	1	1492-CONACAB005B	1
			Sgl End Voltage	1	1492-CM1771-LA001	1	1492-CONACAB005A	1
1771-IL (8-ch)	1	1756-IF6I (6-ch)	Current	1	1492-CM1771-LA004	1	1492-CONACAB005K	1
			Voltage	1	1492-CM1771-LA004	1	1492-CONACAB005L	1
		1756-IF6I (2 x 4ch)	Current	2	1492-CM1771-LA004	1	1492-CONACAB005T1	1
			Voltage	2	1492-CM1771-LA004	1	1492-CONACAB005T2	1
1771-IR	1	1756-IR6I	—	1	1492-CM1771-LA004	1	1492-CONACAB005F	1
1771-IXE	1	1756-IT6I2	—	1	1492-CM1771-LA005	1	1492-CONACAB005G	1
1771-IXHR	1	1756-IT6I2	—	1	1492-CM1771-LA005	1	1492-CONACAB005G	1
1771-OFE1	1	1756-OF6VI	—	1	1492-CM1771-LA003	1	1492-CONACAB005E	1
1771-OFE2	1	1756-OF6CI	—	1	1492-CM1771-LA003	1	1492-CONACAB005E	1

* To understand any issues concerning I/O module compatibility refer to the conversion module wiring diagrams and the Installation Manuals for the specific I/O modules involved (with particular attention to the specification and wiring instructions).

* The 005 in the Cat. No. indicates cable length of the Bulletin 1492 cable. The recommended length of 0.5 M is listed, additional lengths are listed below. 1.0M Cable = Cat. No. 1492-CONCAB010_



I/O Wiring Conversion Systems - PLC-5 1771 to ControlLogix 1756

Product Selection

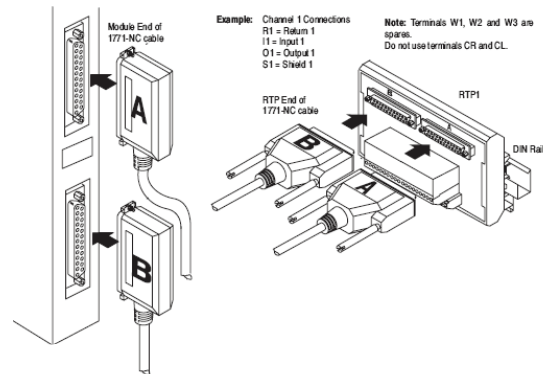
Bulletin 1771-N High Resolution Isolated Analog I/O Modules

The Bulletin 1771-N High Resolution Analog I/O modules were designed to be used with Bulletin 1771-RTPs (Remote Termination Panels) and connected by a 6ft or 15ft cable (Cat. No. 1771-NC6 or 1771-NC15).

The conversion of the Bul. 1771-N Series I/O to a Bul. 1756 ControlLogix I/O can be accomplished without the removal of any field wires from the existing Bul. 1771-RTPs. Simply replace the (2) existing Bul. 1771 cables with (2) of the following Bul. 1492 cables in the tables below.

Each of these new Bul. 1492 cables has a connector on one end that attaches directly to the existing Bul. 1771-RTP and a Bul. 1756 RTB (Removable Terminal Block) on the other end for connection to the Bul. 1756 ControlLogix I/O module.

- Step 1: In Column 1, find the Cat. No. of the Bul.1771 Digital I/O module.
- Step 2: In column 2, find the Cat. No. of the compatible Bul.1756 Digital I/O module. In some cases more than one module is required. Review the matrix carefully and review the I/O module installation manuals to determine full compatibility.
- Step 3: In column 3, find the Cat. No(s). and descriptions of the Bul. 1492 Cables required.



Please Note: These conversions do not require the use of the conversion mounting assemblies or conversion modules.

Table 4 - Conversion Cables for Bulletin 1771-N Series I/O

1		2		3			
Bulletin 1771 Analog I/O Module*		Bulletin 1756 Analog I/O Module*		Bulletin 1492 Cable §*			
Cat. No.	Qty.	Cat. No.	Qty.	Description	Cat. No.	Replaces Cables	Order Qty.
1771-NOC	1	1756-OF6CI	2	Current, Isolated	1492-CONACAB020N1	A and B	2
* 1771-NOC	1	1756-OF8	1	Current, Non-Isolated	1492-CONACAB020N8	A and B	1
1771-NIS	1	1756-IF6CIS	2	Current	1492-CONACAB020N2	A and B	2
‡ 1771-NIV	1	1756-IF6I	2	Current	1492-CONACAB020N3	A and B	2
		1756-IF6I	2	Voltage	1492-CONACAB020N7	A and B	2
		1756-IF6I	2	Current	1492-CONACAB020N3	A or B	1
				Voltage	1492-CONACAB020N7	A or B	1
1771-NR	1	1756-IR6I	2	RTD	1492-CONACAB020N4	A and B	2
1771-NT1	1	1756-IT6I	2	Thermocouple	1492-CONACAB020N5	A and B	2
1771-NOV	1	1756-OF6VI	2	Voltage	1492-CONACAB020N1	A and B	2
1771-NIV1	1	1756-IF6I	2	Voltage	1492-CONACAB020N7	A and B	2
1771-NT2	1	1756-IT6I2	2	Thermocouple	1492-CONACAB020N6	A and B	2

- * To understand any issues concerning I/O module compatibility refer to the Installation Manuals for the specific I/O modules involved.
- * Cat. No. 1492-CONACAB020N8 has (2) connectors on one end for the RTP, so only (1) Cable is required.
- ‡ Three conversions are possible using these two cables - (8 Voltage) or (8 Current) or (4 Voltage & 4 Current)
- § These catalog numbers are for a 2.0M cable length. A 5.0M cable is also available. Change the 3 numerals in the middle of the catalog number from "020" to "050" (Example: Cat. No. 1492-CONACAB020N1 becomes Cat. No.1492-CONACAB050N1).
- * Only 2 cables can be used at one time. Each cable attaches to 1 of the 2 connectors on the existing RTP module. Each cable converts 4 of the Bul. 1771 channels to 4 of the 1756 channels. The other end of the cable attaches to 1 of the 2 new Bul. 1756 modules.

Table 5- Conversion Cables for Bulletin 1771-N Series I/O Combination Modules

1		2		3			
Bulletin 1771 Analog I/O Module*		Bulletin 1756 Analog I/O Module*		Bulletin 1492 Cables§*			
Cat. No.	Qty.	Cat. No.	Qty.	Description	Cat. No.	Replaces Cable	Order Qty.
➤ 1771-NIVR	1	1756-IR6I	1	RTD	1492-CONACAB020N4	B	1
		1756-IF6I	1	Voltage	1492-CONACAB020N7	A	1
➤ 1771-NIVR	1	1756-IR6I	1	RTD	1492-CONACAB020N4	B	1
		1756-IF6I	1	Current	1492-CONACAB020N3	A	1
⌘ 1771-NIVT	1	1756-IT6I	1	Thermocouple	1492-CONACAB020N5	B	1
		1756-IF6I	1	Voltage	1492-CONACAB020N7	A	1
⌘ 1771-NIVT	1	1756-IT6I	1	Thermocouple	1492-CONACAB020N5	B	1
		1756-IF6I	1	Current	1492-CONACAB020N3	A	1

- * To understand any issues concerning I/O module compatibility refer to the Installation Manuals for the specific I/O modules involved.
- Two conversions are possible using these two cables - (4 Voltage & 4 RTD) or (4 Current & 4 RTD)
- ⌘ Two conversions are possible using these two cables - (4 Voltage & 4 Thermocouple) or (4 Current & 4 Thermocouple)
- § These catalog numbers are for a 2.0M cable length. A 5.0M cable is also available. Change the 3 numerals in the middle of the catalog number from "020" to "050" (Example: Cat. No. 1492-CONACAB020N1 becomes Cat. No. 1492-CONACAB050N1).
- * Only 2 cables can be used at one time. Each cable attaches to 1 of the 2 connectors on the existing RTP module. Each cable converts 4 of the Bul. 1771 channels to 4 of the 1756 channels. The other end of the cable attaches to 1 of the 2 new Bul. 1756 modules.

Conversion Module Specifications

Specifications *		Value
Dimensions (H x D x W)		300 x 111.25 x 38.1 mm (11.81 x 4.38 x 1.5 in.)
Approximate Shipping Weight (module dependant, refer to installation manual)		260g (0.57 lb)
Storage Temperature		-40...+85 °C (-40...+185 °F)
Operating Temperature		0...+60 °C (+32...+140 °F)
Operating Humidity		5...95% at +55 °C (+131 °F)
Shock	Non-operating	50 g
	Operating	30 g
Operational Vibration		2 g at 10...500 Hz
Agency Certifications		UL Classified (UL File No. E113724)
CE Certifications		Compliant for all applicable directives
Pollution Degree		2
Environmental Rating		IP20

* Operating specifications are when installed in the conversion system base and cover plate assembly.