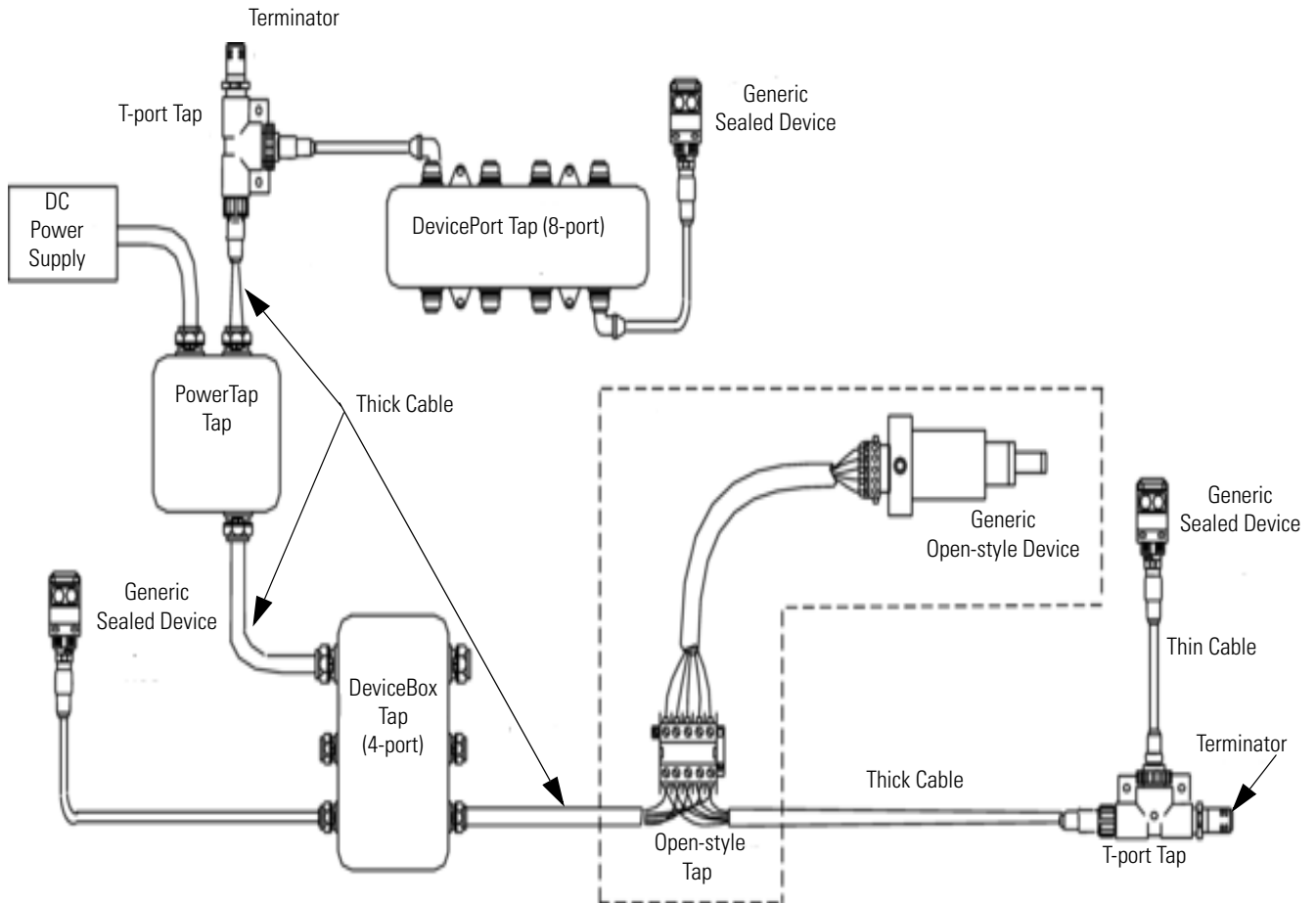


Physical Media

DeviceNet physical media includes cable for trunk lines and drop lines, as well as connectors, taps and ports. Choose from round media for standard installations, or the innovative KwikLink flat cable for more modular applications.



Round Media

Round trunk cable is available in bulk spools or as pre-molded cordsets or patchcords in varying lengths. A wide variety of rugged, durable DeviceNet components is available for use in round trunk systems. These components include drop cables, T-Ports, DeviceBox, DevicePort, PowerTap and a multitude of other components and accessories. Stainless steel versions of round cable system components are also available.

Thick Trunk Round Media System

Thick trunk round media systems use thick cable for maximum DeviceNet trunk line length.

Cat. No.	Description
This table contains information on the most popular products. See the On-Machine Connectivity Catalog, publication M116-CA001 , for more information.	
Thick Trunk Cable	
1485C-P1A50	Thick Cable Spool, 50 m (164 ft)
1485C-P1A150	Thick Cable Spool, 150 m (492 ft)
1485C-P1A300	Thick Cable Spool, 300 m (984 ft)
1485C-P1A500	Thick Cable Spool, 500 m (1640 ft)
Thick Cable Terminal Chambers (Field Attachable Connectors)	
871A-TS5-NM3	Straight Mini Male Terminal Chamber, Thick, screw type
871A-TS5-N3	Straight Mini Female Terminal Chamber, Thick, screw type
Thick Trunk Molded Cordsets/Patchcords/Receptacles	
1485C-PxM5-C	Straight Mini Male to Conductor: x meters (x = 1 - 10, 12, 18, 24, 30 standard)
1485C-PxN5-C	Straight Mini Female to Conductor: x meters (x = 1 - 10, 12, 18, 24, 30 standard)
1485C-PxN5-M5	Straight Mini Male to Straight Mini Female: x meters (x = 1 - 10, 12, 18, 24, 30 standard)
1485F-PxM5-A	Receptacle, Mini Male to Conductor, 1/2NPT mount: x meters (x = 1, 2, 3, 5 standard)
1485F-PxN5-A	Receptacle, Mini Female to Conductor, 1/2NPT mount: x meters (x = 1, 2, 3, 5 standard)
1485A-CXN5-M5	Bulkhead Passthru, DeviceNet, Mini
T-Ports	
1485P-P1N5-MN5R1	T-Port, Mini to Mini Trunk, Mini Drop with Right Keyway
1485P-P1N5-MN5R1	T-Port, Mini to Mini Trunk, Mini Drop with Left Keyway
1485P-P1R5-MN5R1	T-Port, Mini to Mini Trunk, Micro Drop
PowerTap	
1485T-P2T5-T5	Thick PowerTap, Cable Gland Connections
1485T-P1M4-MN5R1	PowerTap T-port, Mini to Mini Trunk, 4-pin Mini Male input
DeviceBox	
1485P-P2T5-T5	DeviceBox, 2-port, Cable Gland Connections, Thick
1485P-P4T5-T5	DeviceBox, 4-port, Cable Gland Connections, Thick
1485P-P8T5-T5	DeviceBox, 8-port, Cable Gland Connections, Thick

Cat. No.	Description
DevicePort	
1485P-P4N5-MN5	DevicePort, 4-port, (4) Mini Female, Mini Male/Female Thru-trunk Connection
1485P-P6N5-MN5	DevicePort, 6-port, (6) Mini Female, Mini Male/Female Thru-trunk Connection
1485P-P4R5-MN5	DevicePort, 4-port, (4) Micro Female, Mini Male/Female Thru-trunk Connection
1485P-P6R5-MN5	DevicePort, 6-port, (6) Micro Female, Mini Male/Female Thru-trunk Connection
1485P-P4N5-M5	DevicePort, 4-port, (4) Mini Female, Mini Male Trunk Connection
1485P-P8N5-M5	DevicePort, 8-port, (8) Mini Female, Mini Male Trunk Connection
1485P-P4R5-C2-M5	DevicePort, 4-port, (4) Micro Female, Mini Male Pigtail (2m) Trunk Connection
1485P-P8R5-C2-M5	DevicePort, 8-port, (8) Micro Female, Mini Male Pigtail (2m) Trunk Connection
1485P-P4R5-C2	DevicePort, 4-port, (4) Micro Female, Thin Cable Pigtail (2m) Trunk Connection
1485P-P8R5-C2	DevicePort, 8-port, (8) Micro Female, Thin Cable Pigtail (2m) Trunk Connection
Auxiliary Power Cordsets/Patchcords/Receptacles/Bulkhead Passthru	
889N-F4AFNM-x	4-pin, Straight Mini Male to Straight Mini Female: x meters (x = 1..6, 10, 15, 20 standard)
888N-M4AF1-xF	Receptacle, 4-pin Mini Male to Conductor, 1/2NPT mount: x feet (x = 1, 3 standard)
888N-D4AF1-xF	Receptacle, 4-pin Mini Female to Conductor, 1/2NPT mount: x feet (x = 1, 3, 12 standard)
889A-CXN4-M4	Bulkhead Passthru, 4-pin Mini
Auxiliary Power T-Ports	
898N-43PB-N4	Aux Pwr T-Port, Mini to Mini Pwr Trunk, Mini Drop
898N-43AB-N4	Aux Pwr / Safety T-Port, Mini to Mini Pwr Trunk, Mini Drop
898N-41AU-NM4	Aux Pwr / Safety Shorting Plug, Mini Male
898N-41AU-N4	Aux Pwr / Safety Shorting Plug, Mini Female
Accessories/Miscellaneous	
1492-DN3TW	Terminal Block Assembly, DeviceNet
1787-PLUG-10R	Open-style, 10-position Linear Plug (bag of 10pcs)
1485A-ACCKIT	Accessory Kit for DeviceBox
1485A-C2	Terminating Resistor
1485A-C1	Sealing Cap, Mini
1485A-C3	Sealing Cap, Micro

Cat. No.	Description
1799-DNETCON	5-pin Linear Plug, Open-style
1799-DNETSCON	5-pin Linear Plug, Open-style, w/ Jack Screws
1799-DNC5MMS	Female Open-style DeviceNet Y Adapter

Thin Trunk Round Media System

Round media thin trunk systems use thin cable to reduce maximum trunk line distances with a more compact and cost-effective installation for some applications. Thin cable outer jacket material is TPE for additional chemical resistance.

Cat. No.	Description
This table contains information on the most popular products. See the On-Machine Connectivity Catalog, publication M116-CA001 , for more information.	
Thin Cable (Trunk and Drop)	
1485C-P1C50	Thin Cable Spool, 50 m (164 ft)
1485C-P1C150	Thin Cable Spool, 150 m (492 ft)
1485C-P1C300	Thin Cable Spool, 300 m (984 ft)
1485C-P1C600	Thin Cable Spool, 600 m (1968 ft)
Thick Cable Terminal Chambers (Field Attachable Connectors)	
871A-TS5-DM1	Straight Micro Male Terminal Chamber, Thin, screw type
871A-TS5-D1	Straight Micro Female Terminal Chamber, Thin, screw type
871A-TR5-DM1	Right Angle Micro Male Terminal Chamber, Thin, screw type
871A-TR5-D1	Right Angle Micro Female Terminal Chamber, Thin, screw type
871A-TS5-NM1	Straight Mini Male Terminal Chamber, Thin, screw type
871A-TS5-N1	Straight Mini Female Terminal Chamber, Thin, screw type
Thin Drop Molded Cordsets/Patchcords/Receptacles/Bulkhead Passthroughs	
1485R-PxD5-C	Straight Micro Male to Conductor: x meters (x = 1...6 standard)
1485R-PxF5-C	Right Angle Micro Male to Conductor: x meters (x = 1...6 standard)
1485R-PxR5-C	Straight Micro Female to Conductor: x meters (x = 1...6 standard)
1485R-PxV5-C	Right Angle Micro Female to Conductor: x meters (x = 1...6 standard)
1485R-PxR5-D5	Straight Micro Male to Straight Micro Female: x meters (x = 1...6 standard)
1485R-PxR5-F5	Right Angle Micro Male to Straight Micro Female: x meters (x = 1...6 standard)
1485R-PxN5-F5	Right Angle Micro Male to Straight Mini Female: x meters (x = 1...6 standard)
1485R-PxM5-C	Straight Mini Male to Conductor: x meters (x = 1...6 standard)
1485R-PxN5-C	Straight Mini Female to Conductor: x meters (x = 1...6 standard)

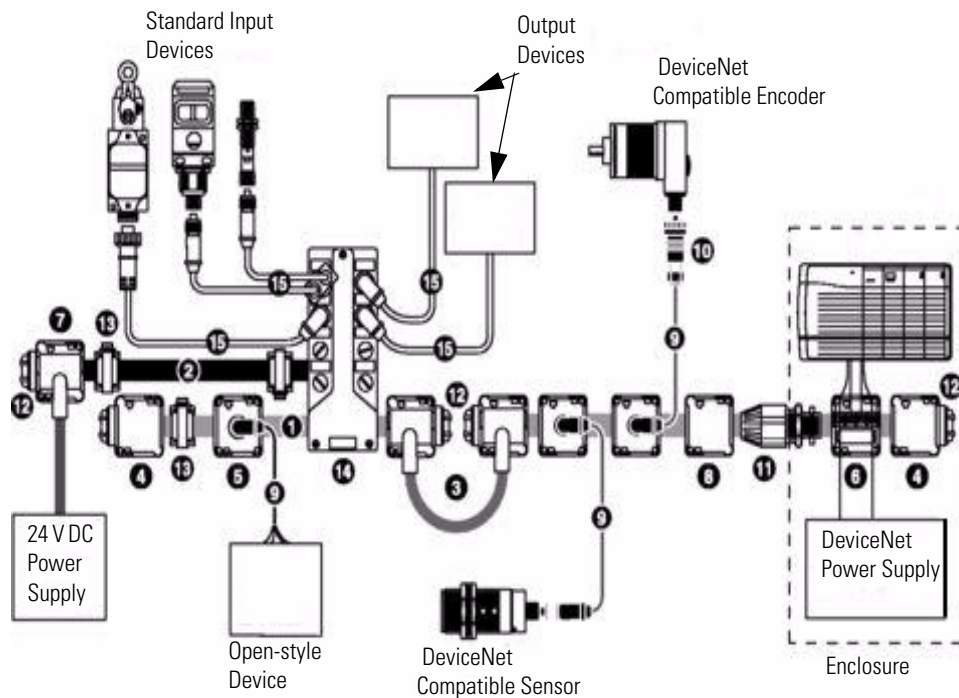
Cat. No.	Description
1485R-PxN5-M5	Straight Mini Male to Straight Mini Female: x meters (x = 1...6 standard)
1485R-PxM5-R5	Straight Mini Male to Straight Micro Female: x meters (x = 1...6 standard)
1485R-PxM5-V5	Straight Mini Male to Right Angle Micro Female: x meters (x = 1...6 standard)
1485F-PxD5-C	Receptacle, Micro Male to Conductor, 1/2NPT mount: x meters (x = 1...3 standard)
1485F-PxR5-C	Receptacle, Micro Female to Conductor, 1/2NPT mount: x meters (x = 1...3 standard)
1485F-PxM5-C	Receptacle, Mini Male to Conductor, 1/2NPT mount: x meters (x = 1...3 standard)
1485F-PxN5-C	Receptacle, Mini Female to Conductor, 1/2NPT mount: x meters (x = 1...3 standard)
1485A-CXN5-M5	Bulkhead Passthru, DeviceNet, Mini
1485A-CXR5-D5	Bulkhead Passthru, DeviceNet, Micro
Terminators	
1485A-T1D5	Micro Male Terminator
1485A-T1R5	Micro Female Terminator
T-Ports	
1485P-P1R5-DR5	T-Port, Micro to Micro Trunk, Micro Drop
PowerTap	
1485T-P2T5-T5C	Thin PowerTap, Cable Gland Connections
DeviceBox	
1485P-P2T5-T5C	DeviceBox, 2-port, Cable Gland Connections, Thin
1485P-P4T5-T5C	DeviceBox, 4-port, Cable Gland Connections, Thin
1485P-P8T5-T5C	DeviceBox, 8-port, Cable Gland Connections, Thin
DevicePort	
1485P-P4R5-D5	DevicePort, 4-port, (4) Micro Female, Male Micro Trunk Connection
1485P-P8R5-D5	DevicePort, 8-port, (8) Micro Female, Male Micro Trunk Connection
1485P-P4R5-C2-F5	DeviceBox, 4-port, (4) Micro Female, Rt Angle Micro Male Pigtail (2m) Trunk Connection
1485P-P8R5-C2-F5	DevicePort, 8-port, (8) Micro Female, Rt Angle Micro Male Pigtail (2m) Trunk Connection
1485P-P4R5-C2	DevicePort, 4-port, (4) Micro Female, Thin Cable Pigtail (2m) Trunk Connection
1485P-P8R5-C2	DevicePort, 8-port, (8) Micro Female, Thin Cable Pigtail (2m) Trunk Connection
Accessories/Miscellaneous	
1492-DN3TW	Terminal Block Assembly, DeviceNet
1787-PLUG-10R	Open-style, 10-position Linear Plug (bag of 10pcs)

Cat. No.	Description
1485A-ACCKIT	Accessory Kit for DeviceBox
1485A-C2	Terminating Resistor
1485A-C1	Sealing Cap, Mini
1485A-C3	Sealing Cap, Micro

KwikLink Flat Media

The KwikLink flat media system provides a simple, modular cabling method with its flat four-wire cable and Insulation Displacement Connectors (IDCs). Designed to provide up to 50% savings in installation costs by offering a drastic reduction in labor and materials, the KwikLink system allows nodes to be added to the network quickly and easily – without severing the trunkline. Cutting or stripping of the trunkline is eliminated, as is the need for predetermined cable lengths. The KwikLink system offers maximum simplicity while still supporting 64 nodes. A full complement of accessories is also available for the KwikLink flat media system

Visit <http://www.ab.com/sensors/products/devicenet/kwiklinklite.html> for more information.



Item Number	Description
1	KwikLink Trunk Cable
2	KwikLink Auxiliary Power Cable
3	Splice Kit
4	Terminator
5	Connector IDC
6	Open Style IDC
7	Class1 Drop and Power Tap
8	Dust Cap
9	KwikLink Drop Cable
10	Terminal Chamber
11	Conduit Adapter
12	Flat Cable End Cap
13	Mounting Clamp
14	ArmorBlock MaXum
15	ArmorBlock Cordsets

KwikLink Heavy Duty Flat Media System

KwikLink Heavy Duty Connectors are the original connector style for flat media. This rugged industrial connector design incorporates a removable field interface cap in a multitude of connection types including micro, mini pigtail, cable pigtail, open style, and terminator style, in addition to splice kits for joining two separate flat media trunk sections.

Cat. No.	Description
This table contains information on the most popular products. See the On-Machine Connectivity Catalog, publication M116-CA001 for more information.	
KwikLink Flat Trunk Cable	
1485C-P1Exx	Flat Cable Spool, Trunk, TPE, Class 1, Grey: xx meters (75, 200, or 420)
1485C-P1Gxx	Flat Cable Spool, Trunk, PVC, Class 2, Light Grey: xx meters (75, 200, or 420)
KwikLink Heavy Duty Splice Kits	
1485P-P1E4-S	Standard KwikLink Heavy-Duty Splice Kit, Sealed
1485P-P1H4-S	Standard KwikLink Heavy-Duty Splice Kit, Unsealed
1485P-P1E4-SX	Power Isolation KwikLink Heavy-Duty Splice Kit, Sealed
1485P-P1H4-SX	Power Isolation KwikLink Heavy-Duty Splice Kit, Unsealed
KwikLink Heavy Duty Connectors	
1485P-P1H4-T4	Open-style, Unsealed
1485P-P1E4-R5	Micro, Sealed

Cat. No.	Description
1485P-P1H4-R5	Micro, Unsealed
1485T-P1E4-Bx	Mini Pigtail drop (CL1), Sealed: x meters (x = 1...6 standard)
1485P-P1E4-Bx-N5	Cable Pigtail drop (CL1), Sealed: x meters (x = 1, 2, 3, 6 standard)
KwikLink Heavy Duty Terminators	
1485A-T1E4	Terminator, Sealed
1485A-T1H4	Terminator, Unsealed
KwikLink Drop Molded Cordets/Patchcords/Bulkhead Passthru	
1485K-PxF5-C	Right Angle Micro Male to Conductor: x meters (x = 1...6 standard)
1485K-PxF5-R5	Right Angle Micro Male to Straight Micro Female: x meters (x = 1...6 standard)
1485K-PxF5-V5	Right Angle Micro Male to Right Angle Micro Female: x meters (x = 1...6 standard)
1485K-PxF5-N5	Right Angle Micro Male to Straight Mini Female: x meters (x = 1...6 standard)
1485K-PxF5-Z5	Right Angle Micro Male to Right Angle Mini Female: x meters (x = 1...6 standard)
1485A-CXR5-D5	Bulkhead Passthru, DeviceNet, Micro
1485A-CXN5-M5	Bulkhead Passthru, DeviceNet, Mini
Thin Cable Terminal Chambers (Field Attachable Connectors)	
871A-TS5-DM1	Straight Micro Male Terminal Chamber, Thin, screw type
871A-TS5-D1	Straight Micro Female Terminal Chamber, Thin, screw type
871A-TR5-DM1	Right Angle Micro Male Terminal Chamber, Thin, screw type
871A-TR5-D1	Right Angle Micro Female Terminal Chamber, Thin, screw type
871A-TS5-NM1	Straight Mini Male Terminal Chamber, Thin, screw type
871A-TS5-N1	Straight Mini Female Terminal Chamber, Thin, screw type
Auxiliary Power KwikLink Flat Cable	
1485C-P1Lxx	Flat Cable Spool, Auxiliary Power, PVC, Class 1, Black: xx meters (75, 200, or 420)
Auxiliary Power KwikLink Heavy Duty Connectors	
1485T-P1E4-Cx	4-conductor Cable Pigtail drop (CL1), Sealed: x meters (x = 1, 2, 3, 6 standard)
1485T-P1E4-Cx-N4	4-pin Mini Pigtail drop (CL1), Sealed: x meters (x = 1...6 standard)
Auxiliary Power Receptacles/Bulkhead Passthru	
888N-D4AF1-xF	Receptacle, 4-pin Mini Female to Conductor, 1/2NPT mount: x feet (x = 1, 3, 12 standard)
889A-CXN4-M4	Bulkhead Passthru, 4-pin Mini
KwikLink Accessories/Miscellaneous	
1485A-C5E4	KwikLink Module Dust Cap
1485A-CAD	Flat Cable Conduit Adapter

Cat. No.	Description
1485A-FCM	Flat Cable Mounting Clamp
1485A-CAP	Flat Cable End Cap for KwikLink
1485A-M12	Sealing Cap, Micro, Plastic
1492-DN3TW	Terminal Block Assembly, DeviceNet

KwikLink General Purpose Flat Media System

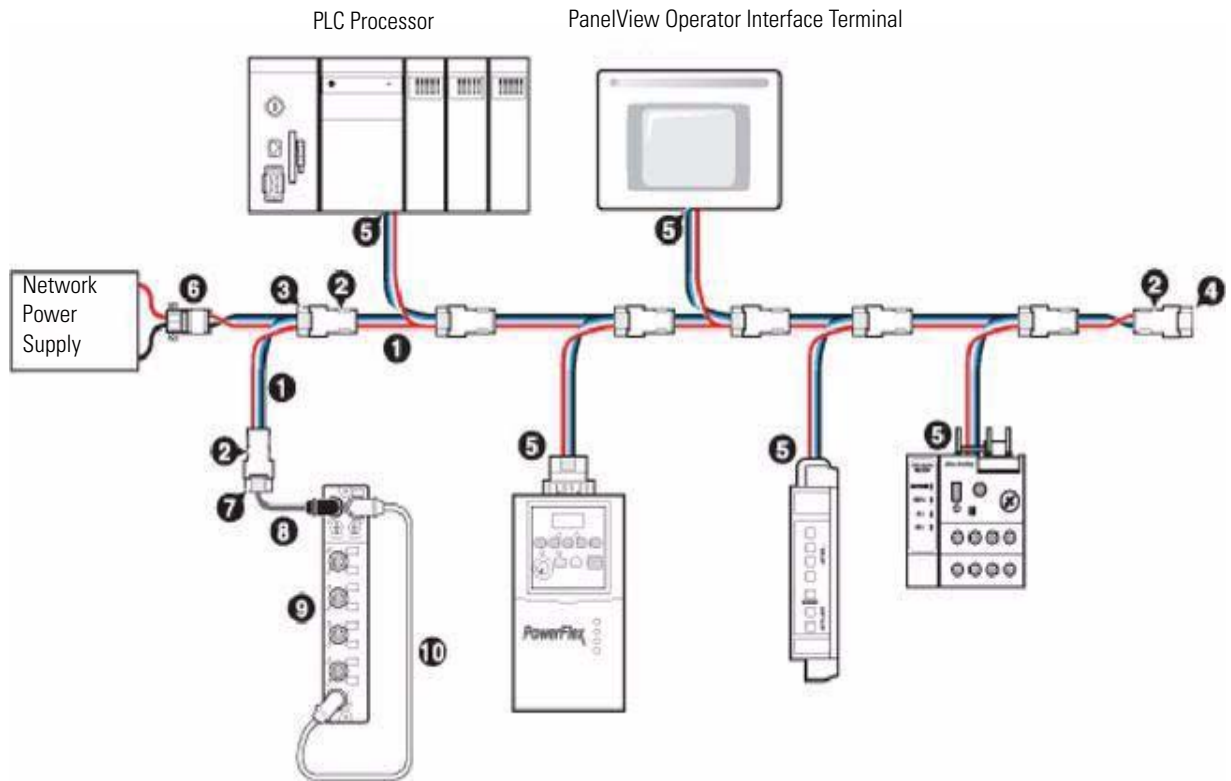
KwikLink General Purpose connectors provide a simple low profile two-piece connector design for less demanding industrial applications. These micro style connectors are offered with an extremely pliable flat cable for maximum ease of installation and cable routing and are rated for use in IP67 environments.

Cat. No.	Description
This table contains information on the most popular products. See the On-Machine Connectivity Catalog, publication M116-CA001 for more information.	
KwikLink General Purpose Flat Trunk Cable	
1485C-P1Kxx	Flat Cable Spool, Trunk, PVC, Class 2, Grey: xx meters (75, 200, or 420)
KwikLink General Purpose Connectors	
1485P-K1E4-R5	Micro, Sealed (IP67)
KwikLink Terminators	
1485A-T1D5	Micro Male Terminator
KwikLink Drop Molded Cordsets/Patchcords/Bulkhead Passthru	
1485K-PxF5-C	Right Angle Micro Male to Conductor: x meters (x = 1...6 standard)
1485K-PxF5-R5	Right Angle Micro Male to Straight Micro Female: x meters (x = 1...6 standard)
1485K-PxF5-V5	Right Angle Micro Male to Right Angle Micro Female: x meters (x = 1...6 standard)
1485K-PxF5-N5	Right Angle Micro Male to Straight Mini Female: x meters (x = 1...6 standard)
1485K-PxF5-Z5	Right Angle Micro Male to Right Angle Mini Female: x meters (x = 1...6 standard)
1485A-CXR5-D5	Bulkhead Passthru, DeviceNet, Micro
1485A-CXN5-M5	Bulkhead Passthru, DeviceNet, Mini
Thin Cable Terminal Chambers (Field Attachable Connectors)	
871A-TS5-DM1	Straight Micro Male Terminal Chamber, Thin, screw type
871A-TS5-D1	Straight Micro Female Terminal Chamber, Thin, screw type
871A-TR5-DM1	Right Angle Micro Male Terminal Chamber, Thin, screw type
871A-TR5-D1	Right Angle Micro Female Terminal Chamber, Thin, screw type
871A-TS5-NM1	Straight Mini Male Terminal Chamber, Thin, screw type
871A-TS5-N1	Straight Mini Female Terminal Chamber, Thin, screw type

Cat. No.	Description
KwikLink Accessories/Miscellaneous	
1485A-CAD	Flat Cable Conduit Adapter
1485A-FCM	Flat Cable Mounting Clamp
1485A-KCAP	Standalone Flat Cable End Cap
1485A-M12	Sealing Cap, Micro, Plastic
1492-DN3TW	Terminal Block Assembly, DeviceNet
1787-PLUG-10R	Open-style, 10-position Linear Plug (bag of 10pcs)

KwikLink Lite Flat Media

KwikLink Lite is the new, ODVA-approved solution for wiring DeviceNet networks. This new physical media makes DeviceNet wiring and cable installation both quick and easy, and extends the network into light-duty, IP20-rated applications. Drop-lines for connecting nodes can be easily added using the unique KwikLink Lite two-piece connectors. Additionally, the cable system supports the intermixing of DeviceNet cable types (thin-round with flat). All of the KwikLink Lite Connectors provide Insulation Displacement Technology with reduced assembly time. Furthermore, the KwikLink Lite cable system can be used to connect to the network and communicate with other devices



Item Number	Description
1	KwikLink Lite IP20 Media IDC
2	Trunk Line Connector IDC
3	Drop Line Connector IDC
4	Terminating Resistor IDC
5	5-pin Open Style Connector IDC
6	Terminal Block with Terminating Resistor
7	Flat to Thin Media Converter
8	KwikLink Drop Cable
9	ArmorBlock I/O
10	Auxiliary Power Cordsets

KwikLink Lite Flat Media System

Cat. No.	Description
KwikLink Lite Cable	
1485C-P1W100	IP20 flat media, cable spool, 100 m
1485C-P1W300	IP20 flat media, cable spool, 300 m
1485C-P1W600	IP20 flat media, cable spool, 600 m
KwikLink Lite Connectors	
1485P-K1GK4	Flat cable to thin cable conversion IDC
1485P-K1TLR4	Terminal block IDC
1485P-K1TG4	Trunk-line connector IDC
1485P-K1DL4	Drop-line connector IDC
1485P-K1TR4	Terminating resistor IDC
1485P-K1G4-Y5	5-pin connector IDC
KwikLink Accessories/Miscellaneous	
1485A-KCRIMP	Crimping pliers

Tools

Cat. No.	Product	Description
1788-MCHKR	NetLinx Media Checker	Handheld diagnostic tool that identifies cable failures, measures length, and checks wiring for ControlNet, DeviceNet, DH+/RIO, and Ethernet physical media
193-DNCT	DeviceNet Configuration Terminal	Handheld device that can be used to commission, configure, program, and monitor devices on your DeviceNet network