



**Bulletin 100-K/104-K IEC Contactors**

- Compact size
- Same dimensions for AC and DC
- Full-voltage non-reversing and reversing contactors
- 5, 9, and 12 A contactors rated at 690V
- IP2X finger protection
- Optional integrated surge suppressor
- Compatible with Bulletin 193-K bimetallic overload relay
- Mirror contacts per IEC 60947-4-1 and mechanically linked contacts per IEC 60947-5-1 on main unit

Allen-Bradley Bulletin 100-K miniature contactors are designed for commercial and light industrial applications where panel space is at a premium. These miniature devices, while 45 mm wide, are shallower and have less panel depth requirements than standard IEC contactors.

The miniature contactors have been designed with flexibility in mind. They are available with AC or DC operating coils, several contact ratings, and optional 2- or 4-pole adder decks in a variety of auxiliary contact configurations.

Your order must include: cat. no. (with coil voltage code) of the mini contactor specified and, if required, cat. no. of any accessories

**Table of Contents**

Product Selection ..... this page  
 Accessories..... 2-97  
 Specifications..... 2-122  
 Approximate Dimensions..... 2-157

**Standards Compliance**

IEC/EN 60947-1,-4-1,-5-1,-5-4  
 UL 508  
 CSA 22.2. No. 14  
 NF F 62-000

**Certifications**

CE marked  
 cULus Listed (File No. E41850,  
 Guide NLDX, NLDX7)

**3-Pole AC- and DC-Operated Contactors**

Rated Operational Current $I_e$ [A]	Ratings for switching AC motors - AC-2, AC-3, AC-4										Auxiliary Contacts		Pkg. Qty.*	Cat. No.
	3Ø kW (50 Hz)				Hp (60 Hz)						N.O.	N.C.		
					1Ø		3Ø							
40 °C	230V	400/415V	500V	690V	115V	230V	200V	230V	460V	575V				
AC-1														
20	1.5	2.2	2.2	2.2	1/2	1	1-1/2	1-1/2	3	3	1	0	1	<b>100-K05Ø10</b>
														0
20	3	4	4	4	1/2	1-1/2	2	2	5	5	1	0	1	<b>100-K09Ø10</b>
														0
20	3	5.5	5.5	5.5	3/4	2	3	3	7-1/2	7-1/2	1	0	1	<b>100-K12Ø10</b>
														0

\* May be ordered in package quantities of 20. Add letter M to the end of the cat. no. Example: **100-K09ZJ10M**.

⊗ The Cat. No. as listed is incomplete. Select a Coil Voltage Code from the table on page 2-96 to complete the Cat. No. Example: 24V DC: Cat. No. **100-K05Ø10** becomes Cat. No. **100-K05ZJ10**.

**4-Pole AC- and DC-Operated Contactors**


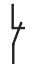
Rated Operational Current $I_e$ [A]	Ratings for switching AC motors - AC-2, AC-3										Contact Configuration, Main Pole		Pkg. Qty.*	Cat. No.
	3Ø kW (50 Hz)				Hp (60 Hz)						N.O.	N.C.		
					1Ø		3Ø							
40 °C	230V	400/415V	500V	690V	115V	230V	200V	230V	460V	575V				
AC-1														
20	1.5	2.2	2.2	2.2	1/2	1	1-1/2	1-1/2	3	3	4	0	1	<b>100-K05Ø400</b>
											3	1	1	100-K05Ø300
											2	2	1	100-K05Ø200
20	3	4	4	4	1/2	1-1/2	2	2	5	5	4	0	1	<b>100-K09Ø400</b>
											3	1	1	100-K09Ø300
											2	2	1	100-K09Ø200
20	3	5.5	5.5	5.5	3/4	2	3	3	7-1/2	7-1/2	4	0	1	<b>100-K12Ø400</b>
											3	1	1	100-K12Ø300
											2	2	1	100-K12Ø200

\* May be ordered in package quantities of 20. Add letter M to the end of the cat. no. Example: **100-K09ZJ400M**.

⊗ The Cat. No. as listed is incomplete. Select a Coil Voltage Code from the table on page 2-96 to complete the Cat. No. Example: 24V DC: Cat. No. **100-K05Ø400** becomes Cat. No. **100-K05ZJ400**.

Bulletin 100-K  
**IEC Miniature Contactors**  
 Product Selection, Continued

Reversing AC- and DC-Operated Contactors

Rated Operational Current $I_b$ [A]	Ratings for switching AC motors - AC-2, AC-3, AC-4										Auxiliary Contacts per Contactor *		Cat. No.
	3Ø kW (50 Hz)				Hp (60 Hz)								
	40 °C				1Ø		3Ø						
AC-1	230V	400/415V	500V	690V	115V	230V	200V	230V	460V	575V	N.O.	N.C.	
20	1.5	2.2	2.2	2.2	—	—	1-1/2	1-1/2	3	3	0	1	<b>104-K05Ø02</b>
20	3	4	4	4	—	—	2	2	5	5	0	1	<b>104-K09Ø02</b>
20	3	5.5	5.5	5.5	—	—	3	3	7-1/2	7-1/2	0	1	<b>104-K12Ø02</b>

2

\* Used for electrical interlocking

⊗ The Cat. No. as listed is incomplete. Select a standard Coil Voltage Code from the table below to complete the Cat. No.

Example: 230V, 50/60 Hz: Cat. No. **104-K05Ø02** becomes Cat. No. **104-K05KF02**.

Bulletin 104-K reversing contactors are factory assembled and include contactors, mechanical interlock (Cat. No. 100-KMCH) and wiring kit (Cat. No. 100-KPR) for power and control circuit (electrical interlock).

⊗ **Coil Voltage Code**

The Cat. No. as listed is incomplete. Select a coil voltage code from the table below to complete the Cat. No. Example: 120V, 60 Hz:

**Cat. No. 100-K09Ø10** becomes **Cat. No. 100-K09D10**.

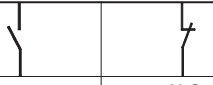

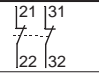
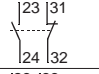
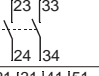

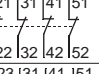
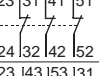
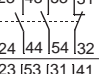
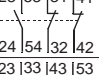
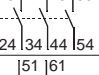

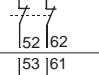
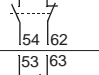
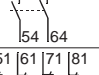

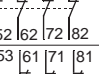
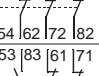
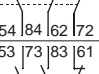
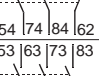
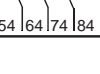
AC Voltages [V]	24	110	120	230	240	400	480	600
50 Hz	—	D	—	—	—	—	—	—
60 Hz	—	—	D	—	—	—	B	VC
50/60 Hz	<b>KJ</b>	—	—	KF	<b>KA</b>	<b>KN</b>	—	—

DC Voltages [V]	12	24	110	125	220	250
Standard	ZQ	ZJ	ZD	ZS	ZA	ZT
with Integrated Diode	—	<b>DJ</b>	—	—	—	—




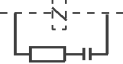
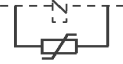



Auxiliary Contact Blocks

	Description	Connection Diagrams			For Use With	Pkg. Qty.	Cat. No.	
			N.O.	N.C.				
	<b>Front-Mounted Auxiliary Contacts</b> Auxiliary contact blocks 2- and 4-pole versions Choice of contact configurations Snap on, no tools required Electronic-compatible bifurcated contacts for signals down to 15V/2 mA Mirror Contact performance per IEC 60947-4-1		0	2	100-K05...K12@10	1	100-KFC02	
			1	1	100-K05...K12@10	1	<b>100-KFC11</b>	
			2	0	100-K05...K12@10	1	100-KFC20	
			0	4	100-K05...K12@10	1	100-KFC04	
			1	3	100-K05...K12@10	1	100-KFC13	
			3	1	100-K05...K12@10	1	100-KFC31	
			2	2	100-K05...K12@10	1	<b>100-KFC22</b>	
			4	0	100-K05...K12@10	1	<b>100-KFC40</b>	
				0	2	100/104-K, 700-K	1	100-KFA02E
				1	1	100/104-K, 700-K	1	100-KFA11E
			2	0	100/104-K, 700-K	1	100-KFA20E	
			0	4	100/104-K, 700-K	1	<b>100-KFA04E</b>	
			1	3	100/104-K, 700-K	1	100-KFA13E	
			2	2	100/104-K, 700-K	1	<b>100-KFA22Z</b>	
		3	1	100/104-K, 700-K	1	<b>100-KFA31Z</b>		
		4	0	100/104-K, 700-K	1	<b>100-KFA40E</b>		





2

**Control Modules**

	Description		Connection Diagrams	For Use With	Pkg. Qty.	Cat. No.	
	<b>Mechanical Interlock</b> For interlocking of two adjacent contactors No added width to contactor assembly Front mount Plug-In type Optional auxiliary contact blocks and suppressor modules mount onto the interlock			100-K, 700-K (AC & DC Control)	1	100-KMCH	
	<b>RC Suppressor</b>	24...48V AC		100/104-K, 700-K	1 *	100-KFSC50	
		110...280V AC			1 *	100-KFSC280	
		380...480V AC			1 *	100-KFSC480	
	<b>MOV Suppressor</b>	12...55V AC, 12...77V DC		100/104-K, 700-K	1 *	100-KFSV55	
		56...136V AC, 78...180V DC				1 *	100-KFSV136
		137...277V AC, 181...250V DC				1 *	100-KFSV277
<b>Diode Suppressor</b>	12...250V DC		100/104-K, 700-K	1 *	100-KFSD250		

\* May be ordered in package quantities of 10. Add letter M to the end of the cat. no. Example: **100-KFSC50M**.



**Connecting Components**

	Description		For Use With	Pkg. Qty.	Cat. No.
	<b>ECO Connecting Module — 12 A</b> For DOL and reversing starters Eco-starters mount on single DIN Rail (140M on DIN Rail) Electrical and mechanical interconnection of 140M MPCB and 100-K contactors	Connects: 140M-C circuit breakers with 100-K contactors	140M-C to 100-K	1 *	<b>140M-C-PEK12</b>
	<b>Power Wiring Kit</b>	For Reversing and Star/Delta combinations. Star-point bridge not included.	100-K	1	100-KPR
	<b>Feeder Terminal for Compact Bus Bars</b> Max. current 34 A	Supply of compact bus bars	100-K	1	100-KWT
	<b>Three-Phase Compact Bus Bars</b> Max. current 34 A	For 100-K, 5...12 A contactors 45 mm spacing (3 connections)*	100-K	1	100-KW453
		For 100-K, 5...12 A contactors 45 mm spacing (4 connections)*	100-K	1	100-KW454

\* May be ordered in package quantities of 10. Add letter M to the end of the cat. no. Example: **140M-C-PEK12M**.

\* Combinations possible. Example: For 6 contactor connections use one cat. no. 100-KW453 and one cat. no. 100-KW454.

**Marking Systems**

	Description	Pkg. Qty.	Cat. No.
	<b>Label Sheet</b> 105 self-adhesive paper labels each, 6 x 17 mm	10	<b>100-FMS</b>
	<b>Snap-In Hinged Marker Card</b>	5	<b>1492-MH6X12</b>