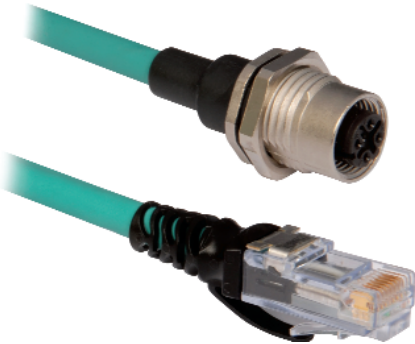


Ethernet Media  
**Cordsets & Patchcords**  
 M12 Receptacle Flex-Rated

Ethernet Media



4-Pin M12 D-Code Receptacle to RJ45 Patchcord

**Features**

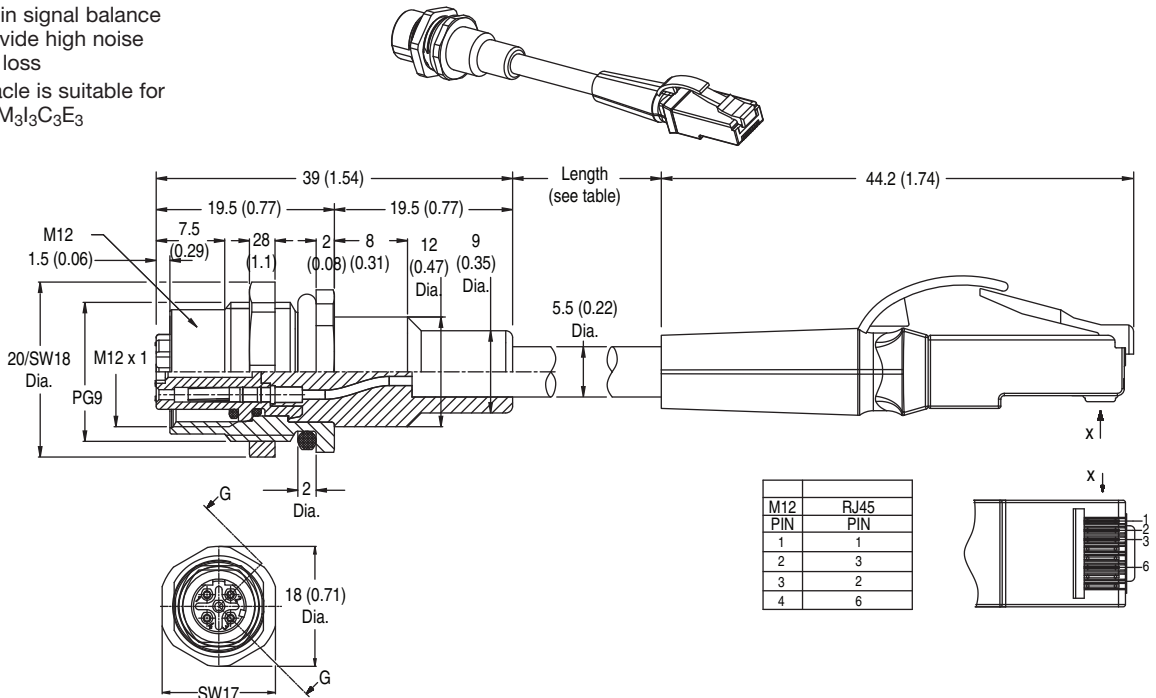
- Suitable for IP67 applications and harsh industrial environments where extreme vibration, shock, chemicals, and temperature are found
- Flex-rated cable (cable must be tied down and not flexed within six inches of the connector)
- Designed to ODVA EtherNet/IP specifications and ISO IEC 24702, IEC 61918
- Twisted pairs maintain signal balance through cable to provide high noise immunity and return loss
- M12 D-code receptacle is suitable for noisy environments M<sub>3</sub>1<sub>3</sub>C<sub>3</sub>E<sub>3</sub>

**Specifications**


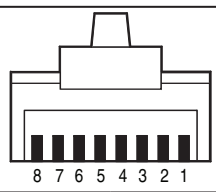
Mechanical	
Coupling Nut Material	Nickel-plated brass
Contact Material	Gold-plated brass
Cable Type	Unshielded Teal TPE, 4-conductor, stranded tinned wire, Industrial Cat5e, UL Listed, weld splatter, sun light and oil resistant
Cable Diameter [mm (in.)]	5.84 (0.23)
Mounting	Front-mount
Electrical	
Cable Rating	Unshielded: Standard TIA 568-B, flex rated, 24 AWG: UL, CMA, CMX, cUL and CMG Shielded: Standard TIA 568-B, flex rated, 26 AWG, halogen-free, C(ETL)US Type CMX
Voltage	300V
Environmental	
Enclosure Type Rating	IP67
Operating Temperature [C (F)]	-40...+75 ° (-40...+167 °)

**Approximate Dimensions**

Dimensions are in millimeters (inches). Illustrations are not drawn to scale.



**Pinout**

Face View Pinout (Female)	Face View RJ45 Pinout	
	4-Pin	
		
1 White/Orange 2 White/Green 3 Orange 4 Green	1 White/Orange 2 Orange 3 White/Green 4 Blue 5 White/Blue 6 Green 7 White/Brown 8 Brown	TxData + TxData - Recv Data + Unused Unused Recv Data - Unused Unused

**Product Selection**

**M12 to RJ45 Patchcord**

First End Connector	Second End Connector	Cable Type	Cat. No.*
Female M12 D-Code Receptacle, Front Mount	RJ45	Unshielded twisted pair, 4-Conductor, Teal TPE, Flex Rated	<b>1585D-D4TBJM-2</b>
		Foil and braided shield, 4 conductor, teal PUR, flex rated, halogen-free	<b>1585D-D4UBJM-2</b>

\* Replace -2 (2 m) with 1 (1 m), 5 (5 m) or 15 (15 m) for additional standard cable lengths.