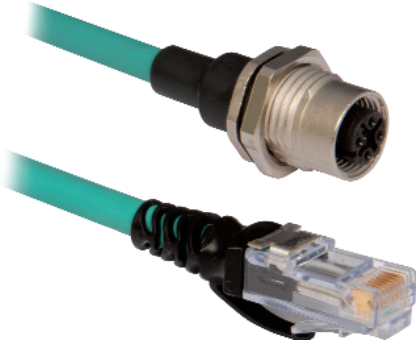


Ethernet Media

Cordsets & Patchcords

M12 Receptacle Flex-Rated



4-Pin M12 D-Code Receptacle to RJ45 Patchcord

Features

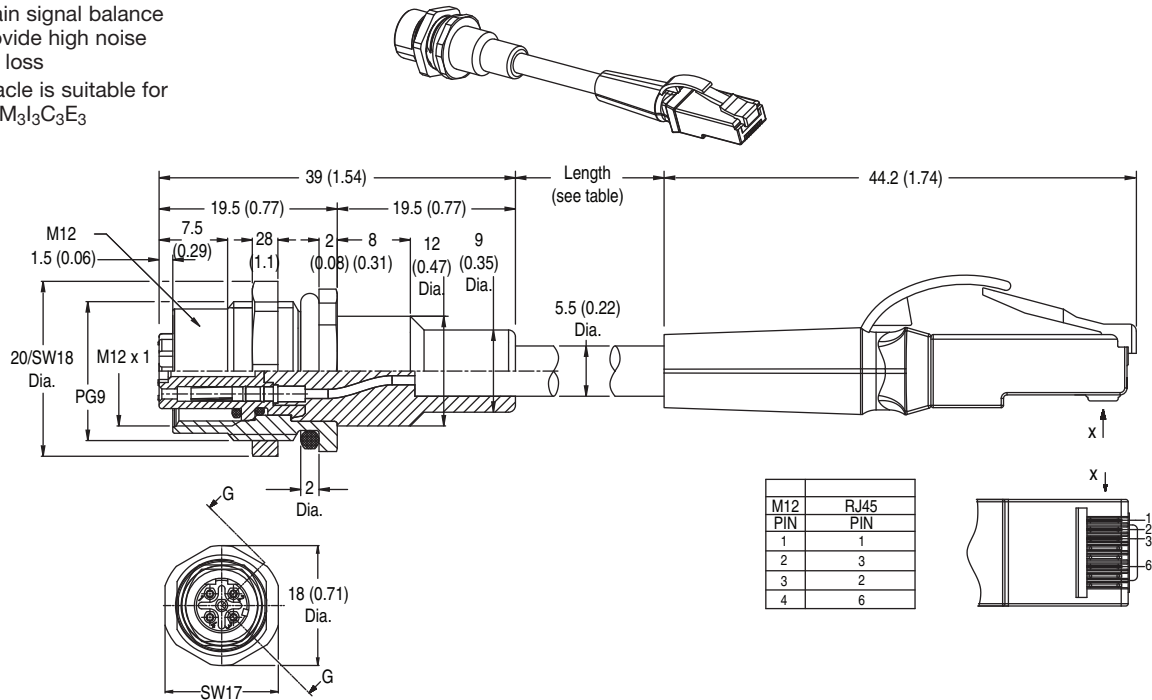
- Suitable for IP67 applications and harsh industrial environments where extreme vibration, shock, chemicals, and temperature are found
- Flex-rated cable (cable must be tied down and not flexed within six inches of the connector)
- Designed to ODA EtherNet/IP specifications and ISO IEC 24702, IEC 61918
- Twisted pairs maintain signal balance through cable to provide high noise immunity and return loss
- M12 D-code receptacle is suitable for noisy environments M₃I₃C₃E₃

Specifications


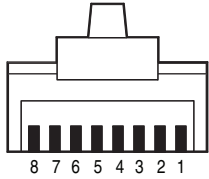
Mechanical	
Coupling Nut Material	Nickel-plated brass
Contact Material	Gold-plated brass
Cable Type	Unshielded Teal TPE, 4-conductor, stranded tinned wire, Industrial Cat5e, UL Listed, weld splatter, sun light and oil resistant
Cable Diameter [mm (in.)]	5.84 (0.23)
Mounting	Front-mount
Electrical	
Cable Rating	Unshielded: Standard TIA 568-B, flex rated, 24 AWG: UL, CMA, CMX, cUL and CMG Shielded: Standard TIA 568-B, flex rated, 26 AWG, halogen-free, C(ETL)US Type CMX
Voltage	300V
Environmental	
Enclosure Type Rating	IP67
Operating Temperature [C (F)]	-40...+75 ° (-40...+167 °)

Approximate Dimensions

Dimensions are in millimeters (inches). Illustrations are not drawn to scale.



Pinout

Face View Pinout (Female)	Face View RJ45 Pinout																
4-Pin																	
																	
1 White/Orange 2 White/Green 3 Orange 4 Green	<table border="0"> <tr> <td>1 White/Orange</td> <td>TxData +</td> </tr> <tr> <td>2 Orange</td> <td>TxData -</td> </tr> <tr> <td>3 White/Green</td> <td>Recv Data +</td> </tr> <tr> <td>4 Blue</td> <td>Unused</td> </tr> <tr> <td>5 White/Blue</td> <td>Unused</td> </tr> <tr> <td>6 Green</td> <td>Recv Data -</td> </tr> <tr> <td>7 White/Brown</td> <td>Unused</td> </tr> <tr> <td>8 Brown</td> <td>Unused</td> </tr> </table>	1 White/Orange	TxData +	2 Orange	TxData -	3 White/Green	Recv Data +	4 Blue	Unused	5 White/Blue	Unused	6 Green	Recv Data -	7 White/Brown	Unused	8 Brown	Unused
1 White/Orange	TxData +																
2 Orange	TxData -																
3 White/Green	Recv Data +																
4 Blue	Unused																
5 White/Blue	Unused																
6 Green	Recv Data -																
7 White/Brown	Unused																
8 Brown	Unused																

Product Selection

M12 to RJ45 Patchcord

First End Connector	Second End Connector	Cable Type	Cat. No.*
Female M12 D-Code Receptacle, Front Mount	RJ45	Unshielded twisted pair, 4-Conductor, Teal TPE, Flex Rated	1585D-D4TBJM-2
		Foil and braided shield, 4 conductor, teal PUR, flex rated, halogen-free	1585D-D4UBJM-2

* Replace -2 (2 m) with 1 (1 m), 5 (5 m) or 15 (15 m) for additional standard cable lengths.