

Installation and Operating Instructions

Bulletin 440P DIN 50047 IEC/Small Plastic Body Safety Limit Switch

IMPORTANT: Installation of Allen-Bradley/ Guardmaster products should be in accordance with local and/or national codes. Servicing energized industrial control equipment can be hazardous if not in accordance to recommended safety procedures.

Specifications

AC/DC Designation	A600; Q600
AC/DC Utilization Category	Alternate current: AC15 (50/60 Hz) Ue (V): 120 240 500 600 Ie (A): 6 3 1.4 1.2 Direct current: DC13 Ue (V): 125 250 500 600 Ie (A): 0.55 0.27 0.13 0.1
Max. Fusing Rate	8A fast acting
Impulse Voltage (Uimp)	2500V
Enclosure Protection	IP66
Pollution Degree	3
Storage Temperature	80°C (176°F)/-25°C (-13°F)
Operating Temperature	80°C (176°F)/-25°C (-13°F)
Direct Opening Action	Normally closed only (safety circuit)
Conductor Sizes	Use copper conductors only
Stranded	0.75mm ² to 2.5mm ² (0.02in ² to 0.09in ²) (18-14AWG)
Solid	0.75mm ² to 2.5mm ² (0.02in ² to 0.09in ²) (18-16AWG)

See the *Sensors* catalog for additional information and product selection.



ATTENTION: Operator heads with adjustable or flexible actuators are NOT intended for safety applications.

Torque/Mounting

Location	Torque
Heads	0.4-0.45Nm
Covers	0.4-0.45Nm
M4 Mounting	2.5-3.0Nm
Wire Clamp	0.9-1.0Nm
Lever Clamp	1.4-1.5Nm
Conduit	1.0Nm

Rotating Operator Heads

When rotating operator heads, follow these steps:

1. Loosen the head mounting screws and remove the operating head from the switch enclosure.

IMPORTANT: Internal operator head components can become dislodged when removing operator heads. Use caution during removal and assembly.

2. Orient the operator head in 1 of the 4 positions offered. Make sure the loose parts are positioned correctly before affixing the operator head to the switch enclosure.
3. Tighten the 4 screws per the recommended torque specifications above.

IMPORTANT: Check for switch operation with a continuity indicator before placing product in service.

Typical Wiring Diagrams

Connector Ratings

	Max. Ratings		Applicable Standards
	AC	DC	
4-Pin Micro (M12)	250V, 4 A	250V, 4 A	IEC 61076-2-101:2003
6-Pin Micro (M12)	30V, 2 A	30V, 2 A	IEC 61076-2-101:2003

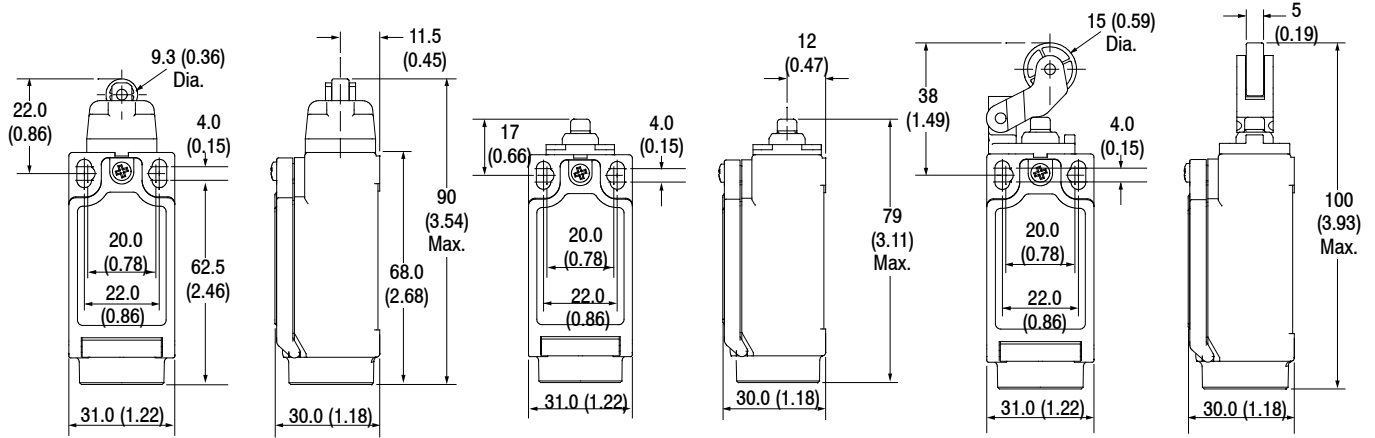
Two-Circuit Type D4 4-Pin Micro Connector

Connector Pinout		4 N.C.	
		Terminal	Contact
	1	11	N.C.
	3	12	N.C.
	2	23	N.O.
	4	24	N.O.

Three-Circuit Type R6 6-Pin Micro Connector

Connector Pinout		4 N.C.		4 N.C.	
		Terminal	Contact	Terminal	Contact
	1	11	N.C.	11	N.C.
	5	12	N.C.	12	N.C.
	2	21	N.O.	21	N.O.
	6	22	N.O.	22	N.O.
3	33	N.O.	33	N.O.	
4	34	N.O.	34	N.O.	

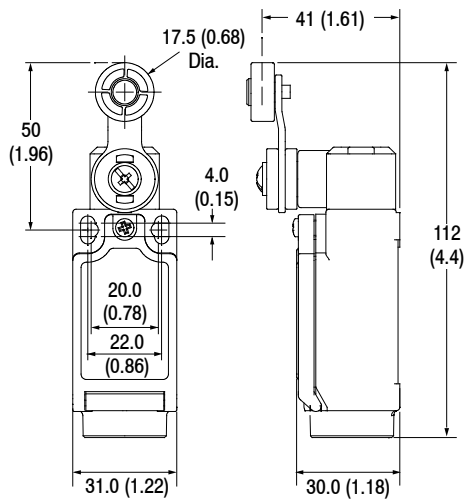
Open Conduit Dimensions—mm (inches)



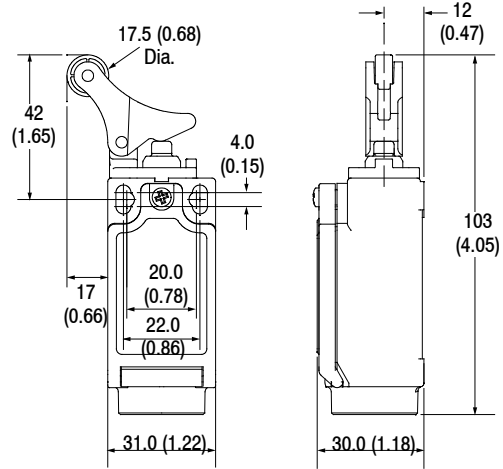
Roller Plunger

Dome Plunger

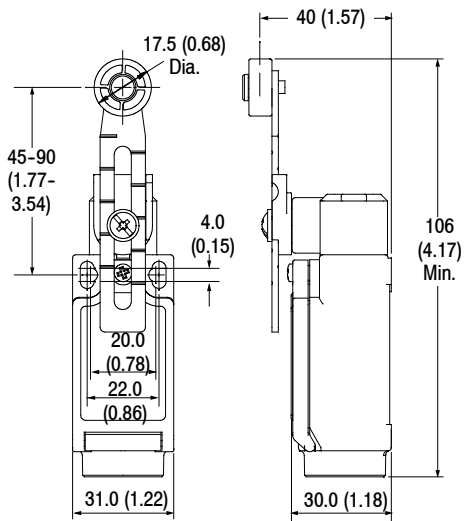
Hinge Lever



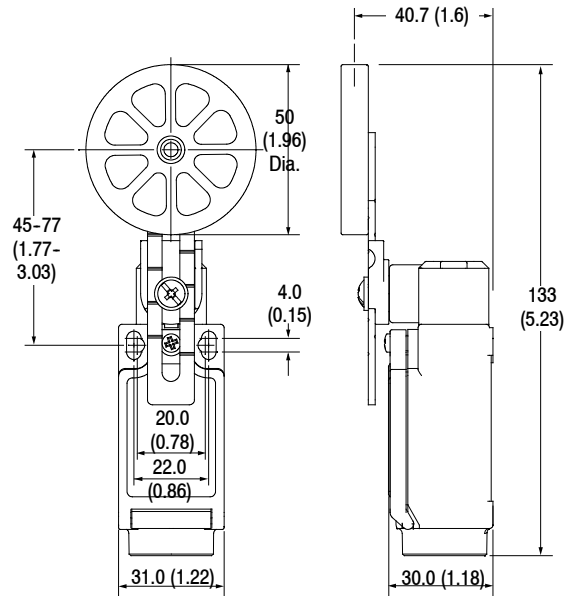
Short Lever



Offset Hinge



Adjustable Lever



Rubber Roller