





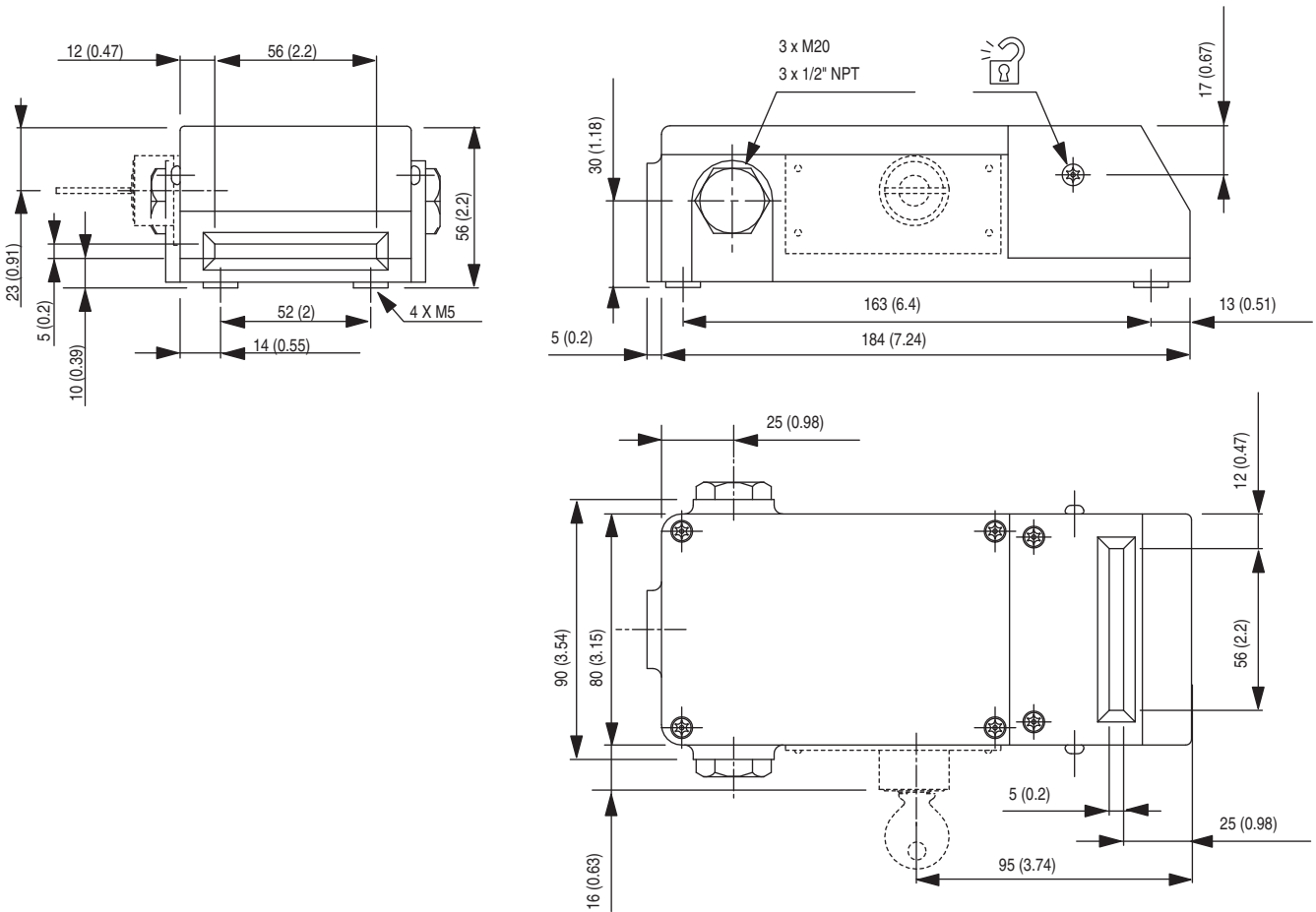
Safety Switches  
**Guard Locking Switches**  
 Atlas™ 5

Accessories

Description	Dimensions	Cat. No.
 Standard actuator	3-50	440G-A07136
 Atlas Replacement End Cap	—	440G-A07180
 Fully flex actuator	3-50	440G-A07269
 Dust Cover	—	440K-A17181

Approximate Dimensions

Dimensions are shown in mm (in.). Dimensions are not intended to be used for installation purposes.



Note: 2D, 3D and electrical drawings are available on [www.ab.com](http://www.ab.com).

3-Interlock  
Switches