

Locking Attachment

(Cat __-ASL23A)



ATTENTION: To prevent electrical shock, disconnect from power source before installing or servicing.

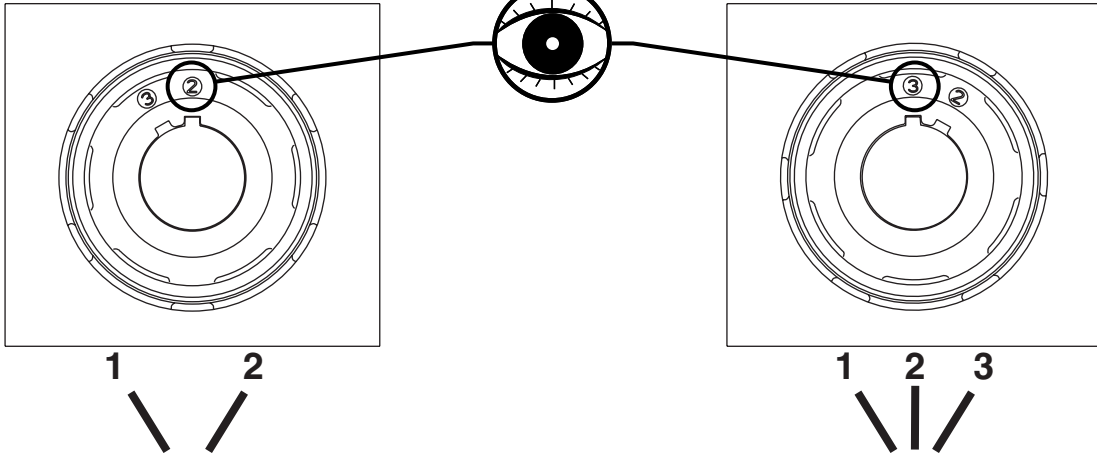


For use on a flat surface of a Type 4, 4x or 13 enclosure.

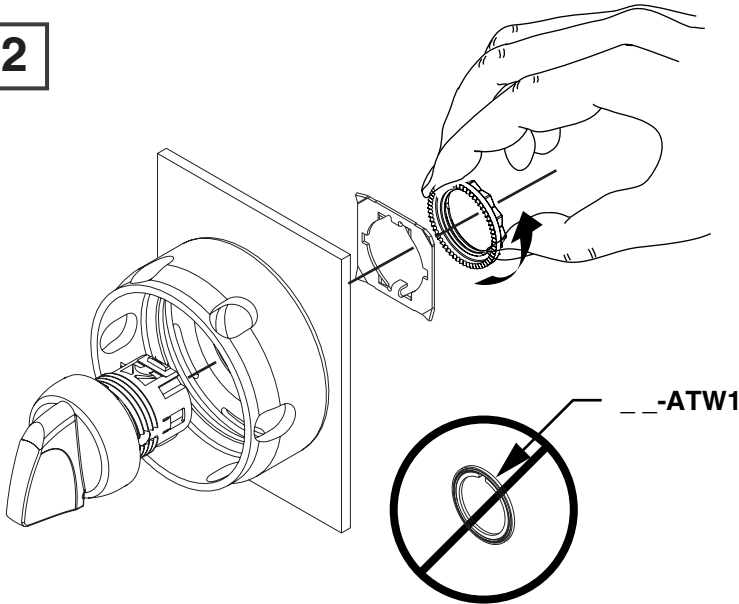
IEC: 1P66



1



2



3

