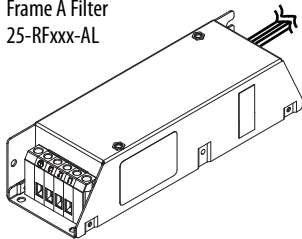




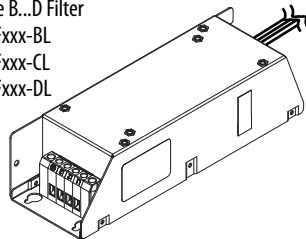
PowerFlex 520-Series EMC Filter Installation

Catalog Numbers: 25-RF011-AL, 25-RF023-BL, 25-RF014-AL, 25-RF021-BL, 25-RF027-CL, 25-RF035-DL, 25-RF056-EL, 25-RF7P5-AL, 25-RF014-BL, 25-RF018-CL, 25-RF033-DL, 25-RF039-EL, 25-RF8P0-BL, 25-RF014-CL, 25-RF027-DL, 25-RF029-EL

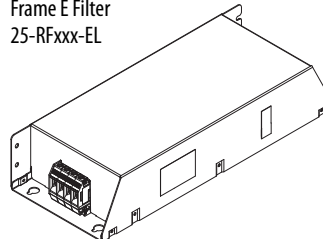
Frame A Filter
25-RFxxx-AL



Frame B...D Filter
25-RFxxx-BL
25-RFxxx-CL
25-RFxxx-DL



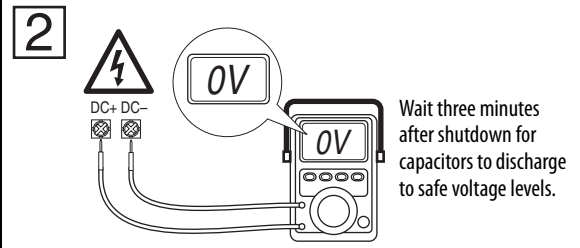
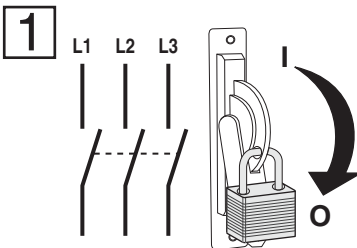
Frame E Filter
25-RFxxx-EL



Note: The drive side for all frame A...D filters is prewired with three or four wires depending on number of phases.

Filter Mounting

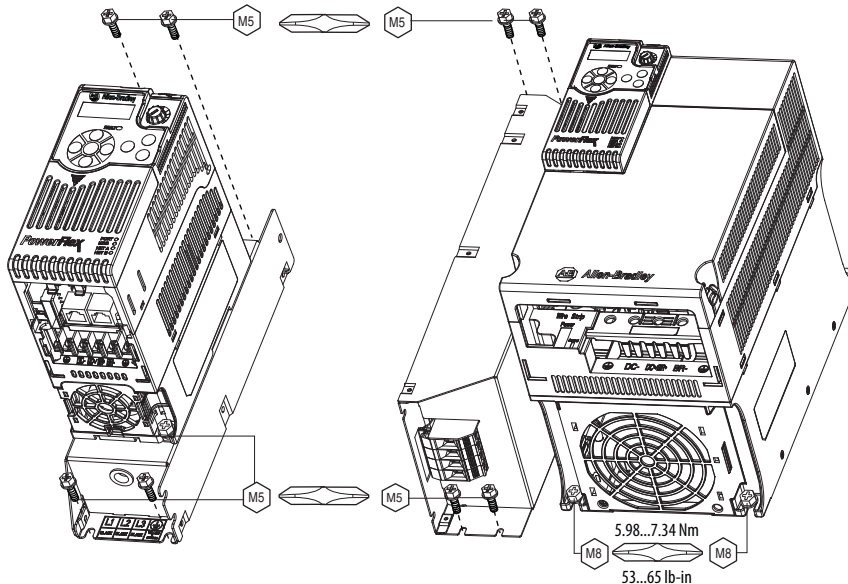
Frame	Screw Size	Screw Torque
A	M5 (#10...24)	1.56...1.96 Nm (14...17 lb-in)
B	M5 (#10...24)	1.56...1.96 Nm (14...17 lb-in)
C	M5 (#10...24)	1.56...1.96 Nm (14...17 lb-in)
D	M5 (#10...24)	2.45...2.94 Nm (21.7...26 lb-in)
E	M5 (#10...24)	1.56...1.96 Nm (14...17 lb-in)



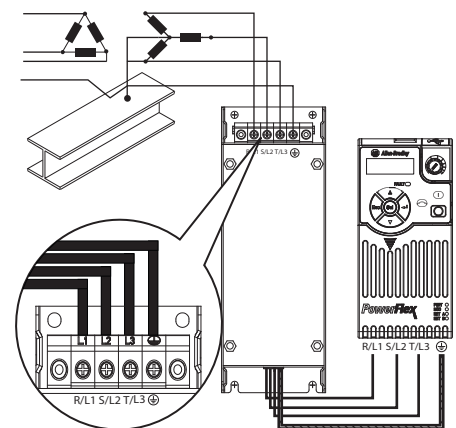
3 Mount the EMC Filter to the Drive

For Frame A...D

For Frame E



Filter Terminal Wiring



Frame	Wire Gauge	Screw Torque
A...D	0.32...8.4 mm ² (22...8 AWG)	1.59...1.94 Nm (14.1...17.2 lb-in)
E	2.1...26.7 mm ² (14...3 AWG)	3.09...3.77 Nm (27.3...33.4 lb-in)

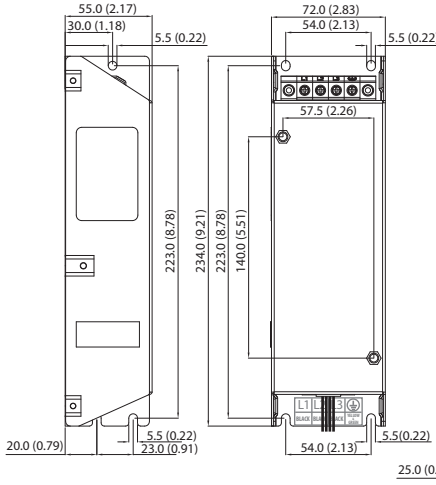
ATTENTION:

- All Frame E filters **must** be mounted on its side.
- 600V Frame A drives can be mounted on Frame B filters.

Dimensions All dimensions are in mm (in.)

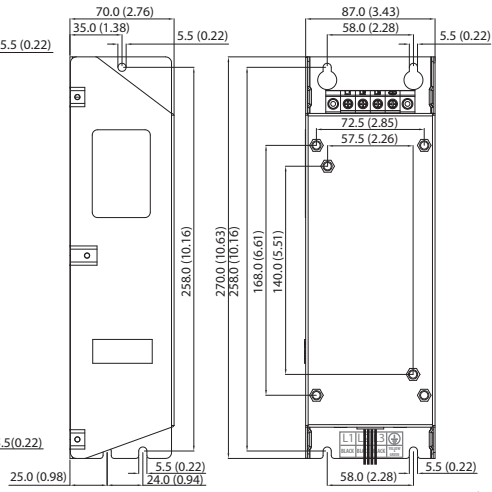
Frame A Filter

25-RF011-AL 25-RF7P5-AL
25-RF014-AL



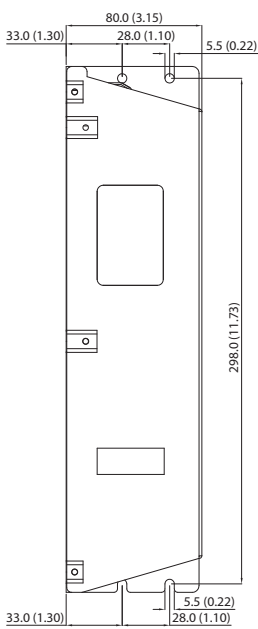
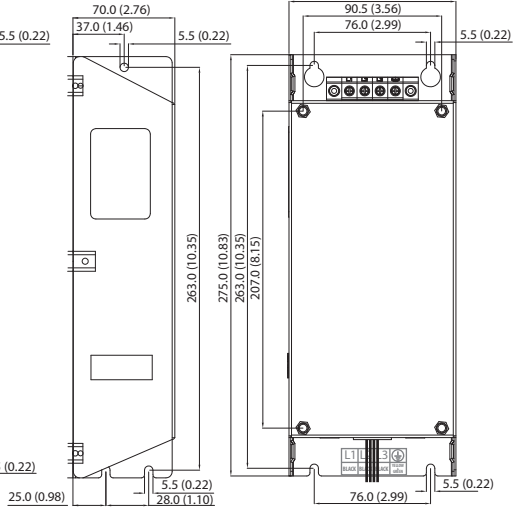
Frame B Filter

25-RF014-BL 25-RF023-BL
25-RF021-BL 25-RF8P0-BL



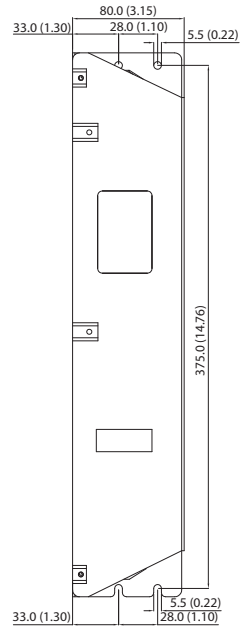
Frame C Filter

25-RF014-CL 25-RF027-CL
25-RF018-CL



Frame D Filter

25-RF027-DL
25-RF033-DL
25-RF035-DL



Frame E Filter

25-RF029-EL
25-RF039-EL
25-RF056-EL

U.S. Allen-Bradley Drives Technical Support - Tel: (1) 262.512.8176, Fax: (1) 262.512.2222, E-mail: support@drives.ra.rockwell.com
Online: <http://www.ab.com/support/abdrives>

Allen-Bradley, Rockwell Software, Rockwell Automation, PowerFlex and TechConnect are trademarks of Rockwell Automation, Inc.
Trademarks not belonging to Rockwell Automation are property of their respective companies.

www.rockwellautomation.com

Power, Control and Information Solutions Headquarters

Americas: Rockwell Automation, 1201 South Second Street, Milwaukee, WI 53204-2496 USA, Tel: (1) 414.382.2000, Fax: (1) 414.382.4444
Europe/Middle East/Africa: Rockwell Automation NV, Pegasus Park, De Kleetlaan 12a, 1831 Diegem, Belgium, Tel: (32) 2 663 0600, Fax: (32) 2 663 0640
Asia Pacific: Rockwell Automation, Level 14, Core F, Cyberport 3, 100 Cyberport Road, Hong Kong, Tel: (852) 2887 4788, Fax: (852) 2508 1846