



# PowerFlex 520-Series Control Module Fan Kit Installation

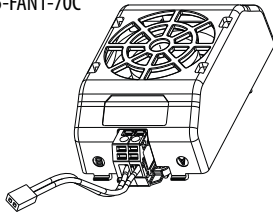
Catalog Numbers: 25-FAN1-70C, 25-FAN2-70C

## IMPORTANT

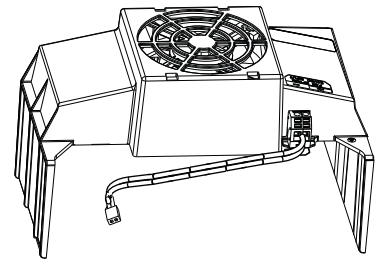
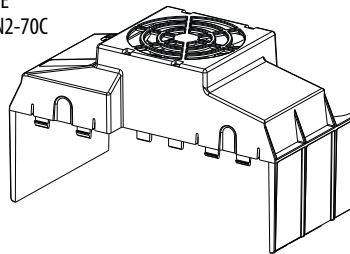
The PowerFlex 520-Series Control Module Fan Kit is required for the following installations:

- Horizontal mounting: up to 70 °C (max)
- Horizontal mounting and zero stacking: up to 65 °C (max)
- Vertical mounting: 60...70 °C (max)
- Vertical mounting and zero stacking: 55...65 °C (max)

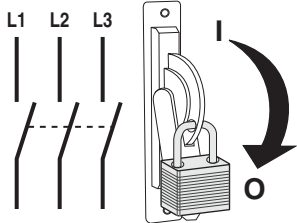
Frame A...D  
25-FAN1-70C



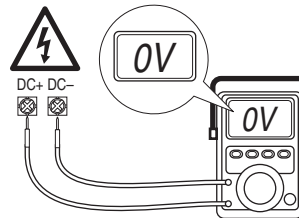
Frame E  
25-FAN2-70C



1



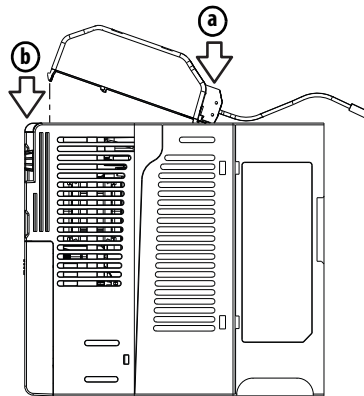
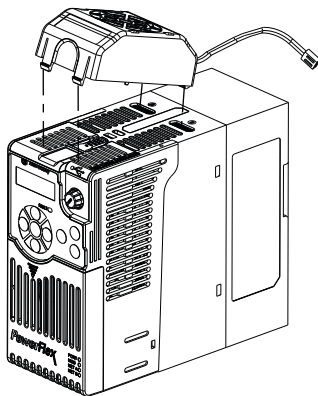
2



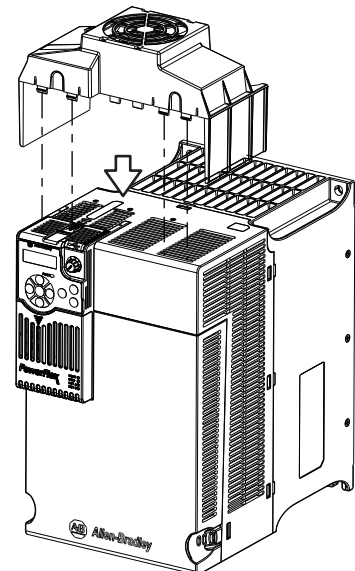
Wait three minutes after shutdown for capacitors to discharge to safe voltage levels.

3

Install the Control Module Fan For Frame A...D

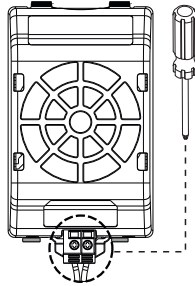


For Frame E



Note: Fan kit installs to the same location above the control module across all frame sizes except frame E.

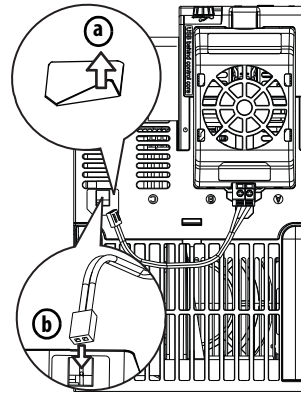
**4** Wiring the Control Module Fan  
**Frame A...C**



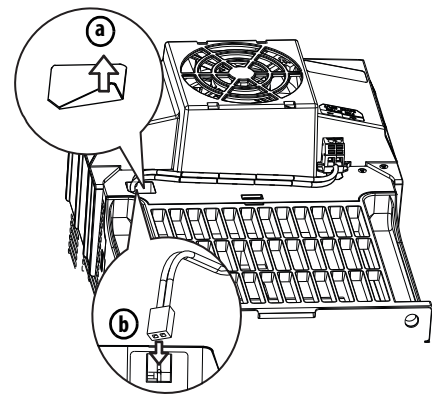
Note: An external 24V DC power source is required when using the Control Module Fan Kit with drive frames A, B, and C. Frames D and E have a built-in 24V supply.

| Wire Size                     | Torque                               | Voltage         | Amps          |
|-------------------------------|--------------------------------------|-----------------|---------------|
| 0.32 mm <sup>2</sup> (22 AWG) | 0.29...0.39 Nm<br>(2.6...3.47 lb-in) | 22.8...27.6V DC | 0.10...0.15 A |

**Frame D**



**Frame E**

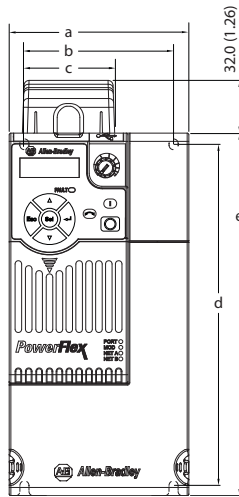


Note: Remove the label to access the built-in 24V supply on drive frames D and E.

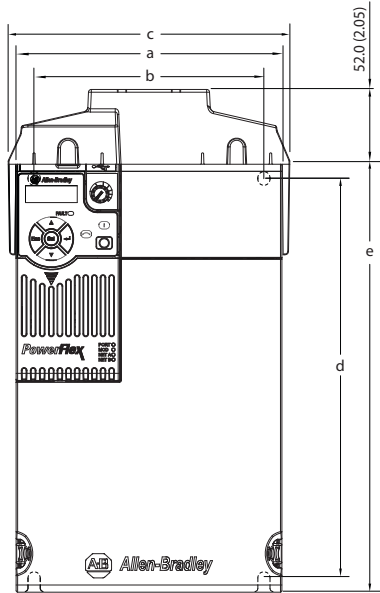
**Dimensions**

All dimensions are in mm (in.)

Frame A...D



Frame E



| Frame    | a            | b            | c            | d             | e             |
|----------|--------------|--------------|--------------|---------------|---------------|
| <b>A</b> | 72.0 (2.83)  | 57.5 (2.26)  | 56.0 (2.20)  | 140.0 (5.51)  | 152.0 (5.98)  |
| <b>B</b> | 87.0 (3.43)  | 72.5 (2.85)  | 56.0 (2.20)  | 168.0 (6.61)  | 180.0 (7.09)  |
| <b>C</b> | 109.0 (4.29) | 90.5 (3.56)  | 56.0 (2.20)  | 207.0 (8.15)  | 220.0 (8.66)  |
| <b>D</b> | 130.0 (5.12) | 116.0 (4.57) | 56.0 (2.20)  | 247.0 (9.72)  | 260.0 (10.24) |
| <b>E</b> | 185.0 (7.28) | 160.0 (6.30) | 196.0 (7.72) | 280.0 (11.02) | 300.0 (11.81) |

Note: Frames D and E cannot be mounted on a DIN-rail.

U.S. Allen-Bradley Drives Technical Support - Tel: (1) 262.512.8176, Fax: (1) 262.512.2222, E-mail: support@drives.ra.rockwell.com  
 Online: <http://www.ab.com/support/abdrives>.

Allen-Bradley, Rockwell Software, Rockwell Automation, PowerFlex, and TechConnect are trademarks of Rockwell Automation, Inc.  
 Trademarks not belonging to Rockwell Automation are property of their respective companies.

**www.rockwellautomation.com**

**Power, Control and Information Solutions Headquarters**

Americas: Rockwell Automation, 1201 South Second Street, Milwaukee, WI 53204-2496 USA, Tel: (1) 414.382.2000, Fax: (1) 414.382.4444  
 Europe/Middle East/Africa: Rockwell Automation NV, Pegasus Park, De Kleetlaan 12a, 1831 Diegem, Belgium, Tel: (32) 2 663 0600, Fax: (32) 2 663 0640  
 Asia Pacific: Rockwell Automation, Level 14, Core F, Cyberport 3, 100 Cyberport Road, Hong Kong, Tel: (852) 2887 4788, Fax: (852) 2508 1846

Publication 520-IN004B-EN-P - September 2013  
 Supersedes Publication 520-IN004A-EN-P - December 2012