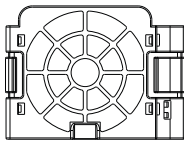


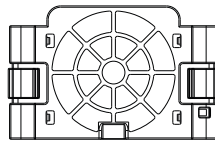


PowerFlex 520-Series Heatsink Fan Kit

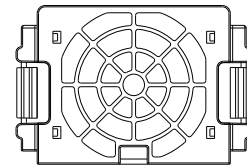
Catalog Numbers: 25-FAN1-FA, 25-FAN1-FB, 25-FAN1-FC, 25-FAN1-FD, 25-FAN1-FE



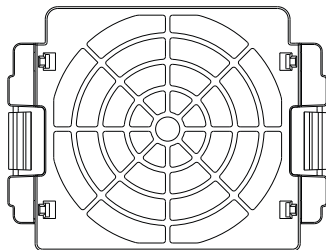
Frame A
25-FAN1-FA



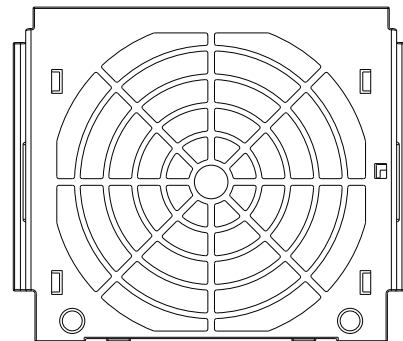
Frame B
25-FAN1-FB



Frame C
25-FAN1-FC

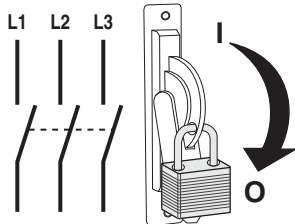


Frame D
25-FAN1-FD

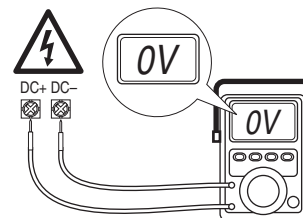


Frame E
25-FAN1-FE

1

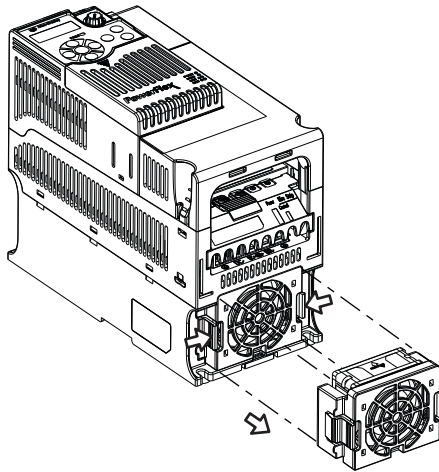


2

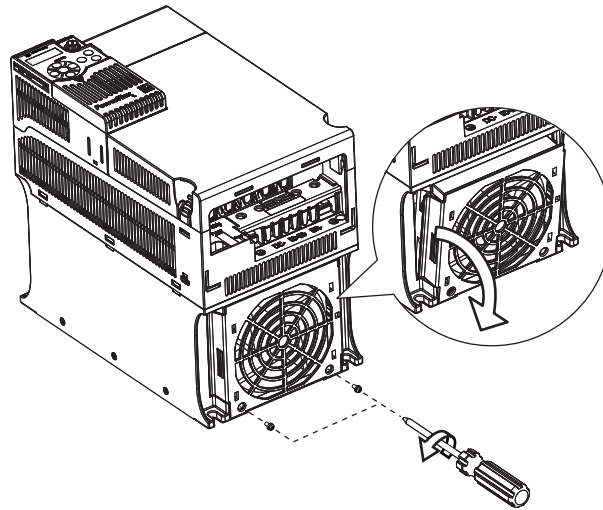


Wait three minutes after shutdown for capacitors to discharge to safe voltage levels.

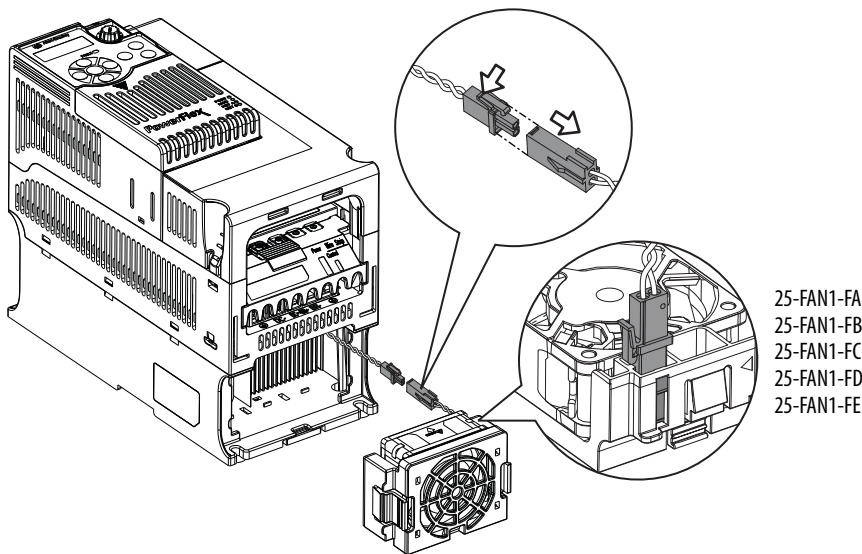
3 Remove Heatsink Fan from Power Module
For Frame A...D



For Frame E



4 Disconnect Heatsink Fan from Power Module
For All Frames



U.S. Allen-Bradley Drives Technical Support - Tel: (1) 262.512.8176, Fax: (1) 262.512.2222, E-mail: support@drives.ra.rockwell.com
Online: www.ab.com/support/abdrives

Allen-Bradley, Rockwell Software, Rockwell Automation, PowerFlex, and TechConnect are trademarks of Rockwell Automation, Inc.
Trademarks not belonging to Rockwell Automation are property of their respective companies.

www.rockwellautomation.com

Power, Control and Information Solutions Headquarters

Americas: Rockwell Automation, 1201 South Second Street, Milwaukee, WI 53204-2496 USA, Tel: (1) 414.382.2000, Fax: (1) 414.382.4444
Europe/Middle East/Africa: Rockwell Automation NV, Pegasus Park, De Kleetlaan 12a, 1831 Diegem, Belgium, Tel: (32) 2 663 0600, Fax: (32) 2 663 0640
Asia Pacific: Rockwell Automation, Level 14, Core F, Cyberport 3, 100 Cyberport Road, Hong Kong, Tel: (852) 2887 4788, Fax: (852) 2508 1846

Publication 520-IN003B-EN-P - September 2013
Supersedes Publication 520-IN003A-EN-P - December 2012