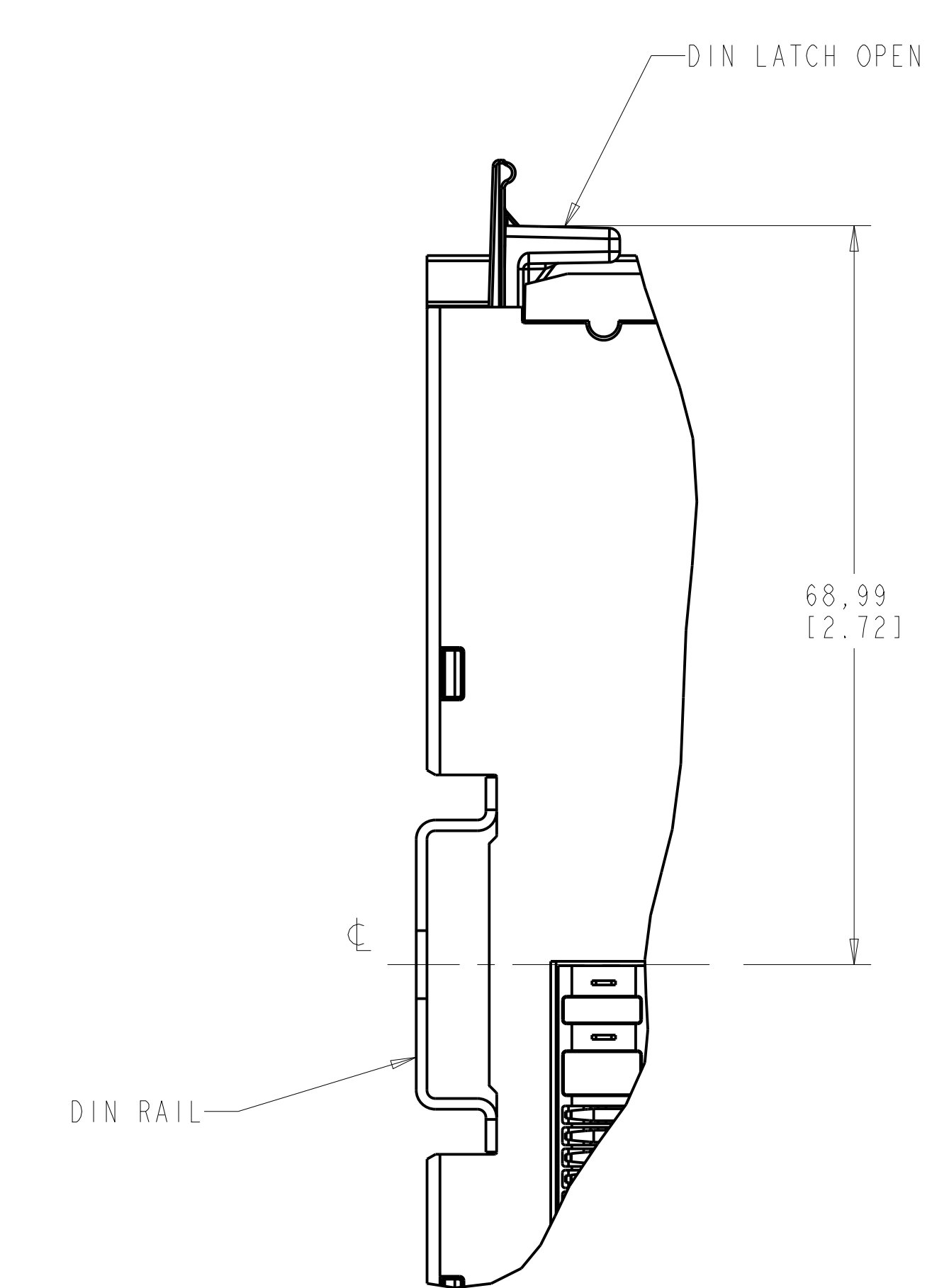
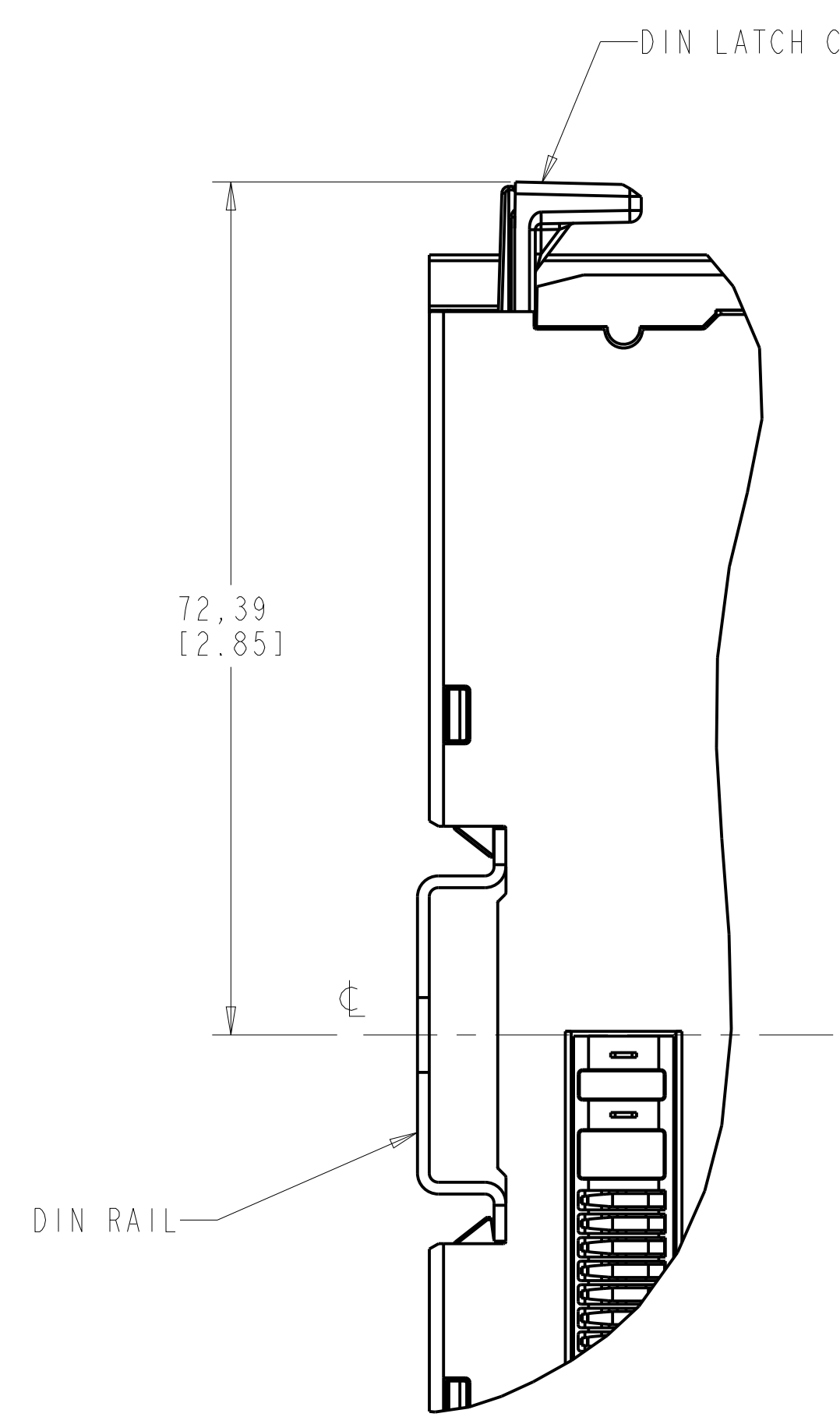
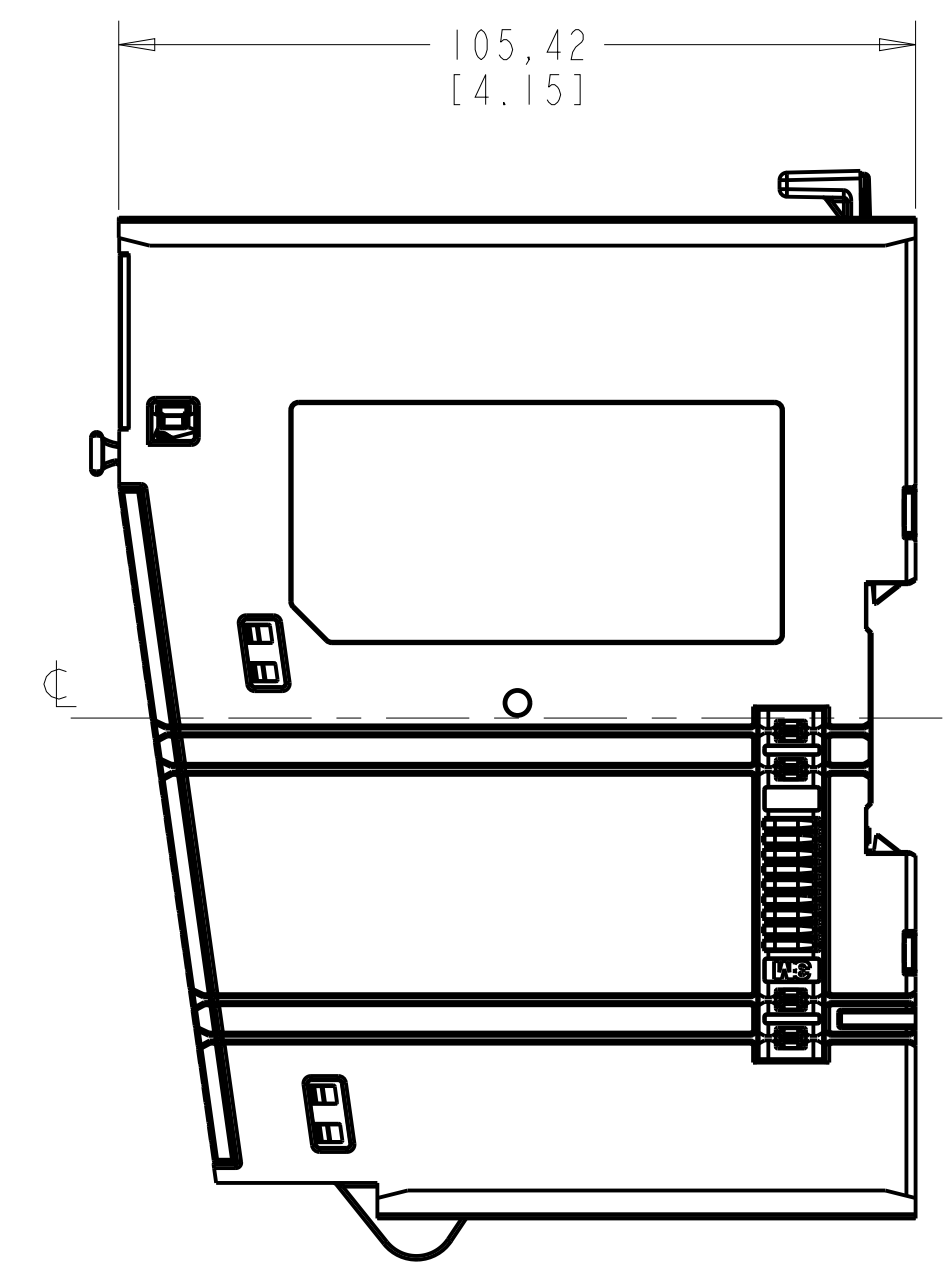
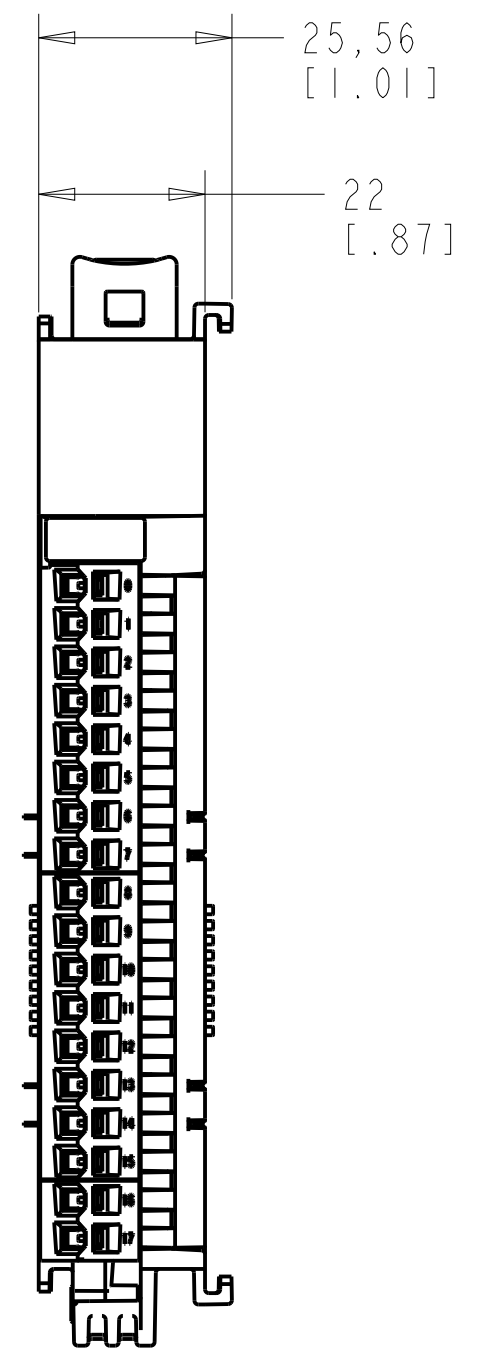
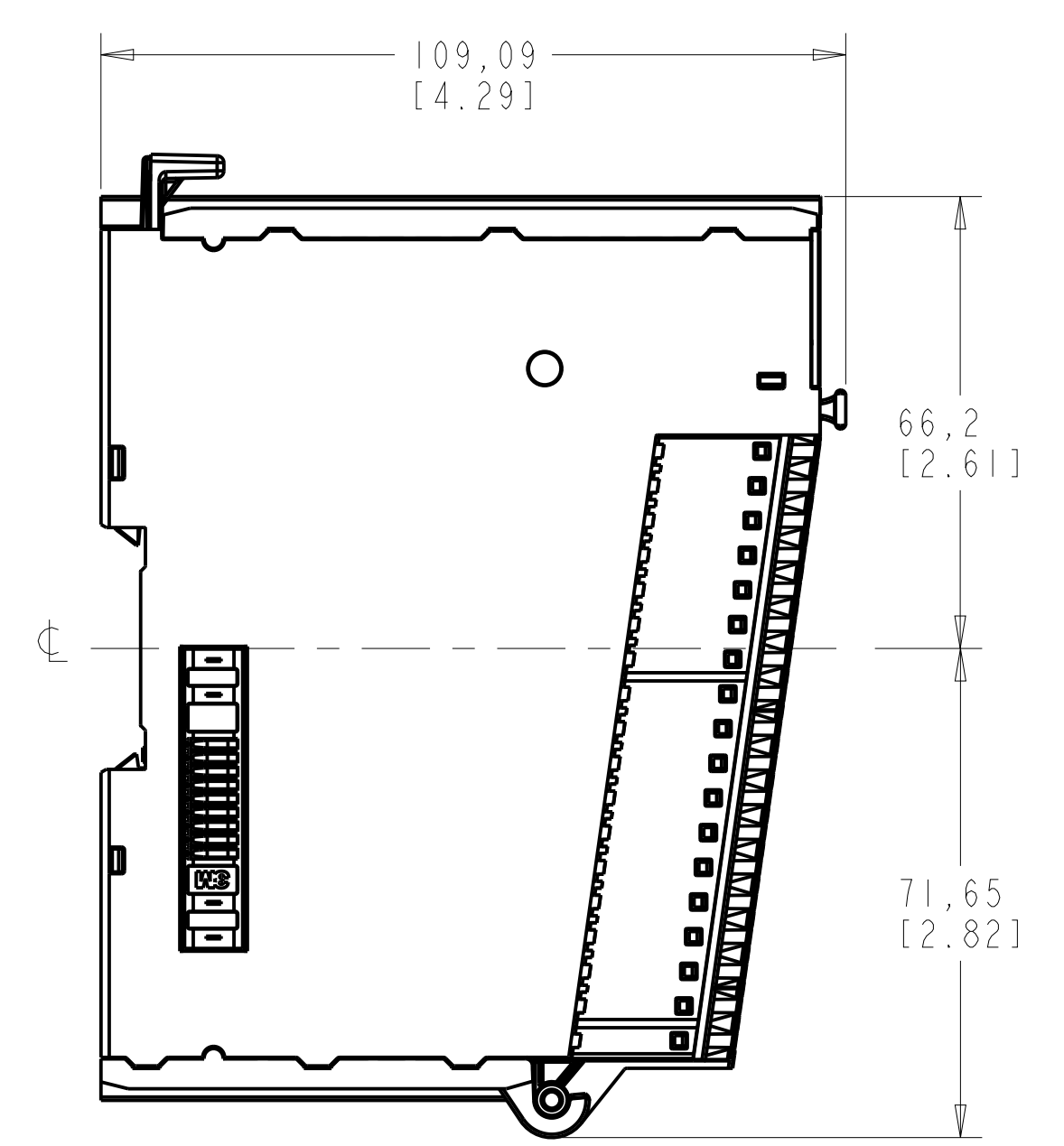
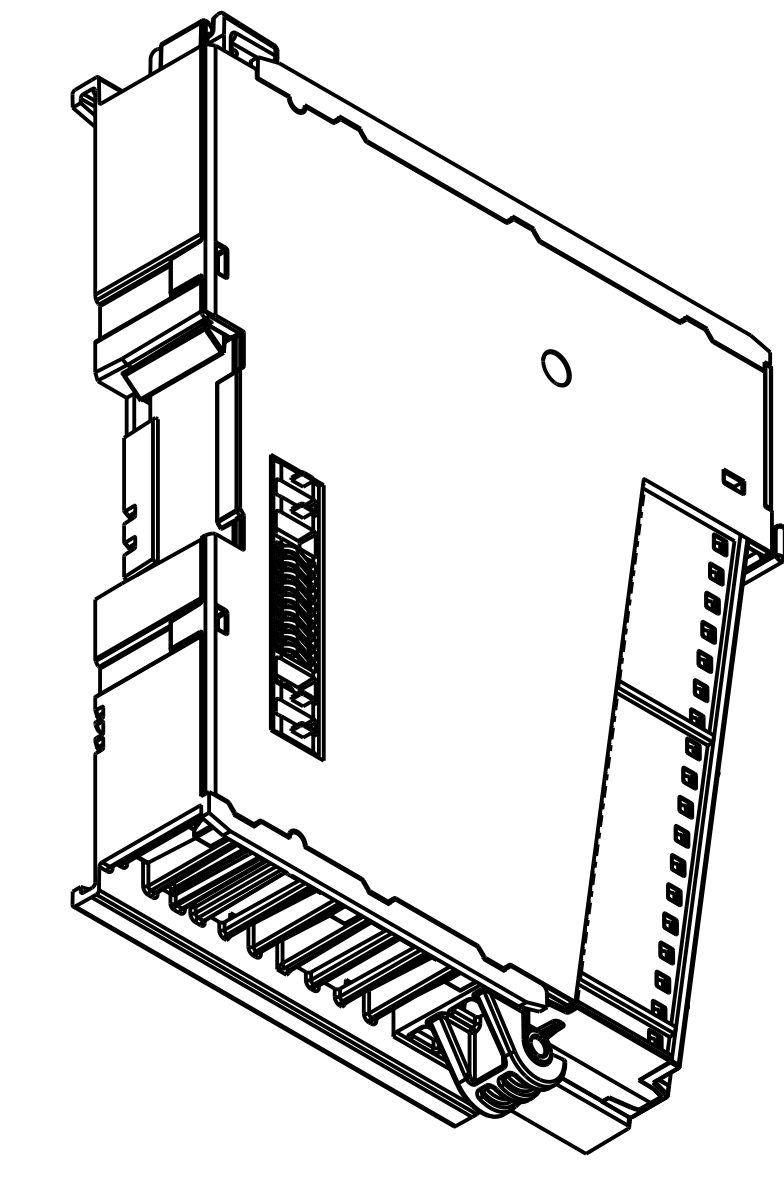
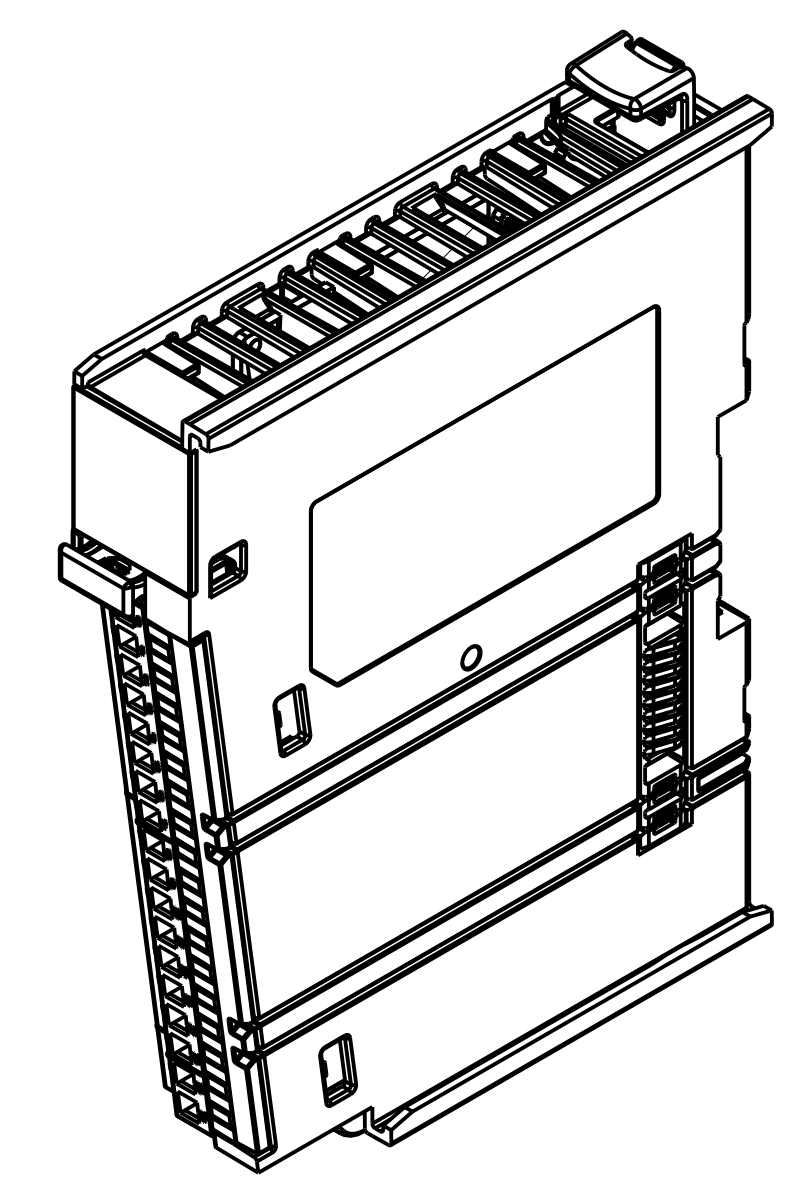
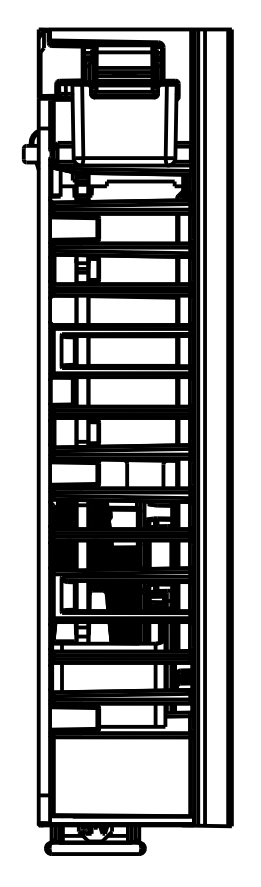


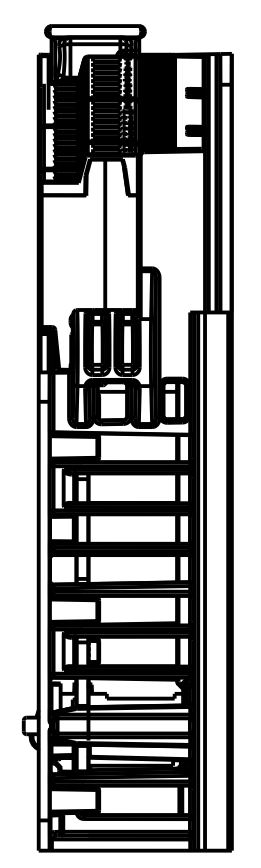
1 2 3 4 5 6 7 8

A
B
C
D
E
F
G
H



SCALE 2.000

SCALE 2.000



		<small>CONFIDENTIAL AND PROPRIETARY INFORMATION THIS DOCUMENT CONTAINS CONFIDENTIAL AND PROPRIETARY INFORMATION OF ROCKWELL AUTOMATION, INC. AND MAY NOT BE USED, COPIED OR DISCLOSED TO OTHERS, EXCEPT WITH THE AUTHORIZED WRITTEN PERMISSION OF ROCKWELL AUTOMATION, INC.</small>	
		5069, IO MODULE, ENVELOPE DRAWING	Sheet 1 Of 1
Drawn by: SREDDY2	Date: SEP-09-2014	D	10001306338
			Ver 00