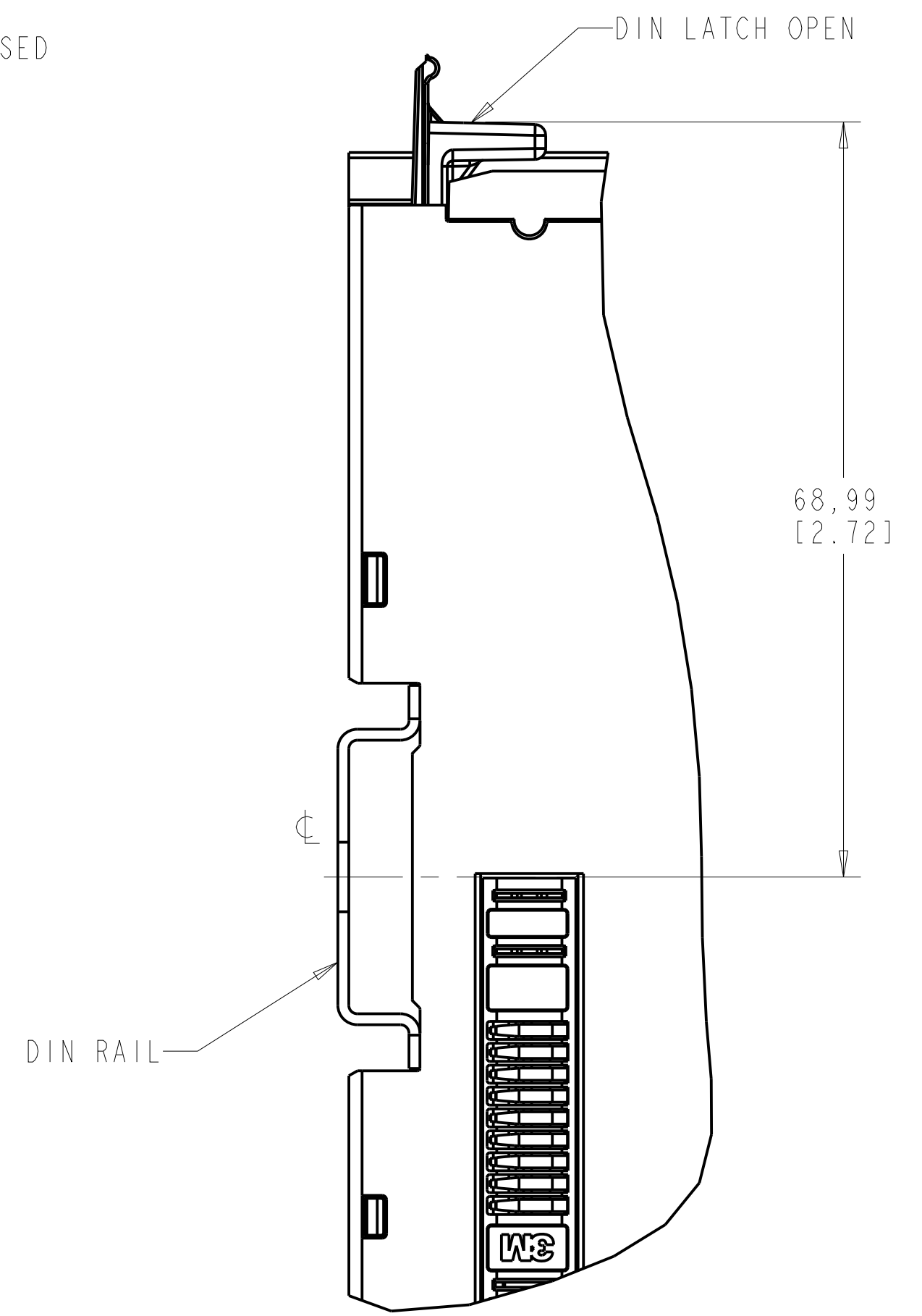
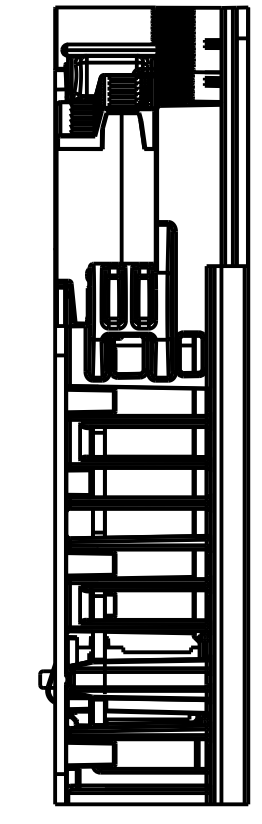
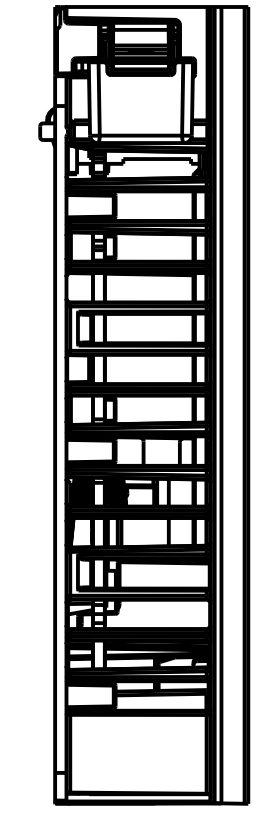
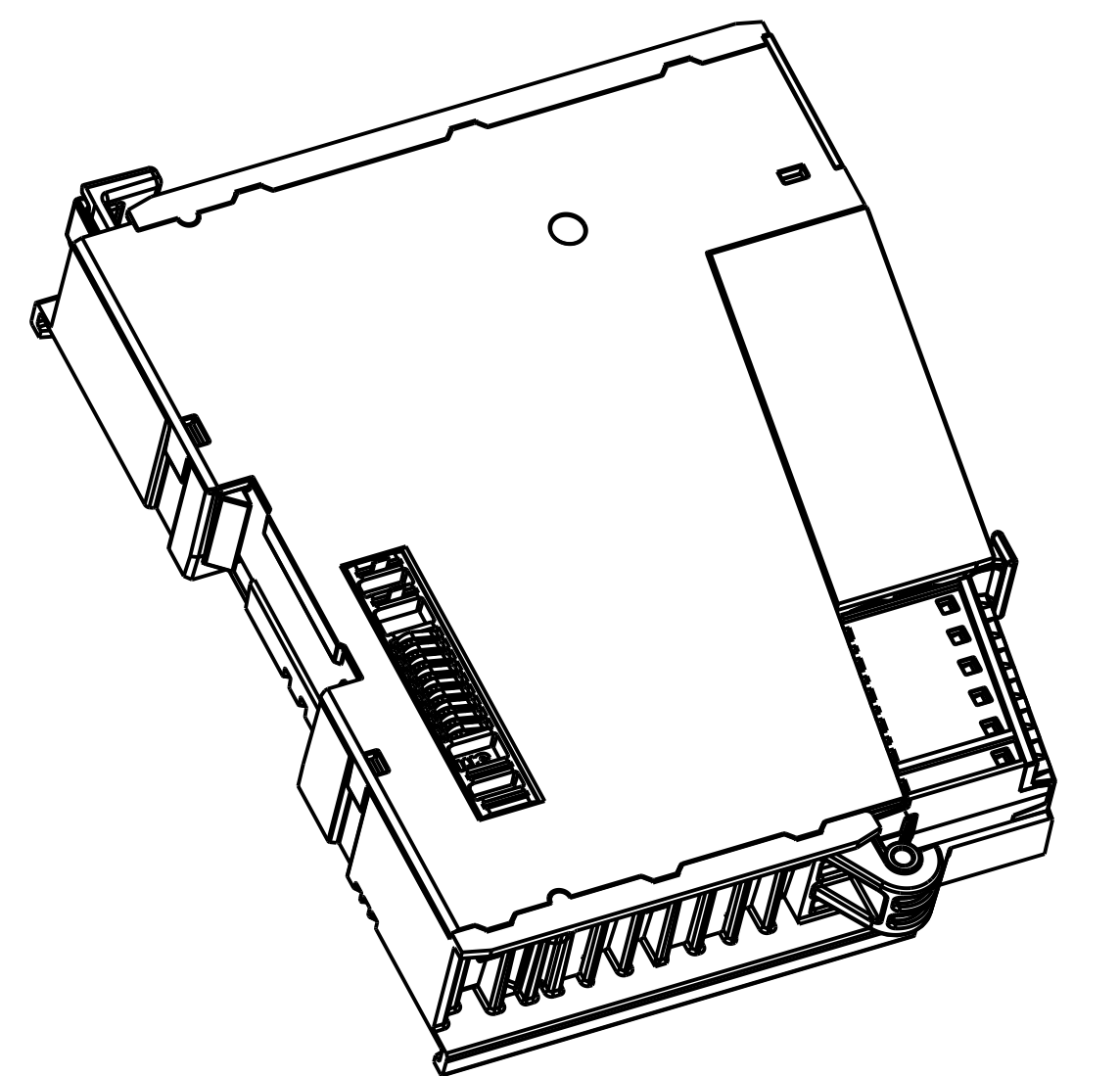
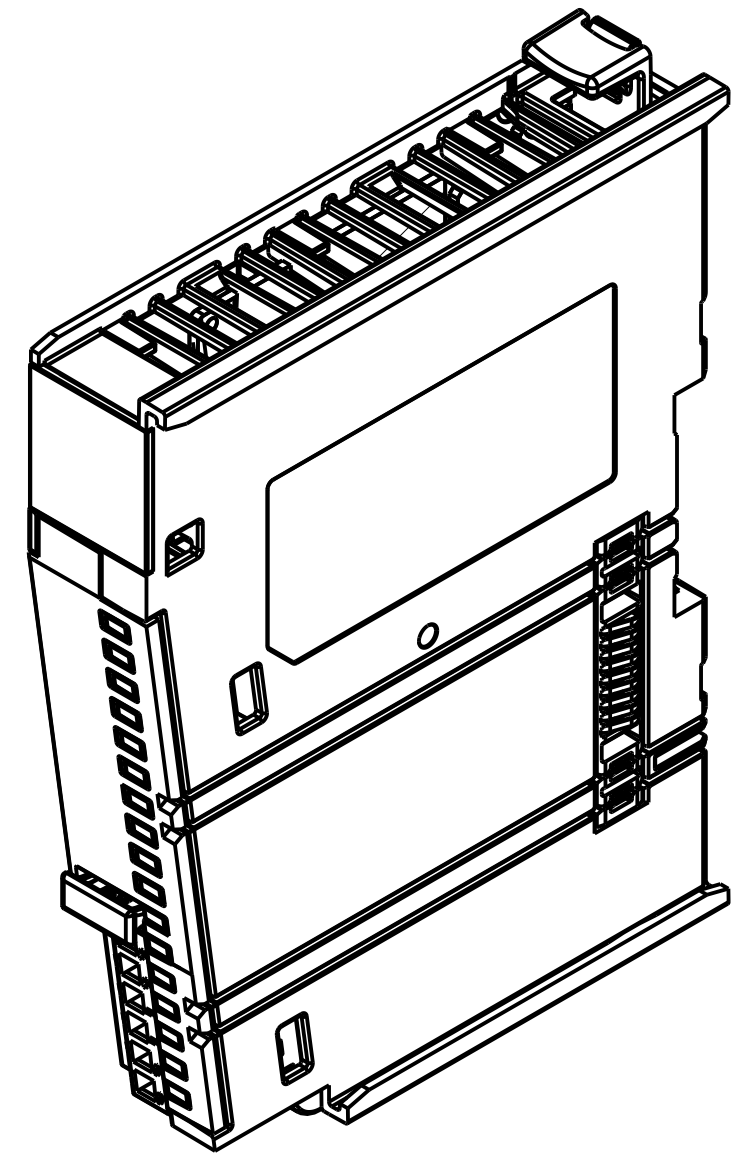


SCALE 2.000



SCALE 2.000



| | | | |
|--|-------------------|--|------------|
| Rockwell Automation 5069, FPD MODULE, ENVELOPE DRAWING | | <small>CONFIDENTIAL AND PROPRIETARY INFORMATION. THIS DOCUMENT CONTAINS CONFIDENTIAL AND PROPRIETARY INFORMATION OF ROCKWELL AUTOMATION, INC. AND MAY NOT BE USED, COPIED OR DISCLOSED TO OTHERS, EXCEPT WITH THE AUTHORIZED WRITTEN PERMISSION OF ROCKWELL AUTOMATION, INC.</small> | |
| | | Sheet 1 Of 1 | Ver 00 |
| Drawn by: SREDDY2 | Date: SEP-09-2014 | Size D | 1001307881 |