

# GuardLink Enabled Tap

Catalog Numbers 440S-SF5D, 440S-SF8D, 440S-MF5D, 440S-MF8D

**IMPORTANT** Electronic equipment. Handle with care, do not drop.

Figure 1 - Dimensions [mm (in.)]

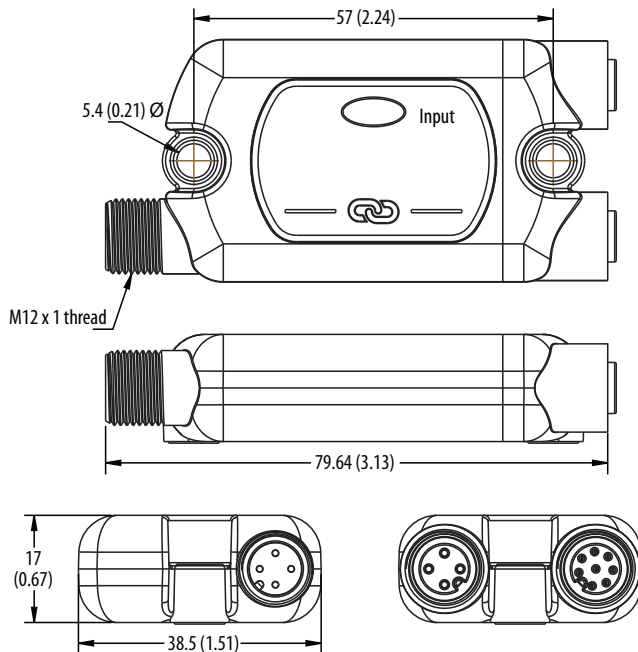
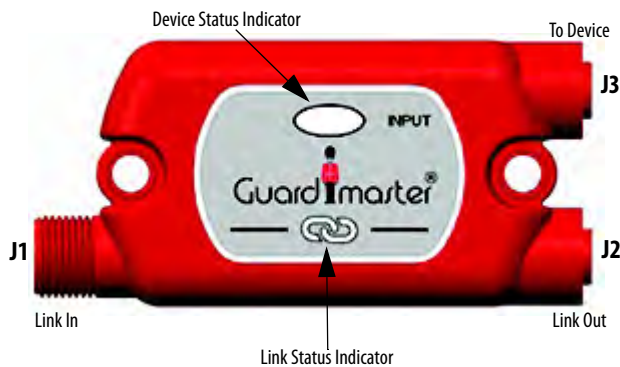


Figure 2 - Status Indicators



## Mounting Information

Do not over torque the mounting hardware. Recommended fastener size -M5.

## Mounting Hardware Torque Specification

2.20 N•m (19.95 in•lb)

## Connector Torque Specification

Finger tighten the cordset connections and then tighten an additional 1/4 to 1/2 turn using pliers.

## Connection

Table 1 - J1 — 4-pin Micro M12 Male (Link In)



Pin No.	Wire Color	Function	Pinouts
1	Brown	24V DC	
2	White	GuardLink Safety	
3	Blue	GND	
4	Black	GuardLink CLU	

Table 2 - J2 — 4-pin Micro M12 Female (Link Out)



Pin No.	Wire Color	Function	Pinouts
1	Brown	24V DC	
2	White	GuardLink Safety	
3	Blue	GND	
4	Black	GuardLink CLU	

## Device Connection

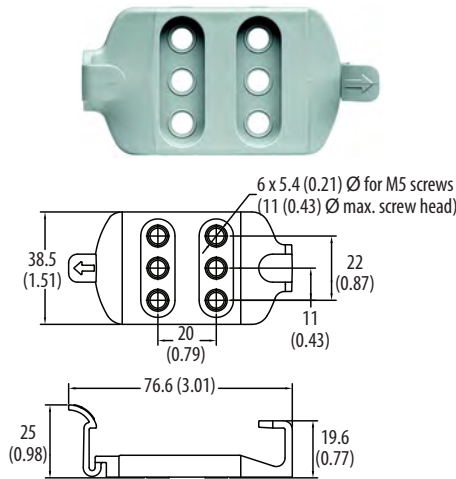
**Table 3 - J3 — 5-pin Micro M12 Female**



Pin No.	Wire Color	Catalog Number		Pinout
		440S-MF5D EMSS	440S-SF5D OSSD	
1	Brown	Safety Contact A	24V DC	
2	White		Safety OSSD Channel A Input	
3	Blue	GND	GND	
4	Black	Safety Contact B	Safety OSSD Channel B Input	
5	Gray		—	

## Optional Mounting Bracket

**Figure 4 - 440S-GLTAPBRK1 Dimensions [mm (in.)]**



## Waste Electrical and Electronic Equipment (WEEE)



At the end of life, this equipment should be collected separately from any unsorted municipal waste.

Rockwell Automation maintains current product environmental information on its website at <http://www.rockwellautomation.com/rockwellautomation/about-us/sustainability-ethics/product-environmental-compliance.page>.

Allen-Bradley, GuardLink, Guardmaster, Rockwell Automation, and Rockwell Software are trademarks of Rockwell Automation, Inc. Trademarks not belonging to Rockwell Automation are property of their respective companies.

Rockwell Otomasyon Ticaret A.Ş., Kar Plaza İş Merkezi E Blok Kat:6 34752 İçerenköy, İstanbul, Tel: +90 (216) 5698400  
[www.rockwellautomation.com](http://www.rockwellautomation.com)

## Power, Control and Information Solutions Headquarters

Americas: Rockwell Automation, 1201 South Second Street, Milwaukee, WI 53204-2496 USA, Tel: (1) 414.382.2000, Fax: (1) 414.382.4444  
 Europe/Middle East/Africa: Rockwell Automation NV, Pegasus Park, De Kleetlaan 12a, 1831 Diegem, Belgium, Tel: (32) 2 663 0600, Fax: (32) 2 663 0640  
 Asia Pacific: Rockwell Automation, Level 14, Core F, Cyberport 3, 100 Cyberport Road, Hong Kong, Tel: (852) 2887 4788, Fax: (852) 2508 1846  
 Publication 440S-IN007C-EN-P - February 2019

Supersedes 440S-IN007B-EN-P - December 2017

**IMPORTANT** Only Power to Release guard lock devices are supported on GuardLink Enabled Taps.

**Table 5 - J3 — 8-pin Micro M12 Female**



Pin No.	Wire Color <sup>(1)</sup>	Catalog Number		Pinout
		440S-MF8D EMSS	440S-SF8D OSSD	
1	White	—	Auxiliary Input	
2	Brown	Lock/Unlock	24V DC	
3	Green	—	Lock/Unlock	
4	Yellow	Safety Contact B	Safety OSSD Channel B+ (24V DC)	
5	Gray	Safety Contact A	Safety OSSD Channel A Input	
6	Pink	Safety Contact B	Safety OSSD Channel B Input	
7	Blue	GND	GND	
8	Red	Safety Contact A	Safety OSSD Channel A+ (24V DC)	

<sup>(1)</sup> Wire colors apply to the Type "B" cordset.

## Additional Resources

These documents contain additional information concerning related products from Rockwell Automation.

Resource	Description
Guardmaster GuardLink Safety System User Manual, publication <a href="#">440R-UM015</a>	Provides guidelines for installing a Guardmaster GuardLink Safety System.
Industrial Automation Wiring and Grounding Guidelines, publication <a href="#">1770-4.1</a>	Provides general guidelines for installing a Rockwell Automation industrial system.
Product Certifications website, <a href="http://www.rockwellautomation.com/global/certification/overview.page">http://www.rockwellautomation.com/global/certification/overview.page</a>	Provides declarations of conformity, certificates, and other certification details.

You can view or download publications at <http://www.rockwellautomation.com/global/literature-library/overview.page>. To order paper copies of technical documentation, contact your local Allen-Bradley distributor or Rockwell Automation sales representative.