

Protective Overlay

Catalog Numbers 2711P-RGT4S, 2711P-RGT6S, 2711P-RGT7SP, 2711P-RGB7P, 2711P-RGT7W, 2711P-RGT9SP, 2711P-RGT10SP, 2711P-RGB10P, 2711P-RGT12SP, 2711P-RGT15SP, 2711P-RGB15P, 2711P-RGT19P

Topic	Page
About This Publication	1
Summary of Changes	2
Precautions	2
About the Protective Overlay	2
Install the Overlay	3
Clean the Overlay	3
Remove the Overlay	4
Additional Resources	4

About This Publication

This publication provides instructions for how to install, clean, and remove protective overlays for these terminals:

- PanelView™ Plus 7 Performance terminals
- PanelView Plus 7 Standard terminals
- PanelView 5510 terminals
- PanelView 5500 terminals

Summary of Changes

This publication contains new and updated information as indicated in the following table.

Topic	Page
Added catalog number 2711P-RGT7W for new PanelView 5510 terminal protective overlays.	1
Added PanelView 5510 terminal to the terminals listed in About This Publication.	1
Added PanelView 5510 terminals user manual to the Additional Resources table.	4

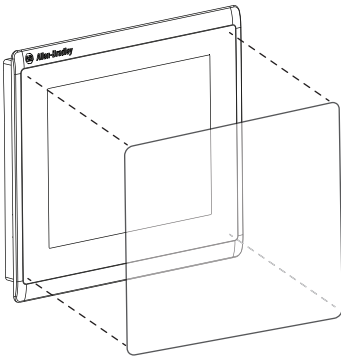
Precautions

Follow these precautions when installing the protective overlay:

- Make sure your hands are clean and dry.
- Handle the overlay by its edges. If there are fingerprints, dust, or dirt on the overlay, clean the overlay before proceeding. See [Clean the Overlay on page 3](#).
- Do not touch the adhesive ring.

About the Protective Overlay

The overlay helps protect your PanelView terminal touch screen and keys from scratches, dust, fingerprints, and external damage from chemicals or abrasive materials.



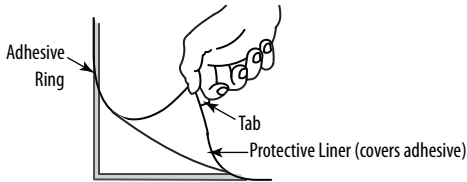
The protective overlay covers the entire surface of the terminal bezel inside the plastic or aluminum perimeter. The overlay has a protective liner that you remove by pulling back on the tab. Do not remove the liner until you are ready to install the overlay.

Before you install the overlay, clean the touch screen and key surface with a lint-free cloth and a mild glass cleaner. Remove all fingerprints, grease, and dust. Marks not removed are trapped underneath the overlay. Grease also affects the adhesion of the overlay.

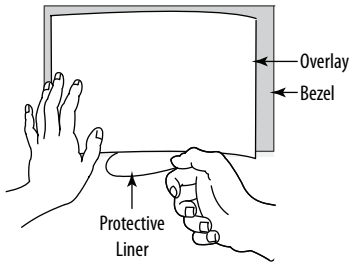
Install the Overlay

Follow these steps to install the protective overlay.

1. Disconnect power from the terminal.
2. Pull the tab from one of the short sides of the overlay and partially peel the liner away from the adhesive layer.



Hold the peeled back portion of the protective liner out of the way as you perform the next step.



3. Center the overlay over the bezel and carefully position the adhesive surface on the terminal.

While the protective liner is still covering the rest of the overlay, verify that it is properly centered.

4. Slowly peel off the rest of the liner while you use a soft cloth to press the overlay on the screen.

Make sure the overlay lies flat with no bubbles or warps.

5. With a soft cloth or finger, press around the edges of the overlay to seal it, and remove any air bubbles trapped in the adhesive.

Clean the Overlay

Clean the overlay with a clean, lint-free cloth and a mild glass cleaner that leaves no streaks. Windex® or an eyeglass cleaner is recommended. Do not use cleaners that contain abrasives.

Remove the Overlay

Remove the overlay if it is damaged or needs replacement. Lift a corner and slowly pull the overlay off. Use isopropyl alcohol to remove any adhesive on the terminal bezel. Do not reuse the overlay.

Additional Resources

These documents contain more information about related products from Rockwell Automation.

Resource	Description
PanelView Plus 7 Performance Terminal User Manual, publication 2711P-UM008	Provides information to install, configure, and operate the PanelView Plus 7 Performance terminal.
PanelView Plus 7 Standard Terminal User Manual, publication 2711P-UM007	Provides information to install, configure, and operate the PanelView Plus 7 Standard terminal.
PanelView 5500 Terminal User Manual, publication 2715-UM001	Provides information to install, configure, and operate the PanelView 5500 terminal.
PanelView 5510 Terminal User Manual, publication 2715P-UM001	Provides information to install, configure, and operate the PanelView 5510 terminal.

You can view or download publications at <http://www.rockwellautomation.com/global/literature-library/overview.page>. To order paper copies of technical documentation, contact your local Allen-Bradley distributor or Rockwell Automation sales representative.

Rockwell Automation Support

For technical support, visit <http://www.rockwellautomation.com/support/overview.page>.

Rockwell Automation maintains current product environmental information on its website at <http://www.rockwellautomation.com/rockwellautomation/about-us/sustainability-ethics/product-environmental-compliance.page>.

Allen-Bradley, PanelView, Rockwell Automation, and Rockwell Software are trademarks of Rockwell Automation, Inc. Trademarks not belonging to Rockwell Automation are property of their respective companies.

Rockwell Otomasyon Ticaret A.Ş., Kar Plaza İş Merkezi E Blok Kat:6 34752 Çerçenköy, İstanbul, Tel: +90 (216) 5698400
www.rockwellautomation.com

Power, Control and Information Solutions Headquarters

Americas: Rockwell Automation, 1201 South Second Street, Milwaukee, WI 53204-2496 USA, Tel: (1) 414.382.2000, Fax: (1) 414.382.4444
Europe/Middle East/Africa: Rockwell Automation NV, Pegasus Park, De Kleetlaan 12a, 1831 Diegem, Belgium, Tel: (32) 2 663 0600, Fax: (32) 2 663 0640
Asia Pacific: Rockwell Automation, Level 14, Core F, Cyberport 3, 100 Cyberport Road, Hong Kong, Tel: (852) 2887 4788, Fax: (852) 2508 1846



PN-498461

Publication 2711P-IN031C-EN-P - May 2018

Supersedes Publication 2711P-IN031B-EN-P - April 2015

Copyright © 2018 Rockwell Automation, Inc. All rights reserved. Printed in the U.S.A.