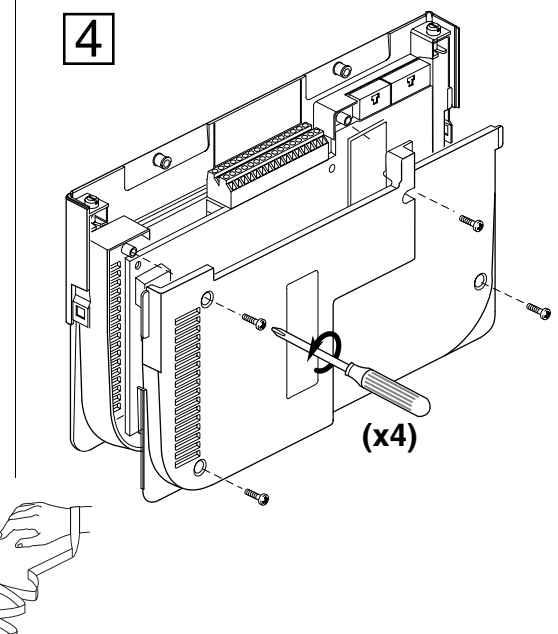
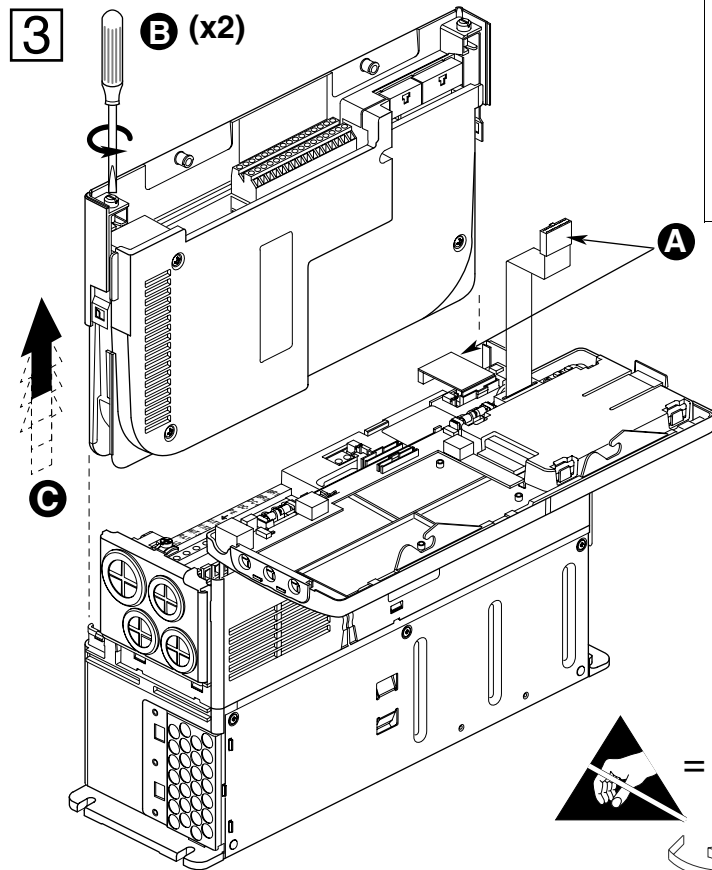
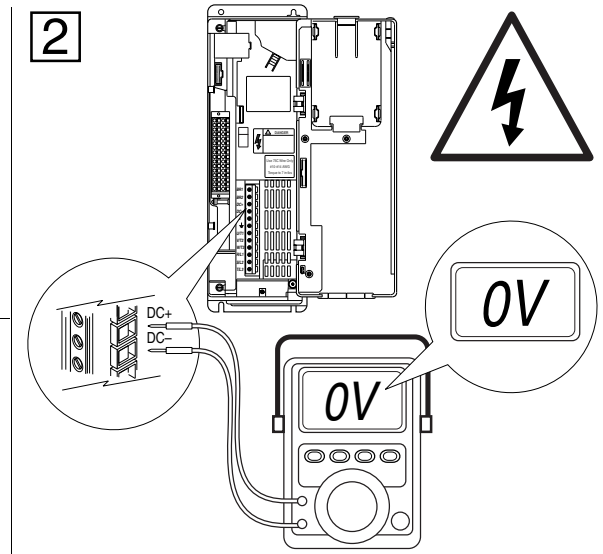
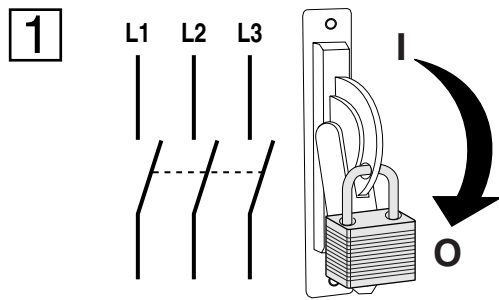
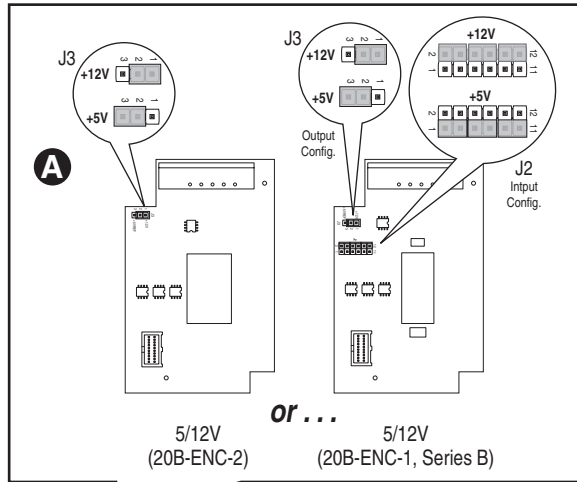
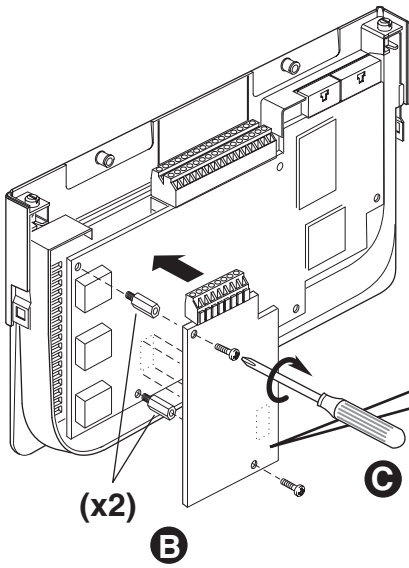




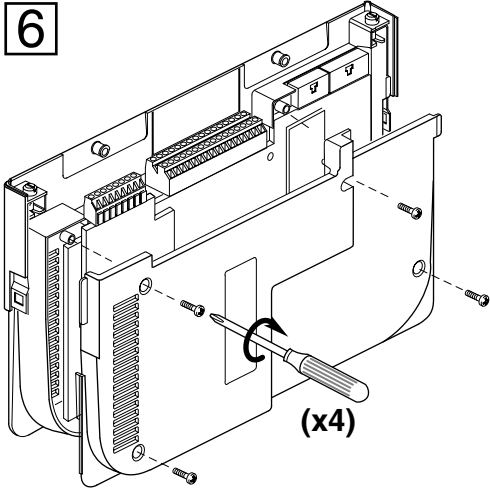
PowerFlex 700 Vector Control Option Encoder Board
Vektorsteueroptionen-Pulsgeberplatine des PowerFlex 700
Option carte codeur du PowerFlex 700 Contrôle Vectoriel
PowerFlex 700 - Scheda encoder con opzione di controllo vettoriale
Tarjeta de Encoder de Opción de Control Vectorial del PowerFlex 700
Encoderbord vectorbesturingsoptie PowerFlex 700
Placa de enconder da opção com controle vetorial do PowerFlex 700



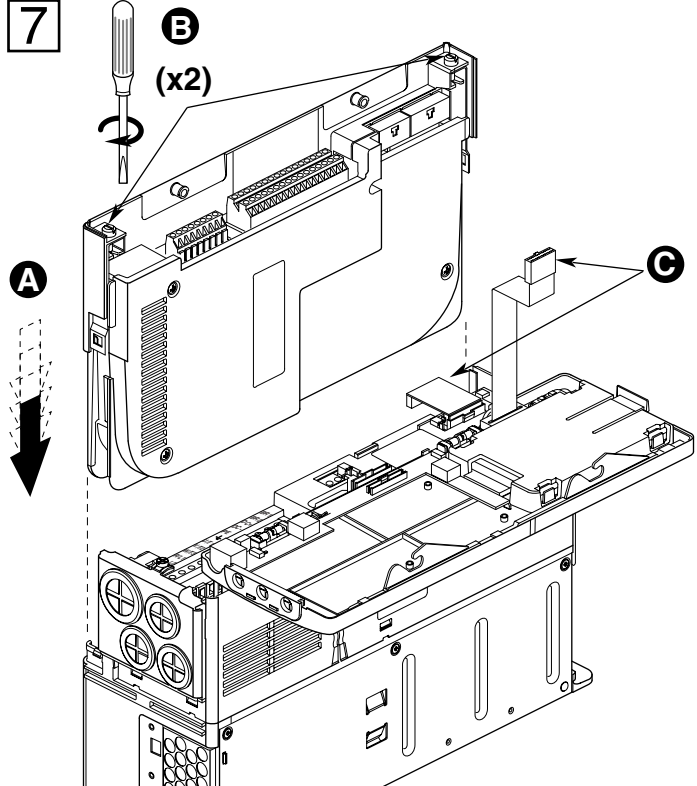
5



6



7



www.rockwellautomation.com

Power, Control and Information Solutions Headquarters

Americas: Rockwell Automation, 1201 South Second Street, Milwaukee, WI 53204-2496 USA, Tel: (1) 414.382.2000, Fax: (1) 414.382.4444

Europe/Middle East/Africa: Rockwell Automation, Vorstlaan/Boulevard du Souverain 36, 1170 Brussels, Belgium, Tel: (32) 2 663 0600, Fax: (32) 2 663 0640

Asia Pacific: Rockwell Automation, Level 14, Core F, Cyberport 3, 100 Cyberport Road, Hong Kong, Tel: (852) 2887 4788, Fax: (852) 2508 1846