

## Kinetix 300 EtherNet/IP Indexing Servo Drives

Catalog Numbers 2097-V31PR0, 2097-V31PR2, 2097-V32PR0, 2097-V32PR2, 2097-V32PR4, 2097-V33PR1, 2097-V33PR3, 2097-V33PR5, 2097-V33PR6, 2097-V34PR3, 2097-V34PR5, 2097-V34PR6



## Important User Information

Solid-state equipment has operational characteristics differing from those of electromechanical equipment. Safety Guidelines for the Application, Installation and Maintenance of Solid State Controls (publication [SGI-1.1](#) available from your local Rockwell Automation sales office or online at <http://www.rockwellautomation.com/literature/>) describes some important differences between solid-state equipment and hard-wired electromechanical devices. Because of this difference, and also because of the wide variety of uses for solid-state equipment, all persons responsible for applying this equipment must satisfy themselves that each intended application of this equipment is acceptable.

In no event will Rockwell Automation, Inc. be responsible or liable for indirect or consequential damages resulting from the use or application of this equipment.

The examples and diagrams in this manual are included solely for illustrative purposes. Because of the many variables and requirements associated with any particular installation, Rockwell Automation, Inc. cannot assume responsibility or liability for actual use based on the examples and diagrams.

No patent liability is assumed by Rockwell Automation, Inc. with respect to use of information, circuits, equipment, or software described in this manual.

Reproduction of the contents of this manual, in whole or in part, without written permission of Rockwell Automation, Inc., is prohibited.

Throughout this manual, when necessary, we use notes to make you aware of safety considerations.



**WARNING:** Identifies information about practices or circumstances that can cause an explosion in a hazardous environment, which may lead to personal injury or death, property damage, or economic loss.



**ATTENTION:** Identifies information about practices or circumstances that can lead to personal injury or death, property damage, or economic loss. Attentions help you identify a hazard, avoid a hazard, and recognize the consequence.



**SHOCK HAZARD:** Labels may be on or inside the equipment, for example, a drive or motor, to alert people that dangerous voltage may be present.



**BURN HAZARD:** Labels may be on or inside the equipment, for example, a drive or motor, to alert people that surfaces may reach dangerous temperatures.

---

### IMPORTANT

Identifies information that is critical for successful application and understanding of the product.

---

Allen-Bradley, CompactLogix, ControlFLASH, ControlLogix, Kinetix, MP-Series, TL-Series, RSLogix, SoftLogix, Rockwell Automation, Rockwell Software, Stratix 6000, MicroLogix, and TechConnect are trademarks of Rockwell Automation, Inc.

Trademarks not belonging to Rockwell Automation are property of their respective companies.

This manual contains new and updated information. Changes throughout this revision are marked by change bars, as shown to the right of this paragraph.

### New and Updated Information

This was a minor revision that includes the addition of linear actuators configuration and updated information encoder capabilities.

Section	Topic	Page
<a href="#">Chapter 3</a>	Updated the Buffered Encoder Outputs text and the important block.	49
<a href="#">Chapter 5</a>	Updated Analog Input (current scale) range.	94
<a href="#">Chapter 6</a>	Updated the important block.	144
	Updated Analog Input (current scale) range.	149
	Added Low Pass Filter tip.	140
	Added expected results table to step 13.	152
<a href="#">Chapter 7</a>	Added error code E95.	156
<a href="#">Appendix A</a>	Updated shunt signal names in power wiring examples.	173
	Updated interconnect diagram for LDAT-Series linear thrusters.	180
<a href="#">Appendix C</a>	Updated Analog Input (current scale) range.	199

**Notes:**

	<b>Preface</b>	
	About This Publication.....	11
	Who Should Use This Manual.....	11
	Additional Resources.....	12
	<b>Chapter 1</b>	
<b>Start</b>	About the Kinetix 300 Drive System.....	14
	Catalog Number Explanation.....	16
	Agency Compliance.....	17
	CE Requirements.....	17
	<b>Chapter 2</b>	
<b>Installing the Kinetix 300 Drive System</b>	System Design Guidelines.....	20
	System Mounting Requirements.....	20
	Transformer Selection.....	21
	Circuit Breaker/Fuse Selection.....	21
	Circuit Breaker/Fuse Specifications.....	22
	Enclosure Selection.....	23
	Power Dissipation Specifications.....	24
	Minimum Clearance Requirements.....	25
	Electrical Noise Reduction.....	26
	Bonding Drives.....	26
	Bonding Multiple Subpanels.....	28
	Establishing Noise Zones.....	29
	Cable Categories for Kinetix 300 Drive Components.....	31
	Noise Reduction Guidelines for Drive Accessories.....	31
	Mount Your Kinetix 300 Drive.....	34
	<b>Chapter 3</b>	
<b>Kinetix 300 Drive Connector Data and Feature Descriptions</b>	Kinetix 300 Drive Connectors and Indicators.....	36
	Safe Torque-off Connector Pinout.....	37
	I/O Connector Pinout.....	38
	Motor Feedback (MF) Connector Pinout.....	39
	Ethernet Communication Connector Pinout.....	39
	AC Input Power Connector Pinout.....	40
	Back-up Power Connector Pinout.....	40
	Shunt Resistor and DC Bus Connector Pinout.....	40
	Motor Power Connector Pinout.....	40
	Control Signal Specifications.....	41
	Digital Inputs.....	41
	Digital Outputs.....	45
	Analog Reference Input.....	46
	Analog Output.....	47
	Master Gearing/Step and Direction Inputs.....	48

Buffered Encoder Outputs .....	49
Ethernet Connections .....	50
24V DC Back-up Power.....	50
Motor Feedback Specifications .....	51
Motor Feedback Specifications .....	52
Feedback Power Supply .....	56

## Chapter 4

### Connecting the Kinetix 300 Drive System

Basic Wiring Requirements .....	57
Build Your Own Cables.....	58
Route Power and Signal Wiring.....	58
Determine the Input Power Configuration .....	58
Three-phase Power Wired to Three-phase Drives .....	59
Single-phase Power Wired to Single-phase Drives .....	60
Voltage Doubler Operation.....	60
Isolation Transformer in Grounded Power Configurations.....	61
Three-phase Power Wired to Single-phase Drives .....	61
Voiding of CE Compliance.....	63
Grounding Your Kinetix 300 Drive System.....	64
Ground Your Drive to the System Subpanel .....	64
Ground Multiple Subpanels .....	65
Power Wiring Requirements .....	65
Wiring Guidelines.....	68
Wiring the Kinetix 300 Drive Connectors.....	69
Wire the Safe Torque-off (STO) Connector.....	69
Wire the Back-up Power (BP) Connector.....	69
Wire the Input Power (IPD) Connector.....	70
Wire the Motor Power (MP) Connector .....	71
Apply the Motor Cable Shield Clamp.....	76
Feedback and I/O Cable Connections .....	77
Flying-lead Feedback Cable Pin-outs .....	78
Wiring the Feedback and I/O Connectors.....	79
Wire the I/O Connector .....	79
Wire the Low-profile Connector Kit .....	80
Shunt Resistor Connections.....	81
Ethernet Cable Connections .....	82

## Chapter 5

### MotionView Software Configuration

Drive Organizer and Identification .....	84
Motor Category.....	84
Synchronous Motor Database .....	85
Linear Motor Database.....	86
General Category.....	87
Communication Categories .....	91
Ethernet Communication.....	91
Ethernet (CIP) Communication.....	92

Input/Output Categories.....	93
Digital I/O .....	93
Analog I/O .....	94
Limits Categories .....	95
Velocity Limits.....	95
Position Limits.....	96
Dynamics Category .....	97
Tools Category .....	98
Monitor Category.....	99
Faults Category .....	100
Indexing Category .....	101
Index Type Parameter .....	103
Action Parameter.....	108
Start Index.....	109
Abort Indexing.....	109
Reset Index .....	109
Explicit Messages for Indexing.....	110
Homing Category.....	113
Homing Methods .....	113
Immediate Homing .....	115
Absolute Homing .....	115
Home to Marker .....	116
Home Offset.....	116
Homing Switch .....	116
Homing Firmware Algorithm .....	117
Homing Methods Timing Diagrams.....	118
Homing Methods 7...14 .....	118
Homing Method 23 .....	119
Homing Method 25 .....	120
Homing Method 27 .....	120
Homing Method 33 .....	122
Homing Method 34 .....	123
Homing Method 35 .....	123
Upgrade Firmware .....	124

## Chapter 6

### Configure and Start Up the Kinetix 300 Drive

Keypad Input.....	126
Status Indicators .....	127
Configure the Kinetix 300 Drive Ethernet IP Address.....	128
Ethernet Connection .....	128
Kinetix 300 Drive Ethernet Port Configuration.....	128
Current IP Address Ethernet Setting.....	129
Configure the IP Address Manually (static address) .....	129
Configure the IP Address Automatically (dynamic address) .....	131
Add-on Profiles .....	132
Configuring the Logix EtherNet/IP Module .....	132
Configure the Logix Controller.....	132

Configure the Ethernet Port.....	134
Configure the Ethernet Module.....	135
Configure the Kinetix 300 Drive.....	136
Download the Program .....	137
Apply Power to the Kinetix 300 Drive .....	138
Test and Tune the Axis .....	139
Test the Axis .....	139
Tune the Axis .....	140
Select Drive Operating Mode.....	142
Master Gearing Mode Examples.....	143
Master Gearing Example 1.....	143
Master Gearing Example 2.....	143
Master Gearing Example 3.....	143
Configure Master Gearing Mode.....	143
Configure the Drive Parameters and System Variables.....	145
Tools for Viewing Parameters.....	145
Tools for Changing Parameters .....	147
Configure Drive Mode with Explicit Messaging.....	148
Configure Drive for Linear Motors and Direct Drive Stages.....	150
Motor Temperature Sensor.....	150
Understanding Encoder Resolution Setting.....	150
Change the Encoder Resolution for an Incremental Encoder ....	151

**Chapter 7**

**Troubleshooting the Kinetix 300 Drive System**

Safety Precautions .....	153
General Troubleshooting .....	154
Display Behavior .....	154
Error Codes.....	154
Clearing Faults.....	157
Use Digital Inputs to Clear Faults.....	157
Use Drive Parameters to Clear Faults.....	157

**Chapter 8**

**Kinetix 300 Drive Safe Torque-off Feature**

Certification .....	159
Important Safety Considerations.....	160
Safety Category 3 Requirements .....	160
Stop Category Definition .....	160
Performance Level and Safety Integrity Level (SIL) CL3 .....	160
Description of Operation .....	161
Functional Proof Tests.....	161
Troubleshooting the Safe Torque-off Function.....	162
PFD and PFH Definitions .....	162
PFD and PFH Data .....	162
Safe Torque-off Connector Data .....	163
STO Connector Pinouts .....	163
Wiring Your Safe Torque-off Circuit .....	164



	European Union Directives .....	164
	Safe Torque-off Wiring Requirements .....	165
	Kinetix 300 Drive Safe Torque-off Feature .....	166
	Safe Torque-off Feature Bypass .....	166
	Kinetix 300 Drive Safe Torque-off Wiring Diagrams.....	167
	Safe Torque-off Signal Specifications .....	168
	Safety Input and Output Schematics.....	169
	<b>Appendix A</b>	
<b>Interconnect Diagrams</b>	Interconnect Diagram Notes .....	172
	Power Wiring Examples .....	173
	Shunt Resistor Wiring Example .....	175
	Kinetix 300 Drive/Rotary Motor Wiring Examples .....	176
	Kinetix 300 Drive/Linear Motor Wiring Examples .....	179
	Kinetix 300 Drive/Actuator Wiring Examples.....	180
	Kinetix 300 Drive to MicroLogix Controller Wiring Examples .....	183
	Kinetix 300 Drive Master Gearing Wiring Example .....	184
	Motor Brake Currents.....	185
	System Block Diagrams.....	186
	<b>Appendix B</b>	
<b>Input and Output Assembly</b>	Input and Output Assembly .....	189
	Output Assembly Examples.....	195
	Incremental Position Point-to-Point Profile .....	196
	Velocity Motion Profile.....	196
	<b>Appendix C</b>	
<b>Kinetix 300 Drive ID Tag Numbers</b>	Tag Number Descriptions .....	197
	Index Base Addressing.....	210
	<b>Appendix D</b>	
<b>MicroLogix Explicit Messaging</b>	Explicit Messaging Data Types .....	211
	Explicit Messaging Data Type Examples.....	212
	DINT Data Type Examples .....	212
	REAL Data Type Examples .....	213
	String Data Type Examples.....	214

<b>Overtravel Inputs</b>	<b>Appendix E</b>	
	Modes of Operation .....	217
	Overtravel Hardware Inputs.....	218
	Operation .....	219
	Overtravel Fault Recovery.....	220
	<b>Appendix F</b>	
	History of Changes.....	221
	<b>Index</b> .....	223

**About This Publication**

This manual provides detailed installation instructions for mounting, wiring, and troubleshooting your Kinetix® 300 drive; and system integration for your drive/motor combination with a Logix controller.

**Who Should Use This Manual**

This manual is intended for engineers and technicians directly involved in the installation and wiring of the Kinetix 300 drive and programmers directly involved in operation, field maintenance, and integration of the Kinetix 300 drive.

If you do not have a basic understanding of the Kinetix 300 drive, contact your local Rockwell Automation sales representative for information on available training courses.

## Additional Resources

These documents contain additional information concerning related products from Rockwell Automation.

Resource	Description
Kinetix 300 Shunt Resistor Installation Instructions, publication <a href="#">2097-IN002</a>	Information on installing and wiring the Kinetix 300 shunt resistors.
Kinetix 300 AC Line Filter Installation Instructions, publication <a href="#">2097-IN003</a>	Information on installing and wiring the Kinetix 300 AC line filter.
Kinetix 300 I/O Terminal Expansion Block Installation Instructions, publication <a href="#">2097-IN005</a>	Information on installing and wiring the Kinetix 300 I/O terminal expansion block.
Kinetix 300 Memory Module Installation Instructions, publication <a href="#">2097-IN007</a>	Information on installing the Kinetix 300 memory module.
Kinetix 300 Memory Module Programmer Quick Start, publication <a href="#">2097-OS001</a>	Information on using the memory module programmer to duplicate the memory module.
CompactLogix™ System User Manual User Manual, publication <a href="#">1769-UM011</a>	Provides information about planning, mounting, wiring, and troubleshooting your CompactLogix system.
ControlLogix® Controllers User Manual, publication <a href="#">1756-UM001</a>	Information on installing, configuring, programming, and operating a ControlLogix system.
ControlFLASH™ Firmware Upgrade Kit User Manual, publication <a href="#">1756-OS105</a>	For ControlFLASH information not specific to any drive family.
Kinetix Rotary Motion Specifications Technical Data, publication <a href="#">GMC-TD001</a>	Specifications for Kinetix rotary motion products.
Kinetix Linear Motion Specifications Technical Data, publication <a href="#">GMC-TD002</a>	Specifications for Kinetix linear motion products.
Kinetix Servo Drives Specifications Technical Data, publication <a href="#">GMC-TD003</a>	Specifications for Kinetix servo drive motion control products.
Industrial Automation Wiring and Grounding Guidelines, publication <a href="#">1770-4.1</a>	Provides general guidelines for installing a Rockwell Automation industrial system.
System Design for Control of Electrical Noise Reference Manual, publication <a href="#">GMC-RM001</a>	Information, examples, and techniques designed to minimize system failures caused by electrical noise.
EMC Noise Management DVD, publication GMC-SP004	
Rockwell Automation Product Certification, website <a href="http://www.rockwellautomation.com/products/certification">www.rockwellautomation.com/products/certification</a>	For declarations of conformity (DoC) currently available from Rockwell Automation.
Rockwell Automation Industrial Automation Glossary, publication <a href="#">AG-7.1</a>	A glossary of industrial automation terms and abbreviations.

You can view or download publications at <http://www.rockwellautomation.com/literature>. To order paper copies of technical documentation, contact your local Allen-Bradley distributor or Rockwell Automation sales representative.

## **Start**

<b>Topic</b>	<b>Page</b>
About the Kinetix 300 Drive System	14
Catalog Number Explanation	16
Agency Compliance	17

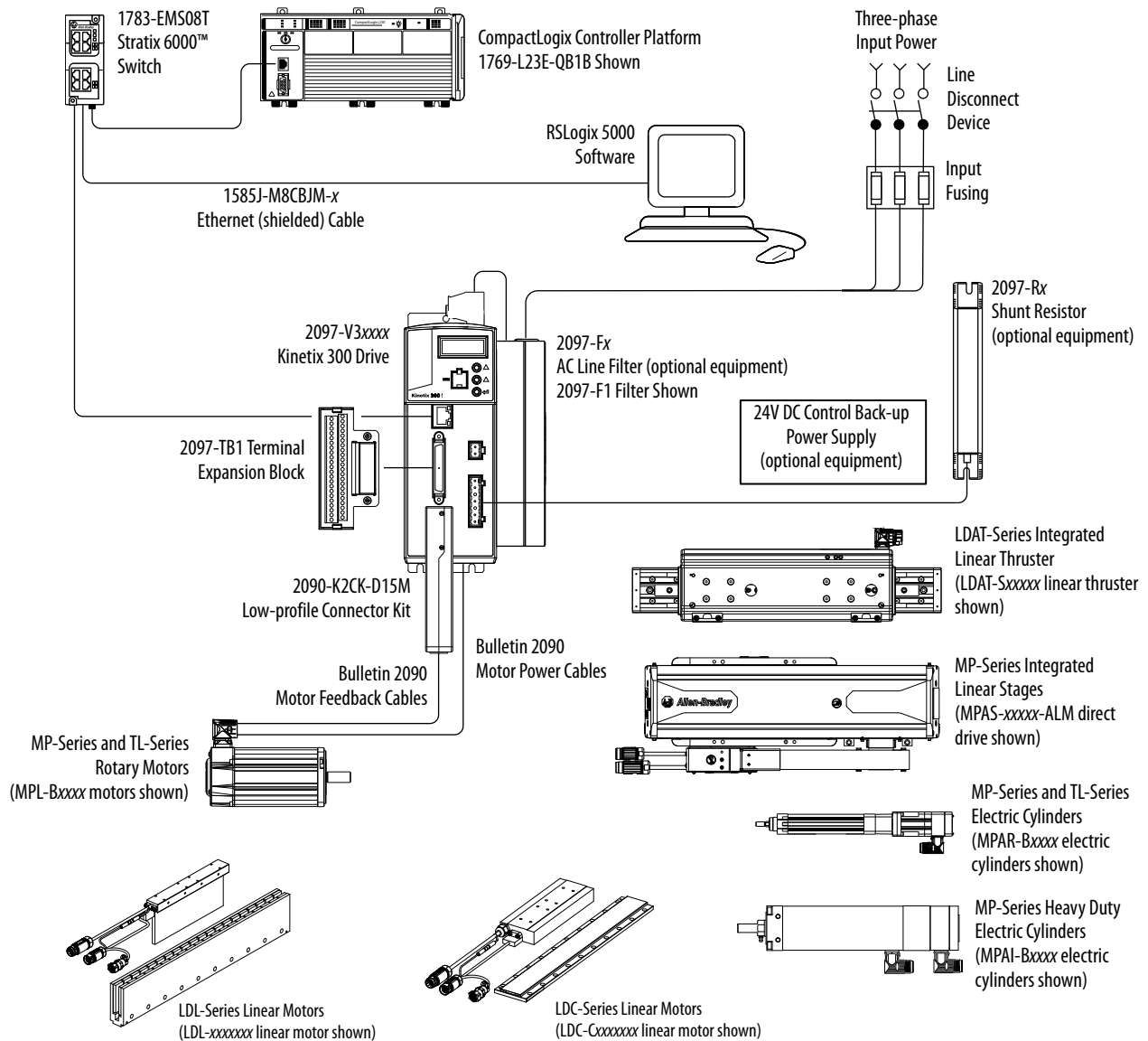
## About the Kinetix 300 Drive System

The Kinetix 300 EtherNet/IP indexing servo drive is designed to provide a solution for applications with output power requirements between 0.4...3.0 kW (2...12 A rms).

**Table 1 - Kinetix 300 Drive System Overview**

Kinetix 300 System Component	Cat. No.	Description
Kinetix 300 EtherNet/IP Indexing Servo Drive	2097-V3xPRx	Kinetix 300 EtherNet/IP indexing drives with safe torque-off feature are available with 120/240V or 480V AC input power.
AC Line Filters	2090 2097-Fx	Bulletin 2090 and Bulletin 2097-Fx AC line filters are required to meet CE with Kinetix 300 drives without an integrated line filter. Bulletin 2097 filters are available in foot mount and side mount.
Shunt Module	2097-Rx	Bulletin 2097 shunt resistors connect to the drive and provide shunting capability in regenerative applications.
Terminal block for I/O connector	2097-TB1	50-pin terminal block. Use with IOD connector for control interface connections.
Memory Module Programmer	2097-PGMR	The EPM programmer is used to duplicate the memory and configuration of the Kinetix 300 drives.
Memory Modules 12 Pack	2097-MEM	These removable memory modules are used by the drive to store parameters.
Logix Controller Platform	1769-L23E-xxx 1769-L3xE-xxxx 1768-L4x 1756-L6x 1766-L32xxx 1763-L16xxx	EtherNet/IP interface modules serve as a link between the ControlLogix/CompactLogix/MicroLogix™ platform and the Kinetix 300 drive system. The communication link uses EtherNet/IP protocol over a copper cable.
RSLogix™ 5000 Software	9324-RLD300ENE	RSLogix 5000 software provides support for programming, commissioning, and maintaining the Logix family of controllers.
Rotary Servo Motors	MP-Series™, TL-Series™	Compatible rotary motors include the MP-Series (Bulletin MPL, MPM, MPF, and MPS) and TL-Series motors.
Linear Stages	MP-Series	Compatible stages include MP-Series (Bulletin MPAS) Integrated Linear Stages.
Linear Actuators	LDAT-Series	Compatible actuators include LDAT-Series (Bulletin LDAT) Integrated Linear Thrusters.
Linear Motors	LDC-Series™, LDL-Series™	Compatible linear motors include LDC-Series and LDL-Series (Bulletin LDC and LDL) Linear Motors.
Electric Cylinders	MP-Series, TL-Series	Compatible electric cylinders include MP-Series and TL-Series (Bulletin MPA, TLAR, and MPAL) Electric Cylinders.
Cables	Motor/brake and feedback cables	Motor power/brake and feedback cables include SpeedTec and threaded DIN connectors at the motor. Power/brake cables have flying leads on the drive end and straight connectors that connect to servo motors. Feedback cables have flying leads that wire to low-profile connector kits on the drive end and straight connectors on the motor end.
	Communication cables	1585J-M8CJBM-x (shielded) Ethernet cable.

Figure 1 - Typical Kinetix 300 Drive Installation



## Catalog Number Explanation

Kinetix 300 drive catalog numbers and descriptions are listed in these tables.

**Table 2 - Kinetix 300 Drives (single-phase)**

Cat. No.	Input Voltage	Continuous Output Current A (0-pk)	Features
2097-V31PR0	120/240V, 1 Ø	2.8	<ul style="list-style-type: none"> <li>120V Doubler mode</li> <li>Safe Torque-off</li> </ul>
2097-V31PR2		5.7	
2097-V32PR0	240V, 1 Ø	2.8	<ul style="list-style-type: none"> <li>Integrated AC line filter</li> <li>Safe Torque-off</li> </ul>
2097-V32PR2		5.7	
2097-V32PR4		11.3	

**Table 3 - Kinetix 300 Drives (single/three-phase)**

Cat. No.	Input Voltage	Continuous Output Current A (0-pk)	Features
2097-V33PR1	120V, 1 Ø 240V, 1 Ø 240V, 3 Ø	2.8	Safe Torque-off
2097-V33PR3		5.7	
2097-V33PR5		11.3	
2097-V33PR6		17.0	

**Table 4 - Kinetix 300 Drives (three-phase)**

Cat. No.	Input Voltage	Continuous Output Current A (0-pk)	Features
2097-V34PR3	480V, 3 Ø	2.8	Safe Torque-off
2097-V34PR5		5.7	
2097-V34PR6		8.5	

**Table 5 - Kinetix 300 Drive Accessories**

Cat. No.	Drive Components
2097-Fx	AC line filters
2097-TB1	Terminal block for I/O connector
2097-Rx	Shunt resistors
2097-PGMR	Memory module programmer
2097-MEM	Memory modules 12 pack



## Agency Compliance

If this product is installed within the European Union and has the CE mark, the following regulations apply.



**ATTENTION:** Meeting CE requires a grounded system, and the method of grounding the AC line filter and drive must match. Failure to do this renders the filter ineffective and may cause damage to the filter.

For grounding examples, see [Grounding Your Kinetix 300 Drive System](#) on [page 64](#).

For more information on electrical noise reduction, see the System Design for Control of Electrical Noise Reference Manual, publication [GMC-RM001](#).

## CE Requirements

To meet CE requirements, these requirements apply:

- Install an AC line filter (Bulletin 2090 or 2097) as close to the drive as possible.
- Use 2090 series motor power cables or use connector kits and terminate the cable shields to the subpanel with clamp provided.
- Use 2090 series motor feedback cables or use connector kits and properly terminate the feedback cable shield. Drive-to-motor power and feedback cables must not exceed 20 m (65.6 ft).
- Install the Kinetix 300 system inside an enclosure. Run input power wiring in conduit (grounded to the enclosure) outside of the enclosure. Separate signal and power cables.
- Segregate input power wiring and motor power cables from control wiring and motor feedback cables. Use shielded cable for power wiring and provide a grounded 360° clamp termination.

See Appendix A on [page 171](#) for interconnect diagrams, including input power wiring and drive/motor interconnect diagrams.

**Notes:**

## Installing the Kinetix 300 Drive System

Topic	Page
System Design Guidelines	20
Electrical Noise Reduction	26
Mount Your Kinetix 300 Drive	34



**ATTENTION:** Plan the installation of your system so that you can perform all cutting, drilling, tapping, and welding with the system removed from the enclosure. Because the system is of the open type construction, be careful to keep any metal debris from falling into it. Metal debris or other foreign matter can become lodged in the circuitry, which can result in damage to components.

---

## System Design Guidelines

Use the information in this section when designing your enclosure and planning to mount your system components on the panel.

For on-line product selection and system configuration tools, including AutoCAD (DXF) drawings of the product, see <http://www.ab.com/e-tools>.

## System Mounting Requirements

- To comply with UL and CE requirements, the Kinetix 300 system must be enclosed in a grounded conductive enclosure offering protection as defined in standard EN 60529 (IEC 529) to IP4X such that they are not accessible to an operator or unskilled person. A NEMA 4X enclosure exceeds these requirements providing protection to IP66.
- The panel you install inside the enclosure for mounting your system components must be on a flat, rigid, vertical surface that won't be subjected to shock, vibration, moisture, oil mist, dust, or corrosive vapors.
- Size the drive enclosure so as not to exceed the maximum ambient temperature rating. Consider heat dissipation specifications for all drive components.
- Segregate input power wiring and motor power cables from control wiring and motor feedback cables. Use shielded cable for power wiring and provide a grounded 360° clamp termination.
- Use high-frequency (HF) bonding techniques to connect the enclosure, machine frame, and motor housing, and to provide a low-impedance return path for high-frequency (HF) energy and reduce electrical noise.
- [Use 2090 series motor feedback cables or use connector kits and properly terminate the feedback cable shield. Drive-to-motor power and feedback cables must not exceed 20 m \(65.6 ft\).](#)

---

**IMPORTANT** System performance was tested at these cable length specifications. These limitations are also a CE requirement.

---

See the System Design for Control of Electrical Noise Reference Manual, publication [GMC-RM001](#), to better understand the concept of electrical noise reduction.

## Transformer Selection

The Kinetix 300 drive does not require an isolation transformer for three-phase input power. However, a transformer may be required to match the voltage requirements of the controller to the available service.

To size a transformer for the main AC power inputs, see [Circuit Breaker/Fuse Specifications](#) on [page 22](#) and Kinetix Servo Drives Specifications Technical Data, publication [GMC-TD003](#).

---

**IMPORTANT** If using an autotransformer, make sure that the phase to neutral/ground voltages do not exceed the input voltage ratings of the drive.

---



---

**IMPORTANT** Use a form factor of 1.5 for single and three-phase power (where form factor is used to compensate for transformer, drive, and motor losses, and to account for utilization in the intermittent operating area of the torque speed curve).  
For example, sizing a transformer to the voltage requirements of catalog number 2097-V34PR6 = 3 kW continuous x 1.5 = 4.5 KVA transformer.

---

## Circuit Breaker/Fuse Selection

The Kinetix 300 drives use internal solid-state motor short-circuit protection and, when protected by suitable branch circuit protection, are rated for use on a circuit capable of delivering up to 100,000 A. Fuses or circuit breakers, with adequate withstand and interrupt ratings, as defined in NEC or applicable local codes, are permitted.

The Bulletin 140M and 140U products are another acceptable means of protection. As with fuses and circuit breakers, you must make sure that the selected components are properly coordinated and meet applicable codes including any requirements for branch circuit protection. When applying the 140M/140U product, evaluation of the short circuit available current is critical and must be kept below the short circuit current rating of the 140M/140U product.

In most cases, class CC, J, L, and R fuses selected to match the drive input current rating will meet the NEC requirements or applicable local codes, and provide the full drive capabilities. Dual element, time delay (slow-acting) fuses should be used to avoid nuisance trips during the inrush current of power initialization.

See Kinetix 300 Drive Power Specifications in Kinetix Servo Drives Specifications Technical Data, publication [GMC-TD003](#) for input current and inrush current specifications for your Kinetix 300 drive.

See [Circuit Breaker/Fuse Specifications](#) on [page 22](#) for recommended circuit breakers and fuses.

## Circuit Breaker/Fuse Specifications

While circuit breakers offer some convenience, there are limitations for their use. Circuit breakers do not handle high current inrush as well as fuses.

Make sure the selected components are properly coordinated and meet acceptable codes including any requirements for branch circuit protection. Evaluation of the short-circuit available current is critical and must be kept below the short-circuit current rating of the circuit breaker.

Use class CC or T fast-acting current-limiting type fuses, 200,000 AIC, preferred. Use Bussmann KTK-R, JJN, JJS or equivalent. Thermal-magnetic type breakers preferred. The following fuse examples and Allen-Bradley® circuit breakers are recommended for use with Kinetix 300 drives.

Cat. No.	Drive Voltage	Main VAC		
		Bussmann Fuse	Allen-Bradley Circuit Breaker <sup>(1)</sup>	
			Disconnect <sup>(2)</sup>	Magnetic Contactor <sup>(3)</sup>
2097-V31PR0	120V	KTK-R-20 (20A)	1492-SP1D200	140M-F8E-C20
	240V	KTK-R-10 (10A)	1492-SP1D100	140M-F8E-C10
2097-V31PR2	120V	KTK-R-30 (30A)	1492-SP1D300	140M-F8E-C32
	240V	KTK-R-20 (20A)	1492-SP1D200	140M-F8E-C20
2097-V32PR0	240V	KTK-R-20 (20A)	1492-SP3D200	140M-F8E-C20
2097-V32PR2				
2097-V32PR4	240V	KTK-R-30 (30A)	1492-SP3D320	140M-F8E-C32
2097-V33PR1	120V	KTK-R-20 (20A)	1492-SP1D200	140M-F8E-C20
	240V	KTK-R-15 (15A)	1492-SP3D150	140M-F8E-C16
2097-V33PR3	120V	KTK-R-20 (20A)	1492-SP1D200	140M-F8E-C20
	240V	KTK-R-15 (15A)	1492-SP3D150	140M-F8E-C16
2097-V33PR5	120V	KTK-R-30 (30A)	1492-SP1D300	140M-F8E-C32
	240V	KTK-R-20 (20A)	1492-SP3D200	140M-F8E-C20
2097-V33PR6	120V	N/A	N/A	N/A
	240V	KTK-R-30 (30A)	1492-SP3D300	140M-F8E-C32
2097-V34PR3	480V	KTK-R-10 (10A)	1492-SP3D100	140M-F8E-C10
2097-V34PR5		KTK-R-10 (10A)	1492-SP3D100	140M-F8E-C10
2097-V34PR6		KTK-R-20 (20A)	1492-SP3D200	140M-F8E-C20

- (1) When using Bulletin 1492 circuit protection devices, the maximum short circuit current available from the source is limited to 5000 A.
- (2) Use fully-rated short-circuit protection circuit breaker for device branch circuit protection only when there is an upstream fully-rated breaker.
- (3) Fully-rated breaker for overload current and short circuit rating.

## Enclosure Selection

This example is provided to assist you in sizing an enclosure for your Bulletin 2097 drive system. You need heat dissipation data from all components planned for your enclosure to calculate the enclosure size. See [Power Dissipation Specifications on page 24](#) for the Kinetix 300 drive power dissipation.

With no active method of heat dissipation (such as fans or air conditioning) either of the following approximate equations can be used.

Metric	Standard English
$A = \frac{0.38Q}{1.8T - 1.1}$	$A = \frac{4.08Q}{T - 1.1}$
Where T is temperature difference between inside air and outside ambient (°C), Q is heat generated in enclosure (Watts), and A is enclosure surface area (m <sup>2</sup> ). The exterior surface of all six sides of an enclosure is calculated as	Where T is temperature difference between inside air and outside ambient (°F), Q is heat generated in enclosure (Watts), and A is enclosure surface area (ft <sup>2</sup> ). The exterior surface of all six sides of an enclosure is calculated as
$A = 2dw + 2dh + 2wh$	$A = (2dw + 2dh + 2wh) / 144$
Where d (depth), w (width), and h (height) are in meters.	Where d (depth), w (width), and h (height) are in inches.

If the maximum ambient rating of the Kinetix 300 drive system is 40 °C (104 °F) and if the maximum environmental temperature is 20 °C (68 °F), then T=20. In this example, the total heat dissipation is 416 W (sum of all components in enclosure). So, in the equation below, T=20 and Q=416.

$$A = \frac{0.38 (416)}{1.8 (20) - 1.1} = 4.53 \text{ m}^2$$

In this example, the enclosure must have an exterior surface of at least 4.53 m<sup>2</sup>. If any portion of the enclosure is not able to transfer heat, it should not be included in the calculation.

Because the minimum cabinet depth to house the Kinetix 300 system (selected for this example) is 332 mm (13 in.), the cabinet needs to be approximately 2000 x 700 x 332 mm (78.7 x 27.6 x 13.0 in.) HxWxD.

$$2 \times (0.332 \times 0.70) + 2 \times (0.332 \times 2.0) + 2 \times (0.70 \times 2.0) = 4.59 \text{ m}^2$$

Because this cabinet size is considerably larger than what is necessary to house the system components, it may be more efficient to provide a means of cooling in a smaller cabinet. Contact your cabinet manufacturer for options available to cool your cabinet.

## Power Dissipation Specifications

Use this table to size an enclosure and calculate required ventilation for your Kinetix 300 drive system.

<b>Cat. No.</b>	<b>Power Dissipation, W</b>
2097-V31PR0	28
2097-V31PR2	39
2097-V32PR0	28
2097-V32PR2	39
2097-V32PR4	67
2097-V33PR1	28
2097-V33PR3	39
2097-V33PR5	67
2097-V33PR6	117
2097-V34PR3	39
2097-V34PR5	58
2097-V34PR6	99



## Minimum Clearance Requirements

This section provides information to assist you in sizing your cabinet and positioning your Kinetix 300 system components.

---

**IMPORTANT** Mount the module in an upright position as shown. Do not mount the drive module on its side.

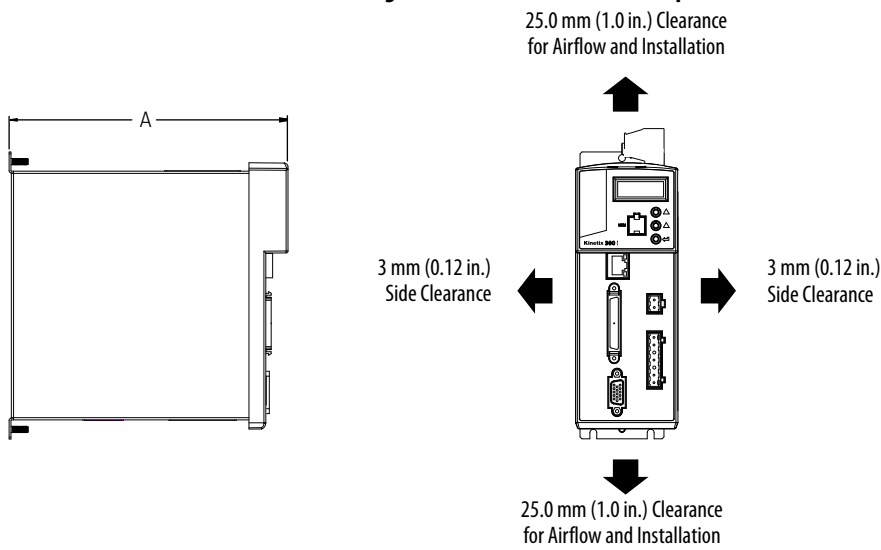
---

[Figure 2](#) illustrates minimum clearance requirements for proper airflow and installation:

- Additional clearance is required depending on the accessory items installed.
- An additional 9.7 mm (0.38 in.) clearance is required left of the drive if the I/O expansion terminal block is used.
- An additional 26 mm (1.0 in.) clearance is required right of the drive when the heatsink is present.
- An additional 36 mm (1.42 in.) is required right of the drive when the side-mount line filter is present. An additional 50 mm (2.0 in.) is required behind the drive when the rear-mount line filter is present.
- An additional 5.0 mm (0.19 in.) clearance is required in front of the drive when the 2090-K2CK-D15M feedback connector kit is used.
- Additional clearance is required for the cables and wires connected to the top, front, and bottom of the drive.
- An additional 150 mm (6.0 in.) is required when the drive is mounted adjacent to noise sensitive equipment or clean wireways.

See Kinetix Servo Drives Specifications Technical Data, publication [GMC-TD003](#) for Kinetix 300 drive dimensions.

**Figure 2 - Minimum Clearance Requirements**



Drive Cat. No.	A
2097-V31PR0	185 (7.29)
2097-V31PR2	185 (7.29)
2097-V32PR0	230 (9.04)
2097-V32PR2	230 (9.04)
2097-V32PR4	230 (9.04)
2097-V33PR1	185 (7.29)
2097-V33PR3	185 (7.29)
2097-V33PR5	185 (7.29)
2097-V33PR6	230 (9.04)
2097-V34PR3	185 (7.29)
2097-V34PR5	185 (7.29)
2097-V34PR6	230 (9.04)

## Electrical Noise Reduction

This section outlines best practices that minimize the possibility of noise-related failures as they apply specifically to Kinetix 300 system installations. For more information on the concept of high-frequency (HF) bonding, the ground plane principle, and electrical noise reduction, see the System Design for Control of Electrical Noise Reference Manual, publication [GMC-RM001](#).

### Bonding Drives

Bonding is the practice of connecting metal chassis, assemblies, frames, shields, and enclosures to reduce the effects of electromagnetic interference (EMI).

Unless specified, most paints are not conductive and act as insulators. To achieve a good bond between drive and the subpanel, surfaces must be paint-free or plated. Bonding metal surfaces creates a low-impedance return path for high-frequency energy.

---

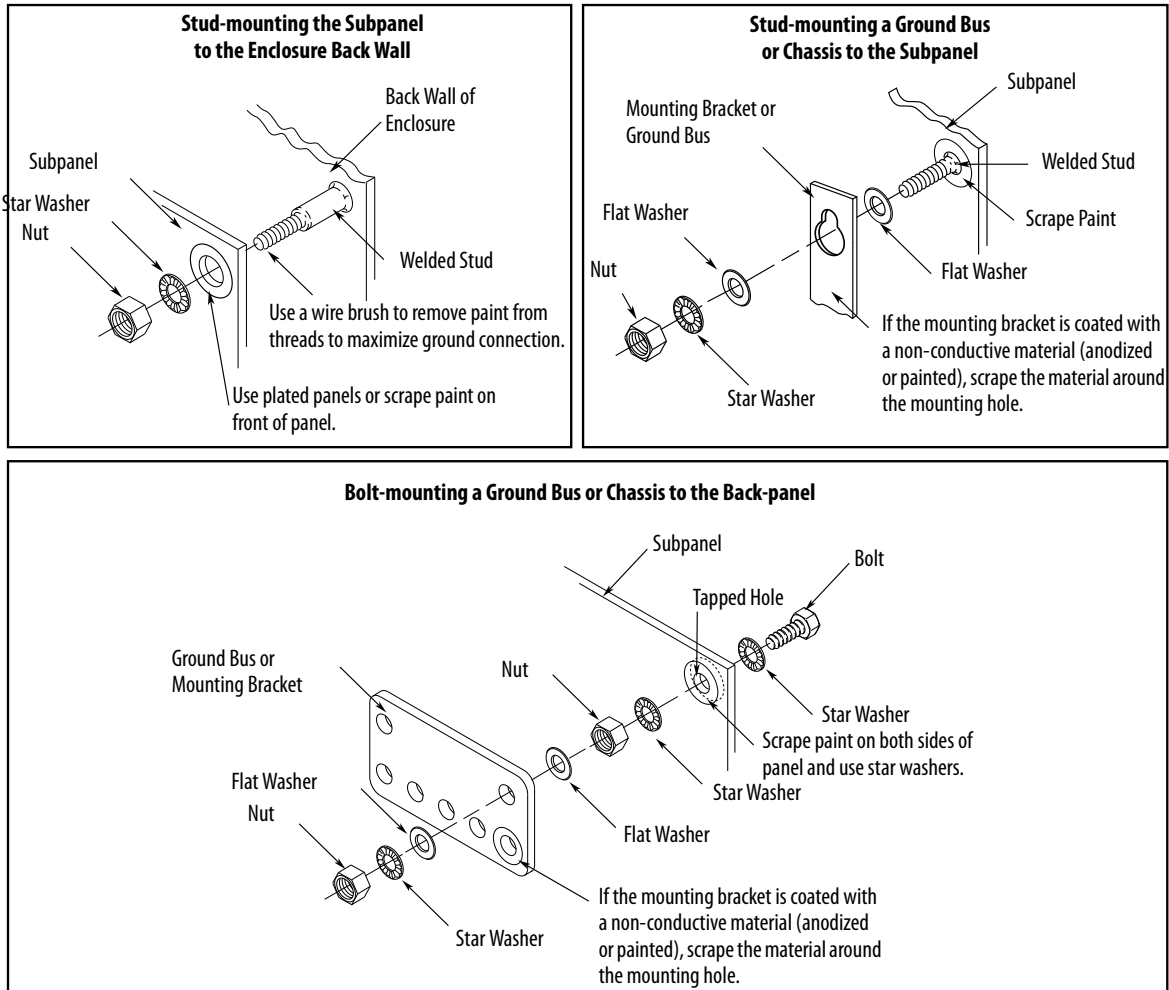
**IMPORTANT** To improve the bond between the drive and subpanel, construct your subpanel out of zinc plated (paint-free) steel.

---

Improper bonding of metal surfaces blocks the direct return path and allows high-frequency energy to travel elsewhere in the cabinet. Excessive high-frequency energy can effect the operation of other microprocessor controlled equipment.

These illustrations show recommended bonding practices for painted panels, enclosures, and mounting brackets.

**Figure 3 - Recommended Bonding Practices for Painted Panels**

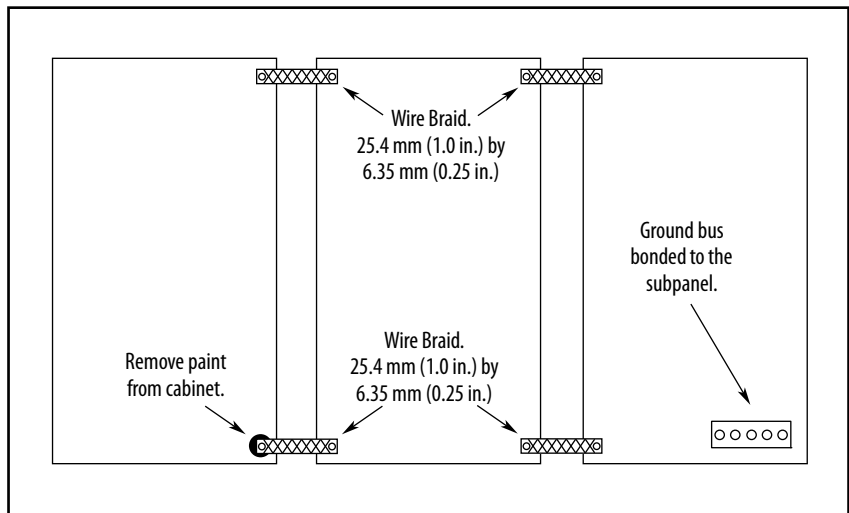


## Bonding Multiple Subpanels

Bonding multiple subpanels creates a common low impedance exit path for the high frequency energy inside the cabinet. Subpanels that are not bonded together may not share a common low impedance path. This difference in impedance may affect networks and other devices that span multiple panels.

- Bond the top and bottom of each subpanel to the cabinet by using 25.4 mm (1.0 in.) by 6.35 mm (0.25 in.) wire braid. As a rule, the wider and shorter the braid is, the better the bond.
- Scrape the paint from around each fastener to maximize metal-to-metal contact.

Figure 4 - Multiple Subpanels and Cabinet Recommendations

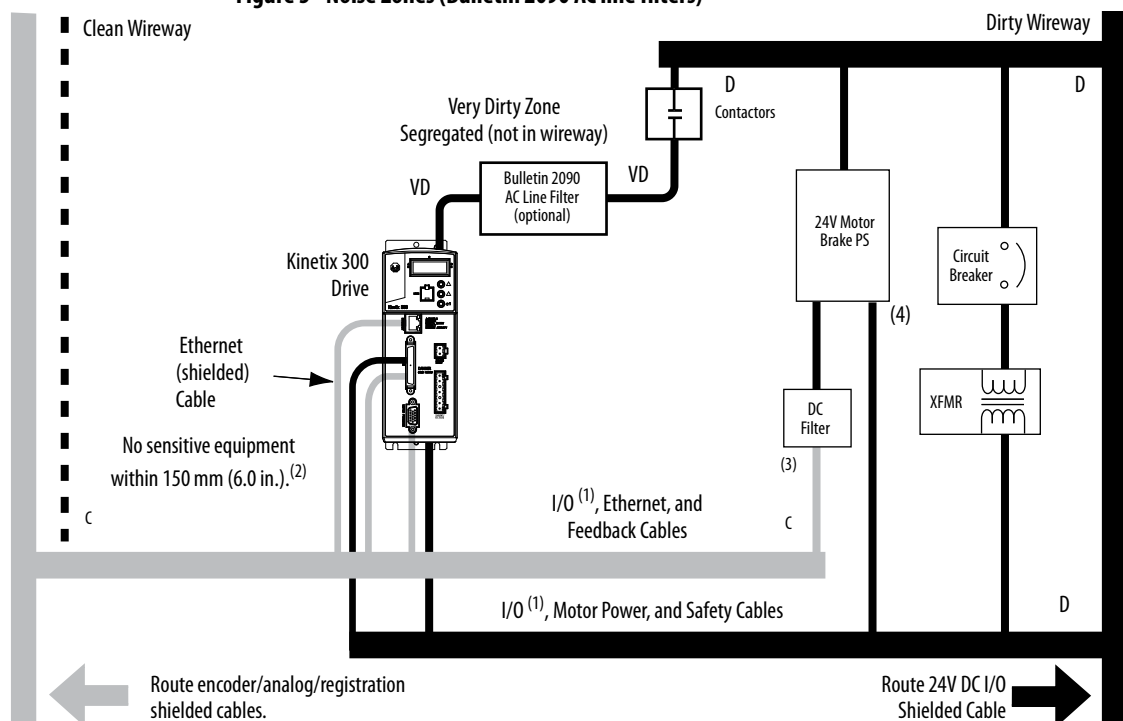


## Establishing Noise Zones

Observe these guidelines when individual input power components are used in the Kinetix 300 system:

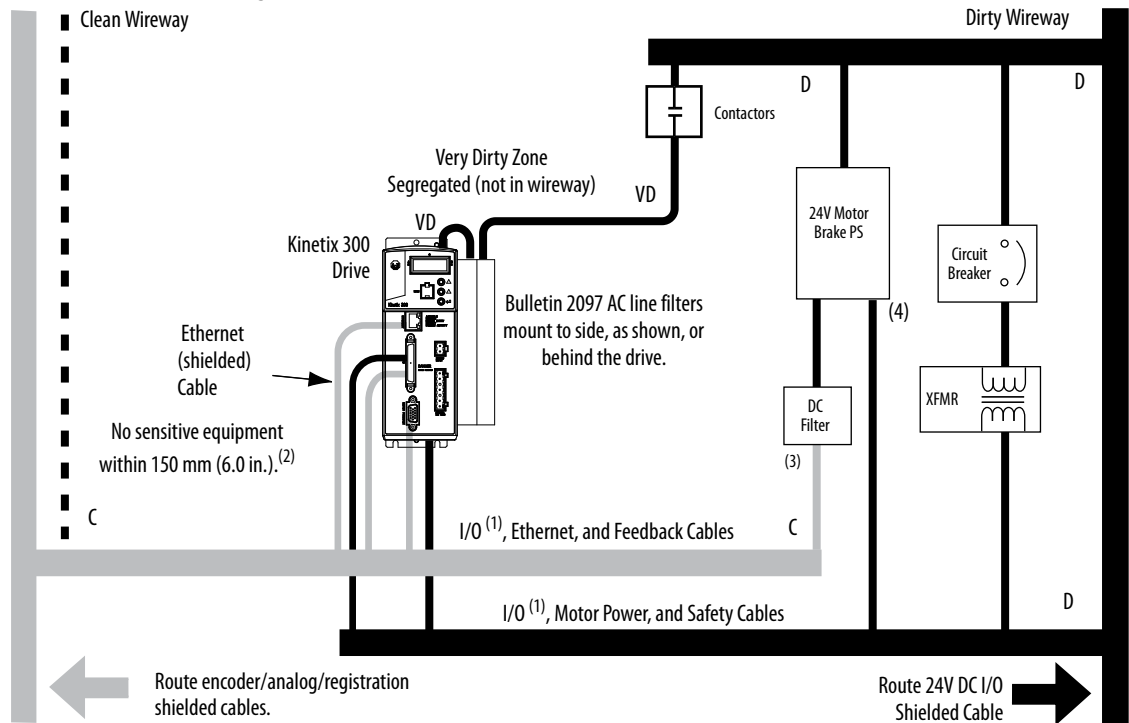
- The clean zone (C) exits left of the Kinetix 300 system and includes the I/O wiring, feedback cable, Ethernet cable, and DC filter (grey wireway).
- The dirty zone (D) exits right of the Kinetix 300 system (black wireway) and includes the circuit breakers, transformer, 24V DC power supply, contactors, AC line filter, motor power, and safety cables.
- The very dirty zone (VD) is limited to where the AC line (EMC) filter VAC output jumpers over to the drive. Shielded cable is required only if the very dirty cables enter a wireway.

**Figure 5 - Noise Zones (Bulletin 2090 AC line filters)**



- (1) If drive system I/O cable contains (dirty) relay wires, route cable in dirty wireway.
- (2) For tight spaces use a grounded steel shield. For examples, see the System Design for Control of Electrical Noise Reference Manual, publication [GMC-BM001](#).
- (3) This is a clean 24V DC available for any device that may require it. The 24V enters the clean wireway and exits to the left.
- (4) This is a dirty 24V DC available for motor brakes and contactors. The 24V enters the dirty wireway and exits to the right.

Figure 6 - Noise Zones (Bulletin 2097 AC line filters)



- (1) If drive system I/O cable contains (dirty) relay wires, route cable in dirty wireway.
- (2) For tight spaces use a grounded steel shield. For examples, see the System Design for Control of Electrical Noise Reference Manual, publication [GMC-RM001](#).
- (3) This is a clean 24V DC available for any device that may require it. The 24V enters the clean wireway and exits to the left.
- (4) This is a dirty 24V DC available for motor brakes and contactors. The 24V enters the dirty wireway and exits to the right.

## Cable Categories for Kinetix 300 Drive Components

These table indicate the zoning requirements of cables connecting to the Kinetix 300 drive components.

**Table 6 - Kinetix 300 Drive Components**

Wire/Cable	Connector	Zone			Method	
		Very Dirty	Dirty	Clean	Ferrite Sleeve	Shielded Cable
L1, L2, L3 (unshielded cable)	IPD	X				
U, V, W (motor power)	MP		X			X
+, -, SH (shunt resistor)	BC		X			
24V DC	BP			X		
Control COM, 24V DC control, safety enable, and feedback signals for safe-off feature	STO		X			
Motor feedback	MF			X		X
Registration and analog outputs	IOD			X		X
Others			X			
Ethernet	Port 1			X		X

## Noise Reduction Guidelines for Drive Accessories

See this section when mounting an AC line filter or shunt resistor module for guidelines designed to reduce system failures caused by excessive electrical noise.

### *AC Line Filters*

Observe these guidelines when mounting your AC line filter:

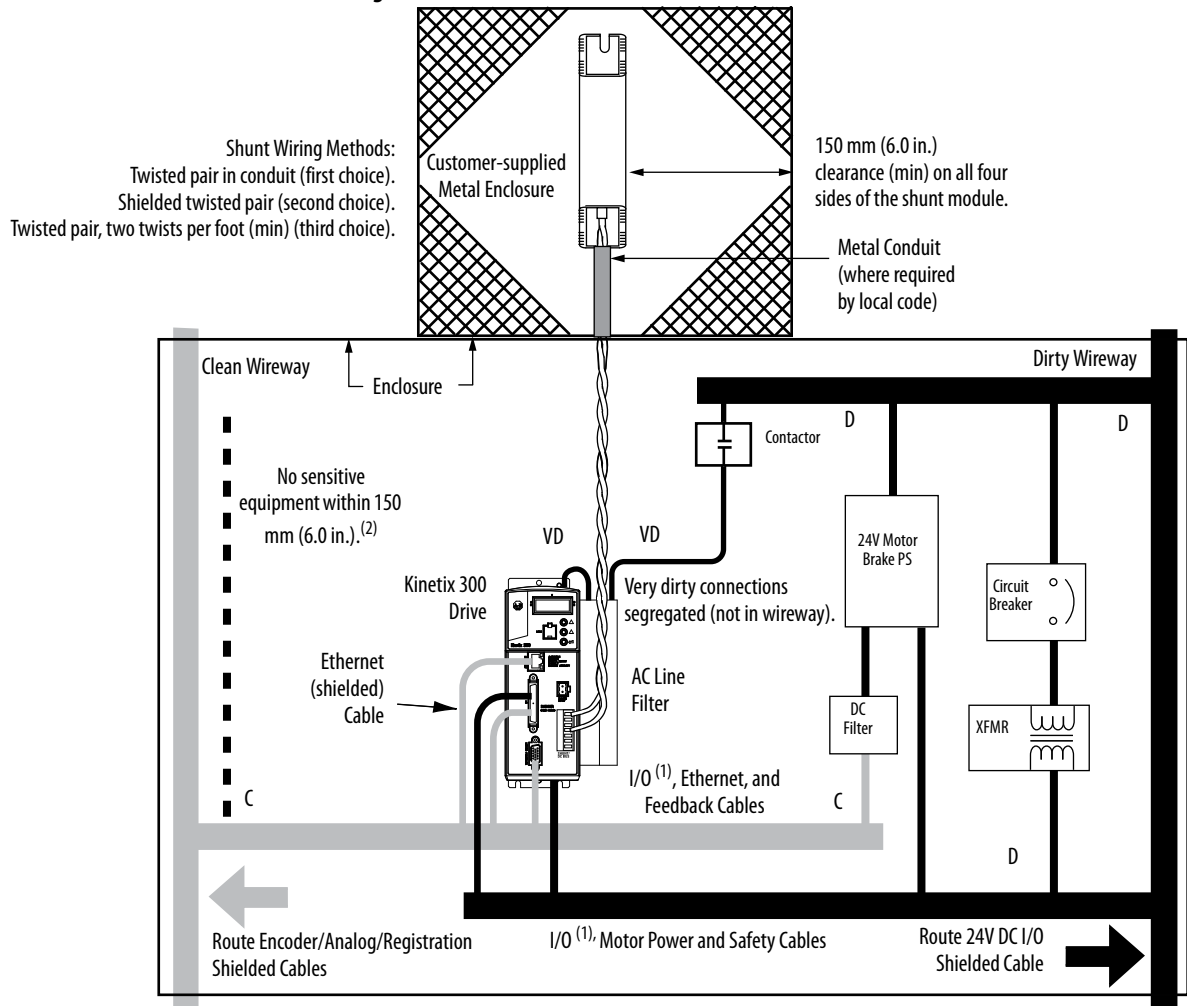
- If you are using a Bulletin 2090 line filter, mount the filter on the same panel as the Kinetix 300 drive, and as close to the drive as possible.
- Good HF bonding to the panel is critical. For painted panels, see the examples on [page 27](#).
- Segregate input and output wiring as far as possible.

### Shunt Resistors

Observe these guidelines when mounting your shunt resistor outside the enclosure:

- Mount shunt resistor and wiring in the very dirty zone or in an external shielded enclosure.
- Mount resistors in a shielded and ventilated enclosure outside the cabinet.
- Keep unshielded wiring as short as possible. Keep shunt wiring as flat to the cabinet as possible.

**Figure 7 - Shunt Resistor Outside the Enclosure**



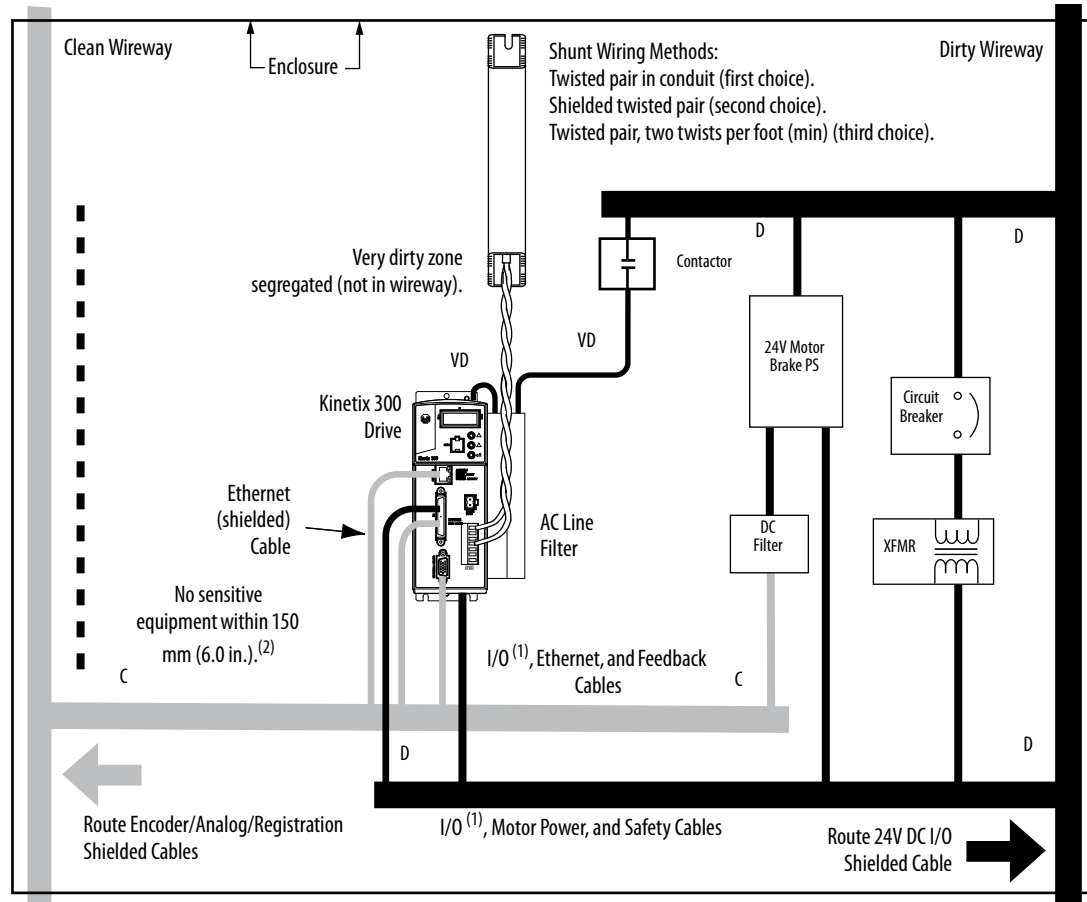
(1) If drive system I/O cable contains (dirty) relay wires, route cable in dirty wire way.  
 (2) When space does not permit 150 mm (6.0 in.) clearance, install a grounded steel shield between the drive and clean wireway. For examples, see the System Design for Control of Electrical Noise Reference Manual, publication [GMC-RM001](#).



When mounting your shunt module inside the enclosure, follow these additional guidelines:

- Mount the shunt resistor anywhere in the dirty zone, but as close to the Kinetix 300 drive as possible.
- Shunt wires can be run with motor power cables.
- Keep unshielded wiring as short as possible. Keep shunt wiring as flat to the cabinet as possible.
- Separate shunt wires from other sensitive, low-voltage signal cables.

**Figure 8 - Shunt Resistor Inside the Enclosure**



(1) If drive system I/O cable contains (dirty) relay wires, route cable in dirty wire way.

(2) When space does not permit 150 mm (6.0 in.) clearance, install a grounded steel shield between the drive and clean wireway. For examples, see the System Design for Control of Electrical Noise Reference Manual, publication [GMC-RM001](#).

### Motor Brake

The brake is mounted inside the motor and how you connect to the drive depends on the motor series.

See [Kinetix 300 Drive/Rotary Motor Wiring Examples](#) beginning on [page 176](#) for the interconnect diagram of your drive/motor combination.

## Mount Your Kinetix 300 Drive

This procedure assumes you have prepared your panel and understand how to bond your system. For installation instructions regarding other equipment and accessories, see the instructions that came with those products.



**ATTENTION:** This drive contains electrostatic discharge (ESD) sensitive parts and assemblies. You are required to follow static control precautions when you install, test, service, or repair this assembly. If you do not follow ESD control procedures, components can be damaged. If you are not familiar with static control procedures, see Allen-Bradley publication [8000-4.5.2, Guarding Against Electrostatic Damage](#) or any other applicable ESD Protection Handbook.

---

Follow these steps to mount your Kinetix 300 drive.

1. Lay out the position for the Kinetix 300 drive and accessories in the enclosure.

See [Establishing Noise Zones](#) on [page 29](#) for panel layout recommendations. Mounting hole dimensions for the Kinetix 300 drive are shown in Kinetix Servo Drives Specifications Technical Data, publication [GMC-TD003](#).

2. Attach the Kinetix 300 drive to the cabinet, first by using the upper mounting slots of the drive and then the lower.

The recommended mounting hardware is M4 (#6-32) steel machine screws torqued to 1.1 N•m (9.8 lb•in). Observe bonding techniques as described in [Bonding Drives](#) on [page 26](#).

---

**IMPORTANT** To improve the bond between the Kinetix 300 drive and subpanel, construct your subpanel out of zinc plated (paint-free) steel.

---

3. Tighten all mounting fasteners.

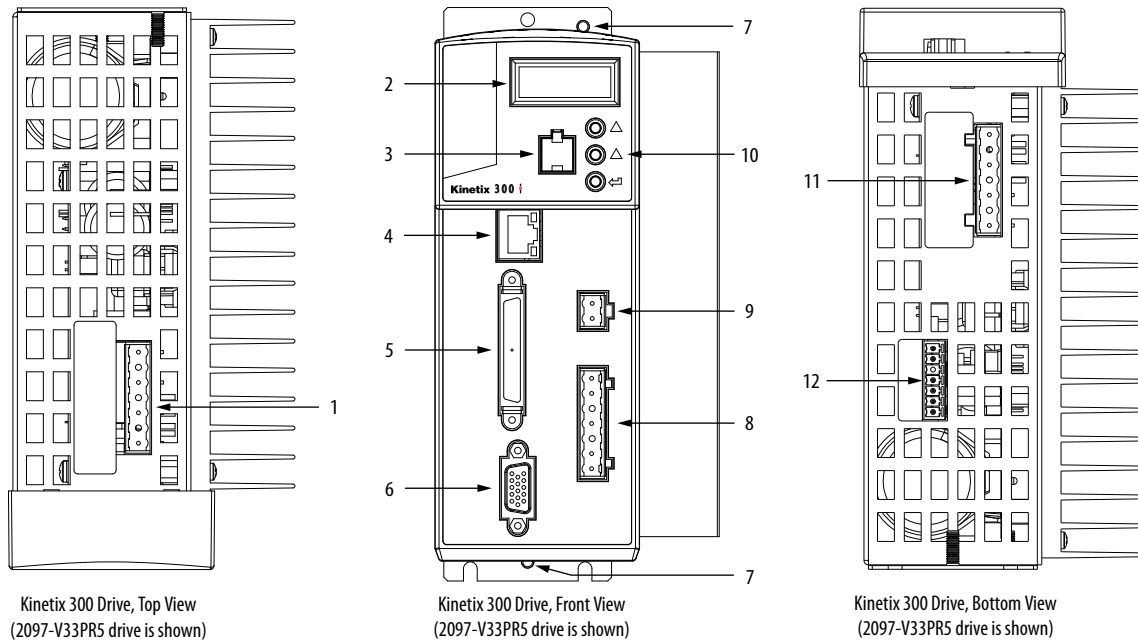
## Kinetix 300 Drive Connector Data and Feature Descriptions

<b>Topic</b>	<b>Page</b>
Kinetix 300 Drive Connectors and Indicators	36
Control Signal Specifications	41
Motor Feedback Specifications	51

## Kinetix 300 Drive Connectors and Indicators

Although the physical size of the Kinetix 300 drives vary, the location of the connectors and indicators is identical.

Figure 9 - Kinetix 300 Drive Connector and Indicators



Item	Description
1	Mains (IPD) connector
2	Status and diagnostic display
3	Memory module socket
4	Ethernet communication port (Port 1)
5	I/O (IOD) connector
6	Motor feedback (MF) connector

Item	Description
7	Ground lug
8	Shunt resistor and DC bus (BC) connector
9	Back-up power (BP) connector
10	Display control push buttons (3)
11	Motor power (MP) connector
12	Safe torque-off (STO) connector

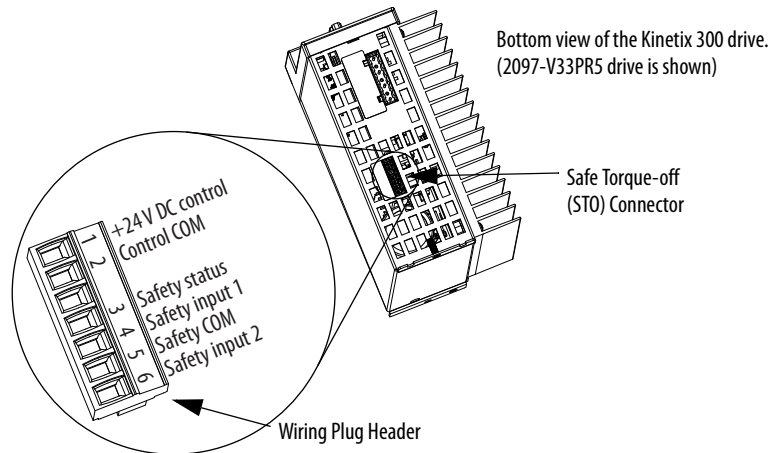
Table 7 - Kinetix 300 Drive Connectors

Designator	Description	Connector
IPD	AC input power	3-position or 4-position plug/header
PORT1	Ethernet communication port	RJ45 Ethernet
IOD	I/O	SCSI 50 pin high density connector
MF	Motor feedback	15-pin high-density D-shell (male)
CPD	Back-up power	2-pin quick-connect terminal block
BC	Shunt Resistor and DC Bus	7-pin quick-connect terminal block
MP	Motor power	6-pin quick-connect terminal block
STO	Safe torque off (STO) terminal	6-pin quick-connect terminal block

## Safe Torque-off Connector Pinout

The Kinetix 300 drive ships with the (6-pin) wiring-plug header that connects your safety circuit to the Kinetix 300 drive safe torque-off (STO) connector. If your system does not use the safe torque-off feature, follow instructions in [Safe Torque-off Feature Bypass](#) starting on [page 166](#) to wire the drive with motion-allowed jumpers.

**Figure 10 - Safe Torque-off Connector**



**Table 8 - Kinetix 300 Drive Safe Torque-off Connector Pinout**

STO Pin	Description	Signal
1	+24V DC output from the drive	+24V DC control
2	+24V DC output common	Control COM
3	Safety status	Safety Status
4	Safety input 1 (+24V DC to enable)	Safety Input 1
5	Safety common	Safety COM
6	Safety input 2 (+24V DC to enable)	Safety Input 2

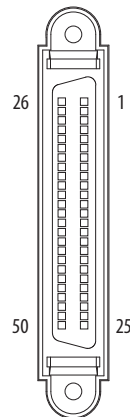
**IMPORTANT** Pins STO-1 (+24V DC Control) and STO-2 (Control COM) are used only by the motion-allowed jumpers to defeat the safe torque-off function. When the safe torque-off function is in operation, the 24V supply must come from an external source.

### I/O Connector Pinout

IOD Pin	Description	Signal
1	Master encoder A+/Step+ input	MA+
2	Master encoder A-/Step- input	MA-
3	Master encoder B+/Direction+ input	MB+
4	Master encoder B-/Direction- input	MB-
5	Reserved	—
6	Reserved	—
7	Buffered encoder output: channel A+	BA+
8	Buffered encoder output: channel A-	BA-
9	Buffered encoder output: channel B+	BB+
10	Buffered encoder output: channel B-	BB-
11	Buffered encoder output: channel Z+	BZ+
12	Buffered encoder output: channel Z-	BZ-
13...21	Reserved	—
22	Analog common	ACOM
23	Analog output (max 10 mA)	A0
24	Positive (+) of analog signal input	AIN1+
25	Negative (-) of analog signal input	AIN1-
26	Digital input group ACOM terminal	IN_A_COM
27	Negative travel limit switch	IN_A1
28	Positive travel limit switch	IN_A2
29	Inhibit/enable input	IN_A3

IOD Pin	Description	Signal
30	Digital input A4	IN_A4
31	Digital input group BCOM terminal	IN_B_COM
32	Digital input B1	IN_B1
33	Digital input B2	IN_B2
34	Digital input B3	IN_B3
35	Digital input B4	IN_B4
36	Digital input Group CCOM Terminal	IN_C_COM
37	Digital input C1	IN_C1
38	Digital input C2	IN_C2
39	Registration input sensor	IN_C3
40	Digital input C4	IN_C4
41	Ready output collector	RDY+
42	Ready output emitter	RDY-
43	Programmable output #1 collector	OUT1-C
44	Programmable output #1 emitter	OUT1-E
45	Programmable output #2 collector	OUT2-C
46	Programmable output #2 emitter	OUT2-E
47	Programmable output #3 collector	OUT3-C
48	Programmable output #3 emitter	OUT3-E
49	Programmable output #4 collector	OUT4-C
50	Programmable output #4 emitter	OUT4-E

Figure 11 - Pin Orientation for 50-pin SCSI I/O (IOD) Connector



### Motor Feedback (MF) Connector Pinout

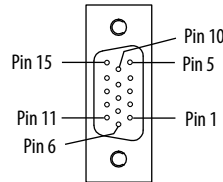
MF Pin	Description	Signal
1	Sine differential input+ AM+ differential input+	SIN+ AM+
2	Sine differential input- AM- differential input-	SIN- AM-
3	Cosine differential input+ BM+ differential input+	COS+ BM+
4	Cosine differential input- BM- differential input-	COS- BM-
5	Data differential input + Index pulse+	DATA+ IM+
6	Common	ECOM
7	Encoder power (+9V)	EPWR_9V <sup>(2)</sup>
8	Single-ended 5V Hall effect commutation	S3

MF Pin	Description	Signal
9	Reserved	—
10	Data differential input - Index pulse-	DATA- IM-
11	Motor thermal switch (normally closed) <sup>(1)</sup>	TS
12	Single-ended 5V Hall effect commutation	S1
13	Single-ended 5V Hall effect commutation	S2
14	Encoder power (+5V)	EPWR_5V <sup>(2)</sup>
15	Reserved	—

- (1) Not applicable unless motor has integrated thermal protection.
- (2) Encoder power supply uses either 5V or 9V DC based on encoder/motor used.

**IMPORTANT** Drive-to-motor power and feedback cable length must not exceed 20 m (65.6 ft). System performance was tested at these specifications and also apply when meeting CE requirements.

**Figure 12 - Pin Orientation for 15-pin Motor Feedback (MF) Connector**

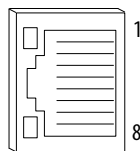


### Ethernet Communication Connector Pinout

Port 1 Pin	Description	Signal
1	Transmit Port (+) Data Terminal	+ TX
2	Transmit Port (-) Data Terminal	- TX
3	Receive Port (+) Data Terminal	+ RX
4	—	—

Port 1 Pin	Description	Signal
5	—	—
6	Receive Port (-) Data Terminal	- RX
7	—	—
8	—	—

**Figure 13 - Pin Orientation for 8-pin Ethernet Communication (port 1) Port**



### AC Input Power Connector Pinout

IPD Designator	Description (2097-V31PRx drives)	Signal
L2/N	AC Power In (non-doubler operation)	L2/N
L1	AC Power In	L1
N	AC Power Neutral (120V doubler only)	N
PE	Protective Earth (ground)	PE

IPD Designator	Description (2097-V32PRx drives)	Signal
L2	AC Power In	L2
L1	AC Power In	L1
PE	Protective Earth (ground)	PE

IPD Designator	Description (2097-V33PRx, and 2097-V34PRx drives)	Signal
L3	AC Power In (three-phase models)	L3
L2	AC Power In	L2
L1	AC Power In	L1
PE	Protective Earth (ground)	PE

### Back-up Power Connector Pinout

BP Designator	Description	Signal
+24V	Positive 24V DC	+24V DC
-24V	24V DC power supply return	Return

### Shunt Resistor and DC Bus Connector Pinout

BC Designator	Description	Signal
+	Positive DC bus/Shunt resistor	+
+		+
SH	Shunt Resistor	SH
-	Negative DC bus	-
-		-

### Motor Power Connector Pinout

MP Designator	Description	Signal
PE	Protective Earth (ground)	PE
W	Motor power out	W
V	Motor power out	V
U	Motor power out	U



## Control Signal Specifications

This section provides a description of the Kinetix 300 drive I/O (IOD), communication, shunt resistor and DC bus (BC), and back-up power (BP) connectors.

### Digital Inputs

The Kinetix 300 drive has twelve digital inputs. They can be used for travel limit switches, proximity sensors, push buttons, and hand shaking with other devices. Each input can be assigned an individual de-bounce time via MotionView software or Explicit Messaging.

The inputs are separated into three groups: A, B, and C. Each group has four inputs and share one common: ACOM, BCOM, and CCOM respectively.

Travel limit switches, the inhibit/enable input, and registration input have dedicated inputs as shown in [Table 9](#). For more information on the overtravel inputs, see Appendix E on [page 217](#).

**Table 9 - Digital Input Assignments**

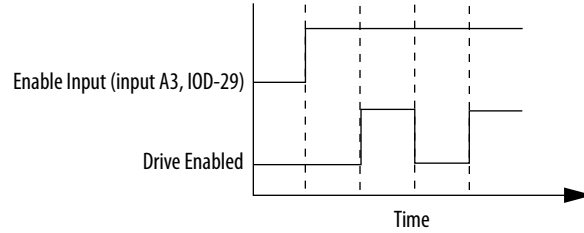
Digital Input	Function
IN_A1	Negative travel limit switch
IN_A2	Positive travel limit switch
IN_A3	Inhibit/enable input
IN_A4	N/A
IN_B1	N/A
IN_B2	N/A
IN_B3	N/A
IN_B4	N/A
IN_C1	N/A
IN_C2	N/A
IN_C3	Registration input sensor
IN_C4	N/A

You can configure the inputs listed as N/A for any of these functions.

- Abort Homing
- Abort Index
- Start Homing
- Start Index
- Fault Reset
- Home Sensor
- Index Select

Some of the digital inputs exercise control over functions under the control of the Output Assembly. When a digital input is mapped to the same function as exists in the Output Assembly, the following timing diagrams apply.

**Figure 14 - Enable Timing Diagram (enable switch function configured for Run)**

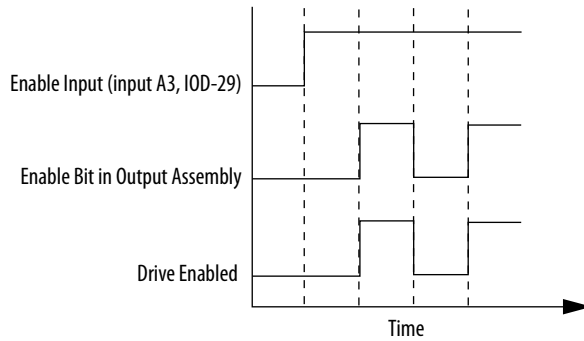



---

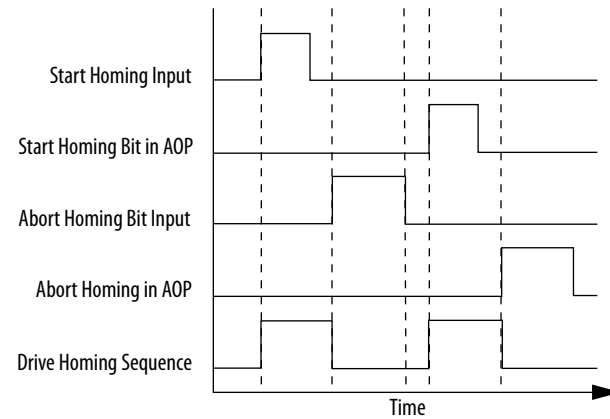
**IMPORTANT** Do not use EtherNet/IP for control and for configuring the Enable switch function for Run.

---

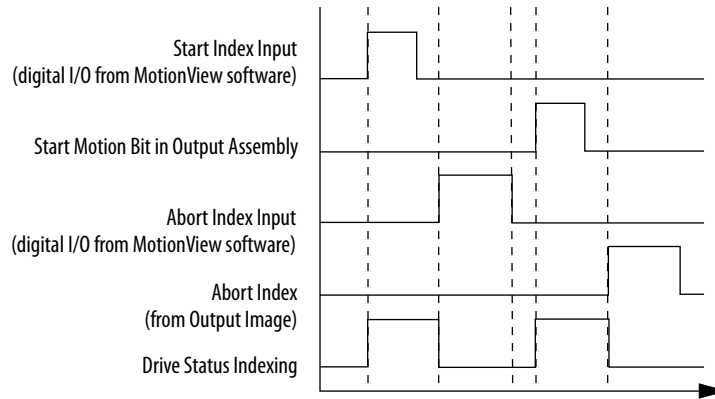
**Figure 15 - Enable Timing Diagram (enable switch function configured for Inhibit)**



**Figure 16 - Homing Timing Diagram**



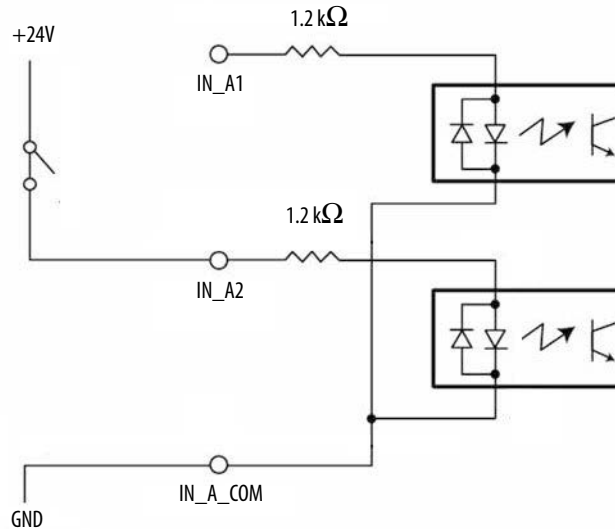
**Figure 17 - Indexing Timing Diagram**



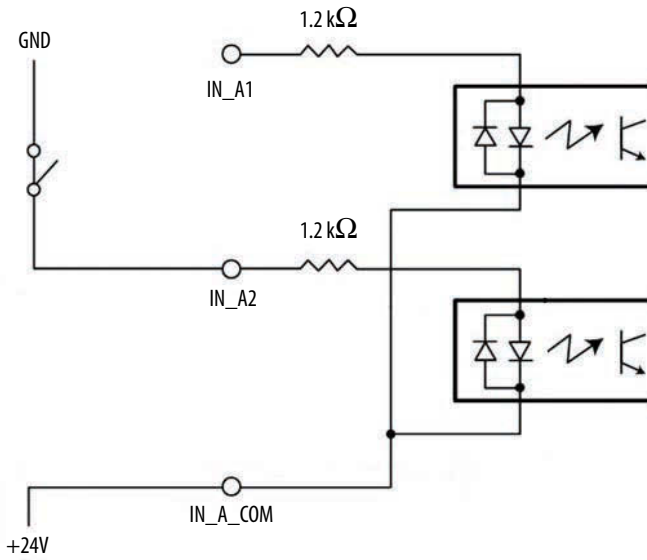
**TIP** The drive must be enabled for homing and indexing mode.

The digital inputs are optically isolated and sinks up to 24V DC. Electrical details are shown in [Table 10](#) on [page 44](#). You can set up the inputs for PNP sourcing or NPN sinking.

**Figure 18 - Sourcing of Digital Inputs**



**Figure 19 - Sinking of Digital Inputs**



**Table 10 - Digital Input Signal Specifications**

Parameter	Value
Scan time	500 $\mu$ s
Current, max	9 mA, typical
Input impedance	1.2 k $\Omega$ , typical
Voltage range	5...24V DC

## Digital Outputs

There are five digital outputs, OUT1...OUT4 and RDY, available on the IOD connector. Outputs are optically isolated open collector/emitter and are fully isolated from the drive circuits. Each output, OUT1...OUT4, can be assigned to one of these functions:

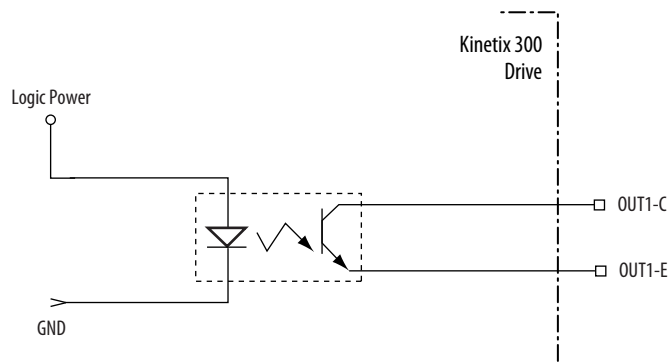
- Not assigned
- Zero speed
- In-speed window
- Current limit
- Run-time fault
- Ready
- Brake (motor brake release)

The Ready Output has a fixed function that becomes active when the drive is enabled and the output power transistors become energized.

**Table 11 - Digital Output Signal Specifications**

Parameter	Value
Scan time	500 $\mu$ s
Current, max	100 mA
Voltage, max	30V DC

**Figure 20 - Digital Output Circuit**



## Analog Reference Input

The analog reference input AIN1+ and AIN1- (IOD-24 and IOD-25) accepts up to a  $\pm 10\text{V}$  DC analog signal as shown in [Table 12](#). The analog signal is converted to a digital value with 12 bit resolution (11-bit plus sign). The total reference voltage as seen by the drive is the voltage difference between AIN1+ and AIN1-. If used in Single-ended mode, one of the inputs must be connected to a voltage source while the other one must be connected to Analog Common (ACOM). If used in Differential mode, the voltage source is connected across AIN1+ and AIN1- and the driving circuit common, if available, is connected to the drive Analog Common (ACOM) terminal.

**Table 12 - Analog Signal Input Specifications**

Parameter	Value
Scan time	0.0625 ms
Current, max	Depend on load
Input impedance	47 k $\Omega$ , typical
Voltage range	-10...10V DC

## Analog Output

The analog output (AO) on pin IOD-23 has a 10-bit resolution. The analog output is a single-ended signal with reference to Analog Common (ACOM) that can represent this motor data:

- Not Assigned
- RMS Phase Current
- RMS Peak Current
- Motor Velocity
- Phase Current U
- Phase Current V
- Phase Current W
- Iq Current
- Id Current

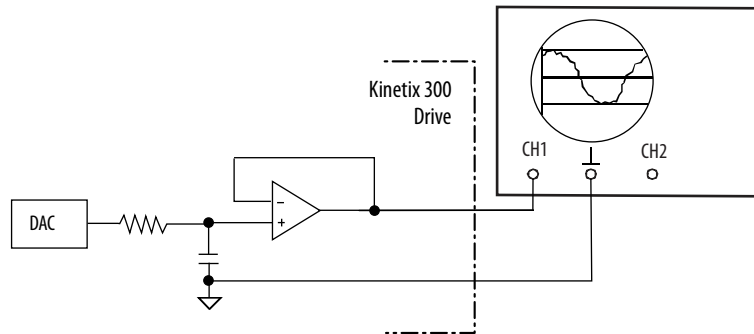
---

**IMPORTANT** Output values can vary during powerup until the specified power supply voltage is reached.

MotionView software refers to Phase Current U, V, and W as R, S, and T respectively.

---

**Figure 21 - Analog Output Circuit**



**Table 13 - Analog Output Specifications**

Parameter	Value
Scan time	0.0625 ms
Current, max	10 mA
Voltage range	-10...10V DC

For configuration/setup of the analog outputs, see [Configure the Drive Parameters and System Variables](#) beginning on [page 145](#).

## Master Gearing/Step and Direction Inputs

You can connect a master encoder with quadrature outputs to the Kinetix 300 drive and control position in the Master Gearing operating mode.

You can connect a step and direction signal pair to the Kinetix 300 drive and control position in the Step and Direction operating mode.

These inputs are optically isolated from the rest of the drive circuits and from each other. Both inputs can operate from any voltage source in the range of 5...24V DC and do not require additional series resistors for normal operation.

**IMPORTANT** Master gearing inputs must be incremental encoders with TTL outputs.

Figure 22 - Step and Direction Timing Diagram

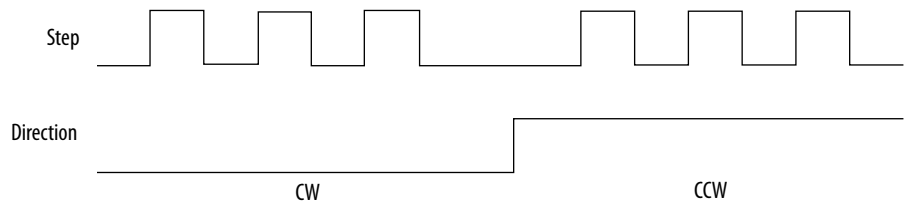


Figure 23 - Master Encoder Timing Diagram

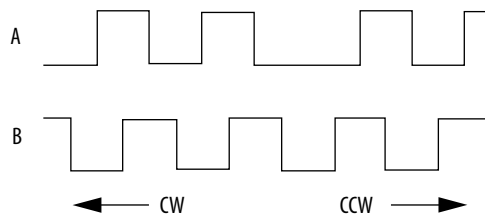
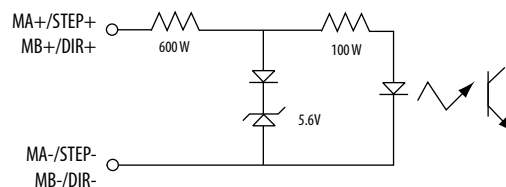


Table 14 - Input Type and Output Compatibility

Attribute	Value
Recommended voltage	5...24V DC
Input frequency, max	2 MHz
Pulse width (negative or positive)	500 ns
Input impedance	700 Ω

Figure 24 - Master Gearing/Step and Direction Input Circuit Diagram



Differential signal inputs are preferred when using master gearing/step and direction. When using differential signal inputs, sinking or sourcing outputs can



be used. Single-ended inputs can be used but are not recommended. Sinking type outputs cannot be used if single-ended inputs are used. The function of these master gearing/step and direction inputs is software selectable. Use the MotionView software, General category, to choose the desirable function.

An external pulse train signal (step) supplied by an external device, such as a PLC or stepper indexer, can control the speed and position of the servo motor. The speed of the motor is controlled by the frequency of the step signal, and the number of pulses that are supplied to the Kinetix 300 drive determines the position of the servo motor. Direction input controls direction of the motion.

## Buffered Encoder Outputs

There are many applications where it is desired to close the feedback loop to an external device. This feature is accessible through the buffered encoder output connections (IOD-7...IOD-12) for TTL differential line encoder types. A master drive powering a motor with a SICK-Stegmann or Tamagawa high-resolution encoder does not generate buffered encoder outputs for master gearing to a slave drive.

---

**IMPORTANT** The buffered encoder outputs are not compatible with SICK-Stegmann or Tamagawa high-resolution motor feedback.

---

If a motor with encoder feedback is being used, the A+, A-, B+, B-, Z+, and Z- signals are passed directly through drive pins IOD-7...IOD-12 with no filtering, up to a speed of 2 MHz. The encoder pass through delay is approximately 100 ns.

## Ethernet Connections

An RJ45 Ethernet connector (port 1) is provided on the Kinetix 300 drive.

**Table 15 - Ethernet Communication Specifications**

Attribute	Value
Communications	100BASE-TX, full duplex
Cyclic update period	2 ms, min
Auto MDI/MDIX crossover detection/correction	Yes
Cabling	CAT5E or CAT6, unshielded or shielded, 100 m (328 ft)

## 24V DC Back-up Power

The Kinetix 300 drive can use an external power supply to power the logic and communication circuits. If an independent 24V (@ 1 A) power supply is connected to the BP connector, the logic and communication circuits remain active during a mains input power loss.

**Table 16 - 24V DC Back-up Power Specifications**

Attribute	Value
Input voltage	20...26V DC
Current	500 mA
Inrush, max	30 A

## Motor Feedback Specifications

The Kinetix 300 drive accepts motor feedback signals from the following types of encoders with these general specifications.

**Table 17 - Motor Feedback General Specifications**

Attribute	Motor Feedback
Feedback device support	<ul style="list-style-type: none"> <li>• SICK-Stegmann Hiperface</li> <li>• Generic TTL Incremental</li> <li>• Tamagawa 17-bit Serial</li> </ul>
Power supply voltage (EPWR5V)	5.13...5.67V
Power supply current (EPWR5V)	400 mA, max <sup>(1)</sup> <sup>(2)</sup>
Power supply voltage (EPWR9V)	8.3...9.9V
Power supply current (EPWR9V)	275 mA, max <sup>(2)</sup> <sup>(3)</sup>
Thermostat	Single-ended, under 500 $\Omega$ = no fault, over 10 k $\Omega$ = fault

(1) 400 mA on the 5V supply with no load on the 9V supply.

(2) 300 mA on the 5V supply with 150 mA on the 9V supply.

(3) 275 mA on the 9V supply with no load on the 5V supply.

**TIP** Auto-configuration is possible by using the Kinetix 300 drive MotionView OnBoard software for Allen-Bradley motors.

## Motor Feedback Specifications

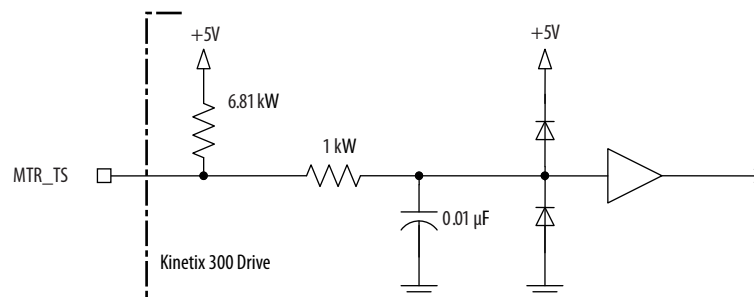
The Kinetix 300 drives support multiple types of feedback devices by using the 15-pin (MF) motor feedback connector and sharing connector pins in many cases.

**Table 18 - Motor Feedback Signals by Device Type**

MF Pin	SICK-Stegmann Hiperface	Generic TTL Incremental	Tamagawa 17-bit Serial
1	SIN+	AM+	—
2	SIN-	AM-	—
3	COS+	BM+	—
4	COS-	BM-	—
5	DATA+	IM+	DATA+
6	ECOM	ECOM	ECOM
7	EPWR9V	—	—
8	—	S3	—
9	—	—	—
10	DATA-	IM-	DATA-
11	TS	TS	—
12	—	S1	—
13	—	S2	—
14	—	EPWR5V	EPWR5V
15	—	—	—

This is the motor thermostat interface schematic. Although the thermostat signal is shown for all feedback types, some motors may not support this feature because it is not part of the feedback device.

**Figure 25 - Motor Thermostat Interface**



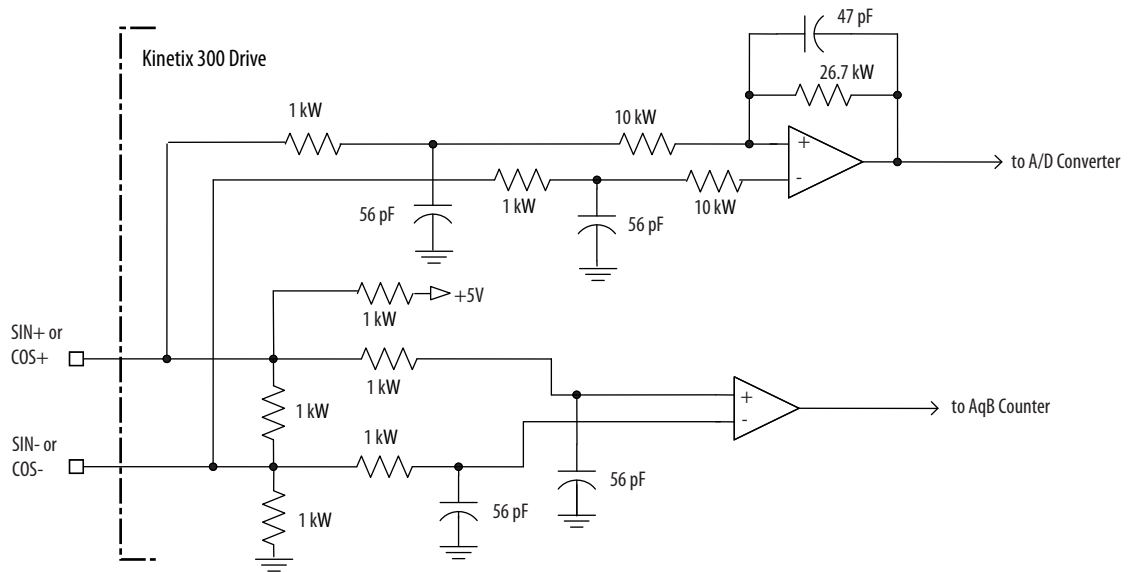
**Table 19 - Motor Thermostat State Specifications**

State	Resistance at TS
No Fault	500 Ω
Fault	10 kΩ

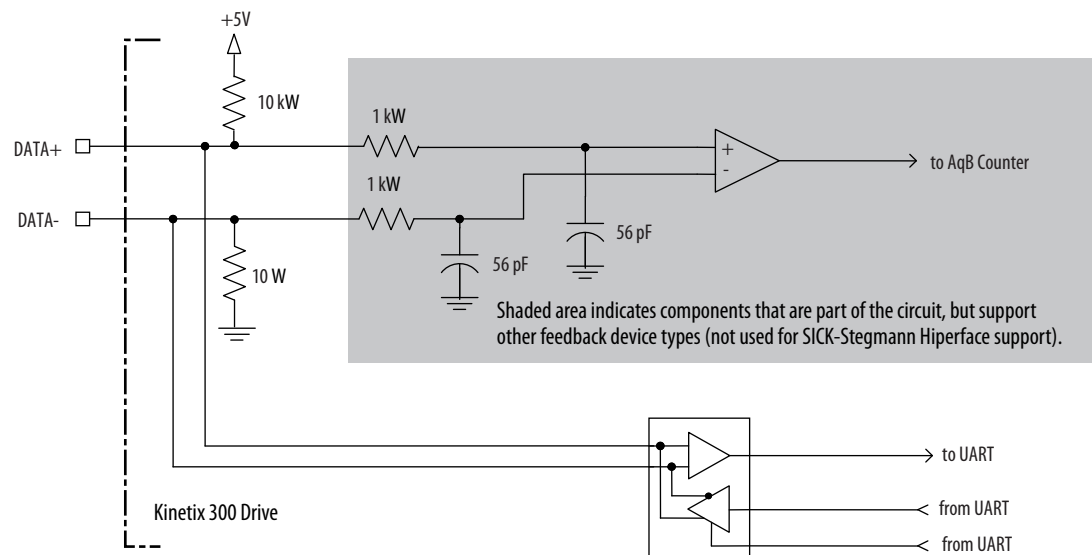
**Table 20 - SICK-Stegmann Hiperface Specifications**

Attribute	Value
Protocol	Hiperface
Memory support	Not programmed, or programmed with Allen-Bradley motor data
Hiperface data communication	RS485, 9600 baud, 8 data bits, no parity
Sine/Cosine interpolation	2048 counts/sine period
Input frequency (AM/BM)	250 kHz, max
Input voltage (AM/BM)	0.6...1.2V, p-p, measured at the drive inputs
Line loss detection (AM/BM)	Average $(\sin^2 + \cos^2) > \text{constant}$

**Figure 26 - SICK-Stegmann Hiperface Interface, SIN and COS Signals**



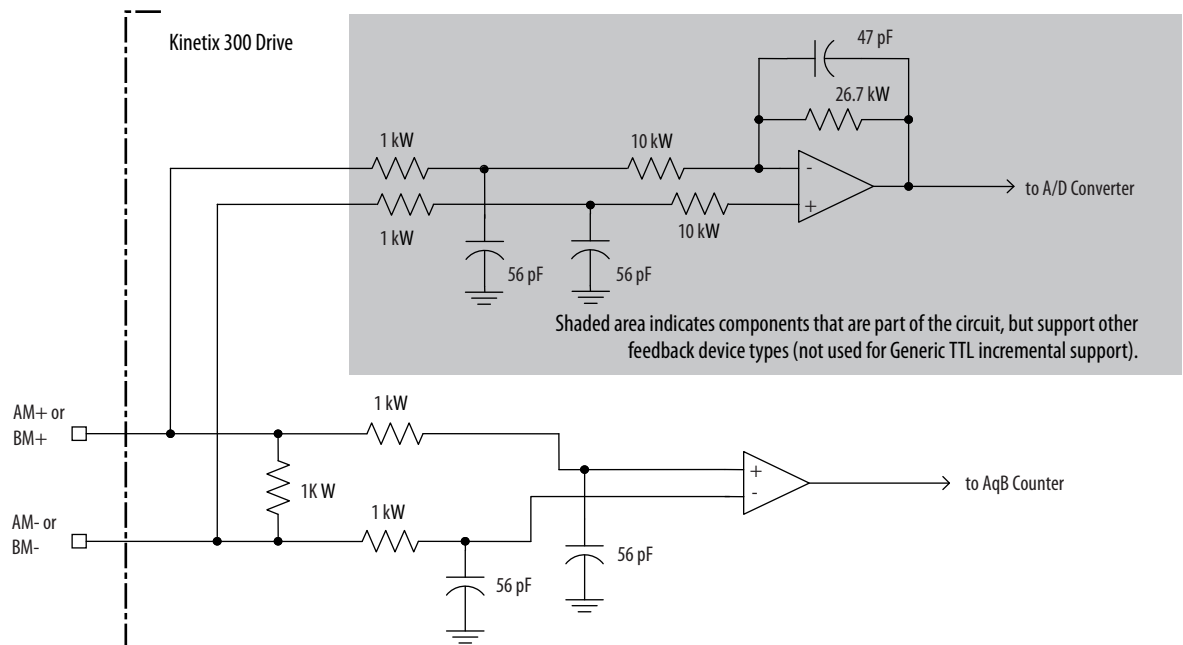
**Figure 27 - SICK-Stegmann Hiperface Interface, DATA Signals**



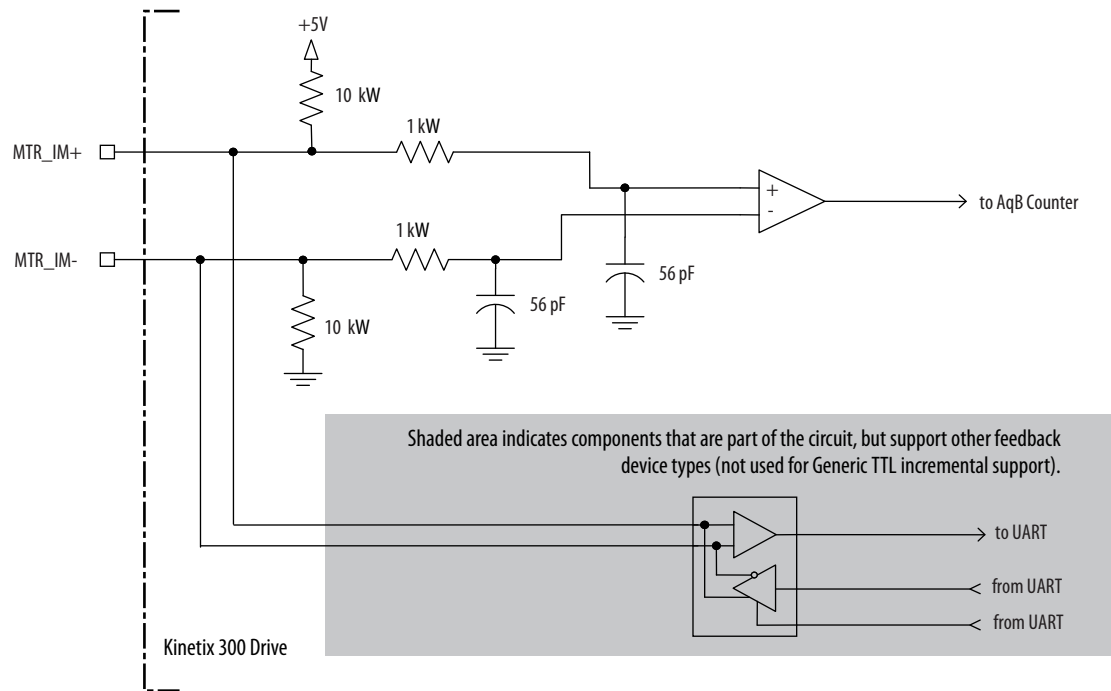
**Table 21 - Generic TTL Incremental Specifications**

Attribute	Value
TTL incremental encoder support	5V, differential A quad B
Quadrature interpolation	4 counts/square wave period
Differential input voltage (AM, BM, and IM)	1.0...7.0V
DC current draw (AM, BM, and IM)	30 mA, max
Input signal frequency (AM, BM, and IM)	5.0 MHz, max
Edge separation (AM and BM)	42 ns min, between any two edges
Line loss detection (AM and BM)	Average $(AM^2 + BM^2) > \text{constant}$
Hall inputs (S1, S2, and S3)	Single-ended, TTL, open collector, or none

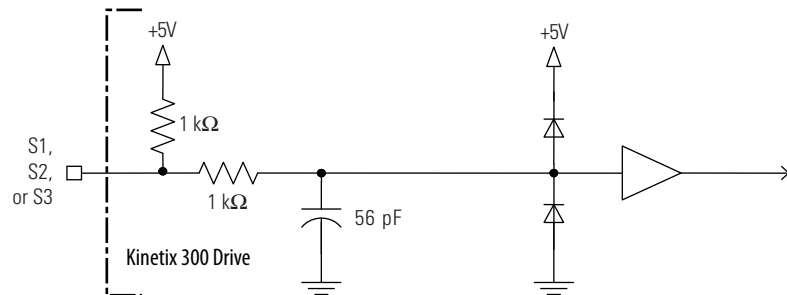
**Figure 28 - Generic TTL Incremental, AM and BM Signals**



**Figure 29 - Generic TTL Interface, IM Signals**



**Figure 30 - Generic TTL Interface, S1, S2, or S3 Signals**



**Table 22 - Tamagawa 17-bit Serial Specifications**

Attribute	Value
Tamagawa model support	TS5669N124
Protocol	Tamagawa proprietary
Memory support	Programmed with Allen-Bradley motor data
Differential input voltage	1.0...7.0V
Data communication	2.5 Mbps, 8 data bits, no parity
Battery	3.6V, located external to drive in low-profile connector kit

See [Figure 27](#) for the Tamagawa 17-bit serial interface schematic. It is identical to the SICK-Stegmann Hiperface (DATA) signals schematic.

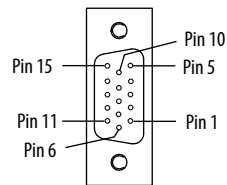
## Feedback Power Supply

The Kinetix 300 drive generates +5V and +9V DC for motor feedback power. Short circuit protection and separate common mode filtering for each channel is included.

**Table 23 - Motor Feedback Power Specifications**

Supply	Reference	Voltage			Current mA	
		Min	Nominal	Max	Min	Max
+5V DC	EPWR_5V	5.13	5.4	5.67	0	400
+9V DC	EPWR_9V	8.3	9.1	9.9	0	275

**Figure 31 - Pin Orientation for 15-pin Motor Feedback (MF) Connector**





## Connecting the Kinetix 300 Drive System

Topic	Page
Basic Wiring Requirements	57
Grounding Your Kinetix 300 Drive System	64
Power Wiring Requirements	65
Wiring Guidelines	68
Wiring the Kinetix 300 Drive Connectors	69
Apply the Motor Cable Shield Clamp	76
Feedback and I/O Cable Connections	77
Wiring the Feedback and I/O Connectors	79
Kinetix 300 Drive (IOD connector and terminal block)	79
Shunt Resistor Connections	81
Ethernet Cable Connections	82

### Basic Wiring Requirements

This section contains basic wiring information for the Kinetix 300 drive.



**ATTENTION:** Plan the installation of your system so that you can perform all cutting, drilling, tapping, and welding with the system removed from the enclosure. Because the system is of the open type construction, be careful to keep any metal debris from falling into it. Metal debris or other foreign matter can become lodged in the circuitry, which can result in damage to components.



**SHOCK HAZARD:** To avoid hazard of electrical shock, perform all mounting and wiring of the Bulletin 2097 drive before applying power. Once power is applied, connector terminals may have voltage present even when not in use.

#### IMPORTANT

This section contains common PWM servo system wiring configurations, size, and practices that can be used in a majority of applications. National Electrical Code, local electrical codes, special operating temperatures, duty cycles, or system configurations take precedence over the values and methods provided.

## Build Your Own Cables

---

**IMPORTANT** Factory-made cables are designed to minimize EMI and are recommended over hand-built cables to optimize system performance.

---

- Connect the cable shield to the connector shells on both ends of the cable with a complete 360° connection.
- Use twisted pair cable whenever possible. Twist differential signals with each other and twist single-ended signals with the appropriate ground return.

See the Kinetix Motion Control Selection Guide, publication [GMC-SG001](#), for low-profile connector kit, drive-end (mating) connector kit, and motor-end connector kit catalog numbers.

## Route Power and Signal Wiring

Be aware that when you route power and signal wiring on a machine or system, radiated noise from nearby relays, transformers, and other electronic drives can be induced into motor or encoder feedback signals, input/output communication, or other sensitive low voltage signals. This can cause system faults and communication anomalies.

See [Electrical Noise Reduction](#) on [page 26](#) for examples of routing high and low voltage cables in wireways. See the System Design for Control of Electrical Noise Reference Manual, publication [GMC-RM001](#), for more information.

## Determine the Input Power Configuration

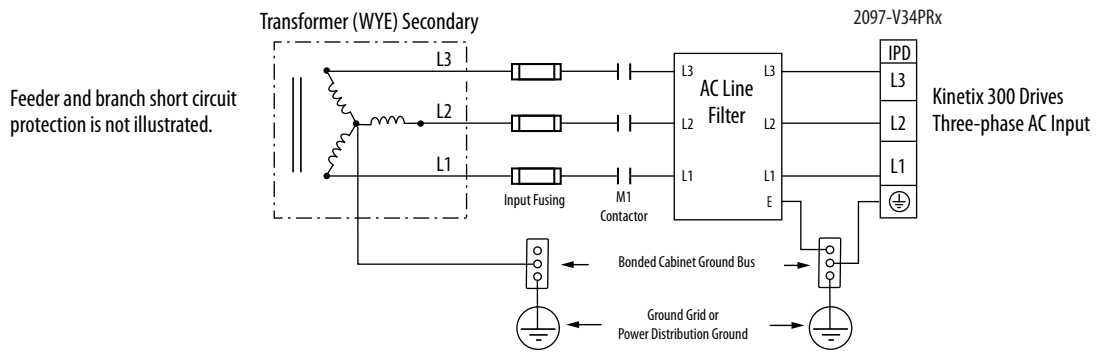
This section contains examples of typical single-phase and three-phase facility input power wired to single-phase and three-phase Kinetix 300 drives.

The grounded power configuration lets you ground your single-phase or three-phase power at a neutral point. Match your secondary to one of the examples and be certain to include the grounded neutral connection.

### Three-phase Power Wired to Three-phase Drives

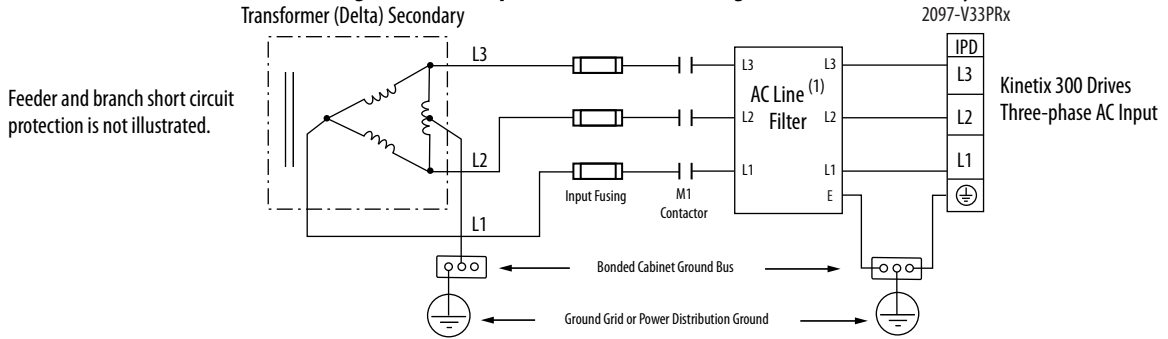
These examples illustrate grounded three-phase power wired to three-phase Kinetix 300 drives when phase-to-phase voltage is within drive specifications.

**Figure 32 - Three-phase (400/480V) Power Configuration (WYE Secondary)**



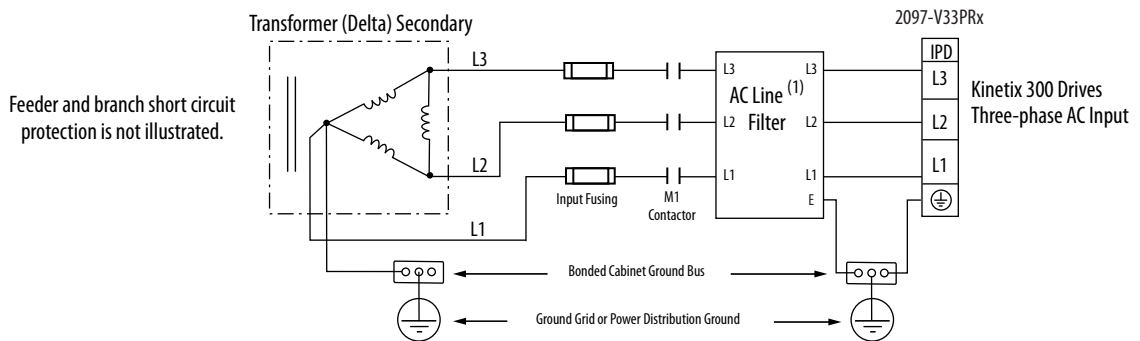
**IMPORTANT** For the 480V Kinetix 300 drives to meet ISO 13849-1 (PLd) spacing requirements, each phase voltage to ground must be less than or equal to 300V AC rms. This means that the power system must use center grounded wye secondary configuration for 400/480V AC mains.

**Figure 33 - Three-phase (240V) Power Configuration (Delta secondary)**



(1) Leakage current from the line filter, in this configuration, typically is higher than a balanced (center ground) configuration.

**Figure 34 - Three-phase (240V) Power Configuration (Delta secondary)**



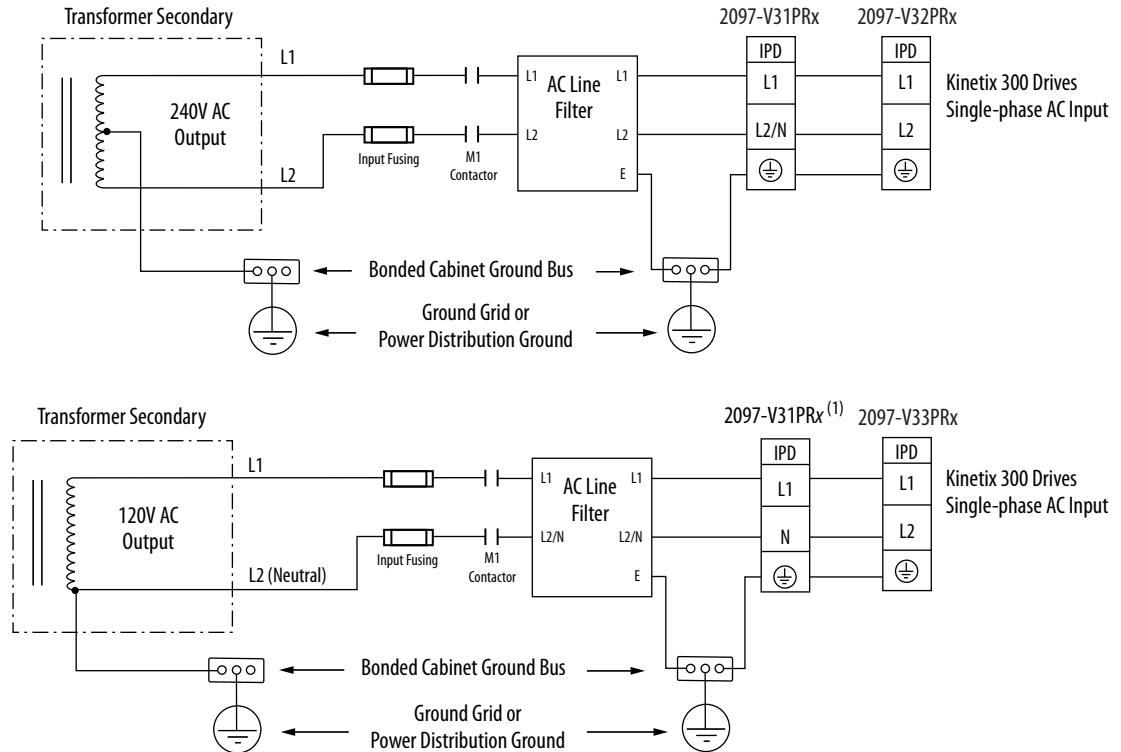
(1) Leakage current from the line filter, in this configuration, typically is higher than a balanced (center ground) configuration.

## Single-phase Power Wired to Single-phase Drives

These examples illustrate grounded single-phase power wired to single-phase Kinetix 300 drives when phase-to-phase voltage is within drive specifications.

**IMPORTANT** The 2097-V32PRx models have integrated AC line filters and do not require the AC line filter shown in this diagram.

**Figure 35 - Single-phase Grounded Power Configurations**



(1) This configuration applies to voltage-doubler operation for 2097-V31PRx drives.

Reducing transformer output reduces motor speed. Feeder and branch short circuit protection is not illustrated.

## Voltage Doubler Operation

You can wire the 2097-V31PRx drives with 120V input power and achieve twice the output voltage at half the output current, while maintaining the same output power. To use the voltage-doubler circuit, connect the 120V single-phase input power to the IPD-L1 and IPD-N terminals.

For Kinetix 300 drive power specifications, see Kinetix Servo Drives Specifications Technical Data, publication [GMC-TD003](#). For Kinetix 300 drive input wiring diagrams, see [Power Wiring Examples on page 173](#).

## Isolation Transformer in Grounded Power Configurations

When using an isolation transformer, attach a chassis ground wire to the neutral connection. This grounded neutral connection does the following:

- Prevents the system from floating and thereby avoids any high voltages that might otherwise occur, for example due to static electricity
- Provides a solid earth path for fault conditions

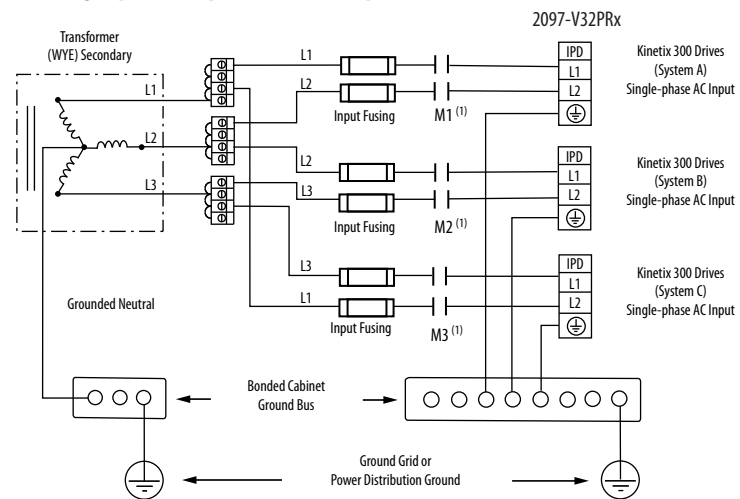


**ATTENTION:** If the supply transformer is an auto transformer (not recommended), a chassis earth ground should not be added. A chassis earth ground should already be included elsewhere in the system and adding another would create a short.

## Three-phase Power Wired to Single-phase Drives

This example illustrates grounded three-phase power wired to single-phase Kinetix 300 drives when phase-to-phase voltage is within drive specifications.

**Figure 36 - Single-phase Amplifiers on Three-phase Power (WYE)**



(1) Contactors (M1, M2, and M3) may be optional. For more information, see Understanding the Machinery Directive, publication [SHB-900](#). AC line filter is optional, but is required for CE compliance.

Feeder short circuit protection is not illustrated.

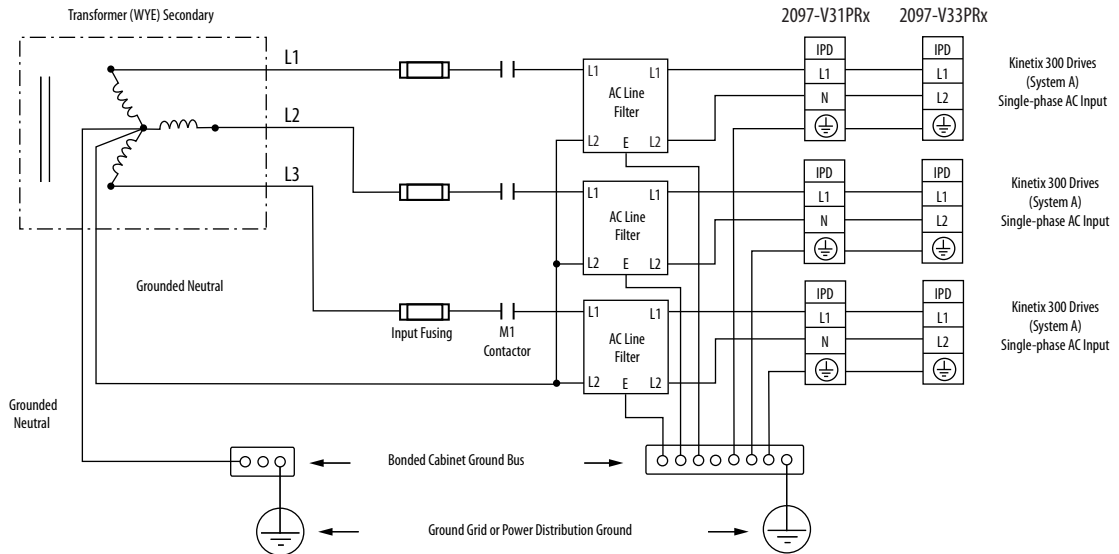
This example illustrates grounded three-phase power wired to single-phase Kinetix 300 drives when phase-to-phase voltage exceeds drive specifications.

A neutral must be connected when single-phase drives are attached to a three-phase isolating transformer secondary. It is not necessary that all three-phases be loaded with drives, but each drive must have its power return via the neutral connection.



**ATTENTION:** Failure to connect the neutral can result in supply voltage swings at the individual drives. This occurs when the neutral point moves vectorially as a result of load variations normally experienced by the individual drives. The supply voltage swing may cause undervoltage and overvoltage trips on the drives, and the drive can be damaged if the overvoltage limit is exceeded.

**Figure 37 - Single-phase Amplifiers (one AC line filter per drive)**



Feeder and branch short circuit protection is not illustrated.

**IMPORTANT** Providing an EMC line filter for each drive is the preferred configuration, and required for CE compliance.

If a three-phase line filter is used to feed multiple single-phase drives (not recommended), it is important that the filter include a neutral connection as shown above. This applies if three-phase is brought directly into the filter and no isolating transformer is present.

## Voiding of CE Compliance

The three-phase and neutral in-line filter applications described above may not be adequate from an EMC aspect for CE compliance. Therefore, EMC validity and CE marking by Rockwell Automation is voided when three-phase and neutral in line filters are used.



**ATTENTION:** The three-phase isolation transformer and neutral in-line filter applications described in this document have not been tested for EMC by Rockwell Automation and products used in such installations are not considered CE marked by Rockwell Automation.

If this three-phase isolation transformer and neutral in-line filter application is used, the responsibility for EMC validation lies with the user and CE marking of the system becomes the user's responsibility.

If CE compliance is a customer requirement, single-phase line filters that have been tested by Rockwell Automation and specified for the product should be used. See Kinetix Servo Drives Specifications Technical Data, publication [GMC-TD003](#) for catalog numbers.

---

## Grounding Your Kinetix 300 Drive System

All equipment and components of a machine or process system should have a common earth ground point connected to their chassis. A grounded system provides a safety ground path for short circuit protection. Grounding your modules and panels minimize shock hazard to personnel and damage to equipment caused by short circuits, transient overvoltages, and accidental connection of energized conductors to the equipment chassis. For CE grounding requirements, see [CE Requirements](#) in [Chapter 1](#).

---

**IMPORTANT** To improve the bond between the Kinetix 300 drive and subpanel, construct your subpanel out of zinc plated (paint-free) steel.

---

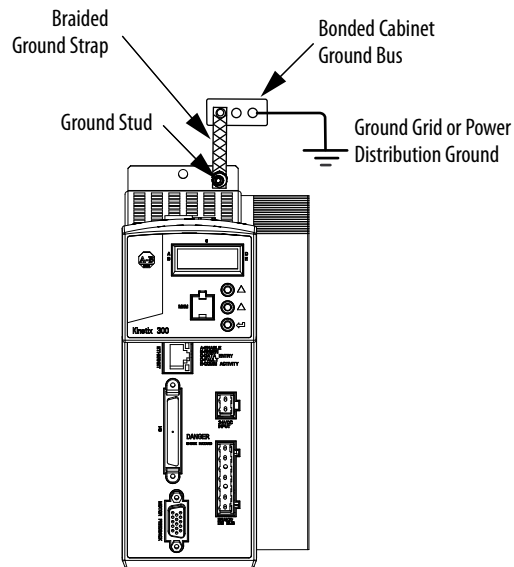
### Ground Your Drive to the System Subpanel



**ATTENTION:** The National Electrical Code contains grounding requirements, conventions, and definitions. Follow all applicable local codes and regulations to safely ground your system. See the illustration below for details on grounding your Kinetix 300 drive. See [Appendix A](#) for the power wiring diagram for your Kinetix 300 drive.

If the Kinetix 300 drive is mounted on a painted subpanel, ground the drive to a bonded cabinet ground bus by using a braided ground strap or 4.0 mm<sup>2</sup> (12 AWG) solid copper wire 100 mm (3.9 in.) long.

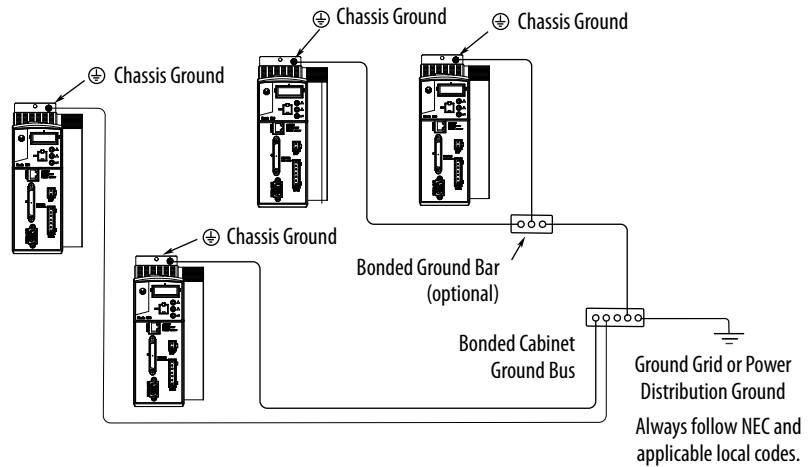
**Figure 38 - Connecting the Braided Ground Strap Example**



For drive dimensions, See Kinetix Servo Drives Specifications Technical Data, publication [GMC-TD003](#).



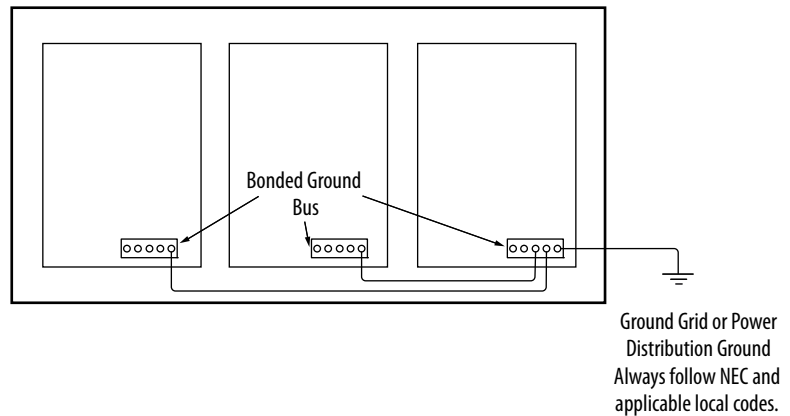
**Figure 39 - Chassis Ground Configuration (multiple Kinetix 300 drives on one panel)**



### Ground Multiple Subpanels

To ground multiple subpanels, see the figure below. HF bonding is not illustrated. For information, see [Bonding Multiple Subpanels](#) on [page 28](#).

**Figure 40 - Subpanels Connected to a Single Ground Point**



### Power Wiring Requirements

Wire should be copper with 75 °C (167 °F) minimum rating. Phasing of main AC power is arbitrary and earth ground connection is required for safe and proper operation.

See [Power Wiring Examples](#) on [page 173](#) for interconnect diagrams.

---

**IMPORTANT** The National Electrical Code and local electrical codes take precedence over the values and methods provided.

---

**Table 24 - Kinetix 300 Drive Power Wiring Requirements**

Cat. No.	Description	Terminals			Recommended Wire Size mm <sup>2</sup> (AWG)	Strip Length mm (in.)	Torque Value N·m (lb·in)				
		Pins	Signals								
2097-V31PR0 2097-V32PR0 2097-V32PR2 2097-V33PR1 2097-V33PR3 2097-V34PR3 2097-V34PR5 2097-V34PR6	Mains input power (IPD connector)		L3 L2 L1 PE <sup>(1)</sup>	L2/N L1 N PE <sup>(2)</sup>	L2 L1 PE <sup>(3)</sup>	2.5 (14)	7 (0.28)	0.5 (4.5)			
2097-V32PR4 2097-V33PR5									4.0 (12)	7 (0.28)	0.5 (4.5)
2097-V31PR2 2097-V33PR6									6.0 (10)	7 (0.28)	0.56...0.79 (5.0...7.0)
2097-V31PR0 2097-V31PR2 2097-V32PR0 2097-V32PR2 2097-V32PR4 2097-V33PR1 2097-V33PR3 2097-V33PR5 2097-V34PR3 2097-V34PR5 2097-V34PR6	Motor power (MP connector)		PE W V U			2.5 (14)	7 (0.28)	0.5 (4.5)			
2097-V33PR6									4.0 (12)	7 (0.28)	0.5 (4.5)
2097-V31PR0 2097-V31PR2 2097-V32PR0 2097-V32PR2 2097-V32PR4 2097-V33PR1 2097-V33PR3 2097-V33PR5 2097-V34PR3 2097-V34PR5 2097-V34PR6	Shunt /DC Bus <sup>(4)</sup> (BC connector)		+ + SH - -			2.5 (14)	7 (0.28)	0.5 (4.5)			
2097-V33PR6									4.0 (12)	7 (0.28)	0.5 (4.5)
2097-V3xPRx	Control back-up power (BP connector)		+24V DC -24V DC								
2097-V3xPRx	Safe torque-off (STO connector)	STO-1 <sup>(5)</sup> STO-2 <sup>(5)</sup> STO-3 STO-4 STO-5 STO-6	+24V DC Control Control COM Safety Status Safety Input 1 Safety COM Safety Input 2			1.5 (16)	6 (0.25)	0.5 (4.5)			

- (1) Applies to 2097-V33PRx, and 2097-V34PRx drive modules.
- (2) Applies to 2097-V31PRx drive modules.
- (3) Applies to 2097-V32PRx drive modules.
- (4) Use for shunt resistor connection only.
- (5) Use for bypassing the STO circuit only.



**ATTENTION:** To avoid personal injury and/or equipment damage, make sure installation complies with specifications regarding wire types, conductor sizes, branch circuit protection, and disconnect devices. The National Electrical Code (NEC) and local codes outline provisions for safely installing electrical equipment.

To avoid personal injury and/or equipment damage, make sure motor power connectors are used for connection purposes only. Do not use them to turn the unit on and off.

To avoid personal injury and/or equipment damage, make sure shielded power cables are grounded to prevent potentially high voltages on the shield.

**Table 25 - Shunt Resistor Power Wiring Requirements**

Accessory	Description	Connects to Terminals	Recommended Wire Size mm <sup>2</sup> (AWG)	Torque Value N·m (lb·in)
2097-Rx	Shunt Resistor	+	2.5 (14)	0.5 (4.5)
		SH		

## Wiring Guidelines

Use these guidelines as a reference when wiring the connectors on your Kinetix 300 drive power modules.

---

**IMPORTANT** For connector locations of the Kinetix 300 drives, see [Kinetix 300 Drive Connectors and Indicators](#) on [page 36](#).  
When tightening screws to secure the wires, see the tables beginning on [page 65](#) for torque values.  
When removing insulation from wires, see the tables beginning on [page 65](#) for strip lengths.

---

**IMPORTANT** To improve system performance, run wires and cables in the wireways as established in [Establishing Noise Zones](#) on [page 29](#).

---

Follow these steps when wiring the connectors on your Kinetix 300 drive modules.

1. Prepare the wires for attachment to each connector plug by removing insulation equal to the recommended strip length.

---

**IMPORTANT** Use caution not to nick, cut, or otherwise damage strands as you remove the insulation.

---

2. Route the cable/wires to your Kinetix 300 drive.
3. Insert wires into connector plugs.  
See connector pinout tables in [Chapter 3](#) or the interconnect diagrams in [Appendix A](#).
4. Tighten the connector screws.
5. Gently pull on each wire to make sure it does not come out of its terminal; reinsert and tighten any loose wires.
6. Insert the connector plug into the module connector.

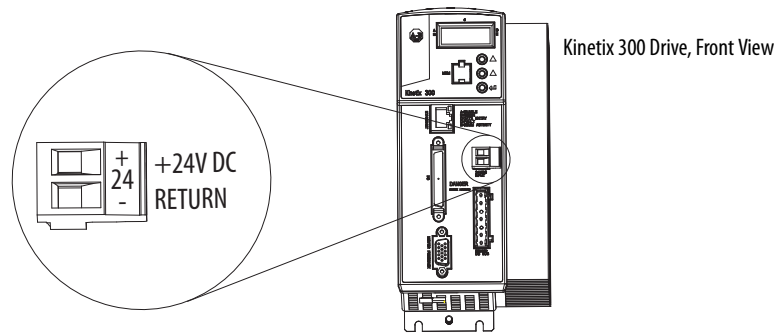
## Wiring the Kinetix 300 Drive Connectors

This section provides examples and wiring tables to assist you in making connections to the Kinetix 300 drive.

### Wire the Safe Torque-off (STO) Connector

For the safe torque-off (STO) connector pinouts, feature descriptions, and wiring information, see Chapter 8 on [page 159](#).

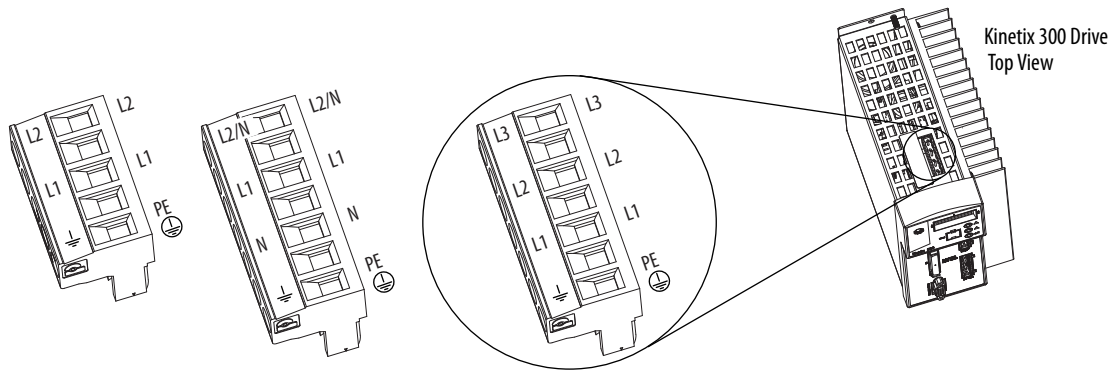
### Wire the Back-up Power (BP) Connector



**Table 26 - Back-up Power (BP) Connector**

Drive Cat. No.	Terminals	Recommended Wire Size mm <sup>2</sup> (AWG)	Strip Length mm (in.)	Torque Value N·m (lb·in)
2097-V3xPRx	+24V DC	1.5 (16)	6 (0.25)	0.5 (4.5)
	-24V DC			

### Wire the Input Power (IPD) Connector



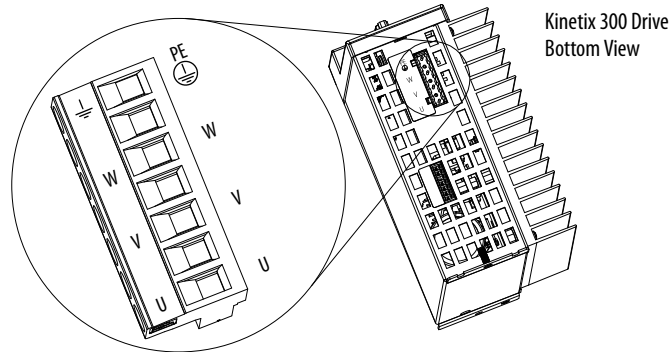
**Table 27 - Input Power (IPD) Connector**

Drive Cat. No.	Terminals			Recommended Wire Size mm <sup>2</sup> (AWG)	Strip Length mm (in.)	Torque Value N·m (lb·in)
2097-V31PRO 2097-V32PRO 2097-V32PR2 2097-V33PR1 2097-V33PR3 2097-V34PR3 2097-V34PR5 2097-V34PR6	L3 L2 L1 PE (1)	L2/N L1 N PE (2)	L2 L1 PE (3)	2.5 (14)	7 (0.28)	0.5 (4.5)
2097-V32PR4 2097-V33PR5				4.0 (12)	7 (0.28)	0.5 (4.5)
2097-V31PR2 2097-V33PR6				6.0 (10)	7 (0.28)	0.56...0.79 (5.0...7.0)

- (1) Applies to 2097-V33PRx, and 2097-V34PRx drive modules.
- (2) Applies to 2097-V31PRx drive modules.
- (3) Applies to 2097-V32PRx drive modules.

## Wire the Motor Power (MP) Connector

Connections to the motor power (MP) connector include rotary motors, and rotary motor driven actuators.



**Table 28 - Motor Power (MP) Termination Specifications**

Drive Cat. No.	Terminals	Recommended Wire Size mm <sup>2</sup> (AWG)	Strip Length mm (in.)	Torque Value N·m (lb·in)
2097-V31PRO 2097-V31PR2 2097-V32PRO 2097-V32PR2 2097-V32PR4 2097-V33PR1 2097-V33PR3 2097-V33PR5 2097-V34PR3 2097-V34PR5 2097-V34PR6	PE W V U	2.5 (14)	7 (0.28)	0.5 (4.5)
2097-V33PR6		4.0 (12)		

### Cable Shield Terminations

Factory-supplied motor power cables for MP-Series and TL-Series motors and actuator are shielded. The braided cable shield must terminate near the drive during installation. Remove small portion of the cable jacket to expose the shield braid and clamp the exposed shield to the panel.



**ATTENTION:** To avoid hazard of electrical shock, ensure shielded power cables are grounded at a minimum of one point for safety.

### IMPORTANT

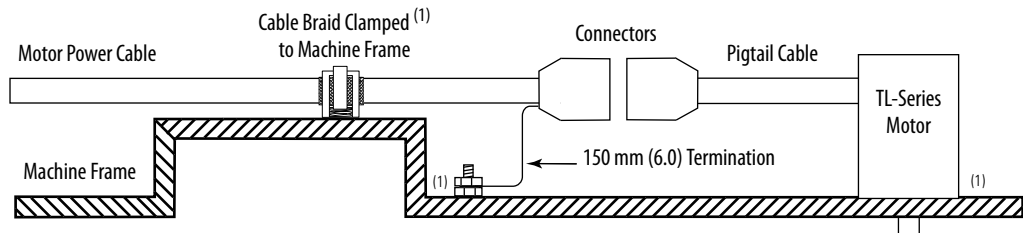
For TL-Series motors, also connect the 152 mm (6.0 in.) termination wire to the closest earth ground.

See [Pigtail Terminations](#) on [page 72](#) for more information.

### Pigtail Terminations

TL-Series motors have a short pigtail cable that connects to the motor, but is not shielded. The preferred method for grounding the TL-Series power cable on the motor side is to expose a section of the cable shield and clamp it directly to the machine frame. The motor power cable also has a 150 mm (6.0 in.) shield termination wire with a ring lug that connects to the closest earth ground. Use this method in addition to the cable clamp. The termination wire may be extended to the full length of the motor pigtail if necessary, but it is best to connect the supplied wire directly to ground without lengthening.

**Figure 41 - Pigtail Terminations**



(1) Remove paint from machine frame to be sure of proper HF-bond between machine frame and motor case, shield clamp, and ground stud.

**Table 29 - Motor Power Cable Compatibility**

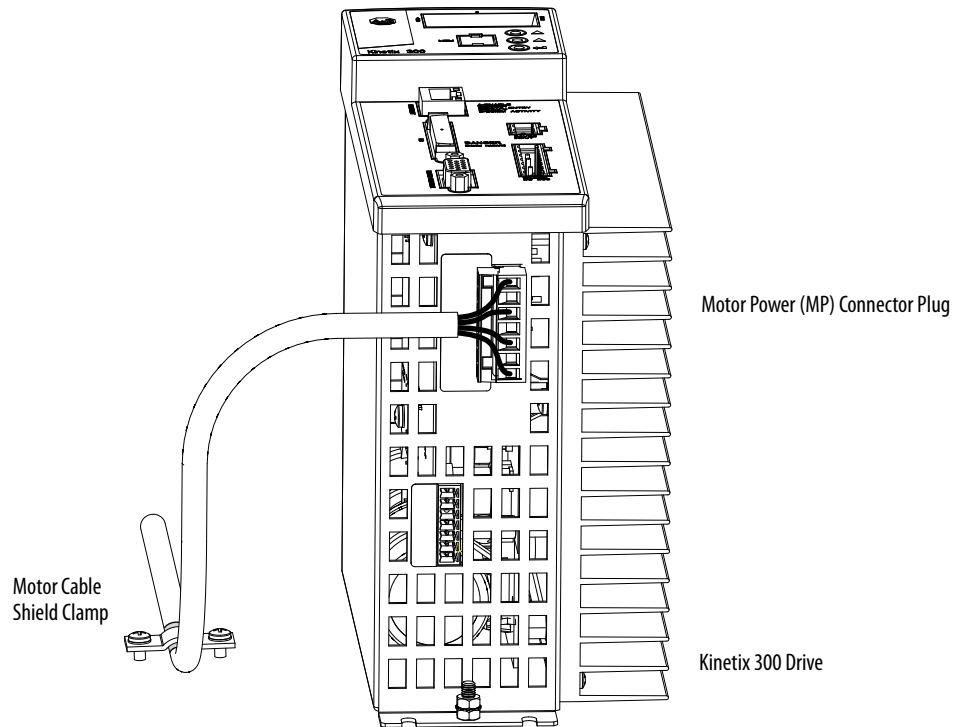
Motor/Actuator	Connector Type	Motor/Actuator Cat. No.	Motor Power Cables (with brake wires)	Motor Power Cables (without brake wires)
MP-Series (Bulletin MPL)	Circular (Threaded) DIN	MPL-A/B15xxx-4xAA and MPL-A/B2xxx-4xAA	2090-XXNPMF-xxSxx (standard) or 2090-CPBM4DF-xxAFxx (continuous-flex)	2090-CPWM4DF-xxAFxx (continuous-flex)
MP-Series (Bulletin MPS)		MPS-A/Bxxxx		
MP-Series (Bulletin MPAS)		MPAS-A/Bxxxx		
MP-Series (Bulletin MPAR)		MPAR-A/B1,xxx and MPAR-A/B2xxx (Series A)		
MP-Series (Bulletin MPL)	Circular (Speedtec) DIN	MPL-A/B15xxx-7xAA, MPL-A/B2xxx-7xAA, MPL-A/B3xxx-7xAA, MPL-A/B4xxx-7xAA, and MPL-A/B45xxx-7xAA	2090-CPBM7DF-xxAAxx (standard) or 2090-CPBM7DF-xxAFxx (continuous-flex)	2090-CPWM7DF-xxAAxx (standard) or 2090-CPWM7DF-xxAFxx (continuous-flex)
MP-Series (Bulletin MPM)		MPM-A/Bxxxx		
MP-Series (Bulletin MPF)		MPF-A/Bxxxx		
MP-Series (Bulletin MPAR)		MPAR-A/B3,xxx, MPAR-A/B1xxx and MPAR-A/B2xxx (series B)		
MP-Series (Bulletin MPAI)		MPAI-A/B3,xxx		
LDC-Series		LDC-Cxxxx		
LDL-Series		LDL-xxxxxxx		
LDAT-Series		LDAT-Sxxxxxxx		
TL-Series (Bulletin TLY)	Circular Plastic	TLY-Axxxx	2090-CPBM6DF-16AAxx (standard)	2090-CPWM6DF-16AAxx (standard)
TL-Series (Bulletin TLAR)		TLAR-Axxxx		



This diagram shows an example of three-phase power wires for motors/actuators that have no brakes. Thermal switch wires are included in the feedback cable.

See [Kinetix 300 Drive/Rotary Motor Wiring Examples](#) beginning on [page 176](#) for interconnect diagrams.

**Figure 42 - Motor Power Terminations (three-phase wires only)**

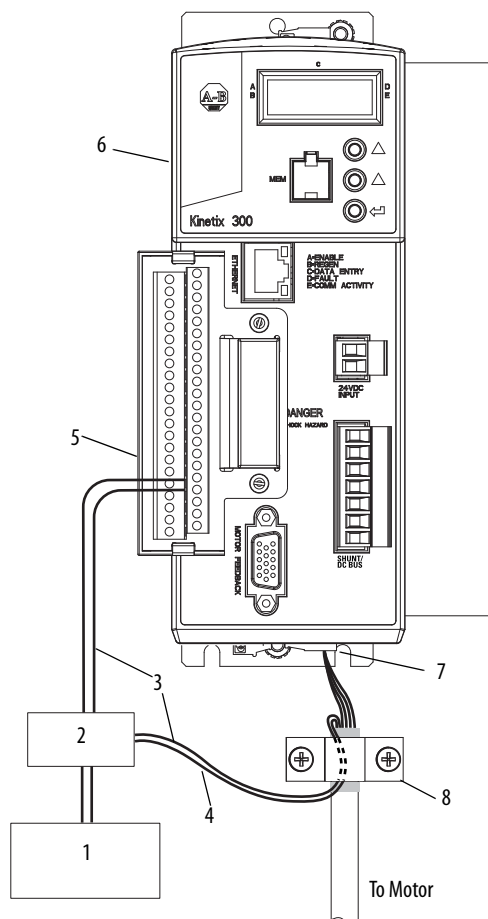


The cable shield clamp shown above is mounted to the subpanel. Ground and secure the motor power cable in your system following instructions on [page 76](#).

This diagram shows an example of wiring with three-phase power wires and brake wires. The brake wires have a shield braid (shown below as gray) that folds back under the cable clamp before the conductors are attached to the motor brake circuit. Thermal switch wires are included in the feedback cable.

See [Kinetix 300 Drive/Rotary Motor Wiring Examples](#) beginning on [page 176](#) for interconnect diagrams.

**Figure 43 - Motor Power Terminations (three-phase and brake wires)**



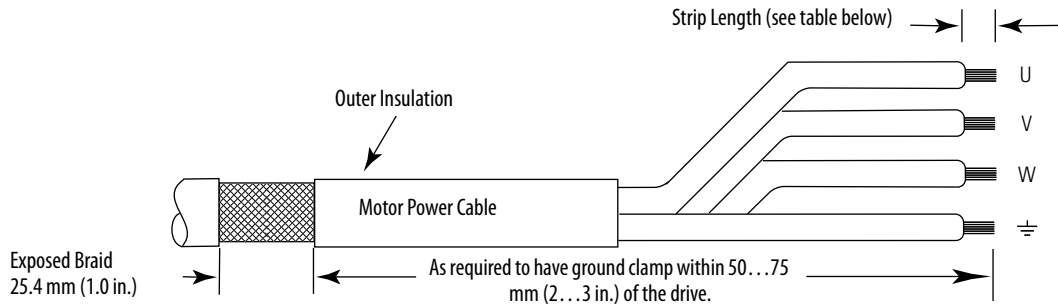
Item	Description
1 <sup>(1)</sup>	24V power supply
2 <sup>(1)</sup>	Relay and diode assembly <sup>(3)</sup>
3	Minimize unshielded wires in brake circuit
4	MP-Series cable brake wires

Item	Description
5	I/O (IOD) connector <sup>(2)</sup>
6	2097-V3xPRx Kinetix 300 drive
7	Motor power (MP) connector
8	Cable clamp <sup>(4)</sup>

- (1) User supplied. Size as required by motor brake, See [Motor Brake Currents](#) on [page 185](#).
- (2) Configure one emitter and collector pair from the Digital Outputs, OUT-1...OUT-4, pins 43...50, as Brake+ and Brake - by using MotionView software. Wire the output as sourcing and set brake engage and disengage times for motor selected. Motor brake is active on enable. For Digital Output specifications, see [page 45](#).
- (3) Diode 1N4004 rated 1.0 A @ 400V DC. See [Interconnect Diagram Notes](#) beginning on [page 176](#).
- (4) Exposed shield under clamp and place within 50...75 mm (2...3 in.) of drive, see [page 76](#) for details.

Cable shield and lead preparation is provided with most Allen-Bradley cable assemblies. Follow these guidelines if your motor power cable shield and wires require preparation.

**Figure 44 - Cable Shield and Lead Preparation**



See [Shunt Resistor Wiring Example](#) beginning on [page 176](#) for interconnect diagrams.

**Table 30 - Motor Power (MP) Connector**

MP-Series or TL-Series Servo Motor	Terminal
U / Brown	U
V / Black	V
W / Blue	W
⊥ Green/Yellow	⊥

**Table 31 - Motor Power (MP) Termination Specifications**

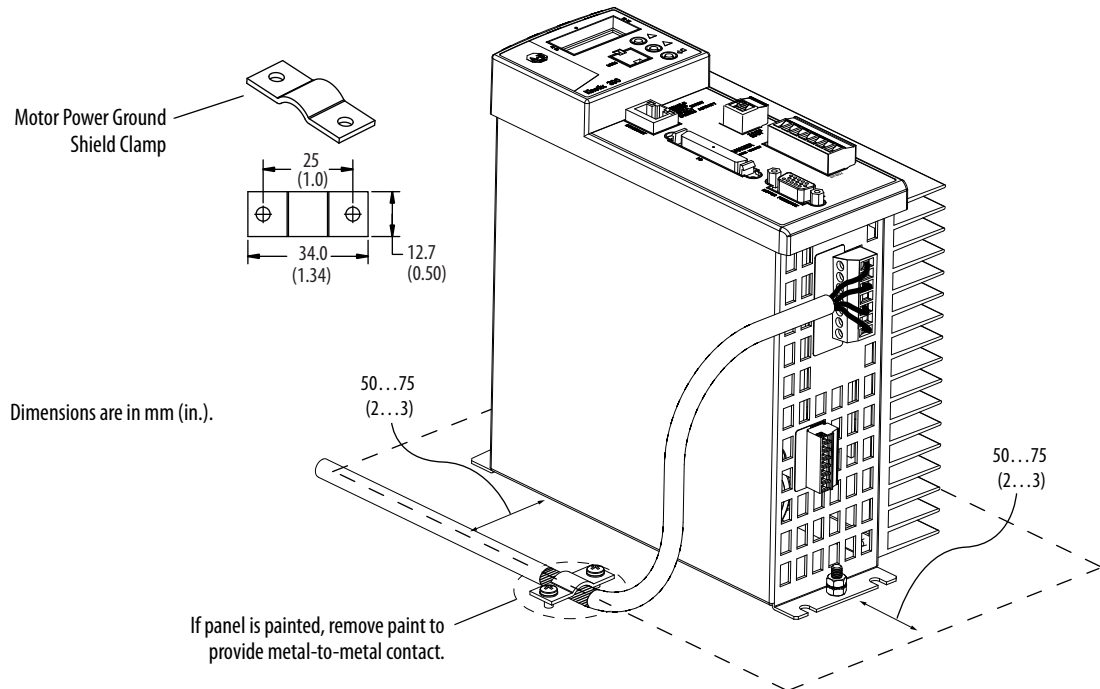
Drive Cat. No.	Terminals	Recommended Wire Size mm <sup>2</sup> (AWG)	Strip Length mm (in.)	Torque Value N·m (lb·in)
2097-V31PR0 2097-V31PR2 2097-V32PR0 2097-V32PR2 2097-V32PR4 2097-V33PR1 2097-V33PR3 2097-V33PR5 2097-V34PR3 2097-V34PR5 2097-V34PR6	PE W V U	2.5 (14)	7 (0.28)	0.5 (4.5)
2097-V33PR6		4.0 (12)		

## Apply the Motor Cable Shield Clamp

This procedure assumes you have completed wiring your motor power (MP) connector and are ready to apply the cable shield clamp.

Follow these steps to apply the motor cable shield clamp.

1. Locate a suitable position for installing cable shield clamp within 50...75 mm (2...3 in.) of the drive.



2. Lay out and drill holes for cable clamp.



**ATTENTION:** Plan the installation of your system so that you can perform all cutting, drilling, tapping, and welding with the system removed from the enclosure. Because the system is of the open type construction, be careful to keep any metal debris from falling into it. Metal debris or other foreign matter can become lodged in the circuitry, which can result in damage to components.

3. Locate the position on the motor power cable that comes under the clamp and remove about an inch of the cable jacket to expose the shield braid.
4. Position the exposed portion of the cable braid directly in line with the clamp.
5. Clamp the exposed shield to the panel by using the clamp and 2 #6-32 x 1 screws provided.
6. Repeat [step 1](#)...[step 5](#) for each Kinetix 300 drive you are installing.

## Feedback and I/O Cable Connections

Factory made cables with premolded connectors are designed to minimize EMI and are recommended over hand-built cables to improve system performance. However, other options are available for building your own feedback and I/O cables.

**Table 32 - Options for Connecting Motor Feedback and I/O**

Connection Option	Cat. No.	Cable	Using This Type of Cable
Premolded connectors	N/A	Motor feedback	See the table below for the premolded motor feedback cable available for your motor.
Low-profile connector	2090-K2CK-D15M	Motor feedback	See the table below for the flying-lead cable available for your motor.
I/O Terminal Block	2097-TB1	I/O interface for Master Gearing mode	User-supplied flying-lead cable.

**Table 33 - Motor Feedback Cables for Specific Motor/Feedback Combinations**

Motor Cat. No.	Connector Type	Feedback Type	Feedback Cable		Pinout
			Premolded	Flying-lead	
MPL-A/B15xxx-Hx4xAA, MPL-A/B2xxx-Hx4xAA	Circular (threaded) DIN	Incremental encoder	N/A	2090-XXNFMF-Sxx (standard) 2090-CFBM4DF-CDAFxx (continuous-flex)	<a href="#">page 78</a>
MPL-A/B15xxx-V/Ex4xAA, MPL-A/B2xxx-V/Ex4xAA					
MPAR-A/B3xxxx MPAR-A/B1xxxx and MPAR-A/B2xxxx (series A)					
MPAI-A/Bxxxx					
MPS-A/Bxxxx-M/S					
MPAS-A/Bxxxx-V/A					
MPL-A/B15xxx-V/Ex7xAA, MPL-A/B2xxx-V/Ex7xAA	Circular (Speedtec) DIN	Incremental encoder	N/A	2090-XXNFMF-Sxx (standard) 2090-CFBM7DF-CDAFxx (continuous-flex)	<a href="#">page 78</a>
MPL-A/B15xxx-Hx7xAA, MPL-A/B2xxx-Hx7xAA					
MPL-A/B3xxx-Hx7xAA, MPL-A/B4xxx-Hx7xAA, MPL-A/B45xxx-Hx7xAA LDAT-SxxxxxxBx					
MPL-A/B3xxx-M/Sx7xAA, MPL-A/B4xxx-M/Sx7xAA, MPL-A/B45xxx-M/Sx7xAA					
MPM-A/Bxxxx-M/S					
MPF-A/Bxxxx-M/S					
MPAR-A/B1xxxx and MPAR-A/B2xxxx (series B)	Circular Plastic	High-resolution encoder	2090-CFBM6DD-CCAxx	2090-CFBM7DF-CEAxx or 2090-CFBM7DD-CEAxx (standard, non-flex)  2090-CFBM7DF-CEAFxx 2090-CFBM7DD-CEAFxx (continuous-flex)	<a href="#">page 78</a>
LDAT-Sxxxxxx-xDx		Absolute Linear Encoder Feedback			
TLY-Axxxx-B	Circular Plastic	High-resolution encoder	2090-CFBM6DD-CCAxx	2090-CFBM6DF-CBAxx (standard)	<a href="#">page 78</a>
TLAR-Axxxx		Incremental encoder			
TLY-Axxxx-H		Incremental encoder			

## Flying-lead Feedback Cable Pin-outs

**Table 34 - 2090-XXNFMF-Sxx or 2090-CFBMxDF-CDAFxx Feedback Cable**

Connector Pin	High-resolution Feedback		Incremental Feedback	Drive MF Connector Pin
	9V Encoder	5V Encoder	5V Encoder	
1	Sin+	Sin+	AM+	1
2	Sin-	Sin-	AM-	2
3	Cos+	Cos+	BM+	3
4	Cos-	Cos-	BM-	4
5	Data+	Data+	IM+	5
6	Data-	Data-	IM-	10
9	Reserved	EPWR_5V	EPWR_5V	14
10	Reserved	ECOM	ECOM	6
11	EPWR_9V	Reserved	Reserved	7
12	ECOM	Reserved	Reserved	6
13	TS+	TS+	TS+	11
14	TS-	TS-	TS-	–
15	Reserved	Reserved	S1	12
16	Reserved	Reserved	S2	13
17	Reserved	Reserved	S3	8

**Table 35 - 2090-CFBM6DF-CBAAx Feedback Cable**

Connector Pin	High Resolution	Incremental Feedback	Drive MF Connector Pin
	TLY-Axxxx-B TLAR-Axxxx	TLY-Axxxx-H	
6	BAT+	Reserved	BAT+
9	Reserved	AM+	1
10		AM-	2
11		BM+	3
12		BM-	4
13	DATA+	IM+	5
14	DATA-	IM-	10
15	Reserved	S1	12
17		S2	13
19		S3	8
22	EPWR 5V	EPWR 5V	14
23	ECOM and BAT-	ECOM	6
24	Shield	Shield	Connector housing

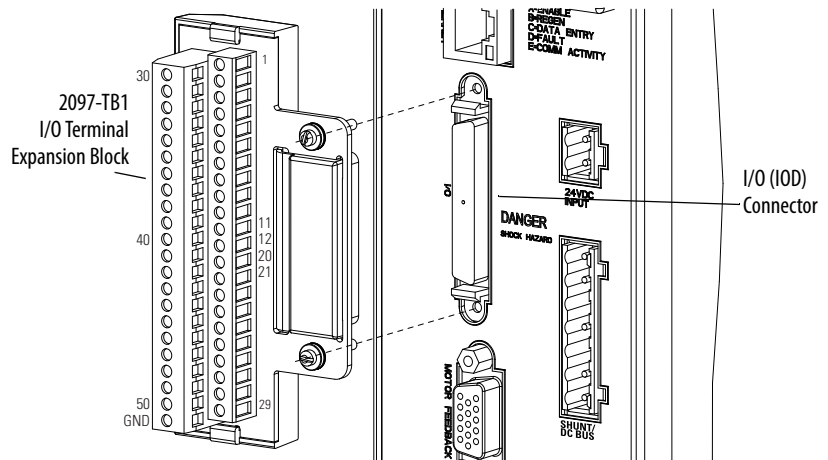
## Wiring the Feedback and I/O Connectors

These procedures assume you have mounted your Kinetix 300 system, completed the power wiring, and are ready to connect motor feedback.

### Wire the I/O Connector

Connect your I/O wires to the IOD connector by using the 2097-TB1 I/O Terminal Expansion Block. See the Kinetix 300 I/O Terminal Expansion Block Installation Instructions, publication [2097-IN005](#).

**Figure 45 - Kinetix 300 Drive (IOD connector and terminal block)**

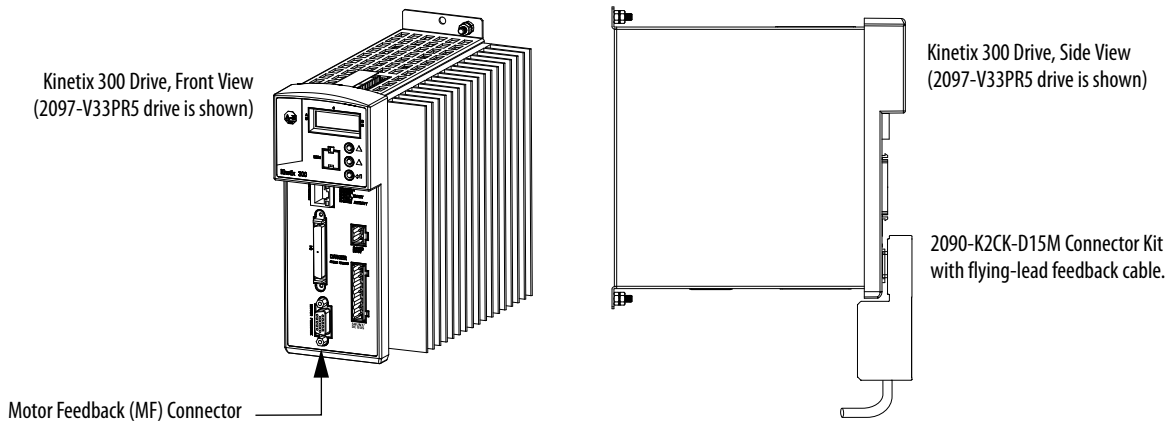


## Wire the Low-profile Connector Kit

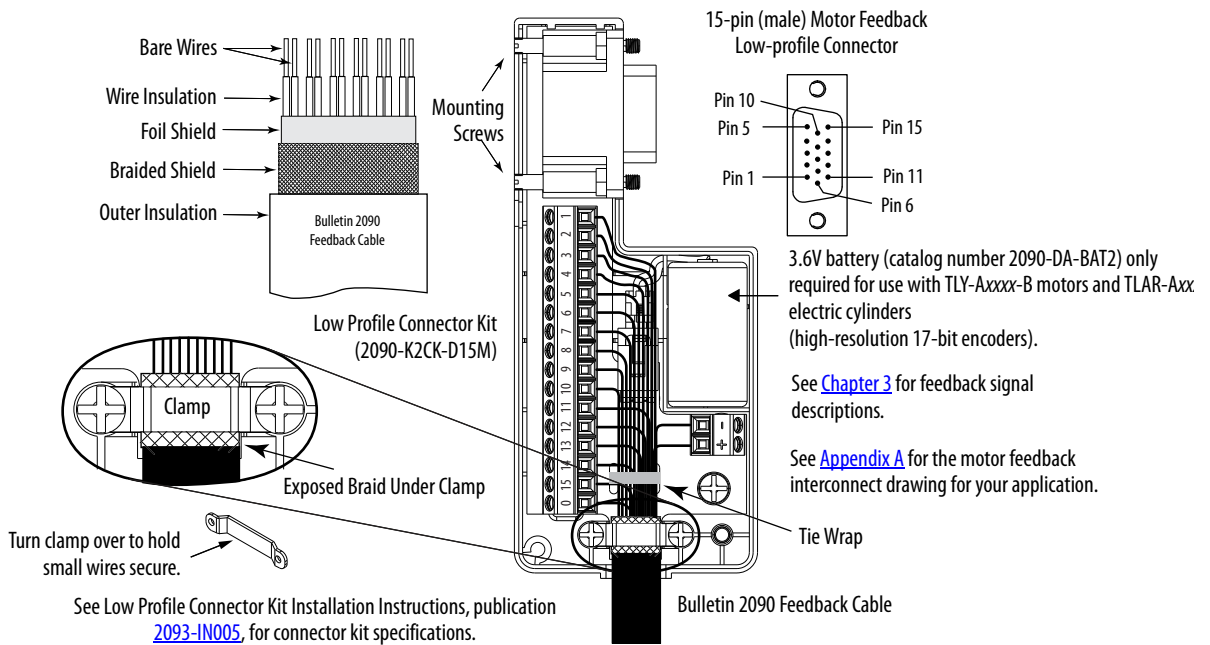
The 2090-K2CK-D15M low-profile connector kit is suitable for terminating flying-lead motor feedback cables. Use it with the Kinetix 300 drive and all motors with incremental or high-resolution feedback. It has a 15-pin, male, D-sub connector and is compatible with all Bulletin 2090 feedback cables.

TLY-Axxxx-B rotary motors and TLAR-Axxxx electric cylinders also require the 2090-DA-BAT2 battery to back up the high-resolution encoder.

**Figure 46 - Kinetix 300 Drive (MF connector)**



**Figure 47 - Wiring (15-pin) Flying-lead Feedback Cable Connections  
2090-K2CK-D15M Connector Kit**





## Shunt Resistor Connections

Follow these guidelines when wiring your 2097-Rx shunt resistor.

---

**IMPORTANT** When tightening screws to secure the wires, see the tables beginning on [page 65](#) for torque values.

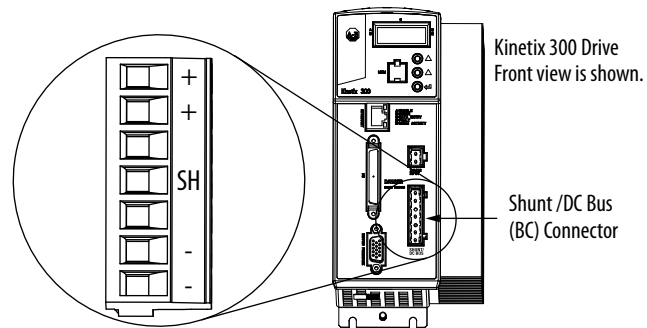
---

**IMPORTANT** To improve system performance, run wires and cables in the wireways as established in [Chapter 2](#).

---

- See [Shunt Resistors](#) on [page 32](#) for noise zone considerations.
- See [Shunt Resistor Wiring Example](#) on [page 175](#).
- See the installation instructions provided with your Bulletin 2097 shunt resistor, publication [2097-IN002](#).

**Figure 48 - Shunt/DC Bus (BC) Connector**



## Ethernet Cable Connections

This procedure assumes you have your Logix Ethernet/IP module and Kinetix 300 drive mounted and ready to connect the network cables.

The EtherNet/IP network is connected by using the Port 1 connector. See [page 36](#) to locate the Ethernet connector on your Kinetix 300 drive. See the figure below to locate the connector on your Logix communication module.

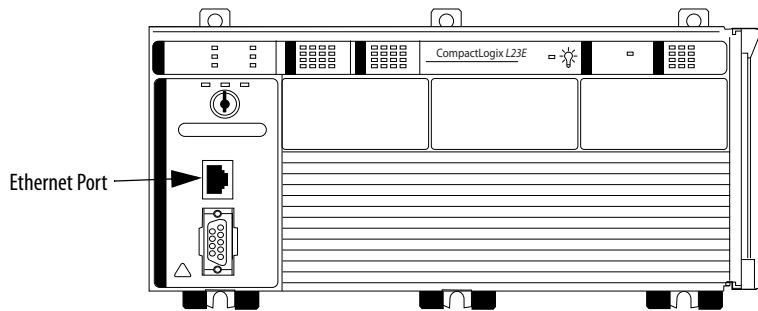
Shielded Ethernet cable is available in lengths up to 78 m (256 ft). However, the total length of Ethernet cable connecting drive-to-drive, drive-to-controller, or drive-to-switch must not exceed 100 m (328 ft).

If the entire channel is constructed of stranded cable (no fixed cable), then this is the equation for calculating maximum length:

Maximum Length =  $(113-2N)/y$ , meters  
 where N = the number of connections in the channel  
 and y = the loss factor compared to fixed cable (typically 1.2...1.5).

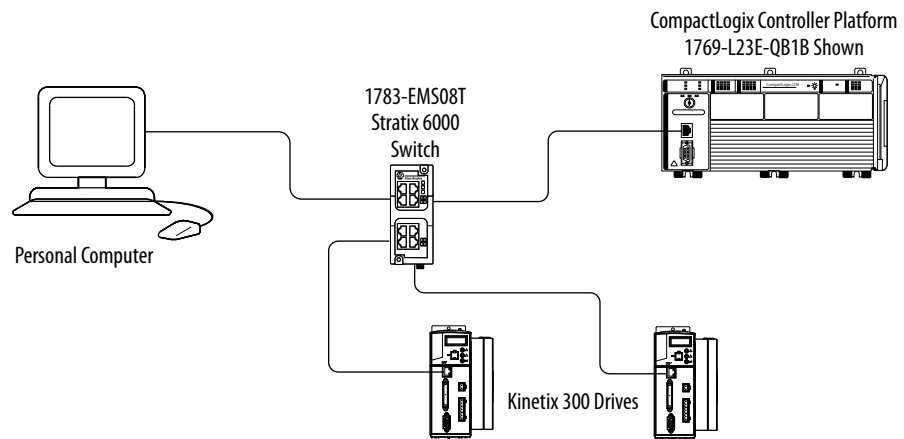
**Figure 49 - CompactLogix Ethernet Port Location**

CompactLogix Controller Platform  
 1769-L23E-QB1B Shown



The Port 1 Ethernet connection is used for connecting to a web browser and configuring your Logix module.

**Figure 50 - Ethernet Wiring Example - External Switch**



---

## MotionView Software Configuration

<b>Topic</b>	<b>Page</b>
Drive Organizer and Identification	84
Motor Category	84
General Category	87
Communication Categories	91
Input/Output Categories	93
Limits Categories	95
Dynamics Category	97
Tools Category	98
Monitor Category	99
Faults Category	100
Indexing Category	101
Homing Category	113
Upgrade Firmware	124

## Drive Organizer and Identification

On the left side of MotionView software is the Drive Organizer. The Drive Organizer displays the node address for the drives that are currently connected to the software and lists the categories for each drive under the drive node address. This section contains a description of the parameters displayed in each category listed in the Drive Organizer.

Drive Identification displays the drive IP address and status. The dialog box displays drive identification information such as catalog number and firmware revision. In this window, you can assign the Drive Name and the Group ID.

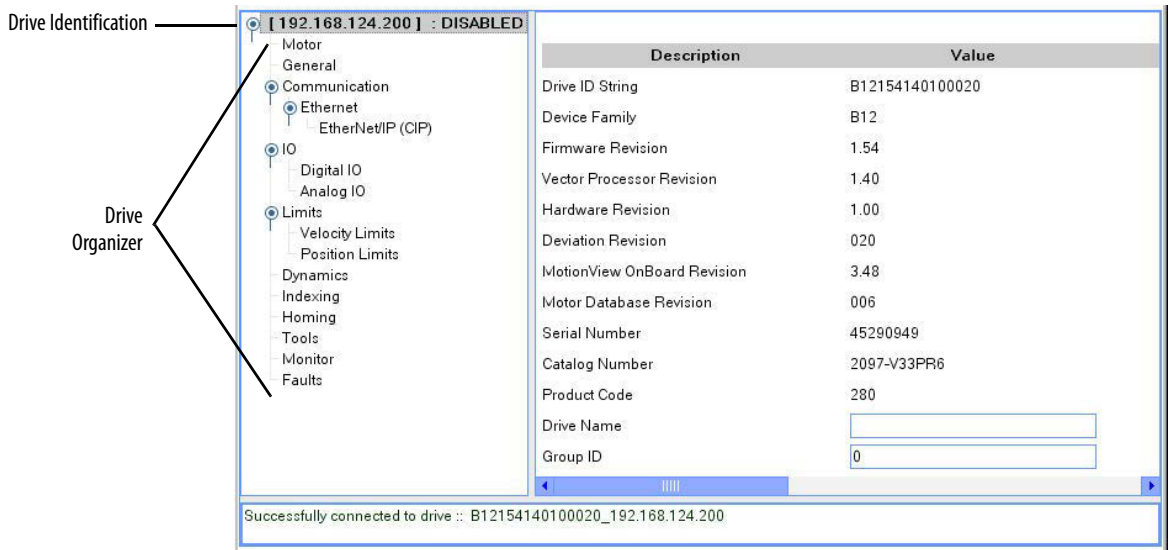
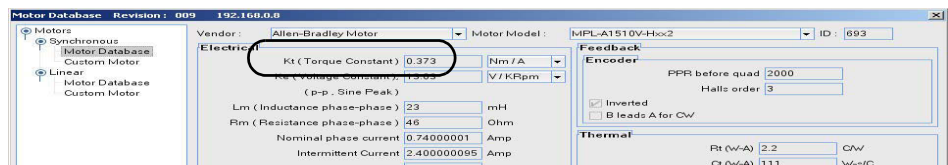


Table 36 - Drive Identification Category

ID	Parameter Name	Description	Value/Notes
1	Drive ID String	Drive identification string	B12 154 140 100 020 Device Family    Firmware Revision    Vector Processor Revision    Hardware Revision    Deviation Revision
2	Drive Name	Drive symbolic name	Up to 20 user-defined characters
3	Serial Number	Drive serial number	Unique number assigned to drive at the factory
57	Group ID	Network group ID. Allows the assignment of different drives into logical groups.	Range: 1...32767
N/A	Motor Database Revision	The motor database resides in the drive firmware.	006 in this example

## Motor Category

Allen-Bradley motors and actuators with intelligent feedback devices are automatically populated into the motor configuration. In this example, no motor is attached to the drive.



## Synchronous Motor Database

For Allen-Bradley synchronous motors and actuators with incremental encoders, click Change Motor and choose the device from the Synchronous>Motor Database. In this example, the MPL-B320P-H motor is configured.

The screenshot shows the 'Motor Database' window with the following configuration details:

- Vendor:** Allen-Bradley Motor
- Motor Model:** MPL-A1510V-Hbx2
- ID:** 693
- Electrical:**
  - Kt (Torque Constant): 0.373 Nm/A
  - Ke (Voltage Constant): 13.03 V/KRpm
  - (p-p, Sine Peak)
  - Lm (Inductance phase-phase): 23 mH
  - Rm (Resistance phase-phase): 46 Ohm
  - Nominal phase current: 0.74000001 Amp
  - Intermittent Current: 2.400000095 Amp
  - Nominal Drive Bus Voltage: 325 Vdc
  - Number of poles: 8
- Mechanical:**
  - Jm (Rotor Moment of Inertia): 0.000007 Kgm2
  - Maximum Velocity: 8000 RPM
- Feedback Encoder:**
  - PPR before quad: 2000
  - Halls order: 3
  - Inverted
  - B leads A for CW
- Thermal:**
  - Rt (W-A): 2.2 CW
  - Ct (W-A): 111 W-s/C

Buttons at the bottom: Create Custom, Open File, Update Drive, Cancel.

**Table 37 - Motor Category**

ID	Parameter Name	Description	Value/Notes
10	Motor ID	Motor serial number (for Rockwell Automation motor)	
11	Motor Model	Motor catalog number (for Rockwell Automation motor)	
12	Motor Vendor	Rockwell Automation	
14	Halls Order	Hallcode index	Range: 0...5
18	Jm	Motor moment of inertia	Range: 0...0.1 Kg-m <sup>2</sup>
19	Ke	Motor voltage or back EMF constant	Range: 1...500V/K rpm
20	Kt	Motor torque or force constant	Range: 0.01...10 N-m/A
21	Lm	Motor phase-to-phase inductance	Range: 0.1...500 mH
22	Rm	Motor phase-to-phase resistance	Range: 0.01...500 Ω
23	Nominal Phase Current	Motor max current (RMS)	Range: 0.5...50 A
24	Maximum Velocity	Motor max velocity	Range: 500...20,000 rpm
25	Number Of Poles	Motor number of poles	Range: 2...200
26	PPR Before Quad	Encoder resolution	Range: 256 to (65536 x12/Npoles) expressed in PPR
27	Nominal Drive Bus Voltage	Nominal motor terminal voltage	Range: 50...800V
646	Rt	Thermal resistance	Range: 0...10000000 C/W
647	Ct	Thermal capacitance	Range: 0...10000000 W-s/C

## Linear Motor Database

For Allen-Bradley motors and actuators with incremental encoders, click Change Motor and choose the device from the Linear>Motor Database. In this example, the LCD-C030100-DHTxxA linear motor is configured.

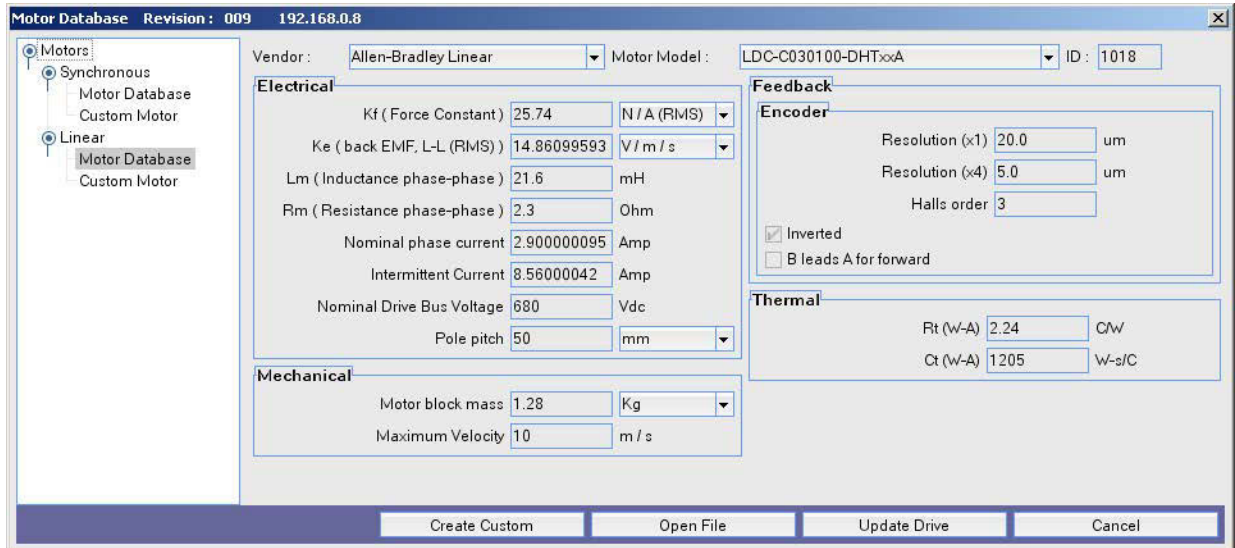


Table 38 - Linear Motor Category

ID	Parameter Name	Description	Value/Notes
10	Motor ID	Motor serial number (for Allen-Bradley motor)	
11	Motor Model	Motor catalog number (for Allen-Bradley motor)	
12	Motor Vendor	Allen-Bradley	
14	Halls Order	Hallcode index	Range: 0...5
243	Motor Block Mass	Motor block mass	Range: 0...100 kg
244	Kf	Linear motor force constant	Range: 1...1000 N/A rms
245	Ke	Motor voltage or back EMF constant	Range: 1...500V rms/m/s
21	Lm	Motor phase-to-phase inductance	Range: 0.1...500 mH
22	Rm	Motor phase-to-phase resistance	Range: 0.01...500 Ω
23	Nominal Phase Current	Motor max current (RMS)	Range: 0.5...50 A
24	Maximum Velocity	Motor max velocity	Range: 0...10 m/s
240	Pole Pitch	Pole pitch	Range: 2...200 mm
246	Resolution (x1)	Linear encoder resolution	Range: 0.4...40 μm
27	Nominal Drive Bus Voltage	Nominal motor terminal voltage	Range: 50...800V
650	Intermittent Current	Intermittent current	Range: 0...100 A
646	Rt	Thermal resistance	Range: 0...10000000 C/W
647	Ct	Thermal capacitance	Range: 0...10000000 W-s/C

## General Category

The General category provides access to the basic configuration of motion. The parameters displayed will depend on the motor type chosen in the Motor Category.

**Figure 51 - General Category for Synchronous Motors**

The screenshot shows the MotionView software configuration interface. On the left is a tree view with the following structure:

- Motor
  - General
  - Communication
    - Ethernet
      - EtherNet/IP (C)
  - IO
    - Digital IO
    - Analog IO
  - Limits
    - Velocity Limits
    - Position Limits
  - Dynamics
  - Indexing
  - Homing
  - Tools
  - Monitor
  - Faults

The main configuration area is a table with the following data:

Description	Value	Units	Min
Drive Mode	Master Gearing		
<b>Current Limits</b>			
Current Limit	8.4899998	A	0.0000
8 KHZ Peak Current Limit	26.8700008	A	0.0000
Current Output Clamp	400.0000	%	0.0000
<b>Velocity Mode Acceleration</b>			
Enable Accel / Decel Limits	Disable		
Accel Limit	1000.0000	RPM / Sec	0.1000
Decel Limit	1000.0000	RPM / Sec	0.1000
Fault Reset	Manual Only		
Motor Temperature Sensor	Enable		
<b>MASTER ENCODER : Master To System Ratio</b>			
Master	1		-32768
System	1		1
User Units	0.0200	Revolutions / Units	0.0000
<b>Rotary Unwind</b>			
Enable Rotary Unwind	<input type="checkbox"/>		
User Units Per Unwind	1.0000	User Units	0.0000
Negative Motion Polarity	<input type="checkbox"/>		

**Table 39 - General Category for Synchronous**

ID	Parameter Name	Description	Value/Notes
30 <sup>(1)</sup>	Current Limit	Continuous RMS current for motor selected	User may lower this value. This lets you trigger a motor current alarm. However, the drive will not limit the actual current to the motor. The actual RMS current limit to the motor is not configurable.
32 <sup>(1)</sup>	8 kHz Peak Current Limit	Peak current limit for 8 kHz operation (based on motor selected)	User may lower this peak value to limit current to motor. Do not set below the RMS Current for motor (tag #30).
39	Motor Temperature Sensor	Motor thermal protection function	0 = Disable 1 = Enable
75 <sup>(2)</sup>	Enable Accel/Decel Limits	Enable Accel/Decel function/limits for Velocity mode	0 = Disable 1 = Enable
76 <sup>(2)</sup>	Accel Limit	Accel value for Velocity mode	Range: 0.1 . . . 5,000,000 rpm/s
77 <sup>(2)</sup>	Decel Limit	Decel value for Velocity mode	Range: 0.1 . . . 5,000,000 rpm/s
78	Fault Reset	Reset fault configuration	Manual Only On Disable
79	Master	Master to system ratio (numerator)	Master counts range: -32767 . . . +32767
80	System	Master to system ratio (denominator)	System counts range: 1 . . . 32767
266	Drive Mode	Sets the mode of operation for the drive	0 = Auto Tune 1 = EtherNet/IP External Reference 2 = Master Gearing 3 = Step and Direction 4 = Analog Velocity Input 5 = Analog Current Input 6 = Indexing
181	User Units	User units	Revolutions of motor per user unit
672	Current output clamp	Value to clamp output current, measured in percentage of motor rated current	Range: 0 . . . 400%
670	Enable rotary unwind	Enable rotary unwind for rotary motors. When rotary unwind is used with a motor with an absolute encoder, the position will be restored with in the unwind cycle. These modes are available as Index Types in indexing mode or as a Reference Source in EtherNet/IP operation mode.	0 = Unchecked = Disable 1 = Checked = Enable Rotary Unwind is designed only for these modes: • Rotary Absolute • Rotary Incremental • Rotary Shortest Path • Rotary Positive • Rotary Negative Rotary unwind mode in conjunction with Blended or Registered moves is not supported. Attempting to use these move options without having configured rotary unwind will result in a drive fault.
671	User units per unwind	Number of revolutions in 1 user unit.	Range: 0 . . . 1000000
8	Negative motion polarity	Inverts the motion polarity	0 = Unchecked = Normal 1 = Checked = Reverse Step and Direction and Gear based modes and position based moves, such as incremental, absolute, as well as velocity based jogs obey the motion polarity. Current based operating modes do not obey the motion polarity. The drive must be disabled to change the motion polarity.

(1) By default, these values are set based on the configured motor. If these values are set lower than the motor capabilities, the drive will report CurrentLimitStatus in the EtherNet/IP Input assembly at the new value, but will not clamp the current output until it reaches the motor peak current.

(2) These values apply only if the drive is in Velocity mode over EtherNet/IP External Reference. In Indexing mode, the limits within the individual indexes apply. In Positioning mode, over EtherNet/IP External Reference, the limits in the Output Assembly apply.



**Figure 52 - General Category for Linear Motors**

Description	Value	Units	Min
Drive Mode	Indexing		
<b>Current Limits</b>			
Current Limit	2.9000001	A	0.0000
8 KHZ Peak Current Limit	8.5600004	A	0.0000
Current Output Clamp	400.0000	%	0.0000
<b>Velocity Mode Acceleration</b>			
Enable Accel / Decel Limits	Disable		
Accel Limit	1000.0000	RPM / Sec	0.1000
Decel Limit	1000.0000	RPM / Sec	0.1000
Fault Reset	Manual Only		
Motor Temperature Sensor	Disable		
<b>MASTER ENCODER : Master To System Ratio</b>			
Master	1		-32768
System	1		1
Measure Units	0 - mm		
User Units Scaling	1.0000		0.000101
Negative Motion Polarity	<input type="checkbox"/>		

**Table 40 - General Category for Linear Motors**

ID	Parameter Name	Description	Value/Notes
30 <sup>(1)</sup>	Current Limit	Continuous RMS current for motor selected	User may lower this value. This lets you trigger a motor current alarm. However, the drive will not limit the actual current to the motor. The actual RMS current limit to the motor is not configurable.
32 <sup>(1)</sup>	8 kHz Peak Current Limit	Peak current limit for 8 kHz operation (based on motor selected)	User may lower this peak value to limit current to motor. Do not set below the RMS Current for motor (tag #30).
39	Motor Temperature Sensor	Motor thermal protection function	0 = Disable 1 = Enable
75 <sup>(2)</sup>	Enable Accel/Decel Limits	Enable Accel/Decel function/limits for Velocity mode	0 = Disable 1 = Enable
76 <sup>(2)</sup>	Accel Limit	Accel value for Velocity mode	Range: 0.1 . . . 5,000,000 m/s <sup>2</sup>
77 <sup>(2)</sup>	Decel Limit	Decel value for Velocity mode	Range: 0.1 . . . 5,000,000 m/s <sup>2</sup>
78	Fault Reset	Reset fault configuration	Manual Only On Disable
79	Master	Master to system ratio (numerator)	Master counts range: -32767 . . . +32767
80	System	Master to system ratio (denominator)	System counts range: 1 . . . 32767
266	Drive Mode	Sets the mode of operation for the drive	0 = Auto Tune 1 = EtherNet/IP External Reference 2 = Master Gearing 3 = Step and Direction 4 = Analog Velocity Input 5 = Analog Current Input 6 = Indexing
672	Current Output Clamp	Value to clamp output current, measured in percentage of motor rated current	Range: 0 . . . 400%
676	User Units Scaling	Shows how many user units in one Measure unit	Range: 1 . . . 1000000
678	Measure Units	Measure units	0 = μm 1 = m 2 = in.
8	Negative Motion Polarity	Inverts the motion polarity	0 = Unchecked =Normal 1 = Checked =Reverse Step and Direction and Gear based modes and position based moves, such as incremental, absolute, as well as velocity based jogs obey the motion polarity. Current based operating modes do not obey the motion polarity. The drive must be disabled to change the motion polarity.

(1) By default, these values are set based on the configured motor. If these values are set lower than the motor capabilities, the drive will report CurrentLimitStatus in the EtherNet/IP Input assembly at the new value, but will not clamp the current output until it reaches the motor peak current.

(2) These values apply only if the drive is in Velocity mode over EtherNet/IP External Reference. In Indexing mode, the limits within the individual indexes apply. In Positioning mode, over EtherNet/IP External Reference, the limits in the Output Assembly apply.

## Communication Categories

The communication categories provide access to setting the IP address for your drive and object parameters used in the Input and Output Assembly EtherNet/IP data links.

### Ethernet Communication

The Ethernet category provides access to the IP address configuration. You can configure your drive to obtain the IP address automatically (by using DHCP) or set the values manually.

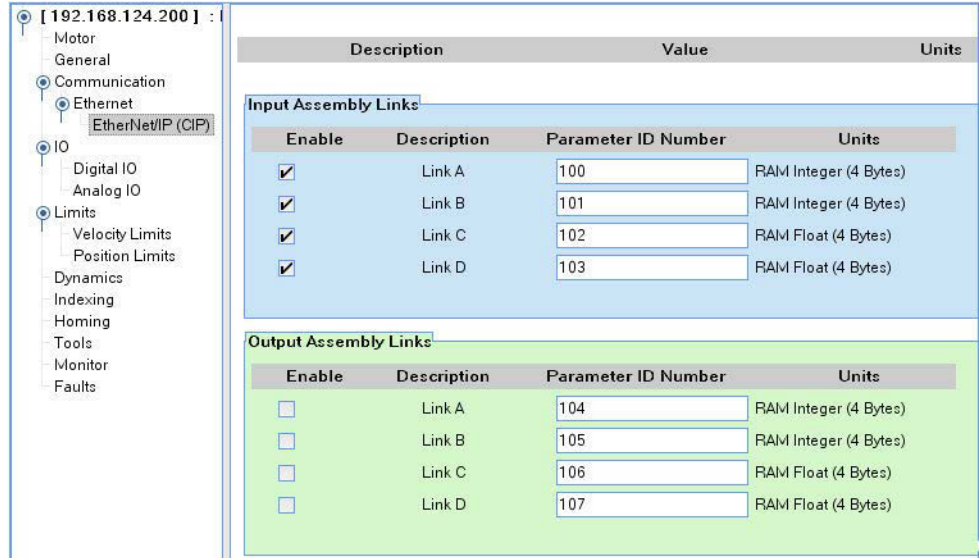


**Table 41 - Ethernet Communication Category**

ID	Parameter Name	Description	Value/Notes
67	IP address	Ethernet IP address	IP address changes at next powerup. 32 bit value.
68	Subnet Mask	Ethernet IP NetMask	Mask changes at next powerup. 32 bit value.
69	Default Gateway	Ethernet Gateway IP address	Address changes at next powerup. 32 bit value.
70	Obtain IP Address using DHCP	Use DHCP	Checked = Use DHCP service Unchecked = Manual

## Ethernet (CIP) Communication

The EtherNet/IP (CIP) category provides access to the modifiable drive object parameters that are used in the Input and Output Assembly EtherNet/IP data links.



The Enable parameters determine if the parameter should be copied into or out of the assembly.

**Table 42 - Ethernet (CIP) Communication Category**

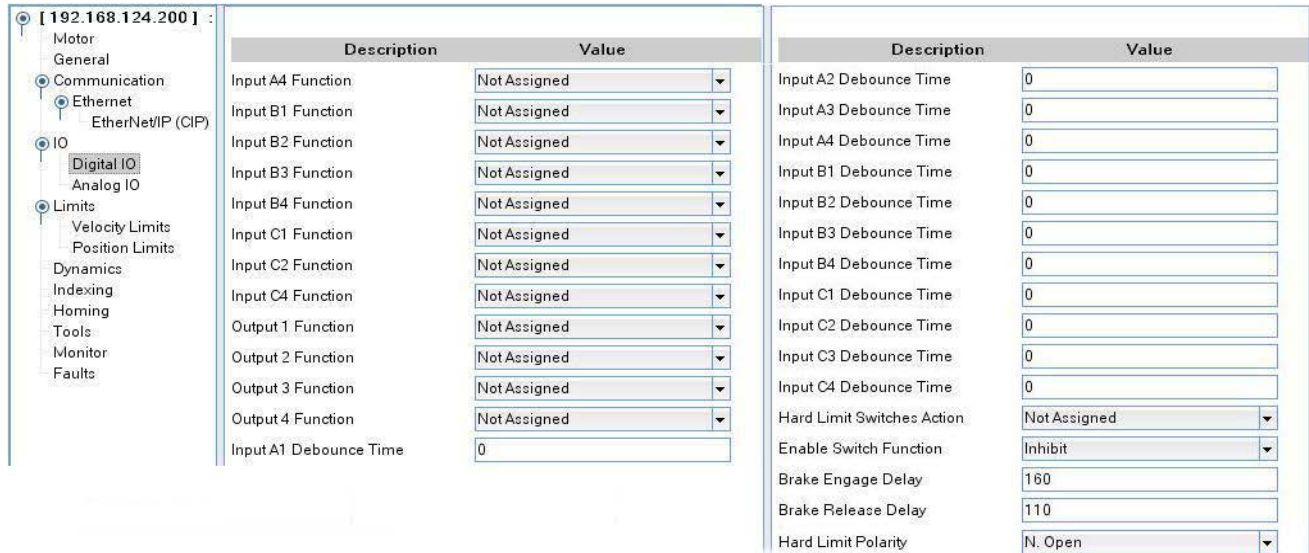
ID	Parameter Name	Description	Value/Notes
249	Enable - Input Assembly Links	Datalink A for input assembly	UserDefinedIntegerData0
250		Datalink B for input assembly	UserDefinedIntegerData1
251		Datalink C for input assembly	UserDefinedIntegerReal0
252		Datalink D for input assembly	UserDefinedIntegerReal1
253	Enable - Output Assembly Links	Datalink A for output assembly	UserDefinedIntegerData0
254		Datalink B for output assembly	UserDefinedIntegerData1
255		Datalink C for output assembly	UserDefinedIntegerReal0
256		Datalink D for output assembly	UserDefinedIntegerReal1

# Input/Output Categories

The Input/Output categories provide access to the configuration of the modifiable Digital I/O and Analog I/O parameters.

## Digital I/O

**IMPORTANT** Drive object parameters of type DINT can be used only in the RAM integer data links, parameters of type REAL can be used only in the RAM float data links.

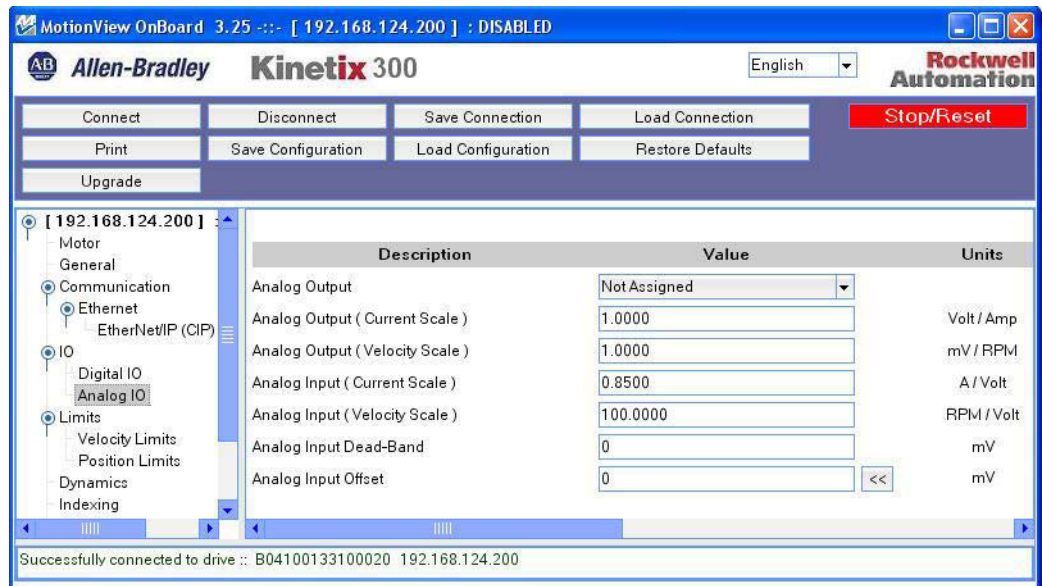


**Table 43 - Digital I/O Category**

ID	Parameter Name	Description
29	Enable Switch Function	Configuration of the enable digital input A3. 0 = Inhibit only. Must be asserted before the drive can be enabled. 1 = Run. Enables drive when asserted.
84	Hard Limit Switches Action	Configuration of the action to take when the limit switches are asserted. 0 = Not used 1 = Disable and coast 2 = Ramped Decel and Disable
189 ... 192	Input A1...A4 de-bounce time	Debounce time (0...1000 ms) of the individual digital inputs.
193 ... 196	Input B1...B4 de-bounce time	
197 ... 200	Input C1...C4 de-bounce time	
201	Output 1 Function (OUT1)	Configuration of the specific function for the individual digital outputs. 0 = Not Assigned 1 = Zero Speed 2 = In Speed Window 3 = Current Limit 4 = Run time fault 5 = Ready 6 = Brake 7 = In position
202	Output 2 Function (OUT2)	
203	Output 3 Function (OUT3)	
204	Output 4 Function (OUT4)	

ID	Parameter Name	Description
624	Input A4 Function	Configuration of the specific function for the individual digital inputs, pre-assigned inputs such as Enable and Registration are not configurable. 1 = Abort Index 2 = (Reserved) 3 = Start Index 4 = Define Home 5 = Abort Homing 6 = Start Homing 7 = Fault Reset 8 = Index Select 0 9 = Index Select 1 10 = Index Select 2 11 = Index Select 3 12 = Index Select 4
625 ... 628	Input B1...B4 Function	Configure Home Sensor input from Homing Category.
629	Input C1 Function	
630	Input C2 Function	
631	Input C4 Function	
651	Brake Engage Delay	Time (ms) from when the drive is disabled to the time that motion is stopped and brake is engaged.
652	Brake Release Delay	Time (ms) from when the drive is enabled to the time that motion is allowed to begin (brake is released).

## Analog I/O



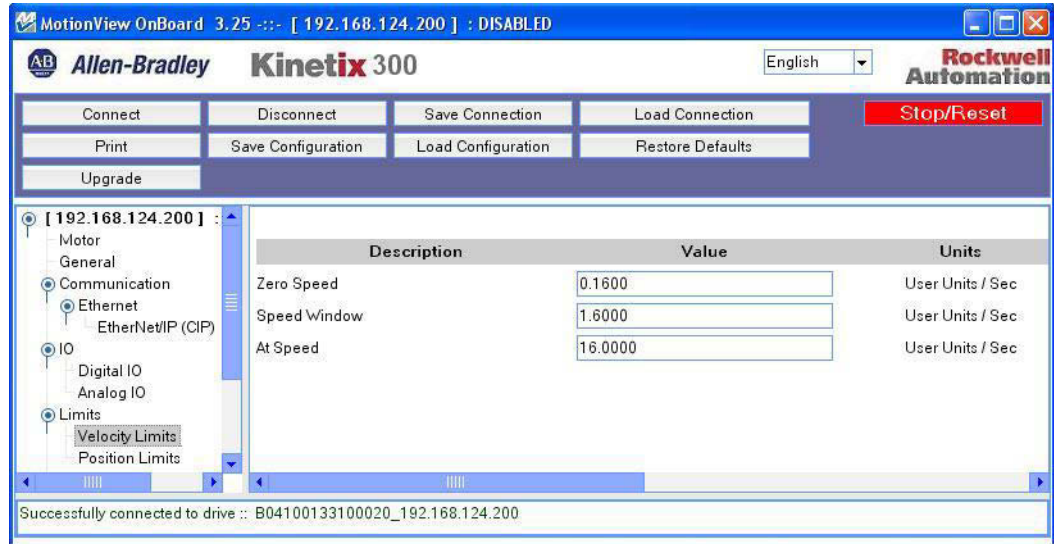
**Table 44 - Analog I/O Category**

ID	Parameter Name	Description	Value/Notes
35	Analog Input (current scale)	Analog input #1 current reference scale	Range: - X . . . +X Amps/Volt X = drive peak output current/10
36	Analog Input (velocity scale)	Analog input #1 velocity reference scale	Range: -10,000 . . . +10,000 rpm/Volt
85	Analog Output	Analog output function	0 = Not assigned 1 = Phase Current (RMS) 2 = Phase Current (Peak Value) 3 = Motor Velocity 4 = Phase Current U 5 = Phase Current V 6 = Phase Current W 7 = Iq current 8 = Id current
86	Analog Output (velocity scale)	Analog output scale for velocity quantities	Range: 0 . . . 10 mV/rpm
87	Analog Output (current scale)	Analog output scale for current related quantities	Range: 0 . . . 10 V/A
89	Analog Input Dead-Band	Analog input #1 dead-band. Applied when used as current or velocity reference	Range: 0 . . . 100 mV
90	Analog Input Offset	Analog input #1 offset. Applied when used as current/velocity reference	Range: -10,000 . . . +10,000 mV

## Limits Categories

The Limits categories provide access to the configuration of the modifiable velocity and position limit parameters.

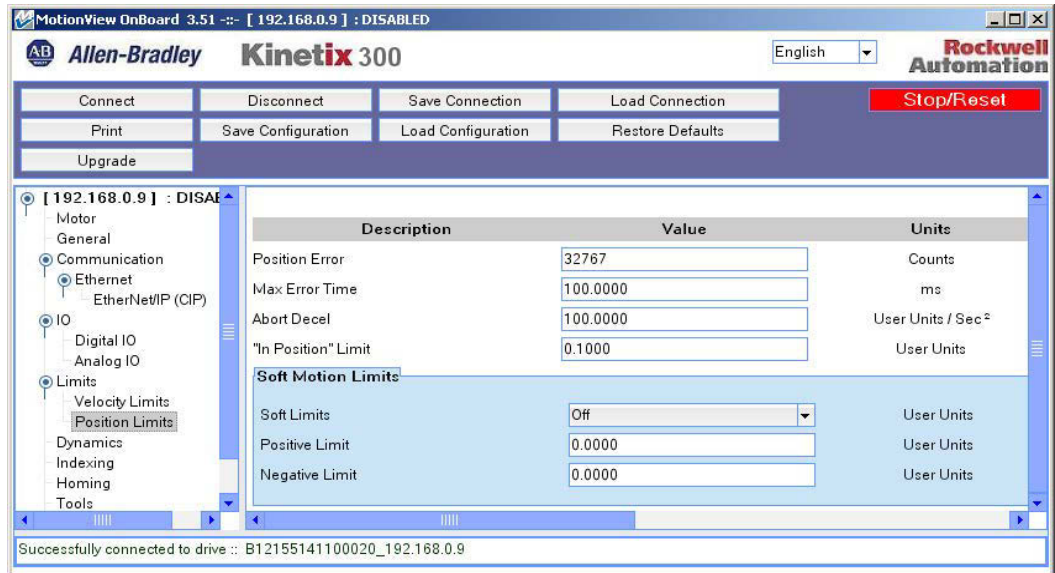
### Velocity Limits



**Table 45 - Velocity Limits Category**

ID	Parameter Name	Description	Value/Notes
58	Zero Speed	Value in user units/s below which the drive will set the Zero Speed Digital Output (if configured) and the VelocityStandstillStatus bit in the EtherNet/IP Input Assembly.	Range: 0...100 rpm
59	Speed Window	Value in user units/s for the target velocity for which the drive will set the In-Speed Window Digital Output (if configured) and the VelocityLockStatus bit in the EtherNet/IP Input Assembly.	Range: 10...10000 rpm
60	At Speed	The range in user units/s around the At Speed for setting the In-Speed Window Digital Output (if configured) and the VelocityLockStatus bit in the EtherNet/IP Input Assembly.	Range: -10000...+10000 rpm

## Position Limits



**Table 46 - Position Limits Category**

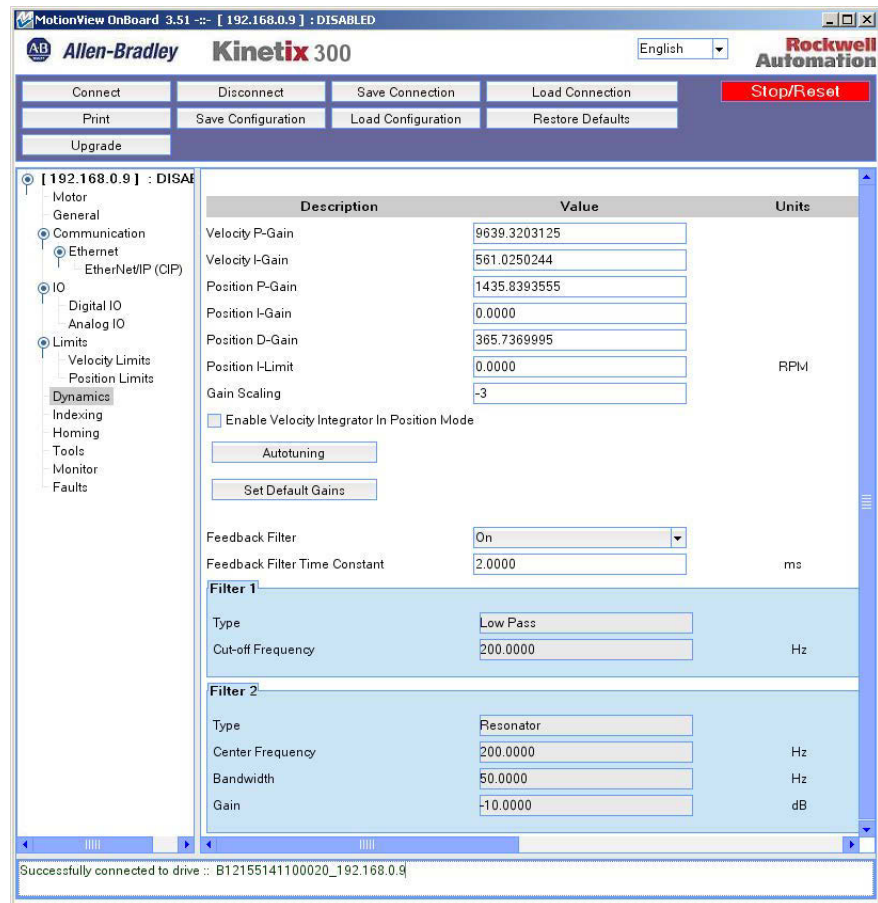
ID	Parameter Name	Description	Value/Notes
62	Max Error Time	The amount of time that the drive can be outside of the Position Error before the drive asserts an Excess Position Error Fault.	Range: 0.25 . . . 8000 ms
178	Abort Decel	The deceleration rate that the drive will use to bring the motor to a stop when either the Abort Homing or Abort Index Digital Inputs is asserted (if configured) or either the AbortIndex or AbortHoming bit is set in the EtherNet/IP Output Assembly.	User units/s <sup>2</sup>
179	Position Limit	The tolerance around the commanded position inside of which the drive will set the PositionLockStatus bit in the EtherNet/IP Input Assembly.	User units
217	Position Error	The tolerance around the commanded position outside of which the drive will assert a Excess Position Error Fault when the Max Error Time is exceeded.	Encoder counts
218	Soft Limits <sup>(1)</sup>	Off or On depending if software travel limits should be used.	0 = Off 1 = Disable and Coast 2 = Ramped Decel and Disable
219	Positive Limit	If Soft Limits are On, the position that when reached, the drive will assert a Software Overtravel fault.	User units
220	Negative Limit		User units

(1) Soft Limits parameters can only be used in Positioning mode.



## Dynamics Category

The Dynamics category provides access to the configuration of the modifiable dynamics parameters.



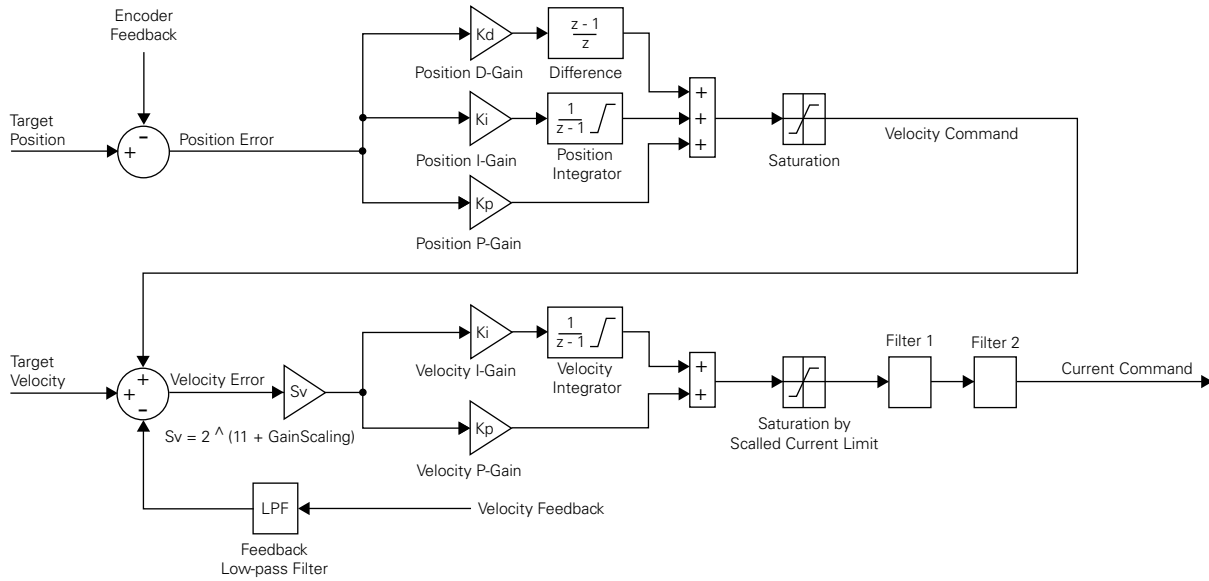
Click Autotuning to begin autotuning.

**Table 47 - Dynamics Category**

ID	Parameter Name	Description	Value/Notes
44	Velocity P-Gain	The proportional and integral gain (respectively) of the velocity loops. Gains are based on counts as the fundamental units and they are not physical units.	Range: 0...32767
45	Velocity I-Gain		Range: 0...32767
46	Position P-Gain	The proportional, integral, and derivative gain (respectively) of the position loops. Gains are based on counts as the fundamental units and they are not physical units.	Range: 0...32767
47	Position I-Gain		Range: 0...16383
48	Position D-Gain		Range: 0...32767
49	Position I-Limit	A clamping limit on the position loop I-gain compensator to prevent excessive torque overshooting caused by an over accumulation of the I-Gain.	Range: 0...20000
51	Gain Scaling	A 2x factor applied to the gains in the velocity loop useful for scaling the gains when using encoders with a high number of counts per revolution.	Range: -16...+4

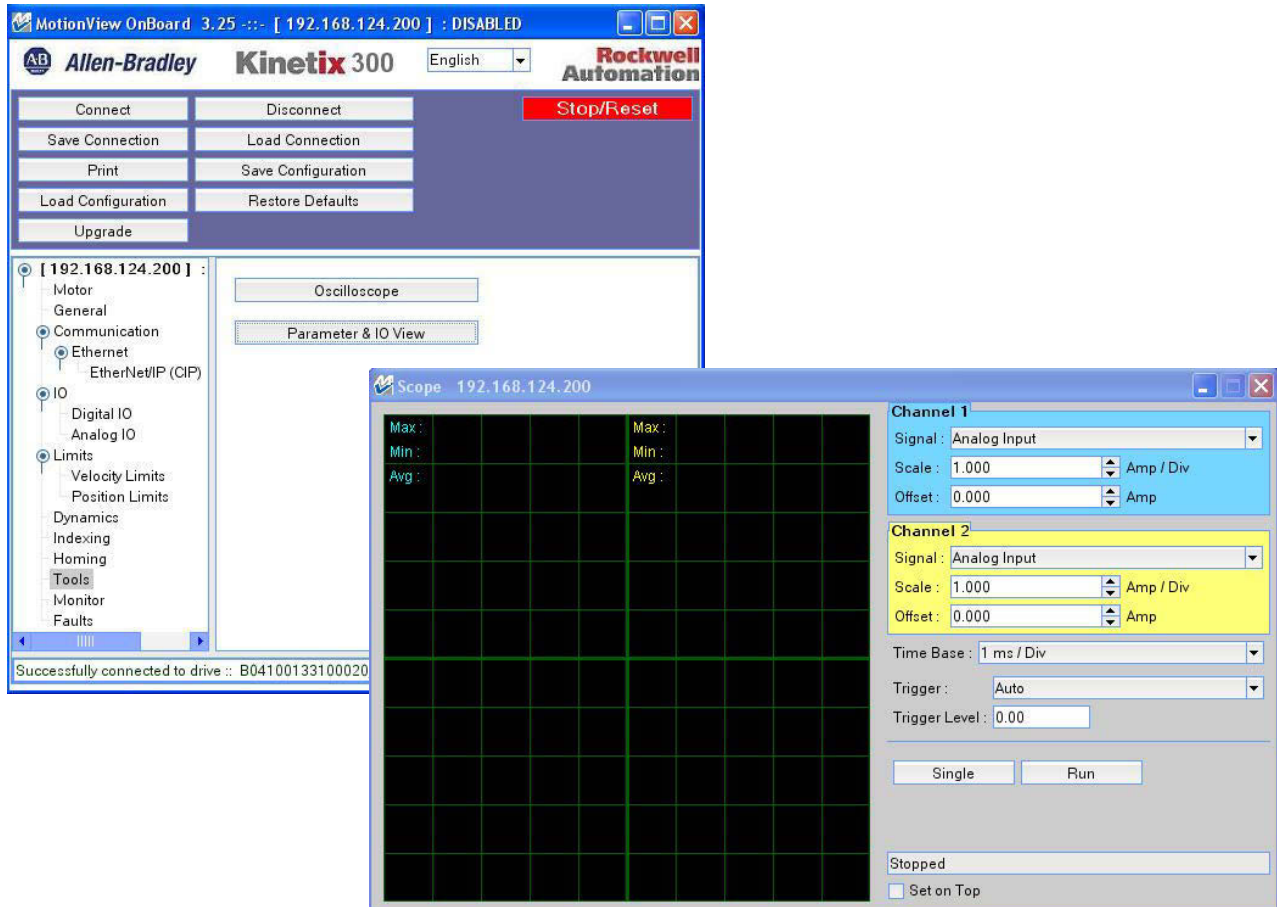
See the Servo Loop diagram on [page 98](#) for more information on these parameters.

Figure 53 - Servo Loop Diagram



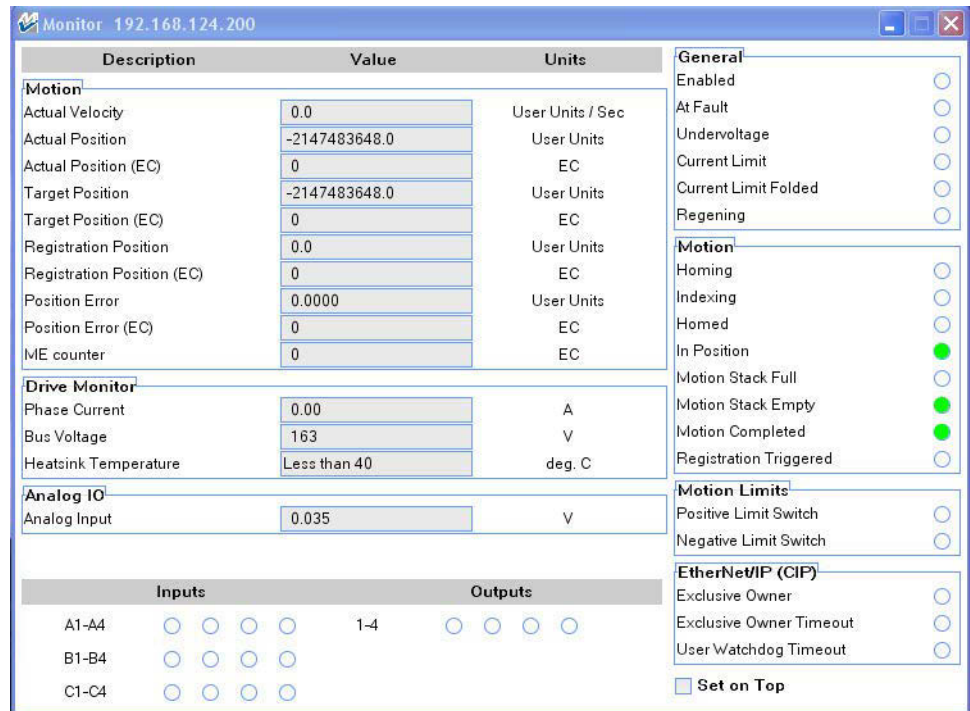
## Tools Category

The tools category provides access to the oscilloscope and digitally monitor drive performance parameters.



## Monitor Category

The monitor category provides access to pre-configured status information for the drive. This information is displayed in a floating window that updates in real time.



**Table 48 - Monitor Category**

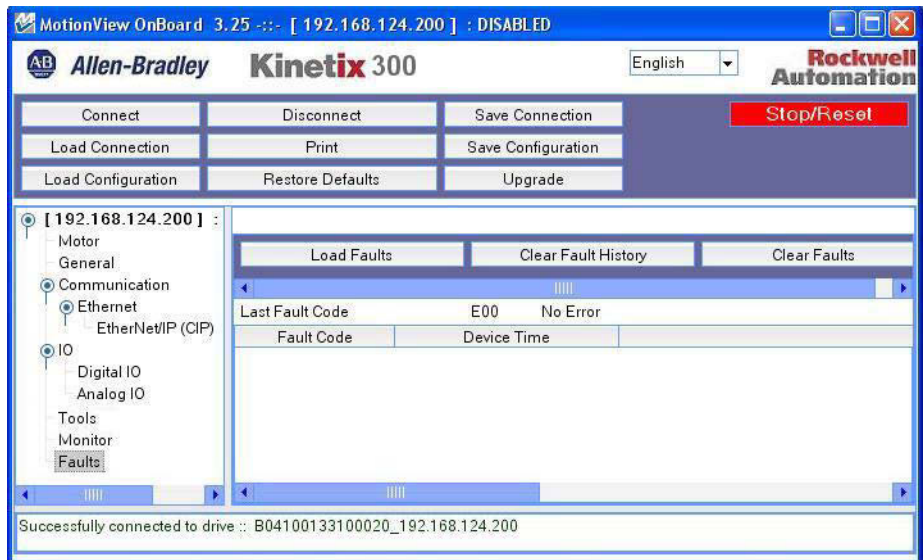
ID	Parameter Name	Description	Value/Notes
7	Actual Velocity	Actual measured motor velocity	UU/s
65	Inputs	Digital inputs states	A1 Input = Bit 0 A2 Input = Bit 1 A3 Input = Bit 2 A4 Input = Bit 3 B1 Input = Bit 4 B2 Input = Bit 5 B3 Input = Bit 6 B4 Input = Bit 7 C1 Input = Bit 8 C2 Input = Bit 9 C3 Input = Bit 10 C4 Input = Bit 11
66	Outputs	Digital outputs states. Writing to these variables sets or resets digital outputs that have not been assigned to a special function.	Output 1 = Bit 0 Output 2 = Bit 1 Output 3 = Bit 2 Output 4 = Bit 3
71	Analog Input	Analog Input AIN1 value	Volts
73	Bus Voltage	Measured Bus voltage	
74	Heatsink Temperature	Heatsink temperature	0 = Temperatures < 40 °C (104 °F) Actual heat sink temperature = Temperatures > 40 °C (104 °F)
182	ME Counter	Master Encoder (ME) input counter value, reset by writing zero or other value to the parameter.	Counts
183	Phase Current	Phase current	Amps

**Table 48 - Monitor Category (continued)**

ID	Parameter Name	Description	Value/Notes
184	Target Position (EC)	Target position	Encoder pulses
185	Actual Position (EC)	Actual position	Encoder pulses
186	Position Error (EC)	Position error	Encoder pulses
207	Registration Position (EC)	Registration position	Encoder counts
208	Registration Position	Registration position	User units
209	Target Position	Target position	User units
210	Actual Position	Actual position	User units
211	Position Error	Position error	Encoder counts

## Faults Category

The Faults category provides access to the configuration of the modifiable fault parameters.



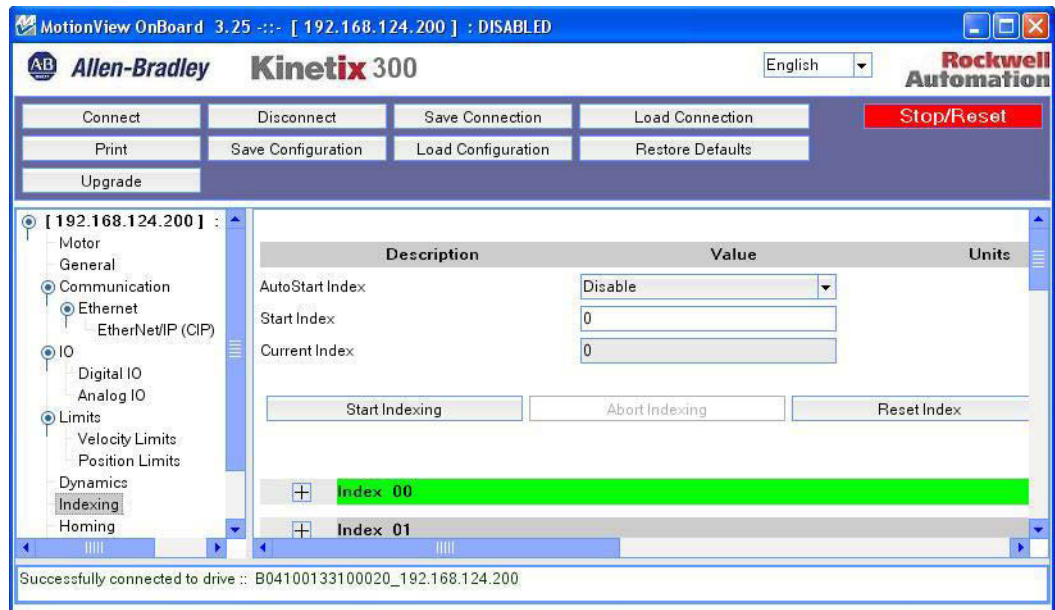
**Table 49 - Faults Category**

ID	Parameter Name	Description	Value/Notes
653	Last Fault Code	Fault E-code	Same fault code that is displayed on the servo drive display.
N/A	Device Time	The time since powerup of the drive that the fault occurred.	N/A
N/A	Load Faults	Recall the last 15 faults the drive reported.	N/A
N/A	Clear Fault History	Clear the fault history of the drive.	N/A
N/A	Clear Faults	Clear the current fault in the drive.	N/A

## Indexing Category

The software for the onboard indexing operation is accessed via the MotionView software and is also configurable over the EtherNet/IP connection by using explicit messaging in RSLogix 5000 and RSLogix 500 software.

In Indexing mode, the Kinetix 300 drive begins executing indexes based on either a command received over the EtherNet/IP connection or immediately upon assertion of the hardware enable signal.



**Table 50 - Indexing Category**

ID	Parameter Name	Description	Value/Notes
267	AutoStart Index	Enable Auto Start index function for Indexing mode when drive becomes enabled	0 = Disable 1 = Enable
632	Start Index	Indexing starts from index specified	0...31
637	Current Index	Index currently executing. This tag is valid only in Indexing mode.	0...31

An index controls drive operation when Drive mode is set to Indexing in the General category. The drive starts indexing at the index whose number (0...31) is reflected in the cumulative binary values of the Index Select 0, 1, 2, 3, and 4 that are selected in the Digital Inputs category.

The digital input Index Select binary values are as follows:

- Index Select 0 = 1 if active, 0 if not.
- Index Select 1 = 2 if active, 0 if not.
- Index Select 2 = 4 if active, 0 if not.
- Index Select 3 = 8 if active, 0 if not.
- Index Select 4 = 16 if active, 0 if not.

If an Index Select is not assigned to a digital input, the Index Select is considered inactive.

When the Kinetix 300 drive is in Indexing mode the drive performs the required index based position move, for each index, according to the parameters shown below. The Kinetix 300 drive supports up to 32 indexes.

The drive validates the index table before execution. During validation, if the drive encounters an error such as index entries that contain invalid values, the drive issues a fault and does not allow execution of the index table until the anomaly has been corrected.

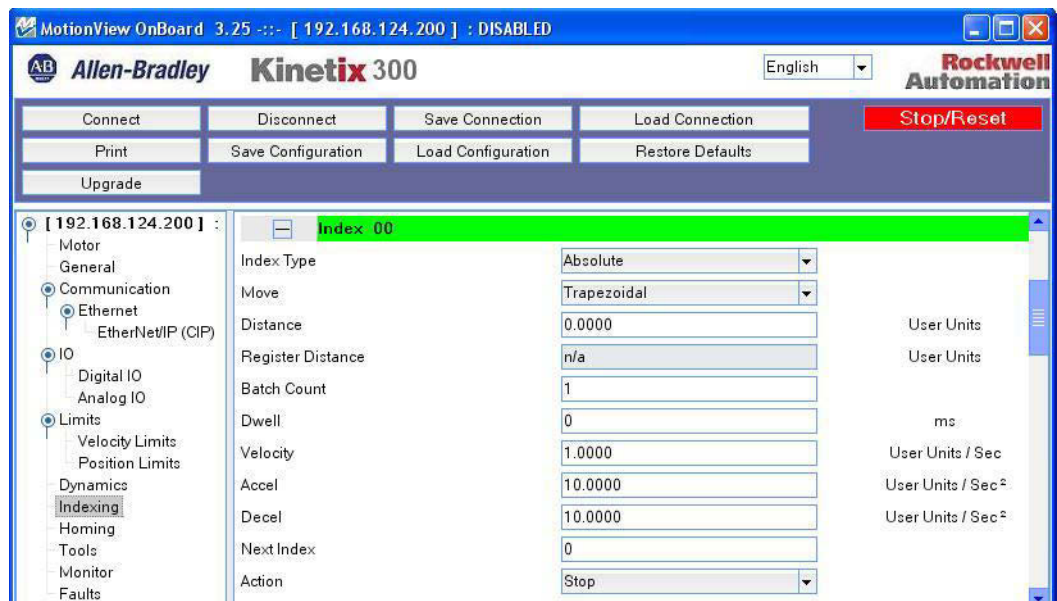


Table 51 - Index 00...31

ID <sup>(1)</sup>	Parameter Name	Description	Value/Notes <sup>(2)</sup>
272	Index Type	Absolute with and without registration, incremental with and without registration, or blended incremental.	0 = Absolute 1 = Incremental 2 = Registration absolute 3 = Registration incremental 4 = Blended 5 = Rotary absolute 6 = Rotary incremental 7 = Rotary shortest path 8 = Rotary positive 9 = Rotary negative 10 = Current
273	Move	Trapezoidal or S-curve.	0 = Trapezoidal 1 = S-curve
274	Distance	The incremental distance to move or target position, based on the Index Type.	1...268435.4560 User Units
275	Register Distance		
276	Batch Count	How many times to execute index before moving on to the next index.	1...2147483647
277	Dwell	The time to remain at position before moving on to the next index. This is not applied between batches. If Index Type is Current then Dwell is amount of time current level is applied.	0...65535 ms
278	Velocity	The target speed when moving towards the new position. If the acceleration rate is too low, the axis may not actually reach the target velocity. If Index type is Current, then Velocity is % rated current applied.	0.0000...10,000,000.0000 User Units/s
279	Accel	The rate to accelerate towards the configured velocity.	0.0000...10,000,000.0000 User Units/s
280	Decel	The rate to decelerate towards zero-velocity from configured-velocity.	0.0000...10,000,000.0000 User Units/s
281	Next Index	The next index to execute after the current index completes.	0...31
282	Action	What to do when current index is complete.	0 = Stop 1 = Wait for start 2 = Next index

(1) ID tag numbers in this example is for Index 00. See [Table 56 on page 111](#) and [Table 57 on page 112](#).

(2) Numerical values (0 =, 1 =, 2 =, for example) for menu choices appear only in explicit messages sent when using RSLogix 5000 or RSLogix 500 software.

## Index Type Parameter

You can set the Index Type parameter to:

- Absolute
- Incremental
- Registration Absolute
- Registration Incremental
- Blended
- Rotary Absolute
- Rotary Incremental
- Rotary Shortest Path
- Rotary Positive
- Rotary Negative
- Current

### *Absolute*

Moves from its starting position to the specified Position, below.

Note: The axis must be homed before the drive can execute an absolute index otherwise an E27 fault is asserted.

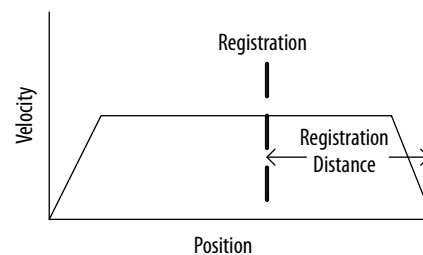
### *Incremental*

Moves from its starting position the specified Distance

### *Registration Distance*

Registration Distance is the relative distance the motor travels beyond the position when a registration digital input is detected. If the indexing configuration Type is set to Registration Absolute or Registration Incremental, you must also configure the Registration Distance parameter. In Registration Indexing mode, the drive moves the motor from its starting position the specified Distance, provided the registration sensor input is not detected. If the registration sensor input is detected, the move is adjusted such that the end position is determined by the Registration Distance setting.

**Figure 54 - Registration Index Type**



### Blended

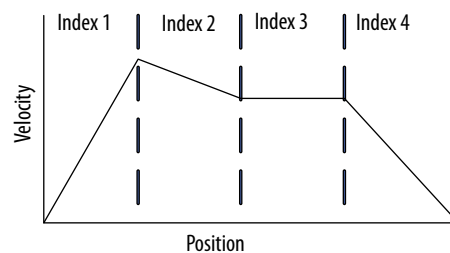
If the indexing configuration Type is set to Blended, the acceleration and deceleration parameters are not programmable. Instead, they are calculated internally by the drive based on distance and velocity between the two points of the move. The index table contains the position and velocities necessary to assemble the profile.

---

**IMPORTANT** The full profile is assembled by stitching together a sequence of positions and velocities rather than complete move operations.

---

**Figure 55 - Example of Blended Indexing**



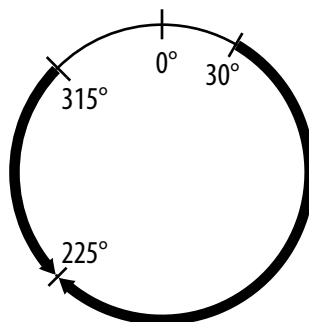
### Rotary Absolute

With an Rotary Absolute based move, the direction of travel depends on the current position of the motor and is not necessarily the shortest path to the end position. For starting positions less than the end position, within the unwind, the result is motion in the positive direction; while starting positions greater than the end position, within the unwind, results in motion in the negative direction.

The command position can be greater than the unwind value. Negative position values are equivalent to their corresponding positive values and are useful when rotating the axis through 0. For example,  $-90^\circ$  is the same as  $+270^\circ$ . When the position is greater than or equal to the unwind value, the axis moves through more than one revolution of the unwind before stopping at an absolute position. The actual position on each revolution through the unwind will start at zero regardless of the number of revolutions actually performed.

Rotary Absolute mode is only possible when Rotary Unwind mode is set up in the General category.

**Figure 56 - Rotary Absolute Move**





### *Rotary Incremental*

With an Rotary Incremental based move, the direction of travel depends on polarity of the commanded position. Positive commands result in motion in the positive direction and negative commands result in motion in the negative direction.

The command position can be greater than the unwind value. When the position is greater than or equal to the unwind value, the axis moves through more than one revolution of the unwind before stopping. The actual position on each revolution through the unwind will start at zero regardless of the number of revolutions actually performed.

If your system has an absolute encoder, home the axis before initiating an absolute move otherwise the drive will fault with an E27.

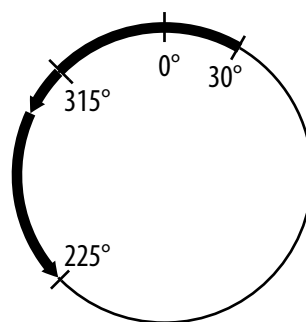
Rotary Incremental mode is only possible when Rotary Unwind mode is set up in the General category.

### *Rotary Shortest Path*

The Rotary Shortest Path move is a special type of Absolute move where the motor is moved to the commanded position within the unwind in whichever direction of travel is the shortest, moving through 0 degrees if necessary. With Rotary Shortest Path the motor will not more than 1 revolution of unwind before stopping at an absolute position.

Rotary Shortest Path mode is only possible when Rotary Unwind mode is set up in the General category.

**Figure 57 - Rotary Shortest Path Absolute Move**

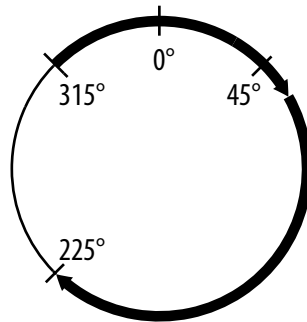


### Rotary Positive

The Rotary Positive move is a special type of Absolute move where the motor is moved to the commanded position within the unwind in the positive direction of travel moving through 0 degrees if necessary. With Rotary Positive move the motor will not move more than 1 revolution of unwind before stopping at an absolute position.

Rotary Positive mode is only possible when Rotary Unwind mode is set up in the General category.

**Figure 58 - Rotary Positive Absolute Move**

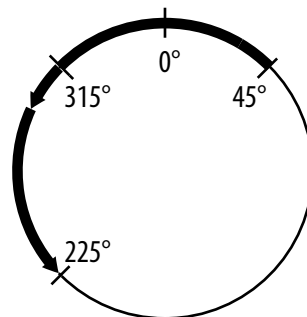


### Rotary Negative

The Rotary Negative move is a special type of Absolute move where the motor is moved to the commanded position within the unwind in the negative direction of travel moving through 0 degrees if necessary. With Rotary Negative the motor cannot be moved more than 1 revolution of unwind before stopping at an absolute position.

Rotary Negative mode is only possible when Rotary Unwind mode is set up in the General category.

**Figure 59 - Rotary Negative Absolute Move**



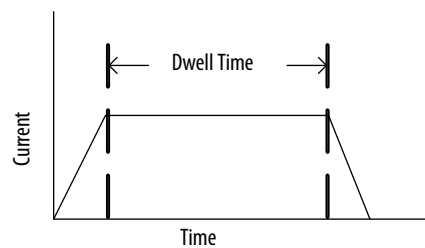
## Current

The Kinetix 300 drive has a special indexing configuration type of Current that supplies a specified current for a fixed time as part of executing the index table. You are able to transition to this type of index without disabling the drive. When in this mode, the position and velocity loops do not engage. When transitioning from Current mode to Position or Velocity mode, the drive begins tracking commands with the current position or velocity of the drive. The drive will not attempt to correct for the movement of the motor while in Current mode.

When using Current Mode distance, velocity, acceleration, deceleration and batch count parameters are not programmable.

In this type of index the drive applies the specified current for the Dwell parameter number of milliseconds. All of the thermal protections continue to be active if the specified current exceeds the continuous current rating of the drive or motor. [Figure 60](#) shows an example of a current index.

**Figure 60 - Current Indexing**



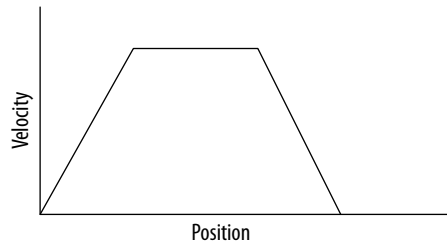
## Action Parameter

You can set the Action parameter to Stop, Wait for Start, or Next Index.

### Stop

This action stops and holds zero velocity while remaining enabled. Upon assertion of the Start Index digital input or the Start Motion bit in the EtherNet/IP Output Assembly, the drive begins executing the index in the Index system parameter.

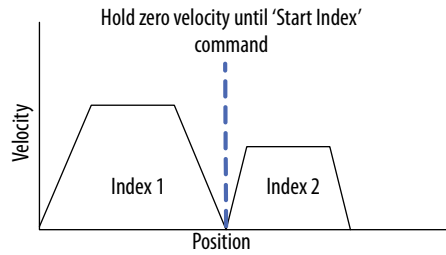
**Figure 61 - Example of Stop and Hold Index Action**



### Wait For Start

This action waits for either the Start Motion bit to transition in the EtherNet/IP Output Assembly or for the Start Index configured digital input to perform an active transition.

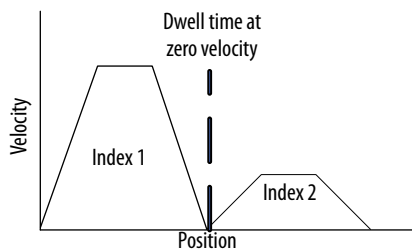
**Figure 62 - Example of Wait for Start Index Action**



### Next Index

This action immediately moves to the next index as defined by the Next Index parameter.

**Figure 63 - Example of Next Index Action**



## Start Index

During powerup the Kinetix 300 drive does one of the following:

- Automatically start the indexing program upon enabling of the drive.
- Waiting for a digital input transition before starting the index.
- Waiting for a software signal over EtherNet/IP network before starting the index.

When the drive is configured for AutoStart Index, the drive begins executing the configured index immediately after the drive enables.

If the drive is not configured for AutoStart Indexing, the drive does not begin executing the configured index until either the Start Motion bit transitions in the EtherNet/IP Output Assembly or the digital input configured for Start Index is transitioned to an active state.

The configuration for Start Index requires setting the following parameters either over EtherNet/IP Explicit Messaging or through the MotionView software interface.

**Table 52 - Start Index Configuration**

ID	Parameter Name	Description	Value/Notes
N/A	Drive Mode	Set to [Indexing]	N/A
267	AutoStart Index	Enable Auto Start index function for Indexing mode when drive becomes enabled	0 = Disable 1 = Enable
632	Start Index	Indexing starts from index specified	0...31
29	EnableSwitchType	Enable switch function	0 = Inhibit only 1 = Run

## Abort Indexing

An active state terminates an indexing sequence by decelerating to a stop and holding zero velocity while remaining enabled. No further indexing is executed until commanded by the user or controller.

The configuration for Abort Index can be set in the add-on profile or through MotionView software interface as a digital input.

## Reset Index

Reset Index will set the current index to the Start Index

## Explicit Messages for Indexing

The Kinetix 300 drive provides an EtherNet/IP assembly for configuring all parameters associated with a single index from within a single Explicit Message. To do this, make a User-Defined type in the RSLogix 5000 or RSLogix 500 program that follows the structure below. Send the User-defined type in a Set Attribute Single Explicit Message to class 4, instance 115 and attribute 3.

Figure 64 - Message Assembly Example

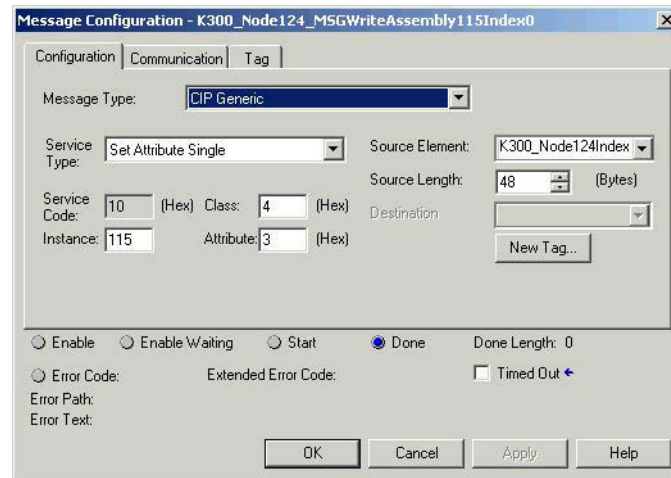


Table 53 - Explicit Messaging for Indexing

RSLogix 5000 Field	Description
Index Number	This DINT contains the index number that is being modified.
Index Type	This DINT contains the type of the index, absolute, incremental, registration or blended incremental.
Index Move Type	This DINT contains the move type of the index Trapezoidal or S-Curve.
Index Distance	This REAL contains the move distance of the index.
Index Batch Count	This DINT contains the number of times the index should execute before moving to the next index.
Index Dwell	This DINT contains the number of milliseconds the axis should remain at position before moving to the next index.
Index Velocity	This REAL contains the velocity the axis should move at while moving the specified distance.
Index Maximum Acceleration	This REAL contains the maximum acceleration the axis should use in reaching the index velocity.
Index Maximum Deceleration	This REAL contains the maximum deceleration the axis should use in when approaching the target position.
Index Next Index	This DINT contains the next index the drive should begin executing after completing this index.
Index Action	This DINT contains the action the drive should take once this index is complete.
Index Registration Distance	This REAL contains the displacement from the registration position the axis should move to if a registration index is used.

**Table 54 - Index Configuration Assembly Instance**

Byte	Bit 7	Bit 6	Bit 5	Bit 4	Bit 3	Bit 2	Bit 1	Bit 0
0...3	Index Number (DINT)							
4...7	Index Type (DINT)							
8...11	Index Move Type (DINT)							
12...15	Index Distance (REAL)							
16...19	Index Batch Count (DINT)							
20...23	Index Dwell (DINT)							
24...27	Index Velocity (REAL)							
28...31	Index Maximum Acceleration (REAL)							
32...35	Index Maximum Deceleration (REAL)							
36...39	Index Next Index (DINT)							
40...43	Index Action (DINT)							
44...47	Index Registration Distance (REAL)							

In this Index Configuration Assembly example, the parameter Index Number with a range of 0...3 bytes is expanded to show the low byte, low middle byte, high middle byte, and high byte. These values are typical for each parameter in [Table 54](#).

**Table 55 - Index Configuration Assembly Example**

Byte	Parameter Value
0	Index Number - Low byte
1	Index Number - Low middle byte
2	Index Number - High middle byte
3	Index Number - High byte

**Table 56 - ID Tag Numbers for Indexes 00...15**

Parameter Name	00	01	02	03	04	05	06	07	08	09	10	11	12	13	14	15
Index Type	272	283	294	305	316	327	338	349	360	371	382	293	404	415	426	437
Move	273	284	295	306	317	328	339	350	361	372	383	294	405	416	427	438
Distance	274	285	296	307	318	329	340	351	362	373	384	295	406	417	428	439
Register Distance	275	286	297	308	319	330	341	352	363	374	385	296	407	418	429	440
Batch Count	276	287	298	309	320	331	342	353	364	375	386	297	408	419	430	441
Dwell	277	288	299	310	321	332	343	354	365	376	387	298	409	420	431	442
Velocity	278	289	300	311	322	333	344	355	366	377	388	299	410	421	432	443
Accel	279	290	301	312	323	334	345	356	367	378	389	400	411	422	433	444
Decel	280	291	302	313	324	335	346	357	368	379	390	401	412	423	434	445
Next Index	281	292	303	314	325	336	347	358	369	380	391	402	413	424	435	446
Action	282	293	304	315	326	337	348	359	370	381	392	403	414	425	436	447

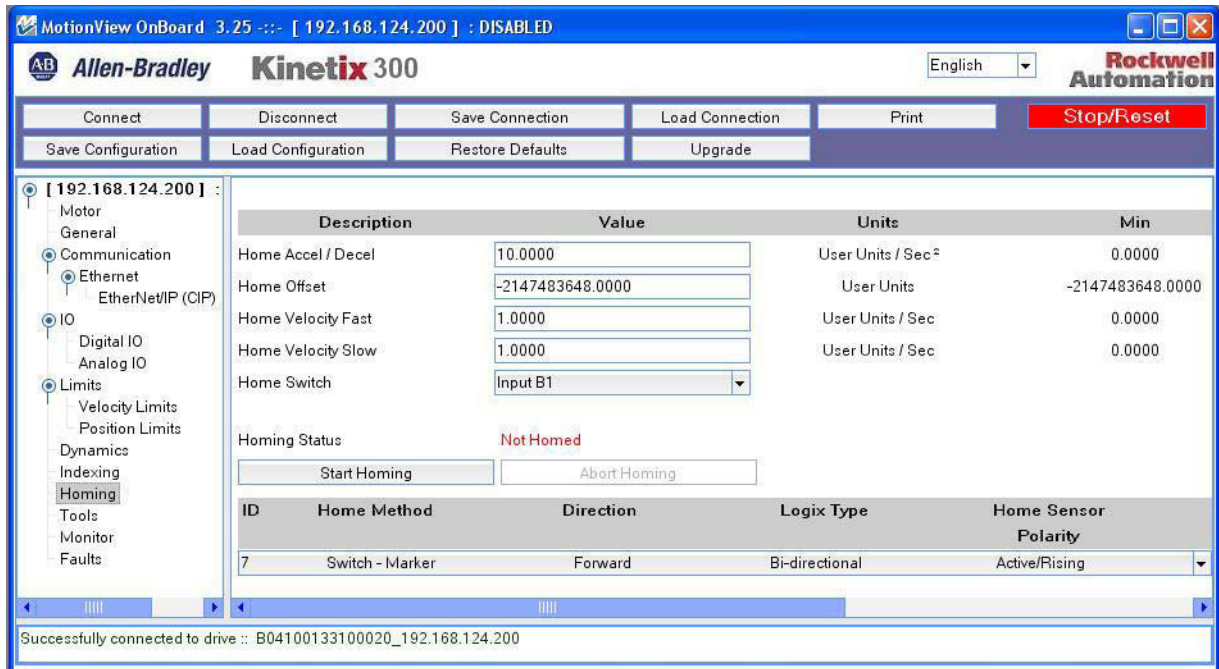
Table 57 - ID Tag Numbers for Indexes 16...31

Parameter Name	16	17	18	19	20	21	22	23	24	25	26	27	28	29	30	31
Index Type	448	459	470	481	492	503	514	525	536	547	558	569	580	591	602	613
Move	449	460	471	482	493	504	515	526	537	548	559	570	581	592	603	614
Distance	450	461	472	483	494	505	516	527	538	549	560	571	582	593	604	615
Register Distance	451	462	473	484	495	506	517	528	539	550	561	572	583	594	605	616
Batch Count	452	463	474	485	496	507	518	529	540	551	562	573	584	595	606	617
Dwell	453	464	475	486	497	508	519	530	541	552	563	574	585	596	607	618
Velocity	454	465	476	487	498	509	520	531	542	553	564	575	586	597	608	619
Accel	455	466	477	488	499	510	521	532	543	554	565	576	587	598	609	620
Decel	456	467	478	489	500	511	522	533	544	555	566	577	588	599	610	621
Next Index	457	468	479	490	501	512	523	534	545	556	567	578	589	600	611	622
Action	458	469	480	491	502	513	524	535	546	557	568	579	590	601	612	623



## Homing Category

The Kinetix 300 drives have a predefined (firmware based) homing functionality. The supported homing methods include limit switches at the ends of travel, a dedicated home switch, an index pulse or zero reference from the motor feedback device, or a combination of the above.



The configuration for Homing requires setting these parameters either over EtherNet/IP Explicit Messaging or through the embedded software interface.

**Table 58 - Homing Category**

ID	Parameter Name	Description	Value/Notes
227	Home Accel/Decel	Homing acceleration/deceleration rate	Range 0... 10,000,000 UU per second <sup>2</sup> .
228	Home Offset	The new position of the motor after the homing sequence is complete. All subsequent absolute moves are taken relative to this new zero position.	Range: -32767... +32767 user units.
230	Home Velocity Fast	For homing methods that use one velocity setting, this tag is used as the velocity.	Range: -10,000... +10,000 UU/sec.
231	Home Velocity Slow	For homing methods that use two velocity settings (fast and slow), this tag is used as the slow velocity. Typically, this tag is used to creep to a homing position.	
232	Home Method	Defines the type of homing to be performed. See Table 59 on <a href="#">page 115</a> .	N/A
234	Home Switch	The digital input that should be used as a home switch for appropriate homing method.	Do not assign to A1, A2, A3, or C3 as these inputs have predefined functions.

## Homing Methods

To use homing methods involving Motor Index Pulse (zero pulse), the index pulse of the motor must be connected to the drive input. When the drive has been homed, it asserts the Homed bit in the EtherNet/IP Output Assembly.

The drive indicates whether the homing completed successfully or not. Once homing has been initiated, the Homing Active status bit in the EtherNet/IP Input Assembly is set. If the Homing Active status bit is no longer set and the Homed status bit is also not set, then an error occurred in the homing and the drive is not homed.

If the drive has not been homed or the stored absolute position information from an absolute home is no longer valid, any absolute position moves generate a fault. Incremental position moves do not generate a fault.

Absolute homing is the only method retained after power cycles. With any other homing method the Homed bit is not set following a power cycle until the homing has been repeated.

The absolute position information within the drive (if absolute homed) is cleared and the Homed bit cleared if any of these events occur:

- A change of motor encoder is detected.
- A change of motion polarity is made.
- The absolute position information within the motor nonvolatile memory does not match the absolute position information within the drive nonvolatile memory (if absolute homed).
- A feedback related fault has occurred.
- At power up drive is reporting a battery error.

If your drive is set to Indexing mode and you are not using a controller, a home switch is required to automatically home your incremental encoder at power up.

---

**IMPORTANT** All homing methods write to the drive's non-volatile memory, which is limited to 1 million write cycles. The drive should not be homed more often than this.

---

**Table 59 - Homing Methods Summary**

Home Method <sup>(1)</sup> <sup>(2)</sup>		Direction	Homing Type	Home Sensor Polarity
7	Switch-Marker	Forward	Bi-directional	Active/Rising
8	Switch-Marker	Forward	Uni-directional	Active/Rising
9	Switch-Marker	Forward	Bi-directional	Active/Falling
10	Switch-Marker	Forward	Uni-directional	Active/Falling
11	Switch-Marker	Reverse	Bi-directional	Active/Rising
12	Switch-Marker	Reverse	Uni-directional	Active/Rising
13	Switch-Marker	Reverse	Bi-directional	Active/Falling
14	Switch-Marker	Reverse	Uni-directional	Active/Falling
23	Switch-Fast	Forward	Home to sensor	Active/Rising
25	Switch-Slow	Forward	Home to sensor	Active/Falling
27	Switch-Slow	Reverse	Home to sensor	Active/Falling
29	Switch-Fast	Reverse	Home to sensor	Active/Rising
33	Marker	Reverse	Home to marker	N/A
34	Marker	Forward	Home to marker	N/A
35	Immediate	N/A	N/A	N/A

(1) All other values of [HomeMethod] are not used for the Kinetix 300 drive and attempts to use those values will result in a drive fault.

(2) Home-to-torque is not available.

## Immediate Homing

The immediate home operation on the drive defines the current position of the motor to be the home and the position set to the [HomeOffset] parameter. The drive must be in Indexing mode or EtherNet/IP Positioning mode and the drive must be enabled.

## Absolute Homing

The absolute homing on the drive behaves similarly to the Immediate Homing operation. The homing does not induce shaft motion on the motor. The current position of the motor is the home position and the position is set to the [HomeOffset] parameter.

The difference between the absolute position in the encoder and the [HomeOffset] parameter is stored in nonvolatile memory so that all absolute motion is relative to the current position. After a power cycle the drive continues to operate as though it was homed.

For absolute homing on motors with absolute encoders, execute an Immediate Home.

## Home to Marker

On incremental encoders, the marker pulse generated by the encoder is used by the drive as the marker for active homing.

On absolute encoders without a marker pulse, the drive synthesizes (internal to the drive firmware only) a marker pulse that is a consistent position once per mechanical rotation of the motor. This generated marker pulse is used by the drive as the marker for active homing of an absolute encoder.

## Home Offset

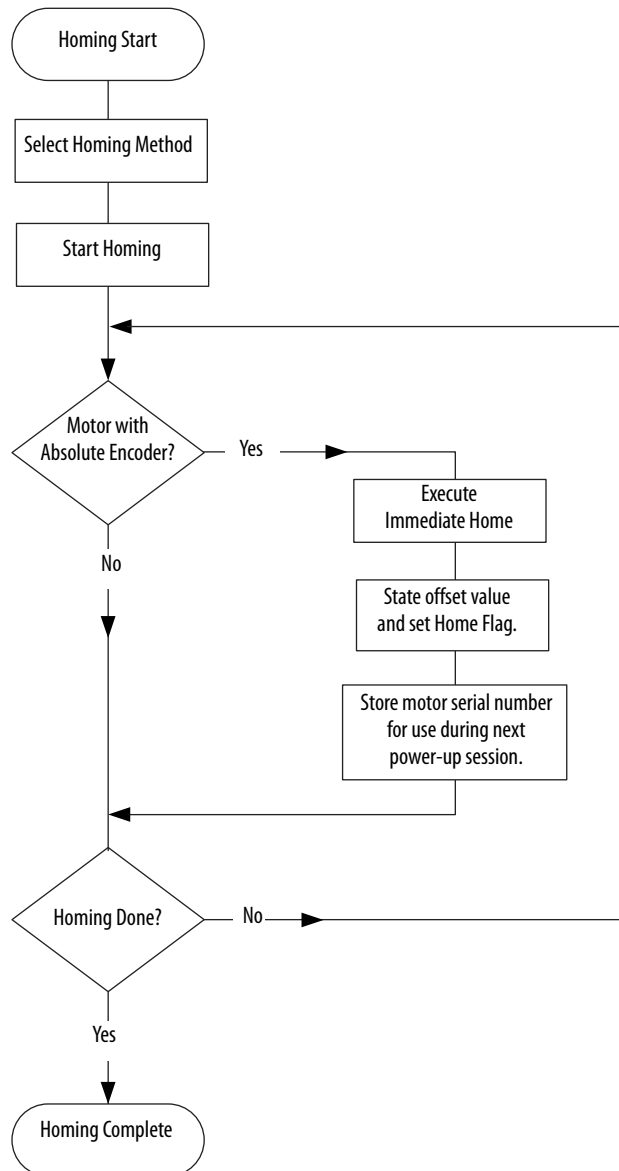
The home offset parameter is the difference between the zero-position for the application and the machine home-position (found during homing). Once homing is completed, the zero-position is offset from the home-position by adding the home offset to the home position. All subsequent absolute moves are taken relative to this new zero position.

## Homing Switch

The homing switch tag enables you to select the drive input used for the Home Switch connection. The Homing Switch Input Assignment range is 0...11. Inputs A1...A4 are assigned 0...3 respectively; inputs B1...B4 are assigned 4...7 respectively; and inputs C1...C4 are assigned 8...11 respectively. Do not assign to A1, A2, A3, or C3 as these inputs have predefined functions.

## Homing Firmware Algorithm

Figure 65 - Homing Algorithm Flowchart



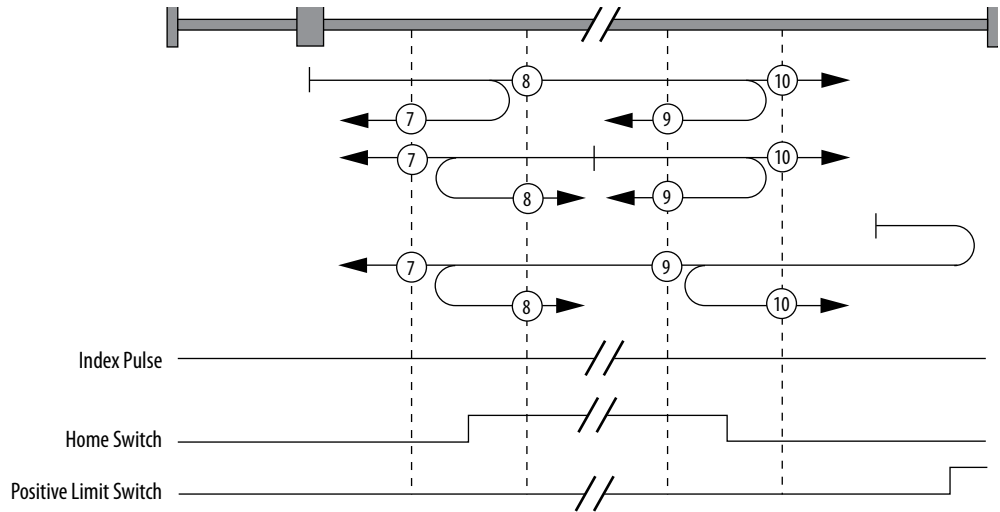
## Homing Methods Timing Diagrams

For a summary of the homing methods, see [Table 59 on page 115](#).

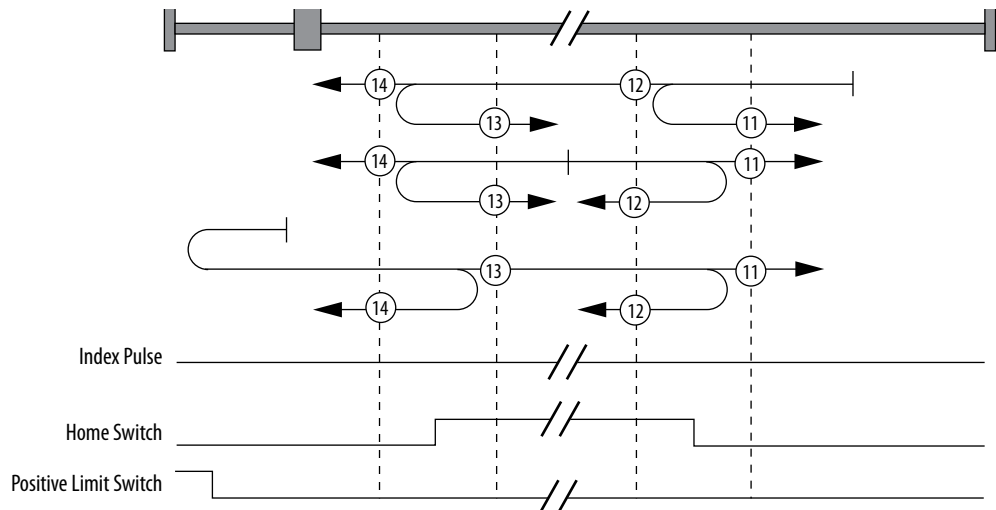
### Homing Methods 7...14

Homing methods 7...14 use a home switch that is active over only a portion of the travel. In effect, the switch has a momentary action as the axis position sweeps past the switch. Using methods 7...10, the initial direction of movement is forward and by using methods 11...14, the initial direction of movement is reverse, except if the home switch is active at the start of motion. In this case, the initial direction of motion is dependent on the edge being sought. The home position is at the index pulse on either side of the rising or falling edges of the home switch, as shown in the following two diagrams. If the initial direction of movement leads away from the home switch, the drive must reverse on encountering the relevant limit switch. All of these methods use the fast acceleration parameter.

**Figure 66 - Homing Methods 7...10 (forward initial move)**



**Figure 67 - Homing Methods 11...14 (reverse initial move)**



## Homing Method 23

Using this method, the initial direction of movement is forward (if the homing switch is inactive). The home position is the leading edge of the homing switch.

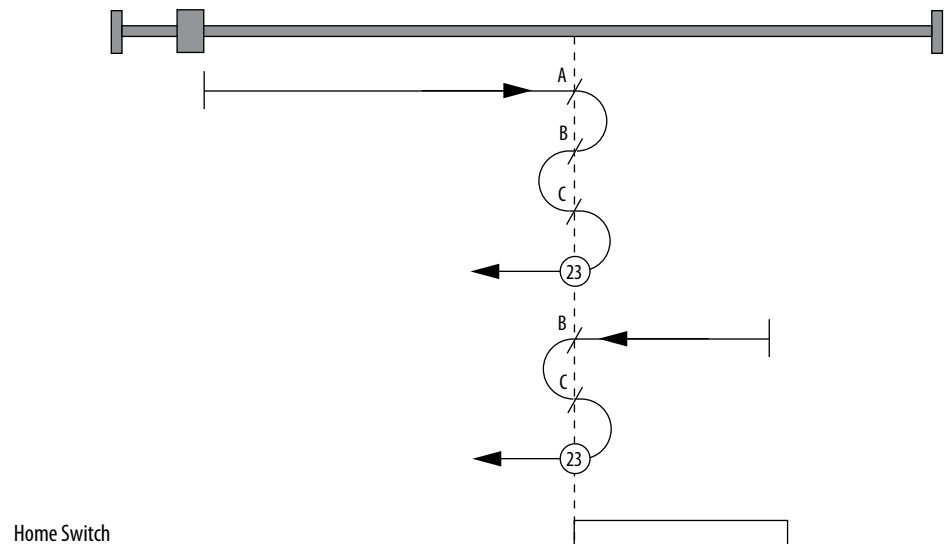
The axis accelerates to fast-homing velocity in the forward direction and motion continues until the homing switch is activated (rising edge) shown at position A. The axis decelerates to zero velocity.

If the homing switch is already active when the homing routine commences, then this initial move is not executed.

The axis accelerates to fast-homing velocity in the reverse direction and motion continues until the falling-edge of the homing switch is detected, (position B), where the axis decelerates to 0 velocity. The axis accelerates to slow-homing velocity in the forward direction and motion continues until the rising-edge of the homing switch is detected (position C), where the axis decelerates to 0 velocity. The axis accelerates to slow-homing velocity in the reverse direction and motion continues until the falling-edge of the homing switch is detected (position 23). This is the home position (excluding offset).

**TIP** If the axis is on the wrong side of the homing switch when homing is started, the axis moves forward until it contacts the positive limit switch. Upon activating the positive limit switch the axis changes direction (reverse), following the procedure detailed above, but ignoring the initial move in the forward direction.

**Figure 68 - Homing Method 23**



## Homing Method 25

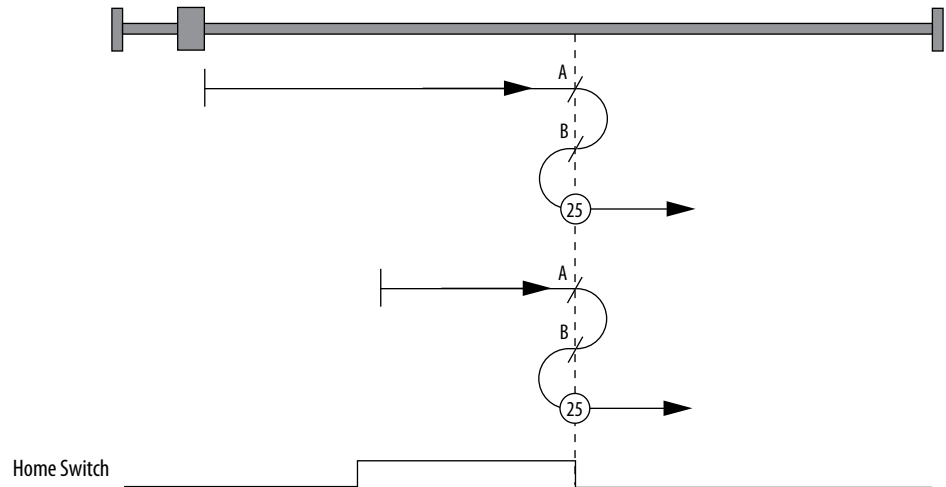
Using this method, the initial direction of movement is forward. The home position is the falling-edge of the homing switch.

The axis accelerates to fast-homing velocity in the forward direction and motion continues until the homing switch is deactivated (falling edge) shown at position A. The axis decelerates to zero velocity.

The axis accelerates to slow-homing velocity in the leftward direction. Motion continues until the rising-edge of the homing switch is detected (position B), where the axis decelerates to 0 velocity. The axis accelerates to slow-homing velocity in the rightward direction. Motion continues until the falling-edge of the homing switch is detected (position 25). This is the home position (excluding offset).

**TIP** If the axis is on the wrong side of the homing switch when homing is started, the axis moves forward until it contacts the positive limit switch (A2). Upon activating the positive limit switch the axis will change direction (reverse) continuing motion until it sees the rising edge of the homing switch. The axis stops and follows the procedure as detailed above.

Figure 69 - Homing Method 25



## Homing Method 27

Using this method, the initial direction of movement is reverse. The home position is the falling-edge of the homing switch.

The axis accelerates to fast-homing velocity in the reverse direction and motion continues until homing switch is deactivated (falling edge) shown at position A. The axis decelerates to zero velocity.

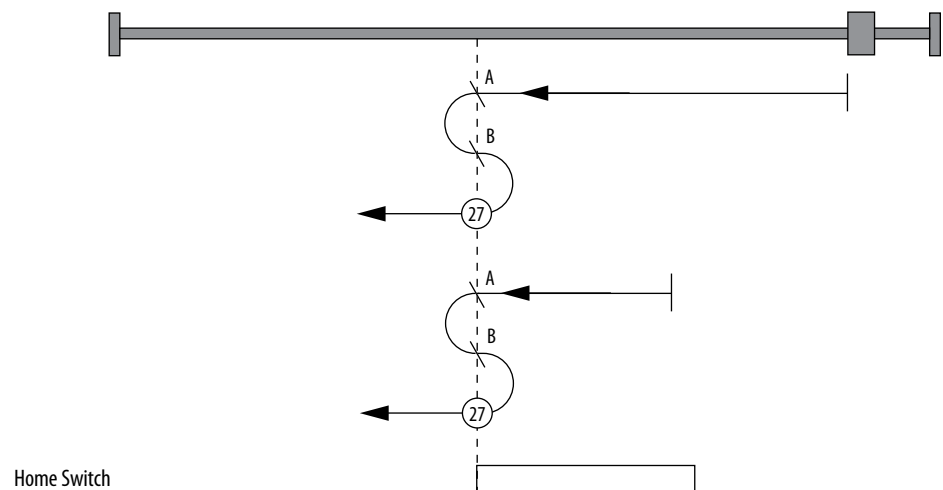


The axis accelerates to slow-homing velocity in the forward direction. Motion continues until the rising-edge of the homing switch is detected (position B), where the axis decelerates to 0 velocity.

The axis accelerates to slow-homing velocity in the reverse direction. Motion continues until the falling-edge of the homing switch is detected (position 27). This is the home position (excluding offset).

**TIP** If the axis is on the wrong side of the homing switch when homing is started, then the axis moves reverse until it contacts the negative limit switch (A1). Upon activating the negative limit switch the axis changes direction (forward) continuing motion until it sees the rising-edge of the homing switch. The axis stops and follows the procedure as detailed above.

**Figure 70 - Homing Method 27/Homing Method 29**



Using this method, the initial direction of movement is reverse (if the homing switch is inactive). The home position is the leading-edge of the homing switch.

The axis accelerates to fast-homing velocity in the leftward direction and continues until the homing switch is activated (rising edge) shown at position A. The axis decelerates to zero velocity. If the homing switch is already active when the homing routine commences, then this initial move is not executed.

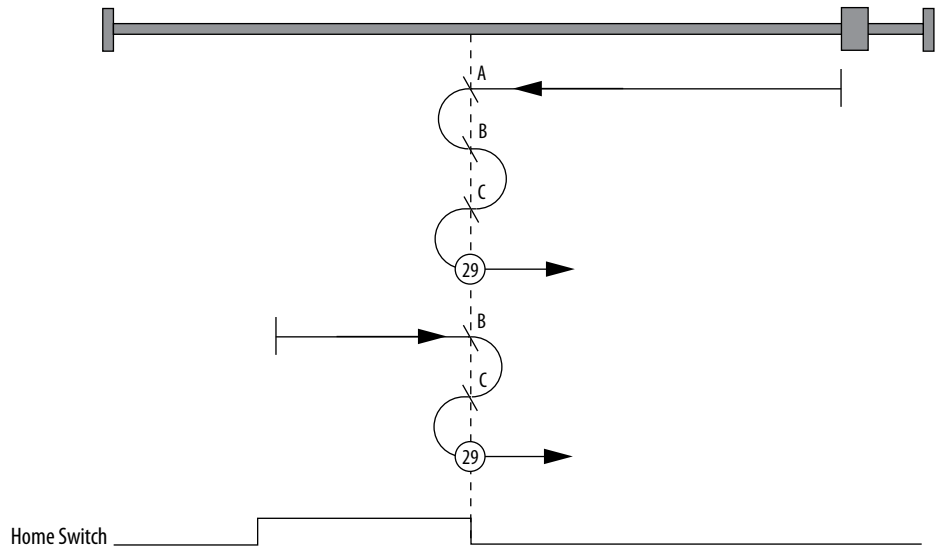
The axis accelerates to fast-homing velocity in the forward direction. Motion continues until the falling-edge of the homing switch is detected (position B), where the axis decelerates to 0 velocity.

The axis accelerates to slow-homing velocity in the reverse direction. Motion continues until the rising-edge of the homing switch is detected (position C), where the axis decelerates to 0 velocity.

The axis accelerates to slow-homing velocity in the rightward direction. Motion continues until the falling-edge of the homing switch is detected (position 29). This is the home position (excluding offset).

**TIP** If the axis is on the wrong side of the homing switch when homing is started, the axis moves reverse until it contacts the negative limit switch (A1). Upon activating the negative limit switch the axis will change direction (forward) following the procedure as detailed above, but ignoring the initial move in the reverse direction.

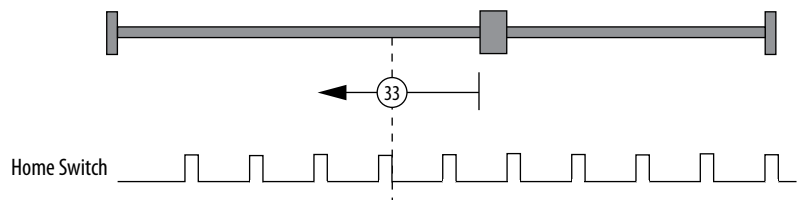
**Figure 71 - Homing Method 29**



### Homing Method 33

Using this method, the initial direction of movement is reverse. The home position is the first index pulse past the shaft starting position. The axis accelerates to fast-homing velocity in the reverse direction and continues until the rising-edge of the first index pulse (position 33) is detected.

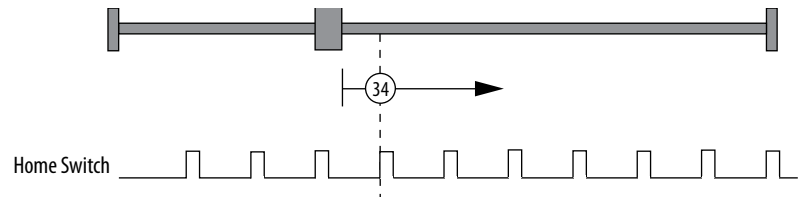
**Figure 72 - Homing Method 33**



## Homing Method 34

Using this method, the initial direction of movement is forward. The home position is the first index pulse past the shaft starting position. The axis accelerates to fast-homing velocity in the forward direction and continues until the rising-edge of the first index pulse (position 34) is detected.

**Figure 73 - Homing Method 34**



## Homing Method 35

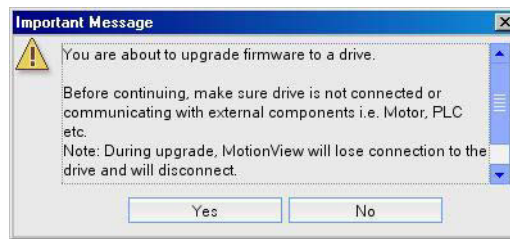
Using this method, the current position is assumed to be the home position. There is no motion of the motor shaft during this procedure. Any offset specified is added to the stored home position.

## Upgrade Firmware

Follow these steps to upgrade the firmware in your Kinetix 300 drive.

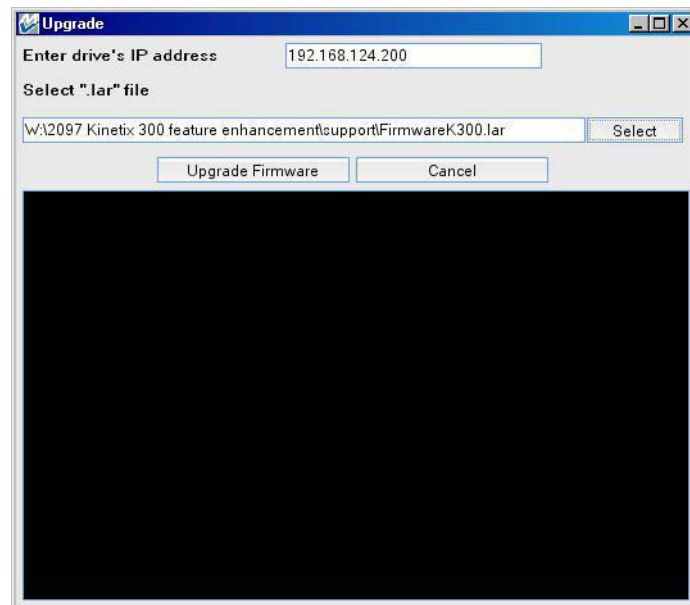
1. Obtain the latest firmware from <http://www.rockwellautomation.com/compatibility/>.
2. Run the MotionView software.
3. Click Upgrade.

This dialog box appears.



4. Comply with dialog box requests and click yes.

This dialog box appears.



5. Enter the IP address of the Kinetix 300 drive you intend to upgrade.
6. Navigate to the .lar file that you downloaded in step 1.
7. Click Upgrade Firmware.

Do not turn off power to the computer or the drive.





8. When the upgrade is finished, restart the drive.





Access the upgraded MotionView software by entering the drives IP address in a web browser.

## Configure and Start Up the Kinetix 300 Drive

<b>Topic</b>	<b>Page</b>
Keypad Input	126
Configure the Kinetix 300 Drive Ethernet IP Address	128
Configuring the Logix EtherNet/IP Module	132
Apply Power to the Kinetix 300 Drive	138
Test and Tune the Axis	139
Select Drive Operating Mode	142
Master Gearing Mode Examples	143
Configure the Drive Parameters and System Variables	145
Configure Drive Mode with Explicit Messaging	148
Configure Drive for Linear Motors and Direct Drive Stages	150

## Keypad Input

The Kinetix 300 drive is equipped with a diagnostic status indicator and three push buttons that are used to select displayed information and to edit a limited set of parameter values. You can scroll the parameters by using  . To view a value, press . To return to Scroll mode press  again.

When you press  on editable parameters, the yellow status indicator (C) blinks indicating that the parameter value can be changed. Use   to change the value. Press  to store the new setting and return to Scroll mode.

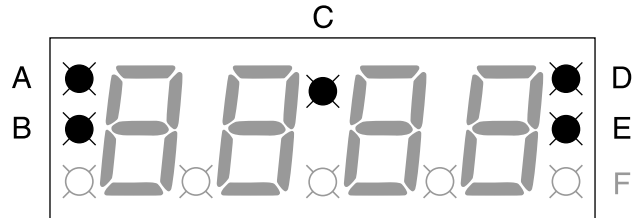
**Table 60 - Status Display Information**

Status Indicator	Description
StAt	Current drive status - run = drive running, diS = drive disabled, EXX = Drive fault, where XX is the fault code.
Hx.xx	Hardware revision. For example, H2.00.
Fx.xx	Firmware revision. For example, F2.06.
FLtS	Stored fault's history. You can scroll through stored faults E0XX...E7XX, where XX is the fault code.
Ht	Heatsink temperature. Heatsink temperature in is shown °C if greater than 40 °C. Otherwise 'LO (low) is displayed.
EnC	Encoder activity. Primary encoder counts are displayed for encoder diagnostics.
buS	Displays drive DC bus voltage.
Curr	Displays motor's phase current (RMS). Shows current value if drive is enabled, otherwise shows diS.
boot	0 = autostart disabled, 1 = autostart enabled.
dHCP	Ethernet DHCP Configuration: 0=dHCP is disabled; 1=dHCP is enabled.
IP_1	First octet of the IP address.
IP_2	Second octet of the IP address.
IP_3	Third octet of the IP address.
IP_4	Fourth octet of the IP address (changeable).

## Status Indicators

The Kinetix 300 drive has five status indicators located around the periphery of the front panel display as shown below. These status indicators used to monitor the system status, activity, and troubleshoot faults.

**Figure 74 - Front Panel Display**



**Figure 75 - Status Indicators**

Status Indicator	Function	Description
A	Enable	Orange status indicator means that the drive is enabled (running).
B	Regen	Yellow status indicator means the drive is in Regeneration mode.
C	Data entry	Yellow status indicator flashes when changing.
D	Drive fault	Red status indicator illuminates upon a drive fault.
E	Comm activity	Green status indicator flashes to indicate communication activity.

## Configure the Kinetix 300 Drive Ethernet IP Address

This section offers guidance on configuring your Ethernet connection to the Kinetix 300 drive.

**TIP** To run MotionView OnBoard on a Mac OS, run the personal computer emulation tool first.

### Ethernet Connection

Configuration, programming, and diagnostics of the Kinetix 300 drive are performed over the standard 10/100 Mbps Ethernet communication port by using the MotionView OnBoard software contained within the drive itself.

To access the MotionView OnBoard software, the Kinetix 300 drive and your personal computer must be configured to operate on the same Ethernet network. The IP addresses of the Kinetix 300 drive, the personal computer, or both drive and personal computer may require configuring to enable Ethernet communication between the two devices.

---

**IMPORTANT** Any changes made to Ethernet communication settings on the Kinetix 300 drive do not take effect until the drive is powered off and powered on again. The drive continues to use the previous settings until power is cycled.

---

**TIP** For personal computers with an Ethernet port that is used for a specific purpose, such as email or web browsing, it may be more convenient for you to add an Ethernet port to the personal computer.

Installing a USB/Ethernet dongle or a PCMCIA Ethernet card is an easy way to gain an additional port for communication to the Kinetix 300 drive.



### Kinetix 300 Drive Ethernet Port Configuration

The IP address of the Kinetix 300 drive is composed of four sub-octets that are separated by three dots to conform to the Class C Subnet structure. Valid configurations for sub-octets are between 001...254. The default IP address for any Kinetix 300 drive is 192.168.124.200.

There are two methods of changing the current IP address. An address can be assigned to the drive automatically (dynamic IP address) when the drive is connected to a DHCP (Dynamic Host Configuration Protocol) enabled server, or the drive can have an IP address assigned to it manually by the user (static IP address). Both methods of configuring the drives IP address are shown here.



## Current IP Address Ethernet Setting

The current Ethernet setting and IP address of the Kinetix 300 drive can be obtained from the drive display and keypad. Press  on the display and use  to access parameters IP\_1, IP\_2, IP\_3 and IP\_4. Each of these parameters contain one sub-octet of the full IP address, for example in the case of the drive default (factory set) address parameters:

IP\_1 = 192  
IP\_2 = 168  
IP\_3 = 124  
IP\_4 = 200



By accessing these four parameters the full IP address on the drive can be obtained.



If parameters IP\_1, IP\_2, IP\_3 and IP\_4 all contain '----' rather than a numerical values it means that the drive has DHCP enabled and the DHCP server is yet to assign the drive its dynamic IP address. As soon as an IP address is assigned by the server the address assigned is displayed by the drive in the above parameters. See Configure the IP Address Automatically (dynamic address) on [page 131](#).

## Configure the IP Address Manually (static address)

When connecting directly from the Kinetix 300 drive to the personal computer without a server or when connecting to a private network, where all devices have static IP addresses, assign the IP address of the Kinetix 300 manually.

To assign the address manually, disable the DHCP mode. Do this by using the drive keypad and following these steps.

1. Press .
2. Use  to access parameter DHCP.
3. Verify DHCP parameter is set to a value of 0.

If the DHCP parameter is set to 1, use  and  to change the value to 0.

4. Cycle power to the drive.

The change takes effect.

When DHCP is disabled and power cycled to the drive, it reverts to the previous static IP address.

If you are connecting more than one drive to the personal computer, create a unique IP address for each drive. Do this by using the keypad on each drive to change the IP\_4 parameter. IP\_4 is the only octet that can be changed via the

keypad. IP\_1, IP2, and IP\_3 are read-only accessed this way. The drive power must be cycled for any changes to take effect.

To configure the Kinetix 300 drive for a specific subnet or change its full IP address, use the MotionView configuration tool.

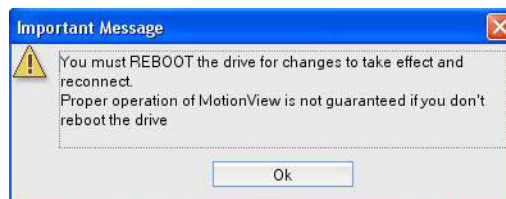
1. Run a Java enabled web browser.
2. Enter the drive's current IP address into the browser.  
MotionView OnBoard dialog box opens.
3. Click Run.
4. Click Connect.
5. Enter the drive's IP address.
6. Click Connect.
7. From the Drive Organizer, select Communications>Ethernet.

The IP address, subnet mask, and default gateway address can be edited in this screen. If the text turns red when entered, the values or format used are invalid and they are not applied.







8. Click Obtain IP Address using DHCP, to enable DHCP.
9. To disable DHCP, click DHCP again.
10. Cycle power to make changes to take effect.

The first time you change an Ethernet parameter, the following dialog box opens. Click OK and cycle power for changes to take effect.



## Configure the IP Address Automatically (dynamic address)

When connecting a Kinetix 300 drive to a network domain with a DHCP enabled server the IP address of the Kinetix 300 drive is assigned automatically. To have the address assigned automatically the drive must have its DHCP mode enabled. Follow these steps by using the drive keypad and display.

1. Press .
2. Use  to access parameter DHCP.
3. Check this parameter is set to 1.
4. If the DHCP parameter is set to 0, use  and  to change the parameter setting to 1.
5. Cycle power to the drive to make this change take effect.

When the Kinetix 300 drive is waiting for an IP address to be assigned to it by the server it displays '---' in each of the four octet parameters (IP\_1, IP\_2, IP\_3, and IP\_4) on its display. Once the address is assigned by the server it appears in these parameters. If this parameter continues to display '---' then it is likely that a connection between the drive and server has not been established, or the server is not DHCP enabled.

DHCP can be enabled through the MotionView software. If you choose to configure the drive by using a manual (static) IP address, you can switch over to an automatic (dynamic) address once configuration is complete. See [Current IP Address Ethernet Setting](#) on [page 129](#) for information on enabling DHCP from within the MotionView software.

**TIP** A useful feature of the MotionView software and communication interface to the Kinetix 300 drive is the ability to assign the drive a name (text string). This name can then be used to discover the drives IP address and is useful when the drive has its IP address assigned automatically by the server for easy connection.

## Add-on Profiles

To select Kinetix 300 drives in RSLogix 5000 software, version 17, you must load Add-on Profiles from [www.ab.com](http://www.ab.com).



To navigate to the Add-on Profiles, follow this path:

- Technical Support
- Software Updates, Firmware and Other Downloads
- RSLogix 5000 I/O Modules Add-On-Profiles

You will be required to establish a login and provide the serial number of your drive to access the download file.

## Configuring the Logix EtherNet/IP Module

This procedure assumes that you have wired your Kinetix 300 drive.

---

**IMPORTANT** For the Kinetix 300 drive to communicate with the Ethernet network module, your RSLogix 5000 software must be version 17 or later.

---

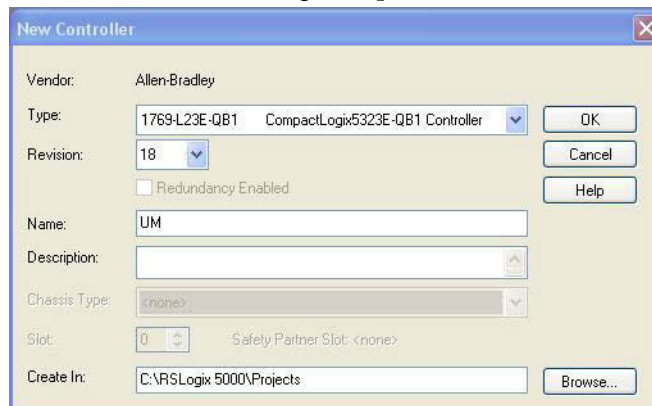
For help using RSLogix 5000 software as it applies to configuring the ControlLogix, CompactLogix, or SoftLogix™ EtherNet/IP modules, See [Additional Resources](#) on [page 12](#).

### Configure the Logix Controller

Follow these steps to configure the Logix controller.

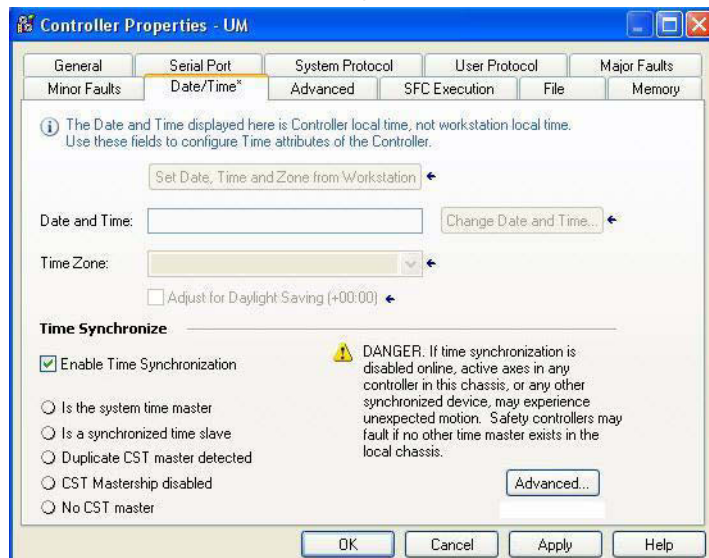
1. Apply power to your Logix chassis containing the Ethernet interface module/PCI card and open your RSLogix 5000 software.
2. From the File menu, choose New.

The New Controller dialog box opens.



3. Configure the new controller.
  - a. From the Type pull-down menu, choose your controller type.  
In this example, the CompactLogix L23E-QB1 controller is chosen.
  - b. Enter your RSLogix 5000 software version.
  - c. From the Chassis Type pull-down menu, choose your chassis.  
This step applies only for ControlLogix controllers.
  - d. Enter the slot where your module resides (leftmost slot = 0).  
This step applies only for ControlLogix controllers.
  - e. Name the file.
4. Click OK.
5. From the Edit menu, choose Controller Properties.

The Controller Properties dialog box opens.



6. Click the Date and Time tab.
7. Check the box Make this controller the Coordinated System Time master.

---

**IMPORTANT** You can assign only one ControlLogix controller as the Coordinated System Time master.

---

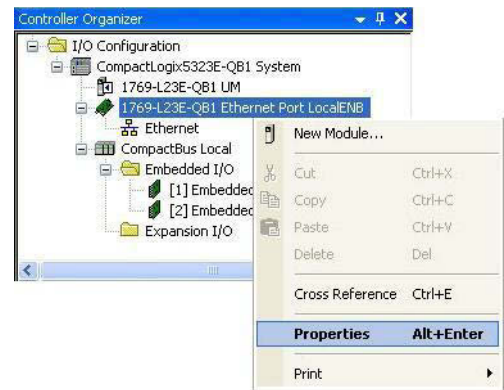
8. Click OK.

## Configure the Ethernet Port

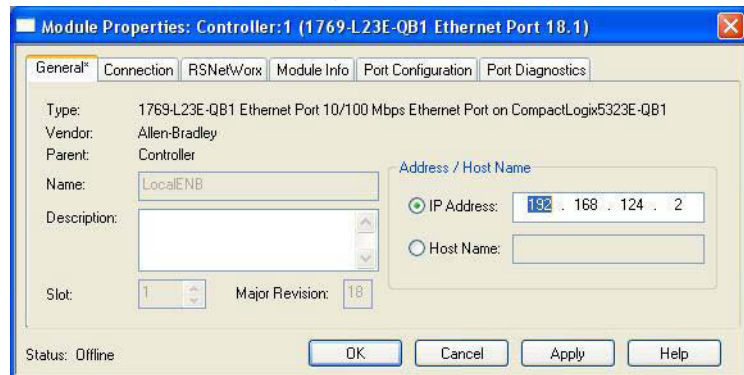
This section applies when the CompactLogix controller, catalog number 1769-L23E-QB1, is used.

Follow these steps to configure the Ethernet port.

1. Right-click the embedded 1769-L23E-QB1 Ethernet port and choose Properties.



The Module Properties dialog box opens.



2. Enter the IP address of the Ethernet port.

In this example, the IP address is 192.168.124.2. This is the controller Ethernet address, not the drive Ethernet address.

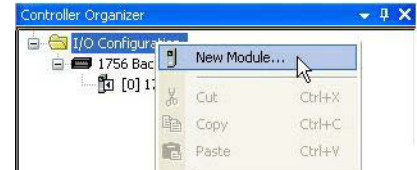
3. Click OK.

## Configure the Ethernet Module

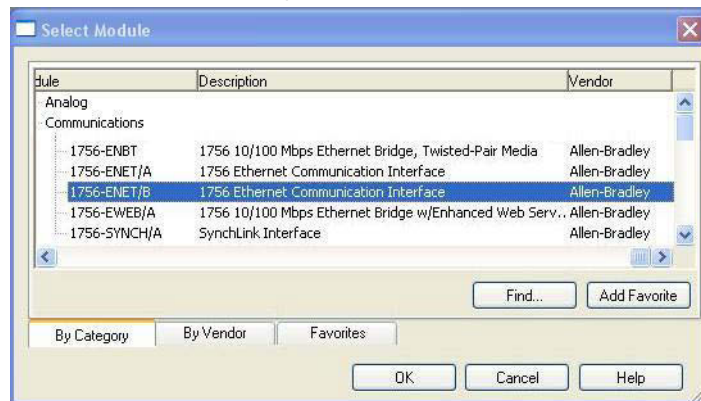
This section applies when the ControlLogix controller, catalog number 1756-ENET/B, is used.

Follow these steps to configure the Ethernet module.

1. Right-click I/O Configuration in the Controller Organizer and choose New Module.



The Select Module dialog box opens.

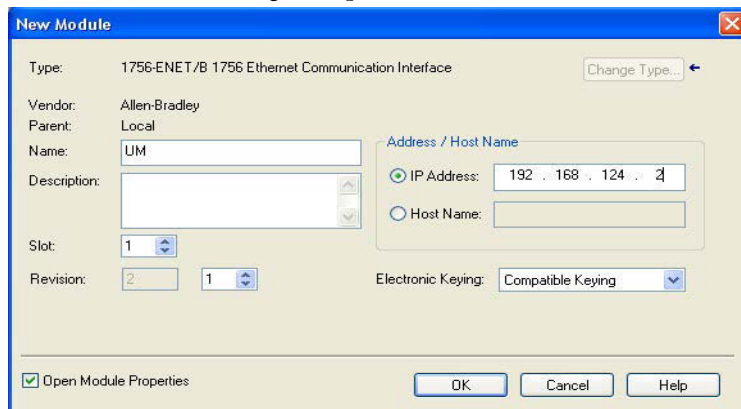


2. Expand the Communications category and select 1756-Exx/x appropriate for your actual hardware configuration.

In this example, the 1756-ENET/B module is chosen.

3. Click OK.

The New Module dialog box opens.

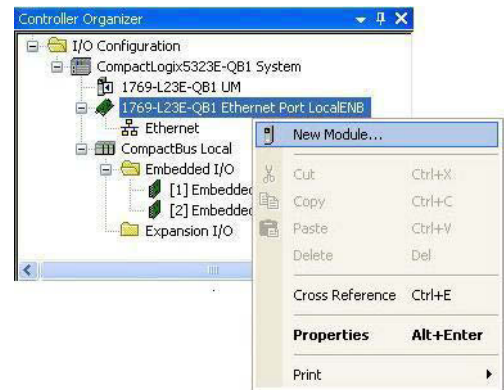


4. Configure the new module.
  - a. Name the module.
  - b. Enter the IP address of the Ethernet module.  
 In this example, the IP address is 192.168.124.2. This is the controller Ethernet address, not the drive Ethernet address.
  - c. Enter the slot where your module resides (leftmost slot = 0).
5. Click OK.

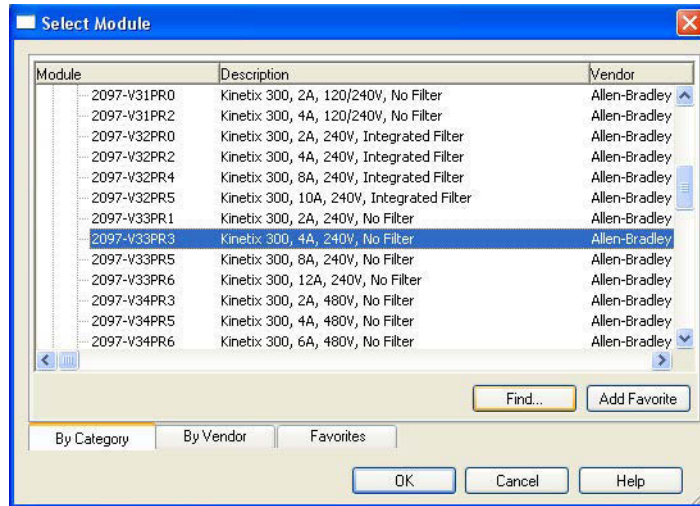
### Configure the Kinetix 300 Drive

Follow these steps to configure the Kinetix 300 drive.

1. Right-click the embedded 1769-L23E Ethernet port and choose New Module.



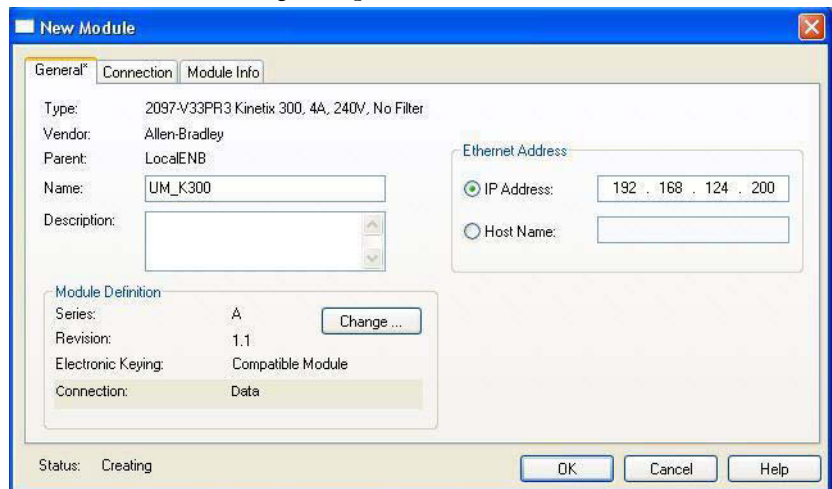
The Select Module dialog box opens.



2. Expand the Drives category and select your Bulletin 2097 drive as appropriate for your hardware configuration.  
 In this example, the 2097-V33PR3 drive is selected.
3. Click OK.



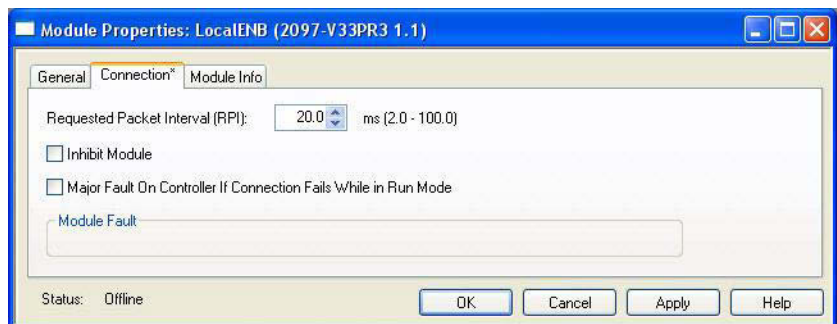
The New Module dialog box opens.



4. Configure the new module.
  - a. Name the module.
  - b. Set the drive Ethernet address.

Set the Ethernet address in the software to match the Ethernet address scrolling on the drive. See [Current IP Address Ethernet Setting](#) on [page 129](#).

5. Click the Connection tab.



6. Configure the Requested Packet Interval (RPI) for your application.  
The default setting is 20 ms. Yours could be different.
7. Click Ok.

## Download the Program

After completing the Logix configuration you must download your program to the Logix processor.

## Apply Power to the Kinetix 300 Drive

This procedure assumes that you have wired and configured your Kinetix 300 drive system and your Ethernet/IP interface module.



To avoid hazard of electrical shock, perform all mounting and wiring of the Bulletin 2097 drive before applying power. Once power is applied, connector terminals may have voltage present even when not in use.

Follow these steps to apply power to the Kinetix 300 drive system.

1. Disconnect the load to the motor.

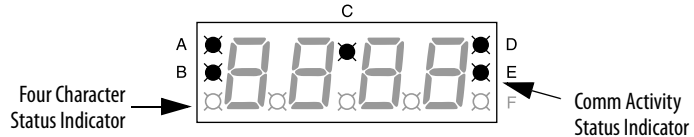


**ATTENTION:** To avoid personal injury or damage to equipment, disconnect the load to the motor. Make sure each motor is free of all linkages when initially applying power to the system.

2. Determine the source of the drive logic power.

If Your Logic Power	Then
Is from (24V DC) back-up power	Apply (24V DC) back-up power to the drive (BP connector).
Is from Mains input power	Apply mains input power to the drive (IPD connector).

3. Apply mains input power to the Kinetix 300 drive IPD connector.
4. Observe the four character status indicator.



If the status indicator is	Then
diS	Go to <a href="#">step 5</a>
Blank	Go back to main <a href="#">step 2</a>

5. Determine the source of logic power.

If Your Logic Power	Then
Is from (24V DC) back-up power	Apply mains input power to the drive (IPD connector)
Mains input power	Go to <a href="#">step 6</a>

6. Verify that Hardware Enable Input signal IOD connector pin 29 is at 0V.
7. Observe the status indicator on the front of the Kinetix 300 drive.

Status Indicator	Condition	Status	Do This
Drive Fault	Off	Normal condition	Observe the Comm Activity, status indicator E.
	Steady red	Drive is faulted	Go to <a href="#">Status Indicators</a> on <a href="#">page 127</a> .
Comm Activity	Flashing	Communication is ready	Go to Test and Tune the Axis on <a href="#">page 139</a> .
	Off	No communication	Go to <a href="#">Status Indicators</a> on <a href="#">page 127</a> .

## Test and Tune the Axis

This procedure assumes that you have configured your Kinetix 300 drive, your Logix Ethernet module, and applied power to the system.

---

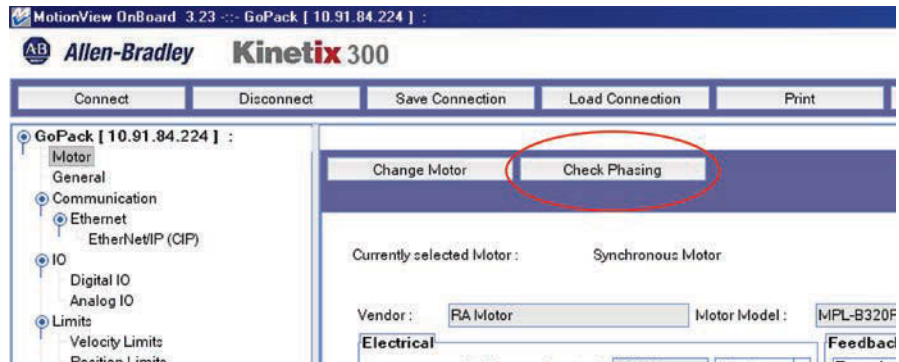
**IMPORTANT** Before proceeding with testing and tuning your axis, verify that the Kinetix 300 drive status indicators are operating as described in [step 7](#) on [page 138](#).

---

### Test the Axis

This procedure applies only to motors with incremental encoders. When using motors with absolute encoders skip to [Tune the Axis](#). Follow these steps to test the axis.

1. Verify the load was removed from each axis.
2. Run the MotionView OnBoard software.
3. Select the Motor category.
4. Click Check Phasing.



5. Apply Enable Input signal (IOD-29) for the axis you are testing.



**ATTENTION:** To avoid personal injury or damage to equipment, apply Enable Input (IOD-29) only to the axis you are testing.

6. Click Start Autophasing.
7. Determine if your test completed successfully.

If	Then
Your test completed successfully and dialog box opens that states motor is phased correctly.	<ol style="list-style-type: none"> <li>1. Click Ok.</li> <li>2. Remove Enable Input signal.</li> <li>3. Go to <a href="#">Tune the Axis</a> on <a href="#">page 140</a>.</li> </ol>
Your test did not complete successfully.	<ol style="list-style-type: none"> <li>1. Click Ok.</li> <li>2. Verify that the Enable Input signal is applied to the axis you are testing.</li> <li>3. Verify the motor feedback is wired as required.</li> <li>4. Return to main <a href="#">step 6</a> and run the test again.</li> </ol>

## Tune the Axis

Follow these steps to tune the axes.

1. Verify the load is removed from the axis you want to tune.



**ATTENTION:** To reduce the possibility of unpredictable motor response tune your motor with the load removed first, then re-attach the load and preform the tuning procedure again to provide an accurate operational response.

2. Run the MotionView OnBoard software.
3. Select General.
4. From the Drive Mode pull-down menu, choose Auto Tune.
5. Select Dynamics.

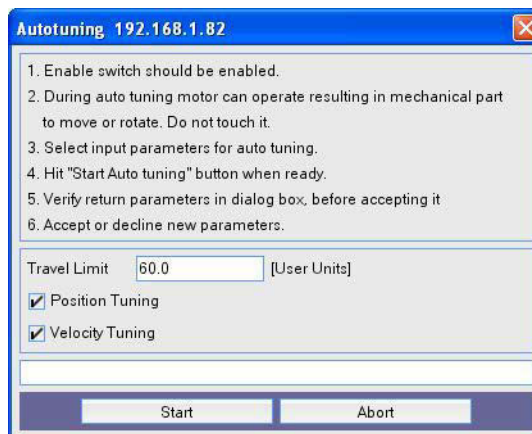
The current velocity and position gains, position limit, and scaling are displayed.

6. If you are using an linear incremental encoder with a resolution greater than one micron, do the following. Otherwise continue with the next step.
  - a. Set FeedBack Filter to Yes.
  - b. Set the time constant to 1 ms.

**TIP** To reduce the audible noise when a LDAT-Series linear thruster with an absolute encoder option is under servo control, we recommend that you use a low-pass filter with the cut-off frequency set to 150 Hz. You can set up the filter in the Dynamics category.

7. Click Autotuning.

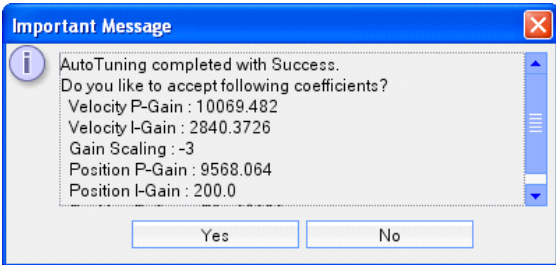
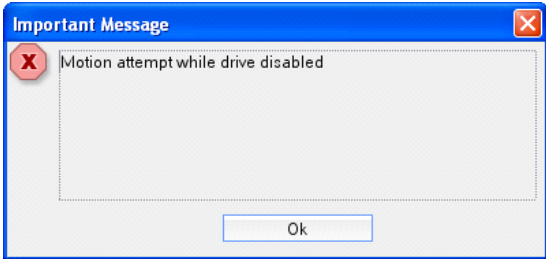
The Autotuning dialog box opens.



8. Check desired Tuning boxes (Velocity/Position or both).
9. Enter the Travel Limit.

This is the maximum distance in User Units that the motor shaft or actuator can safely travel during the tuning procedure

10. Apply Enable Input signal for the axis you are tuning.
11. To enable the axis, set the DriveEn bit in RSLogix 5000 software for the axis being tuned.
12. Click Start.  
The Tune gains dialog box opens.
13. Click Yes.
14. Determine if your test completed successfully.

If	Then
<p>Your test completed successfully, this dialog box opens.</p> 	<ol style="list-style-type: none"> <li>1. Click Yes.</li> <li>2. Remove Enable Input signal.</li> <li>3. Go to <a href="#">step 16</a>.</li> </ol>
<p>Your test did not complete successfully, this dialog box opens.</p> 	<ol style="list-style-type: none"> <li>1. Click Ok.</li> <li>2. Verify that the Enable Input signal is applied to the axis you are testing.</li> <li>3. Verify the motor feedback is wired as required.</li> <li>4. Verify the safe torque-off is wired correctly.</li> <li>5. Return to main <a href="#">step 6</a> and run the test again.</li> </ol>

15. Check that the Position Error is in the range of 25...40 mm for safest operation
16. Select General.
17. From the Drive Mode pull-down menu, choose the mode you desire.

**TIP** If motion performance is not what you expected after tuning the drive, several filters are available to improve performance. These filters are configured from the Dynamics view of the MotionView software and their placement within the servo loops are shown in the figure on [page 98](#).

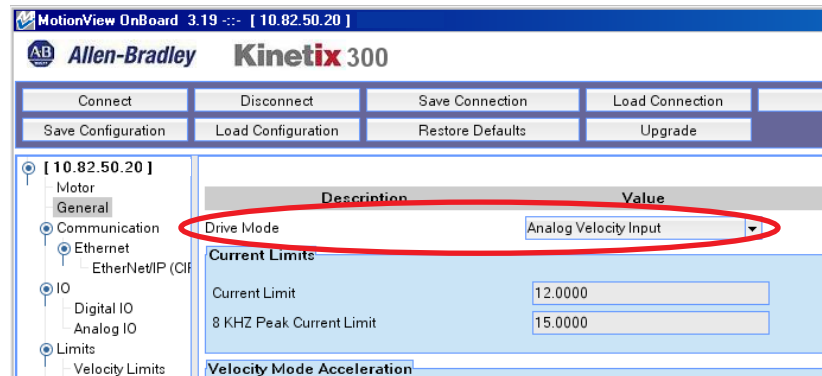
## Select Drive Operating Mode

This procedure assumes that you have configured your Kinetix 300 drive, your Logix Ethernet module, and applied power to the drive.

The drive operating mode determines the command source for the drive. You can configure the drive from MotionView software or by Explicit Messaging, instance 266, to the drive object.

Follow these steps to select the drive operating mode by using MotionView software.

1. Verify the load was removed from each axis.
2. Run the MotionView software.
3. From the Drive Organizer, select General.
4. From the Drive Mode pull-down menu, choose your drive mode.



**Table 61 - Available Drive Modes**

Mode	Drive Object Value
Auto Tune	0
EtherNet/IP External Reference	1
Master Gearing	2
Step and Direction	3
Analog Velocity Input	4
Analog Current Input	5
Indexing	6

## Master Gearing Mode Examples

When using a Bulletin MPL encoder for master gearing, the Kinetix 300 planner treats the 128 and 1024 pulse encoders as having 262,144 interpolated counts per revolution for the purpose of calculating the gearing ratios.

User units in the MotionView software, General category, is not used in Master Gearing mode, therefore any transmission ratio besides 1:1 needs to be configured in the master-to-system units.

### Master Gearing Example 1

A Bulletin MPL multi-turn motor is connected to the slave drive and outputs 128 pulses per revolution (ppr). A master encoder outputs 128 ppr TTL to the master gearing inputs on the Kinetix 300 slave drive. A 1:1 master encoder to motor revolution is required.

The drive interpolated counts are 262,144 counts/rev and the master encoder is  $128 \times 4$  (512) counts/rev. The [Master] parameter is 1 and the [System] parameter is  $262,144/512$  or 512.

### Master Gearing Example 2

A Bulletin MPL multi-turn motor is connected to the slave drive and outputs 1024 ppr. A master encoder outputs 2048 ppr TTL to the master gearing inputs on the Kinetix 300 slave drive. A 1:1 master encoder to motor revolution is required.

The drive interpolated counts are 262,144 counts/rev and the master encoder is  $2048 \times 4$  (8192) counts/rev. The [Master] parameter is 1 and the [System] parameter is  $262,144/8192$  or 32.

### Master Gearing Example 3

The same configuration as used in example 2 exists, however, the slave motor that generates the 1024 ppr is connected to a 5:1 gear box. Therefore, 1 revolution of the gear box requires 5 motor revolutions.

The drive interpolated counts are 262,144 counts/rev  $\times$  5 motor rev/1 output gear box revolution. The master encoder is  $2048 \times 4$  (8192) counts/rev. The [Master] parameter is 1 and the [System] parameter is  $262,144 \times 5/8192$  or 160.

### Configure Master Gearing Mode

This procedure assumes that you have configured your Kinetix 300 drive for Master Gearing mode, configured your Logix Ethernet module, and applied power to the system.

Follow these steps to configure the master gearing ratio.

1. Run the MotionView software.
2. From the Drive Organizer, click General.

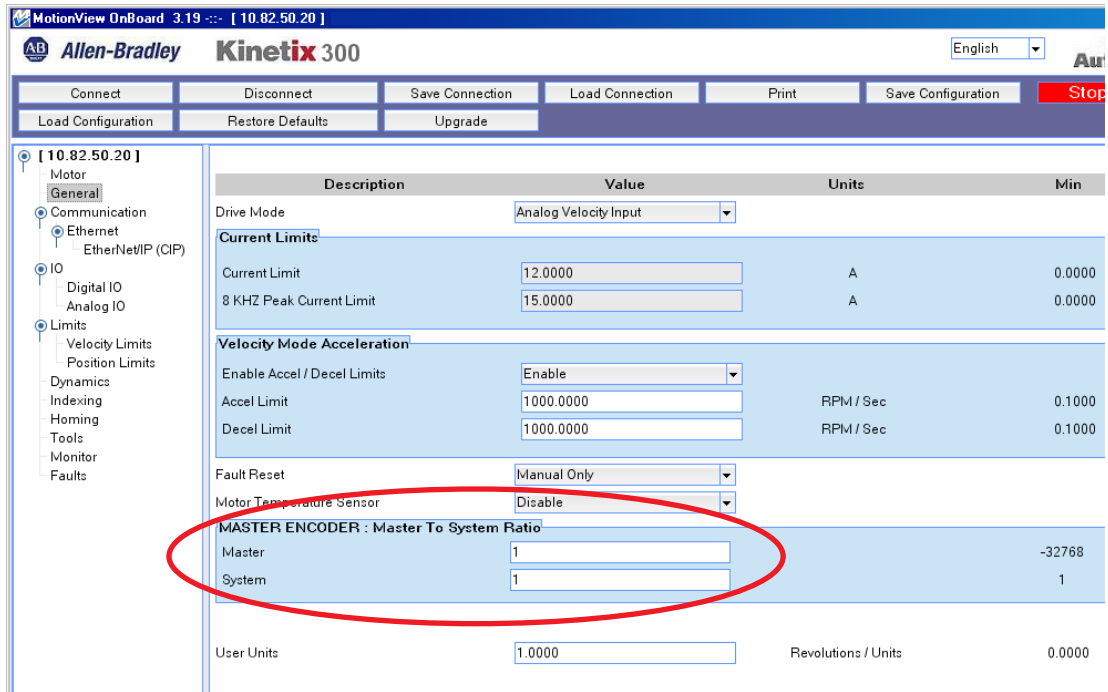
**IMPORTANT** The buffered output is supported only for use with incremental encoder motor feedback. SICK-Stegmann or Tamagawa high-resolution motor feedback must not be used on the master drive because they are not capable of generating buffered encoder output pulses. Conversely, the master gearing input supports only incremental encoder inputs.

3. Determine the ratio of buffered encoder output counts to the number of system motor counts.

See the examples on [page 143](#).

4. Enter the values into the Master and System ratio fields.

Use a negative value in the Master field to reverse the relative direction of the of the drive compared to the master.





## Configure the Drive Parameters and System Variables

This section provides information for accessing and changing parameters not accessible through RSLogix 5000 software.

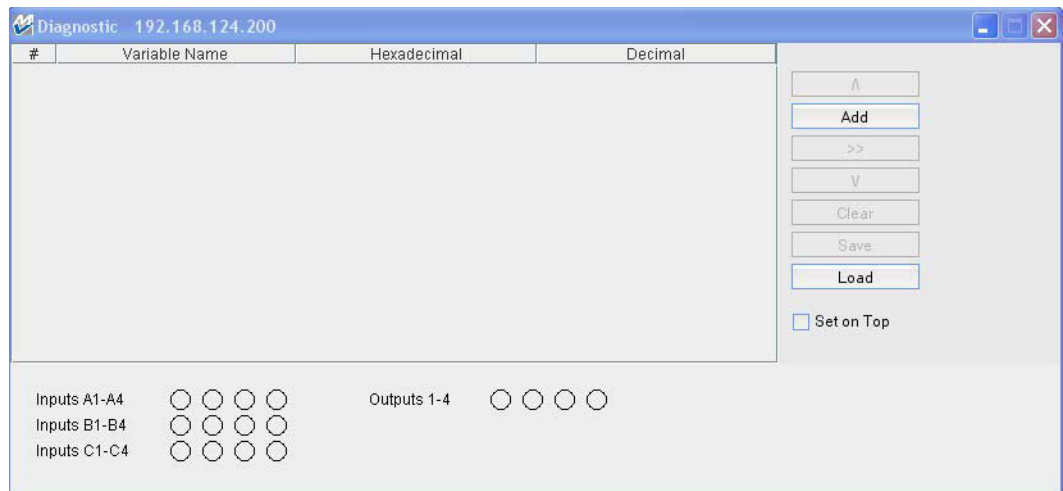
### Tools for Viewing Parameters

Follow these steps to view parameters.

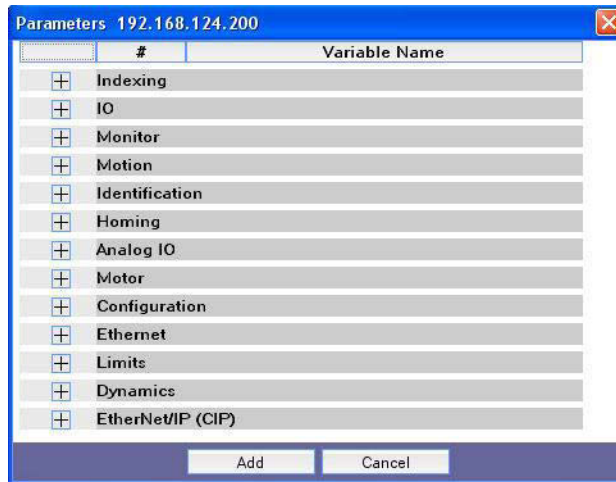
1. From MotionView software, click Tools.



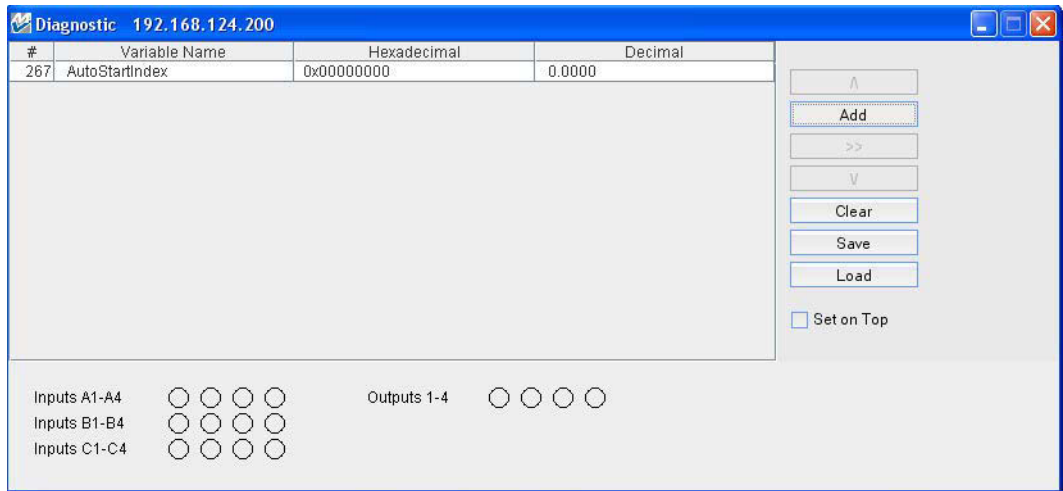
2. Click Parameter>IO View.



3. Click Add to add a parameter to the viewer.



4. Select a parameter from within the tree structure.



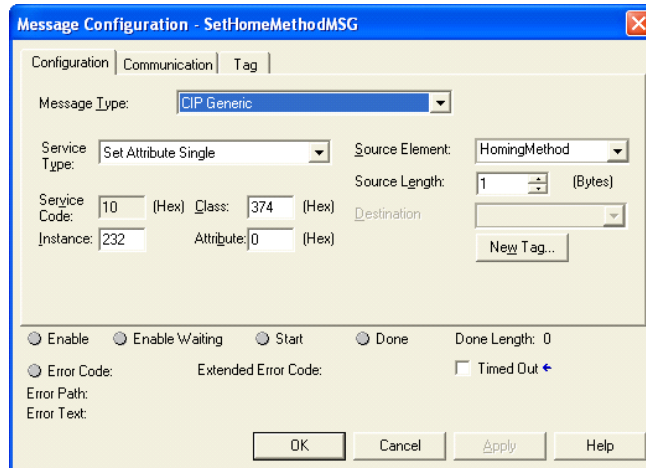
5. Click Add.

## Tools for Changing Parameters

Some parameters are accessible through RSLogix 5000 software. The alternative is to use Explicit Messaging from the Ethernet module.

Follow these steps to change parameters by using Explicit Messaging.

1. Create a Set Attribute Single MSG instruction in the ladder logic program.



2. Use a Class value of 374 (Hex).
3. Use the ID of the parameter as listed in [Appendix C](#) as the Instance.
4. Use the Attribute value to reflect the format of the value and the nonvolatile status of the value.

Attribute	Format	Memory Stored In
0	32-bit integer	Volatile
1	32-bit integer	Nonvolatile
2	32-bit floating point	Volatile
3	32-bit floating point	Nonvolatile
4	String	Volatile
5	String	Nonvolatile

## Configure Drive Mode with Explicit Messaging

These Kinetix 300 drive modes can be set via explicit messaging:

- Master Gearing
- Step and Direction
- Analog Velocity
- Analog Current
- Indexing

Set the drive mode by entering the parameters from the appropriate table via EtherNet/IP Explicit Messaging or through the MotionView software. For Indexing mode see [page 101](#).

**Table 62 - Master Gearing**

ID	Parameter Name	Description	Value
266	Drive Mode	Set to Master Gearing	2
79	M2SRatioMaster	Master to system ratio (master counts)	Range: -32767 ... 32767
80	M2SRatioSystem	Master to system ratio denominator (system counts)	Range: 1 ... 32767
29	EnableSwitchType	Enable switch function	0 = Inhibit only 1 = Enable as soon as asserted

---

**IMPORTANT** Do not set parameter 80 to 0 or unexpected motion will occur.

---

**Table 63 - Step and Direction**

ID	Parameter Name	Description	Value
266	Drive Mode	Set to Step and Direction	3
79	M2SRatioMaster	Master to system ratio numerator (master counts)	Range: -32767 ... 32767
29	EnableSwitchType	Enable switch function	0 = Inhibit only 1 = Enable as soon as asserted

**Table 64 - Analog Velocity**

ID	Parameter Name	Description	Value
266	Drive Mode	Set to Analog Velocity	4
36	VelocityScale	Analog input velocity reference scale: Velocity = Vinput x VelocityScale	Range: -10000 . . . 10000 rpm/V
76	AccelLimit	Accel value for Velocity mode	Range: 0.1 . . . 5,000,000 UU/s
77	DecelLimit	Decel value for Velocity mode	Range: 0.1 . . . 5,000,000 UU/s
75	EnableVelAccDec	Enable Accel/Decel function for Velocity mode	0 = Disable 1 = Enable
89	AnalogInput1Deadband	Analog input dead-band. Applied when used as a velocity reference.	Range: 0 . . . 100 mV
90	AnalogInput1Offset	Analog input offset. Applied when used as current/velocity reference.	Range: -10,000 . . . 10,000
85	AnalogOutFunction	Analog output function	0 = Not assigned 1 = Phase current (rms) 2 = Phase current (peak value) 3 = Motor velocity 4 = Phase current R 5 = Phase current S 6 = Phase current T 7 = Iq current 8 = Id current
86	AnalogOutVelocityScale	Analog output scale for velocity quantities	Range: 0 . . . 10 mV/rpm
29	EnableSwitchType	Enable switch function	0 = Inhibit only 1 = Enable as soon as asserted

**Table 65 - Analog Current**

ID	Parameter Name	Description	Value
266	Drive Mode	Set to Analog Current	5
35	CurrentScale	Current scale	Range: -X . . . +X Amps/Volt X = drive peak output current/10
89	AnalogInput1Deadband	Analog input dead-band. Applied when used as a velocity reference.	Range: 0 . . . 100 mV
90	AnalogInput1Offset	Analog input offset. Applied when used as current/velocity reference.	Range: -10,000 . . . 10,000
85	AnalogOutFunction	Analog output function	0 = Not assigned 1 = Phase current (rms) 2 = Phase current (peak value) 3 = Motor velocity 4 = Phase current R 5 = Phase current S 6 = Phase current T 7 = Iq current 8 = Id current
87	AnalogOutCurrentScale	Analog output scale for current related quantities.	Range: 0 . . . 10V/A
29	EnableSwitchType	Enable switch function	0 = Inhibit only 1 = Enable as soon as asserted

## Configure Drive for Linear Motors and Direct Drive Stages

Use this section to configure your Kinetix 300 drive for use with linear motor and linear stages.

### Motor Temperature Sensor

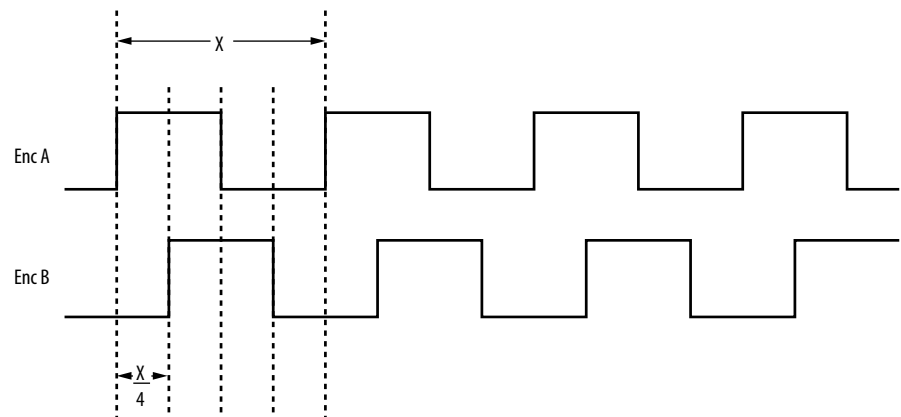
For LDAT-Series linear thrusters, LDL-Series™ and LDC-Series™ linear motors and MPAS-Series linear stages, do the following.

1. Run MotionView software.
2. Click General Category.
3. Set Motor Temperature Sensor to Enable.

### Understanding Encoder Resolution Setting

[Figure 76](#) shows the relationship of Resolution (x1) and Resolution (x4).

**Figure 76 - Relationship between Resolution (1x) and Resolution (4x)**



Here is a simple example.

---

**EXAMPLE** If Resolution (x1) = 4  $\mu\text{m}$ , then Resolution (x4) = 1  $\mu\text{m}$

---

## Change the Encoder Resolution for an Incremental Encoder

The encoder resolution defaults to 5  $\mu\text{m}$  per encoder count. If you must change the resolution, do this.

1. Run the MotionView software.
2. From the Drive Organizer, click Motor.
3. Click Change Motor.
4. Click Custom Motor.
5. Click Create Custom.
6. Create a Vendor Name.

---

**EXAMPLE** AB Custom

---

7. Create a Motor Model.

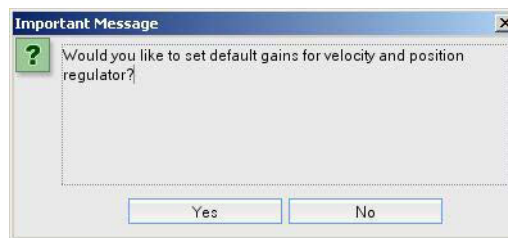
---

**EXAMPLE** LDC-c030100DHT1u

---

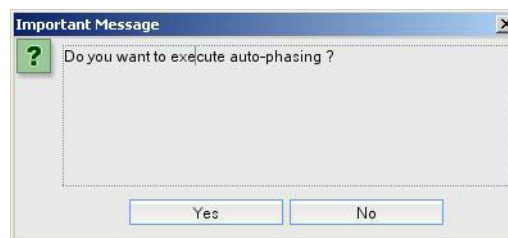
8. Enter either the Resolution (x1) or the Resolution (x4) value.
9. Click Save File.
10. Enter <filename>.cmt.xml.
11. Click Update Drive.

This important message appears.



12. Answer yes or no according to your motor needs.

This important message appears.

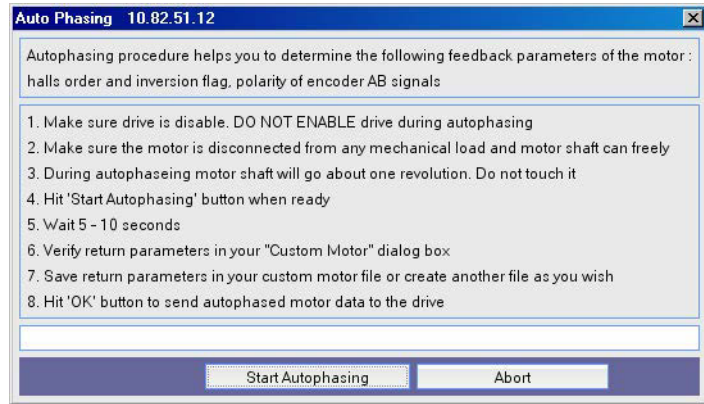



---

**IMPORTANT** We recommended you do auto-phasing when commissioning new motors and wiring.

---

If you choose auto phasing, the following appears.



13. Follow the instructions in the dialog box.

If your system is wired by using one of the interconnect diagrams in [Appendix A](#), then you get the following results.

Parameter	Value
Resolution (x1)	20 μm
Resolution (x4)	5 μm
Halls order	3
Inverted	Checked
B lead A for forward	Unchecked



---

## Troubleshooting the Kinetix 300 Drive System

Topic	Page
Safety Precautions	153
General Troubleshooting	154
Clearing Faults	157

### Safety Precautions

Observe the following safety precautions when troubleshooting your Kinetix 300 drive.



**ATTENTION:** DC bus capacitors may retain hazardous voltages after input power has been removed. Before working on the drive, measure the DC bus voltage to verify it has reached a safe level or wait the full time interval listed on the drive warning label. Failure to observe this precaution could result in severe bodily injury or loss of life.

Do not attempt to defeat or override the drive fault circuits. You must determine the cause of a fault and correct it before you attempt to operate the system. If you do not correct a drive or system malfunction, it could result in personal injury and/or damage to the equipment as a result of uncontrolled machine system operation.

Test equipment (such as an oscilloscope or chart recorder) must be properly grounded. Failure to include an earth ground connection could result in a potentially fatal voltage on the oscilloscope chassis.

---

## General Troubleshooting

See the [Error Codes](#) section below to identify anomalies, potential causes, and appropriate actions to resolve the anomalies. If anomalies persist after attempting to troubleshoot the system, contact your Allen-Bradley representative for further assistance. To determine if your Kinetix 300 drive has an error, see the table below.

### Display Behavior

By default, if there is no activity on the input keypad for 30 seconds, the Kinetix 300 drive continuously scrolls the drives' IP address.

Upon powerup, the display shows its status: diS (disabled) or run (enabled), then after 30 seconds, the drive alternately scrolls the drives' IP address along with its status.

If the Kinetix 300 drive is faulted, the drive displays the fault code (non-scrolling). Then after 30 seconds, the drive alternately scrolls the drives' IP address along with its fault code.

### Error Codes

The following list is designed to help you resolve anomalies.

When a fault is detected, the status indicator displays an E and a two-digit error code until the anomaly is cleared.

**Table 66 - Error Codes**

Error Code	Anomaly	Possible Cause	Action/Solution
–	Status indicator not displaying any messages.	No AC power or back-up power.	Verify AC power or back-up power is applied to the Kinetix 300 drive.
		Internal power supply malfunction.	Call your Allen-Bradley representative.
–	Motor jumps when first enabled.	Motor wiring error.	Check motor wiring.
		Incorrect motor chosen.	Verify the proper motor is selected.
E04	Motor overtemperature.	Motor thermostat trips due to: <ul style="list-style-type: none"> <li>High motor ambient temperature.</li> <li>Excessive current.</li> </ul>	<ul style="list-style-type: none"> <li>Operate within (not above) the continuous torque rating for the ambient temperature 40 °C (104 °F) maximum.</li> <li>Lower ambient temperature, increase motor cooling.</li> </ul>
		Motor wiring error.	Check motor wiring.
		Incorrect motor selection.	Verify the proper motor has been selected.
E06	Hardware overtravel.	Dedicated overtravel input is inactive.	<ul style="list-style-type: none"> <li>Check wiring.</li> <li>Verify motion profile.</li> </ul>
E07	Feedback lost.	The feedback wiring is open, shorted, or missing.	<ul style="list-style-type: none"> <li>Check motor encoder wiring.</li> <li>Make sure that the motor is recognized from drive's Web-based configuration motor screen.</li> </ul>

**Table 66 - Error Codes (continued)**

Error Code	Anomaly	Possible Cause	Action/Solution
E09	Bus undervoltage.	Low AC line/AC power input.	<ul style="list-style-type: none"> <li>Verify voltage level of the incoming AC power.</li> <li>Check AC power source for glitches or line drop.</li> <li>Install an uninterruptible power supply (UPS) on your AC input.</li> </ul>
E10	Bus overvoltage.	Excessive regeneration of power.  When the motor is driven by an external mechanical power source, it may regenerate too much peak energy through the Kinetix 300 drives power supply. The system faults to save itself from an overload.	<ul style="list-style-type: none"> <li>Change the deceleration or motion profile.</li> <li>Use a larger system (motor and Kinetix 300 drive).</li> <li>Use a resistive shunt.</li> <li>If a shunt is connected, verify the wiring is correct.</li> </ul>
		Excessive AC input voltage.	Verify input is within specifications.
E11	Illegal Hall state.	Incorrect phasing.	Check the Hall phasing.
		Bad connections.	<ul style="list-style-type: none"> <li>Verify the Hall wiring.</li> <li>Verify 5V power supply to the encoder.</li> </ul>
E12	Home search failed.	Home sensor and/or marker is outside the overtravel limits.	<ul style="list-style-type: none"> <li>Check wiring.</li> <li>Reposition the overtravel limits or sensor.</li> </ul>
E14	Ethernet I/O connection lost.	Ethernet I/O Connection lost.	Check wiring and Ethernet cables and routing. Check controller program to be sure that I/O is scanned at correct RPI rate.
E16	Software overtravel.	Programmed overtravel limit has been exceeded.	<ul style="list-style-type: none"> <li>Verify motion profile.</li> <li>Verify overtravel settings are appropriate.</li> </ul>
E18	Overspeed fault.	Motor speed has exceeded 125% of maximum rated speed.	<ul style="list-style-type: none"> <li>Check cables for noise.</li> <li>Check tuning.</li> </ul>
E19	Excess position error.	Position error limit was exceeded.	<ul style="list-style-type: none"> <li>Increase following error limit or time.</li> <li>Check position loop tuning.</li> </ul>
E23	Drive Thermal Protection	The internal filter algorithm protecting the drive from overheating has tripped.	<ul style="list-style-type: none"> <li>Reduce acceleration rates.</li> <li>Reduce duty cycle (ON/OFF) of commanded motion.</li> <li>Increase time permitted for motion.</li> <li>Use larger Kinetix 300 drive and motor.</li> <li>Check tuning.</li> </ul>
E26	Index parameter out of range.	Parameters specified in the index table are beyond system capabilities.	Verify index parameters, such as position and velocity.
E27	Absolute move fault	Initiated move without being homed.	When using an absolute encoder home the axis before attempting an absolute move.
E30	Encoder communication fault.	Communication was not established with an intelligent encoder.	<ul style="list-style-type: none"> <li>Verify motor selection.</li> <li>Verify the motor supports automatic identification.</li> <li>Verify motor encoder wiring.</li> </ul>
E31	Encoder data.	Encoder data is corrupted.	Replace the motor/encoder.
E39	Safe torque-off while enabled.	The safety circuit was opened while drive was enabled or while attempting to enable.	Check safety circuit.
E43	Drive enable input.	An attempt was made to enable the axis through software while the Drive Enable hardware input was inactive.	Verify that Drive Enable hardware input is active whenever the drive is enabled through software.
		The Drive Enable input transitioned from active to inactive while the axis was enabled.	
E44	Controller changed to PROG mode.	Program downloaded or turned key on logix controller to program position.	Place controller back in RUN mode, clear faults.

**Table 66 - Error Codes (continued)**

Error Code	Anomaly	Possible Cause	Action/Solution
E67	Operating system failed.	Hardware or configuration failure.	<ul style="list-style-type: none"> <li>• Cycle power.</li> <li>• Check configuration settings to be sure that drive tags setting are valid.</li> <li>• Check your program to ensure there are not explicit messages to internal drive variables which have been noted as unpublished or reserved.</li> </ul>
E70	Memory module error.	Bad memory module	Replace memory module
E72	Drive temperature too high. The heat sink temperature sensor has detects an overtemperature condition.	Improper airflow/environmental temperature exceeds specifications or an application anomaly .	Check for clogged vents or defective fan. Make sure cooling is not restricted by insufficient space around the unit. Check ambient temperature in enclosure. Reduce acceleration rates. Reduce duty cycle (ON/OFF) of commanded motion. Increase time permitted for motion.
E74	Drive has exceeded peak current limit. Drive cannot regulate current properly.	Motor cables shorted.	Verify continuity of motor power cables and connector.
		Motor winding shorted internally.	Disconnect motor power cables form the motor. If the motor is difficult to turn by hand, it must be replaced.
		The machine duty cycle requires an RMS current exceeding the continuous rating of the controller.	Change the command profile to reduce speed or increase time.
		Operation above continuous power rating and/or product environmental rating.	Verify ambient temperature is not too high. Operate within the continuous power rating. Reduces acceleration rates.
		The Kinetix 300 drive has a short circuit overcurrent, or failed component.	Remove all power and motor connections and preform a continuity check form the DC bus to the U, V, and W motor outputs. If a continuity exists, check for wire fibers between terminal or send drive in for repair.
E76	Blank memory module.	A Blank MEM module has been inserted into the drive.	Push and hold the drive's enter key (bottom most red button) on the drive's front display until the drive shows "bUSY". This will make the drive format the blank memory module for usage with the drive.
E91	User watchdog has timed out.	Ladder program error.	<ul style="list-style-type: none"> <li>• Not writing to WatchDogKick Tag frequently enough to prevent timeout.</li> <li>• Watchdog timeout period set to too low a value. Increase timeout period or change controller application to kick watchdog more frequently.</li> </ul>
E92	Bad battery.	<ul style="list-style-type: none"> <li>• Tamagawa absolute feedback battery voltage low or missing.</li> <li>• A battery error is set at drive powerup when main power to the encoder is not present or the battery voltage is below 2.75V.</li> </ul>	Replace battery.
E93	Motion set-up parameters calculate an acceleration value above or below the drive capability.	Check indexing profiles or motion set-up profiles.	Increase or decrease acceleration profile. Increase or decrease permitted time for motion.
E94	Motor or motor feedback cable.	Motor or feedback device malfunction.	<ul style="list-style-type: none"> <li>• Check motor power/feedback wiring.</li> <li>• Replace motor or encoder.</li> </ul>
		Recommenced grounding, per installation instructions, has not been followed.	<ul style="list-style-type: none"> <li>• Verify grounding.</li> <li>• Route feedback cables away from noise sources.</li> <li>• See System Design for Control of Electric Noise Reference Manual, publication <a href="#">GMC-RM001</a>.</li> </ul>
E95	Wrong Indexing Mode	Index Type or ReferenceSource not supported in configured Linear/Rotary Unwind mode.	<ul style="list-style-type: none"> <li>• Change the Index Type or ReferenceSource to values that are supported by selecting Linear or Rotary Unwind mode</li> </ul>

## Clearing Faults

This section provides methods for clear faults in the Kinetix 300 drive. You can clear drive faults by using digital inputs or drive parameters.

### Use Digital Inputs to Clear Faults

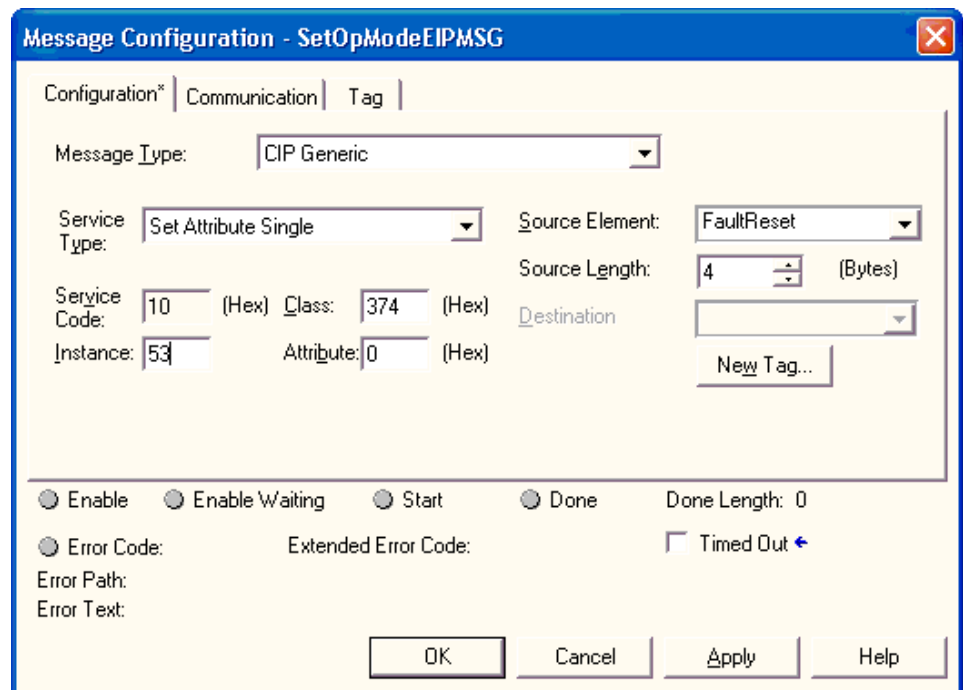
You can use MotionView software to clear faults by configuring a digital input as Fault Reset. To clear faults by using this input, you must make the input active until the fault clears and then deactivate it.

### Use Drive Parameters to Clear Faults

You can use the Kinetix 300 drive parameter to reset faults by using Explicit Messaging or UserDefinedDataLink.

#### *Explicit Messaging*

Send Explicit Messages from within the RSLogix 5000 software to Class 374 (hex) Instance 53, Attribute 0 to set it to a 1 and then back to a 0 when the fault is cleared.



### UserDefinedDataLink

Drive parameters used in the [Explicit Messaging](#) section can be mapped into the integer UserDefinedDataLink by using MotionView software. Then the parameter can be toggled by using the UserDefinedIntegerData0 or UserDefinedIntegerData1 tags within RSLogix 5000 software.

**Figure 77 - UserDefinedDataLink Example Using Parameter 53**

The screenshot shows the MotionView software interface for a K300\_01 drive. The left-hand tree view shows the configuration hierarchy: Motor, General, Communication, Ethernet, EtherNet/IP (CIP), IO, Digital IO, Analog IO, Limits, Velocity Limits, Position Limits, Dynamics, Indexing, Homing, Tools, Monitor, and Faults. The main window displays two tables for link configurations.

Description		Value	Units
<b>Input Assembly Links</b>			
Enable	Description	Parameter ID Number	Units
<input checked="" type="checkbox"/>	Link A	184	RAM Integer (4 Bytes)
<input checked="" type="checkbox"/>	Link B	185	RAM Integer (4 Bytes)
<input type="checkbox"/>	Link C	102	RAM Float (4 Bytes)
<input type="checkbox"/>	Link D	103	RAM Float (4 Bytes)
<b>Output Assembly Links</b>			
Enable	Description	Parameter ID Number	Units
<input checked="" type="checkbox"/>	Link A	53	RAM Integer (4 Bytes)
<input checked="" type="checkbox"/>	Link B	66	RAM Integer (4 Bytes)
<input type="checkbox"/>	Link C	106	RAM Float (4 Bytes)
<input type="checkbox"/>	Link D	107	RAM Float (4 Bytes)

### Drive Enable

The drive clears runtime faults if the drive enable command from RSLogix 5000 software is cycled and the fault reset in the MotionView software is configured for On Disable. For the drive to be enabled, the DriveEn bit in the Output Assembly needs to be set to 1. By changing that from 1 back to 0, the fault clears as the drive disables.

## Kinetix 300 Drive Safe Torque-off Feature

This appendix introduces you to how the safe torque-off feature meets the requirements for ISO 13849-1 performance level d (PLd) safety category 3.

Topic	Page
Certification	159
Description of Operation	161
Functional Proof Tests	161
PFD and PFH Definitions	162
PFD and PFH Data	162
Safe Torque-off Connector Data	163
Wiring Your Safe Torque-off Circuit	164
Kinetix 300 Drive Safe Torque-off Feature	166
Kinetix 300 Drive Safe Torque-off Wiring Diagrams	167
Safe Torque-off Signal Specifications	168

### Certification

The safe torque-off circuit is type-approved and certified for use in safety applications up to and including ISO 13849-1 performance level d (PLd) safety category 3.

The TÜV Rheinland group has approved the Kinetix 300 drives for use in safety-related applications up to ISO 13849-1 performance level d (PLd) safety category 3, in which the de-energized state is considered to be the safe state. All of the examples related to I/O included in this manual are based on achieving de-energization as the safe state for typical machine safety systems.

## Important Safety Considerations

The system user is responsible for the following:

- Validation of any sensors or actuators connected to the drive system
- Completing a machine-level risk assessment
- Certification of the machine to the desired ISO 13849-1 performance level
- Project management and proof testing
- Programming the application software and the device configurations in accordance with the information in this safety reference manual and the drive product manual

## Safety Category 3 Requirements

Safety-related parts are designed with these attributes:

- A single fault in any of these parts does not lead to the loss of the safety function
- A single fault is detected whenever reasonably practicable
- Accumulation of undetected faults can lead to the loss of the safety function, which results in an uncontrolled coast to stop

## Stop Category Definition

Stop category 0 is achieved with immediate removal of power to the actuator.

---

**IMPORTANT** In the event of drive or control failure, the most likely stop category is category 0. When designing the machine application, timing and distance should be considered for a coast to stop. For more information regarding stop categories, see EN 60204-1.

---

## Performance Level and Safety Integrity Level (SIL) CL3

For safety-related control systems, Performance Level (PL), according to ISO 13849-1, and SIL levels, according to EN 61508 and EN 62061, include a rating of the systems ability to perform its safety functions. All of the safety-related components of the control system must be included in both a risk assessment and the determination of the achieved levels.

See the ISO 13849-1, EN 61508, and EN 62061 standards for complete information on requirements for PL and SIL determination.



## Description of Operation

The safe torque-off feature provides a method, with sufficiently low probability of failure on demand, to force the power-transistor control signals to a disabled state. When disabled, or any time power is removed from the safety enable inputs, all of the drives output-power transistors are released from the ON state, effectively removing motive power generated by the drive. This results in a condition where the motor is in a coasting condition (stop category 0). Disabling the power transistor output does not provide mechanical isolation of the electrical output, which may be required for some applications.

Under normal drive operation, the safe torque-off switches are energized. If either of the safety enable inputs are de-energized, the gate control circuit is disabled. To meet ISO 13849-1 (PLd) both safety channels must be used and monitored.



**ATTENTION:** Permanent magnet motors may, in the event of two simultaneous faults in the IGBT circuit, result in a rotation of up to 180 electrical degrees.

## Functional Proof Tests

The functional safety standards require that functional proof tests be performed on the equipment used in the system. Proof tests are performed at user-defined intervals, not to exceed one year, and are dependent upon PFD and PFH values.

**IMPORTANT** Users specific applications determine the time frame for the proof test interval, but it must not exceed one year due to the use of switches internal to the drive, as required by ISO 13849-1.

To proof test the safe torque-off function, you must interrupt power to the inputs of the safe torque-off function at pins STO-4 and STO-6 and verify that the drive is in the disabled state.

### Proof Test Truth Table

Safety Function State	Safety Input 1 (STO-4)	Safety Input 2 (STO-6)	Safety Status Output (STO-3)	Drive Status Indication <sup>(1)</sup>
Normal operation	Energized	Energized	Energized	Run
Safe torque-off mismatch	Energized	De-energized	Energized	E39
	De-energized	Energized	Energized	E39
Safe torque-off function engaged	De-energized	De-energized	De-energized	E39

(1) Drive display changes to condition shown on enable of the drive (IN\_A3 Enable).

Normal operation of the safe torque-off function, if monitored and verified, constitutes the proof test. A safe torque-off mismatch results in error code E39.

## Troubleshooting the Safe Torque-off Function

Error Code	Fault Message RSLogix (HIM)	Anomaly	Potential Cause	Possible Resolution
E39	<b>DriveHardFault</b> (safe torque-off HVV Fit)	Safe torque-off function mismatch. Drive will not allow motion.	<ul style="list-style-type: none"> <li>Loose wiring at safe torque-off (STO) connector.</li> <li>Cable/header not seated properly in safe torque-off (STO) connector.</li> <li>Safe torque-off circuit missing +24V DC.</li> </ul>	<ul style="list-style-type: none"> <li>Verify wire terminations, cable/header connections, and +24V.</li> <li>Reset error and run proof test.</li> <li>If error persists, return the drive to Rockwell Automation.</li> </ul>



**ATTENTION:** The safe torque-off fault (E39) is detected upon demand of the safe torque-off function. After troubleshooting, a proof test must be performed to verify correct operation.

## PFD and PFH Definitions

Safety-related systems can be classified as operating in either a Low Demand mode, or in a High Demand/Continuous mode:

- Low Demand mode: where the frequency of demands for operation made on a safety-related system is no greater than one per year or no greater than twice the proof-test frequency.
- High Demand/Continuous mode: where the frequency of demands for operation made on a safety-related system is greater than once per year or greater than twice the proof test interval.

The SIL value for a low demand safety-related system is directly related to order-of-magnitude ranges of its average probability of failure to satisfactorily perform its safety function on demand or, simply, average probability of failure on demand (PFD). The SIL value for a High Demand/Continuous mode safety-related system is directly related to the probability of a dangerous failure occurring per hour (PFH).

## PFD and PFH Data

These PFD and PFH calculations are based on the equations from EN 61508 and show worst-case values.

This table provides data for a 20-year proof test interval and demonstrates the worst-case effect of various configuration changes on the data.

### PFD and PFH for 20-year Proof Test Interval

Attribute	Value
PFH [1e-9]	5.9
PFD [1e-3]	1.0

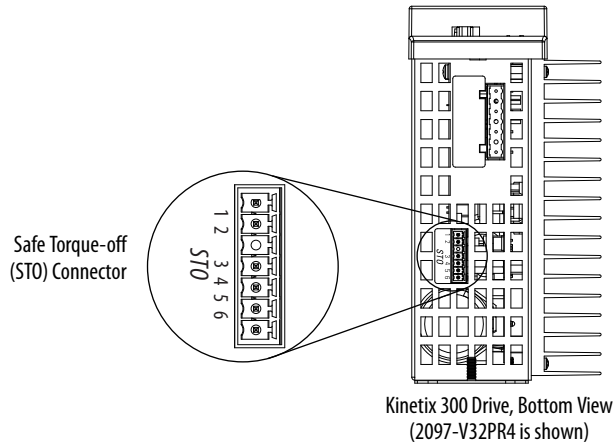
## Safe Torque-off Connector Data

This section provides safe torque-off (STO) connector and header information for the Kinetix 300 drive safe torque-off.

### STO Connector Pinouts

Headers extend the STO connector signals for use in wiring or to defeat (not use) the safe torque-off function.

#### 6-pin Safe Torque-off (STO) Connector



STO Pin	Description	Signal
1	+24V DC output from the drive	+24V DC control
2	+24V DC output common	Control COM
3	Safety status	Safety Status
4	Safety input 1 (+24V DC to enable)	Safety Input 1
5	Safety common	Safety COM
6	Safety input 2 (+24V DC to enable)	Safety Input 2

## Wiring Your Safe Torque-off Circuit

This section provides guidelines for wiring your Kinetix 300 safe torque-off drive connections.

### European Union Directives

If this product is installed within the European Union or EEC regions and has the CE mark, the following regulations apply.

For more information on the concept of electrical noise reduction, see System Design for Control of Electrical Noise Reference Manual, publication [GMC-RM001](#).

#### *EMC Directive*

This unit is tested to meet Council Directive 2004/108/EC Electromagnetic Compatibility (EMC) by using these standards, in whole or in part:

- EN 61800-3 - Adjustable Speed Electrical Power Drive Systems, Part 3 - EMC Product Standard including specific test methods
- EN 61000-6-4 EMC - Emission Standard, Part 2 - Industrial Environment
- EN 61000-6-2 EMC - Immunity Standard, Part 2 - Industrial Environment

The product described in this manual is intended for use in an industrial environment.

#### *CE Conformity*

Conformity with the Low Voltage Directive and Electromagnetic Compatibility (EMC) Directive is demonstrated by using harmonized European Norm (EN) standards published in the Official Journal of the European Communities. The safe torque-off circuit complies with the EN standards when installed according to instructions found in this manual.

CE Declarations of Conformity are available online at: [www.rockwellautomation.com/products/certification/ce](http://www.rockwellautomation.com/products/certification/ce).

#### *Low Voltage Directive*

These units are tested to meet Council Directive 2006/95/EC Low Voltage Directive. The EN 60204-1 Safety of Machinery-Electrical Equipment of Machines, Part 1-Specification for General Requirements standard applies in whole or in part. Additionally, the standard EN 50178 Electronic Equipment for use in Power Installations apply in whole or in part.

## Safe Torque-off Wiring Requirements

These are the safe torque-off (STO) wiring requirements. Wire should be copper with 75 °C (167 °F) minimum rating.

---

**IMPORTANT** The National Electrical Code and local electrical codes take precedence over the values and methods provided.

---

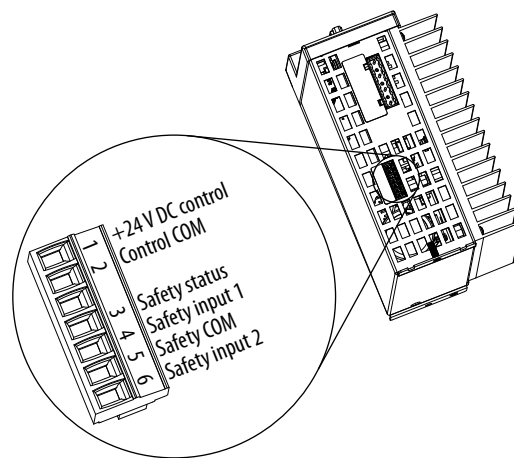


---

**IMPORTANT** Stranded wires must terminate with ferrules to prevent short circuits, per table D7 of EN 13849.

---

### Safe Torque-off (STO) Terminal Plug



### Safe Torque-off (STO) Terminal Plug Wiring

Safe Torque-off (STO) Connector		Recommended Wire Size		Strip Length mm (in.)	Torque Value N·m (lb·in)
Pin	Signal	Stranded Wire with Ferrule mm <sup>2</sup> (AWG)	Solid Wire mm <sup>2</sup> (AWG)		
STO-1	+24V DC Control Control COM Safety Status Safety Input 1 Safety COM Safety Input 2	0.75 (18)	1.5 (16)	6 (0.25)	0.2 (1.8)
STO-2					
STO-3					
STO-4					
STO-5					
STO-6					

---

**IMPORTANT** Pins STO-1 (+24V DC Control) and STO-2 (Control COM) are used only by the motion-allowed jumpers to defeat the safe torque-off function. When the safe torque-off function is in operation, the 24V supply must come from an external source.

---



---

**IMPORTANT** To be sure of system performance, run wires and cables in the wireways as established in the user manual for your drive.

---

## Kinetix 300 Drive Safe Torque-off Feature

The safe torque-off circuit, when used with suitable safety components, provides protection according to ISO 13849-1 (PLd). The safe torque-off option is just one safety control system. All components in the system must be chosen and applied correctly to achieve the desired level of operator safeguarding.

The safe torque-off circuit is designed to safely remove power from the gate firing circuits of the drives output power devices (IGBTs). This prevents them from switching in the pattern necessary to generate AC power to the motor.

You can use the safe torque-off circuit in combination with other safety devices to meet the stop and protection-against-restart requirements of ISO 13849-1.



**ATTENTION:** This option is suitable for performing mechanical work on the drive system or affected area of a machine only. It does not provide electrical safety.



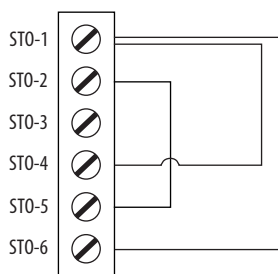
**SHOCK HAZARD:** In Safe Torque-off mode, hazardous voltages may still be present at the motor. To avoid an electric shock hazard, disconnect power to the motor and verify that the voltage is zero before performing any work on the motor.

### Safe Torque-off Feature Bypass

The drive is supplied from the factory with the safe torque-off circuit enabled. The drive is not operational until +24V is present at terminals STO-4 and STO-6. When safety connections are not required, the drive can be operated with the safety circuit disabled.

Use jumper wires, as shown, to defeat the safe torque-off function.

**Figure 78 - STO Motion-allowed Jumpers**



**IMPORTANT** Pins STO-1 (+24V DC Control) and STO-2 (Control COM) are used only by the motion-allowed jumpers to defeat the safe torque-off function. When the safe torque-off function is in operation, the 24V supply must come from an external source.

## Kinetix 300 Drive Safe Torque-off Wiring Diagrams

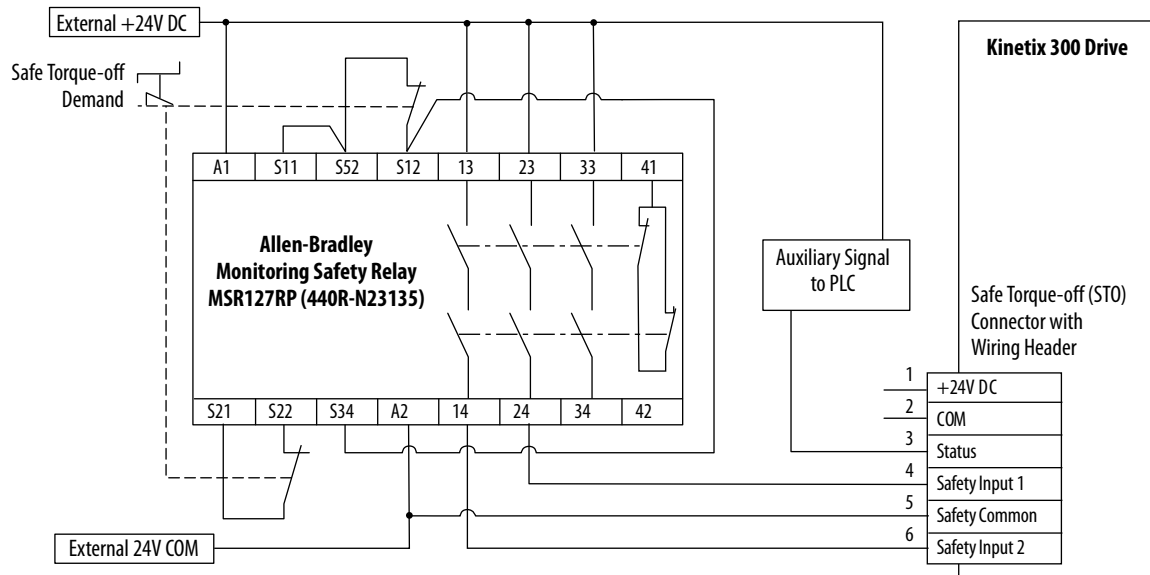
This appendix provides typical wiring diagrams for the Kinetix 300 drive safe torque-off feature with other Allen-Bradley safety products.

For additional information regarding Allen-Bradley safety products, including safety relays, light curtain, and gate interlock applications, see the Safety Products Catalog, website <http://www.ab.com/catalogs>.

The drive is shown in a single-axis relay configuration for both category 0 and category 1 stops per EN-60204-1 Safety of Machinery Directive. These are examples, however, and user applications can differ based on the required overall machine performance level requirements.

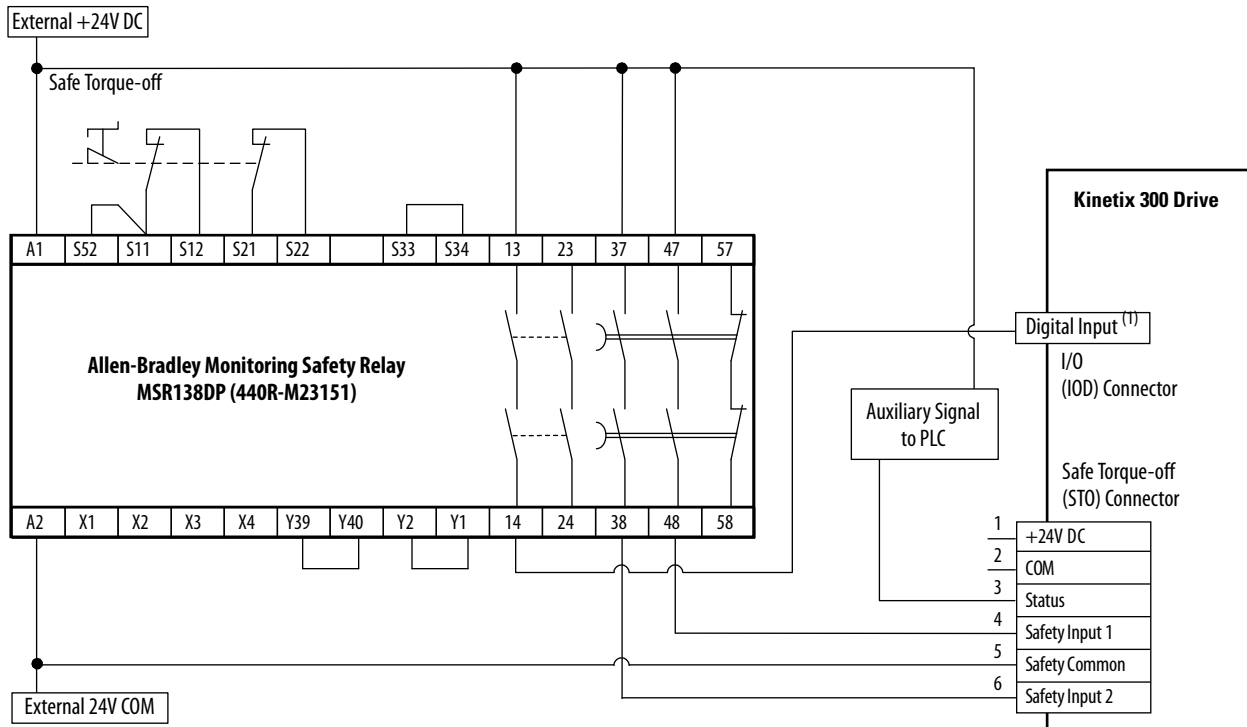
**IMPORTANT** The Kinetix 300 drive has been qualified and rated as a component to meet ISO 13849-1 performance level d (PLd), safety-level category 3. Dual inputs and drive monitoring of the safe torque-off circuit, STO-4 and STO-6, are done to prevent drive enable should either or both of these inputs not function. It is suggested to evaluate the entire machine performance level required with a risk assessment and circuit analysis. Contact your local distributor or Rockwell Automation Sales for more information.

**Figure 79 - Single-axis Relay Configuration (Stop Category 0) with Automatic Reset**



Pins 1 and 2 are not used when using Safety Inputs.  
Pin 3 is a sinking output.

Figure 80 - Single-axis Relay Configuration (Stop Category 1) with Automatic Reset



Pins 1 and 2 are not used when using Safety Inputs.  
Pin 3 is a sinking output.

(1) The digital input, configured for Abort Index in MotionView software, must be active-high when the safety function is requested, so an interposing relay may be required to invert the signal. Digital input common (IN\_x\_COM) must be used in this signal activation/de-activation transition.

You can also bring this input into a PLC where you can use an AOP (add on profile) or assembly object to activate the recommended digital input (abort index).

## Safe Torque-off Signal Specifications

This table provides specifications for the safe torque-off signals used in the Kinetix 300 servo drives.

Attribute	Value
Safety inputs <sup>(1)</sup>	Insulated, compatible with single-ended output (+24V DC)
	Enable voltage range: 20...24V DC
	Disable voltage range: 0...1.0V DC
Input impedance	6.8 kΩ
Safety status	Isolated Open Collector (Emitter is grounded.)
Output load capability	100 mA
Digital outputs max voltage	30V DC

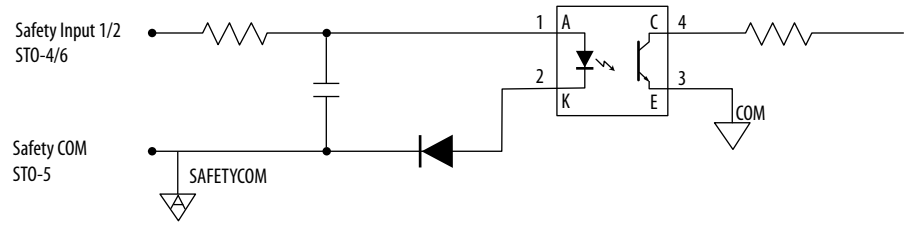
(1) Safety inputs are not designed for pulse testing.



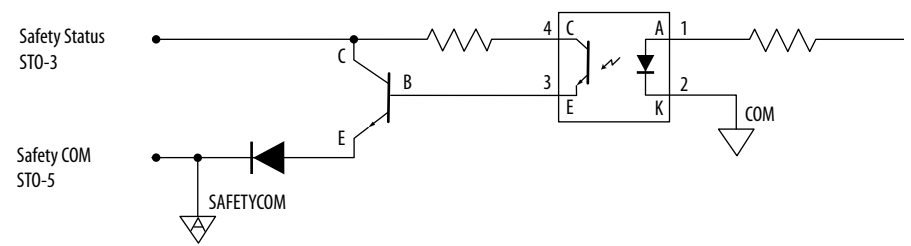
## Safety Input and Output Schematics

The following are generic safety input and output schematics for the Kinetix 350 drive.

**Figure 81 - Safety Input**



**Figure 82 - Safety Status Output - Sinking Type**



**Notes:**

## Interconnect Diagrams

<b>Topic</b>	<b>Page</b>
Interconnect Diagram Notes	172
Power Wiring Examples	173
Kinetix 300 Drive/Rotary Motor Wiring Examples	176
Kinetix 300 Drive/Actuator Wiring Examples	180
Kinetix 300 Drive/Linear Motor Wiring Examples	179
Kinetix 300 Drive to MicroLogix Controller Wiring Examples	183
Kinetix 300 Drive Master Gearing Wiring Example	184
Motor Brake Currents	185
System Block Diagrams	186

## Interconnect Diagram Notes

This appendix provides wiring examples to assist you in wiring the Kinetix 300 system. The notes below apply to the wiring examples on the pages that follow.

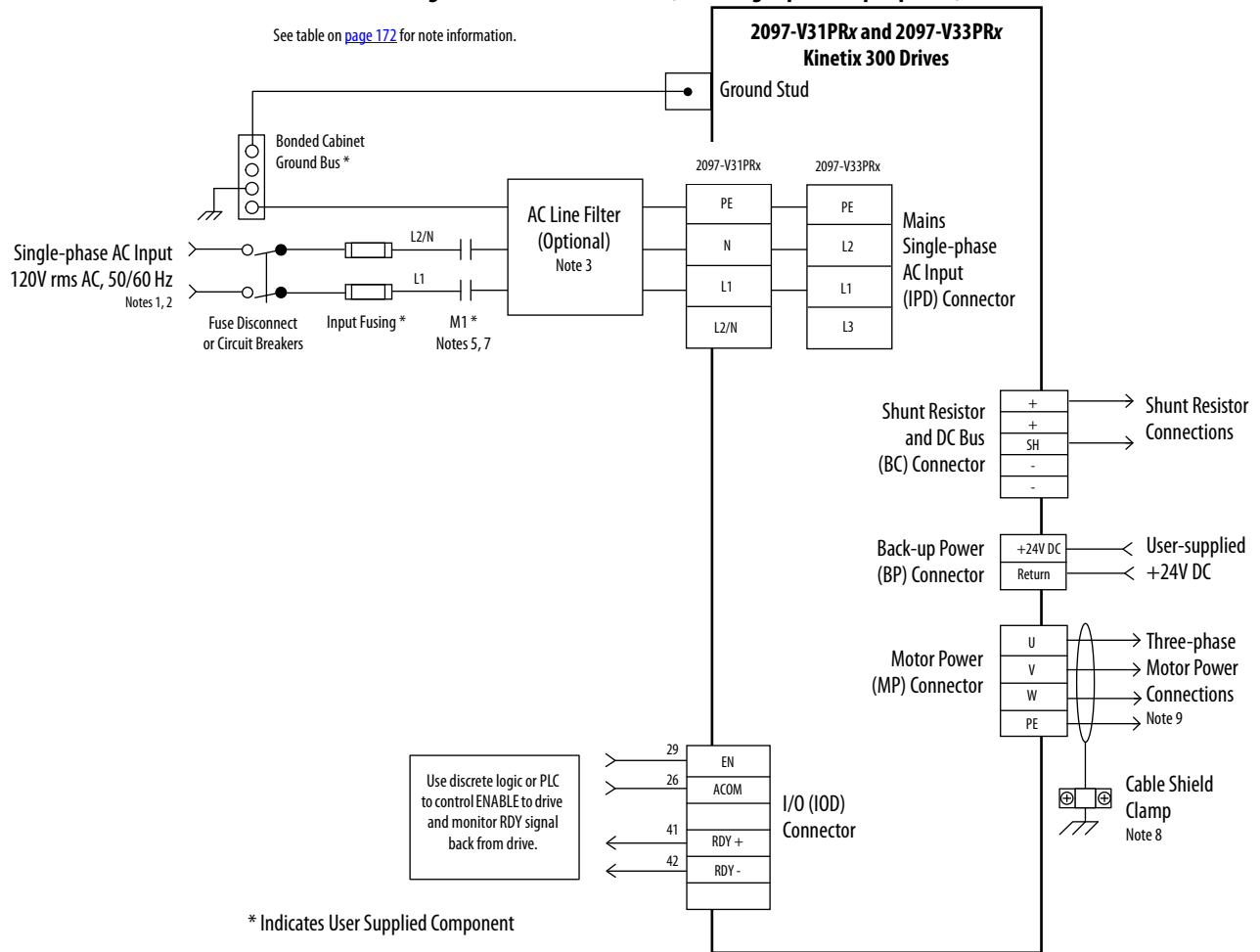
Note	Information
1	For power wiring specifications, see <a href="#">Power Wiring Requirements</a> on <a href="#">page 65</a> .
2	For input fuse and circuit breaker sizes, see <a href="#">Circuit Breaker/Fuse Specifications</a> on <a href="#">page 22</a> .
3	Place the AC (EMC) line filters as close to the drive as possible and do not route very dirty wires in the wireway. If routing in wireway is unavoidable, use shielded cable with shields grounded to the drive chassis and filter case. For AC line filter specifications, see Kinetix Servo Drives Specifications Technical Data, publication <a href="#">GMC-TD003</a> . This filter does not apply to 2097-V32PRx drives because they have integrated AC line filters.
4	Terminal block is required to make connections. Configure one pair from the Digital OUT-1... OUT-4, pins 43...50, as Brake in MotionView software. For Digital Output specifications, see Digital Outputs on <a href="#">page 45</a> .
5	Contactors coil (M1) needs integrated surge suppressors for AC coil operation. See Kinetix Servo Drives Specifications Technical Data, publication <a href="#">GMC-TD003</a> .
6	See the Motor Brake Currents table on <a href="#">page 185</a> to size the interposing relay for your application.
7	Drive Enable input must be opened when main power is removed, or a drive fault occurs. A delay of at least 1.0 second must be observed before attempting to enable the drive after main power is restored.
8	Cable shield clamp must be used to meet CE requirements. No external connection to ground is required.
9	For motor cable specifications, see the Kinetix Motion Control Selection Guide, publication <a href="#">GMC-SG001</a> .
10	Motor power cables (2090-XXNPMF-xxSxx and 2090-CPBM6DF-16AAxx) have a drain wire that must be folded back under the cable shield clamp.
11	LDAT-xxxxxB, MPL-Axxx, MPM-Axxx, MPF-Axxx, MPS-Axxx, MPAR-Axxx, MPAL-Axxx, and MPAS-Axxx, encoders use the +5V DC supply. LDAT-xxxxxD, MPL-Bxxx, MPM-Bxxx, MPF-Bxxx, MPS-Bxxx, MPAR-Bxxx, MPAL-Bxxx, and MPAS-Bxxx, encoders use +9V DC.
12	Brake connector pins are labeled plus (+) and minus (-) or F and G respectively. Power connector pins are labeled U, V, W, and GND or A, B, C, and D respectively.

## Power Wiring Examples

You must supply input power components. The single-phase and three-phase line filters are wired downstream of fusing and the M1 contactor.

In this example, the 2097-V31PRx drives are wired to use the voltage doubling circuit. The 120V input voltage provides 240V output to motors. The 2097-V33PRx drives are wired for single-phase 120V operation.

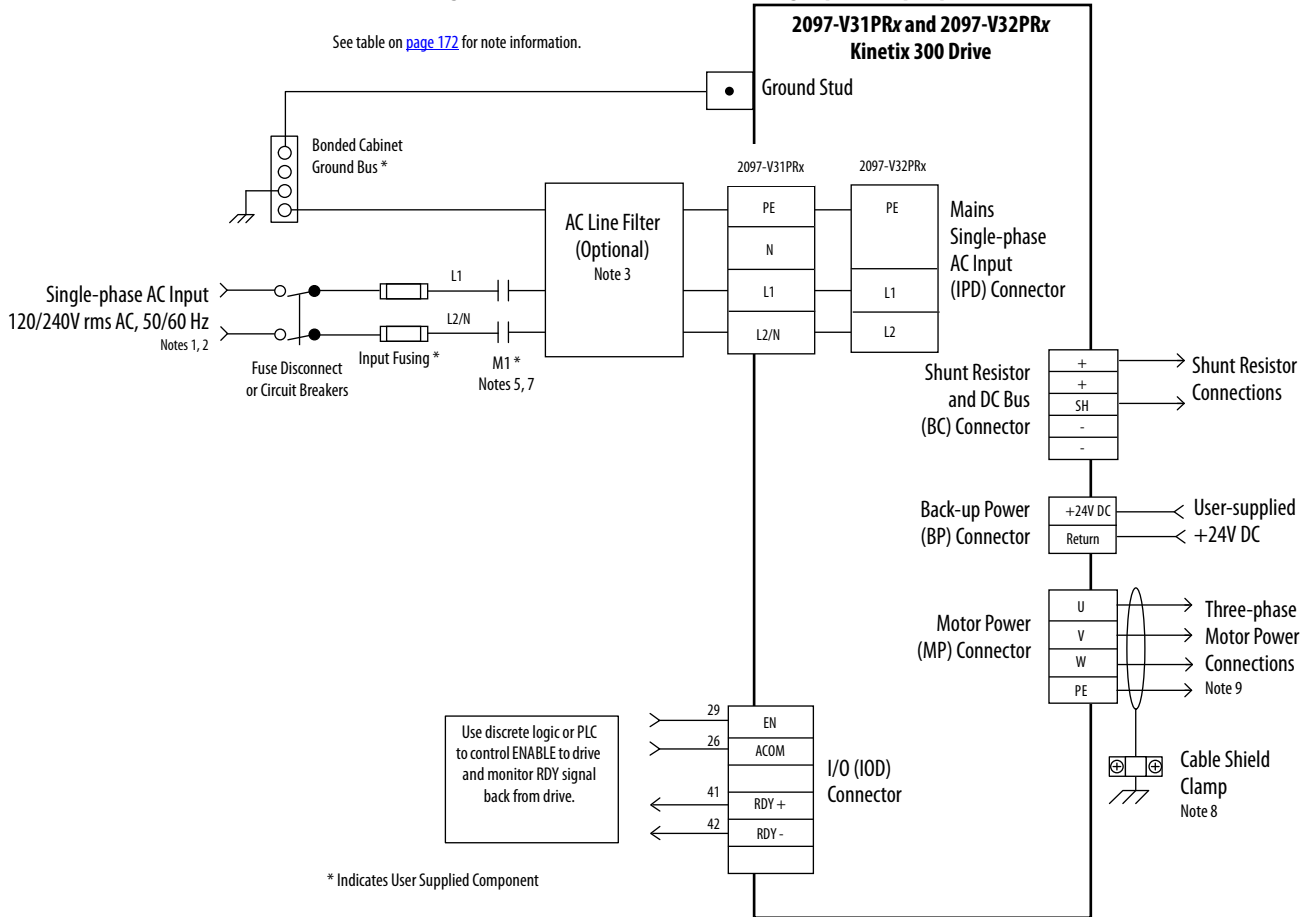
**Figure 83 - Kinetix 300 Drive (120V single-phase input power)**



In this example, single-phase 240V AC is applied to 2097-V31PRx and 2097-V32PRx drives.

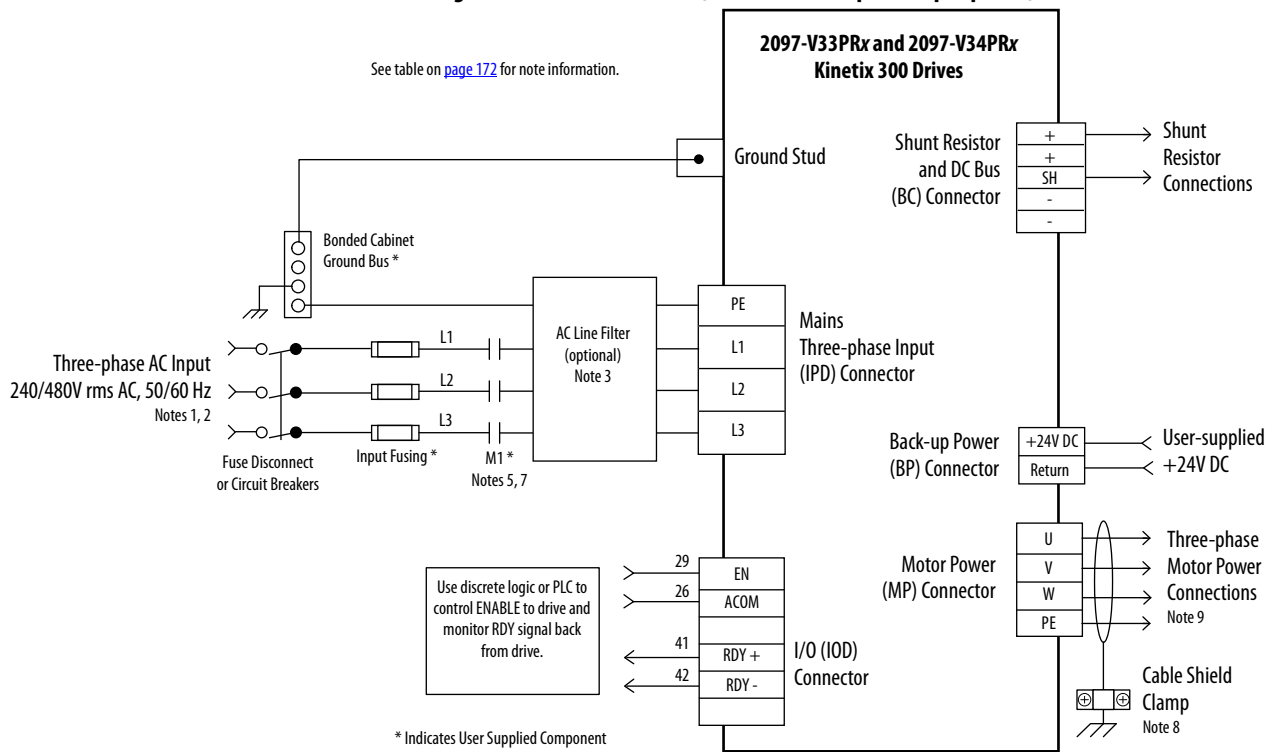
**IMPORTANT** The 2097-V32PRx models have integrated AC line filters and do not require the AC line filter shown in this diagram.

**Figure 84 - Kinetix 300 Drives (240V single-phase input power)**



In this example, three-phase 240V AC is applied to 2097-V33PRx drives and 480V AC is applied to 2097-V34PRx drives.

**Figure 85 - Kinetix 300 Drive (240/480V three-phase input power)**

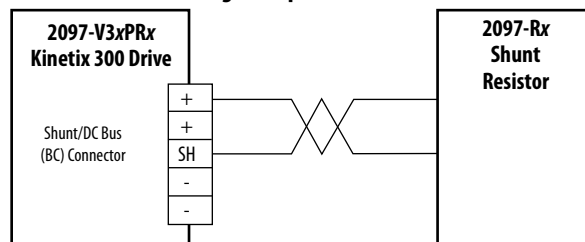


**IMPORTANT** For the 480V Kinetix 300 drives to meet ISO 13849-1 (PLd) spacing requirements, each phase voltage to ground must be less than or equal to 300V AC rms. This means that the power system must use center grounded wye secondary configuration for 400/480V AC mains.

### Shunt Resistor Wiring Example

See the Kinetix Servo Drives Specifications Technical Data, publication [GMC-TD003](#), for the Bulletin 2097-Rx shunt resistors available for the Kinetix 300 drives. See the Kinetix 300 Shunt Resistor Installation Instructions, publication [2097-IN002](#), for additional installation information.

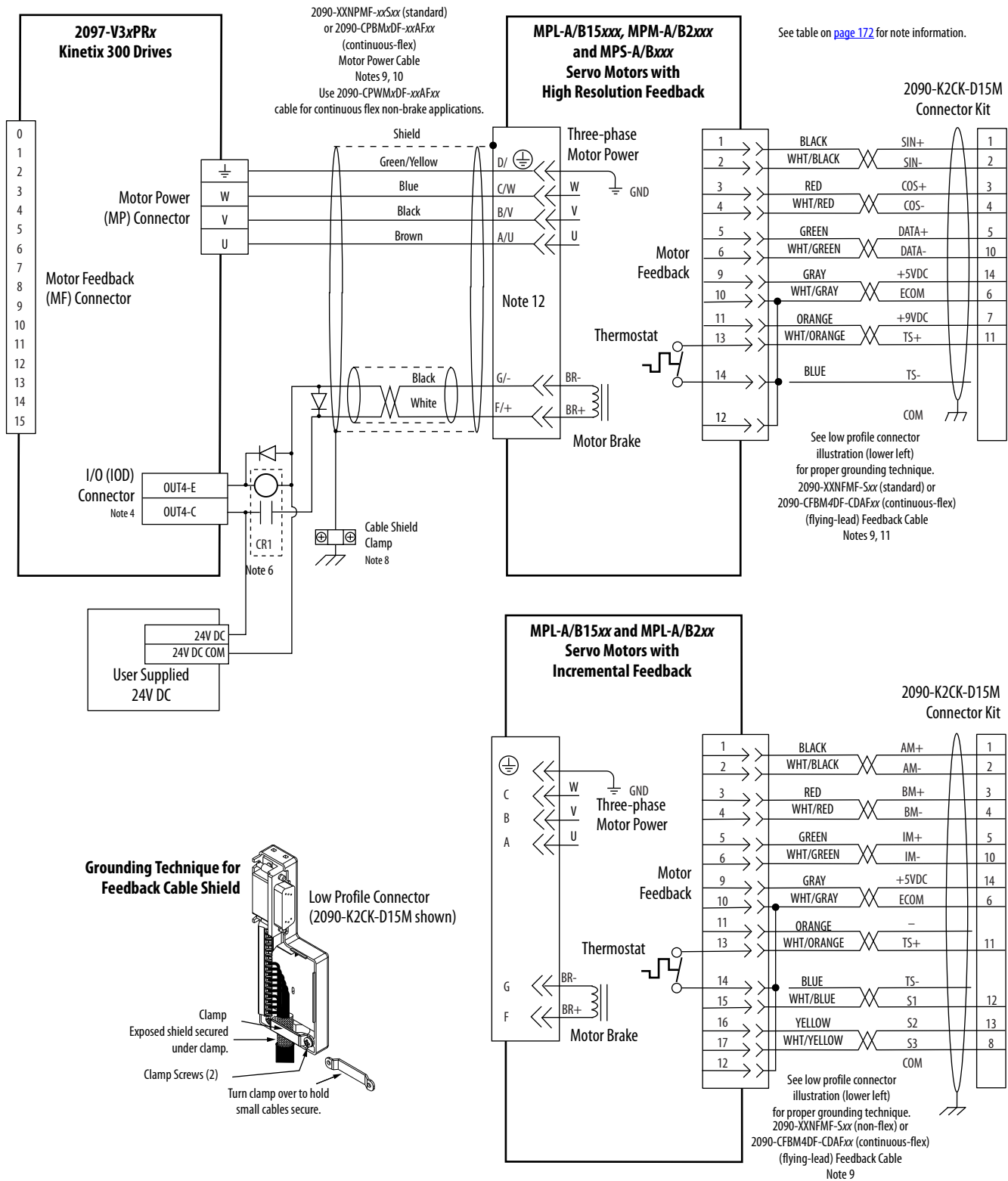
**Figure 86 - Shunt Resistor Wiring Example**



# Kinetix 300 Drive/Rotary Motor Wiring Examples

These wiring diagrams apply to Kinetix 300 drives with compatible rotary motors.

**Figure 87 - MP-Series (Bulletin MPL-A/B and MPS-A/B) Motors**





**Figure 88 - MP-Series (Bulletin MPL-A/B, MPM-A/B, and MPF-A/B) Motors**

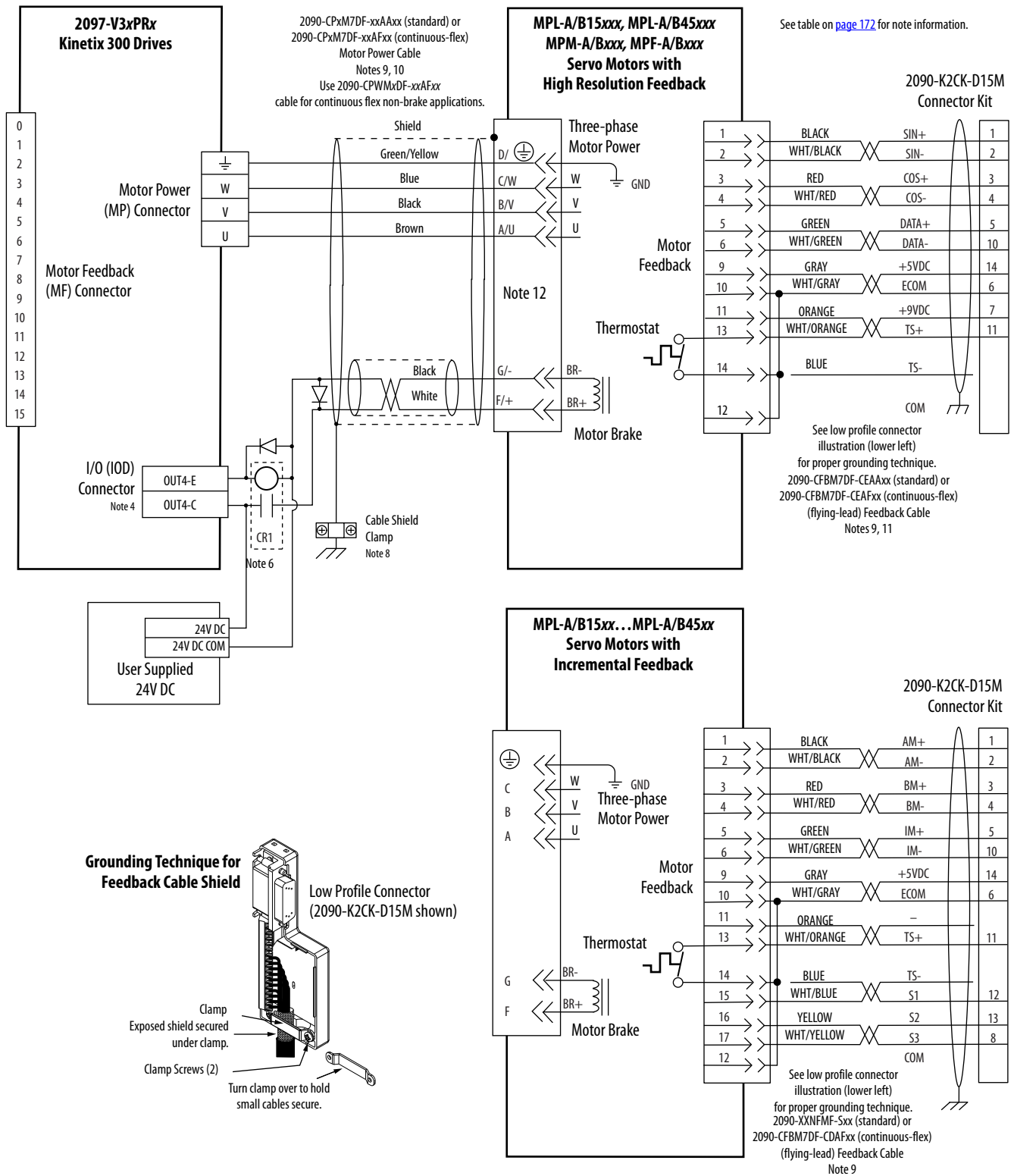
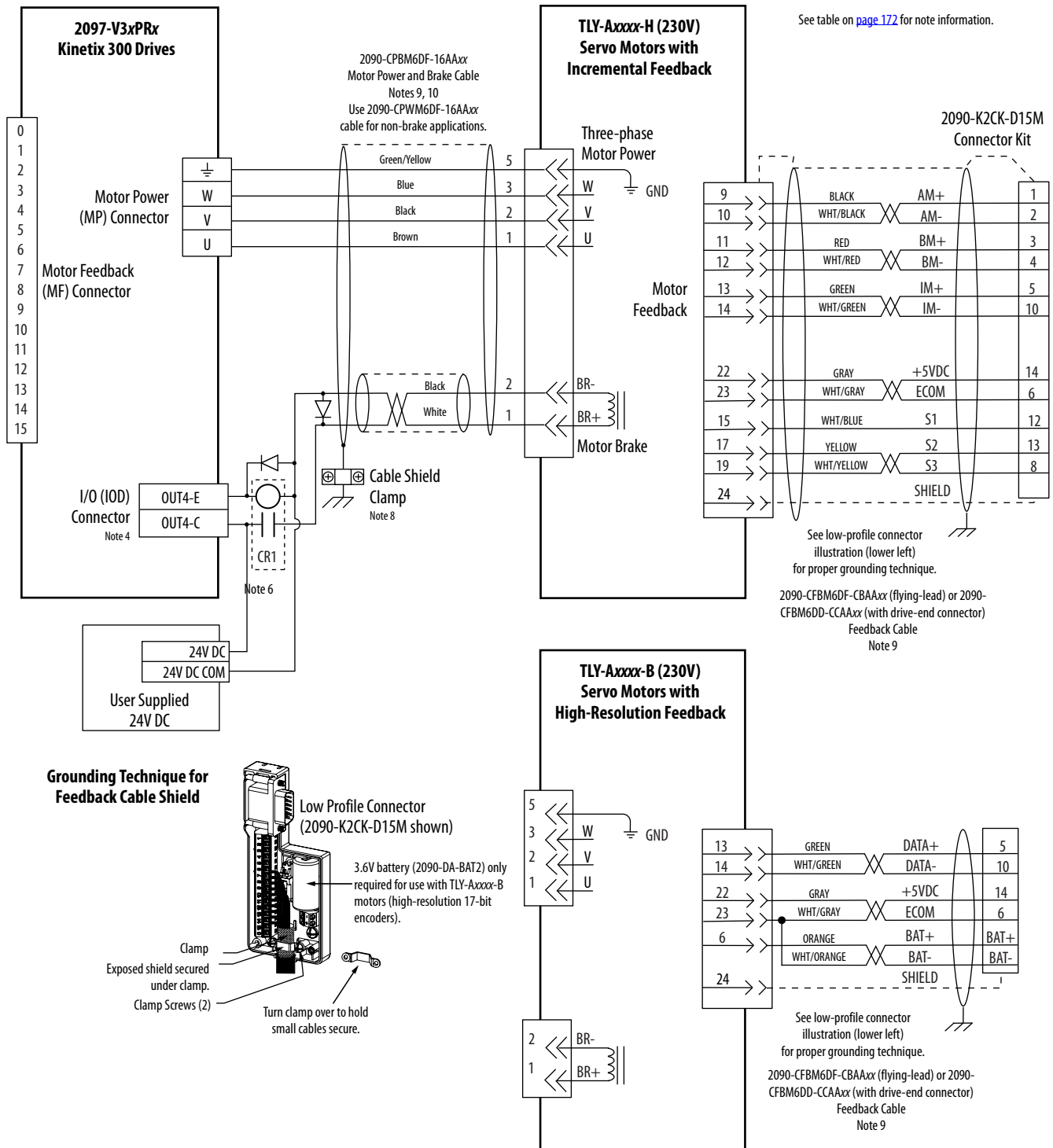


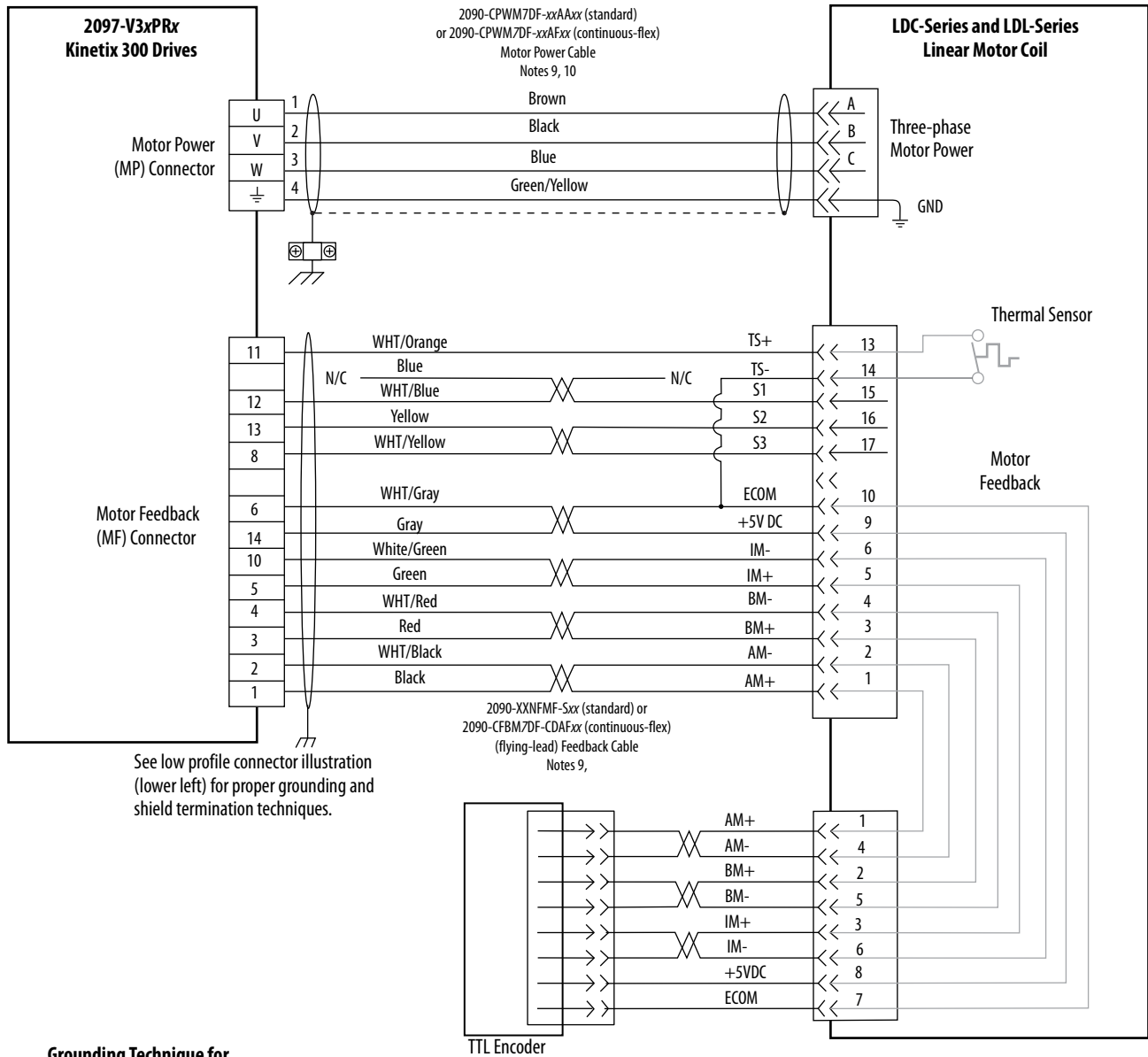
Figure 89 - Kinetix 300 Drive with TL-Series (TLY-A) Motors



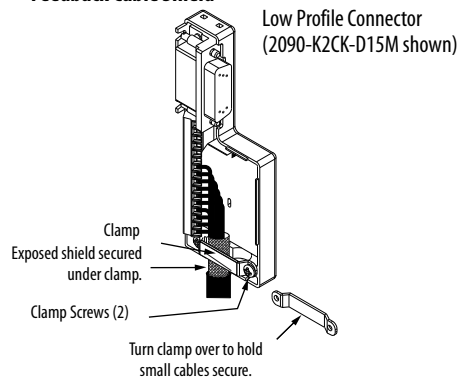
# Kinetix 300 Drive/Linear Motor Wiring Examples

These wiring diagrams apply to Kinetix 300 drives with compatible linear motors.

**Figure 90 - Kinetix 300 Drive with LDC-Series and LDL Linear Motors**



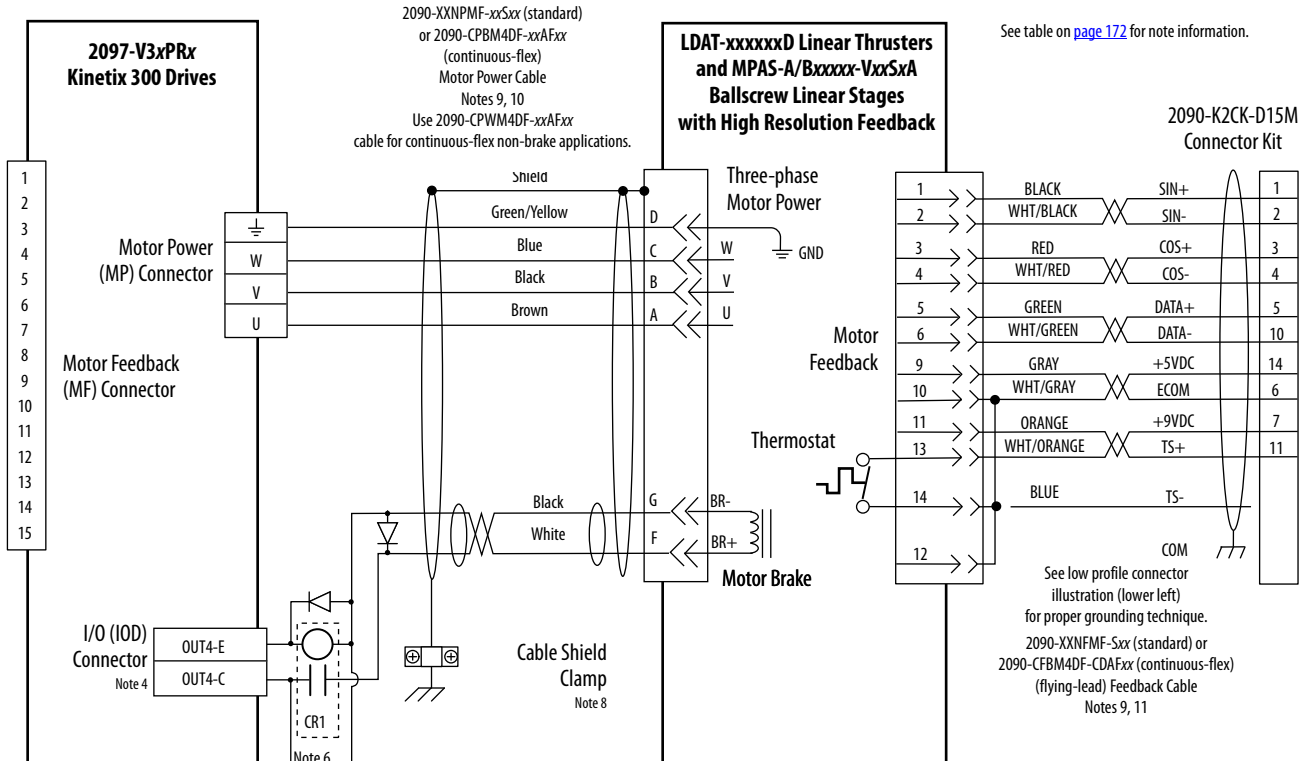
### Grounding Technique for Feedback Cable Shield



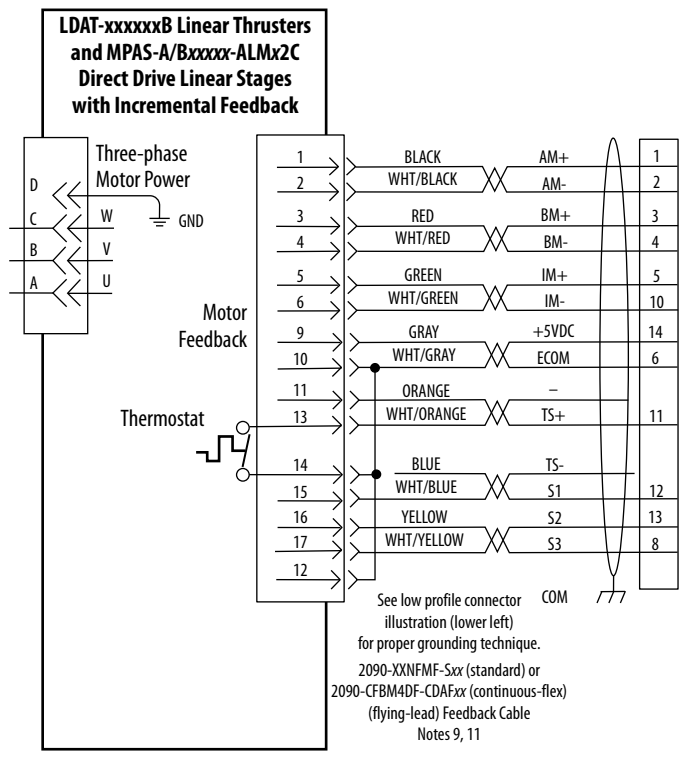
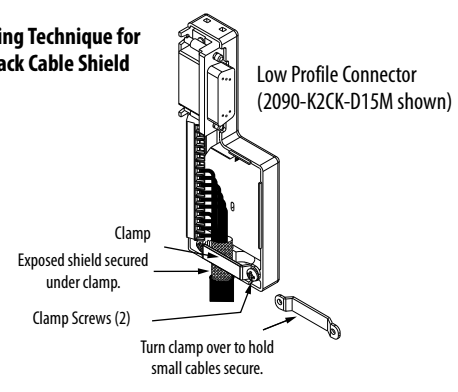
# Kinetix 300 Drive/Actuator Wiring Examples

These wiring diagrams apply to Kinetix 300 drives with compatible linear actuators.

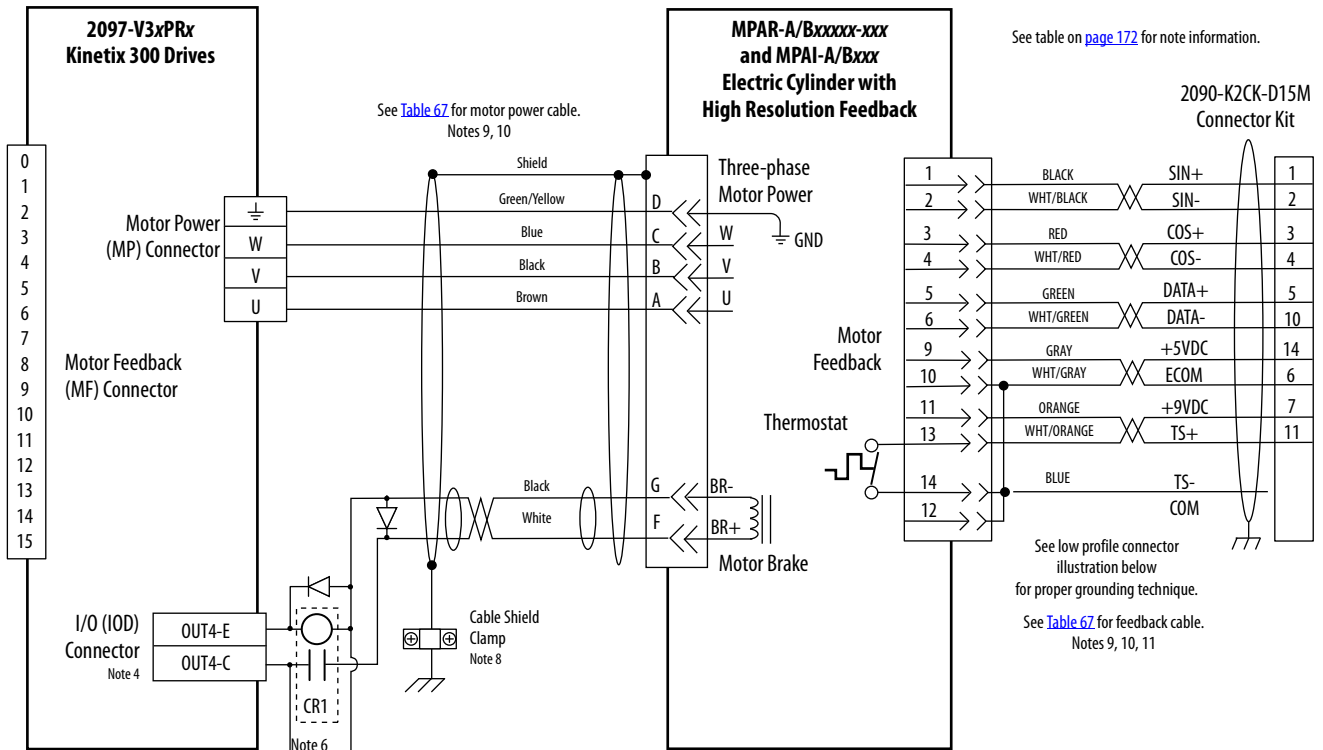
**Figure 91 - Kinetix 300 Drive with MP-Series (Bulletin MPAS-A/B) Linear Stages and LDAT-Series Linear Thrusters**



### Grounding Technique for Feedback Cable Shield



**Figure 92 - Kinetix 300 Drive with MP-Series (Bulletin MPAR and MPAI) Electric Cylinders**



**Table 67 - MP-Series Electric Cylinder Power and Feedback Cables**

MP-Series Electric Cylinder Cat. No.	Frame	Power Cable Cat. No.	Feedback Cable Cat. No.
MPAR-A/B1xxx (series A)	32	2090-XXNPMF-16Sxx (standard)	2090-XXNFMF-Sxx (standard)
MPAR-A/B2xxx (series A)	40	2090-CPxM4DF-16AFxx (continuous-flex)	2090-CFBM4DF-CDAFxx (continuous-flex)
MPAR-A/B1xxx (series B)	32	2090-CPxM7DF-16AAxx (standard)	2090-CFBM7DF-CEAAxx (standard)
MPAR-A/B2xxx (series B)	40	2090-CPxM7DF-16AFxx (continuous-flex)	2090-CFBM7DF-CEAFxx (continuous-flex)
MPAR-A/B3xxx	63		
MPAI-A/B2xxxx	64		
MPAI-A/B3xxxx	83		
MPAR-A/B4xxxx	110		
MPAI-B5xxxx	144		
MPAI-A5xxxx		2090-CPxM7DF-14AAxx (standard) 2090-CPxM7DF-14AFxx (continuous-flex)	

**Grounding Technique for Feedback Cable Shield**

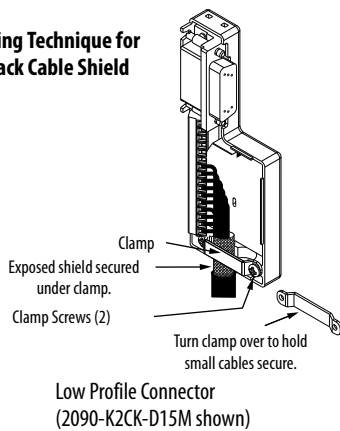
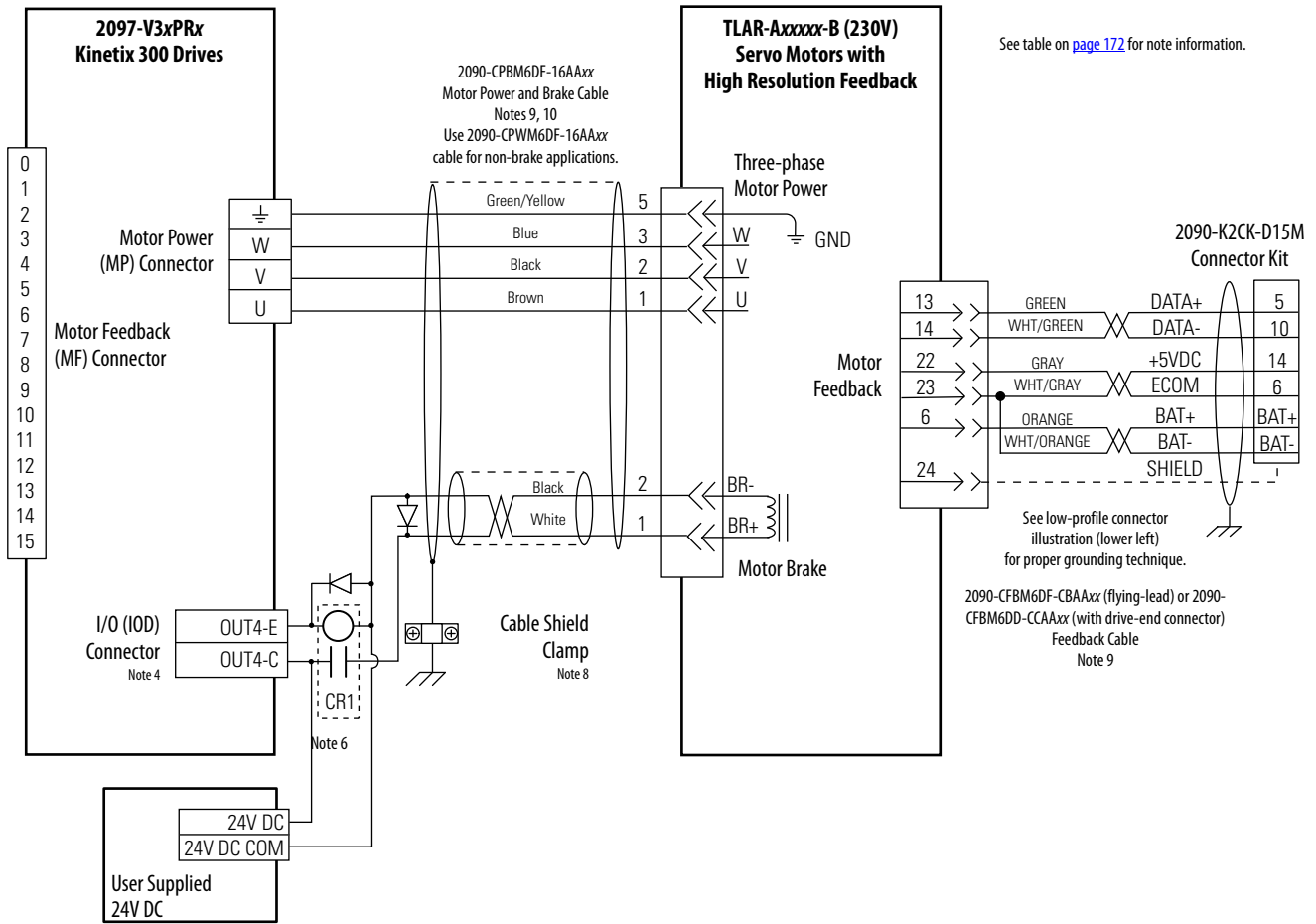
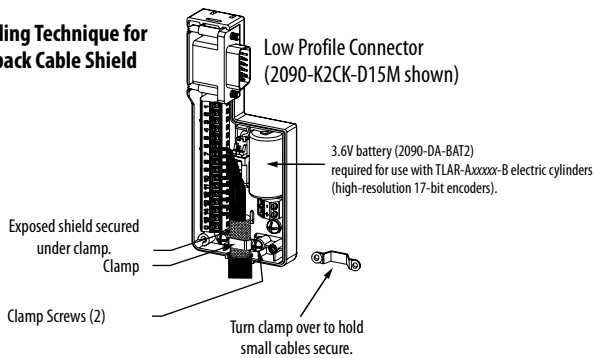


Figure 93 - Kinetix 300 Drive with TL-Series (Bulletin TLAR) Electric Cylinders



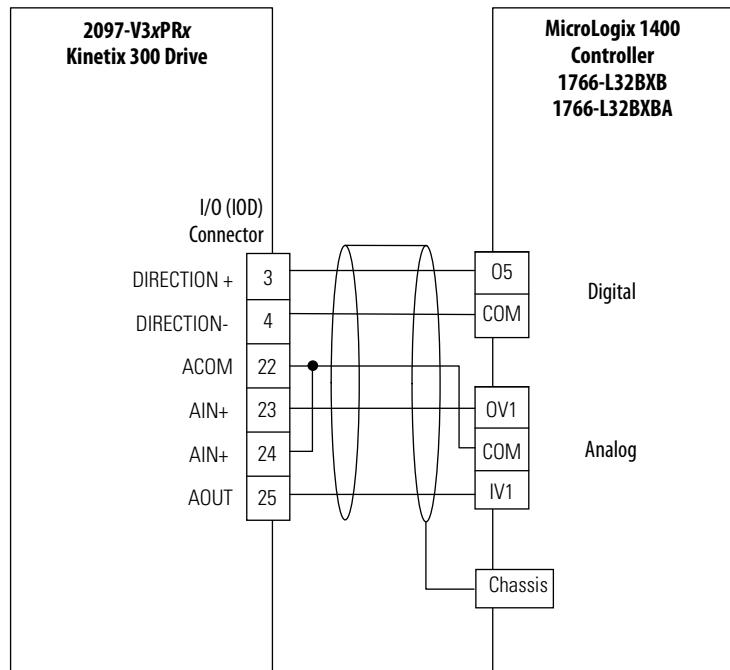
**Grounding Technique for Feedback Cable Shield**



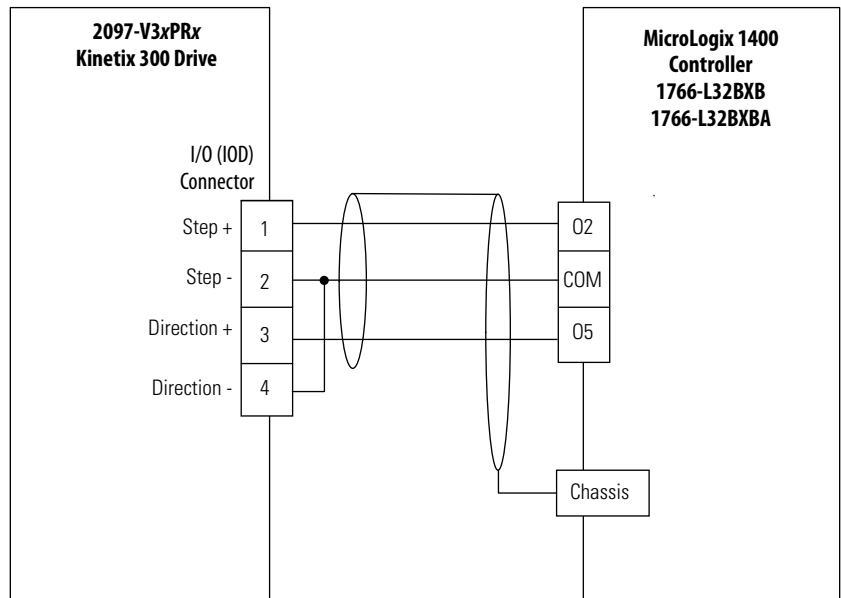
# Kinetix 300 Drive to MicroLogix Controller Wiring Examples

The Kinetix 300 drive accepts unipolar or bipolar inputs.

**Figure 94 - Analog Velocity (or Current) Control Mode**

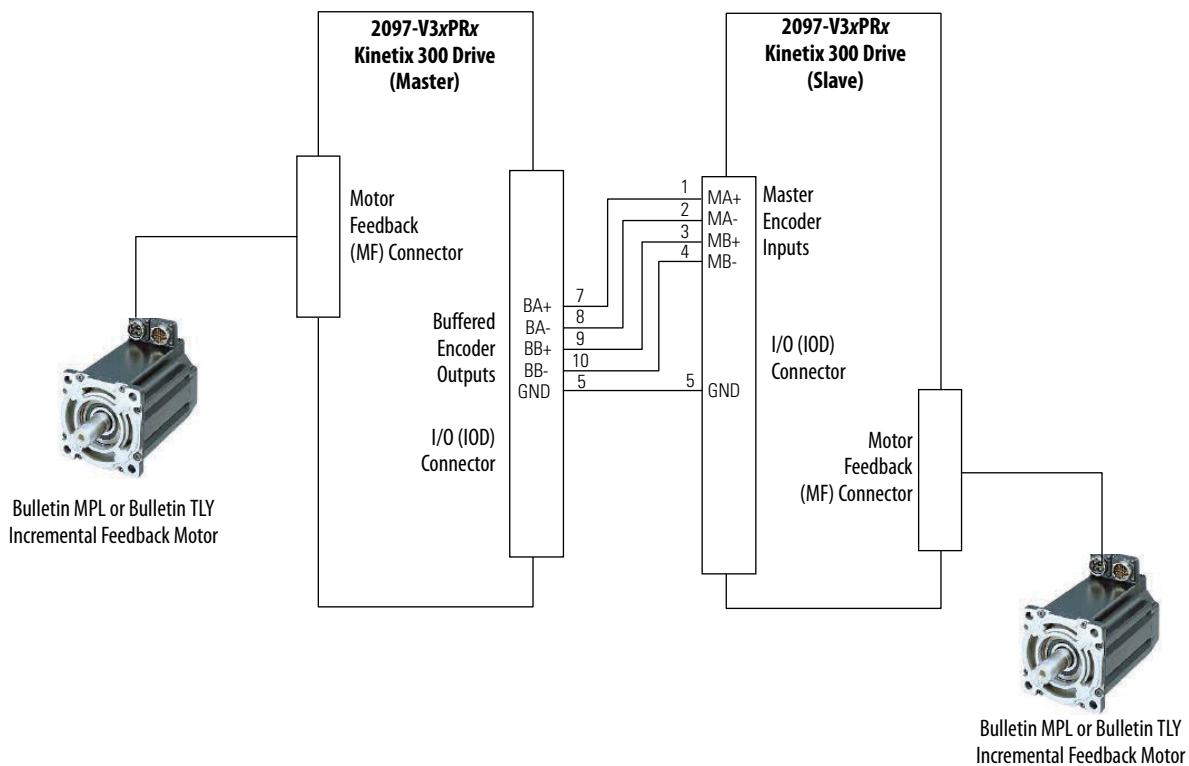


**Figure 95 - Step and Direction**



## Kinetix 300 Drive Master Gearing Wiring Example

This wiring diagram applies to Kinetix 300 drives.



**IMPORTANT** Master Gearing mode is not compatible with SICK-Stegmann or Tamagawa high-resolution motor feedback.



## Motor Brake Currents

Use these coil current values to size the interposing relay required for your application. See the interconnect diagram for your Kinetix 300 drive/motor beginning on [page 176](#) for typical motor brake circuitry.

**Table 68 - Motor Brake Coil Currents**

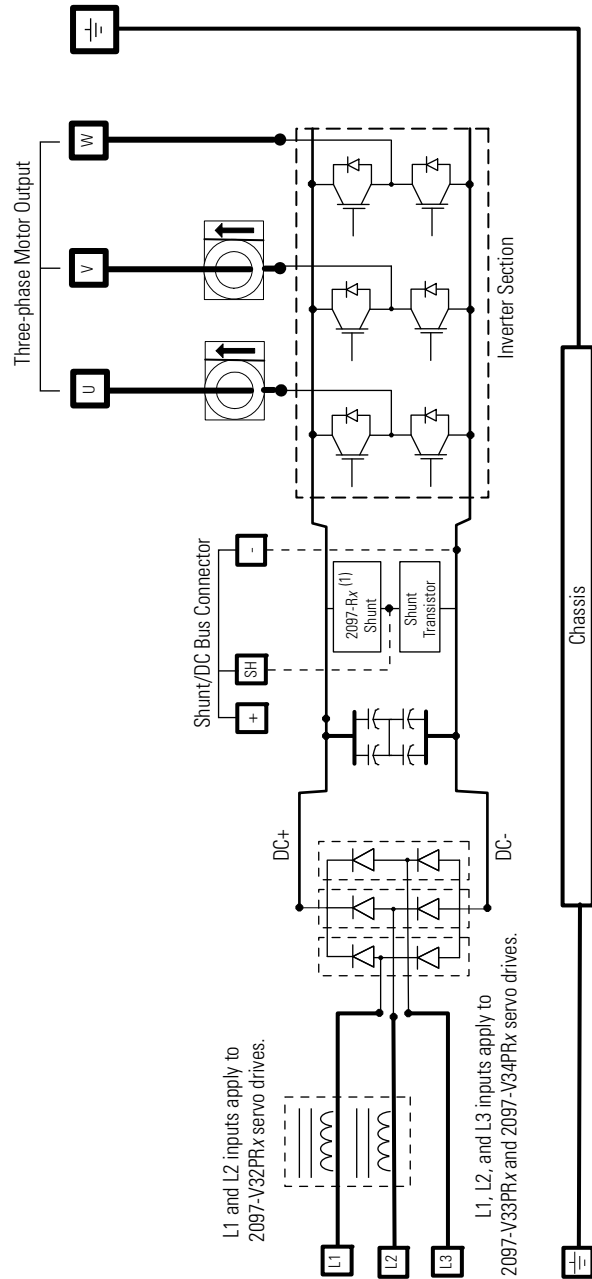
Compatible Brake Motors/Actuators <sup>(1)</sup>	Coil Current
MPL-x1510, MPL-x1520, MPL-x1530	0.43...0.53 A
MPL-x210, MPL-x220, MPL-x230	0.46...0.56 A
MPL/MPF-x310, MPL/MPF-x320, MPL/MPF-x330	0.45...0.55 A
MPM-x115	
MPS-x330	
MPL-x420, MPL-x430, MPL-x4520, MPL-x4530, MPL-x4540, MPL-B4560	0.576...0.704 A
MPM-x130	
MPF-x430, MPF-x4530, MPF-x4540	
MPS-x4540	
TLY-A110T, TLY-A120T, and TLY-A130T	0.18...0.22 A
TLY-A220T and TLY-A230T	0.333...0.407 A
TLY-A2530P, TLY-A2540P, and TLY-A310M	0.351...0.429 A

(1) Use of the variable x indicates this specification applies to 230V and 460V motors.

# System Block Diagrams

This power block diagram applies to 2097-V32PRx, 2097-V33PRx, and 2097-V34PRx servo drives.

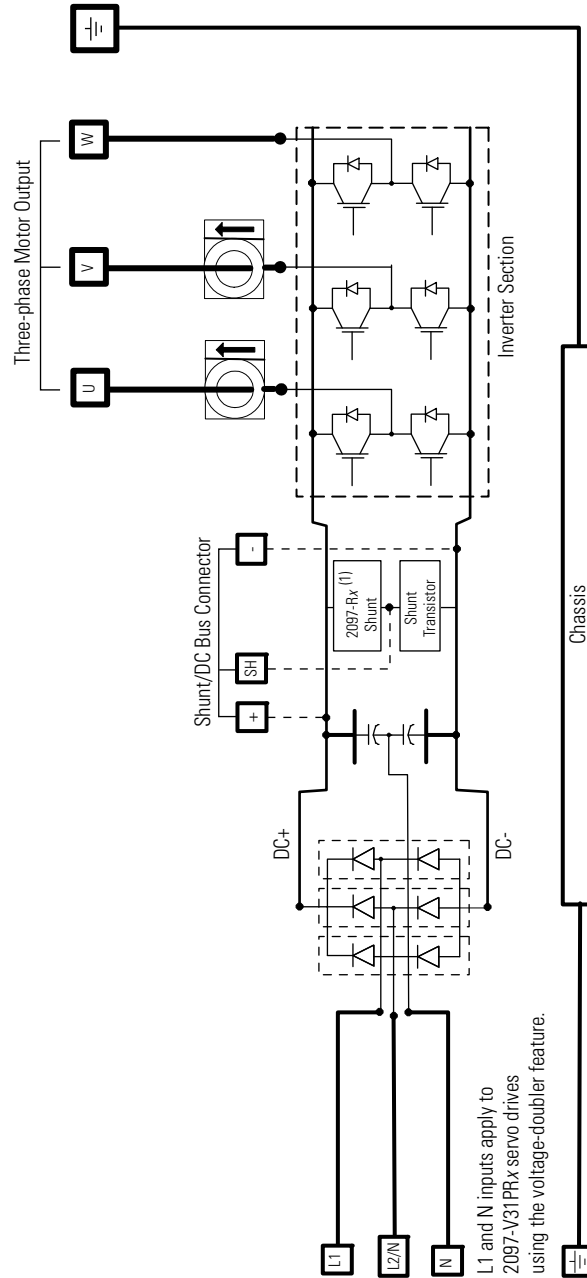
**Figure 96 - Power Block Diagram**



(1) The 2097-Rx shunt module is external to the Kinetix 300 drive.

This power block diagram applies to 2097-V31PRx servo drives. The voltage-doubler circuitry lets the drives with 120V input power get full performance from 240V motors.

**Figure 97 - Voltage Doubler Block Diagram**



(1) The 2097-Rx shunt module is external to the Kinetix 300 drive.

**Notes:**

---

## Input and Output Assembly

Topic	Page
Input and Output Assembly	189
Output Assembly Examples	195

### Input and Output Assembly

The terms input and output refer to the point of view of the scanner device. Output data is produced by the scanner and consumed by the adapter. Input data is produced by the adapter and consumed by the scanner. The Kinetix 300 drive is an adapter device and the controller using RSLogix 5000 software as a scanner device.

The drive contains EtherNet/IP Assembly Object Instances that pertain to these RSLogix 5000 connection parameters:

- Input (actual values such as actual velocity, actual position)
- Output (enable and reference value going to the drive)
- Index Configuration (see [Indexing Category](#) on [page 101](#))

Assembly instances are accessible by using Class 3 explicit messages as well as the Class 1 I/O messaging.

Kinetix 300 drive parameters are modifiable by using Explicit Messaging.

**Table 69 - Drive Object Attributes**

Attribute	Value	Comment
Service type	Get Attribute Single	Service code 0x0E (hex)
	Set Attribute Single	Service code 0x10 (hex)
Class	374	Hex
Instance	ID tag from <a href="#">Appendix C</a>	–
Attribute	0	DINT, RAM
	1	DINT, MEM
	2	REAL, RAM
	3	REAL, MEM
	4	String, RAM
	5	String, MEM

When a Kinetix 300 drive parameter is changed by using explicit messaging, the Set Attribute Single message instruction is directed at this class, the instance is the identifier of the actual parameter and the attribute depends upon the type of data being written.

---

**IMPORTANT** If power is removed from the drive, data stored in RAM is lost. Data stored in the memory module remains through power cycles.

---



---

**IMPORTANT** Memory module writes are limited to 1,000,000 per device. Make sure that all writes targeted at the memory module are necessary and not done as part of a background or cyclic task.

---

**Table 70 - Input Assembly**

RSLogix 5000 Tags	Description
Fault	A non-zero value in this field means the connection to the drive is not operational and no other fields in the Input Assembly should be used.
DriveEn	A non-zero value in this field means the drive is currently enabled and the servo loops are closed.
PhysicalAxisFault	A non-zero value in this field means the drive has faulted.
PositionLockStatus	A non-zero value in this field means the drive is within the position tolerance window of the commanded position.
CurrentLimitStatus	A non-zero value in this field means the drive has reached the current limit. This does not mean the drive is limiting current if the current limit was set to a lower value than the drive or motor supports.
RegistrationEventStatus	A non-zero value in this field means the drive has captured a registration event and position.
IndexingStatus	A non-zero value in this field means the drive is currently operating out of the indexing table within the drive.
MotionComplete	A non-zero value in this field means the drive has completed a position based move. This bit does not apply when in Indexing Current mode.
PositiveOvertravellInput	A non-zero value in this field means the positive overtravel input to the drive has been asserted.
NegativeOvertravellInput	A non-zero value in this field means the negative overtravel input to the drive has been asserted.
HomingStatus	A non-zero value in this field means the drive is currently homing as configured by the Homing section of the MotionView software.
AxisHomedStatus	A non-zero value in this field means the drive has been successfully homed.
VelocityStandstillStatus	A non-zero value in this field means the drive is within the configured tolerance for being at zero velocity.

**Table 70 - Input Assembly (continued)**

<b>RSLogix 5000 Tags</b>	<b>Description</b>
VelocityLockStatus	A non-zero value in this field means the drive is within the configured tolerance around the commanded velocity.
PowerStructureEn	A non-zero value in this field means the drive power structure is currently enabled and providing current to the motor.
DigitalInputA1Status	A non-zero value in this field means this digital input on the drive is currently asserted.
DigitalInputA2Status	A non-zero value in this field means this digital input on the drive is currently asserted.
DigitalInputA3Status	A non-zero value in this field means this digital input on the drive is currently asserted.
DigitalInputA4Status	A non-zero value in this field means this digital input on the drive is currently asserted.
DigitalInputB1Status	A non-zero value in this field means this digital input on the drive is currently asserted.
DigitalInputB2Status	A non-zero value in this field means this digital input on the drive is currently asserted.
DigitalInputB3Status	A non-zero value in this field means this digital input on the drive is currently asserted.
DigitalInputB4Status	A non-zero value in this field means this digital input on the drive is currently asserted.
DigitalInputC1Status	A non-zero value in this field means this digital input on the drive is currently asserted.
DigitalInputC2Status	A non-zero value in this field means this digital input on the drive is currently asserted.
DigitalInputC3Status	A non-zero value in this field means this digital input on the drive is currently asserted.
DigitalInputC4Status	A non-zero value in this field means this digital input on the drive is currently asserted.
ActiveIndex	This field indicates the currently executing index from within the indexing table in the drive.
ActualVelocity	This field indicates the current velocity of the motor controlled by the drive.
ActualPosition	This field indicates the current position of the motor controlled by the drive.
PositionCommand	This field indicates the position the drive is moving the motor towards.
PositionError	This field indicates the error between the current command position and the actual position.
MotorCurrent	This field indicates the average RMS current being applied to the motor.
RegistrationPosition	This field indicates the position the motor was at when the registration input was asserted.
UserDefinedIntegerData0	This field is a copy of the current value of whatever parameter it was configured to be in the MotionView software (Data Link).
UserDefinedIntegerData1	This field is a copy of the current value of whatever parameter it was configured to be in the MotionView software (Data Link).
UserDefinedIntegerReal0	This field is a copy of the current value of whatever parameter it was configured to be in the MotionView software (Data Link).
UserDefinedIntegerReal1	This field is a copy of the current value of whatever parameter it was configured to be in the MotionView software (Data Link).

**Table 71 - Input Assembly Instance (Assembly 113)**

Byte	Bit 7	Bit 6	Bit 5	Bit 4	Bit 3	Bit 2	Bit 1	Bit 0
0	Reserved	Registration EventStatus	Current LimitStatus	Reserved	Reserved	Position LockStatus	Physical AxisFault	Drive En
1...3	Reserved							
4	Reserved	Axis Homed Status	Homing Status	Negative Overtravel Input	Positive Overtravel Input	Reserved	Motion Complete	Indexing Status
5...7	Reserved							
8	Reserved					Power Structure En	Velocity LockStatus	Velocity Standstill Status
9...11	Reserved							
12	Digital Input B4Status	Digital Input B3Status	Digital Input B2Status	Digital Input B1Status	Digital Input A4Status	Digital Input A3Status	Digital Input A2Status	Digital Input A1Status
13...15	Reserved							
16	Reserved				Digital Input C4Status	Digital Input C3Status	Digital Input C2Status	Digital Input C1Status
17...19	Reserved							
20...23	ActiveIndex (DINT)							
24...27	ActualVelocity (REAL)							
28...31	ActualPosition (REAL)							
32...35	PositionCommand (REAL)							
36...39	PositionError (REAL)							
40...43	MotorCurrent (REAL)							
44...47	RegistrationPosition (REAL)							
48...51	UserDefinedIntegerData0 (DINT)							
52...55	UserDefinedIntegerData1 (DINT)							
56...59	UserDefinedIntegerReal0 (REAL)							
60...64	UserDefinedIntegerReal1 (REAL)							

In this Input Assembly example, the parameter ActiveIndex with a range of 24...27 bytes is expanded to show the low byte, low middle byte, high middle byte, and high byte. These values are typical for each parameter in [Table 71](#).

**Table 72 - Input Assembly Example**

Byte	Parameter Value
20	ActiveIndex - Low byte
21	ActiveIndex - Low middle byte
22	ActiveIndex - High middle byte
23	ActiveIndex - High byte



**Table 73 - Output Assembly**

<b>RSLogix 5000 Tags</b>	<b>Description</b>
AbortIndex	Upon transition from 0 to 1 of this field the drive aborts the current index or position based move the drive is executing and decel to zero velocity.
StartMotion	Upon transition from 0 to 1 of this field the drive begins moving towards the position in the CommandPosition field below assuming the drive is enabled.
DefineHome	Upon transition from 0 to 1 of this field the drive defines the current position of the motor to be home.
AbortHoming	Upon transition from 0 to 1 of this field the drive aborts (decel to zero velocity) the homing operation.
StartHoming	Upon transition from 0 to 1 of this field the drive begins homing as configured by the Homing section of the MotionView software assuming the drive is enabled.
DriveEn	Upon transition from 0 to 1 of this field the drive enables, it turns on power structure, closes servo loops, tracks commands.
StartingIndex	This field defines the first index the drive should execute if the drive is operating in Indexing mode.
ReferenceSource	This field defines the type of control being exerted over EtherNet/IP network (0 = current, 1 = velocity, 2 = incremental position, 3 = absolute position, 4 = incremental registration, 5 = absolute registration, 6=Rotary Absolute, 7=Rotary Incremental, 8=Rotary Shortest Path, 9=Rotary Positive, 10=Rotary Negative).
AccelerationLimit	This field defines the maximum acceleration the drive uses in accelerating towards the commanded position.
DecelerationLimit	This field defines the maximum deceleration the drive uses in accelerating towards the commanded position.
CommandCurrentOrVelocity	This field defines the commanded current (Amps RMS) or Velocity (User Units/s) if the ReferenceSource is 0 or 1 respectively and the drive is enabled.
VelocityLimit	This field defines the maximum velocity the drive uses in the profile towards the commanded position.
CommandPosition	This field defines the next position command the drive should move the motor towards, takes effect only upon 0 to 1 transition of StartMotion field above.
RegistrationOffset	This field defines the offset from the registration event the drive should move to during an incremental or absolute registration based move.
UserDefinedIntegerData0	The value in this field is written to whatever parameter it was configured to be in the MotionView software (Data Link).
UserDefinedIntegerData1	The value in this field is written to whatever parameter it was configured to be in the MotionView software (Data Link).
UserDefinedIntegerReal0	The value in this field is written to whatever parameter it was configured to be in the MotionView software (Data Link).
UserDefinedIntegerReal1	The value in this field is written to whatever parameter it was configured to be in the MotionView software (Data Link).

**Table 74 - Output Assembly Instance (Assembly 114)**

Byte	Bit 7	Bit 6	Bit 5	Bit 4	Bit 3	Bit 2	Bit 1	Bit 0
0	Drive En	Reserved	Start Homing	Abort Homing	Define Home	Start Motion	Reserved	Abort Index
1	Reserved							
2	Reserved							
3	Reserved							
4...7	StartingIndex (DINT)							
8...11	ReferenceSource (DINT)							
12...15	AccelerationLimit (REAL)							
16...19	DecelerationLimit (REAL)							
20...23	CommandCurrentOrVelocity (REAL)							
24...27	VelocityLimit (REAL)							
28...31	CommandPosition (REAL)							
32...35	RegistrationOffset (REAL)							
36...39	UserDefinedIntegerData0 (DINT)							
40...43	UserDefinedIntegerData1 (DINT)							
44...47	UserDefinedIntegerReal0 (REAL)							
48...51	UserDefinedIntegerReal1 (REAL)							

In this Output Assembly example, the parameter StartingIndex with a range of 4...7 bytes is expanded to show the low byte, low middle byte, high middle byte, and high byte. These values are typical for each parameter in [Table 74](#).

**Table 75 - Output Assembly Example**

Byte	Parameter Value
4	StartingIndex - Low byte
5	StartingIndex - Low middle byte
6	StartingIndex - High middle byte
7	StartingIndex - High byte

The Attribute Values in this example only apply to Class 374 and not to Class 4 (Assembly Objects).

## Output Assembly Examples

This section provides examples of various motion profiles by showing which tags in the Output Assembly to manipulate.

You can manage the values in the Output Assembly by manipulating them in ladder code or by editing the tag directly in the tag structure.

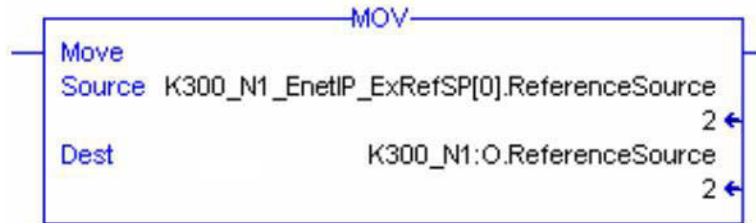
---

**IMPORTANT** The Kinetix 300 drive must be in EtherNet/IP External Reference mode.

---

This is an example of moving a value into the .ReferenceSource of the Output Assembly.

**Figure 98 - Set Value of Output Assembly Tag**



This is an example of latching-on the .StartMotion bit of the Output Assembly.

**Figure 99 - Turn-on the Output Assembly Tag**



This is an example of turning on the .StartMotion bit of the Output Assembly by editing the tag directly.

**Figure 100 - Changing a Value in the Output Assembly Tag Structure**

	Name	△	Value	←
+	K300_N1:I		{...}	
-	K300_N1:O		{...}	
	-K300_N1:O.AbortIndex		0	
	-K300_N1:O.StartMotion		<input type="text" value="1"/>	
	-K300_N1:O.DefineHome		0	
	-K300_N1:O.AbortHoming		0	

## Incremental Position Point-to-Point Profile

To execute an incremental position move, set these tag values as shown.

**Table 76 - Output Assembly Tags**

RSLogix 5000 Tags	Value
ReferenceSource	Set value to 2.
CommandPosition	Configure the motion profile by setting tags to the desired values.
VelocityLimit	
AccelerationLimit	
DecelerationLimit	
DriveEn	Enable the drive by turning tag on.
StartMotion	Start profile by turning tag on.

## Velocity Motion Profile

To execute a velocity move, set these tag values as shown.

**Table 77 - Output Assembly Tags**

ID Tag	RSLogix 5000 Tags	Value
N/A	ReferenceSource	Set value to 1.
N/A	CommandCurrentOrVelocity	Set the velocity value.
75 <sup>(1)</sup>	Enable Accel/Decel function/limits for Velocity mode	<ul style="list-style-type: none"> <li>Use internal defaults for Accel/Decel (ID 75 set to 0 = Disable).</li> <li>Set Accel/Decel values by writing to ID 76 and 77 by using explicit messaging (See Appendix D on <a href="#">page 211</a>). Tag 75 must be set to 1 = Enabled, for the values to be used.</li> </ul>
76 <sup>(1)</sup>	Accel value for Velocity mode	
77 <sup>(1)</sup>	Decel value for Velocity mode	
N/A	DriveEn	Enable the drive by turning tag on.

(1) You can also set these parameters by using MotionView software, General category>Velocity Mode Acceleration.

---

## Kinetix 300 Drive ID Tag Numbers

Topic	Page
Tag Number Descriptions	197
Index Base Addressing	210

### Tag Number Descriptions

To change these parameters by using an Explicit Message you configure the message to target class 374. The instance corresponds to the ID tag number in [Table 78](#). The attribute is defined by the [Drive Object Attributes](#) table on [page 190](#).

---

**IMPORTANT** Memory module writes are limited to 1,000,000 per device. Make sure that all writes targeted at the memory module are necessary and not done as part of a background or cyclic task.

---









Table 78 - Kinetix 300 Drive Tag Numbers (continued)

ID	Data Type	Access	Description	Value/Notes	MotionView Page Used																		
					Top Level	Motor-Synchronous	Motor-Linear	General-Synchronous	General-Linear	EtherNet	EtherNet/IP (CIP)	Digital I/O	Analog I/O	Velocity Limits	Position Limits	Dynamics	Indexing	Homing	Monitor	Faults			
85	DINT	R/W	Analog output function	0 = Not assigned 1 = Phase Current (RMS) 2 = Phase Current (Peak Value) 3 = Motor Velocity 4 = Phase Current U 5 = Phase Current V 6 = Phase Current W 7 = Iq current 8 = Id current	X																		
86	REAL	R/W	Analog output scale for velocity quantities	Range: 0...10 mV/rpm	X																		
87	REAL	R/W	Analog output scale for current related quantities	Range: 0...10 V/A	X																		
88	REAL	W	Analog output value. Allows control of analog output through this tag value. Used if tag #85 is set to 0.	Range: 0...10V																		X	
89	REAL	R/W	Analog input #1 dead-band. Applied when used as current or velocity reference.	Range: 0...100 mV	X																		
90	REAL	R/W	Analog input #1 offset. Applied when used as current/velocity reference	Range: -10,000...+10,000 mV	X																		
178	REAL	R/W	The deceleration rate that the drive will use to bring the motor to a stop when either the Abort Homing or Abort Index Digital Inputs is asserted (if configured) or either the AbortIndex or AbortHoming bit is set in the EtherNet/IP Output Assembly.	User units per seconds <sup>2</sup>										X									
179	DINT	R/W	The tolerance in user units around the commanded position inside of which the drive will set the PositionLockStatus bit in the EtherNet/IP Input Assembly.	User units											X								
181	REAL	R/W	User units	Revolutions of motor per user unit																			
182	DINT	R/W	Encoder input counter value, reset by writing zero or other value to the parameter.	Counts																			X
183	REAL	R	Phase current	Amps																			X
184	DINT	R/W	Target position	Encoder pulses																			X
185	DINT	R/W	Actual position	Encoder pulses																			X
186	DINT	R	Position error	Encoder pulses																			X
189	DINT	R/W	Input A1 de-bounce time	Range: 0...1000ms																		X	
190	DINT	R/W	Input A2 de-bounce time	Range: 0...1000ms																		X	

Table 78 - Kinetix 300 Drive Tag Numbers (continued)

ID	Data Type	Access	Description	Value/Notes	MotionView Page Used																		
					Top Level	Motor-Synchronous	Motor-Linear	General-Synchronous	General-Linear	Ethernet	EtherNet/IP (CIP)	Digital I/O	Analog I/O	Velocity Limits	Position Limits	Dynamics	Indexing	Homing	Monitor	Faults			
191	DINT	R/W	Input A3 de-bounce time	Range: 0...1000ms							X												
192	DINT	R/W	Input A4 de-bounce time	Range: 0...1000ms							X												
193	DINT	R/W	Input B1 de-bounce time	Range: 0...1000ms							X												
194	DINT	R/W	Input B2 de-bounce time	Range: 0...1000ms							X												
195	DINT	R/W	Input B3 de-bounce time	Range: 0...1000ms							X												
196	DINT	R/W	Input B4 de-bounce time	Range: 0...1000ms							X												
197	DINT	R/W	Input C1 de-bounce time	Range: 0...1000ms							X												
198	DINT	R/W	Input C2 de-bounce time	Range: 0...1000ms							X												
199	DINT	R/W	Input C3 de-bounce time	Range: 0...1000ms							X												
200	DINT	R/W	Input C4 de-bounce time in ms	Range: 0...1000							X												
201	DINT	R/W	Programmable Output Function: OUT1	0 = Not Assigned 1 = Zero Speed 2 = In Speed Window 3 = Current Limit 4 = Run time fault 5 = Ready 6 = Brake 7 = In position							X												
202	DINT	R/W	Programmable Output Function: OUT2	0 = Not Assigned 1 = Zero Speed 2 = In Speed Window 3 = Current Limit 4 = Run time fault 5 = Ready 6 = Brake 7 = In position								X											
203	DINT	R/W	Programmable Output Function: OUT3	0 = Not Assigned 1 = Zero Speed 2 = In Speed Window 3 = Current Limit 4 = Run time fault 5 = Ready 6 = Brake 7 = In position									X										







Table 78 - Kinetix 300 Drive Tag Numbers (continued)

ID	Data Type	Access	Description	Value/Notes	Top Level	Motor-Synchronous	Motor-Linear	General-Synchronous	General-Linear	EtherNet	EtherNet/IP (CIP)	Digital I/O	Analog I/O	Velocity Limits	Position Limits	Dynamics	Indexing	Homing	Monitor	Faults	
626	DINT	R/W	Programmable input assignment for input B2	0 = Not Assigned 1 = Abort Index 2 = (Reserved) 3 = Start Index 4 = Define Home 5 = Abort Homing 6 = Start Homing 7 = Fault Reset 8 = Index Select 0 9 = Index Select 1 10 = Index Select 2 11 = Index Select 3 12 = Index Select 4								X									
627	DINT	R/W	Programmable input assignment for input B3	0 = Not Assigned 1 = Abort Index 2 = (Reserved) 3 = Start Index 4 = Define Home 5 = Abort Homing 6 = Start Homing 7 = Fault Reset 8 = Index Select 0 9 = Index Select 1 10 = Index Select 2 11 = Index Select 3 12 = Index Select 4								X									
628	DINT	R/W	Programmable input assignment for input B4	0 = Not Assigned 1 = Abort Index 2 = (Reserved) 3 = Start Index 4 = Define Home 5 = Abort Homing 6 = Start Homing 7 = Fault Reset 8 = Index Select 0 9 = Index Select 1 10 = Index Select 2 11 = Index Select 3 12 = Index Select 4								X									

**Table 78 - Kinetix 300 Drive Tag Numbers (continued)**

ID	Data Type	Access	Description	Value/Notes	MotionView Page Used														
					Top Level	Motor-Synchronous	Motor-Linear	General-Synchronous	General-Linear	EtherNet	EtherNet/IP (CIP)	Digital I/O	Analog I/O	Velocity Limits	Position Limits	Dynamics	Indexing	Homing	Monitor
629	DINT	R/W	Programmable input assignment for input C1	0 = Not Assigned 1 = Abort Index 2 = (Reserved) 3 = Start Index 4 = Define Home 5 = Abort Homing 6 = Start Homing 7 = Fault Reset 8 = Index Select 0 9 = Index Select 1 10 = Index Select 2 11 = Index Select 3 12 = Index Select 4	X														
630	DINT	R/W	Programmable input assignment for input C2	0 = Not Assigned 1 = Abort Index 2 = (Reserved) 3 = Start Index 4 = Define Home 5 = Abort Homing 6 = Start Homing 7 = Fault Reset 8 = Index Select 0 9 = Index Select 1 10 = Index Select 2 11 = Index Select 3 12 = Index Select 4	X														
631	DINT	R/W	Programmable input assignment for input C4	0 = Not Assigned 1 = Abort Index 2 = (Reserved) 3 = Start Index 4 = Define Home 5 = Abort Homing 6 = Start Homing 7 = Fault Reset 8 = Index Select 0 9 = Index Select 1 10 = Index Select 2 11 = Index Select 3 12 = Index Select 4	X														
632	DINT	W	Indexing starts from index specified	0...31														X	
633	DINT	R	Aborts index in progress	Uses the AbortDecel parameter (#178) to go to zero velocity															
634	DINT	R	Aborts homing in progress	Uses the AbortDecel parameter (#178) to go to zero velocity															





Table 78 - Kinetix 300 Drive Tag Numbers (continued)

ID	Data Type	Access	Description	Value/Notes	MotionView Page Used																			
					Top Level	Motor-Synchronous	Motor-Linear	General-Synchronous	General-Linear	EtherNet	EtherNet/IP (CIP)	Digital I/O	Analog I/O	Velocity Limits	Position Limits	Dynamics	Indexing	Homing	Monitor	Faults				
672	REAL	R/W	Current output clamp.	Range: 0...400%				X																
676	REAL	R/W	User units scaling.	Range: 1...1000000				X																
678	DINT	R/W	Measure units.	0 = µm 1 = m 2 = in.					X															

(1) The hardware overtravel configuration in the MotionView OnBoard software has been enhanced to allow the configuration of the inputs as normally open or normally closed when this firmware is used on hardware revision 1B. The hardware revision can be found by reading the last four digits of the Type field on the carton label.

## Index Base Addressing

There are 11 tags per index and 32 indexes total.

**Table 79 - Index Base Address**

Index $x$ = Base Address (B)	Index $x$ = Base Address (B)
Index 0 = 272	Index 16 = 448
Index 1 = 283	Index 17 = 459
Index 2 = 294	Index 18 = 470
Index 3 = 305	Index 19 = 481
Index 4 = 316	Index 20 = 492
Index 5 = 327	Index 21 = 503
Index 6 = 338	Index 22 = 514
Index 7 = 349	Index 23 = 525
Index 8 = 360	Index 24 = 536
Index 9 = 371	Index 25 = 547
Index 10 = 382	Index 26 = 558
Index 11 = 393	Index 27 = 569
Index 12 = 404	Index 28 = 580
Index 13 = 415	Index 29 = 591
Index 14 = 426	Index 30 = 602
Index 15 = 437	Index 31 = 613

**Table 80 - Indexing Tag Numbers**

ID	Data Type	Access	Description	Value/Notes
B+0	DINT	R/W	Index move type of absolute, incremental, registration or blended incremental for index 0...31.	0 = Absolute 1 = Incremental 2 = Registered Absolute 3 = Registered Incremental 4 = Blended
B+1	DINT	R/W	Trapezoidal or S-curve move for index 0...31.	0 = Trapezoidal 1 = S-Curve
B+2	DINT	R/W	Maximum distance to move for index 0...31.	Distance (how far to move)
B+3	DINT	R/W	Relative distance to move after registration event for registration types for index 0...31.	Move distance after registration
B+4	DINT	R/W	Batch count. Number of times to repeat index before executing for index 0...31.	Range: 0...1000 counts
B+5	DINT	R/W	Dwell time to remain at current position before executing for index 0...31	Range: 0...10,000 ms
B+6	DINT	R/W	Maximum velocity in UU while in motion for index 0...31	Velocity (speed when moving towards new position)
B+7	DINT	R/W	Maximum acceleration in UU while in motion for index 0...31	Acceleration (how quickly towards configured velocity)
B+8	DINT	R/W	Maximum deceleration in UU while in motion for index 0...31	Deceleration (how quickly towards zero velocity from configured velocity)
B+9	DINT	R/W	Next index to execute if action so indicates for index 0...31	Next Index (next index to execute if any)
B+10	DINT	R/W	Action to execute upon completing motion for index 0...31	0 - Stop 1 = Wait for Start 2 = Next Index

## MicroLogix Explicit Messaging

You can use MicroLogix CIP Generic (MSG) instructions, also known as explicit messages, to read and write to the drive ID tags over the EtherNet/IP network. This capability is present in the MicroLogix 1100 Series B and MicroLogix 1400 controllers. You can write to read/write (R/W) ID tags, however, read (R) ID tags are read-only. For the complete list of Kinetix 300 ID tags, see [Appendix C](#).

Topic	Page
Explicit Messaging Data Types	211
Explicit Messaging Data Type Examples	212

### Explicit Messaging Data Types

ID tags are designated as either DINT, REAL, or string data types. The MicroLogix controller uses long file elements, such as L12:0 for DINT data types, floating point file elements, such as F13:0, for Real data types, and string file elements, such as ST14:0 for string data types.

The attribute value is used to designate the data format as DINT, REAL, string, and the memory location as volatile or nonvolatile.

**Table 81 - Data Type Attributes**

Attribute	Format	Memory Stored In
0	DINT	Volatile
1	DINT	Nonvolatile
2	REAL	Volatile
3	REAL	Nonvolatile
4	String	Volatile
5	String	Nonvolatile

Explicit messaging lets DINT data types to be read into and written from long file elements directly and Real data types to be read into and written from floating point file elements directly. String data types must be read into integer file elements, such as N11:0, by the MSG instruction and then copied into a string file element. Similarly strings must be copied into integer file elements first before being written by the MSG instruction.

**IMPORTANT** For each CIP Generic message (MSG) instruction, you must use both a unique message file element, for example MG9:0 and a unique extended routing information file element, for example RIX10:0. The routing information file element stores not only the path to the destination Kinetix 300 drive IP address, but also the specific Class/Instance/Attribute settings.

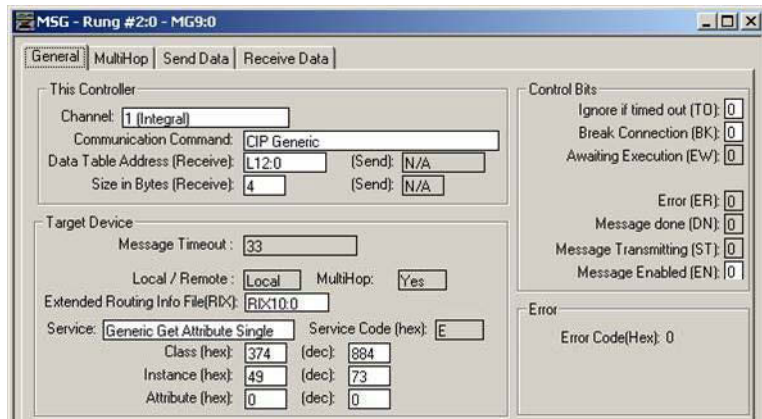
## Explicit Messaging Data Type Examples

This section provides examples for DINT, REAL, and String data types.

### DINT Data Type Examples

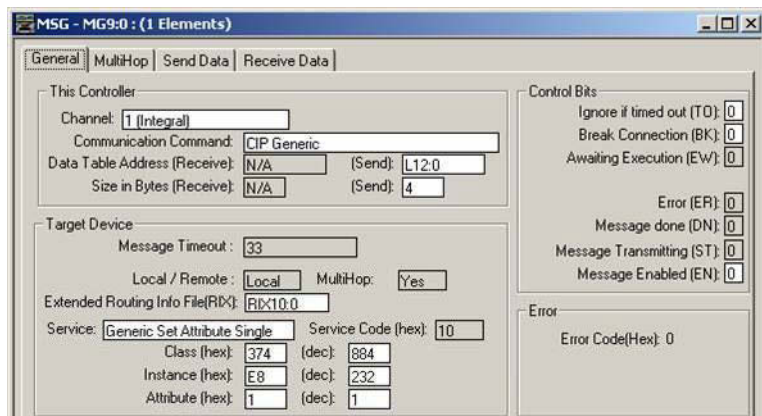
In this example, the instance decimal is ID tag 73 (bus voltage).

**Figure 101 - Reading DINT from Volatile Memory**



In this example, the instance decimal is ID tag 232 (homing method).

**Figure 102 - Writing DINT into Nonvolatile Memory**



## REAL Data Type Examples

In this example, the instance decimal is ID tag 183 (phase current).

**Figure 103 - Reading REAL from Volatile Memory**

The screenshot shows the 'MSG - MG9:0 : (1 Elements)' dialog box with the 'General' tab selected. The configuration is as follows:

- This Controller:**
  - Channel: 1 (Integral)
  - Communication Command: CIP Generic
  - Data Table Address (Receive): F13:0 (Send: N/A)
  - Size in Bytes (Receive): 4 (Send: N/A)
- Target Device:**
  - Message Timeout: 33
  - Local / Remote: Local MultiHop: Yes
  - Extended Routing Info File(RIX): RIX10:0
  - Service: Generic Get Attribute Single Service Code (hex): E
  - Class (hex): 374 (dec): 884
  - Instance (hex): 87 (dec): 183
  - Attribute (hex): 2 (dec): 2
- Control Bits:**
  - Ignore if timed out (TO): 0
  - Break Connection (BK): 0
  - Awaiting Execution (EW): 0
  - Error (ER): 0
  - Message done (DN): 0
  - Message Transmitting (ST): 0
  - Message Enabled (EN): 0
- Error:**
  - Error Code(Hex): 0

In this example, the instance decimal is ID tag 58 (zero speed window).

**Figure 104 - Writing REAL into Nonvolatile Memory**

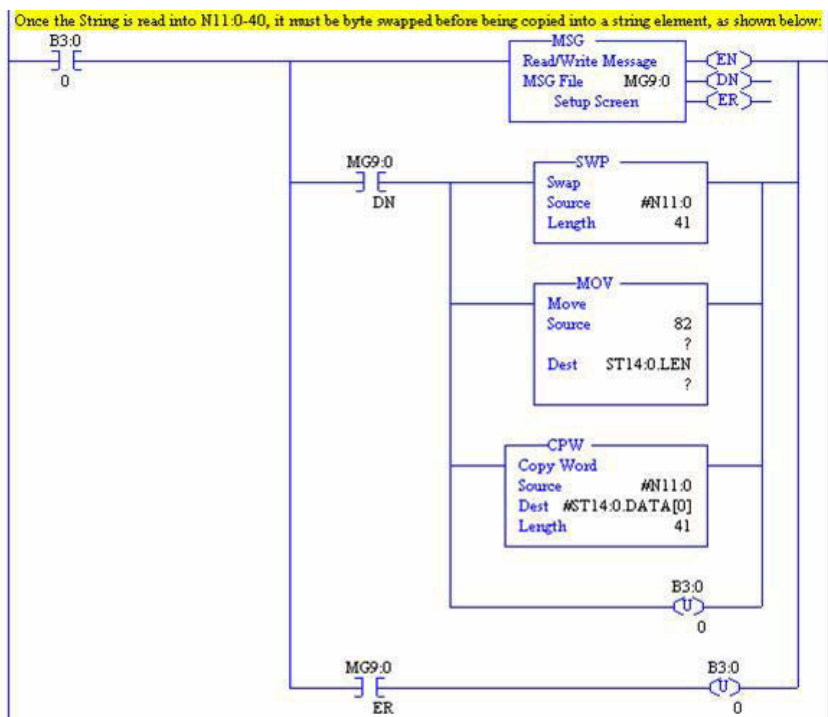
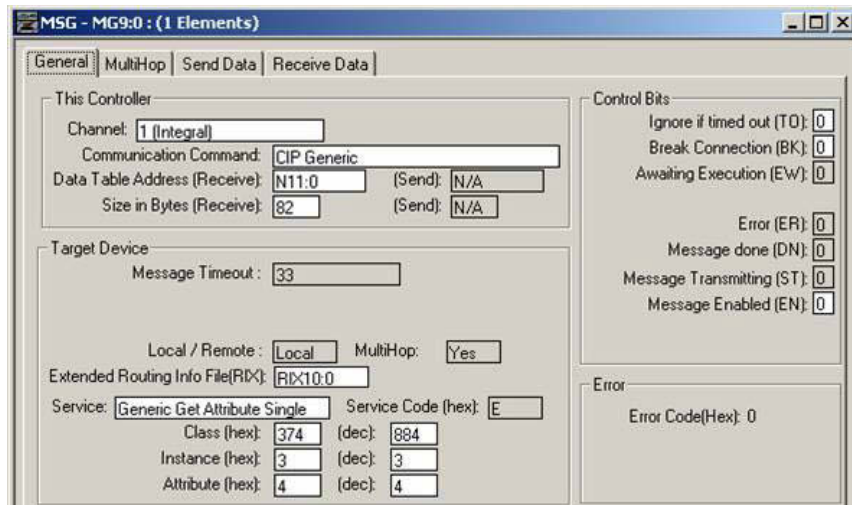
The screenshot shows the 'MSG - MG9:0 : (1 Elements)' dialog box with the 'General' tab selected. The configuration is as follows:

- This Controller:**
  - Channel: 1 (Integral)
  - Communication Command: CIP Generic
  - Data Table Address (Receive): N/A (Send: F13:0)
  - Size in Bytes (Receive): N/A (Send: 4)
- Target Device:**
  - Message Timeout: 33
  - Local / Remote: Local MultiHop: Yes
  - Extended Routing Info File(RIX): RIX10:0
  - Service: Generic Set Attribute Single Service Code (hex): 10
  - Class (hex): 374 (dec): 884
  - Instance (hex): 3A (dec): 58
  - Attribute (hex): 3 (dec): 3
- Control Bits:**
  - Ignore if timed out (TO): 0
  - Break Connection (BK): 0
  - Awaiting Execution (EW): 0
  - Error (ER): 0
  - Message done (DN): 0
  - Message Transmitting (ST): 0
  - Message Enabled (EN): 0
- Error:**
  - Error Code(Hex): 0

## String Data Type Examples

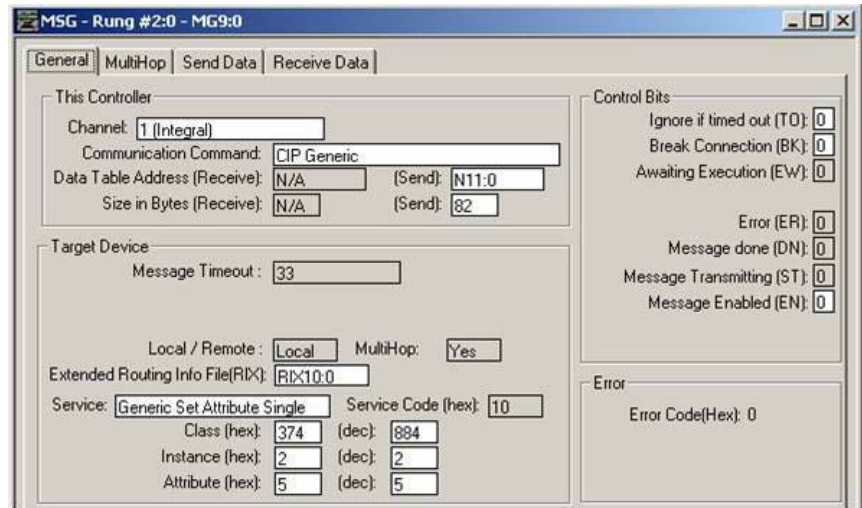
In this example, the instance decimal is ID tag 3 (drive serial number).

Figure 105 - Reading String from Volatile Memory

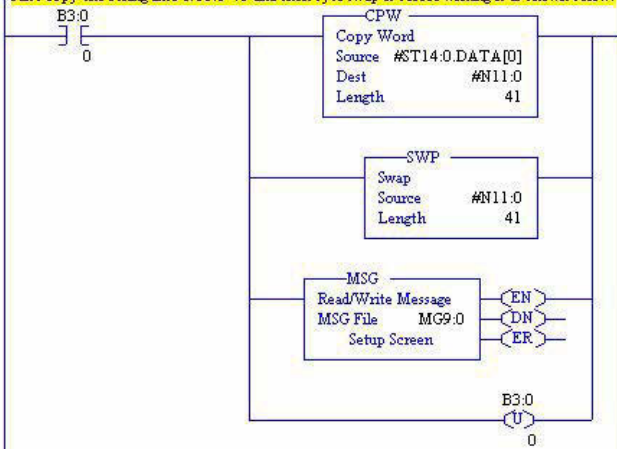


In this example, the instance decimal is ID tag 2 (drive symbolic name).

**Figure 106 - Writing String into Nonvolatile Memory**



First copy the String into N11:0-40 and then byte swap it before writing it as shown below:



## Notes:



## Overtravel Inputs

The Kinetix 300 drive has built-in hardware overtravel inputs. These digital inputs are positive and negative relative to the direction of movement on your axis. The overtravel limits are switches wired to the drive's inputs and mounted at the physical extremes (positive/negative) of your axis to indicate a no-movement condition for your axis.

Topic	Page
Modes of Operation	217
Overtravel Hardware Inputs	218
Operation	219
Overtravel Fault Recovery	220

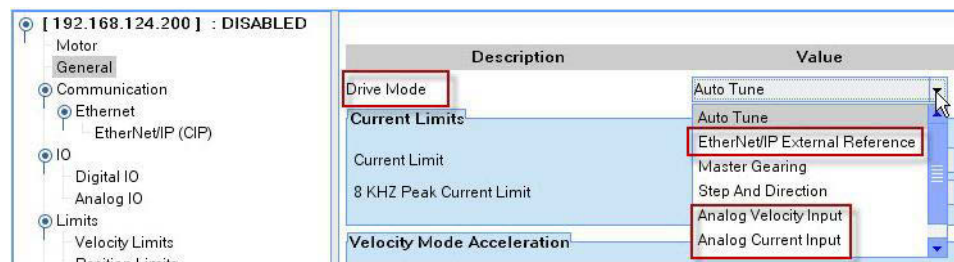
## Modes of Operation

The operation of the Kinetix 300 drives overtravel limits is only applicable in Positioning mode. You can also use non-positioning modes, but they must work in conjunction with an external controller or PLC.

**Table 82 - Overtravel Input Modes of Operation**

Positioning Modes	Non-positioning Modes
Indexing mode	EtherNet/IP External Reference mode 0 = Current (torque) Reference 1 = Velocity Reference
EtherNet/IP External Reference mode 2 = Incremental Position 3 = Absolute Position 4 = Incremental Registration 5 = Absolute Registration	Analog Velocity Input mode
Jog Profiler mode	Analog Current Input mode

**Figure 107 - Modes of Operation in MotionView Software**



## Overtravel Hardware Inputs

Overtravel inputs are dedicated inputs and cannot be used for anything else.

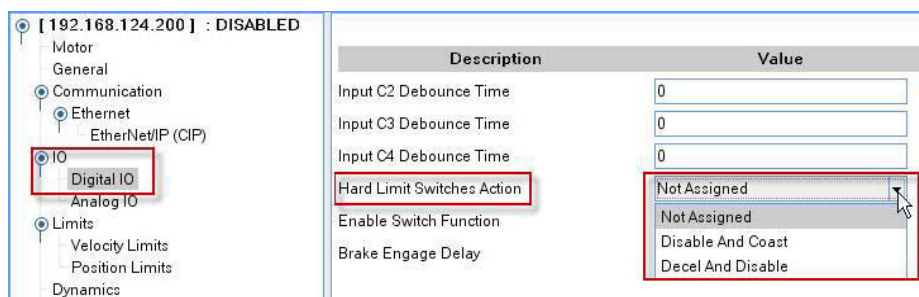
**Table 83 - Overtravel Pin Assignments**

IOD Pin	Description	Signal
IOD-28	Positive overtravel input	IN_A2
IOD-27	Negative overtravel input	IN_A1

The overtravel inputs are edge triggered and once the overtravel limit is exceeded, the drive will perform the configured shutdown. Overtravel checking is configured via MotionView software under DriveIP >IO > Digital IO > Hard Limit Switches Action.

Overtravel inputs can be programmed for normally open or normally closed operation. Use EtherNet/IP Explicit Messaging tag ID 668 to modify this parameter.

**Figure 108 - Overtravel Configuration in MotionView Software**



The default action is Not Assigned. These actions are configured via the pull-down menu:

- Disable and Coast - immediately disables the drive upon detecting an overtravel condition. Disable and Coast is the only stopping action available when overtravel is tripped in Analog Velocity Mode.
- Decel and Disable - uses the Abort Decel rate to stop the servo and then disable the drive. Decel and Disable is not available for Analog Velocity Mode.

## Operation

If the drive is in a position operating mode, the overtravel limits are functional and will generate an error when the overtravel is reached. The drive will not allow axis movement in the direction of the overtravel limit until after the overtravel fault is reset. Only movement in the opposite direction is allowed.

If the drive is in a non-positioning mode of operation, the overtravel limits are functional and will generate an error when the overtravel is reached. However, it is up to the controller (via programming) to manage recovery and axis position after an overtravel fault. The drive will not limit axis movement once the fault has been cleared.

**IMPORTANT** If an overtravel fault is reset and the drive is enabled while the axis is on or beyond the overtravel limit, a runaway condition could occur when using the overtravel limits in a non-positioning mode.

An overtravel fault registers when the drive is enabled and motion causes the axis to pass the overtravel switch. Once the overtravel is triggered, the drive performs the configured Hard Limit Switches Action and drive is disabled.

An example of this is if the drive was in EtherNet/IP drive mode, had an overtravel fault, and the overtravel fault is reset. If a value still exists in the CommandCurrentOrVelocity parameter of the drive Add-on Profile, and that value is in the incorrect direction, the axis will continue to move in that direction regardless of overtravel condition.

**Figure 109 - MotionView Monitor Category**

Description	Value	Units	General	
<b>Motion</b>			Enabled <input type="checkbox"/>	
Actual Velocity	-0.0001192090567201	User Units / Sec	At Fault <input checked="" type="checkbox"/>	
Actual Position	-4763.821550101042	User Units	Undervoltage <input type="checkbox"/>	
Actual Position (EC)	-1248807236	EC	Current Limit <input type="checkbox"/>	
Target Position	-4763.818161725998	User Units	Current Limit Folded <input type="checkbox"/>	
Target Position (EC)	-1248806348	EC	Regening <input type="checkbox"/>	
Registration Position	0.0	User Units	<b>Motion</b>	
Registration Position (EC)	0	EC	Homing <input type="checkbox"/>	
Position Error	0.0000	User Units	Indexing <input type="checkbox"/>	
Position Error (EC)	0	EC	Homed <input checked="" type="checkbox"/>	
ME counter	0	EC	In Position <input checked="" type="checkbox"/>	
<b>Drive Monitor</b>			Motion Stack Full <input type="checkbox"/>	
Phase Current	0.00	A	Motion Stack Empty <input checked="" type="checkbox"/>	
Bus Voltage	349	V	Motion Completed <input checked="" type="checkbox"/>	
Heatsink Temperature	Less than 40	deg. C	Registration Triggered <input type="checkbox"/>	
<b>Analog IO</b>			<b>Motion Limits</b>	
Analog Input	0.027	V	Positive Limit Switch <input type="checkbox"/>	
<b>Inputs</b>			Negative Limit Switch <input checked="" type="checkbox"/>	
A1-A4	<input checked="" type="checkbox"/> <input type="checkbox"/> <input type="checkbox"/> <input type="checkbox"/>	1-4	<b>EtherNet/IP (CIP)</b>	
B1-B4	<input type="checkbox"/> <input type="checkbox"/> <input type="checkbox"/> <input type="checkbox"/>		Exclusive Owner <input type="checkbox"/>	
C1-C4	<input type="checkbox"/> <input type="checkbox"/> <input type="checkbox"/> <input type="checkbox"/>		Exclusive Owner Timeout <input type="checkbox"/>	
			User Watchdog Timeout <input type="checkbox"/>	

**Annotations:**

- At Fault is shown as being "ON" (Red dot)
- Drive is Faulted-E06 displayed on front of Display
- Negative Switch is shown as being "ON"
- Shown above is the Neg OT input being high (ON) - this indicated the axis is on an OT switch

## Overtravel Fault Recovery

Follow these steps to recover from an overtravel fault condition while in a Positioning mode.

1. Reset the drive to clear the overtravel fault, either through MotionView software or via logic.

Typically, the overtravel input is still active after the reset, because the axis is still on the limit switch.

2. Enable the servo.
3. Move the axis off the limit switch.

The drive allows a position-based move in the direction opposite the limit switch. For example, if the axis is on a positive limit switch, it can move in a negative direction or if the axis is on a negative limit switch, it can move in a positive direction.

Once the axis is moved off the limit switch, the input goes low and the motion routine can begin again.

Follow these steps to recover from an overtravel fault condition while in a non-positioning mode.

1. Change the motion command reference (velocity or current) to a value opposite the axis overtravel is on (set to a negative value if on the positive limit and vice-versa if on the negative limit).

---

**IMPORTANT** The drive will not limit motion in the direction of the overtravel when in a non-positioning mode, provided the overtravel input is still active and the initial overtravel fault has been reset.

---

2. Reset the drive to clear the overtravel fault, either through MotionView software or via logic.

Typically, the overtravel input is still active after the reset, because the axis is still on the limit switch.

3. Enable the servo.

---

**IMPORTANT** With a non-zero command reference, motion begins immediately upon Enable when in a current or velocity mode of operation.

---

4. Verify that the user program code permits continued axis motion and manages the motion routine

## History of Changes

This appendix summarizes the revisions to this manual. Reference this appendix if you need information to determine what changes have been made across multiple revisions. This may be especially useful if you are deciding to upgrade your hardware or software based on information added with previous revisions of this manual.

**Table 84 - 2097-UM001B-EN-P, August 2010**

Change
Updated Catalog Number Explanation input voltage and phase description.
Updated clearance diagram and added bullet statements to clarify how drive accessories and cables attached to the drive affect installation.
Updated I/O connector pins IOD-5 and IOD-6 to reserved.
Updated AC Input Power Connector Pinout table to include two additional configurations.
Converted Enable/Inhibit, Homing, and Indexing truth tables to timing diagrams.
Added the Master Gearing/Step and Direction Inputs section.
Added the Buffered Encoder Outputs section.
Added the Voltage Doubler Operation section.
Updated Motor Power Cable Compatibility table.
Updated Motor Feedback Cables for Specific Motor/Feedback Combinations table.
Updated Shunt Resistor Connections section with a graphic illustration of the shunt connections on the drive.
Added new chapter to update the existing MotionView software parameter descriptions and add screen captures to better illustrate how to use the configuration software. Additional information on indexing and homing is included.
Updated default drive IP address to 197.168.124.200.
Added Add-on Profiles section for users with RSLogix 5000 software, version 17.
Added Configure the Ethernet Port section for users with CompactLogix 1769-L23E controllers.
Updated Configure the Ethernet Module section for users with ControlLogix controllers.
Added Master Gearing Mode Examples and Configure Master Gearing Mode sections.
Updated the description for error code E26.
Added error code E39.
Kinetix 300 Drive Safe Torque-off Feature was converted to a chapter and includes updates throughout to clarify the safe torque-off functionality.
Updated the Kinetix 300 Drive Power Specifications tables.
Updated the Circuit Breaker/Fuse Specifications table.
Updated the Contactor Ratings specifications table.
Updated the Certifications specifications table.
Updated the AC Line Filter Specifications tables.

**Table 84 - 2097-UM001B-EN-P, August 2010 (continued)**

<b>Change</b>
Updated the Power Wiring Examples with proper voltage/phase ratings.
Updated the pinouts for Kinetix 300 Drive with TL-Series (TLY-A) Motors diagram.
Added System Block Diagrams section.
Added Input Assembly Instance table.
Added Output Assembly Instance table.
Added Output Assembly Examples section.
Updated Kinetix 300 Drive Tag Numbers table.
Added Index Base Addressing section.
Added appendix that provides a detailed description of the overtravel digital inputs.

**Table 85 - 2097-UM001C-EN-P, March 2012**

<b>Change</b>
Updated Important note.
Added Unwind, Negative motion polarity, and Current output clamp features to the General Category for synchronous motors.
Added General and Motor categories for linear motors.
Updated Digital input assignment list.
Added Index selects to the Indexing category.
Added unwind mode types; Rotary Absolute, Rotary Incremental, Rotary Shortest Path, Rotary Positive, Rotary Negative.
Updated Homed bit cleared events.
Added requirement for Indexing mode and its use with an incremental encoder.
Added Upgrade Firmware procedure.
Updated the Autotuning procedure including graphic.
Update Important note.
Added Configure Drive for Linear Motors and Stages section.
Added error code E23.
Updated error code E67.
Added error code E72.
Updated error code E92
Updated Wiring diagrams.
Added input and output schematics.
Added linear motor interconnect schematics.
Added direct drive stage schematics to MPAS linear stage interconnect.
Updated MPAR and MPAL electric cylinder cable compatibility.
Updated MotionComplete status bit
Updated Tag ID list to include linear motor tags and updated several tag IDs.
Updated footnote.
Updated Overtravel Hardware Inputs section

## Numerics

**120/240V single-phase input power** 174  
**120V single-phase input power** 173  
**1766-L32BXB** 183  
**1766-L32BXBA** 183  
**2097 master gearing example** 184  
**2097 with LDAT-Series linear thruster** 180  
**240/480V three-phase input power** 175

## A

**about this publication** 11  
**AC input power**  
 pinouts 40  
**actuators**  
 interconnect diagram  
 MPAI 181  
 MPAR 181  
 MPAS 180  
 TLAR 182  
**additional resources** 12  
**add-on profiles** 132  
**analog current** 142, 148  
**analog I/O category** 94  
**analog output** 47  
**analog reference** 46  
**analog velocity** 142, 148, 183  
**apply power** 138  
**auto tune** 142

## B

**back-up power** 50  
 pinouts 40  
**block diagrams**  
 power block diagram 186  
 voltage-doubler block diagram 187  
**bonding** 27  
 EMI (ElectroMagnetic Interference) 26  
 high frequency energy 28  
 subpanels 28  
**brake currents** 185  
**buffered encoder outputs** 49  
**build your own cables** 58

## C

**cables**  
 build your own cables 58  
 Ethernet cable length 82  
 length, CE 20  
 motor feedback 77  
 motor power 72  
 shield clamp 76  
**catalog numbers** 16

## category 3

requirements 160  
 stop category definitions 160

## CE

compliance 17, 63  
 comply with CE 164  
 conformity 164  
 invalidate compliance 63  
 meet requirements 164

## certification

TÜV Rheinland 159  
 user responsibilities 160

## circuit breaker

selection 21  
 specifications 22

## clamp

## clean zone

## clear faults

## clearance requirements

## communication category

## configuration

add-on profiles 132  
 controller properties 133  
 coordinated system time master 134  
 date and time tab 134  
 drive 136  
 drive mode  
 explicit messaging 148  
 drive parameter tools  
 changing 147  
 viewing 145  
 drive parameters 145  
 drive properties 137  
 Ethernet module  
 ControlLogix 135  
 module properties 135  
 Ethernet port  
 CompactLogix 134  
 module properties 134  
 EtherNet/IP 128  
 DHCP 131  
 dynamic address 131  
 static address 129  
 EtherNet/IP module 132  
 keypad input 126  
 master gearing 144  
 select drive mode 142  
 status indicators 127  
 test the axis 139  
 tune the axis 140

## configuration system variables

## connect

Ethernet 82  
 external shunt resistor 81  
 feedback 77  
 I/O 77  
 motor shield clamp 76

## connector

designators 36  
 locations 36, 163

**controller properties** 133  
**coordinated system time master** 134  
**current mode** 183

## D

**date and time tab** 134  
**digital I/O category** 93  
**digital inputs** 41  
**digital outputs** 45  
**dirty zone** 29  
**download program** 137  
**drive**  
   object attributes 190  
   organizer, drive ID 84  
   properties 137  
   wiring BP connector 69  
   wiring IPD connector 70  
   wiring MP connector 71  
   wiring requirements 66  
   wiring STO connector 69  
**drive mode selection** 142  
**drive parameter tools**  
   changing 147  
   viewing 145  
**dynamics category** 97  
   servo loop diagram 98

## E

**EMC**  
   directive 164  
   motor ground termination 71  
   motor ground termination at motor 71  
**EMI (ElectroMagnetic Interference)**  
   bonding 26  
**EN 61508** 160  
**EN 62061** 160  
**enclosure**  
   requirements 20  
   sizing 23  
**error codes** 154  
**Ethernet** 50  
   cable length 82  
   cables  
     RJ45 connector 82  
   category 91  
   pinouts 39  
   wiring 82  
**Ethernet module**  
   ControlLogix 135  
**Ethernet port**  
   CompactLogix 134  
**EtherNet/IP**  
   address 128  
     dynamic address 131  
     static address 129  
   DHCP 131  
**EtherNet/IP external reference** 142

**explicit messaging**  
   data types 211  
   DINT data 212  
   REAL data 213  
   string data 214

## F

**fault codes** 154  
**faults category** 100  
**feedback connections** 77  
**feedback power supply** 56  
**fuse**  
   selection 21  
   specifications 22

## G

**general category** 87  
**generic TTL incremental** 51  
**ground**  
   multiple subpanels 65  
   system to subpanel 64  
**grounded power configuration** 59

## H

**HF bonding** 26  
**high frequency energy** 28  
**homing category** 113

## I

**I/O connections** 77  
**I/O connector wiring** 79  
**I/O specifications**  
   analog output 47  
   analog reference 46  
   back-up power 50  
   buffered encoder outputs 49  
   digital inputs 41  
   digital outputs 45  
   Ethernet 50  
   master gearing 48  
   pinouts 38  
   step and direction 48  
**ID tag descriptions** 197  
**index base addressing** 210  
**index configuration assembly instance** 111  
**index select** 101  
**indexing** 142, 148  
**indexing category** 101  
**input and output assembly** 189  
**input assembly**  
   instance 192  
   tags 190



**input power wiring**

- 3-phase Delta 59
- 3-phase WYE 59
- determine input power 58
- grounded power configuration 59
- single-phase 60
  - voltage doubler 60
- single-phase amplifiers on 3-phase power 61, 62

**input/output category 93****install drive accessories**

- I/O terminal block 79
- low-profile connector kits 80
- shunt resistor 81

**install your drive**

- bonding subpanels 28
- circuit breakers 21
- fuse selection 21
- HF bonding 26
- system mounting requirements 20
- transformer 21

**interconnect diagrams**

- 120/240V single-phase input power 174
- 120V single-phase input power 173
- 2097 master gearing example 184
- 2097 with LDL-series and LDC-series linear motor 179
- 2097 with MicroLogix 183
- 2097 with MPAI actuator 181
- 2097 with MPAR actuator 181
- 2097 with MPAS actuator 180
- 2097 with MPL/MPM/MPF/MPS motor 176
- 2097 with TLAR actuator 182
- 2097 with TLY motor 178
- 240/480V three-phase input power 175
- notes 172
- shunt resistor 175

**ISO 13849-1 CAT 3**

- requirements 160
- stop category definitions 160

**K****keypad input 126****L****LDAT 180****limits category 95****linear motor database 86****linear motors**

- interconnect diagram
  - LDL-series and LDC-series 179

**low profile connector kits**

- wiring 80

**low voltage directive 164****M****master gearing 48, 142, 144, 148, 184**

- examples 143

**MicroLogix diagrams 183****mode**

- analog velocity 183
- current 183
- master gearing 48
- step and direction 183

**monitor category 99****MotionView software**

- analog I/O category 94
- communication category 91
- configuration 83
- digital I/O category 93
- drive organizer 84
- dynamics category 97
- Ethernet category 91
- faults category 100
- general category 87
- homing category 113

- absolute homing 115
- home offset 116
- home to marker 116
- homing firmware algorithm 117
- homing method 23 119
- homing method 25 120
- homing method 27 120
- homing method 29 121
- homing method 33 122
- homing method 34 123
- homing method 35 123
- homing methods 113
- homing methods 7...14 118
- homing switch 116
- immediate homing 115

**indexing category 101**

- abort index 109
- absolute 103
- action parameter 108
  - next index 108
  - stop 108
  - wait for start 108

**blended 104****current 107****explicit messaging 110****incremental 103****index configuration assembly instance 111****registration distance 103****reset index 109****rotary absolute 104****rotary incremental 105****rotary negative 106****rotary positive 106****rotary shortest path 105****start index 109****input/output category 93****limits category 95****linear motor database 86****monitor category 99****motor category 84****motor database 85****position limits category 96****tools category 98****velocity limits category 95****motor category 84****motor database 85**

- motor feedback**
    - pinouts 39
    - specifications
      - general 51
      - thermostat 52
    - wiring 77
  - motor power**
    - pinouts 40
    - wiring 72
  - motors**
    - brake currents 185
    - feedback pinouts 78
    - ground termination 71
    - interconnect diagram
      - MPL/MPM/MPF/MPS 176
      - TLY 178
    - power wiring
      - 3-phase and brake 74
      - 3-phase only 73
      - TL-Series 72
    - shield clamp wiring 76
  - mount**
    - Kinetix 300 drive 34
- N**
- noise** 29
- O**
- output assembly**
    - examples 195
    - incremental examples 196
    - instance 194
    - tags 193
    - velocity examples 196
  - overtravels**
    - dedicated inputs 218
    - fault recovery 220
    - modes of operation 217
    - operation 219
- P**
- panel**
    - requirements 20
  - PFD and PFH data** 162
  - PFD and PFH definition** 162
  - pinouts**
    - AC input power (IPD) 40
    - back-up power (BP) 40
    - Ethernet (Port 1) 39
    - I/O (IOD) 38
    - motor feedback (MF) 39
    - motor feedback connector 78
    - motor power (MP) 40
    - safe torque-off (STO) 37
    - shunt resistor and DC bus (BC) 40
  - PL** 160
  - position limits category** 96
  - power block diagram** 186
  - power dissipation specifications** 24
  - power supply, feedback** 56
  - power up** 138
  - proof tests** 161
  - publications, related** 12
- R**
- related publications** 12
  - requirements**
    - clearance 25
  - RJ45**
    - Ethernet connector 82
  - route power and signal wiring** 58
  - RSLogix 5000 software** 132
- S**
- safe torque-off**
    - bypass 166
    - connector location 163
    - operation 161, 166
    - PFD and PFH data 162
    - PFD and PFH definition 162
    - pinouts 37
    - proof tests 161
    - specifications 168
    - troubleshooting 162
    - wiring diagram 167
    - wiring requirements 165
  - safety products catalog** 167
  - select drive mode** 142
  - servo loop diagram** 98
  - shield clamp** 76
  - shunt resistor** 32, 33
    - interconnect diagram 175
    - wiring requirements 67
  - shunt resistor and DC bus**
    - pinouts 40
  - shunt/DC bus connector** 81
  - SICK-Stegmann** 51
  - software**
    - MotionView 84
    - RSLogix 5000 132
  - specifications**
    - analog output 47
    - analog reference inputs 46
    - back-up power 50
    - buffered encoder outputs 49
    - circuit breaker 22
    - digital inputs 41
    - digital outputs 45
    - Ethernet 50
    - feedback
      - power supply 56
    - fuse 22
    - master gearing 48
    - motor feedback 51
      - generic TTL 54
      - SICK-Stegmann 53

- Tamagawa 55
  - motor thermostat interface 52
  - power dissipation 24
  - safe torque-off 168
  - step and direction 48
- status indicators** 127
- step and direction** 48, 142, 148, 183
- system block diagrams**
  - power block diagram 186
  - voltage-doubler block diagram 187
- system mounting requirements** 20
- system overview** 14
  - diagram 15

## T

- Tamagawa** 51
- test the axis** 139
- tools category** 98
- training** 11
- transformer**
  - sizing 21
- troubleshooting** 154
  - clear faults 157
  - error code E39 162
  - error codes 154
  - safe torque-off 162
- tune the axis** 140
  - servo loop diagram 98

## V

- velocity limits category** 95
- velocity mode** 183
- voltage doubler**
  - block diagram 187
  - operation 60
  - power diagram 173

## W

- who should use this manual** 11

### wiring

- build your own cables 58
- diagram, safe torque-off 167
- drive
  - BP connector 69
  - IPD connector 70
  - MP connector 71
  - STO connector 69
- Ethernet connections 82
- grounded power configuration 59
- grounding drive 64
- guidelines 68
- I/O connector 79
- input power
  - determine type 58
- low profile connectors 80
- master gearing 184
- motor cable shield clamp 76
- motor feedback 77
- motor power 72, 73, 74
- requirements 57, 165
  - drive 66
  - shunt resistor 67
- route power and signal wiring 58
- shunt resistor 81

## Rockwell Automation Support

Rockwell Automation provides technical information on the Web to assist you in using its products.

At <http://www.rockwellautomation.com/support>, you can find technical manuals, technical and application notes, sample code and links to software service packs, and a MySupport feature that you can customize to make the best use of these tools. You can also visit our Knowledgebase at <http://www.rockwellautomation.com/knowledgebase> for FAQs, technical information, support chat and forums, software updates, and to sign up for product notification updates.

For an additional level of technical phone support for installation, configuration, and troubleshooting, we offer TechConnect<sup>SM</sup> support programs. For more information, contact your local distributor or Rockwell Automation representative, or visit <http://www.rockwellautomation.com/support/>.

## Installation Assistance

If you experience a problem within the first 24 hours of installation, review the information that is contained in this manual. You can contact Customer Support for initial help in getting your product up and running.

United States or Canada	1.440.646.3434
Outside United States or Canada	Use the <a href="http://www.rockwellautomation.com/support/americas/phone_en.html">Worldwide Locator</a> at <a href="http://www.rockwellautomation.com/support/americas/phone_en.html">http://www.rockwellautomation.com/support/americas/phone_en.html</a> , or contact your local Rockwell Automation representative.

## New Product Satisfaction Return

Rockwell Automation tests all of its products to ensure that they are fully operational when shipped from the manufacturing facility. However, if your product is not functioning and needs to be returned, follow these procedures.

United States	Contact your distributor. You must provide a Customer Support case number (call the phone number above to obtain one) to your distributor to complete the return process.
Outside United States	Please contact your local Rockwell Automation representative for the return procedure.

## Documentation Feedback

Your comments will help us serve your documentation needs better. If you have any suggestions on how to improve this document, complete this form, publication [RA-DU002](#), available at <http://www.rockwellautomation.com/literature/>.

**[www.rockwellautomation.com](http://www.rockwellautomation.com)**

### Power, Control and Information Solutions Headquarters

Americas: Rockwell Automation, 1201 South Second Street, Milwaukee, WI 53204-2496 USA, Tel: (1) 414.382.2000, Fax: (1) 414.382.4444  
Europe/Middle East/Africa: Rockwell Automation NV, Pegasus Park, De Kleetlaan 12a, 1831 Diegem, Belgium, Tel: (32) 2 663 0600, Fax: (32) 2 663 0640  
Asia Pacific: Rockwell Automation, Level 14, Core F, Cyberport 3, 100 Cyberport Road, Hong Kong, Tel: (852) 2887 4788, Fax: (852) 2508 1846

Publication 2097-UM001D-EN-P - November 2012

Supersedes Publication 2097-UM001C-EN-P - March 2012

Copyright © 2012 Rockwell Automation, Inc. All rights reserved. Printed in the U.S.A.



***Allen-Bradley***

***Kinetix 300 EtherNet/IP Indexing Servo Drives***

***User Manual***

