

Enclosure Specifications

Catalog Numbers 198E-AOS1, 198E-COS1, 198E-COS4, 198E-C2S4, 198E-COS4R, 198E-COC4R

| Topic | Page |
|------------------------|------|
| Product Description | 2 |
| Approximate Dimensions | 3 |



Product Description

| Catalog Number | Push Button | Common Features |
|--------------------------|--|--|
| 198E-A0S1 | With Blue Reset Button | <ul style="list-style-type: none"> • Knockouts for 20 mm and 25 mm Metric Cable Glands • Sealable cover screws • No corrosive parts |
| 198E-C0S1 | With Blue Reset Button | |
| 198E-C0S4 ⁽¹⁾ | With Green Start and Raised Red Stop/Reset Push Buttons | |
| 198E-C2S4 | Enclosure for DOL Starters for Start-Stop and Reset Operators | |
| 198E-C0S4R | Enclosure for Reversing Starters with Cutouts for Start-Stop and Reset Operators | |
| 198E-C0C4R | Enclosure for Reversing or DOL Starters with Cutouts for Start-Stop and Circuit Breaker Operating Handle | |

(1) Starter Contact Kit included.

Standards Compliance

Cat. Nos. 198E-A_ and 198E-C_ plastic enclosures

- EN / IEC 62208
- EN / IEC 60947-4-1
- UL 50
- UL 508
- CSA 22.2, No. 14



Molded Plastic Lift-off

Certifications

Cat. No. 198E-C_ plastic enclosures

- CE Marked
- cULus Listed

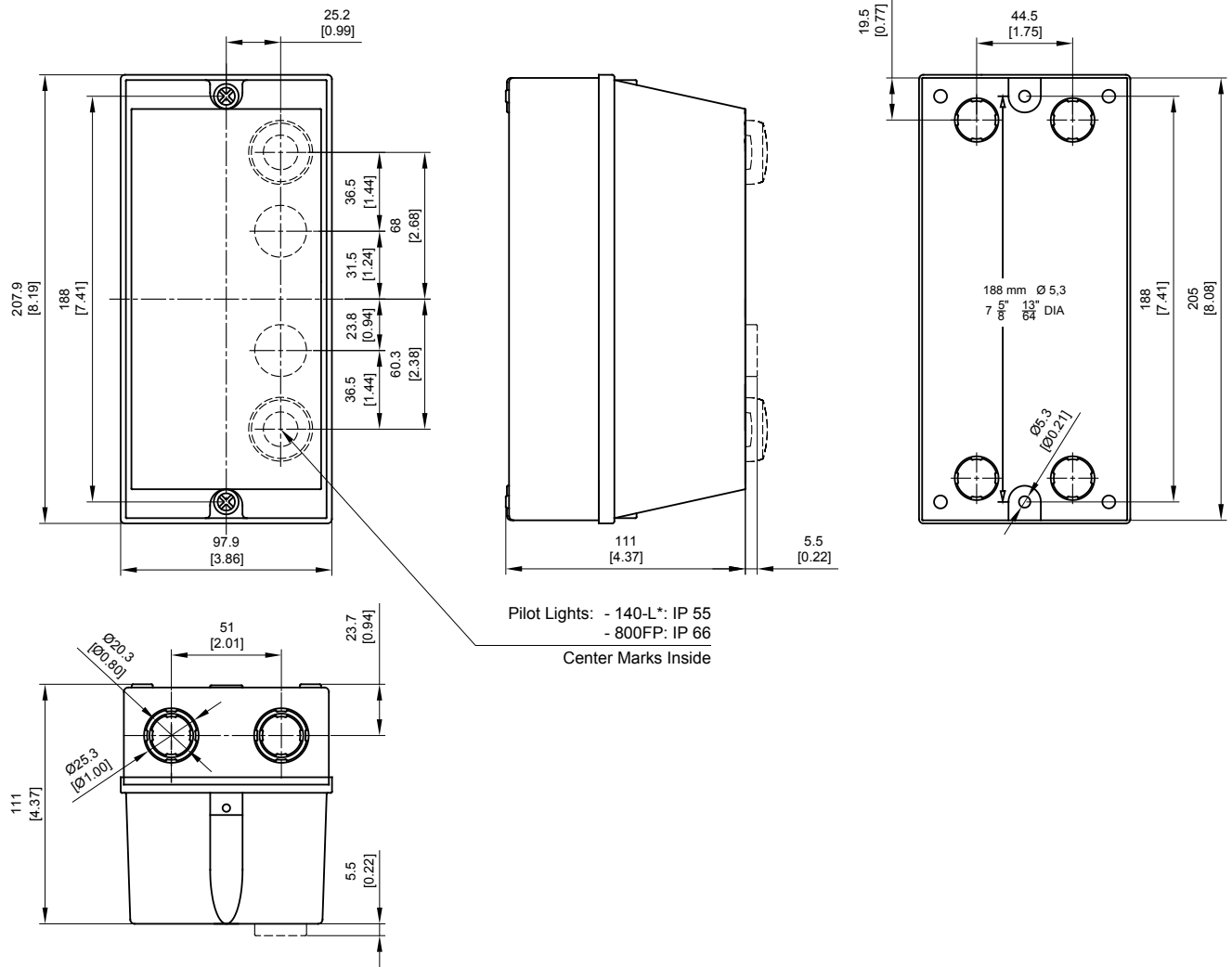
Specifications

| Plastic Enclosures | |
|---|--|
| Max. rated current (I_n max.) = Max. rated operational current (I_e) with Cat. No. 193-ED1/193-EE overload relays | 25.0 A |
| Rated insulation voltage U_i (pollution degree 3) | 690V |
| Dielectric strength | 3750V rms |
| Ambient air temperature: With electronic overload relay Storage | max. +40 °C (104 °F), average over 24h = 40 °C (104 °F) lower limit -20 °C (-4 °F) -55...+60 °C (-67...+140 °F) |
| Atmospheric conditions | 95% relative humidity at max. +40 °C (104 °F) |
| Installation altitude | <2000 m (6561 ft) above sea level |
| Degree of protection: per IEC 60947-1 against external mechanical impacts per UL 50 | IP66 IK07 4/4X/12K |
| Mechanical lifetime with Start/Stop push buttons, Start/Stop operations | >100,000 |

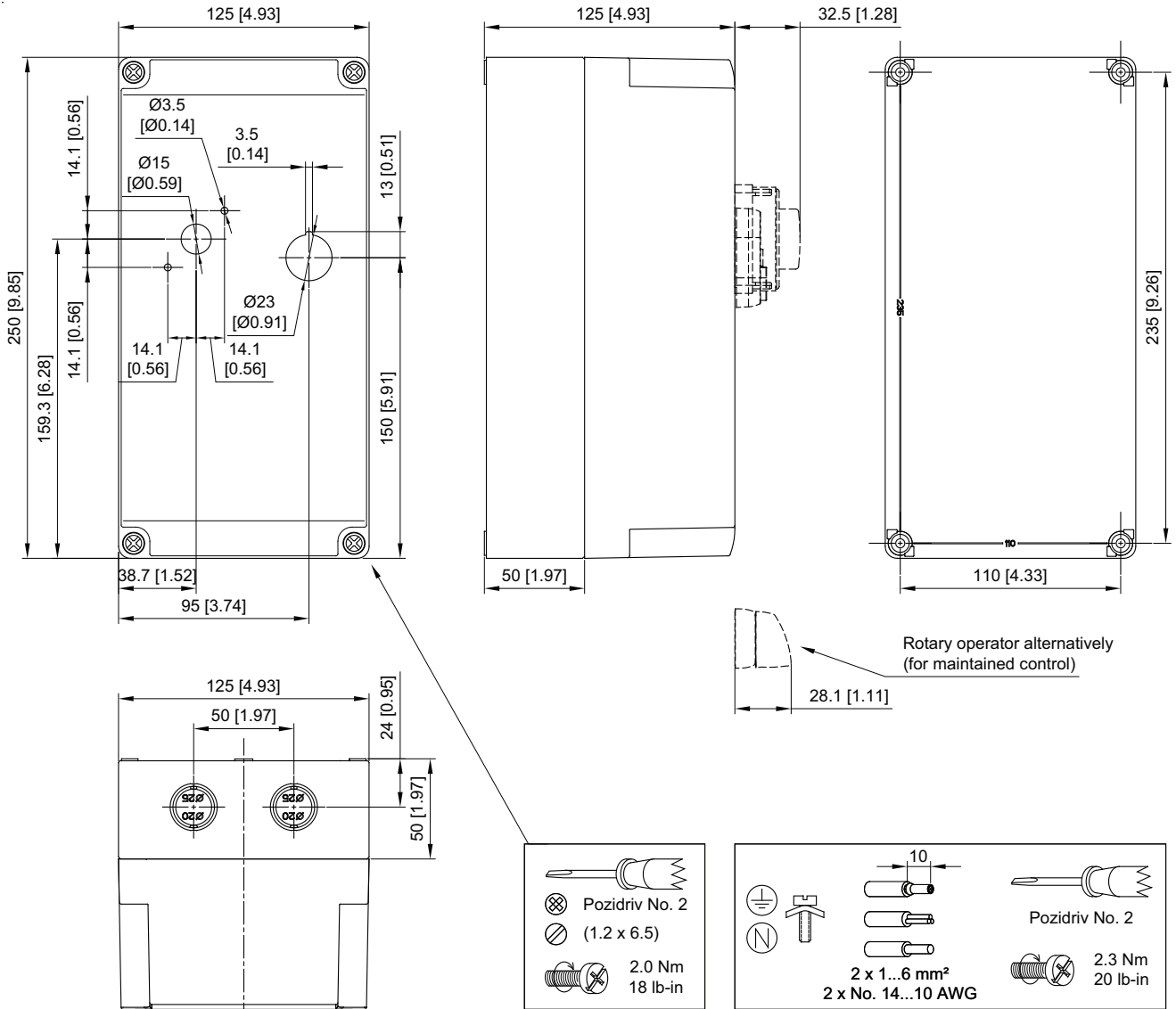
Approximate Dimensions

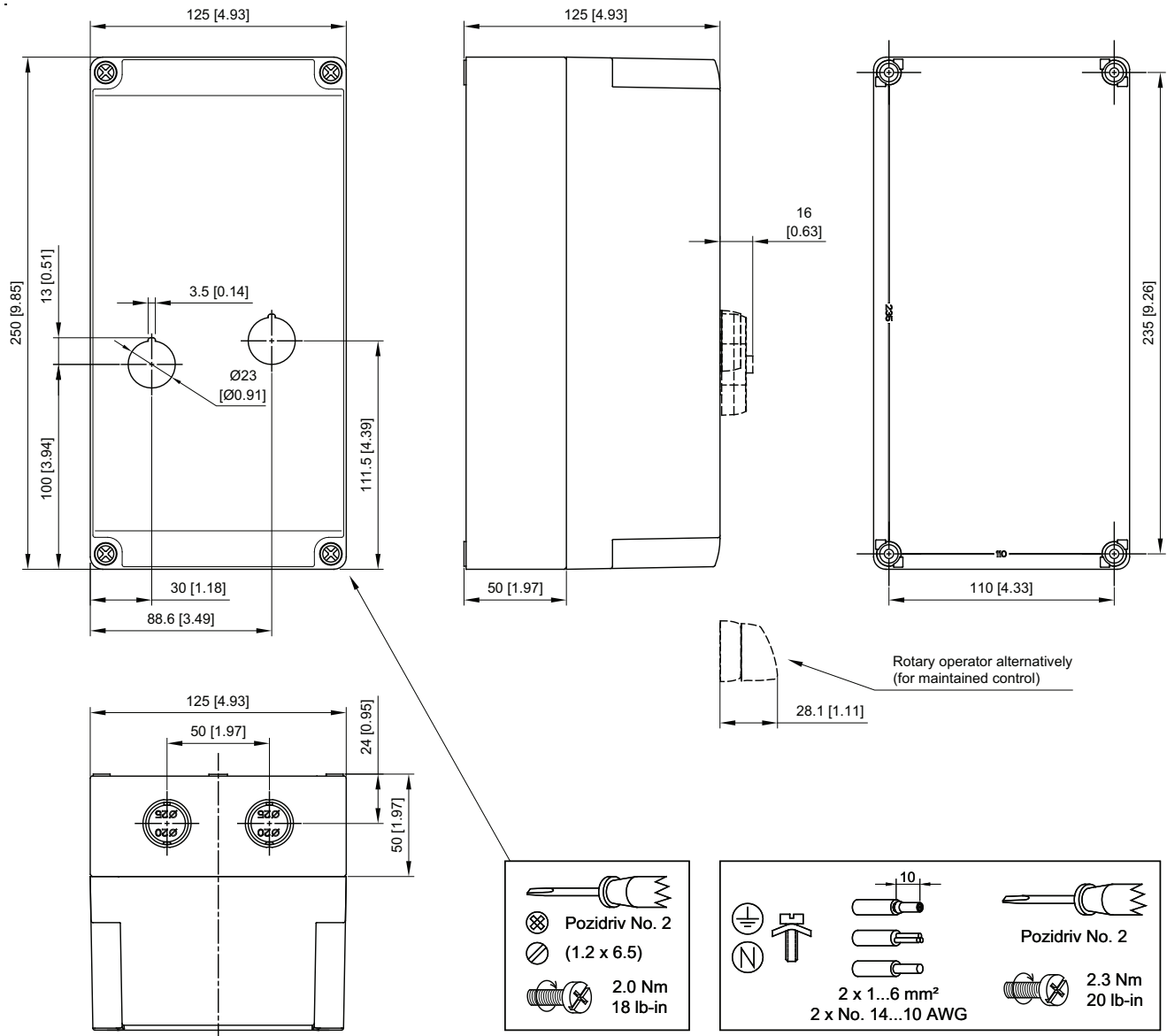
Approximate dimensions are shown in millimeters (inches). Dimensions are not to be used for manufacturing purposes.

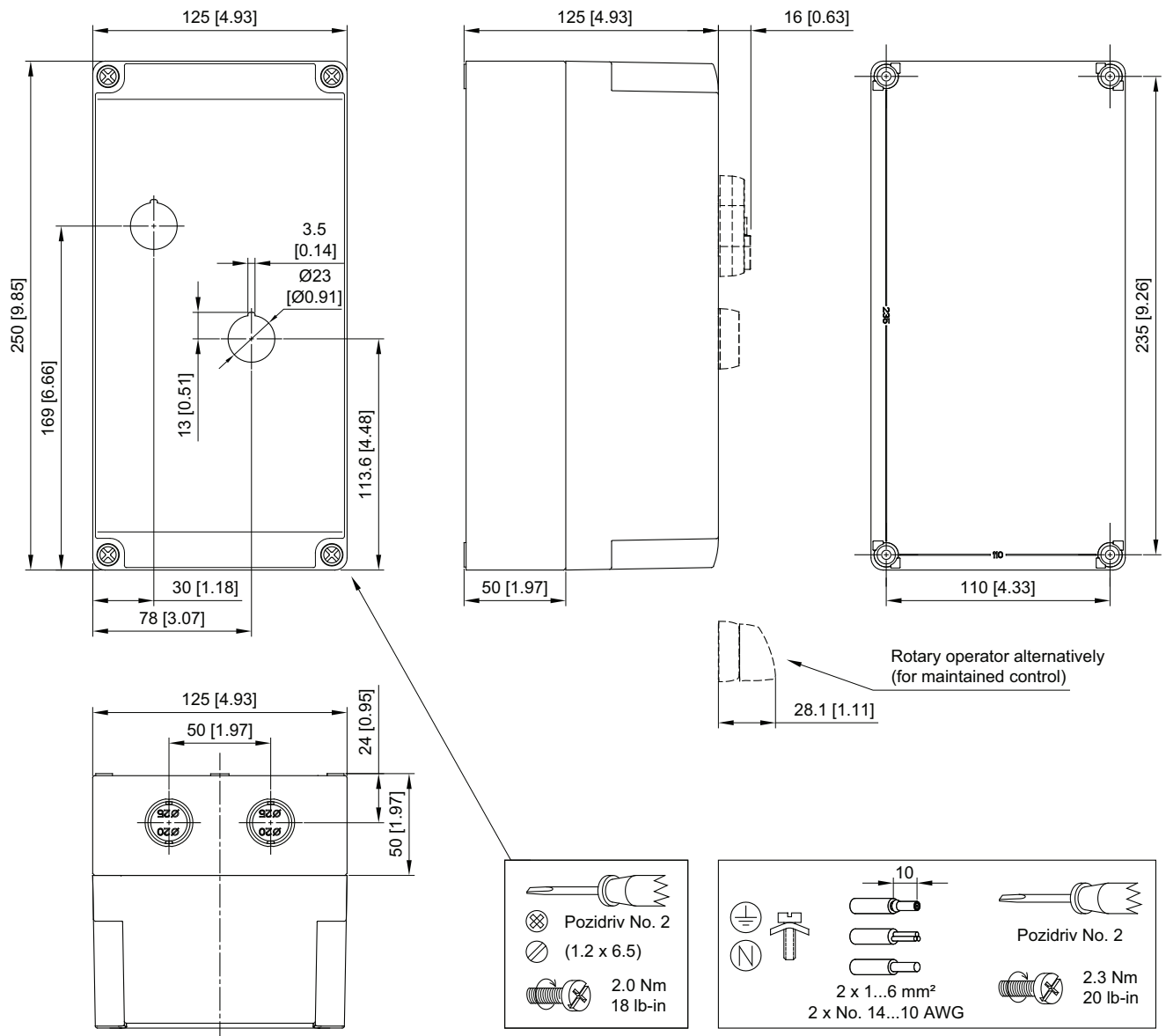
Cat. Nos. 198E-A0S1, -C0S1, and -C0S4 Plastic Enclosures



Cat. Nos. 198E-C2S4, -C0S4R, and -C0C4R Plastic Enclosures







Notes:

Additional Resources

These documents contain additional information concerning related products from Rockwell Automation.

| Resource | Description |
|---|---|
| Industrial Automation Wiring and Grounding Guidelines, publication 1770-4.1 | Provides general guidelines for installing a Rockwell Automation industrial system. |
| Product Certifications website, http://www.rockwellautomation.com/global/certification/overview.page | Provides declarations of conformity, certificates, and other certification details. |

You can view or download publications at <http://www.rockwellautomation.com/global/literature-library/overview.page>. To order paper copies of technical documentation, contact your local Allen-Bradley distributor or Rockwell Automation sales representative.

Rockwell Automation Support

Use the following resources to access support information.

| | | |
|---|---|--|
| Technical Support Center | Knowledgebase Articles, How-to Videos, FAQs, Chat, User Forums, and Product Notification Updates. | www.rockwellautomation.com/knowledgebase |
| Local Technical Support Phone Numbers | Locate the phone number for your country. | www.rockwellautomation.com/global/support/get-support-now.page |
| Direct Dial Codes | Find the Direct Dial Code for your product. Use the code to route your call directly to a technical support engineer. | www.rockwellautomation.com/global/support/direct-dial.page |
| Literature Library | Installation Instructions, Manuals, Brochures, and Technical Data. | www.rockwellautomation.com/literature |
| Product Compatibility and Download Center (PCDC) | Get help determining how products interact, check features and capabilities, and find associated firmware. | www.rockwellautomation.com/global/support/pcdc.page |

Documentation Feedback

Your comments will help us serve your documentation needs better. If you have any suggestions on how to improve this document, complete the How Are We Doing? form at <http://literature.rockwellautomation.com/idc/groups/literature/>

Rockwell Automation maintains current product environmental information on its website at <http://www.rockwellautomation.com/rockwellautomation/about-us/sustainability-ethics/product-environmental-compliance.page>.

Allen-Bradley, LISTEN. THINK. SOLVE., Rockwell Automation, and Rockwell Software are trademarks of Rockwell Automation, Inc. Trademarks not belonging to Rockwell Automation are property of their respective companies.

Rockwell Otomasyon Ticaret A.Ş., Kar Plaza İş Merkezi E Blok Kat:6 34752 İçerenköy, İstanbul, Tel: +90 (216) 5698400

www.rockwellautomation.com

Power, Control and Information Solutions Headquarters

Americas: Rockwell Automation, 1201 South Second Street, Milwaukee, WI 53204-2496 USA, Tel: (1) 414.382.2000, Fax: (1) 414.382.4444
Europe/Middle East/Africa: Rockwell Automation NV, Pegasus Park, De Kleetlaan 12a, 1831 Diegem, Belgium, Tel: (32) 2 663 0600, Fax: (32) 2 663 0640
Asia Pacific: Rockwell Automation, Level 14, Core F, Cyberport 3, 100 Cyberport Road, Hong Kong, Tel: (852) 2887 4788, Fax: (852) 2508 1846

Publication 198-TD001B-EN-P - July 2018

Supersedes Publication 1497-TD001A-EN-P - September 2014

Copyright © 2018 Rockwell Automation, Inc. All rights reserved. Printed in the U.S.A.