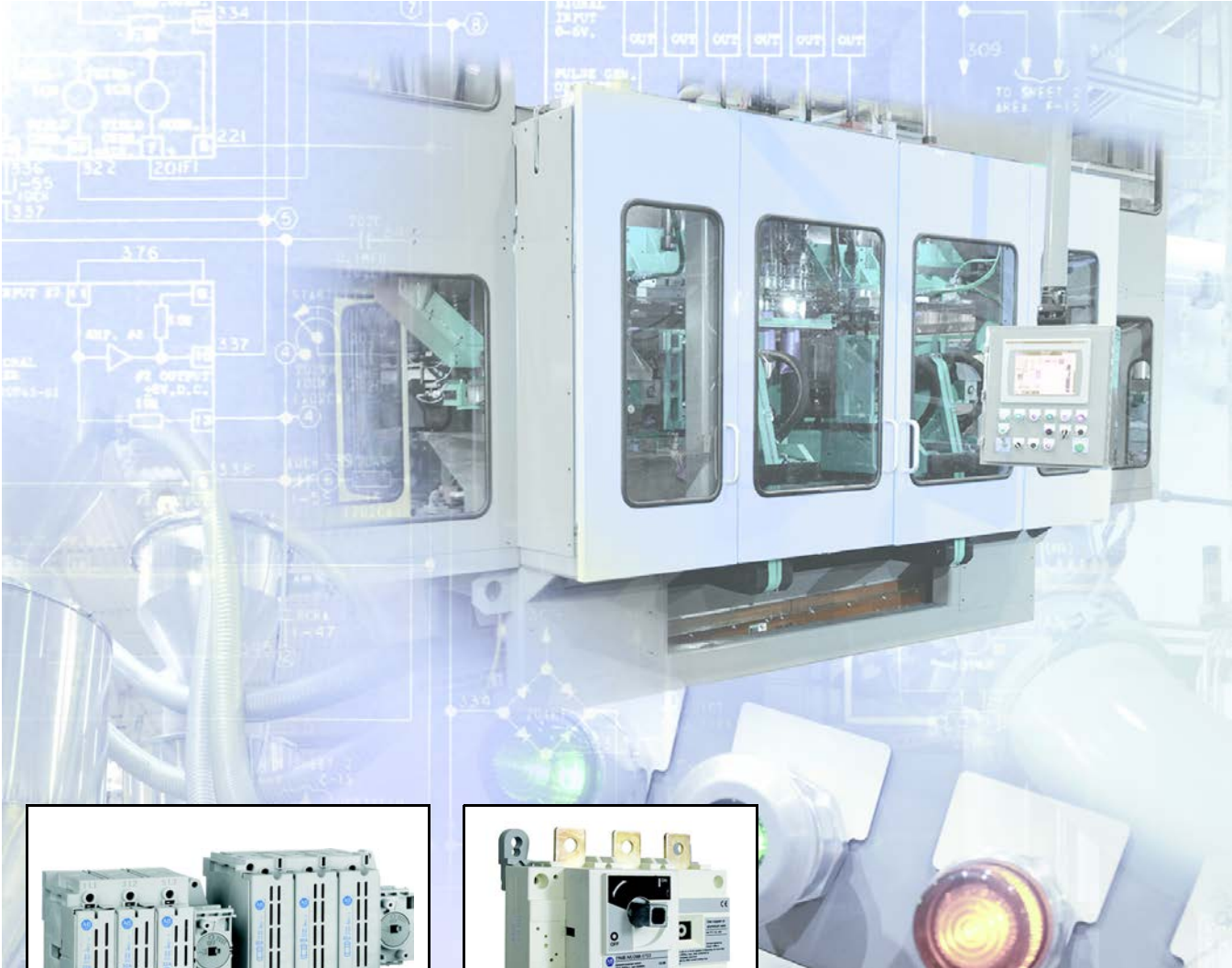


Fused and Non-Fused Disconnect Switches

Bulletin 194R





**LISTEN.
THINK.
SOLVE.**

What's Inside

Topic	Page
Bulletin 194R Overview	3
Product Selection	7
UL/CSA Fused Disconnect Switches	7
UL/CSA Non-fused Disconnect Switches	8
IEC Fused Disconnect Switches	9
IEC Non-fused Disconnect Switches	10
Complete UL/CSA Disconnect Switch Kits	11
Accessories	13
Specifications	21
Fused Disconnect Switches for UL Class Fuses and CSA HRCI-J	21
Non-Fused Disconnect Switches for CSA and UL Class Applications	23
Non-Fused Disconnect Switches for IEC Applications	25
All Bulletin 194R Disconnect Switch Cat. Nos., 20 . . . 63 A Range	25
Fused Disconnect Switches For CSA HRCII-C Fuses	26
Fused Disconnect Switches For BS88 Fuses	27
Fused Disconnect Switches For DIN Fuses	29
Wiring Schematic	31
Approximate Dimensions	33
UL/CSA Disconnect Switches 100 . . . 1200 A	34
IEC Disconnect Switches, 125 . . . 1250 A	39
Operating Handles	47
Enclosures	50
Disconnect Switch Kits	53
Bulletin 194R-FC and 194R-LFC NFPA 79 Compliant IEC Cable-Operated Mechanism for Flange-Style Enclosures	53
Cat. No. 194R-SDK2 NFPA 79 Compliant IEC Fused and Non-Fused Disconnect Switches, Side-mounted Kit	56
Fuse Description	59
Proper Selection of Disconnect Switches	59
Fuse Description	61

Bulletin 194R Overview

	 <p>Bulletin 194R-C, J, H, B, D, F, L, N, NU</p>	 <p>Bulletin 194R-NE</p>
Product Type	Fused and non-fused rotary disconnect switches	Non-fused IEC rotary disconnect switches
Current Range	20...1200 A	100...1250 A
Main Applications	<ul style="list-style-type: none"> UL 98 ratings "suitable as service entrance disconnecting means" UL 508, CSA ratings "suitable as at-motor disconnect" UL and IEC applications 	<ul style="list-style-type: none"> Disconnecting means IEC applications
Functionality	<ul style="list-style-type: none"> 3- or 4-pole fusible or non-fusible disconnect for standard OFF-ON or emergency stop in a main panel disconnect application 4th pole available as modular accessory Test mode switch position 	<ul style="list-style-type: none"> 3- or 4-pole non-fusible disconnect for standard OFF-ON or emergency stop in a main panel disconnect application 4th pole available as modular accessory Test mode switch position
Mounting Styles	20...63 A: DIN Rail/Panel mounting; 100...1250 A: Panel mounting	Panel mounting
Handles	<ul style="list-style-type: none"> Available in rotary styles, UL Type 1/3R/4/4X/12, IP66, standard, or test mode versions Handle colors in black and red/yellow and padlockable versions 30 A/60 A legend markers (optional) — uses Cat. No. 1492-MS6X12 markers 	<ul style="list-style-type: none"> Available in rotary styles, UL Type 1/3R/4/4X/12, IP66, or standard versions Handle colors in black and red/yellow and padlockable versions
Open Switch or Enclosed	<ul style="list-style-type: none"> Open switch Enclosed: UL/CSA rated enclosure for 20...63 A devices 	<ul style="list-style-type: none"> Open switch
UL/CSA Electrical Ratings:		
Rated Voltage U_e	690V AC	690V AC
Rated Current I_e	20...1200 A	100...1250 A
Rated Power P_e [FLA]	Varies w/ 1- or 3-phase switch, voltage	Varies w/ 1- or 3-phase switch, voltage
Short-Circuit Ratings	200 kA	200 kA
Mechanical Life [ops]	10 000	10 000
IEC Rated Current I_e		
AC-1	20...1200 A @ 690V	100...1250 A @ 690V
AC-21A	Varies w/ 1- or 3-phase switch, voltage	Varies w/ 1- or 3-phase switch, voltage
AC-22A	Varies w/ 1- or 3-phase switch, voltage	Varies w/ 1- or 3-phase switch, voltage
Ambient Operational Temp.	-20...+60 °C (-4...+140 °F)	-20...+60 °C (-4...+140 °F)
Ambient Enclosed Temp.	-20...+60 °C (-4...+140 °F)	-20...+60 °C (-4...+140 °F)
Ambient Storage Temp.	-40...+65 °C (-40...+149 °F)	-40...+65 °C (-40...+149 °F)
Protection class per IEC 529	<ul style="list-style-type: none"> Switch bodies: IP2 Fuse carriers: IP30 	<ul style="list-style-type: none"> Switch bodies: IP2
Optional Accessories	<ul style="list-style-type: none"> Operator handles Multi-length shafts Auxiliary contacts Terminal covers NFPA 79 internal handle with shaft 	<ul style="list-style-type: none"> IP66 handles Multi-length shafts Auxiliary contacts Terminal covers NFPA 79 internal handle

Standards Compliance and Certifications—Bulletin 194R-C, J, H, B, D, F, L, N, NU

Standards Compliance	Certifications
UL 98	CE Marked
UL 508	CSA Certified (File No. LR1234)
CSA C22.2, No. 14	UL Listed (File No. E 14841, Guide NLRV; File No. E 47426, Guide WHTY)
IEC/EN 60947-3 Low Voltage Switchgear and Controlgear part 3	
BS EN60947-3	
VDE 0660	
NEMA KS-1	

Standards Compliance and Certifications—Bulletin 194R-NE

Standards Compliance	Certifications
IEC/EN 60947-3 Low Voltage Switchgear and Controlgear part 3	CE Marked

Product Overview

The Bulletin 194R line of fused and non-fused rotary disconnect switches provides the flexibility to meet worldwide applications. The disconnect switches are UL Listed and CSA Certified and are designed to meet IEC 60947-3, VDE, DIN, BS and applicable NEMA requirements.

Features

- 20 A...1250 A Sizes
- Fused switch versions:
 - BS88 -DIN
 - CSA HRCII-C - CSA HRCI-MISC - HRC-L
 - UL Class J- UL Class CC - UL Class L
 - NFC
- Operating handle ingress ratings:
 - IP42 (Type 1)
 - IP66 (Type 3R, 3, 12, 4, 4X)
- Handle with or without test mode
- Padlockable handle for up to three padlocks
- 6 auxiliary contacts can be added
- Suitable as service entrance disconnecting means (UL 98)
- Suitable as at-motor disconnecting means (UL 508)

Catalog Number Explanation

Fourth pole (20...63 A), additional auxiliary contacts, and handle options available in accessory section.



194R - J 30 - 1753 S
a b c d

Cat. No. 194R-J30-1753

Cat. No. 194R-NE160-1753

a	
Fuse Type	
Code	Description
C	UL Class CC, CSA Type HRCI-MISC
J	UL Class J, CSA Type HRCI-J
H	CSA Type HRCII-C
B	BS88 ⁽¹⁾
D	DIN ⁽¹⁾
F	NFC ⁽¹⁾
L	UL Class L, CSA Type HRC-L
N	Non-fused (20...63 A) ⁽²⁾
NE	Non-fused, IEC (100...1250 A) ⁽²⁾⁽³⁾
NU	Non-fused, UL (100...1200 A) ⁽²⁾

b	
Load Size ⁽¹⁾	
Code	Description
20	20 A (BS88)
25	25 A (NFC)
30	30 A (CC, J, HRCI-J)
	30 A (non-fused)
	30 A (HRCII-C)
32	32 A (BS88, NFC)
	32 A (DIN)
60	60 A (J, HRCI-J, HRCII-C)
	60 A (non-fused)
63	63 A (BS88, DIN, NFC)
100	100 A (BS88, DIN, NFC, J, HRCI-J, HRCII-C)
125	125 A (BS88, DIN, NFC, Non-fused)
160	160 A (BS88, DIN, NFC, Non-fused)
200	200 A (BS88, DIN, NFC, J, HRCI-J, HRCII-C, non-fused)
250	250 A (BS88, DIN, NFC, J, HRCI-J, HRCII-C, non-fused)
400	400 A (BS88, DIN, NFC, J, HRCI-J, HRCII-C, non-fused)
600	600 A (BS88, DIN, NFC, J, HRCI-J, HRCII-C, non-fused)
630	630 A (BS88, DIN, NFC, non-fused)
800	800 A (BS88, DIN, NFC, L, HRCI-L, non-fused)
1200	1200 A (Non-fused)
1250	1250 A (BS88, DIN, non-fused)

c	
No. of Poles	
Code	Description
1753	3-poleswitch
1754	4-pole switch (non-fused:100...1250 A)

d	
Fuse Indication	
Code	Description
blank	No fuse status indication
S	Fuse status indication (20...63 A)

- (1) Fuse classes BS88, DIN, and NFC are not suitable for use in North American applications
- (2) Non-fused disconnect switches must use separately installed fuses for upstream short-circuit protection
- (3) Does not carry UL Certification.

Notes:

UL/CSA Fused Disconnect Switches



Cat. No. 194R-J30-1753



Cat. No. 194R-J100-1753

Note: Your order must include 1) Cat. No. of disconnect switch, 2) shaft, 3) handle, and 4) any accessories.

Rated Current [A]	Maximum Hp Ratings ^{(1)*}							Fuse	Dim. Ref.	Cat. No.
	1-Phase (60 Hz)		3-Phase (60 Hz)			DC				
	120V	240V	240V	480V	600V	125V	250V			
UL Class CC and CSA HRCI-MISC Fuses										
30	2	3	7.5	15	20	3	5	30 A CC, HRCI-Misc	A1	194R-C30-1753
UL Class J and CSA HRCI-J Fuses										
30	2	3	7.5	15	20	3	5	30 A Class J, HRCI-J	A1	194R-J30-1753
60	3	10	15	30	50	5	10	60 A Class J, HRCI-J	B1	194R-J60-1753
CSA HRCII-C Fuses										
30	2	3	7.5	15	20	3	5	30A HRCII-C	B1	194R-H30-1753
60	3	10	15	30	50	5	10	60A HRCII-C	B1	194R-H60-1753
UL Class J and CSA HRCI-J Fuses										
30	2	3	7.5	15	20	3	5	30 A Class J, HRCI-J	A1	194R-J30-1753
60	3	10	15	30	50	5	10	60 A Class J, HRCI-J	B1	194R-J60-1753
100	7-1/2	15	30	60	75	7.5	20	100 A Class J, HRCI-J	F5	194R-J100-1753 ⁽²⁾
200	—	25	60	125	150	15	40	200 A Class J, HRCI-J	F6	194R-J200-1753
400	—	50	125	520	350	20	50	400 A Class J, HRCI-J	F7	194R-J400-1753
600	—	—	200	500	500	—	—	600 A Class J, HRCI-J	F8	194R-J600-1753
UL Class L and CSA HRCI-L Fuses										
800	—	—	200	500	500	—	—	800 A Class L, HRCI-L	F9	194R-L800-1753

(1) Time delay fuses may be required to utilize the disconnect switch at its maximum horsepower rating.

(2) Integral terminal lug #12...#10 Solid Cu or #12 - #1 Stranded Cu.

UL/CSA Non-fused Disconnect Switches



Cat. No. 194R-N30-1753



Cat. No. 194R-J100-1753

Note: Your order must include 1) Cat. No. of disconnect switch, 2) shaft, 3) handle, and 4) any accessories.

Fuse Description	Rated Current [A] ⁽¹⁾	No. of Poles	Maximum Hp Ratings							Dim. Ref.	Cat. No.
			1-Phase (60 Hz)		3-Phase (60 Hz)			DC			
			120V	240V	240V	480V	600V	125V	250V		
Non-fused disconnect switches must use separately installed fuses for upstream short circuit protection.	30	3	2	3	7.5	15	20	3	5	A2	194R-N30-1753
	60	3	3	10	15	30	40	5	10	B2	194R-N60-1753
	100	3	7-1/2	15	30	75	100	10	15	F1	194R-NU100-1753
		4	7-1/2	15	30	75	100	10	15	F1	194R-NU100-1754
	200	3	—	50	75	150	200	15	15	F1	194R-NU200-1753
		4	—	50	75	150	200	15	15	F1	194R-NU200-1754
	400	3	—	—	125	250	350	20	50	F2	194R-NU400-1753
		4	—	—	125	250	350	20	50	F2	194R-NU400-1754
	600	3	—	—	200	400	350	20	50	F3	194R-NU600-1753
		4	—	—	200	400	350	20	50	F3	194R-NU600-1754
	800	3	—	—	200	500	500	—	—	F4	194R-NU800-1753
		4	—	—	200	500	500	—	—	F4	194R-NU800-1754
	1200	3	—	—	200	500	500	—	—	F4	194R-NU1200-1753
		4	—	—	200	500	500	—	—	F4	194R-NU1200-1754

(1) 30 A UL-rated device has I_{the} of 40 A per IEC. 60 A UL-rated device has I_{the} of 80 A per IEC.

IEC Fused Disconnect Switches



Cat. No. 194R-F32-1753

Cat. No. 194R-F63-1753



Cat. No. 194R-D160-1753

Note: Your order must include 1) Cat. No. of disconnect switch, 2) shaft, 3) handle, and 4) any accessories.

BS88 Fused Disconnect Switches

Fuse classes BS88, DIN, and NFC are not suitable for use in North American applications

Load Rating I_e [A]	Ratings (AC23) With Fuse Links			Fuse	Dim. Ref.	Cat. No.
	3-Phase Max. kW (50 Hz)					
	200/230V	380/400/415V	660/690V			
20	5.5	11	15	BS88 A1	A1	194R-B20-1753
32	9	18.5	30	BS88 A1	A1	194R-B32-1753
63	18.5	30	55	BS88 A3	B1	194R-B63-1753
100	—	57	90	BS88, size A4	F13	194R-B100-1753
160	—	80	110	BS88, size A4	F14	194R-B160-1753
200	—	100	150	BS88, size B1-B2	F15	194R-B200-1753
250	—	132	220	BS88, size B1-B3	F15	194R-B250-1753
400	—	220	220	BS88, size B1- B4	F16	194R-B400-1753
630	—	355	295	BS88, size C1- C2	F17	194R-B630-1753
800	—	450	400	BS88, size C1-C3	F17	194R-B800-1753
1250	—	560	400	BS88, size D1	F18	194R-B1250-1753

DIN Fused Disconnect Switches

Fuse classes BS88, DIN, and NFC are not suitable for use in North American applications

Load Rating I_e [A]	Ratings (AC23) With Fuse Links			Fuse	Dim. Ref.	Cat. No.
	3-Phase Max. kW (50 Hz)					
	200/230V	380/400/415V	660/690V			
32	9	18.5	30	NH 000	B1	194R-D32-1753
63	18.5	30	55	NH 000	B1	194R-D63-1753
125	—	63	90	DIN, size T00	F13	194R-D125-1753
160	—	80	110	DIN, size T00	F13	194R-D160-1753
250	—	132	220	DIN, size T1	F15	194R-D250-1753
400	—	220	220	DIN, size T2	F16	194R-D400-1753
630	—	355	295	DIN, size T3	F17	194R-D630-1753
800	—	450	400	DIN, size T3	F17	194R-D800-1753
1250	—	560	400	DIN, size T4	F18	194R-D1250-1753

NFC Fused Disconnect Switches

Fuse classes BS88, DIN, and NFC are not suitable for use in North American applications.

Load Rating I_e [A]	Ratings (AC23) With Fuse Links			Fuse	Dim. Ref.	Cat. No.
	3-Phase Max. kW (50 Hz)					
	200/230V	380/400/415V	660/690V			
25	7.5	11	22	NFC 14x51 mm	A1	194R-F25-1753
32	9	18.5	30	NFC 14x51 mm	A1	194R-F32-1753
63	18.5	30	55	NFC 22x58 mm	B1	194R-F63-1753

IEC Non-fused Disconnect Switches



Cat. No. 194R-N30-1753



Cat. No. 194R-NE160-1753

Note: Your order must include 1) Cat. No. of disconnect switch, 2) shaft, 3) handle, and 4) any accessories.

Fuse Description	Rated Current [A] ⁽¹⁾	No. of Poles	Maximum Hp Ratings				Maximum kW Ratings			Dim. Ref.	Cat. No.	
			1-Phase (60 Hz)		DC		3-Phase (60 Hz)					
			120V	240V	125V	250V	240V	480V	600V			
Non-fused disconnect switches must use separately installed fuses for upstream short circuit protection.	30	3	2	3	3	5	7.5	15	20	A2	194R-N30-1753	
	60	3	3	10	5	10	15	30	40	B2	194R-N60-1753	
	125	3	—	—	—	—	—	—	63	55	F1	194R-NE125-1753 ⁽²⁾
		4	—	—	—	—	—	—	63	55	F1	194R-NE125-1754 ⁽²⁾
	160	3	—	—	—	—	—	—	80	55	F1	194R-NE160-1753 ⁽²⁾
		4	—	—	—	—	—	—	80	55	F1	194R-NE160-1754 ⁽²⁾
	250	3	—	—	—	—	—	—	132	90	F2	194R-NE250-1753 ⁽²⁾
		4	—	—	—	—	—	—	132	90	F2	194R-NE250-1754 ⁽²⁾
	400	3	—	—	—	—	—	—	220	150	F3	194R-NE400-1753 ⁽²⁾
		4	—	—	—	—	—	—	220	150	F3	194R-NE400-1754 ⁽²⁾
	630	3	—	—	—	—	—	—	280	150	F3	194R-NE630-1753 ⁽²⁾
		4	—	—	—	—	—	—	280	150	F3	194R-NE630-1754 ⁽²⁾
	800	3	—	—	—	—	—	—	450	185	F4	194R-NE800-1753 ⁽²⁾
		4	—	—	—	—	—	—	450	185	F4	194R-NE800-1754 ⁽²⁾
	1250	3	—	—	—	—	—	—	710	415	F5	194R-NE1250-1753 ⁽²⁾
		4	—	—	—	—	—	—	710	415	F5	194R-NE1250-1754 ⁽²⁾

(1) 30 A UL-rated device has I_{the} of 40 A per IEC. 60 A UL-rated device has I_{the} of 80 A per IEC.

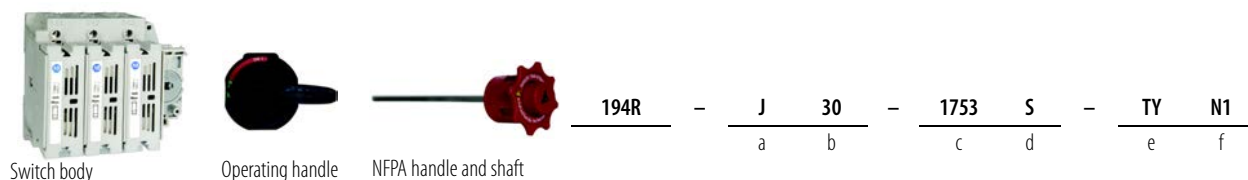
(2) Does not carry UL Certification.

Complete UL/CSA Disconnect Switch Kits

Includes disconnect switch, operating handle with defeater mechanism and operating shaft, NFPA handle, auxiliary contacts, and padlock attachment.

Catalog Number Explanation

Fourth pole (20...63 A), additional auxiliary contacts, and handle options available in accessory section.



a	
Fuse Type	
Code	Description
C	UL Class CC, CSA Type HRCI-MISC
J	UL Class J, CSA Type HRCI-J
H	CSA Type HRCII-C
B	BS88 ⁽¹⁾
D	DIN ⁽¹⁾
F	NFC ⁽¹⁾
N	Non-fused (20...63 A) ⁽³⁾

b		
Load Size ⁽¹⁾		
Code	Description	Dimensional Ref. ⁽²⁾
20	20 A (BS88)	A1
25	25 A (NFC)	A1
30	30 A (CC, J, HRCI-J)	A1
	30 A (Non-Fused) ⁽³⁾	A2
30	30 A (HRCII-C)	B1
	30 A (HRCII-C)	B1
32	32 A (BS88, NFC)	A1
	32 A (DIN)	B1
60	60 A (J, HRCI-J, HRCII-C)	B1
	60 A (Non-Fused) ⁽³⁾	B2
63	63 A (BS88, DIN, NFC)	B1

c	
No. of Poles	
Code	Description
1753	3-poleswitch

- (1) Fuse classes BS88, DIN, and NFC are not suitable for use in North American applications
- (2) See [page 33](#) for dimensional reference data.
- (3) Non-fused disconnect switches must use separately installed fuses for upstream short-circuit protection

d	
Fuse Indication	
Code	Description
blank	No fuse status indication
S ⁽¹⁾	Fuse status indication

e	
External Handle	
Code	Description
PY	Std/pistol red/yellow handle, 4/4X, IP66 (Cat. No. 194R-PY)
PB	Std/pistol black handle, 4/4X, IP66 (Cat. No. 194R-PB)
TY	Test mode red/yellow handle, 4/4X, IP66 (Cat. No. 194R-PYT)
TB	Test mode black handle, 4/4X, IP66 (Cat. No. 194R-PBT)

f	
Shaft and NFPA 79 Handle	
Code	Description
S1	Cat. No. 194R-S1 shaft (12 in.)
S2	Cat. No. 194R-S2 shaft (21 in.)
N1	NFPA79 handle with 12 in. shaft and guard tube
N2	NFPA79 handle with 21 in. shaft and guard tube

(1) Class C and J fuses only

UL Enclosed Disconnect Switches (Fused and Non-Fused)

Catalog Number Explanation



194R-K
Non-Metallic Enclosure UL Type 3/4/4X, IP66



194R-F
Painted Steel Enclosure UL Type 3/4/12, IP66



194R-C
Stainless Steel Enclosure UL Type 4/4X, IP66

194R - **C** **J** **30** - **1753** **S** - **TB** - **P**
a b c d e f g

a	
Enclosure Type	
Code	Description
K	Thermoplastic, Type 4/4X
F	Painted metal, Type 3/4/12
C	Stainless steel, Type 4/4X

b	
Fuse Type	
Code	Description
C	UL Class CC, CSA Type HRCI-MISC
J	UL Class J, CSA Type HRCI-J
H	CSA Type HRCII-C
B	BS88 ⁽¹⁾
D	DIN ⁽¹⁾
F	NFC ⁽¹⁾
N	Non-fused (20...63 A) ⁽³⁾

c		
Load Size ⁽¹⁾		
Code	Description	Dimensional Ref. ⁽²⁾
20	20 A (BS88)	A1
25	25 A (NFC)	A1
30	30 A (CC, J, HRCI-J)	A1
	30 A (Non-Fused) ⁽³⁾	A2
	30 A (HRCII-C)	B1
32	32 A (BS88, NFC)	A1
	32 A (DIN)	B1
60	60 A (J, HRCI-J, HRCII-C)	B1
	60 A (Non-Fused) ⁽³⁾	B2
63	63 A (BS88, DIN, NFC)	B1

- (1) Fuse classes BS88, DIN, and NFC are not suitable for use in North American applications
- (2) See [page 33](#) for dimensional reference data.
- (3) Non-fused disconnect switches must use separately installed fuses for upstream short-circuit protection

d	
No. of Poles	
Code	Description
1753	3-pole switch

e	
Fuse Indication	
Code	Description
blank	No fuse status indication
S ⁽¹⁾	Fuse status indication

f	
External Handle	
Code	Description
PY	Std/pistol red/yellow handle, 4/4X, IP66 (Cat. No. 194R-PY)
PB	Std/pistol black handle, 4/4X, IP66 (Cat. No. 194R-PB)
TY	Test mode red/yellow handle, 4/4X, IP66 (Cat. No. 194R-PYT)
TB	Test mode black handle, 4/4X, IP66 (Cat. No. 194R-PBT)

g	
Other Accessories	
Code	Description
blank	No accessory
P	Padlock attachment

(1) Class C and J fuses only

Accessories

4th Poles for UL Applications

Rated Current [A]	Maximum Hp Ratings ⁽¹⁾							Fuse	Dim. Ref.	Cat. No. ⁽²⁾
	1-Phase (60 Hz)		3-Phase (60 Hz)			DC				
	120V	240V	240V	480V	600V	125V	250V			
Non-Fused										
30 ⁽²⁾	2	3	7.5	15	20	3	5	—	A2	194R-30-NN
60 ⁽³⁾	3	10	15	30	40	5	10	—	B2	194R-60-NN
UL Class CC and CSA HRCI-MISC Fuses										
30	2	3	7.5	15	20	3	5	30 A CC, HRCI-Misc	A1	194R-30-NC
UL Class J and CSA HRCI-J Fuses										
30	2	3	7.5	15	20	3	5	30 A J, HRCI-J	A1	194R-30-NJ
60	3	10	15	30	50	5	10	60 A J, HRCI-J	B1	194R-60-NJ
CSA HRCII-C Fuses										
30	2	3	7.5	15	20	—	—	30A HRCII-C	B1	194R-30-NH
60	3	10	15	30	50	—	—	60A HRCII-C	B1	194R-60-NH

(1) Time delay fuses may be required to utilize the disconnect switch at its maximum horsepower rating.

(2) 30 A UL, 40 A IEC

(3) 60 A UL, 80 A IEC

4th Poles for BS88 Fuses

Load Rating I_e [A]	Ratings (AC23) With Fuse Links			Fuse	Dim. Ref.	Cat. No. ⁽¹⁾
	3-Phase Max. kW (50 Hz)					
	200/230V	380/400/415V	660/690V			
20	5.5	11	15	BS88 A1	A1	194R-20-NB
32	9	18.5	30	BS88 A1	A1	194R-32-NB
63	18.5	30	55	BS88 A3	B1	194R-63-NB

(1) For fuse status indication add S to catalog number, example: 194R-30-NB becomes 194R-30-NBS.

4th Poles for DIN Fuses

Load Rating I_e [A]	Ratings (AC23) With Fuse Links			Fuse	Dim. Ref.	Cat. No. ⁽¹⁾
	3-Phase Max. kW (50 Hz)					
	200/230V	380/400/415V	660/690V			
32	9	18.5	30	NH 000	B1	194R-32-ND
63	18.5	30	55	NH 000	B1	194R-63-ND

(1) For fuse status indication add S to catalog number, example: 194R-30-ND becomes 194R-30-NDS.

4th Poles for NFC Fuses

Load Rating I_e [A]	Ratings (AC23) With Fuse Links			Fuse	Dim. Ref.	Cat. No. ⁽¹⁾
	3-Phase Max. kW (50 Hz)					
	200/230V	380/400/415V	660/690V			
25	7.5	11	22	NFC 14 x 51 mm	A1	194R-25-NF
32	9	18.5	30	NFC 14 x 51 mm	A1	194R-32-NF
63	18.5	30	55	NFC 22 x 58 mm	B1	194R-63-NF

(1) For fuse status indication add S to catalog number, example: 194R-30-NN becomes 194R-30-NNS.

Replacement Fuse Hardware

Description	For Use With	Pkg. Qty.	Cat. No.
M4 x .7 Fuse screws	194R BS88 Fuse Types	2	194R-BS88-M4
M5 x .6 Fuse screws	194R BS88 Fuse Types	2	194R-BS88-M5



Replacement Conductor Mounting Hardware

Description	For Use With	Cat. No.
(8) HM8 16 mm bolts (8) HM8 nuts (8) M8 washers	3- and 4-pole 125...160 A IEC non-fused switches	194R-HF-160-4 ⁽¹⁾
(8) HM10 20 mm bolts (8) HM10 nuts (8) M10 washers	3- and 4-pole 250 A IEC non-fused switches	194R-HF-250-4 ⁽¹⁾
(8) HM10 25 mm bolts (8) HM10 nuts (8) M10 washers	3- and 4-pole 400 A IEC non-fused switches	194R-HF-400-4 ⁽¹⁾
(8) HM12 30 mm bolts (8) HM12 nuts (8) M12 washers	3- and 4-pole 630 A IEC non-fused switches	194R-HF-630-4 ⁽¹⁾
(8) HM10 25 mm bolts (8) HM10 nuts (16) M10 washers	3- and 4-pole 100 and 200 A UL non-fused switches	194R-HF-200-4U
(8) HM12 30 mm bolts (8) HM12 nuts (16) M12 washers	3- and 4-pole 400 A UL non-fused switches	194R-HF-400-4U
(8) HM8 16 mm bolts (8) M8 washers	3-pole 100...160 A BS88 fused switches 3-pole 125...160 A DIN fused switches	194R-HF-160-3BD ⁽²⁾
(8) HM10 16 mm bolts (8) M10 washers	3-pole 200...250 A BS88 fused switches 3-pole 250 A DIN fused switches 3-pole 200 A UL fused switches	194R-HF-250-3BDU ⁽²⁾
(8) HM8 16 mm bolts (8) M8 washers (6) HM10 35 mm bolts (6) M10 nuts (12) M10 washers	3-pole 400 A BS88 fused switches 3-pole 400 A UL fused switches	194R-HF-400-3BU ⁽²⁾
(6) HM12 35 mm bolts (6) M12 nuts (12) M12 washers (12) M10 25 mm bolts (12) M12 washers	3-pole 630...800 A BS88 fused switches	194R-HF-800-3B ⁽²⁾
(6) HM10 nuts	3-pole 400 A DIN fused switches	194R-HF-400-3D ⁽²⁾
(6) HM12 nuts	3-pole 630...1250 A DIN fused switches	194R-HF-800-3D ⁽²⁾
(12) HM12 30 mm bolts (12) HM12 35 mm bolts (12) M12 nuts (36) M12 washers	3-pole 1250 A BS88 fused switches	194R-HF-1250-3B ⁽²⁾
(8) HM12 30 mm bolts (8) HM12 nuts	3-pole 600...800 A UL fused switches	194R-HF-800-3U

(1) Does not carry UL Certification.



(2) Fuse classes BS88, DIN, and NFC are not suitable for use in North American applications

Replacement Fuse Carriers


	Description	Pkg. Qty.	Cat. No. ⁽¹⁾
 <p>194R-J30-FC</p>  <p>194R-J30-FCS</p>	30 A CC Fuse Carrier	1	194R-C30-FC
	30 A J Fuse Carrier	1	194R-J30-FC
	60 A J Fuse Carrier	1	194R-J60-FC
	20 A BS88 Fuse Carrier	1	194R-B20-FC
	32 A BS88 Fuse Carrier	1	194R-B32-FC
	63 A BS88 Fuse Carrier	1	194R-B63-FC
	30 A CSA HRCII-C Fuse Carrier	1	194R-H30-FC
	60 A CSA HRCII-C Fuse Carrier	1	194R-H60-FC
	32 A DIN Fuse Carrier	1	194R-D32-FC
	63 A DIN Fuse Carrier	1	194R-D63-FC
	25 A NFC Fuse Carrier	1	194R-F25-FC
	32 A NFC Fuse Carrier	1	194R-F32-FC
	63 A NFC Fuse Carrier	1	194R-F63-FC
	30 A Non-Fuse Carrier	1	194R-N30-FC
60 A Non-Fuse Carrier	1	194R-N60-FC	

(1) For fuse status indication add S to catalog number, example: 194R-J30-FC becomes 194R-J30-FCS.

Cable-operated Disconnect Switch Kits

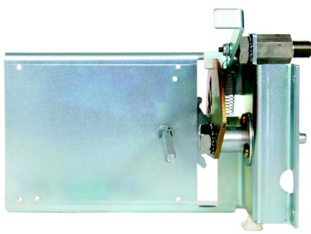
	Description	For Use With	Cable Length	Cat. No. ⁽¹⁾
	Cable-operated disconnect switch with handle	20...63 A switches	3 ft.	194R-FC03
			4 ft.	194R-FC04
			6 ft.	194R-FC06
			10 ft.	194R-FC10
	Cable-operated disconnect switch with handle	100...200 A Switches	3 ft.	194R-LFC03
			5 ft.	194R-LFC05
			10 ft.	194R-LFC10

(1) For additional information, please see [page 53](#)

	Handle Ingress Protection Rating	Description	Mounting	Disconnect Switch Size [A]	Cat. No. ⁽¹⁾
	Type 1, 3R, 4, 4X, 12	Nonmetallic handle, 5-1/2 in. base	Right or left flange	30, 60, 100, 200	1494U-HP1
	Type 1, 3R, 4, 12	Painted metal handle, 5-1/2 in. base			1494U-HM1
	Type 4, 4X	Stainless steel handle, 5-1/2 in. base			1494U-HS1


(1) For additional information, please see [page 53](#)

Side-mounted Disconnect Switch Kit (for 20...63 A switches)


	Description	For Use With	Cat. No. ⁽¹⁾
	Side-mounted kit (disconnect mechanism and bracket)	All Bul. 194R 30/60 A disconnect switches and Bul. 194R-P handles	194R-SDK2

(1) For additional information, please see [page 56](#)



Disconnect Switch Padlock Accessory (for 20...63 A switches)

	Description	Disconnect Switch Dim Ref.	Pkg. Qty	Cat. No.
	For padlock with 3...6 mm diameter	A1, A2, B1, B2	1	194R-PLA1

Replacement Mounting Hardware (for 20...63 A switches)



	Description	Disconnect Switch Dim Ref.	Pkg. Qty	Cat. No.
	(1) M4 x 0.7 set screw, (1) shaft clip and (2) M4 x 0.7 mounting screws	A1, A2	2	194R-30-HDWR
	(1) M4 x 0.7 set screw, (1) shaft clip and (4) M4 x 0.7 mounting screws	B1, B2	4	194R-60-HDWR

Auxiliary Contact Blocks

	Description	Contact Material	For Use With	Pkg. Qty	Cat. No.
	Contact Block Note: Sold only in multiples of 10. Order (quantity of) 10 to receive one package of 10 pieces. Latch not included.	N.O.	194R 30/60 A switches (all) 194R 100...1250 A switches (fused only). Also used for test mode function for 20...63 A switches.	10	800F-X10
		N.C.			800F-X01
		N.O.E.M.			800F-X10E
		N.C.L.B.			800F-X01L
		N.O. with stab terminals			800F-X10T
		N.C. with stab terminals			800F-X01T
		N.O. spring-clamp			800F-Q10
N.C. spring-clamp	800F-Q01				
	Auxiliary contact (Form C)		194R 100...1250 A switches (non-fused only)	1	194R-1STNONC ⁽¹⁾
			Also used for test mode function for 20...63 A switches.	2	194R-2NDNONC ⁽¹⁾

(1) Does not carry UL Certification.

Operating Handles (Accepts 3 Padlocks)


	Description	For Use With	Color	Degree of Protection	Cat. No.
	Padlockable handle, standard	<ul style="list-style-type: none"> Bul. 194R disconnect switches up to 60 A 	Black	Type 3R, 3, 12, 4, 4X	194R-PB
			Red/Yellow	Type 3R, 3, 12, 4, 4X	194R-PY
			Black	Type 3R, 3, 12, 4, 4X	194R-PBT
	Padlockable handle, test mode	<ul style="list-style-type: none"> Bul. 194R disconnect switches up to 60 A 	Red/Yellow	Type 3R, 3, 12, 4, 4X	194R-PYT
	Operating Handle Standard orientation with defater	<ul style="list-style-type: none"> IEC Non-fused disconnect switches: 125... 630 A IEC Fused disconnect switches: 100... 400 A UL Disconnect switches: 100... 400 A 	Black	IP66 (Type 1, 3R, 12, 4, 4X)	194R-HM4
			Red/Yellow	IP66 (Type 1, 3R, 12, 4, 4X)	194R-HM4E
			Black with light grey cover	IP65 (Type 1, 3R, 12, 4, 4X)	194R-HM4-L
			Red/Yellow	IP65 (Type 1, 3R, 12, 4, 4X)	194R-HM4E-L
	Operating Handle Standard orientation without defater	<ul style="list-style-type: none"> IEC Non-fused disconnect switches: 800... 1250 A IEC Fused disconnect switches: 630... 1250 A UL Non-fused disconnect switches: 600... 1200 A UL Fused disconnect switches: 600... 800 A 	Black with light grey cover	IP65 (Type 1, 3R, 12, 4, 4X)	194R-HM4-N2-L
			Red/Yellow	IP65 (Type 1, 3R, 12, 4, 4X)	194R-HM4E-N2-L

OSHA Lockout/Tag Out Compliance (LOTO)

OSHA CFR36 Section 1910 mandates that disconnect switches be able to be locked out while in the OFF position during servicing. All Bulletin 194R handles comply with this important safety requirement. Please see NFPA Article 430 for disconnect requirements of motor applications.





Operating Shafts



	Description	For Use With	Operating Shaft Length	Cat. No.
	Extension shaft, Standard length	140U-P*, 194R-P*, and 194R- P*T handles	12 in. (30.48 cm)	194R-S1
			21 in. (53.34 cm)	194R-S2
	Extension shaft, Standard length	Bul. 194R-HM handles for • IEC Non-fused disconnect switches: 125...630 A • IEC Fused disconnect switches: 100...400 A • UL Disconnect switches: 100...400 A	12.6 in. (320 mm)	194R-R7
	Extension Shaft, Extended length		22.8 in. (580 mm)	194R-R8
	Extension shaft, Standard length	Bul. 194R-HM handles for • IEC Non-fused disconnect switches: 800...1250 A • UL Non-fused disconnect switches: 600...1200A	12.6 in. (320 mm)	194R-R9
	Extension Shaft, Extended length		22.0 in. (560 mm)	194R-R10
	Extension shaft, Standard length	Bul. 194R-HM handles for • IEC Fused disconnect switches: 630...1250 A • UL Fused disconnect switches: 600...800 A	12.6 in. (320 mm)	194R-R11
	Extension Shaft, Extended length		22.0 in. (560 mm)	194R-R12





NFPA 79 Internal Operating Handle with Shaft

An internal handle that permits operation of the disconnect switch when the panel door is open, in compliance with NFPA 79.







	Description	For Use With	Operating Shaft Length	Cat. No.
	NFPA 79 internal operating handle with shaft	140U-P*, 194R-P*, and 194R-P*T handles	12 in. (30.48 cm)	194R-N1
			21 in. (53.34 cm)	194R-N2
		100 . . . 400 A UL fused disconnect switches	12.6 in. (320 mm)	194R-HM4-NFPA1
			22 in. (560 mm)	194R-HM4-NFPA3
		600 . . . 800 A UL fused disconnect switches	12.6 in. (320 mm)	194R-HM4-NFPA2
			22 in. (560 mm)	194R-HM4-NFPA4

Terminal Shields




	Description	For Use With	No. of Poles	Mounting Position	Disconnect Switch Dim. Ref.	Qty Required per Disconnect Switch	Pkg. Qty	Cat. No.
	30 A IP20 Terminal Shroud (three terminals)	—	—	—	A1, A2	2	2	194R-30-C3
	60 A IP20 Terminal Shroud (three terminals)	—	—	—	B1, B2	2	2	194R-60-C3
	30 A IP20 Terminal Shroud (one terminal)	—	—	—	A1, A2	2	2	194R-30-C1
	60 A IP20 Terminal Shroud (one terminal)	—	—	—	B1, B2	2	2	194R-60-C1
	Terminal Shield	IEC Non-fused switches, 125 . . . 160 A	3	line or load side	F1	2	3	194R-LNC7
			4			2	4	194R-LNC8
		IEC Non-fused switches, 250 A	3		F2	2	3	194R-LNC9
			4			2	4	194R-LNC10
		IEC Non-fused switches, 400 . . . 630 A	3		F3	2	3	194R-LNC11
			4			2	4	194R-LNC12

	Description	For Use With	No. of Poles	Mounting Position	Disconnect Switch Dim. Ref.	Qty Required per Disconnect Switch	Pkg. Qty	Cat. No.	
	IEC Terminal Shield	IEC Non-fused switches, 800 A	3	line or load side	F4	2	1	194R-LNC13	
			4			2	1	194R-LNC14	
		IEC Non-fused switches, 1250 A	3		F5	2	1	194R-LNC15	
			4			2	1	194R-LNC16	
	UL Terminal Shield	UL Non-fused switches, 100...200 A	3	line side	F1	2	1	194R-LNC17	
			3	load side		2	1	194R-LNC18	
			4	line or load side		2	1	194R-LNC19	
			UL Non-fused switches, 400 A	3		line side	F2	1	1
3				load side		1		1	194R-LNC21
4				line or load side		2		1	194R-LNC22
UL Non-fused switches, 600 A		3	line or load side	F3	1	1	194R-LNC23		
		4			1	1	194R-LNC24		
UL Non-fused switches, 800...1200 A		3	line or load side	F4	1	1	194R-LNC25		
		4			1	1	194R-LNC26		
		IEC (BS/DIN) Terminal Shrouds	IEC Fused switches, B100, B160, D125, D160	3	line or load side	F13, F14	2	1	194R-LNC27
			IEC Fused switches, B200, B250, B400, D250, D400	3		F15, F16	2	1	194R-LNC28
	IEC Fused switches, B630, B800, D630, D800		3	F17		2	1	194R-LNC29	
	IEC Fused switches, B1250, D1250		3	F18		2	1	194R-LNC30	
	UL Fused switches, 200 A		3	F6		2	1	194R-LNC31	
	UL/IEC (BS/DIN) Terminal Shrouds	IEC Fused switches (see Dim. Ref.)	3	line or load side	F7, F16	2	1	194R-LNC32	
		UL Fused switches, 400 A							
	UL Terminal Shroud	UL Fused switches, 600 A, 800 A	3	line or load side	F8	1	3	194R-LNC29	

Lug Kits — order separately

	Description	Wire Size	Dimension Reference	For Use With	Pkg. Qty	Cat. No.
	Multi-Tap Terminal Lugs Load side only	(3) 14...4 AWG (3) 0.75...25 mm ²	A1 (194R-C30, -J30), A2 (194R-N30)	—	1	194R-30-MTL3
		(3) 14...4 AWG (3) 0.75...25 mm ²	B1 (194R-J60, -H30, -H60), B2 (194R-N60)	—	1	194R-60-MTL3
	Terminal Lug Kit	(1) 300 MCM	—	UL Non-fused switches: 100...200 A UL Fused switches: 200 A	3	194R-TL1
		(1) 300 MCM	—	UL Non-fused switches: 100...200 A	4	194R-TL2
		(1) 600 MCM	—	UL Fused and non-fused switches: 400 A	3	194R-TL3
		(1) 600 MCM	—	UL Non-fused switches: 400 A	4	194R-TL4
		(2) 350 MCM	—	UL Fused and non-fused switches: 400 A	3	194R-TL5
		(2) 350 MCM	—	4-pole UL Non-fused switches: 400 A	4	194R-TL6
		(2) 600 MCM	—	UL Non-fused switches: 600 A UL Fused switches: 600...800 A	3	194R-TL7
		(2) 600 MCM	—	UL Non-fused switches: 600 A	4	194R-TL8
		(2) 600 MCM	—	UL Non-fused switches: 800...1200 A	6	194R-TL9
		(2) 600 MCM	—	UL Non-fused switches: 800...1200 A	8	194R-TL10

Other Accessories

	Description	For Use With	Dimension Reference	Cat. No.
	Cone guide for shafts longer than 320 mm (12.6 in.)	Cat. No. 194R-HM4-L, -HM4E-L, -HM4-N2-L, and -HME-N2-L handles	—	194R-HSG2
	Shaft Guard — Provides extra protection against contact with shaft	Cat. No. 194R-S1 and -S2 shafts	A1, A2, B1, B2	194R-R1G
	Operating Shaft Coupler — Used to extend shaft length an additional 4.75 in.	Cat. No. 194R-S1 and -S2 shafts	A1, A2, B1, B2	194R-SC1

Fused Disconnect Switches for UL Class Fuses and CSA HRCI-J

Electrical Ratings							
Cat. No.		194R-C30-1753		194R-J30-1753		194R-J60-1753	
CSA Fuse Type/UL Fuse Type		Class CC/HRCI-MISC ⁽¹⁾		Class J/HRCI-J		Class J/HRCI-J	
Maximum Fuse Cartridge Size	[A]	30		30		60	
Maximum Voltage, AC	[V]	600		600		600	
Maximum Voltage, DC	[V]	250		250		250	
Ampere Rating	[A]	30		30		60	
Maximum Short Circuit Prospective Fault Current	[kA]	200		200		200	
Fuse Operating Characteristics		Time Delay	Non-Time Delay	Time Delay	Non-Time Delay	Time Delay	Non-Time Delay
Maximum Hp, 3-Phase AC							
200V, 60 Hz	[Hp]	5	3	7.5	3	15	7.5
240V, 60 Hz	[Hp]	5	3	7.5	3	15	7.5
480V, 60 Hz	[Hp]	10	5	15	5	30	15
600V, 60 Hz	[Hp]	10	7.5	20	7.5	50	15
Maximum Hp, 1-Phase AC							
120V, 60 Hz	[Hp]	0.75	0.5	2	0.5	3	1.5
240V, 60 Hz	[Hp]	2	1.5	3	1.5	10	3
Maximum Hp, DC							
125V DC	[Hp]	2	3	3	2	5	5
250V DC	[Hp]	3	5	5	5	10	10

(1) Based on Rockwell Automation tests in accordance with the requirements as defined in CSA C22.2 No. 4, IEC 60947-3 and UL 98.

Electrical Ratings						
Cat. No.		194R-J100	194R-J200	194R-J400	194R-J600	194R-L800
Rated Current	[A]	100	200	400	600	800
Standards Compliance		UL 98, CSA22.2, No. 4				
Ratings per UL/CSA						
Maximum Voltage, AC	[V]	600				
Maximum Voltage, DC	[V]	250				
Maximum Short Circuit Fault Current	[kA]	200	100	100	100	100
Fuse Type						
UL		J	J	J	J	L
CSA		HRCI-J	HRCI-J	HRCI-J	HRCI-J	HRCI-L
Max. Fuse Rating	[A]	100	200	400	600	800
Max. Hp Rating, 3-phase						
240V	[Hp]	30	60	125	200	200
480V	[Hp]	60	125	250	500	500
600V	[Hp]	75	150	350	500	500
Max. Hp Rating, DC						
125V, 2 poles in series	[Hp]	7.5	15	20	—	—
240V, 3 poles in series	[Hp]	20	40	50	—	—

Specifications

Mechanical Data			
Cat. No.		194R-J30-1753	194R-J60-1753
Degree of Protection (per IEC 60947-3), Switch Only		IP20	IP20
Degree of Protection (per IEC 60947-3), Switch with Terminal Shield & Fuse Carriers		IP20	IP20
Mechanical Endurance ⁽¹⁾	Operations	10 000	10 000
Operating Torque (Maximum)	N•m	3.5	3.5
	lb•in	35	35
Terminal Capacity, Power Terminals	mm ²	2.5...10	2.5...25
	AWG	#14...#8	#14...#4
Terminal Capacity, Auxiliary Contact Terminals	mm ²	2.5...4	2.5...4
	AWG	#14...#12	#14...#12
Maximum Number of Auxiliary Circuits		6	6
Approximate Weight	kg	0.92	1.32
	lbs	2.03	2.9
Minimum Enclosure Size	Height [mm (in.)]	248 (9-3/4)	248 (9-3/4)
	Width [mm (in.)]	171 (6-3/4)	197 (7-3/4)
	Depth [mm (in.)]	148 (5-13/16)	148 (5-13/16)
Switch Dimension Reference (See dimension drawings.)		A1	B1

(1) Based on Rockwell Automation tests in accordance with the requirements as defined in CSA C22.2 No. 4, IEC 60947-3 and UL 98.

Electrical Ratings						
Cat. No.		194R-J100-1753	194R-J200-1753	194R-J400-1753	194R-J600-1753	194R-L800-1753
Degree of Protection (per IEC 60947-3), Switch Only		IP20	IP20	IP20	IP20	IP20
Degree of Protection (per IEC 60947-3), Switch with Terminal Shield & Fuse Carriers		IP20	IP20	IP20	IP20	IP20
Mechanical Endurance ⁽¹⁾	Operations	10 000	8 000	6 000	5 000	5 000
Operating Torque (Maximum)	N•m					
	lb•in					
Terminal Capacity, Power Terminals	mm ²		300 MCM	600 MCM; 2 x 300 MCM	2 x 600 MCM	2 x 600 MCM
	AWG	#12... #10 Solid Cu #12...#1 stranded	#6	#2 or 2 x #6	2 x #2	2 x #2
Terminal Capacity, Auxiliary Contact Terminals	mm ²	2.5...4	2.5...4	2.5...4	2.5...4	2.5...4
	AWG	#14...#12	#14...#12	#14...#12	#14...#12	#14...#12
Maximum Number of Auxiliary Circuits		4	8	8	8	8
Approximate Weight	kg	2.4	3.6	4.85	20	20
	lbs	5.3	7.9	10.7	44	44
Minimum Enclosure Size	Height [mm (in.)]	406 (16)	610 (24)	1000 (39.4)	1219 (48)	1219 (48)
	Width [mm (in.)]	610 (24)	508 (20)	800 (31.5)	914.5 (36)	914.5 (36)
	Depth [mm (in.)]	152 (6)	152 (6)	200 (11.8)	305 (12)	305 (12)
Switch Dimension Reference (See dimension drawings.)		F5	F6	F7	F8	F8

(1) Based on Rockwell Automation tests in accordance with the requirements as defined in CSA C22.2 No. 4, IEC 60947-3 and UL 98.

Non-Fused Disconnect Switches for CSA and UL Class Applications

Non-fused disconnect switches must be used with separately installed fuses.

Cat. No.		Electrical Ratings			
		194R-N30-1753		194R-N60-1753	
Maximum Voltage, AC	[V]	600		600	
Maximum Voltage, DC	[V]	250		250	
Ampere Rating	[A]	30		60	
Maximum Short Circuit Prospective Fault Current	[kA]	200		200	
Maximum Hp, 3-Phase AC					
200V, 60 Hz	[Hp]	7.5	3	15	7.5
240V, 60 Hz	[Hp]	7.5	3	15	7.5
480V, 60 Hz	[Hp]	15	5	30	15
600V, 60 Hz	[Hp]	20	7.5	50	15
Maximum Hp, 1-Phase AC					
120V, 60 Hz	[Hp]	2	0.5	3	1.5
240V, 60 Hz	[Hp]	3	1.5	10	3
Maximum Hp, DC					
125V DC	[Hp]	3	2	5	5
250V DC	[Hp]	5	5	10	10
Power Lost	[W]	2		6	

Cat. No.		Electrical Ratings					
		194R-NU100	194R-NU200	194R-NU400	194R-NU600	194R-NU800	194R-NU1200
Rated Current	[A]	100	200	400	600	800	1200
Standards Compliance		UL 98, IEC					
Ratings per UL/CSA							
Maximum Voltage, AC	[V]	600					
Maximum Voltage, DC	[V]	250					
Maximum Short Circuit Fault Current	[kA]	200	200	200	200	100	100
Fuse Type		J	J	J	J	L	L
Max. Fuse Rating	[A]	100	200	400	600	800	1200
Max. Hp Rating, 3-phase							
240V	[Hp]	30	75	125	200	200	200
480V	[Hp]	75	150	250	400	500	500
600V	[Hp]	100	200	350	350	500	500
Max. Hp Rating, DC							
125V, 2 poles in series	[Hp]	10	15	20	20	—	—
240V, 3 poles in series	[Hp]	15	15	50	50	—	—

Specifications

Mechanical Data					
Cat. No.		194R-N30	194R-N60	194R-NU100	194R-NU200
Degree of Protection (per IEC 60947-3), Switch Only		IP20	IP20	IP20	IP20
Degree of Protection (per IEC 60947-3), Switch with Terminal Shield & Fuse Carriers		IP20	IP20	IP20	IP20
Mechanical Endurance	Operations	10 000	10 000	10 000	10 000
Operating Torque (Maximum)	N•m	3.5	3.5	10	10
	lb•in	35	35	88.5	88.5
Terminal Capacity, Power Terminals	mm ²	2.5...10	2.5...25	300 MCM	300 MCM
	AWG	#14...#8	#14...#4	#6	#6
Terminal Capacity, Auxiliary Contact Terminals	mm ²	2.5...10	2.5...25	—	—
	AWG	#14...#8	#14...#4		
Maximum Number of Auxiliary Circuits		6	6	2	2
Approximate Weight	kg	0.81	1.14	1.67/2.1	1.67/2.1
	lbs	1.78	2.52	3.7/4.3	3.7/4.3
Minimum Enclosure Size	Height [mm (in.)]	248 (9-3/4)	248 (9-3/4)	—	—
	Width [mm (in.)]	171 (6-3/4)	197 (7-3/4)		
	Depth [mm (in.)]	111 (4-3/8)	111 (4-3/8)		
Switch Dimension Reference (See dimension drawings.)		A2	B2	F1	F1

Mechanical Data					
Cat. No.		194R-NU400	194R-NU600	194R-NU800	194R-NU1200
Degree of Protection (per IEC 60947-3), Switch Only		IP20	IP20	IP20	IP20
Degree of Protection (per IEC 60947-3), Switch with Terminal Shield & Fuse Carriers		IP20	IP20	IP20	IP20
Mechanical Endurance	Operations	6 000	6 000	3 500	3 500
Operating Torque (Maximum)	N•m	14.5	37	50	50
	lb•in	128.3	327.5	442	442
Terminal Capacity, Power Terminals	mm ²	600 MCM	2 x 600 MCM	4 x 600 MCM	4 x 600 MCM
	AWG	#2	2 x #2	4 x #2	4 x #2
Maximum Number of Auxiliary Circuits		2	2	2	2
Approximate Weight	kg	3/3.8	8.2/10.3	11.6/14.5	11.6/14.5
	lbs	6.6/8.4	18.1/22.7	25.6/32	25.6/32
Switch Dimension Reference (See dimension drawings.)		F2	F3	F4	F4

Non-Fused Disconnect Switches for IEC Applications

Non-fused disconnect switches must be used with separately installed fuses.

Electrical Ratings									
Cat. No.		194R-N30		194R-N60		194R-NE125		194R-NE160	
Maximum Voltage, AC	[V]	600		600		600		600	
Maximum Voltage, DC	[V]	250		250		250		250	
Ampere Rating	[A]	30		60		125		160	
Maximum Short Circuit Prospective Fault Current	[kA]	200		200		200		200	
Maximum Hp, 3-Phase AC									
200V, 60 Hz	[Hp]	7.5	3	15	7.5	—		—	
240V, 60 Hz	[Hp]	7.5	3	15	7.5	—		—	
480V, 60 Hz	[Hp]	15	5	30	15	—		—	
600V, 60 Hz	[Hp]	20	7.5	50	15	—		—	
Maximum Hp, 1-Phase AC									
120V, 60 Hz	[Hp]	2	0.5	3	1.5	—		—	
240V, 60 Hz	[Hp]	3	1.5	10	3	—		—	
Maximum Hp, DC									
125V DC	[Hp]	3	2	5	5	—		—	
250V DC	[Hp]	5	5	10	10	—		—	
Power Lost	[W]	2		6		—		—	

Electrical Ratings											
Cat. No.		194R-NE250		194R-NE400		194R-NE630		194R-NE800		194R-NE1250	
Maximum Voltage, AC	[V]	600		600		600		600		600	
Maximum Voltage, DC	[V]	250		250		250		250		250	
Ampere Rating	[A]	250		400		630		800		1250	
Maximum Short Circuit Prospective Fault Current	[kA]	200		200		200		100		100	

All Bulletin 194R Disconnect Switch Cat. Nos., 20...63 A Range

Environmental Data		
Ambient Temperature		
Open	°C (°F)	-2...+55 (-4...+131)
Enclosed	°C (°F)	-20...+40 (-4...+104)
Storage	°C (°F)	-40...+65 (-40...+149)
Altitude (per IEC 60947-1)		2 000
Relative Humidity (per IEC 60947-1)		90% @ +20 °C (+68 °F) 50% @ +40 °C (+104 °F)

Fused Disconnect Switches For CSA HRCII-C Fuses

Electrical Ratings			
Cat. No.		194R-H30	194R-H60
CSA Fuse Type		HRCII-C	HRCII-C
Maximum Fuse Cartridge Size	[A]	30	60
Maximum Voltage, AC	[V]	600	600
Ampere Rating	[A]	30	60
Maximum Short Circuit Prospective Fault Current	[kA]	200	200
Maximum Hp, 3-Phase AC			
200V, 60 Hz	[Hp]	7.5	15
240V, 60 Hz	[Hp]	7.5	15
480V, 60 Hz	[Hp]	15	30
600V, 60 Hz	[Hp]	20	50
Maximum Hp, 1-Phase AC			
120V, 60 Hz	[Hp]	2	3
240V, 60 Hz	[Hp]	3	10

Mechanical Data			
Cat. No.		194R-H30	194R-H60
Degree of Protection (per IEC 60947-3), Switch Only		IP20	IP20
Degree of Protection (per IEC 60947-3), Switch with Terminal Shield & Fuse Carriers		IP20	IP20
Mechanical Endurance ⁽¹⁾	Operations	10 000	10 000
Operating Torque (Maximum)	N•m	3.5	3.5
	lb•in	35	35
Terminal Capacity, Power Terminals	mm ²	2.5...10	2.5...25
	AWG	#14...#8	#14...#4
Maximum Number of Auxiliary Circuits		6	6
Approximate Weight	kg	1.18	1.18
	lbs	2.60	2.60
Minimum Enclosure Size	Height [mm (in.)]	248 (9-3/4)	248 (9-3/4)
	Width [mm (in.)]	171 (6-3/4)	197 (7-3/4)
	Depth [mm (in.)]	148 (5-13/16)	148 (5-13/16)
Switch Dimension Reference (See dimension drawings.)		B1	B1

(1) Based on Rockwell Automation tests in accordance with the requirements as defined in CSA C22.2 No. 4 and IEC 60947-3.

Fused Disconnect Switches For BS88 Fuses

Fuse classes BS88, DIN, and NFC are not suitable for use in North American applications.

Fuses must be selected with regard to the maximum prospective fault current of the system and the maximum cut-off current of the fuse when subjected to that maximum fault current. The maximum fuse cut-off current as specified for each disconnect switch must not be exceeded.

Electrical Ratings								
Cat. No.		194R-B20		194R-B32	194R-B63		194R-B100	194R-B160
Fuse Type	BS88 Dimension	A1		A2	A2, A3			
Rated Insulation Voltage (U_i)	[V]	1000		1000	1000		750	750
Rated Conditional Short-Circuit Current (r.m.s.) at 415V	[kA]	100		100	100		—	—
Rated Operational Current AC-22A (I_c)		Fuse Links	Shorting Links	Fuse Links	Fuse Links	Shorting Links	—	—
200/230V, 50 Hz	[A]	20	32	32	63	63	—	—
380/400/415V, 50 Hz	[A]	20	32	32	63	63	100	160
500V, 50 Hz	[A]	20	32	32	63	63	—	—
660/690V, 50 Hz	[A]	20	32	32	63	63	100	160
Rated Operational Current AC-23A (I_c)								
200/230V, 50 Hz	[A]	20	32	31	60.5	60	—	—
380/400/415V, 50 Hz	[A]	22	32	35	57	57	100	160
500V, 50 Hz	[A]	20	32	32.5	57	57	—	—
660/690V, 50 Hz	[A]	17	32	32.5	57	57	100	160
Rated Thermal Current (I_{the})	[A]	20	32	32	63	63	100	160
Maximum kW, AC-23A 3-Phase								
200/230V, 50 Hz	[kW]	5.5	9	9	18.5	18.5	—	—
380/400/415V, 50 Hz	[kW]	11	18.5	18.5	30	30	51	63
500V, 50 Hz	[kW]	11	18.5	18.5	30	30	—	—
660/690V, 50 Hz	[kW]	15	30	30	55	55	90	90
Maximum Fuse Rating	[kW]	20	—	32	63	—	100	160
Maximum Motor Circuit Fuse Link		20M32	—	32M63	63M100	—	—	—
Maximum Fuse Cut-off Current	[kA]	7.5	7.5	7.5	10	10	—	—
Rated Short Time Current, 1 Second	[kA]	1		1	1		—	—

Electrical Ratings									
Cat. No.		194R-B200	194R-B250	194R-B400	194R-B630	194R-B800	194R-B1250		
Rated Insulation Voltage (U_i)	[V]	750							
Rated Operational Current AC-22A (I_c)									
380/400/415V, 50 Hz	[A]	200	250	400	630	800	1250		
660/690V, 50 Hz	[A]	200	250	315	500	800	800		
Rated Operational Current AC-23A (I_c)									
380/400/415V, 50 Hz	[A]	200	250	400	630	800	1000		
660/690V, 50 Hz	[A]	200	250	250	315	630	800		
Rated Thermal Current (I_{the})	[A]	200	250	400	630	800	1250		
Maximum kW, AC-23A 3-Phase									
380/400/415V, 50 Hz	[kW]	80	132	220	355	—	—		
660/690V, 50 Hz	[kW]	110	220	220	295	400	400		
Maximum Fuse Rating	[A]	200	250	400	630	800	1250		

Specifications

Mechanical Data						
Cat. No.		194R-B20	194R-B32	194R-B63	194R-B100	194R-B160
Degree of Protection (per IEC 60947-3), Switch Only		IP20	IP20	IP20	IP20	IP20
Degree of Protection (per IEC 60947-3), Switch with Terminal Shield & Fuse Carriers		IP20	IP20	IP20	IP20	IP20
Mechanical Endurance ⁽¹⁾	Operations	10 000	10 000	10 000	10 000	10 000
	N•m	3.5	3.5	3.5	8.3	8.3
	lb•in	35	35	35	95	95
Terminal Capacity, Power Terminals	mm ²	2.5...10	2.5...10	2.5...25		
	AWG	#14...#8	#14...#8	#14...#4		
Terminal Capacity, Auxiliary Terminals	mm ²	2.5...4	2.5...4	2.5...4	2.5...4	2.5...4
	AWG	#14...#12	#14...#12	#14...#12	#14...#12	#14...#12
Maximum Number of Auxiliary Circuits		6	6	6		
Approximate Weight	kg	0.83	0.83	1.18	1.88	2.37
	lbs	1.84	1.84	2.60	4.75	5.22
Minimum Enclosure Size	Height [mm (in.)]	248 (9-3/4)	248 (9-3/4)	248 (9-3/4)		
	Width [mm (in.)]	171 (6-3/4)	171 (6-3/4)	197 (7-3/4)		
	Depth [mm (in.)]	148 (5-13/16)	148 (5-13/16)	148 (5-13/16)		
Switch Dimension Reference (See dimension drawings.)		A1	A1	B1	F13	F14

(1) Based on Rockwell Automation tests in accordance with the requirements as defined in CSA C22.2 No. 4 and IEC 60947-3.

Mechanical Data							
Cat. No.		194R-B200	194R-B250	194R-B400	194R-B630	194R-B800	194R-B1250
Degree of Protection (per IEC 60947-3), Switch Only		IP20	IP20	IP20	IP20	IP20	IP20
Degree of Protection (per IEC 60947-3), Switch with Terminal Shield & Fuse Carriers		IP20	IP20	IP20	IP20	IP20	IP20
Mechanical Endurance ⁽¹⁾	Operations	10 000	10 000	10 000	8 000	5 000	5 000
	N•m	20	20	20	40	40	40
	lb•in	177	177	177	352	352	352
Terminal Capacity, Power Terminals	mm ²	240	240	240	240	240	240
Terminal Capacity, Auxiliary Terminals	mm ²	2.5...4	2.5...4	2.5...4	2.5...4	2.5...4	2.5...4
	AWG	#14...#12	#14...#12	#14...#12	#14...#12	#14...#12	#14...#12
Maximum Number of Auxiliary Circuits		4	8	8	8	8	8
Approximate Weight	kg	3.77	3.77	4.85	17.77	19.77	37
	lbs	8.37	8.37	10.7	39	43.6	87.57
Switch Dimension Reference (See dimension drawings.)		F15	F15	F16	F17	F17	F18

(1) Based on Rockwell Automation tests in accordance with the requirements as defined in CSA C22.2 No. 4 and IEC 60947-3.

Fused Disconnect Switches For DIN Fuses

Fuse classes BS88, DIN, and NFC are not suitable for use in North American applications.

Fuses must be selected with regard to the maximum prospective fault current of the system and the maximum cut-off current of the fuse when subjected to that maximum fault current. The maximum fuse cut-off current as specified for each disconnect switch must not be exceeded.

Electrical Ratings					
Cat. No.		194R-D32	194R-D63	194R-D125	194R-D160
Fuse Type, DIN Dimension		00	0, 00	—	—
Rated Insulation Voltage (U_i)	[V]	1000	1000	750	750
Rated Conditional Short-Circuit Current (r.m.s.) at 415V	[kA]	100	100	—	—
Rated Operational Current AC-22A (I_e)		Fuse Links		—	—
200/230V, 50 Hz	[A]	32	63	—	—
380/400/415V, 50 Hz	[A]	32	63		160
500V, 50 Hz	[A]	32	63		—
660/690V, 50 Hz	[A]	32	63		160
Rated Operational Current AC-23A (I_e)					
200/230V, 50 Hz	[A]	31	60.5	—	—
380/400/415V, 50 Hz	[A]	35	57		160
500V, 50 Hz	[A]	32.5	57		—
660/690V, 50 Hz	[A]	32.5	57		160
Rated Thermal Current (I_{the})	[A]	40	63	125	160
Maximum kW, AC-23A 3-Phase					
200/230V, 50 Hz	[A]	9	18.5	—	—
380/400/415V, 50 Hz	[A]	18.5	30		63
500V, 50 Hz	[A]	18.5	30		—
660/690V, 50 Hz	[A]	30	55		90
Maximum Fuse Rating	[A]	32	63	125	160
Maximum Fuse Cut-off Current	[kA]	14	20	—	—
Rated Short Time Current, 1 Second	[kA]	1	1	—	—

Electrical Ratings						
Cat. No.		194R-D250	194R-D400	194R-D630	194R-D800	194R-D1250
Rated Insulation Voltage (U_i)	[V]	750	750	750	750	750
Rated Operational Current AC-22A (I_e)						
380/400/415V, 50 Hz	[A]	250	400	630	800	1250
660/690V, 50 Hz	[A]	250	315	500	800	800
Rated Operational Current AC-23A (I_e)						
380/400/415V, 50 Hz	[A]	250	400	630	800	1000
660/690V, 50 Hz	[A]	250	250	315	630	800
Rated Thermal Current (I_{the})	[A]	250	400	630	800	1250
Maximum kW, AC-23A 3-Phase						
380/400/415V, 50 Hz	[A]	132	220	355	—	—
500V, 50 Hz	[A]	—	—	—	450	560
660/690V, 50 Hz	[A]	220	220	295	400	400
Maximum Fuse Rating	[A]	250	400	630	800	1250

Specifications

Mechanical Data					
Cat. No.		194R-D32	194R-D63	194R-D125	194R-D160
Degree of Protection (per IEC 60947-3), Switch Only		IP20	IP20	IP20	IP20
Degree of Protection (per IEC 60947-3), Switch with Terminal Shield & Fuse Carriers		IP20	IP20	IP20	IP20
Mechanical Endurance ⁽¹⁾	Operations	10 000	8000	10 000	8 000
Operating Torque (Maximum)	N•m	3.5	3.5	8.3	8.3
	lb•in	35	35	95	95
Terminal Capacity, Power Terminals	mm ²	2.5...25	2.5...25	2.5...25	2.5...25
	AWG	#14...#4	#14...#4	#14...#4	#14...#4
Terminal Capacity, Auxiliary Terminals	mm ²	2.5...4	2.5...4	2.5...4	2.5...4
	AWG	#14...#12	#14...#12	#14...#12	#14...#12
Maximum Number of Auxiliary Circuits		6	6	6	6
Approximate Weight	kg	1.18	1.18	1.88	2.37
	lbs	2.60	2.60	4.75	5.22
Minimum Enclosure Size	Height [mm (in.)]	248 (9-3/4)	248 (9-3/4)	—	—
	Width [mm (in.)]	197 (7-3/4)	171 (6-3/4)		
	Depth [mm (in.)]	148 (5-13/16)	148 (5-13/16)		
Switch Dimension Reference (See dimension drawings.)		B1	B1	F13	F13

(1) Based on Rockwell Automation tests in accordance with the requirements as defined in CSA C22.2 No. 4 and IEC 60947-3.

Mechanical Data						
Cat. No.		194R-D250	194R-D400	194R-D630	194R-D800	194R-D1250
Degree of Protection (per IEC 60947-3), Switch Only		IP20	IP20	IP20	IP20	IP20
Degree of Protection (per IEC 60947-3), Switch with Terminal Shield & Fuse Carriers		IP20	IP20	IP20	IP20	IP20
Mechanical Endurance ⁽¹⁾	Operations	10 000	10 000	8 000	5 000	5 000
Operating Torque (Maximum)	N•m	20	20	40	40	40
Terminal Capacity, Power Terminals	mm ²	240	240	240	240	240
Terminal Capacity, Auxiliary Terminals	mm ²	2.5...4	2.5...4	2.5...4	2.5...4	2.5...4
	AWG	#14...#12	#14...#12	#14...#12	#14...#12	#14...#12
Maximum Number of Auxiliary Circuits		8	8	8	8	8
Approximate Weight	kg	3.77	4.85	17.77	19.77	37
	lbs	8.37	10.7	39	43.6	87.57
Switch Dimension Reference (See dimension drawings.)		F15	F16	F17	F17	F18

(1) Based on Rockwell Automation tests in accordance with the requirements as defined in CSA C22.2 No. 4 and IEC 60947-3.

Wiring Schematic

Figure 1 - Wiring Schematic

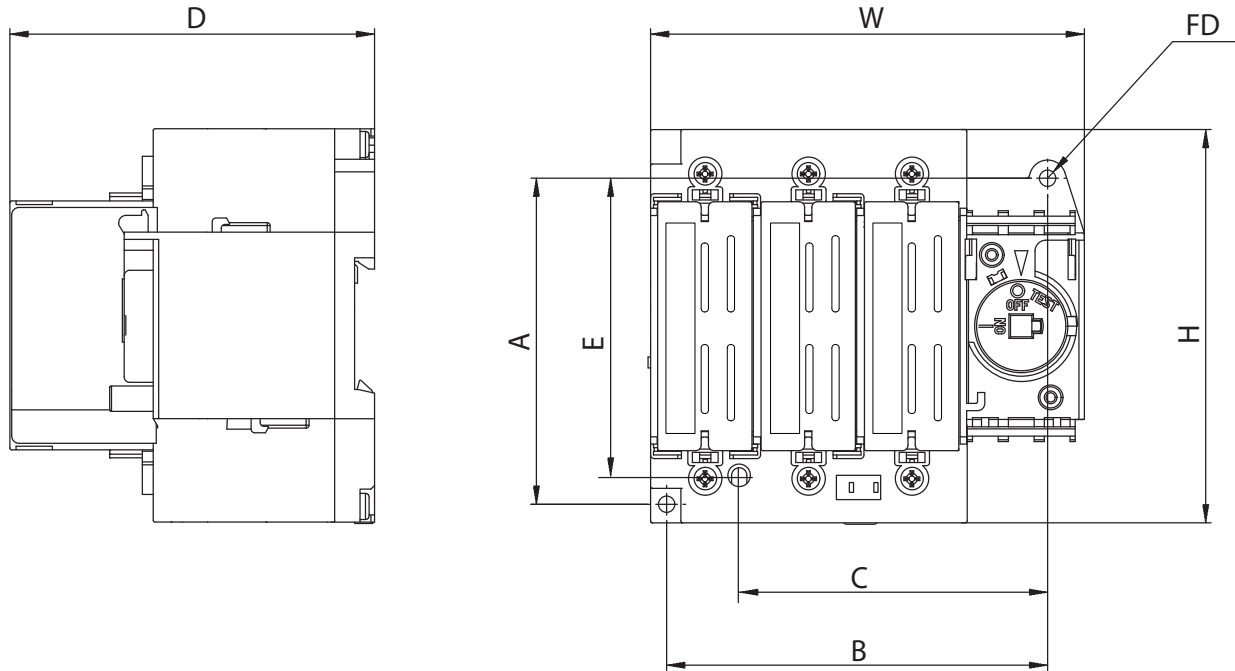
UL LISTED, CSA CERTIFIED	DIMENSION REFERENCE	CIRCUIT
Cat. No.		
194R-C30-1753	A1	
194R-J30-1753	A1	
194R-J60-1753	B1	
194R-H30-1753	B1	
194R-H60-1753	B1	
194R-N30-1753	A2	
194R-N60-1753	B2	
IEC SWITCHES	DIMENSION REFERENCE	CIRCUIT
Cat. No.		
194R-B20-1753	A1	
194R-B32-1753	A1	
194R-B63-1753	B1	
194R-D32-1753	B1	
194R-D63-1753	B1	
194R-F25-1753	A1	
194R-F32-1753	A1	
194R-F63-1753	B1	
194R-* -1754	See Column W4 for the width of the 4-pole switch	

Notes:

Approximate Dimensions

Dimensions are in millimeters (inches). Dimensions are not intended to be used for manufacturing purposes.

Figure 2 - Disconnect Switch Dimension References A1, A2, B1, and B2 (30 A and 60 A)

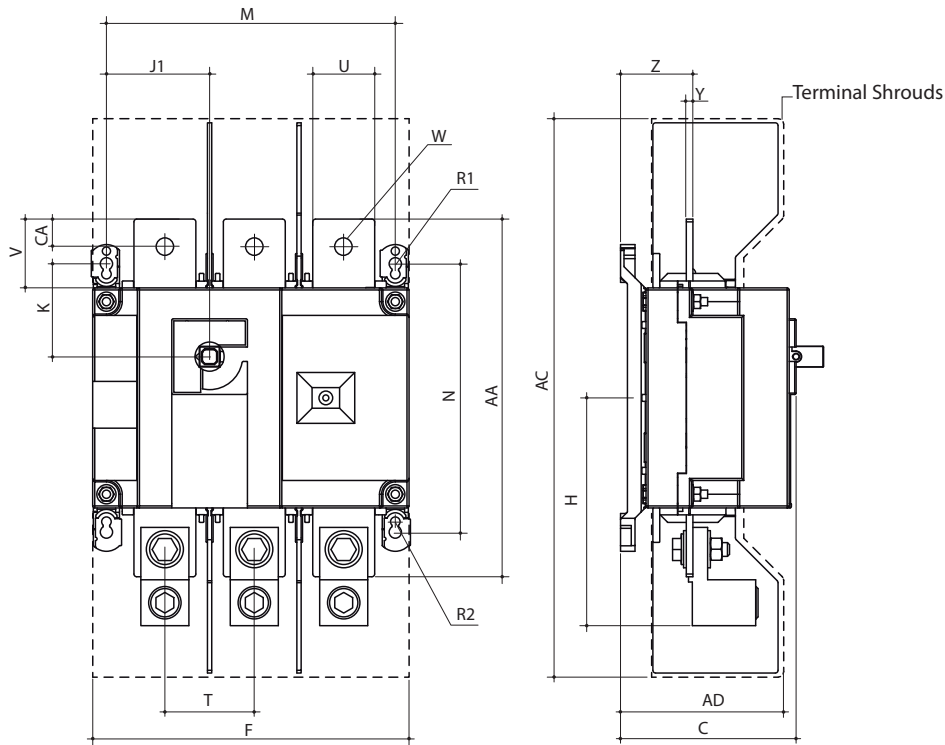


Disconnect Switch Dimension Reference	Approximate Dimensions [mm (in.)]								
	H	W (3-pole)	W (4-pole)	D	A	B	C ⁽¹⁾	E ⁽¹⁾	FD
A1	108 (4-1/4)	120 (4-3/4)	149 (5-7/8)	101 (4)	90 (3-9/16)	105 (4-1/8)	85 (3-11/32)	82 (3-15/64)	2-M4, 2-#8
A2	108 (4-1/4)	120 (4-3/4)	149 (5-7/8)	80 (3-1/8)	90 (3-9/16)	105 (4-1/8)	85 (3-11/32)	82 (3-15/64)	2-M4, 2-#8
B1	113 (4-29/64)	142 (5-19/32)	179 (7-3/64)	114 (4-31/64)	100 (3-15/16)	120 (4-23/32)	NA	NA	4-M4, 4-#8
B2	113 (4-29/64)	142 (5-19/32)	179 (7-3/64)	93 (3-43/64)	100 (3-15/16)	120 (4-23/32)	NA	NA	4-M4, 4-#8

(1) Mounting holes for backward compatibility with Bulletin 194R legacy switches.

UL/CSA Disconnect Switches 100...1200 A

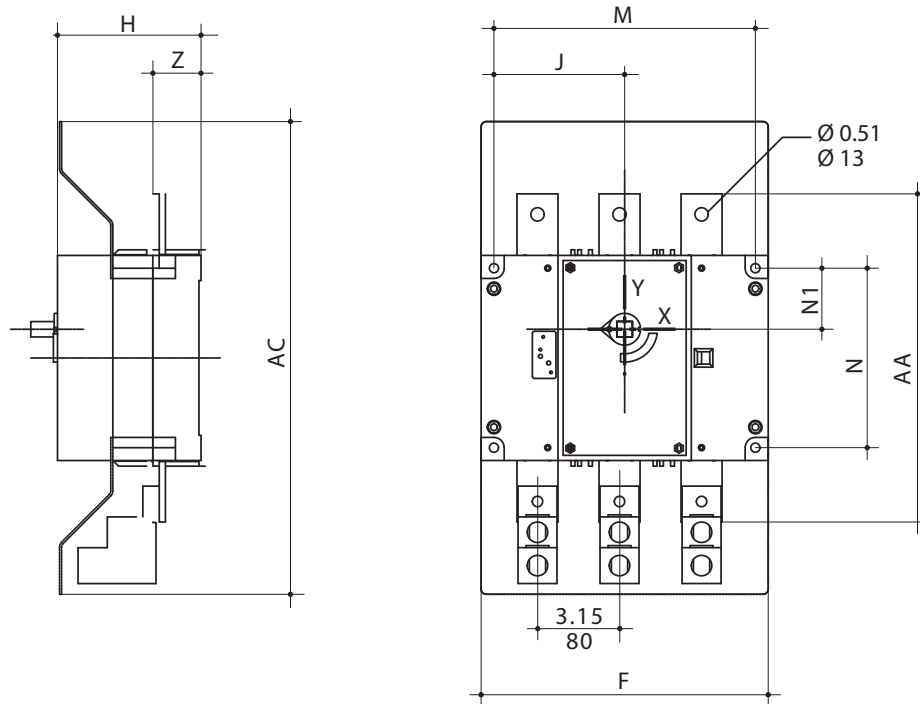
Figure 3 - 100...400 A UL/CSA Non-Fused Disconnect Switches



Cat. No. 194R-N...	Disconnect Switch Dimension Reference	Approximate Dimensions [mm (in.)]										
		Overall		Terminal Shrouds		Switch Body					Switch Mounting	
		C	AC	AD	F (3-pole)	F (4-pole)	H	J1 (3-pole)	J1 (4-pole)	K	M (3-pole)	M (4-pole)
100	F1	94.6 (3.72)	256 (10.1)	77.5 (3.05)	180 (7.09)	230 (9.06)	107 (4.22)	55 (2.17)	105 (4.13)	45.6 (1.8)	160 (6.3)	210 (8.7)
200	F1	94.6 (3.72)	256 (10.1)	77.5 (3.05)	180 (7.09)	230 (9.06)	107 (4.22)	55 (2.17)	105 (4.13)	45.6 (1.8)	160 (6.3)	210 (8.7)
400	F2	128 (4.92)	406 (16)	115 (4.15)	230 (9.05)	290 (11.4)	166 (6.53)	75 (2.95)	135 (5.31)	67.5 (2.65)	210 (8.26)	270 (10.6)

Cat. No. 194R-N...	Disconnect Switch Dimension Reference	Approximate Dimensions [mm (in.)]										
		Switch Mounting			Connection							
		N	R1	R2	T	U	V	W	Y	Z	AA	AC
100	F1	135 (5.31)	9 (0.35)	7 (0.27)	50 (1.97)	25 (0.98)	30 (1.18)	11 (0.43)	3.5 (0.14)	34.4 (0.14)	160 (6.3)	15 (0.6)
200	F1	135 (5.31)	9 (0.35)	7 (0.27)	50 (1.97)	25 (0.98)	30 (1.18)	11 (0.43)	3.5 (0.14)	34.4 (0.14)	160 (6.3)	15 (0.6)
400	F2	195 (7.67)	9 (0.35)	7 (0.27)	65 (2.56)	45 (1.77)	50 (1.97)	13 (0.43)	5 (0.2)	53 (2.08)	260 (10.2)	20 (0.8)

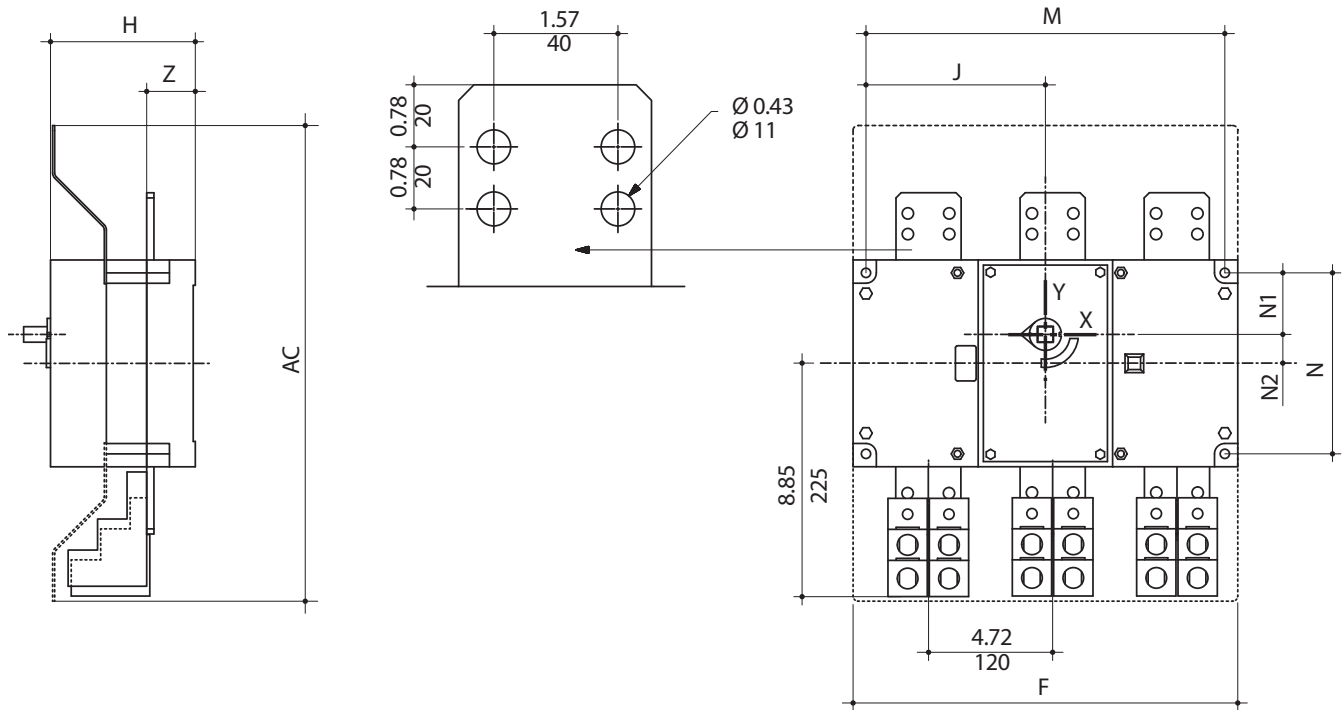
Figure 4 - 600 A UL/CSA Non-Fused Disconnect Switches



Cat. No. 194R-N...	Disconnect Switch Dimension Reference	Approximate Dimensions [mm (in.)]					
		Terminal Shrouds	Switch Body				
		AC	F (3-pole)	F (4-pole)	H	J (3-pole)	J (4-pole)
600	F3	94.6 (3.72)	256 (10.1)	77.5 (3.05)	180 (7.09)	230 (9.06)	107 (4.22)

Cat. No. 194R-N...	Disconnect Switch Dimension Reference	Approximate Dimensions [mm (in.)]					
		Switch Mounting				Connection	
		M (3-pole)	M (4-pole)	N	N1	AA	Z
600	F3	255 (10.03)	335 (13.19)	175(6.88)	59.5 (2.34)	320 (12.6)	47 (1.85)

Figure 5 - 800...1200 A UL/CSA Non-Fused Disconnect Switches



Cat. No. 194R-N...	Disconnect Switch Dimension Reference	Approximate Dimensions [mm (in.)]					
		Terminal Shrouds	Switch Body				
		AC	F (3-pole)	F (4-pole)	H	J1 (3-pole)	J1 (4-pole)
800	F4	460 (18.12)	372 (14.64)	492 (19.37)	140 (5.5)	173.5 (6.83)	233.5 (9.19)
1200	F4	460 (18.12)	372 (14.64)	492 (19.37)	140 (5.5)	173.5 (6.83)	233.5 (9.19)

Cat. No. 194R-N...	Disconnect Switch Dimension Reference	Approximate Dimensions [mm (in.)]					
		Switch Mounting				Connection	
		M (3-pole)	M (4-pole)	N	N1	AA	Z
800	F4	347 (13.66)	467 (18.38)	175 (6.88)	59.5 (2.34)	28 (1.10)	47 (1.85)
1200	F4	347 (13.66)	467 (18.38)	175 (6.88)	59.5 (2.34)	330 (13)	47 (1.85)

Figure 6 - Cat. No. 194R-J100, Frame Size F5 UL/CSA Fused Disconnect Switches

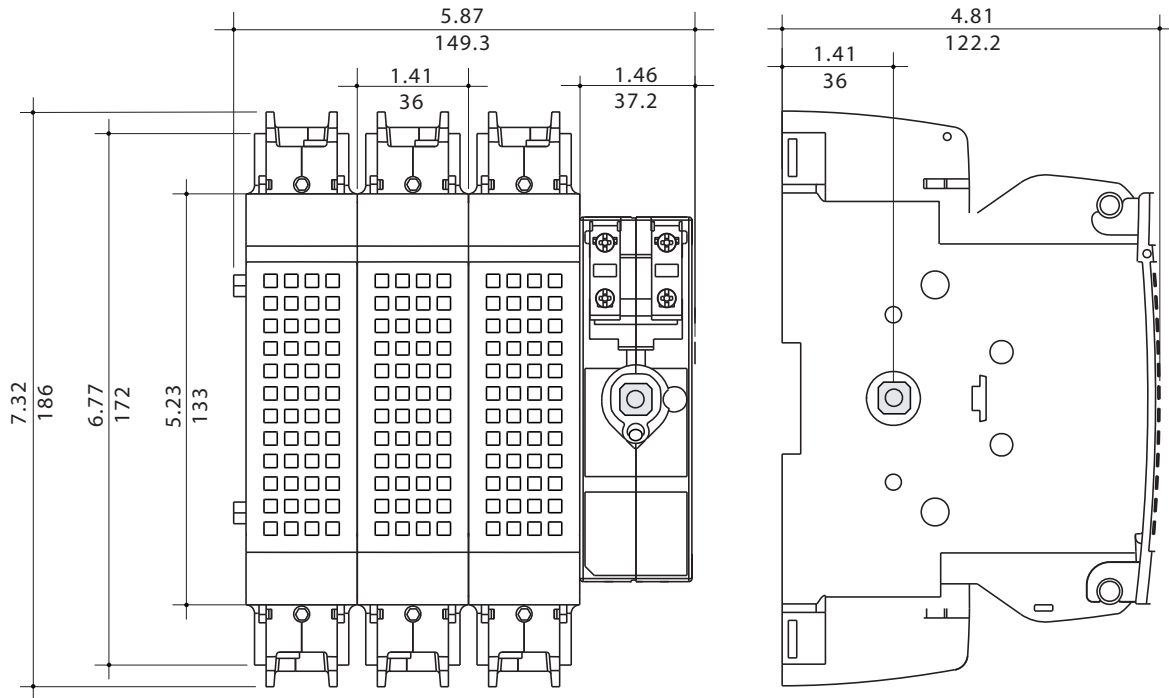


Figure 7 - Cat. No. 194R-J200, Frame Size F6 UL/CSA Fused Disconnect Switches

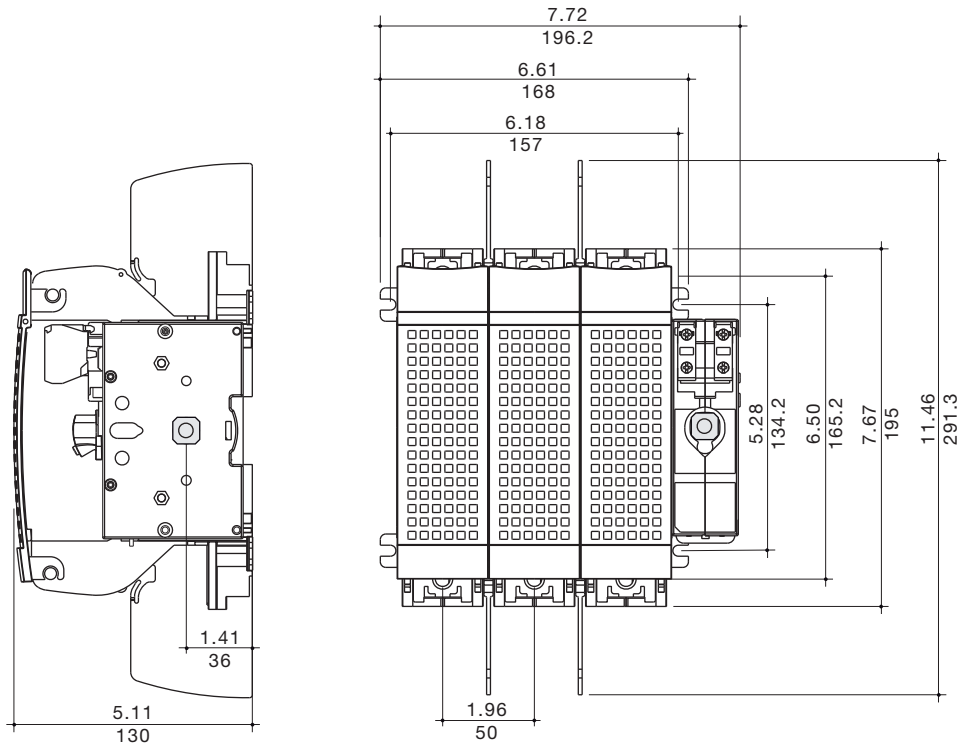


Figure 8 - Cat. No. 194R-J400, Frame Size F7 UL/CSA Fused Disconnect Switches

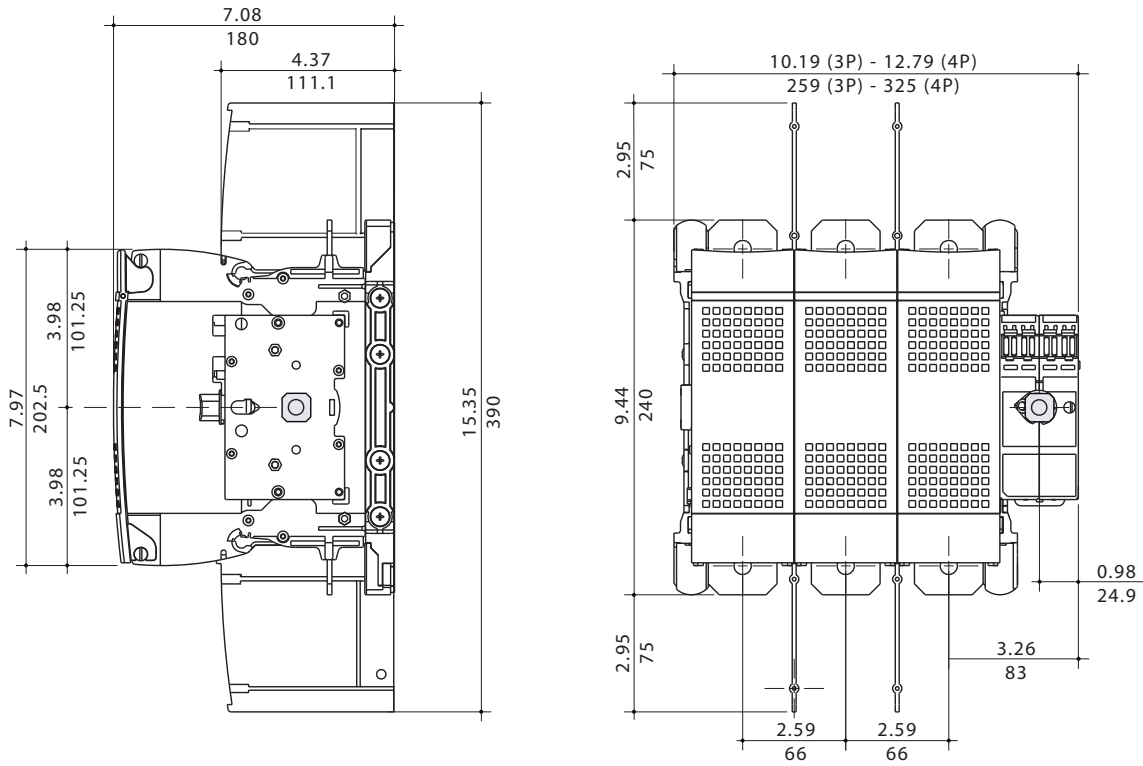
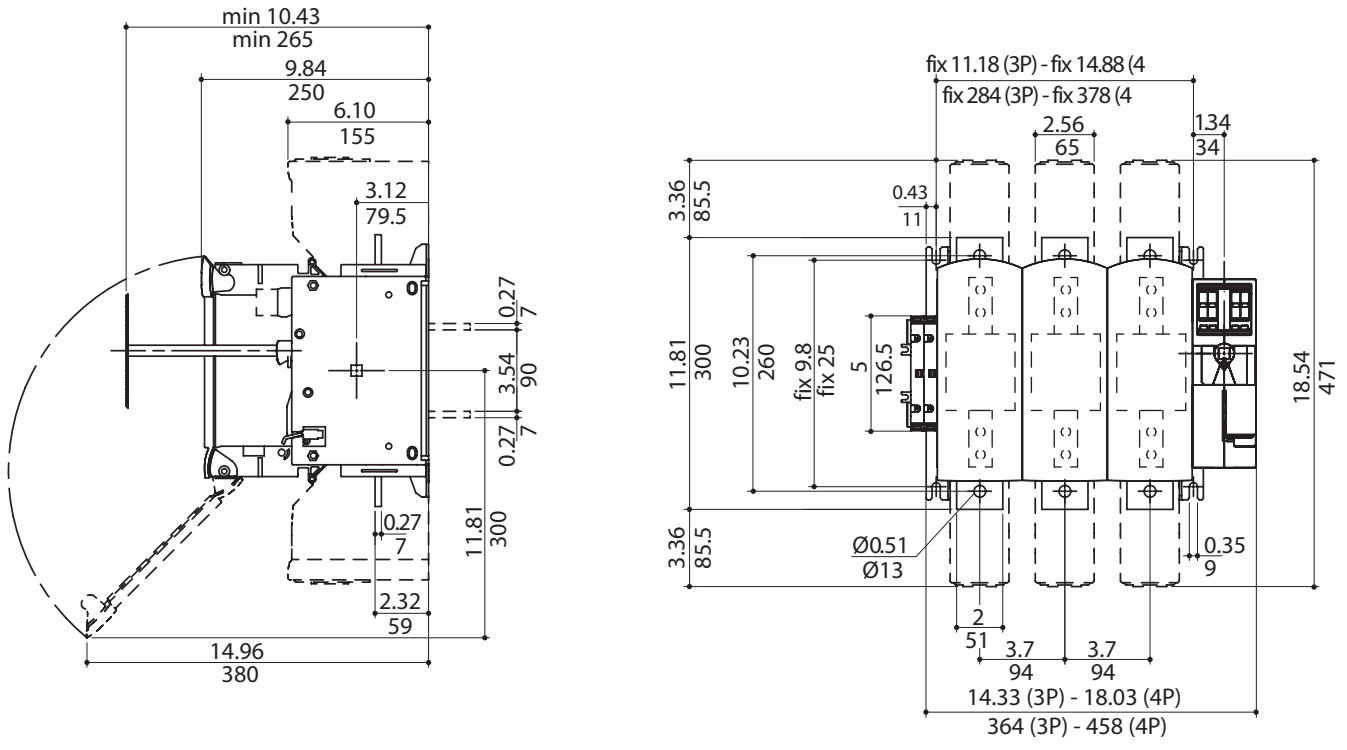
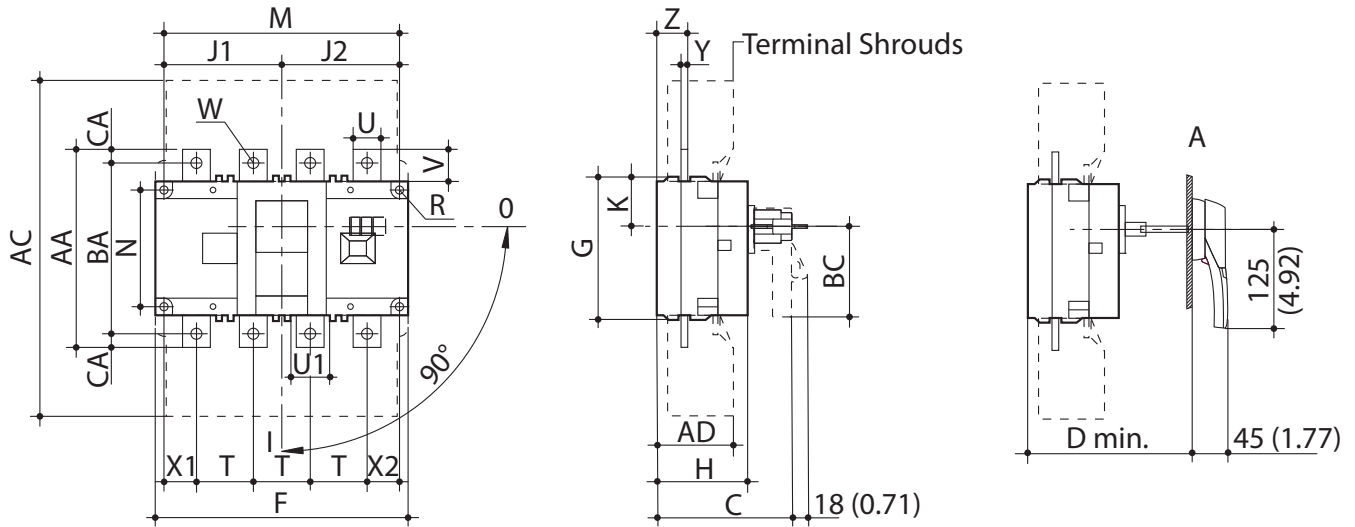


Figure 9 - Cat. No. 194R-J600, -L800, Frame Size F8 UL/CSA Fused Disconnect Switches



IEC Disconnect Switches, 125...1250 A

Figure 10 - 125...630 A IEC Non-Fused Disconnect Switches

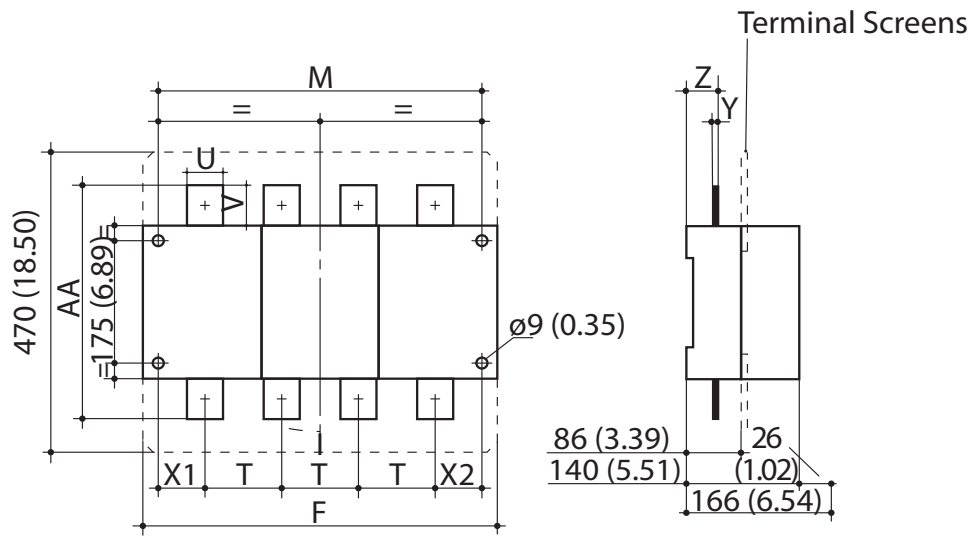


Cat. No. 194R-NE...	Approximate Dimensions [mm (in.)]												
	Overall		Terminal Shrouds		Switch Body								
	C	D (min.)	AC	AD	F (3-pole)	F (4-pole)	G	H	J1 (3-pole)	J1 (4-pole)	J2	K	BC
125	115 (4.53)	125 (4.92)	235 (9.25)	50 (1.97)	140 (5.51)	170 (6.69)	93 (3.66)	65 (2.56)	45 (1.77)	75 (2.95)	75 (2.95)	31.5 (1.24)	80 (3.15)
160	115 (4.53)	125 (4.92)	235 (9.25)	50 (1.97)	140 (5.51)	170 (6.69)	93 (3.66)	65 (2.56)	45 (1.77)	75 (2.95)	75 (2.95)	31.5 (1.24)	80 (3.15)
250	125 (4.92)	135 (5.31)	280 (11.02)	60 (2.36)	180 (7.09)	230 (9.06)	108 (4.25)	75 (2.95)	55 (2.17)	105 (4.13)	105 (4.13)	34 (1.34)	115 (4.53)
400	160 (6.30)	165 (6.50)	401 (15.79)	89 (3.50)	230 (9.05)	290 (11.40)	170 (6.69)	110 (4.33)	75 (2.95)	135 (5.31)	135 (5.31)	55 (2.17)	115 (4.53)
630	160 (6.30)	165 (6.50)	401 (15.79)	89 (3.50)	230 (9.05)	290 (11.40)	170 (6.69)	110 (4.33)	75 (2.95)	135 (5.31)	135 (5.31)	55 (2.17)	115 (4.53)

Cat. No. 194R-NE...	Approximate Dimensions [mm (in.)]			
	Switch Mounting			
	M (3-pole)	M (4-pole)	N	R
125	120 (4.72)	150 (5.90)	65 (2.56)	5.5 (0.21)
160	120 (4.72)	150 (5.90)	65 (2.56)	5.5 (0.21)
250	80 (3.15)	160 (6.30)	210 (8.27)	5.5 (0.21)
400	210 (8.28)	270 (10.60)	140 (5.51)	7 (0.28)
630	210 (8.28)	270 (10.60)	140 (5.51)	7 (0.28)




Cat. No. 194R-NE...	Approximate Dimensions [mm (in.)]												
	Connection												
	T	U	U1	V	W	X1 (3-pole)	X1 (4-pole)	X2	Y	Z	AA	BA	CA
125	36 (1.41)	20 (0.79)	20.5 (0.81)	25 (0.98)	9 (0.35)	28 (1.10)	22 (87)	20 (0.79)	3.5 (0.14)	20.5 (0.81)	135 (5.31)	115 (4.53)	10 (0.39)
160	36 (1.41)	20 (0.79)	20.5 (0.81)	25 (0.98)	9 (0.35)	28 (1.10)	22 (87)	20 (0.79)	3.5 (0.14)	20.5 (0.81)	135 (5.31)	115 (4.53)	10 (0.39)
250	50 (1.97)	25 (0.98)	25.5 (1.00)	30 (1.18)	11 (0.43)	33 (1.30)	33 (1.30)	27 (1.06)	3.5 (0.14)	22.5 (0.89)	160 (6.30)	130 (5.12)	15 (0.60)
400	65 (2.56)	32 (1.26)	45.5 (1.79)	37.5 (1.48)	11 (0.43)	42.5 (1.67)	37.5 (1.48)	37.5 (1.48)	5 (0.20)	36 (1.41)	235 (9.25)	205 (8.07)	15 (0.60)
630	65 (2.56)	32 (1.26)	45.5 (1.79)	37.5 (1.48)	11 (0.43)	42.5 (1.67)	37.5 (1.48)	37.5 (1.48)	5 (0.20)	36 (1.41)	235 (9.25)	205 (8.07)	20 (0.79)

Figure 11 - 800...1250 A IEC Non-Fused Disconnect Switches



Cat. No. 194R-NE...	Approximate Dimensions [mm (in.)]											
	Switch Body		Switch Mounting		Connection							
	F (3-pole)	F (4-pole)	M (3-pole)	M (4-pole)	T	U	V	Y	X1	X2	Z	AA
800	280 (11.02)	360 (14.17)	255 (10.04)	335 (13.19)	80 (3.15)	50 (1.97)	60.5 (2.38)	7 (0.27)	47.5 (1.87)	47.5 (1.87)	46.5 (1.83)	321 (12.64)
1250	372 (14.65)	492 (19.37)	347 (13.66)	467 (18.39)	120 (4.72)	90 (3.54)	44 (1.73)	8 (0.31)	53.5 (2.11)	53.5 (2.11)	47.5 (1.87)	288 (11.34)

Figure 12 - Cat. No. 194R-B100-1753, 194R-D125-1753, Frame Size F13 IEC Fused Disconnect Switches

-  1...4 pre-break auxiliary contacts for signalling
-  Terminal shrouds
-  179 (7.05) for BS88 / NFC and DIN 100...125 A
189 (7.44) for NFC and DIN 125...160 A

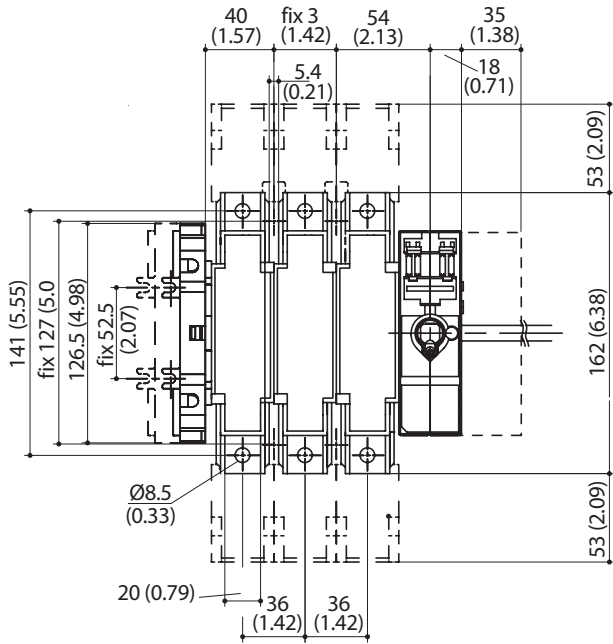
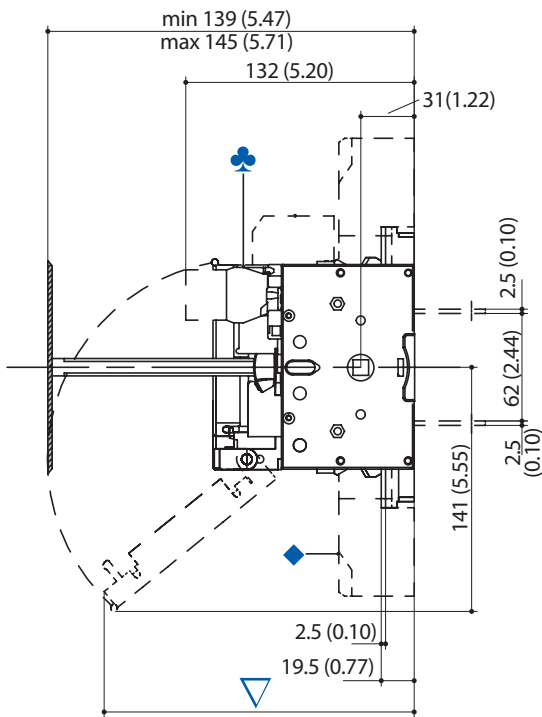
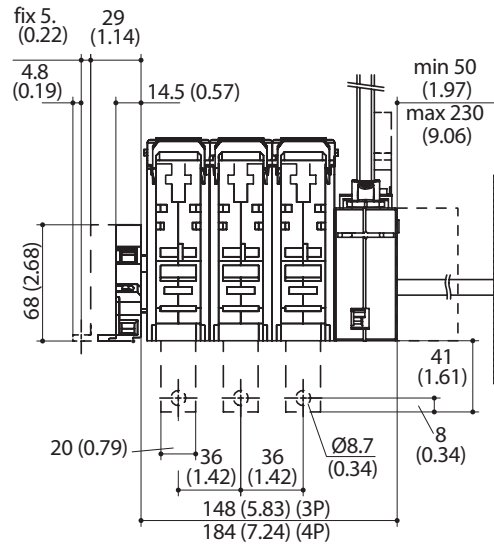




Figure 13 - Cat. No. 194R-B160-1753, 194R-D160-1753, Frame Size F14 IEC Fused Disconnect Switches

-  1...4 pre-break auxiliary contact for signalling
-  Terminal shrouds

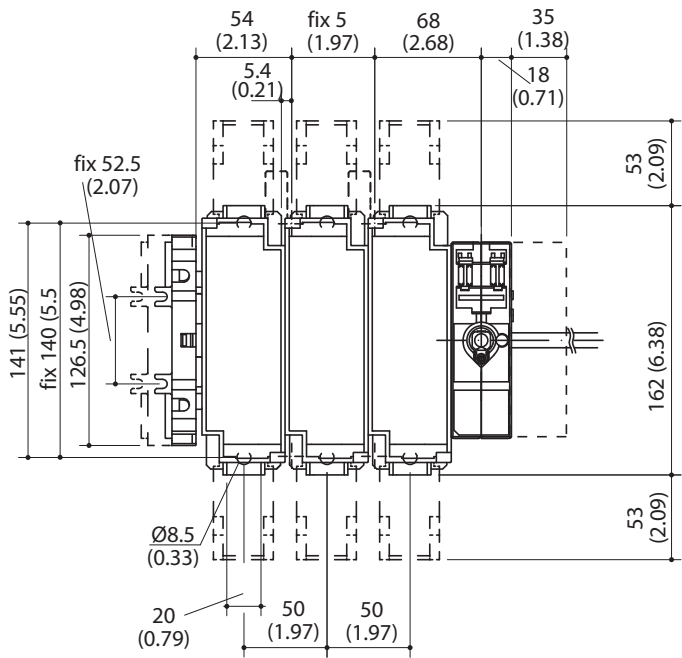
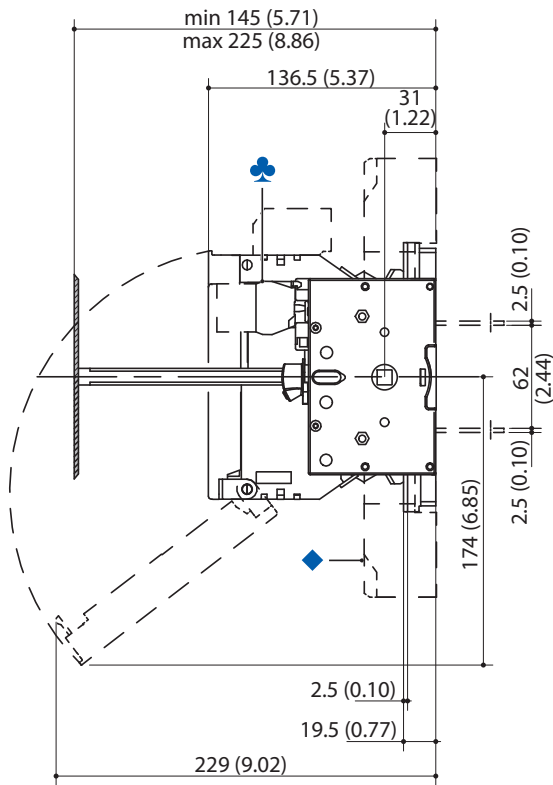
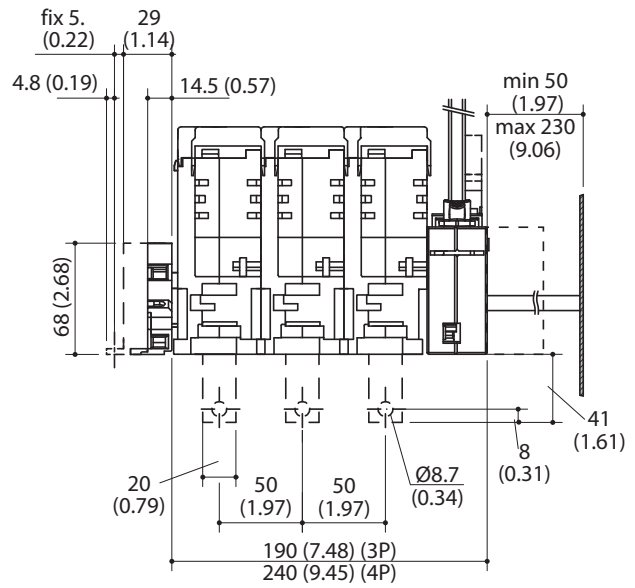


Figure 14 - Cat. No. 194R-B200-1753, 194R-D250-1753, Frame Size F15 IEC Fused Disconnect Switches

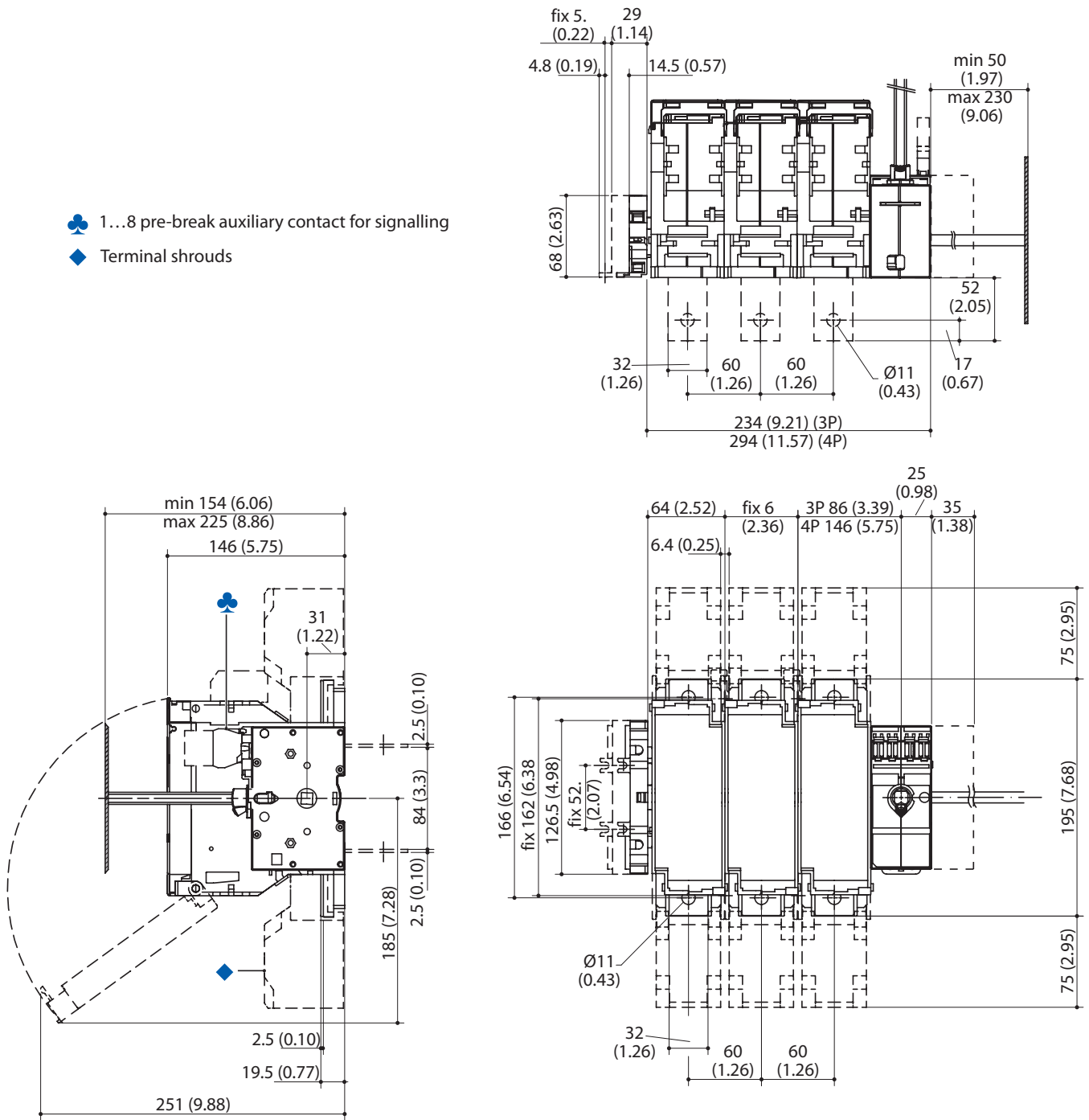


Figure 15 - Cat. No. 194R-B400-1753, 194R-D400-1753, Frame Size F16 IEC Fused Disconnect Switches

- ♣ 1...8 pre-break auxiliary contact for signalling
- ◆ Terminal shrouds

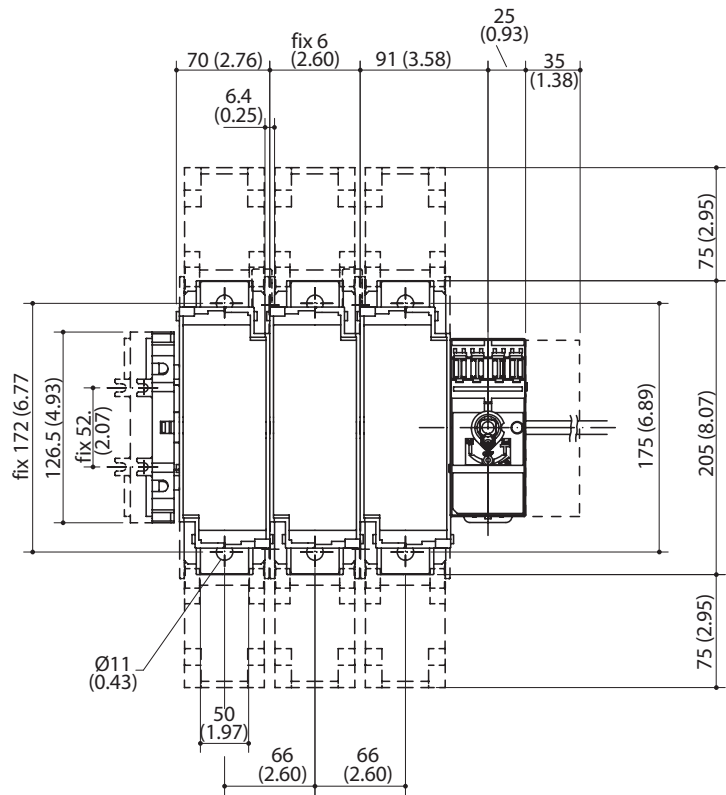
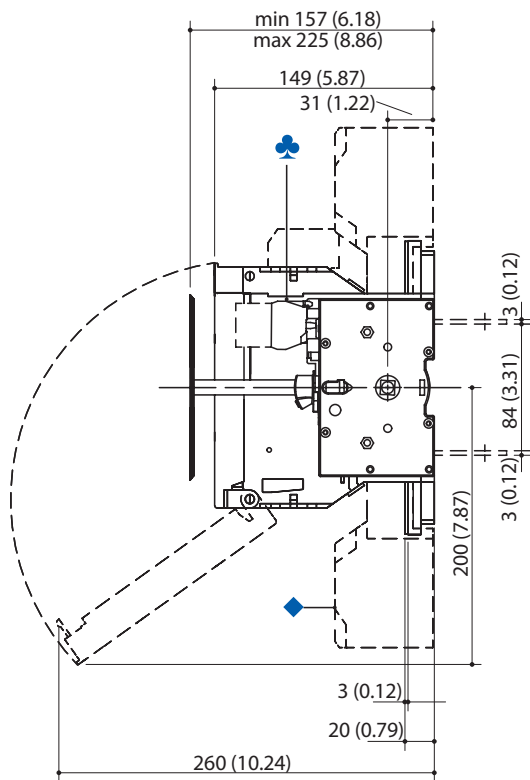
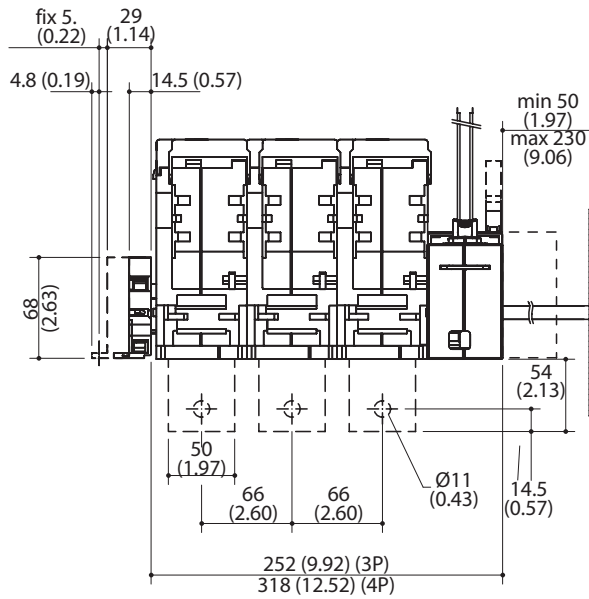


Figure 16 - Cat. No. 194R-B630-1753, 194R-D630-1753, 194R-B800-1753, 194R-D800-1753, Frame Size F17 IEC Fused Disconnect Switches

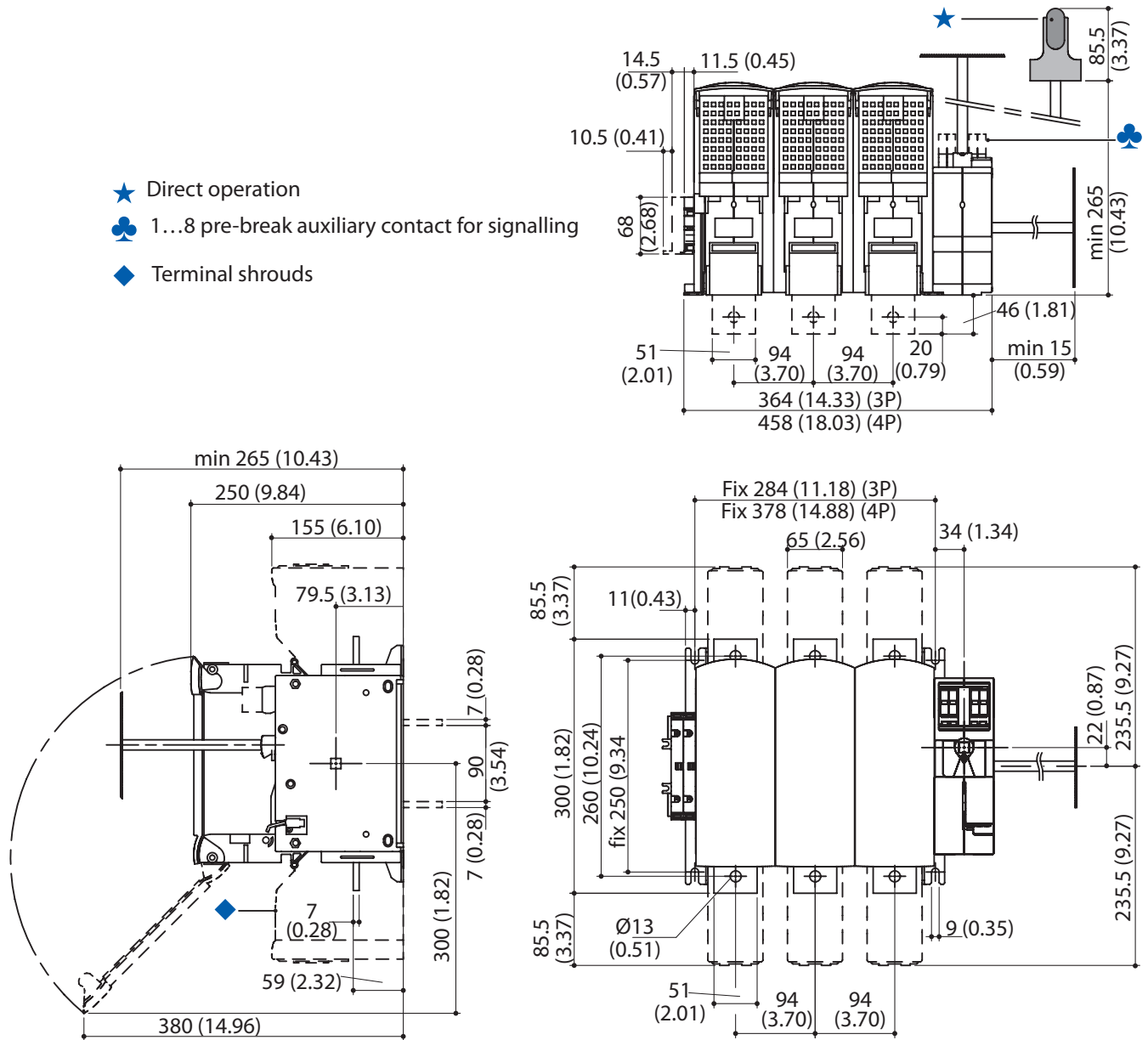
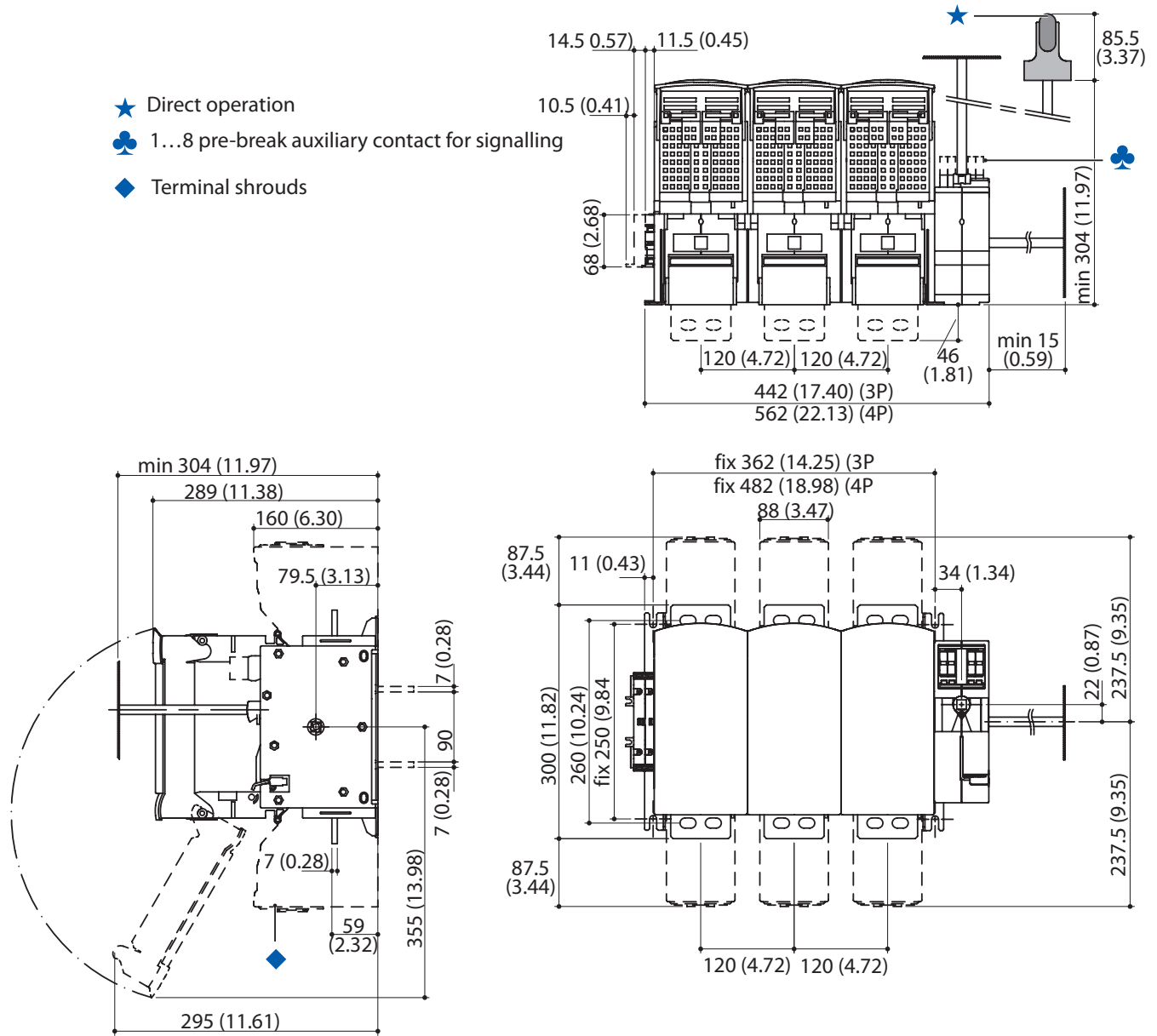


Figure 17 - Cat. No. 194R-B1250-1753, 194R-D1250-1753, Frame Size F18 IEC Fused Disconnect Switches



Operating Handles

Figure 18 - Cat. Nos. 194R-P.../140U-P...

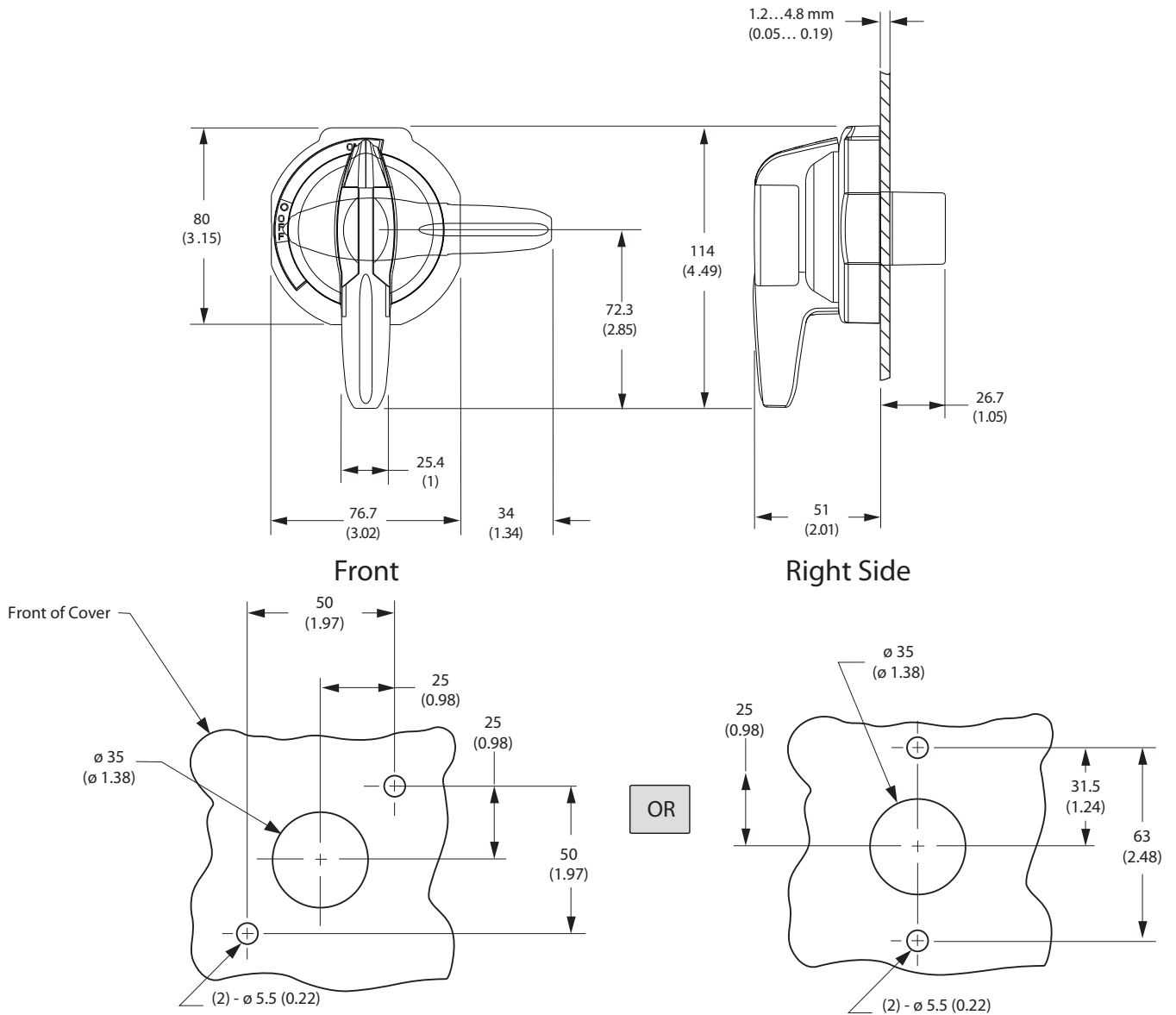


Figure 19 - Cat. No. 194R-HM4, -HM4E

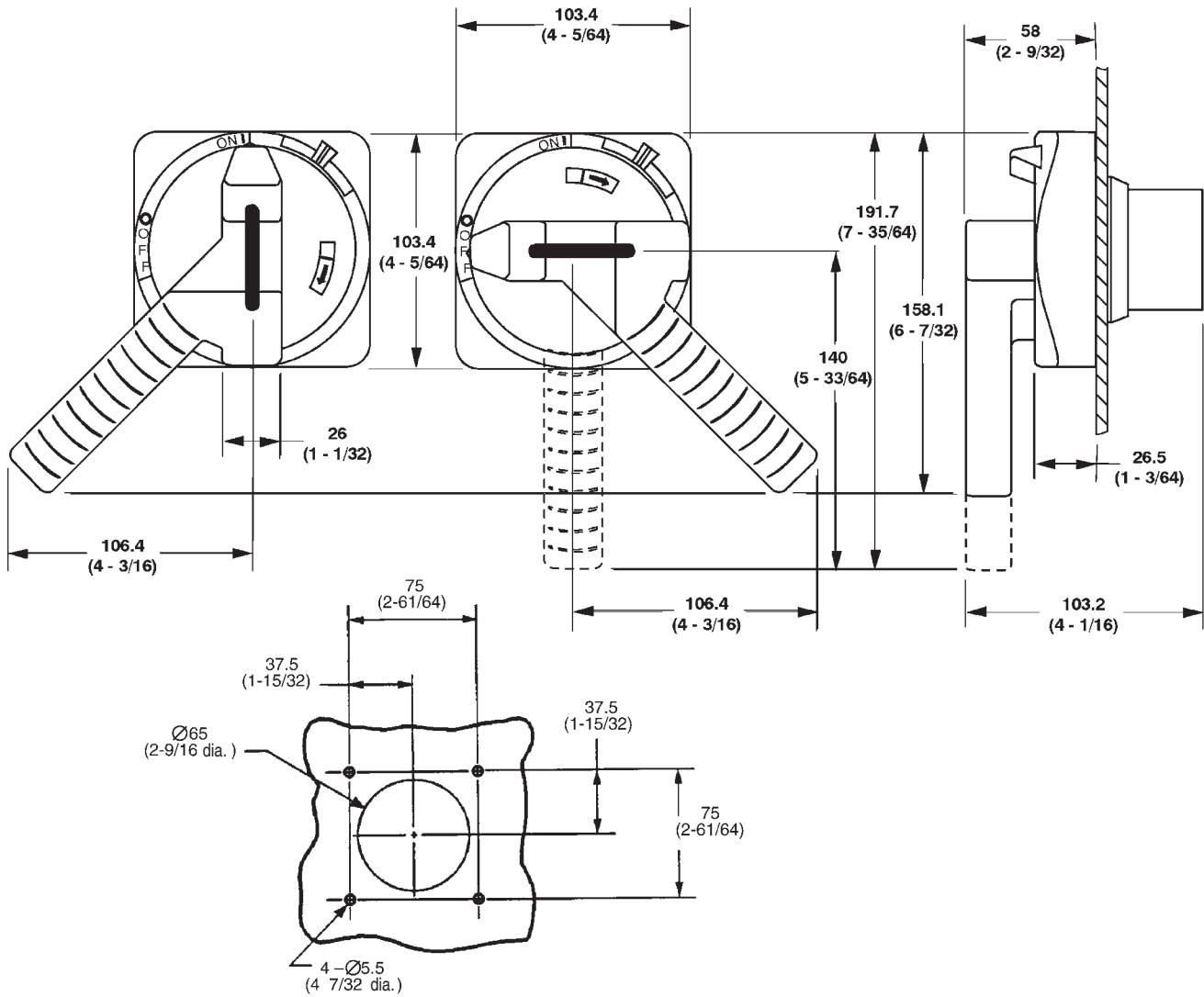


Figure 20 - Cat. No. 194R-HM4-L, -HM4E-L, -HM4-N2-L, -HM4E-N2-L

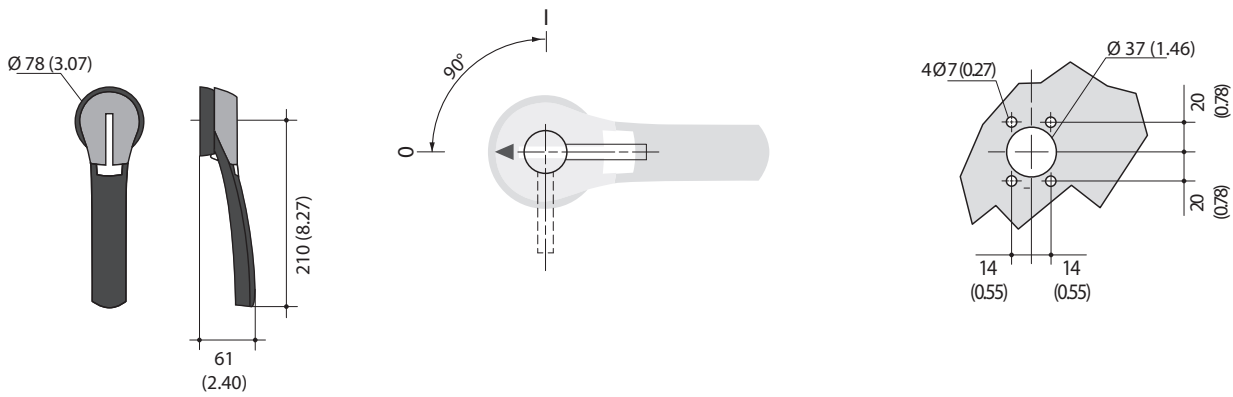
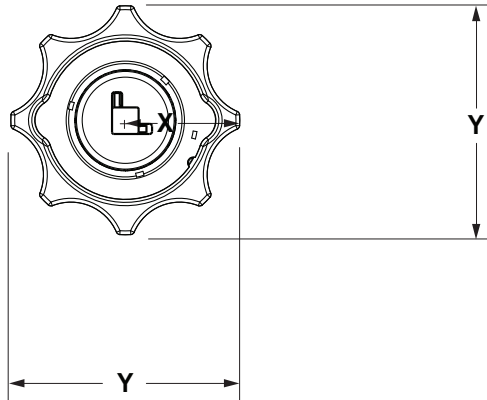
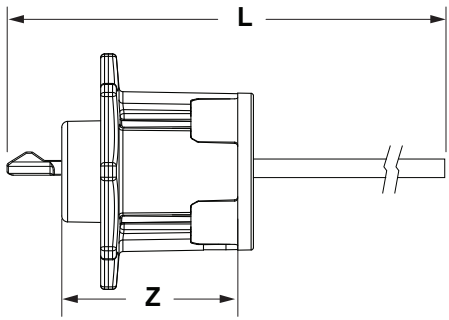
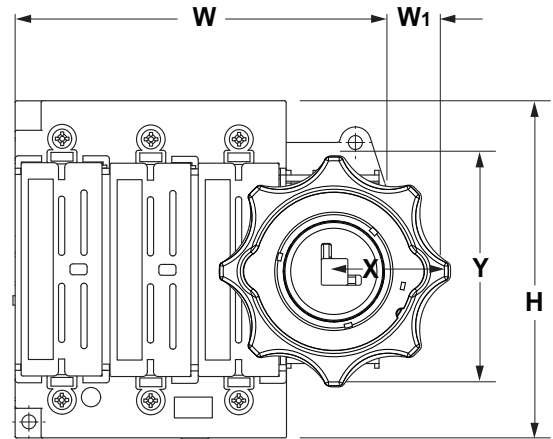
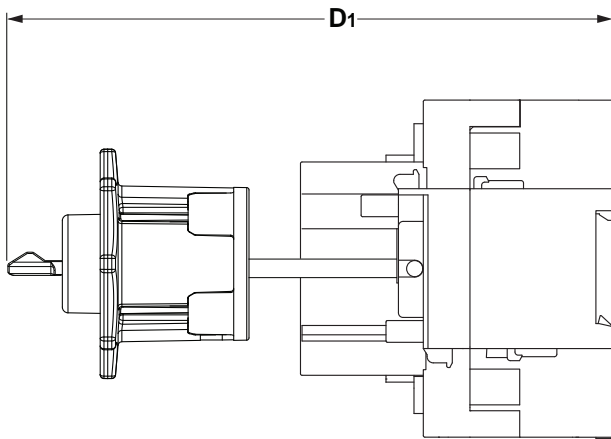


Figure 21 - NFPA 79 Internal Handle with Shaft



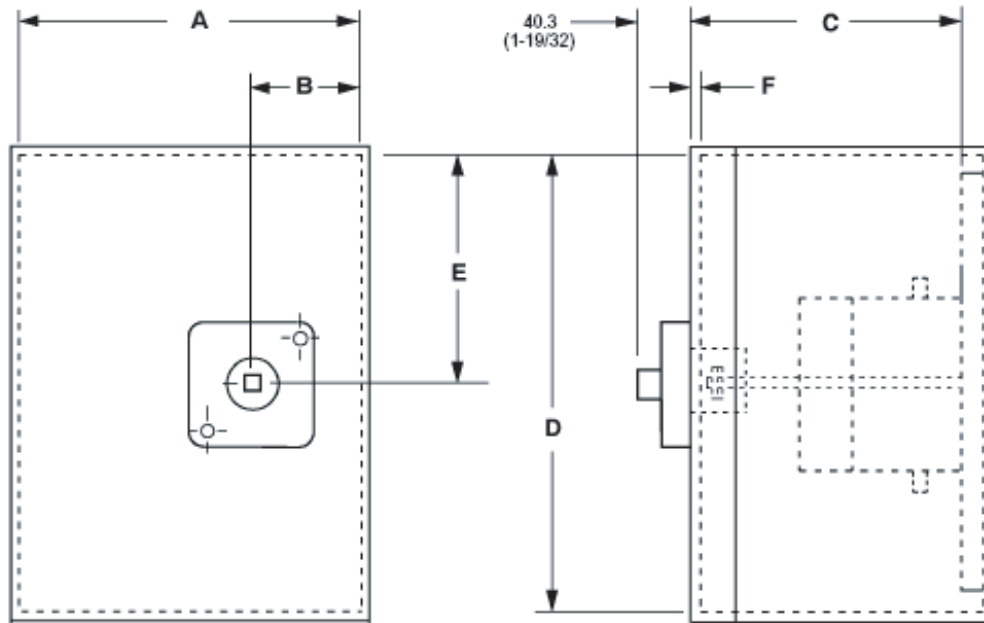
Catalog No.		L (max)	X	Y	Z
194R -N1	mm (in.)	305 (12)	38 (1-1/2)	76 (3)	57 (2-1/4)
194R -N2	mm (in.)	533 (21)	38 (1-1/2)	76 (3)	57 (2-1/4)



Catalog No.	Dim. Ref.	H	W	W ₁	D ₁ (min)	X	Y	
194R-B20- ^a 194R-B32- ^a 194R-C30- ^a	A1	mm (in.)	108 (4-1/4)	120 (4-3/4)	19 (3/4)	184 (7-1/4)	38 (1-1/2)	76 (3)
194R-F25- ^a 194R-F32- ^a 194R-J30- ^a	A2	mm (in.)	108 (4-1/4)	120 (4-3/4)	19 (3/4)	160 (6-5/16)	38 (1-1/2)	76 (3)
194R-B63- ^a 194R-D32- ^a 194R-D63- ^a 194R-F63- ^a	B1	mm (in.)	113 (4-29/64)	142 (5-19/32)	19 (3/4)	196 (7-49/64)	38 (1-1/2)	76 (3)
194R-H30- ^a 194R-H60- ^a 194R-J60- ^a	B2	mm (in.)	113 (4-29/64)	142 (5-19/32)	19 (3/4)	176 (6-59/64)	38 (1-1/2)	76 (3)

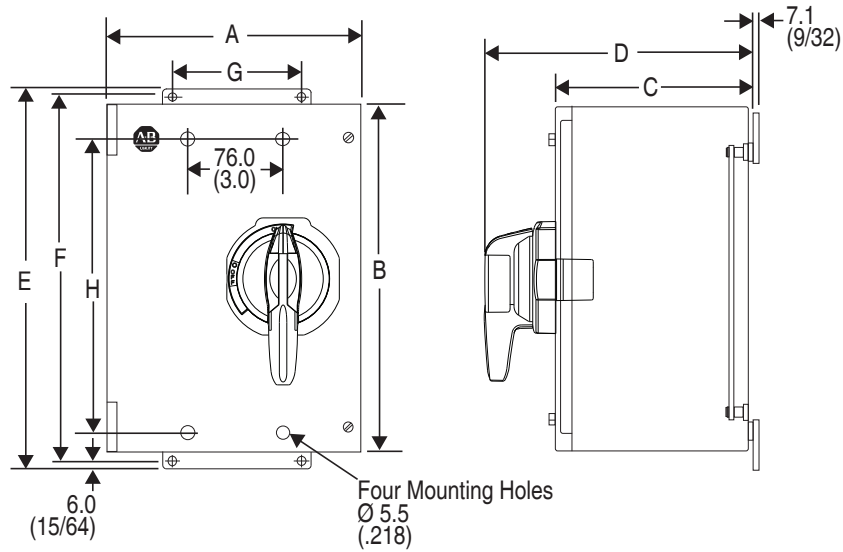
Enclosures

Figure 22 - Disconnect Switch Dimension References: A1, A2, B1, B2 (30 A and 60 A) Enclosure and Operating Handle



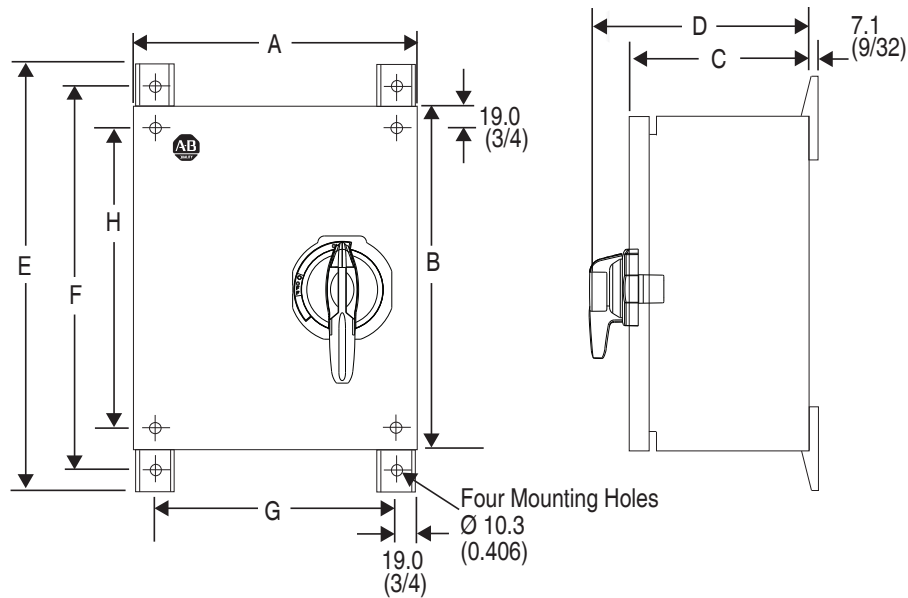
Cat. No.	Dimension Reference	A	B	C		D	E	F	
		Maximum	Minimum	Minimum	Maximum	Minimum	Minimum	Minimum	Maximum
194R-B20-1753	A1	171 (6-3/4)	45 (1-49/64)	147.6 (5-13/16)	454 (17-7/8)	248 (9-3/4)	89 (3-1/2)	1.4 (1/16)	4/78 (3/16)
194R-B32-1753									
194R-C30-1753									
194R-F32-1753									
194R-J30-1753									
194R-N30-1753	A2	171 (6-3/4)	45 (1-49/64)	111 (4-3/8)	454 (17-7/8)	248 (9-3/4)	89 (3-1/2)	1.4 (1/16)	4/78 (3/16)
194R-B63-1753	B1	197 (7-3/4)	45 (1-49/64)	147.6 (5-13/16)	454 (17-7/8)	248 (9-3/4)	105 (4-9/64)	1.4 (1/16)	4/78 (3/16)
194R-D32-1753									
194R-D63-1753									
194R-F63-1753									
194R-H30-1753									
194R-H60-1753									
194R-J60-1753									
194R-N60-1753	B2	197 (7-3/4)	45 (1-49/64)	111 (4-3/8)	454 (17-7/8)	248 (9-3/4)	105 (4-9/64)	1.4 (1/16)	4/78 (3/16)

Figure 23 - IP66 (Type 3/4/12) Watertight, Dusttight Sheet Metal Enclosure



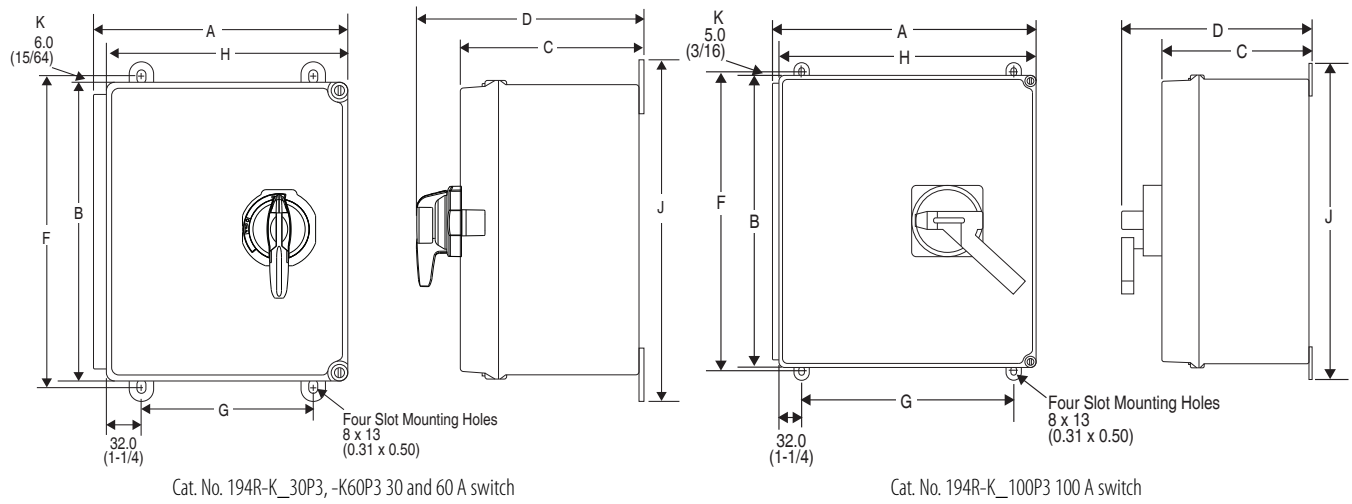
Rated Current [A]	Fuse Type	Dimension Reference	A	B	C	D	E	F	G	H
30	Non-fused & Fused	A1, A2	200 (7-7/8)	300 (11-13/16)	160 (6-19/64)	211 (8-19/64)	325 (12-51/64)	313 (12-21/64)	105 (4-1/8)	236 (9-9/32)
60	Non-fused & Fused	B1, B2	200 (7-7/8)	300 (11-13/16)	160 (6-19/64)	211 (8-19/64)	325 (12-51/64)	313 (12-21/64)	105 (4-1/8)	236 (9-9/32)

Figure 24 - Type 4/4X Watertight, Corrosion-resistant Stainless Steel Enclosure



Rated Current [A]	Type	Dimension Reference	A	A1	B	C	D	E	F	G
30	Non-fused	A1	159 (6-1/4)	170 (6-11/16)	240 (9-7/16)	123 (4-27/32)	174 (6-55/64)	254 (10)	273 (10-3/4)	83 (3-1/4)
	Fused	A2	214 (8-7/16)	225 (8-7/8)	265 (10-7/16)	125 (4-29/32)	176 (6-59/64)	279 (11)	298 (11-23/32)	83 (3-1/4)
60	Non-fused & Fused	B1, B2	214 (8-7/16)	225 (8-7/8)	265 (10-7/16)	125 (4-29/32)	176 (6-59/64)	279 (11)	298 (11-23/32)	83 (3-1/4)

Figure 25 - IP66 (Type 3/4/4X/12) Corrosion-Resistant, Non-Metallic Enclosure



Rated Current [A]	A	B	C	D	F	G	J	K
30/60	226 (8-59/64)	267 (10-1/2)	163 (6-27/64)	202 (7-61/64)	278 (10-61/64)	152 (6)	305 (12)	6 (15/64)
100								

Bulletin 194R-FC and 194R-LFC NFPA 79 Compliant IEC Cable-Operated Mechanism for Flange-Style Enclosures



Standards Compliance and Certifications

Standards Compliance
IEC 60947-4-1/EN60947-3
BS EN60947-3
VDE 0660
CSA 22.2 No. 4
NEMA KS-1
UL 98

Certifications
CE Marked
CSA Certified (File No. LR1234)
UL Listed (File No. E 47426, Guide WHTY)
ASTA Certified
LOVAG Certified

Product Overview

The Bulletin 194R-FC and 194R-LFC cable-operated mechanism with interlock provide a fully compliant solution to the 2002 changes in the National Fire Protection Association 79 (NFPA 79).

The 194R-FC cable-operated mechanism combines the small size of the 194R IEC rotary disconnect switch with the flexibility of a cable-operated mechanism to provide an NFPA 79 IEC solution for flange-style enclosures. The 194R-FC bracketed mechanism for 194R 30 and 60 A devices attaches to the 194R disconnect switch base and operates the ON-OFF action via cable to a standard 1494F handle. The 194R-LFC mechanism attaches to the side of the 194R-J100-1753 and 194R-J200-1753 disconnect switch and operates the ON-OFF action via cable to a standard 1494F handle.

The handle/interlock mechanism provides the 'no-tools' operation and the secondary interlock as required by NFPA 79 2002. The cable-operated mechanism is offered in 3...10 ft cable lengths, allowing a variety of placement options for the 194R disconnect switch within the enclosure. The handle (ordered separately) is available in 3 different styles: plastic, stainless steel, or painted metal.

Features

- Cable-operated mechanism with interlock
- 194R-FC is compatible with all Bulletin 194R 30 and 60 A fused and non-fused disconnect switches (sold separately)
- 194R-LFC is compatible with all Bulletin 194R-J100-1753 and 194J200-1753 disconnect switches (sold separately)
- Uses Bulletin 1494U handles (sold separately)
 - IP66 (Type 3R, 3, 12, 4, 4X)
- Padlockable handle mounts to flange-styled enclosures
- Cable options available in 3...10 ft. lengths
- NFPA 2002 Compliant

Product Selection

For product selection information, please see [page 15](#).

Approximate Dimensions

Dimensions are in millimeters (inches). Dimensions are not intended to be used for manufacturing purposes.

Figure 26 - 194R-FC Cable-Operated Handle

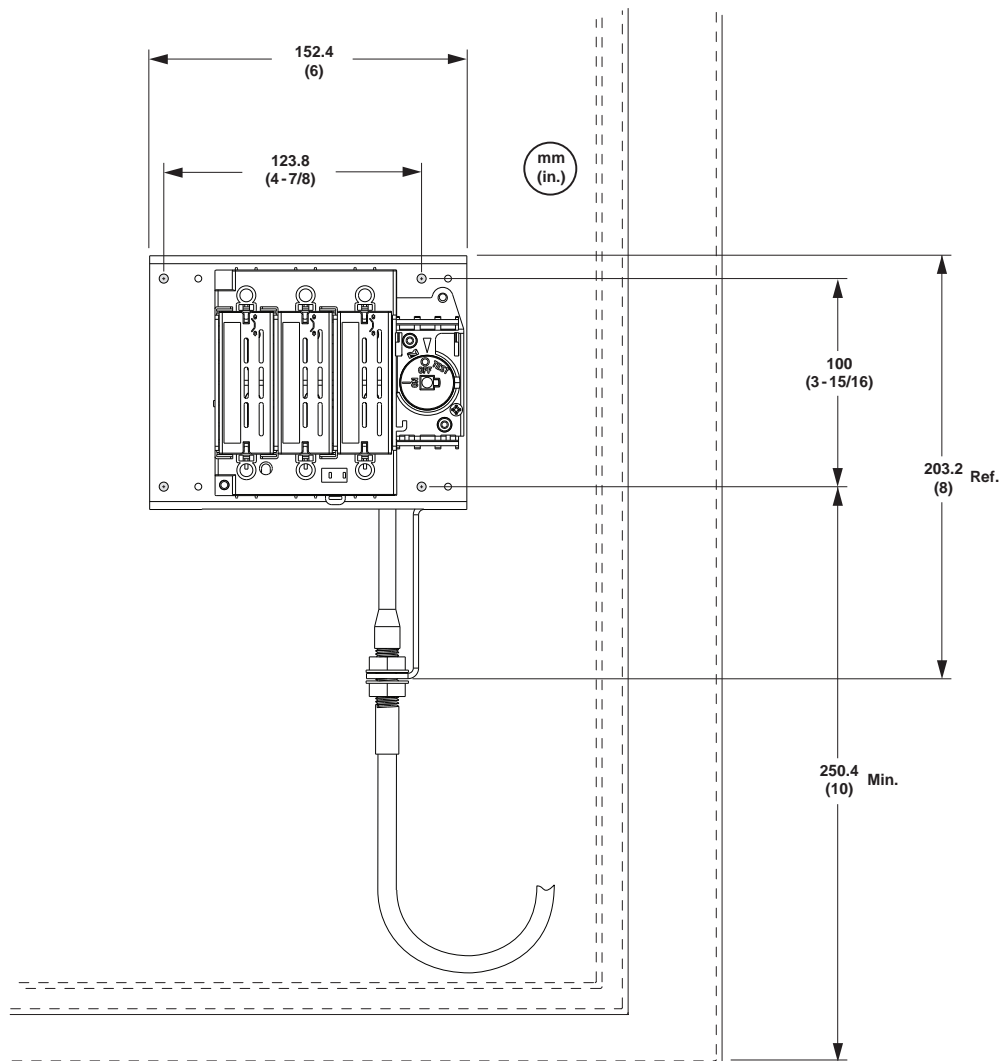
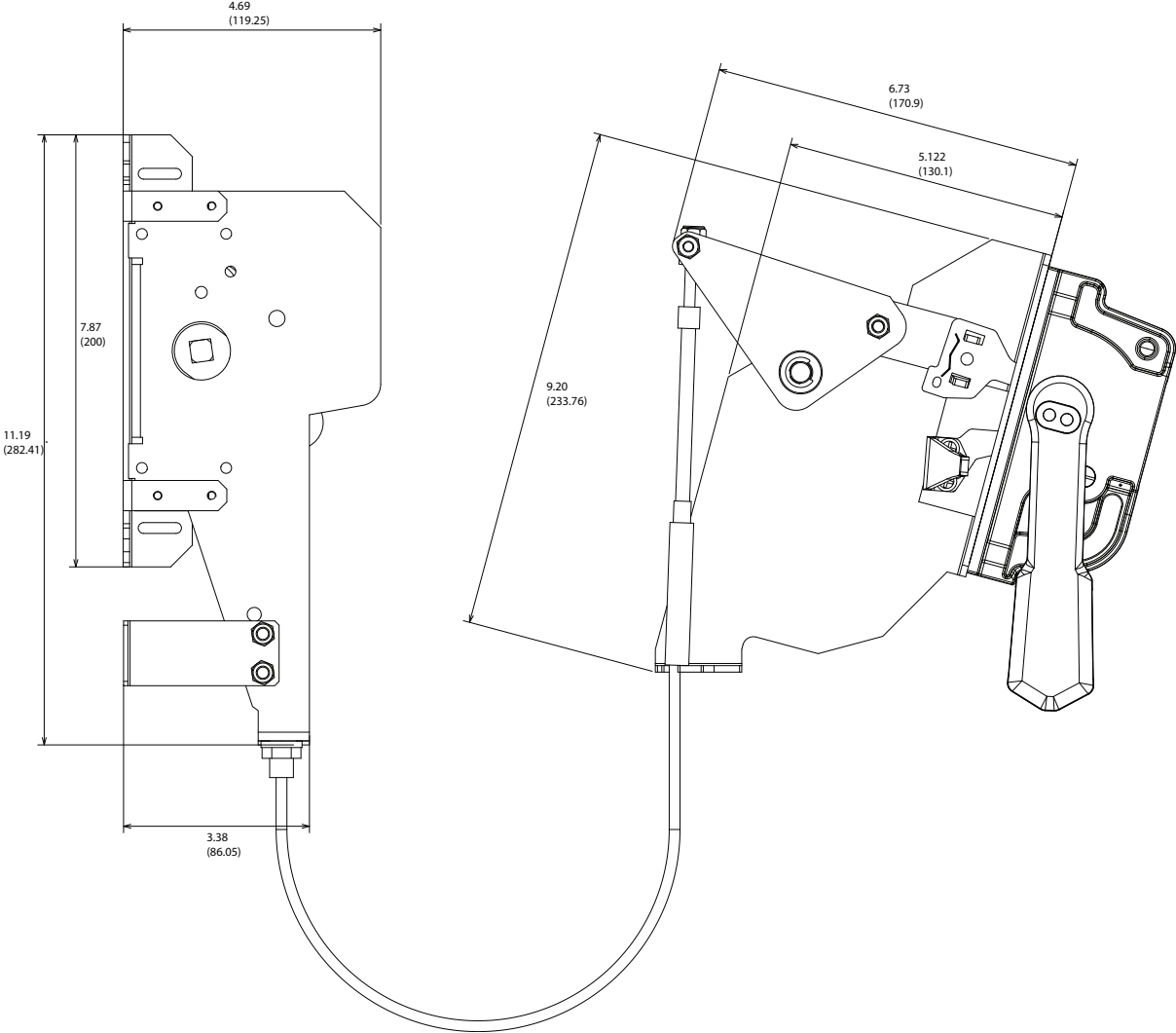
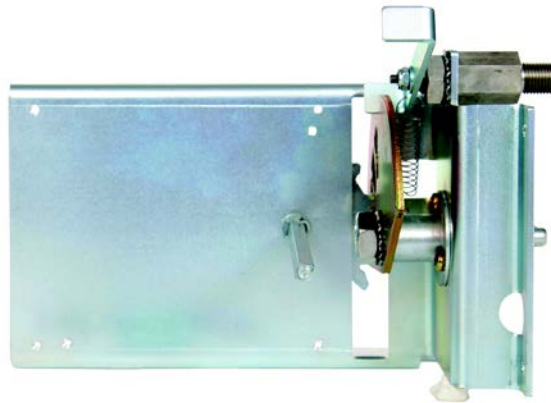


Figure 27 - 194R-LFC Cable-Operated Handle



Cat. No. 194R-SDK2 NFPA 79 Compliant IEC Fused and Non-Fused Disconnect Switches, Side-mounted Kit



Cat. No. 194R-SDK2 Side-mounted Disconnect Switch Kit for all Bul. 194R 30 and 60 A Next Generation switches and Cat. No. 194R-P... handles

Standards Compliance and Certifications

Standards Compliance for Disconnect Switch	Standards Compliance for Kit: Side-mounted Handle Mechanism with Disconnect Switch
IEC 60947-4-1/EN60947-3	UL 98
BS EN60947-3	CSA 22.2 No. 4
VDE 0660	
CSA 22.2 No. 4	
NEMA KS-1	
UL 489	
Certifications	Certifications for Kit: Side-mounted Handle Mechanism with Disconnect Switch
UL Listed (File No. E119349, Guide WJAZ)	UL Listed (File No. E 47426, Guide WHTY)
CSA Certified (File No. LR1234)	CSA Certified (File No. LR1234)
CE Marked	

Product Overview

The Cat. No. 194R-SDK2 side-mounted handle provides NFPA 79 compliance with a bracketed switch and interlock system. The 194R-P rotary handle is mounted to the side of the enclosure and attaches to the 194R disconnect switch and interlock mechanism. The side handle remains connected to the switch and interlock mechanism at all times. This solution provides the single, side handle design with the NFPA 79 compliance of the secondary interlock. This kit is used with the 194R-P family of disconnect switch handles (sold separately).

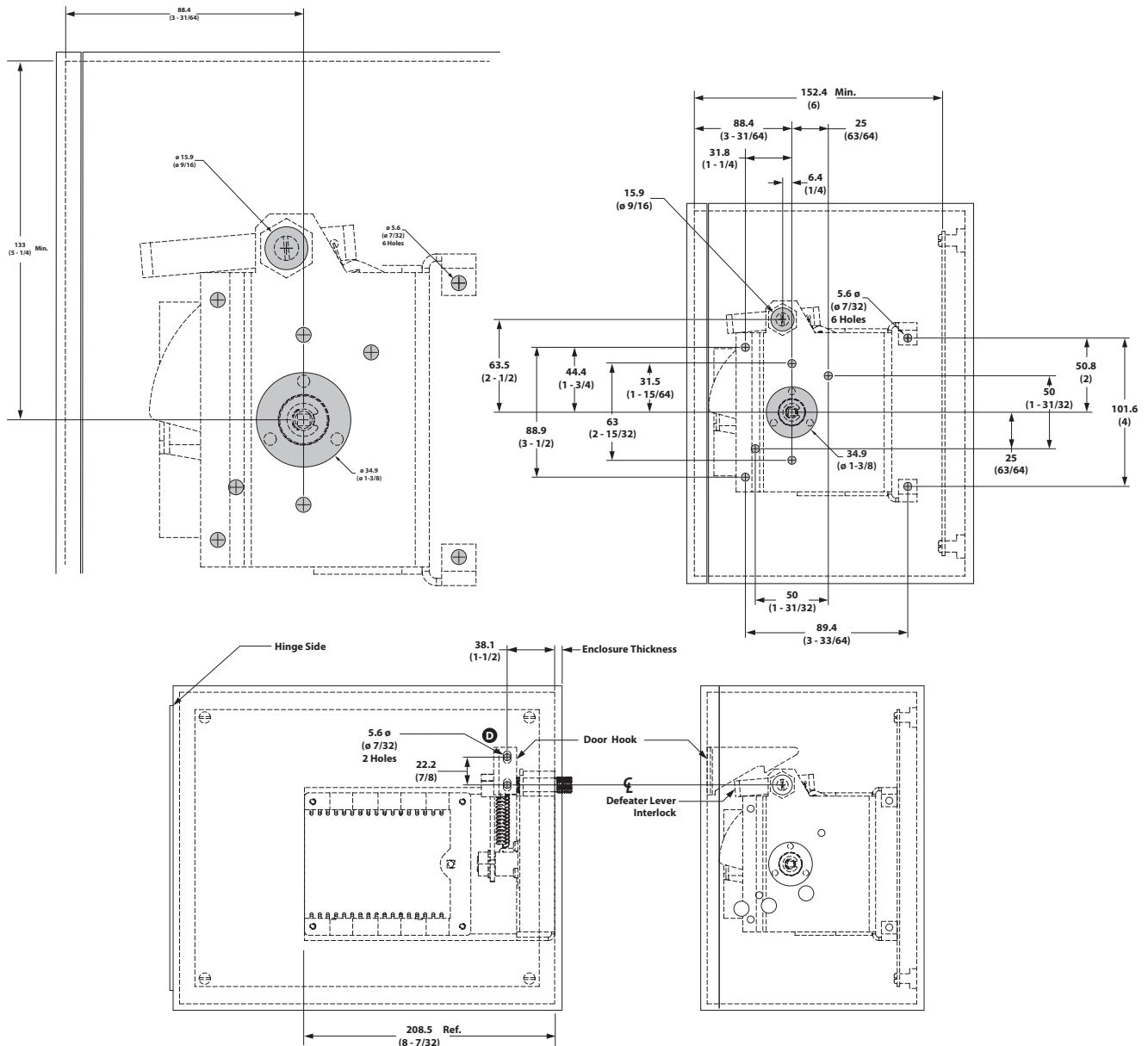
- Used with all 30/60 A fused and non-fused disconnect switches and Bulletin 194R-P handles (both sold separately)
- Open switches
- Operating handle ingress ratings:
 - IP66 (Type 3R, 3, 12, 4, 4X)
- Padlockable handle

Product Selection

Description	For Use With	Cat. No.
Side-mounted kit (disconnect switch mechanism and bracket)	All Bul. 194R 30/60 A disconnect switches and Bul. 194R-P handles	194R-SDK2

Approximate Dimensions

Dimensions in millimeters (inches). Dimensions are not intended to be used for manufacturing purposes.



Notes:

Proper Selection of Disconnect Switches

Applications Within Canada and the United States

General

The requirements for disconnect switches used in motor branch circuits rated 600V and less are defined in Article 430, Part J of the U.S. National Electrical Code (NEC), NFPA70. Canadian Electrical Code (CEC) requirements are very similar in the area of motor branch circuit disconnect requirements. For simplicity, we will treat the NEC and CEC requirements as being the same — and reference specific sections of the U.S. National Electrical Code.

The requirements for properly sizing a disconnect switch are dependent on the type of application. The NEC refers to two types of applications: single motor and combination loads. A combination load consists of an application where two or more motors are used together or where one or more motors are used in combination with other loads, such as resistance heaters.

Single Motor Applications

Section 430-110 Paragraph (a) states that the disconnect switch must have an ampere rating of at least 115% of the full-load current rating of the motor.

Example 1: For a motor with a full-load current of 22 A, the disconnect switch must be rated at least 25.3 A (22×1.15). If the disconnecting means under evaluation is rated in horsepower, the selection of the disconnect switch is even more straightforward; a disconnect switch must have a horsepower rating equal to, or greater than the horsepower rating of the motor at the applicable voltage.

Example 2: For a motor with a 10 Hp rating at 460V AC, the disconnect switch must be rated at least 10 Hp at 460V AC. If the disconnect switch is rated in horsepower, and UL Listed, UL Component Recognized, or CSA Certified, it will meet the requirements for the 115% full load current rating stipulated by the NEC.

Combination Load Applications

Section 430-110 Paragraph (c) addresses the rating of the disconnecting means for combination loads. This paragraph essentially requires that the loads that “may be simultaneous on a single disconnecting means” be combined to provide equivalent full-load and locked-rotor currents for what is then to be considered as a single motor for the purpose of selecting the appropriate disconnecting means. This means that it is necessary to identify the particular combination of connected loads which can be operating simultaneously and will result in the maximum full-load and locked-rotor current sums.

The individual full-load current values are to be selected from Tables 430-148, 430-149, or 430-150 and the locked-rotor values are to be from Table 430-151.

The equivalent single motor full-load current is the sum of the simultaneously operating motor full-load currents and the rating in amperes of other loads operating at the same time. The equivalent locked-rotor current is the sum of the simultaneously started motors’ locked-rotor currents and the full-load currents of the remaining operating motor and non-motor loads.

The disconnecting means shall have a current rating equal to or greater than 115% of the equivalent single motor full-load current and have a horsepower rating equal to or greater than the horsepower rating determined from the equivalent locked-rotor summation.

Consider the following 460V application:

Load	Hp	Full-Load Current [A]
Motor 1	5	7.6 (simultaneous)
Motor 2	10	14.0 (not included)
Motor 3	15	21.0 (simultaneous)
Motor 4	20	27.0 (simultaneous)
Other		7.0 (simultaneous)
Total Equivalent		62.6 (simultaneous)

Motor 2 is not included in the total since it cannot operate simultaneously with the other motors; therefore, the disconnect switch must be rated at least 72 A (1.15×62.6).

Consider now the locked-rotor current analysis for the same application:

Load	Hp	Full-Load Current [A]
Motor 1	5	(7.6FLA) 45.6 (simultaneous)
Motor 2	10	84.0 (not included)
Motor 3	15	126.0 (simultaneous)‡
Motor 4	20	162.0 (simultaneous)‡
Other		7.0 (simultaneous)
Total Equivalent		302.6 (simultaneous)

Note again that Motor 2 cannot operate simultaneously with the other loads.

‡ The largest equivalent locked-rotor current occurs when motors 3 and 4 start together while the other loads marked “simultaneous” are already operating. Since Motor 1 is not starting with Motors 3 and 4, its full-load current will be added to the total instead of its locked-rotor current.

Table 430-151, which provides the correlation between locked-rotor currents and Hp ratings, shows that a 40 Hp rating is the equivalent for 302.6 locked-rotor amperes.

Therefore, the disconnect selected for this application must have a current rating of at least 72 A and a Hp rating of at least 40 Hp. In this case a Bulletin 194R rated for 100 A and 60 Hp at 460V would be an appropriate choice. What can be seen from this analysis is that, depending upon the number of motors that can start simultaneously, the actual size of the required disconnect is sometimes determined by the equivalent full load current (72 A) and other times by the equivalent horsepower determined from the locked rotor analysis (40 Hp).

Applications Outside the United States and Canada

General

Disconnect switches designed to IEC Standards and used in applications outside of North America are selected based on the ampere, horsepower, or kilowatt rating of the disconnect switch, under various utilization categories. Utilization categories for disconnect switches are as follows:

Nature of Current	Utilization Category		Typical Applications
	Frequent Operation	Infrequent Operation	
AC	AC-20A ⁽¹⁾	AC-20B	Connecting and disconnecting under no load conditions
	AC-21A	AC-21B	Switching of resistive loads including moderate overloads
	AC-22A	AC-22B	Switching of mixed resistive and inductive loads, including moderate overloads
	AC-23A	AC-23B	Switching of motor loads or other highly inductive loads

(1) The use of these utilization categories is not permitted in the U.S.

For any application, the disconnect switch rating (A, Hp, or kW) must be greater than or equal to the application full-load current or power (Hp or kW), in the appropriate utilization category.

Example 1: For a 380V 50 Hz distribution application (AC-22A), with a 63 A full load current, the disconnect switch must be rated at least 63 A at 380V 50 Hz for use in AC-22A applications.

Example 2: For a 415V 50 Hz motor application (AC-23A), with a 75 kW rating, the disconnect switch must be rated at least 75 kW at 415V 50 Hz for use in AC-23A applications.

Fuse Description

With Bulletin 194R Fused Disconnect Switches

Bulletin 194R Fused Disconnect Switches have been designed to accept a variety of fuses for worldwide application flexibility.

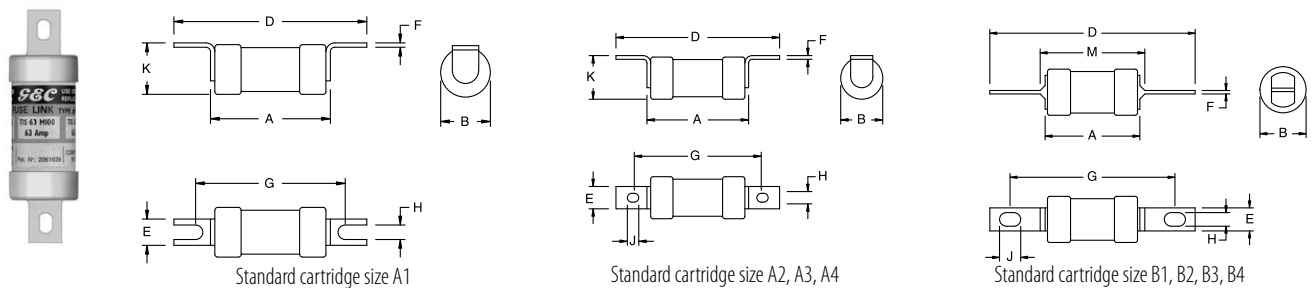
Following is a brief summary of typical fuse specifications, where the fuses are typically used, and which Bulletin 194R disconnect switches will accommodate each fuse type. Fuse manufacturers should be contacted for more specific information about each fuse type. Fuses are not available from Rockwell Automation.

BS88 Fuses (63 A shown)

- IEC fuse type: Fuse-link for bolted connection
- Voltage rating: 660/690V AC
- Interrupting rating: 80 kA
- Standard cartridge sizes: A1, A2, A3, A4, B1, B2, B3, B4
- Typical ampere ratings: 2...400 A
- Construction: Blade type for bolted connection
- Can be installed on Bulletin 194R disconnect switch
 - Cat. Nos: 194RNA100P3, NA200P3, NA300P3, NA380P3, NA400P3, NB200P3, NB300P3
- Where used: United Kingdom, Australia, New Zealand, Asia

Figure 28 - BS88 Fuse Dimensions

Dimensions in millimeters (inches). Dimensions are not intended to be used for manufacturing purposes.



Dim. Ref	Current Range [A]	A	B	D	E	F	G	H	K
A1	2...20	36.50 (1-7/16)	13.90 (35/64)	55.60 (2-3/16)	11.10 (7/16)	0.80 (1/32)	4.50 (1-3/4)	4.40 (11/64)	14.30 (9/16)

Dim. Ref	Current Range [A]	A	B	D	E	F	G	H	J	K
A2	2...20	56.40 (2-7/32)	23.80 (15/16)	85.80 (3-3/8)	8.70 (11/32)	1.20 (3/64)	73.00 (2-7/8)	5.20 (13/64)	7.10 (9/32)	23.80 (15/16)
A3	35...63	56.40 (2-7/32)	23.80 (15/16)	85.80 (3-3/8)	8.70 (11/32)	1.20 (3/64)	73.00 (2-7/8)	5.20 (13/64)	7.10 (9/32)	23.80 (15/16)
A4	80...100	70.00 (2-3/4)	34.90 (1-3/8)	111.00 (4-3/8)	19.10 (3/4)	2.40 (3/32)	93.70 (3-11/32)	8.70 (11/32)	10.30 (13/32)	34.90 (1-3/8)

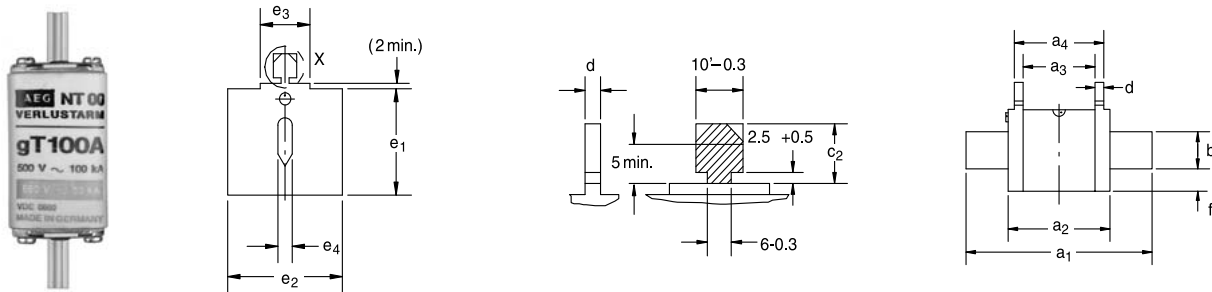
Dim. Ref	Current Range [A]	A	B	D	E	F	G	H	J	M
B1	2...20	70.00 (2-3/4)	34.90 (1-3/8)	136.50 (5-3/8)	19.10 (3/4)	3.20 (1/8)	111.00 (4-3/8)	8.70 (11/32)	11.90 (15/32)	79.40 (3-1/8)
B2	125...200	77.00 (3-1/32)	41.30 (1-5/8)	136.50 (5-3/8)	19.10 (3/4)	3.20 (1/8)	111.00 (4-3/8)	8.70 (11/32)	11.90 (15/32)	79.40 (3-1/8)
B3	250...315	83.00 (3-9/32)	54.00 (2-1/8)	136.50 (5-3/8)	25.40 (1)	3.20 (1/8)	111.00 (4-3/8)	8.70 (11/32)	11.90 (15/32)	82.00 (3-1/4)
B4	355...400	70.00 (2-3/4)	61.10 (2-13/32)	136.50 (5-3/8)	25.40 (1)	6.30 (1/4)	111.00 (4-3/8)	8.70 (11/32)	11.90 (15/32)	85.80 (3-3/8)

DIN Fuses (100 A shown)

- IEC fuse type: Fuse-link with blade contacts
- Voltage rating: 660/690V AC
- Interrupting rating: 120,000 A
- Standard cartridge sizes: 00, 0, 1 and 2
- Typical ampere ratings: 2...400 A
- Construction: Blade type
- Can be installed on Bulletin 194R disconnect switch
 - Cat. Nos: 194RND072P3, ND138P3, ND250P3, ND300P3
- Where used: Europe, South America, Middle East and India

Figure 29 - DIN Fuse Dimensions

Dimensions in millimeters (inches). Dimensions are not intended to be used for manufacturing purposes.



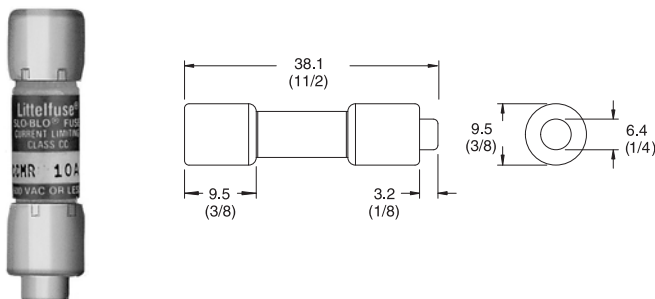
Size	Max. Rated Current [A]	a ₁	a ₂	a ₃	a ₄	b (min.)	d	e ₁ (max.)	e ₂	e ₃	e ₄ ±0.2	f
00	100	78.5 ± 1.5	53	45 ± 1.5	49 ± 1.5	15	2 ± 0.5	48	30	20 ± 5	6	12.5
0	160	125 ± 2.5	67	62 +3 -1.5	68 ± 1.5 -3	15	2 +1.5 -0.5	48	40	20 ± 5	6	11.5
1	250	135 ± 2.5	71	62 ± 2.5	68 ± 2.5	20	2.5 +1.5 -0.5	53	52	20 +5 -2	6	10
2	400	150 ± 2.5	72	62 ± 2.5	68 ± 2.5	25	2.5 +1.5 -0.5	61	60	20 +5 -2	6	10

CSA HRCI and UL Class Fuses (10 A shown)

- UL fuse type: Class CC
- CSA fuse type: HRCI-MISC
- Voltage rating: 600V AC
- Interrupting rating: 200 000 A
- Standard cartridge sizes: 30 A
- Typical ampere ratings: 1...30 A
- Construction: Ferrule type
- Can be installed on Bulletin 194R disconnect switch
 - Cat. No: 194R-NC030P3
- Where used: North America

Figure 30 - CSA HRCI and UL Class Fuse Dimensions

Dimensions in millimeters (inches). Dimensions are not intended to be used for manufacturing purposes.



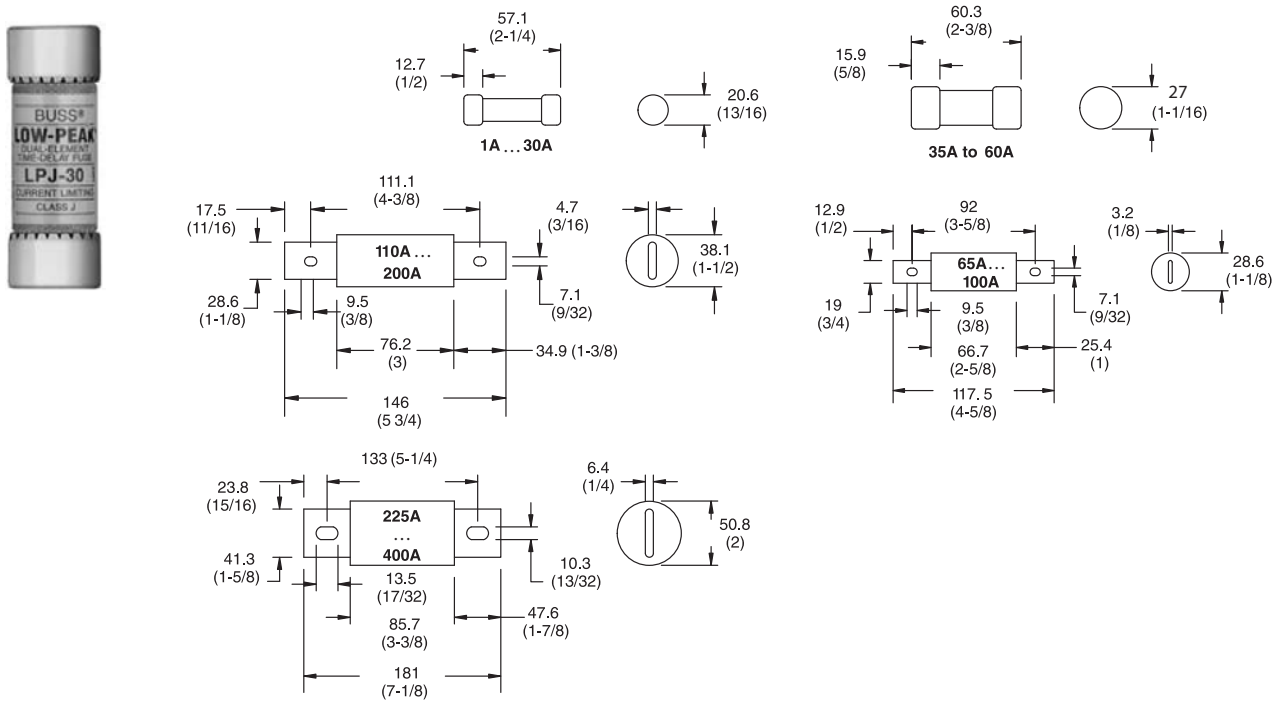
CSA HRCI and UL Class Fuses (30 A shown)

- CSA fuse type: HRCI-J
- UL fuse type: Class J
- Voltage rating: 600V AC
- Interrupting rating: 200 000 A

- Standard cartridge sizes: 30, 60, 100, 200, and 400 A
- Typical ampere ratings: 1...600 A; Blade type for bolted connection
- Can be installed on Bulletin 194R disconnect switch
 - Cat. Nos: 194R-NJ030P3, NJ060P3, NJ100P3, NJ200P3, NJ400P3
- Where used: North America

Figure 31 - CSA HRCI and UL Class Fuse Dimensions (30 A)

Dimensions in millimeters (inches). Dimensions are not intended to be used for manufacturing purposes.

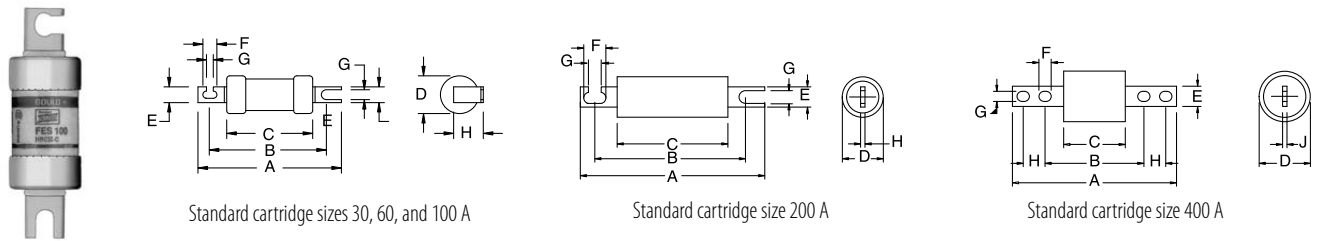


CSA HRCII Fuses (100 A shown)

- CSA fuse type: HRCII-C
- Voltage rating: 600V AC
- Interrupting rating: 200 000 A
- Standard cartridge sizes: 30, 60, 100, 200, and 400 A
- Typical ampere ratings: 1...400 A
- Construction: Blade type for bolted connection
- Can be installed on Bulletin 194R disconnect switch
 - Cat. Nos: 194R-NA200P3, NA300P3, NH100P3, NH200P3, NH400P3
- Where used: Canada

Figure 32 - CSA HRCII Fuse Dimensions

Dimensions in millimeters (inches). Dimensions are not intended to be used for manufacturing purposes.



Current Range [A]	A	B	C	D	E	F	G	H	J
0...30	84.14 (3-5/16)	71.04 (2-51/64)	50.8 (2)	20.64 (13/16)	8.73 (11/32)	7.54 (19/64)	5.56 (7/32)	23.81 (15/16)	1.59 (1/16)
31...60	88.9 (3-1/2)	71.04 (2-51/64)	50.8 (2)	20.64 (13/16)	12.7 (1/2)	7.54 (19/64)	5.56 (7/32)	26.99 (1-1/16)	1.59 (1/16)
61...100	109.54 (4-5/16)	92.47 (3-41/64)	60.72 (2-25/64)	34.13 (1-11/32)	19.05 (3/4)	11.91 (15/32)	8.73 (11/32)	34.93 (1-3/8)	2.38 (3/32)
101...200	134.94 (5-5/16)	109.14 (4-19/64)	76.2 (3)	38.1 (1-1/2)	19.05 (3/4)	11.91 (15/32)	8.73 (11/32)	3.18 (1/8)	—
201...400	207.96 (8-3/16)	133.35 (5-1/4)	76.2 (3)	60.33 (2-3/8)	25.4 (1)	12.7 (1/2)	9.53 (3/8)	25.4 (1)	4.76 (3/16)
401...600	207.96 (8-3/16)	133.35 (5-1/4)	76.2 (3)	76.2 (3)	25.4 (1)	15.08 (19/32)	10.32 (13/32)	25.4 (1)	9.53 (3/8)

Rockwell Automation Support

Use the following resources to access support information.

Technical Support Center	Knowledgebase Articles, How-to Videos, FAQs, Chat, User Forums, and Product Notification Updates.	www.rockwellautomation.com/knowledgebase
Local Technical Support Phone Numbers	Locate the phone number for your country.	www.rockwellautomation.com/global/support/get-support-now.page
Direct Dial Codes	Find the Direct Dial Code for your product. Use the code to route your call directly to a technical support engineer.	www.rockwellautomation.com/global/support/direct-dial.page
Literature Library	Installation Instructions, Manuals, Brochures, and Technical Data.	www.rockwellautomation.com/literature
Product Compatibility and Download Center (PCDC)	Get help determining how products interact, check features and capabilities, and find associated firmware.	www.rockwellautomation.com/global/support/pcdc.page

Documentation Feedback

Your comments will help us serve your documentation needs better. If you have any suggestions on how to improve this document, complete the How Are We Doing? form at http://literature.rockwellautomation.com/idc/groups/literature/documents/du/ra-du002_-en-e.pdf.

Rockwell Automation maintains current product environmental information on its website at <http://www.rockwellautomation.com/rockwellautomation/about-us/sustainability-ethics/product-environmental-compliance.page>.

Allen-Bradley, Rockwell Software, Rockwell Automation, and LISTEN. THINK. SOLVE are trademarks of Rockwell Automation, Inc. Trademarks not belonging to Rockwell Automation are property of their respective companies.

www.rockwellautomation.com

Power, Control and Information Solutions Headquarters

Americas: Rockwell Automation, 1201 South Second Street, Milwaukee, WI 53204-2496 USA, Tel: (1) 414.382.2000, Fax: (1) 414.382.4444

Europe/Middle East/Africa: Rockwell Automation NV, Pegasus Park, De Kleetlaan 12a, 1831 Diegem, Belgium, Tel: (32) 2 663 0600, Fax: (32) 2 663 0640

Asia Pacific: Rockwell Automation, Level 14, Core F, Cyberport 3, 100 Cyberport Road, Hong Kong, Tel: (852) 2887 4788, Fax: (852) 2508 1846

Publication 194R-SG003E-EN-P - February 2016

Supersedes Publication 194R-SG003D-EN-P - September 2014

Copyright © 2016 Rockwell Automation, Inc. All rights reserved. Printed in the U.S.A.