



Fourth Pole - Rotary Disconnect Switches / Installation Instruction

Vierter Pol - Trennschalter / Montageanleitung

Quatrième pôle - Interrupteurs sectionneurs rotatifs / Instruction de montage

Cuarto polo - Sezionatori rotativi / Istruzione per il montaggio

Quarta pole - Interruptores giratorios para desconexión / Instrucción de montaje

(Cat 194R-20-NB(S); 194R-25-NF(S); 194R-30-NC(S); 194R-30-NH(S); 194R-30-NJ(S); 194R-32-NB(S); 194R-32-ND(S); 194R-32-NF(S); 194R-30-NN; 194R-30B2-NN; 194R-60-NH(S); 194R-60-NJ(S); 194R-63-NB(S); 194R-63-ND(S); 194R-63-NF(S); 194R-60-NN)

- WARNING:** To prevent electrical shock, disconnect from power source before installing or servicing. Install in suitable enclosure. Keep free from contaminants.
- WARNUNG:** Vor Installations- oder Servicearbeiten Stromversorgung unterbrechen, um Unfälle zu vermeiden. Die Geräte müssen in einem passenden Gehäuse eingebaut und gegen Verschmutzung geschützt werden.
- AVERTISSEMENT:** Avant le montage et la mise en service, couper l'alimentation secteur afin d'éviter tout accident. Prévoir une mise en coffret ou armoire appropriée. Protéger le produit contre les environnements agressifs.
- AVVERTENZA:** Per prevenire infortuni, togliere tensione prima dell'installazione o manutenzione. Installare in custodia idonea. Tenere lontano da contaminanti.
- ADVERTENCIA:** Desconectar la alimentación eléctrica antes de realizar el montaje y la puesta en servicio, con el objeto de evitar accidentes. Instalado en una caja o armario apropiado. Proteger el producto de los ambientes agresivos.

- WARNING:** Do not insert fuse carriers into non-fused switches!
- WARNUNG:** Keine Sicherungshalter in sicherungslosen Schaltern verwenden!
- AVERTISSEMENT:** Ne pas utiliser de porte-fusible dans les interrupteurs sans fusibles!
- AVVERTENZA:** Non inserire porta-fusibili in sezionatori senza fusibili!
- ADVERTENCIA:** No insertar los fusibles en los interruptores-fusibles!

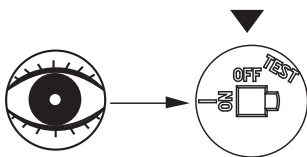
IEC/EN 60947-3
 IEC/EN 60947-5-1
 UL 60947-4-1
 UL 98

CAN/CSA-C22.2 No. 4
 CAN/CSA-C22.2 No. 14
 GB 14048.2

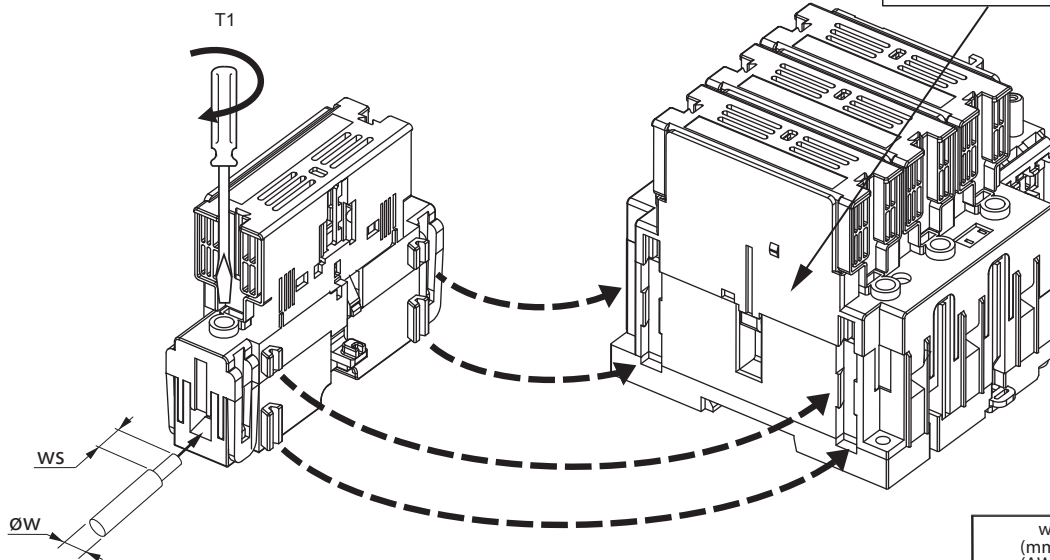
⚠ DANGER

Risk of electric shock. Disconnect must be in OFF position prior to installation of this device. Follow installation instruction

1



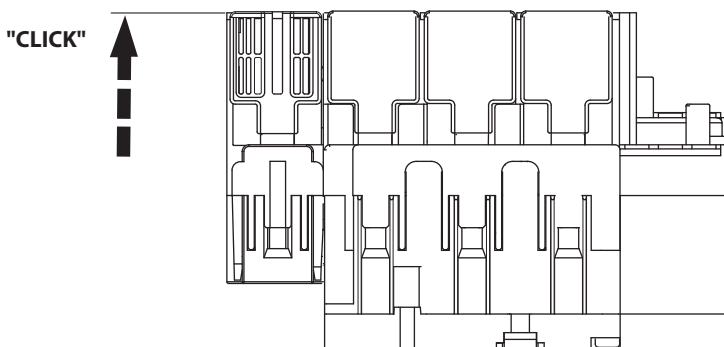
2



- 194R-B20-1753(S)
- 194R-F25-1753(S)
- 194R-C30-1753(S)
- 194R-J30-1753(S)
- 194R-B32-1753(S)
- 194R-F32-1753(S)
- 194R-N30-1753

- 194R-D32-1753(S)
- 194R-H30-1753(S)
- 194R-B63-1753(S)
- 194R-D63-1753(S)
- 194R-F63-1753(S)
- 194R-H60-1753(S)
- 194R-J60-1753(S)
- 194R-N60-1753

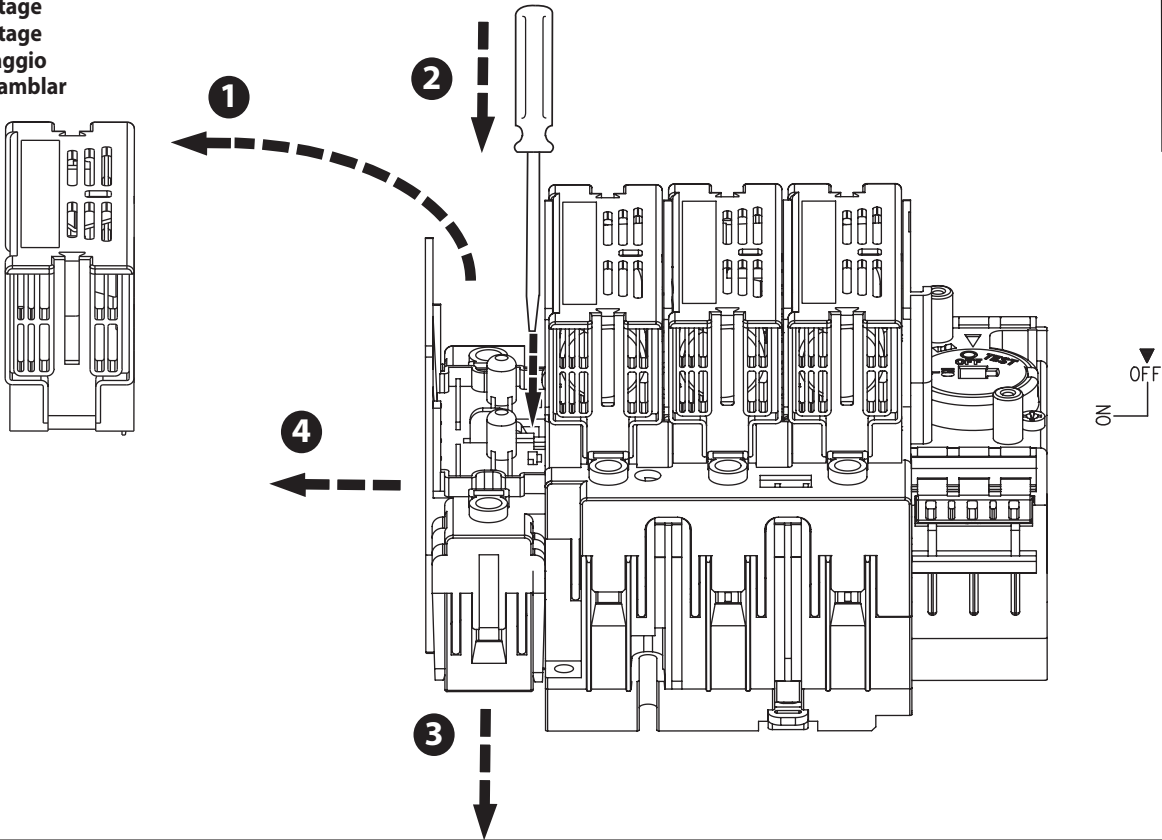
3



	w (mm ²) (AWG)	ws (mm) (in.)	T1 (Nm) (lb-in)	r (mm)
194R-20-NB(S) 194R-25-NF(S) 194R-32-NB(S) 194R-32-NF(S)	1.5 - 10 Flex / 1.0 - 16 Rigid 14 - 8	11 .43	1.6 14	35
194R-30-NC(S) 194R-30-NJ(S) 194R-30-NN	14 - 8 AWG max. 75°C CU Wire or the equivalent (1sol/str or 2 sol/sol or 2 str/str)			
194R-32-ND(S) 194R-63-NB(S) 194R-63-ND(S) 194R-63-NF(S)	2.5 - 16 Flex / 2.5 - 25 Rigid 14 - 4	13 .51	2.8 25	35 - 75
194R-30-NH(S) 194R-60-NH(S) 194R-60-NJ(S) 194R-60-NN	14 - 4 AWG max. 75°C CU Wire or the equivalent (1sol/str or 2 sol/sol or 2 str/str)			

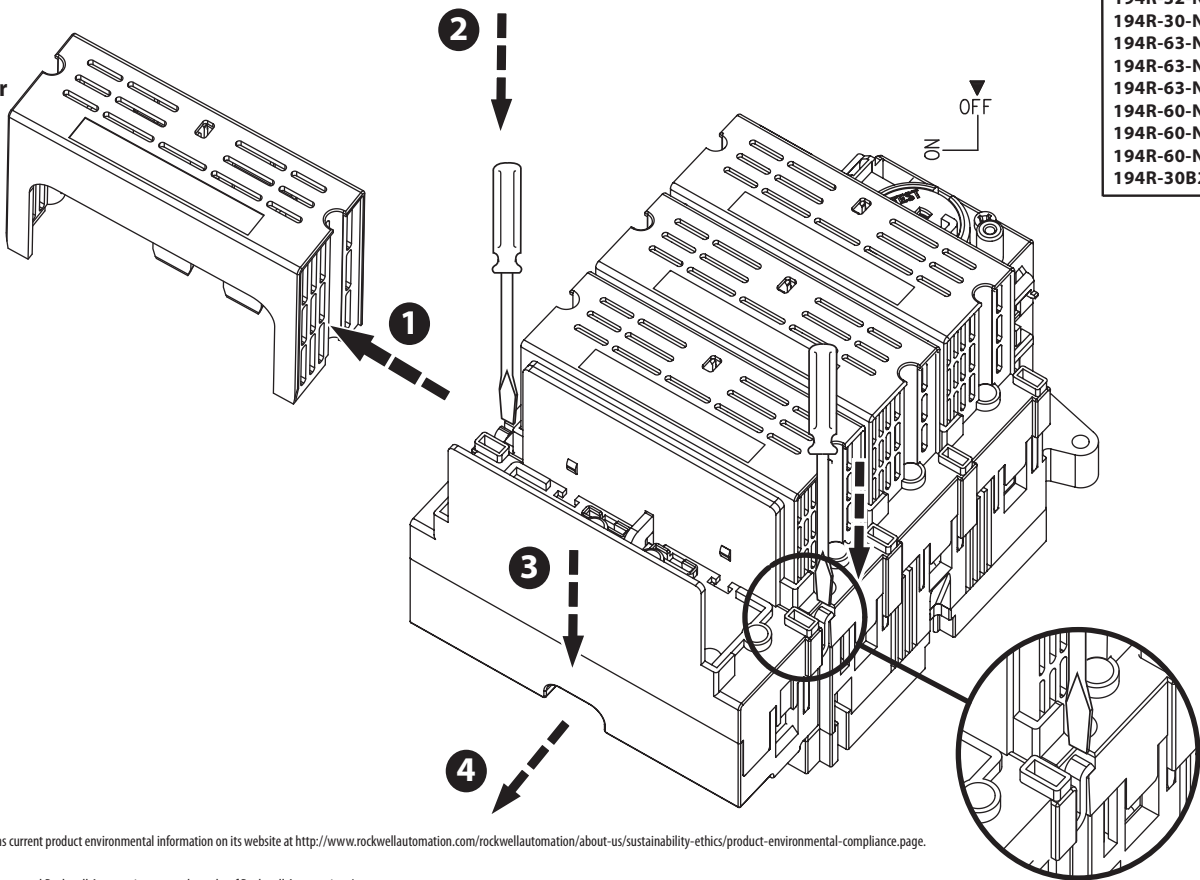
Cu wire only. AWG - solid or stranded.
 In case of using 2 wires per terminal, both wires need to be the same type and size.

Disassembling
Demontage
Démontage
Smontaggio
Desensamblar



194R-20-NB(S)
194R-25-NF(S)
194R-30-NC(S)
194R-30-NJ(S)
194R-32-NB(S)
194R-32-NF(S)
194R-30-NN

Disassembling
Demontage
Démontage
Smontaggio
Desensamblar



194R-32-ND(S)
194R-30-NH(S)
194R-63-NB(S)
194R-63-ND(S)
194R-63-NF(S)
194R-60-NH(S)
194R-60-NJ(S)
194R-60-NN
194R-30B2-NN

Rockwell Automation maintains current product environmental information on its website at <http://www.rockwellautomation.com/rockwellautomation/about-us/sustainability-ethics/product-environmental-compliance.page>.

Allen-Bradley, Rockwell Software, and Rockwell Automation are trademarks of Rockwell Automation, Inc. Trademarks not belonging to Rockwell Automation are property of their respective companies.

Rockwell Otomasyon Ticaret A.Ş., Kar Plaza İş Merkezi E Blok Kat:6 34752 İçerenköy, İstanbul, Tel: +90 (216) 5698400

www.rockwellautomation.com

Power, Control and Information Solutions Headquarters

Americas: Rockwell Automation, 1201 South Second Street, Milwaukee, WI 53204-2496 USA, Tel: (1) 414.382.2000, Fax: (1) 414.382.4444
Europe/Middle East/Africa: Rockwell Automation NV, Pegasus Park, De Kleetlaan 12a, 1831 Diegem, Belgium, Tel: (32) 2 663 0600, Fax: (32) 2 663 0640
Asia Pacific: Rockwell Automation, Level 14, Core F, Cyberport 3, 100 Cyberport Road, Hong Kong, Tel: (852) 2887 4788, Fax: (852) 2508 1846