



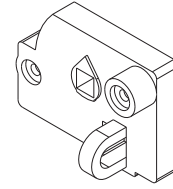
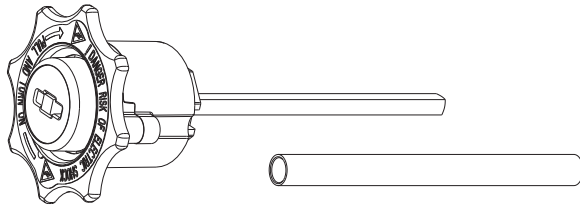
Installation Instructions for Bulletin 194R Operating Handle

(Cat 194R-NHR1, -NHR1M, -NHR2, -NHR2M, -HM4-NFPA1, -HM4-NFPA3)



WARNING: To prevent electrical shock, disconnect from power source before installing or servicing.

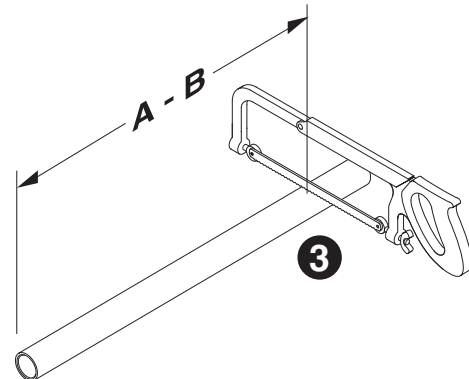
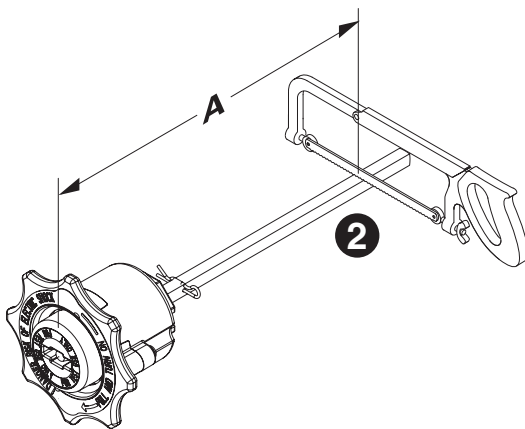
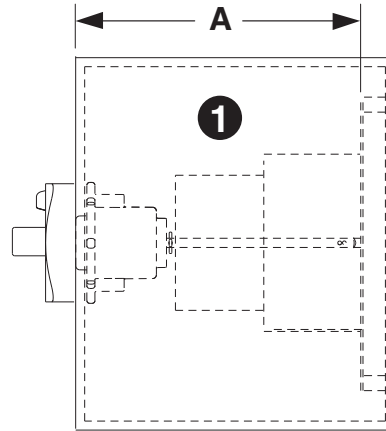
194R-NHR1, -NHR1M, -NHR2, -NHR2M



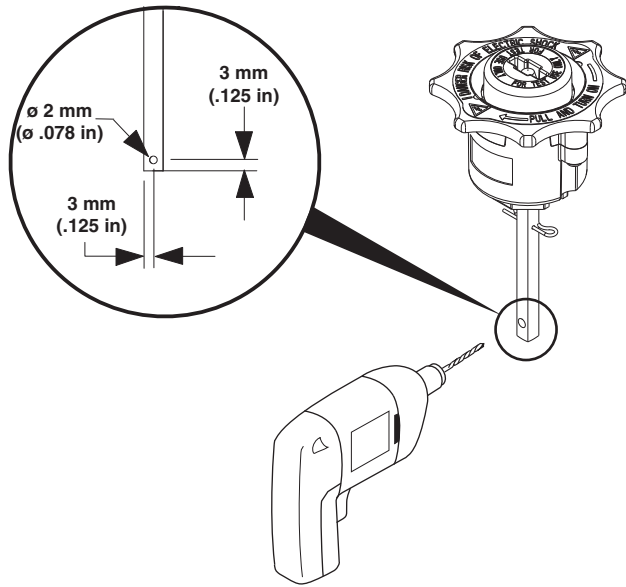
194R-PLA1

1

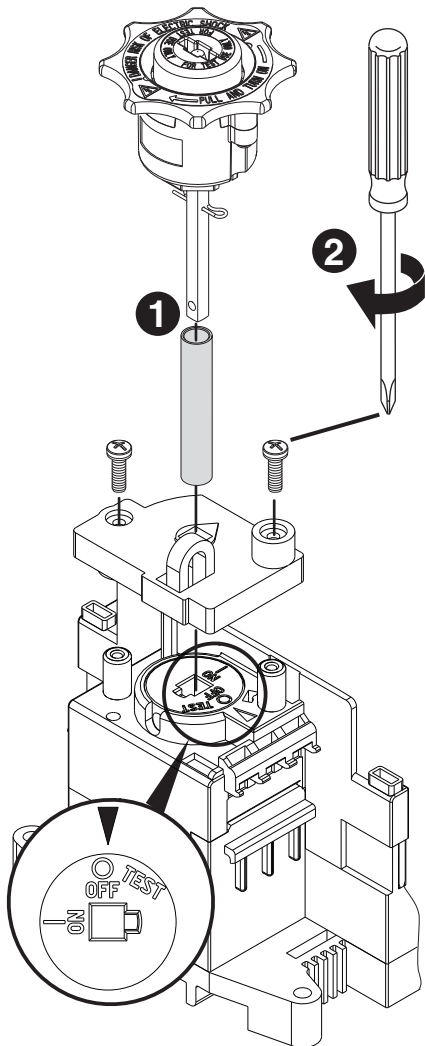
Disconnect	A	B
194R-N30-__	≥ 165 mm 6.5 in	155 mm 6.0 in
194R-B20-__	≥ 190 mm 7.5 in	
194R-B32-__		
194R-C30-__		
194R-F25-__		
194R-F32-__		
194R-J30-__		
194R-N60-__	≥ 180 mm 7.0 in	170 mm 6.75 in
194R-B63-__	≥ 205 mm 8.0 in	
194R-D32-__		
194R-D63-__		
194R-F63-__		
194R-H30-__		
194R-H60-__		
194R-J60-__		



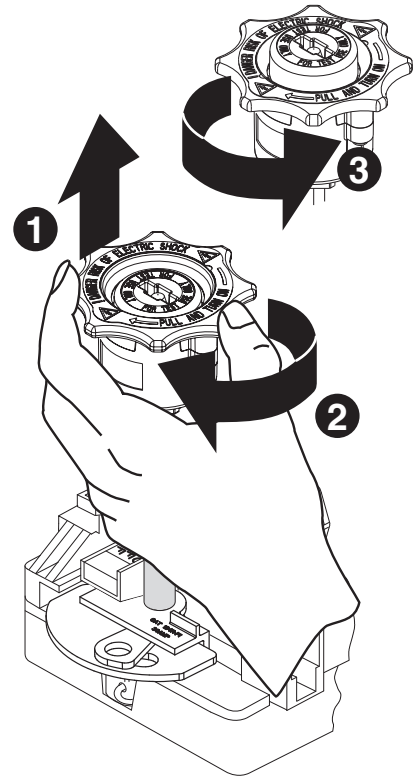
2

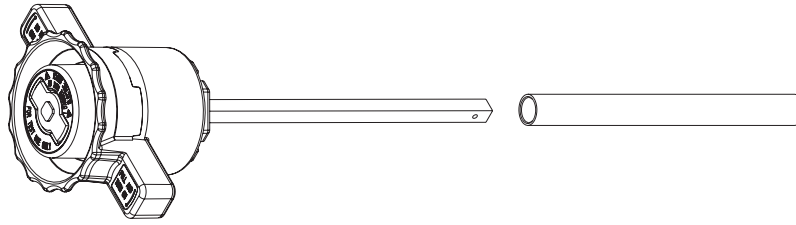


3



4

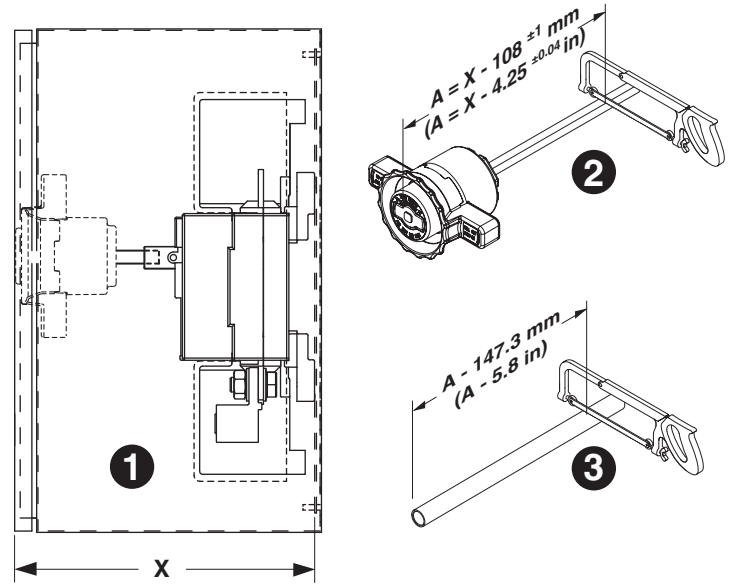
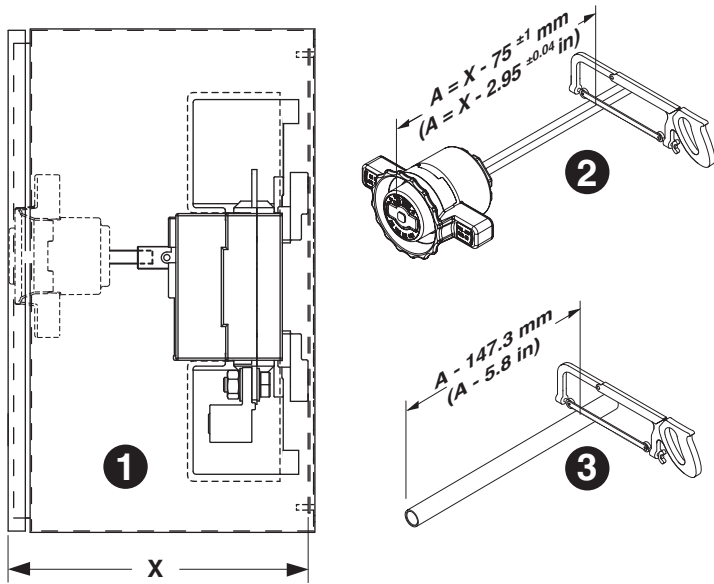




1

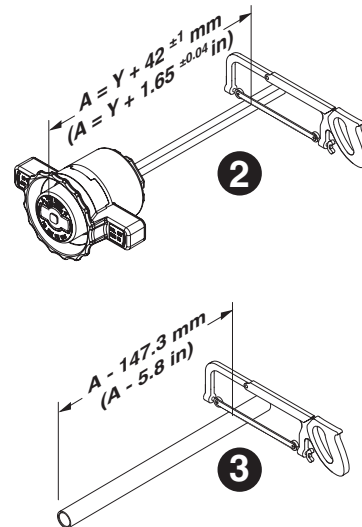
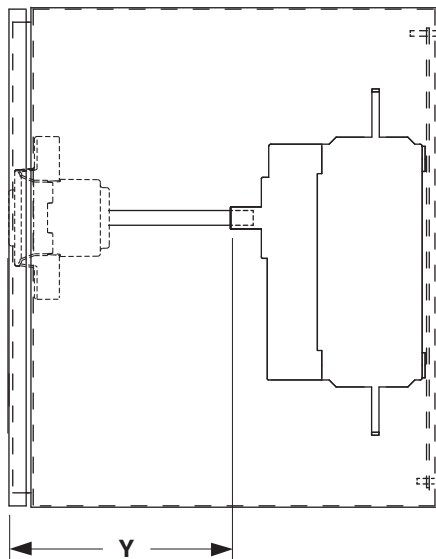
194R-NU100-175*
194R-NU200-175*

194R-NU400-175*



194R-NE-125-175*
194R-NE-160-175*
194R-NE-250-175*

194R-NE-400-175*
194R-NE-630-175*



1 (Cont'd)

194R-B100-1753	194R-B400-1753	194R-D400-1753
194R-B160-1753	194R-D125-1753	194R-J100-1753
194R-B200-1753	194R-D160-1753	194R-J200-1753
194R-B250-1753	194R-D250-1753	

194R-J400-1753

