



**Operating Handle**  
**Poignée d'actionnement**  
**Bedienungshebel**  
**Mando operativo**  
**Manípulo de accionamento**  
**Maniglia di azionamento**

(Cat 194R-N1; -N2; -NHR1M; -NHR2M; -NHR3; -NHR4; -NHR5; -NHR6)



**WARNING:** To prevent electrical shock, disconnect from power source before installing or servicing. Install in suitable enclosure.

**AVERTISSEMENT:** Avant le montage et la mise en service, couper l'alimentation secteur pour éviter toute décharge. Prévoir une mise en coffret ou armoire appropriée.

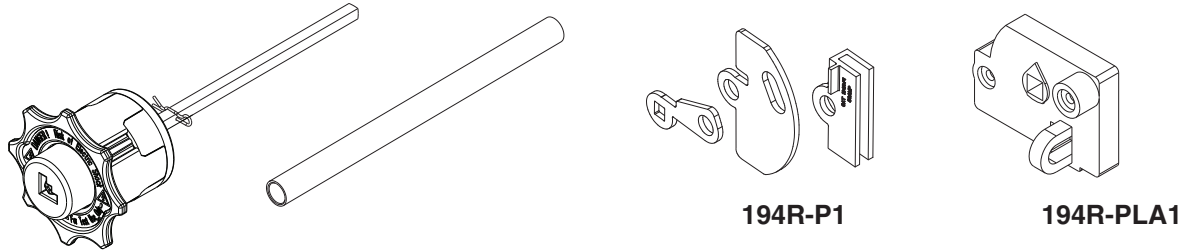
**WARNUNG:** Vor Installations- oder Servicearbeiten Stromversorgung zur Vermeidung von elektrischen Unfällen trennen. Die Geräte müssen in einem passenden Gehäuse eingebaut und gegen Verschmutzung geschützt werden.

**ADVERTENCIA:** Desconéctese de la corriente eléctrica, antes de la instalación o del servicio, a fin de impedir sacudidas eléctricas. Instálelo en una caja apropiada.

**ATENÇÃO:** Para evitar choques, desconectar da corrente elétrica antes de fazer a instalação ou a manutenção. Instalar em caixa apropriada.

**AVVERTENZA:** Per prevenire infortuni, togliere tensione prima dell'installazione o manutenzione. Installare in custodia idonea.

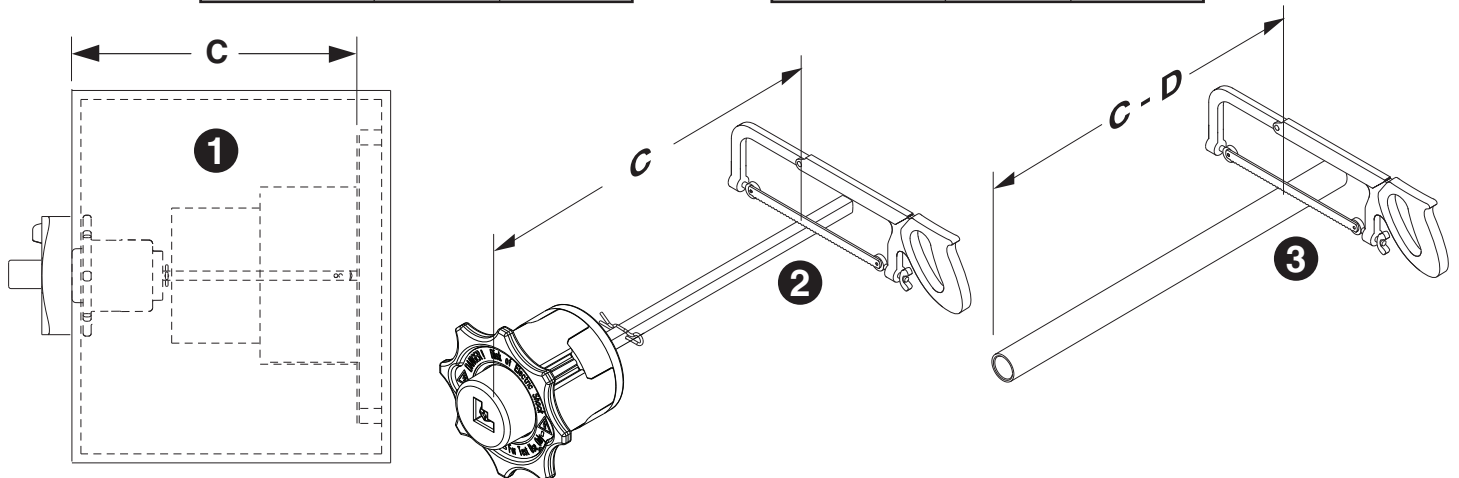
**194R-N1, -N2**



**1**

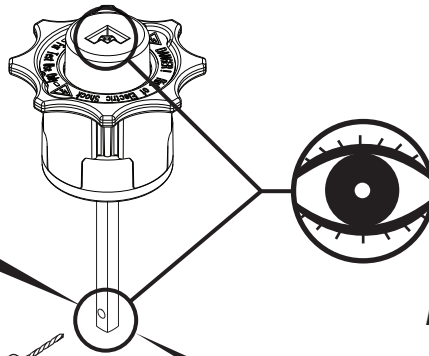
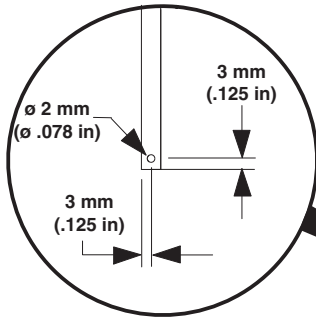
Next Generation Bulletin 194R		
Disconnect	C	D
194R-N30-__	≥ 165 mm 6.5 in	155 mm 6.0 in
194R-B20-__ 194R-B32-__ 194R-C30-__ 194R-F25-__ 194R-F32-__ 194R-J30-__	≥ 190 mm 7.5 in	
194R-N60-__	≥ 180 mm 7.0 in	170 mm 6.75 in
194R-B63-__ 194R-D32-__ 194R-D63-__ 194R-F63-__ 194R-H30-__ 194R-H60-__ 194R-J60-__	≥ 205 mm 8.0 in	

Legacy Bulletin 194R		
Disconnect	C	D
194R-NN030-__	≥ 170 mm 6.75 in	140 mm 5.5 in
194R-NC030-__ 194R-NJ030-__ 194R-NA100-__ 194R-NA200-__	≥ 210 mm 8.25 in	
194R-NN060-__	≥ 170 mm 6.75 in	115 mm 4.5 in
194R-NJ060-__ 194R-NA300-__	≥ 210 mm 8.25 in	

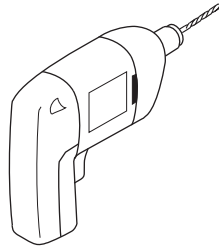
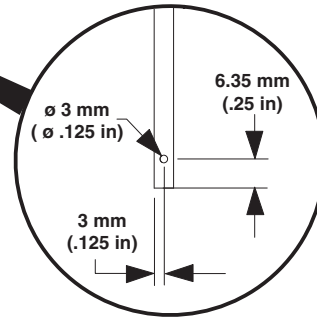


2

Next Generation



Legacy

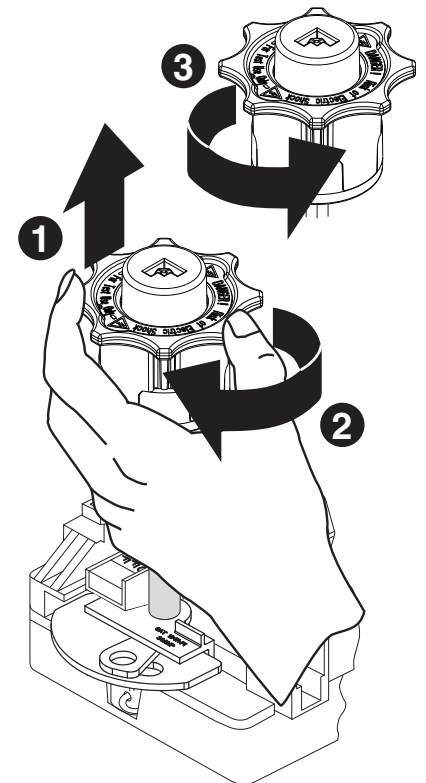
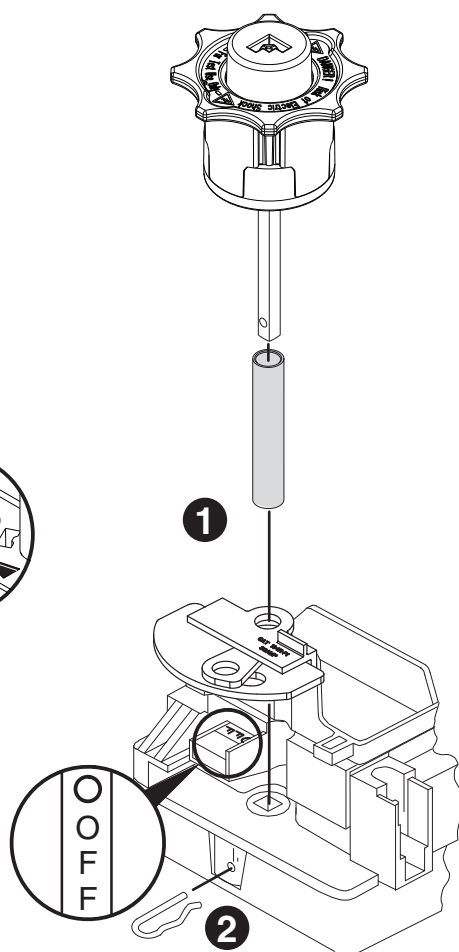
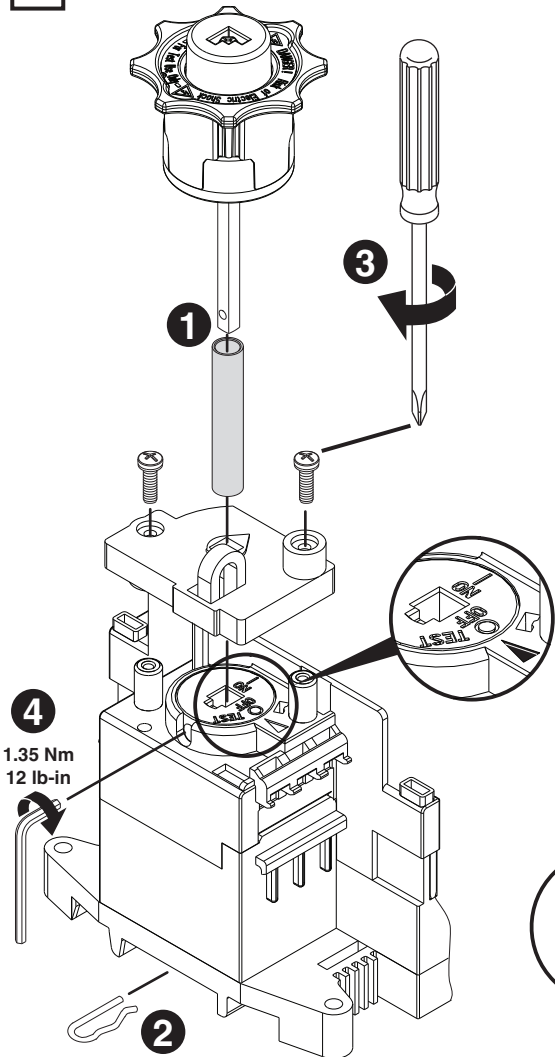


3

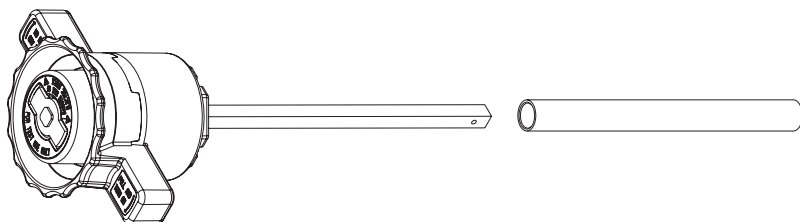
Next Generation

Legacy

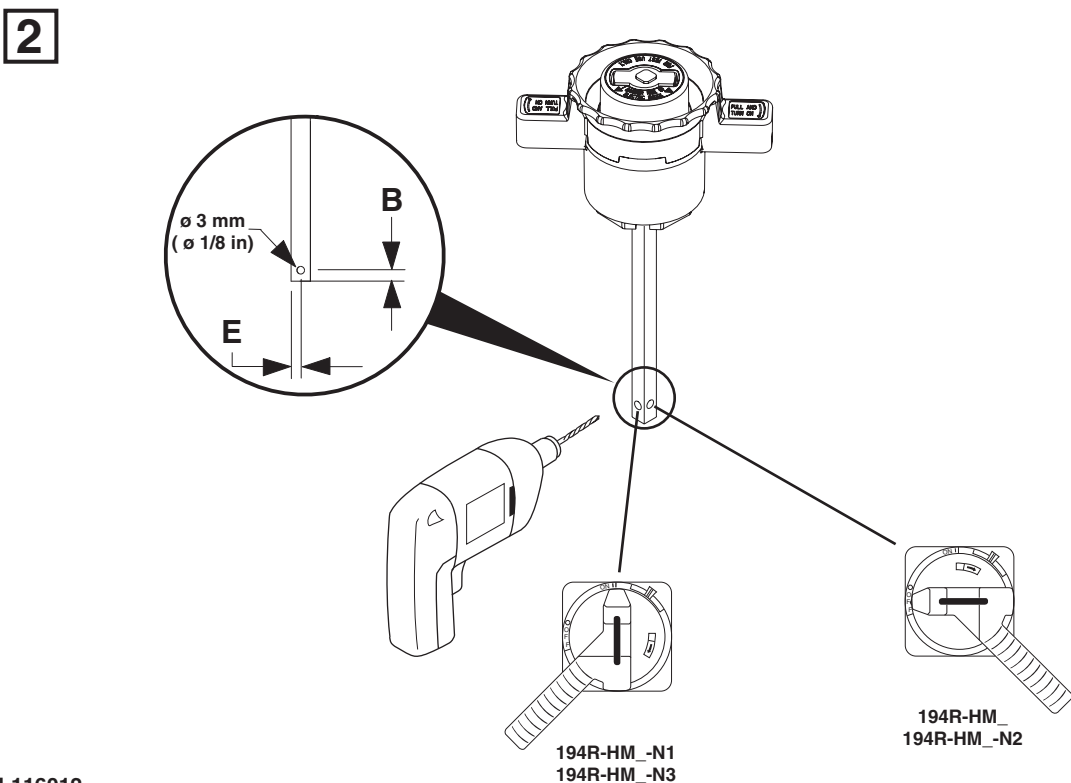
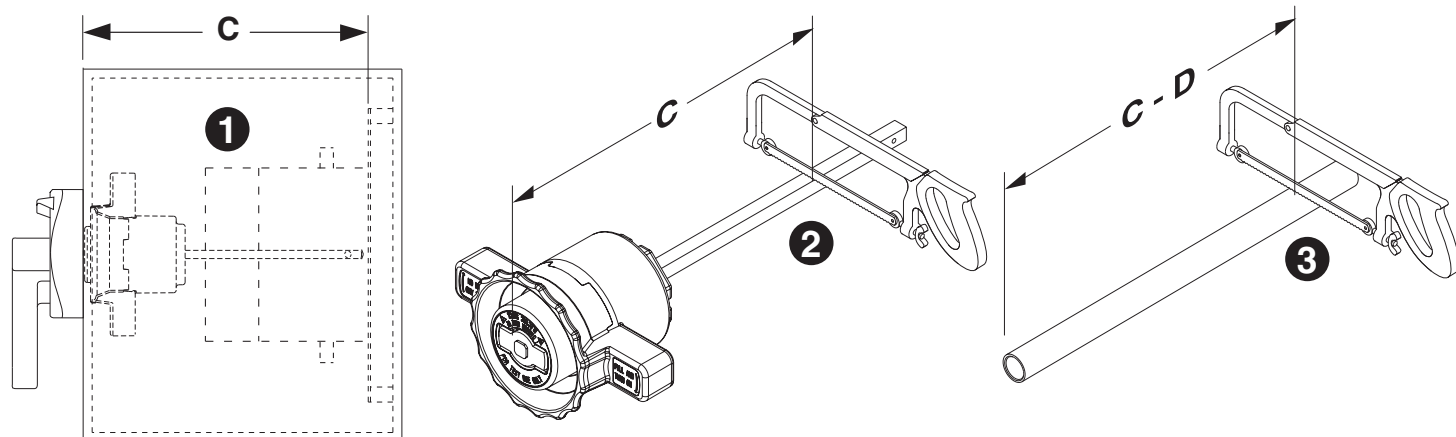
4



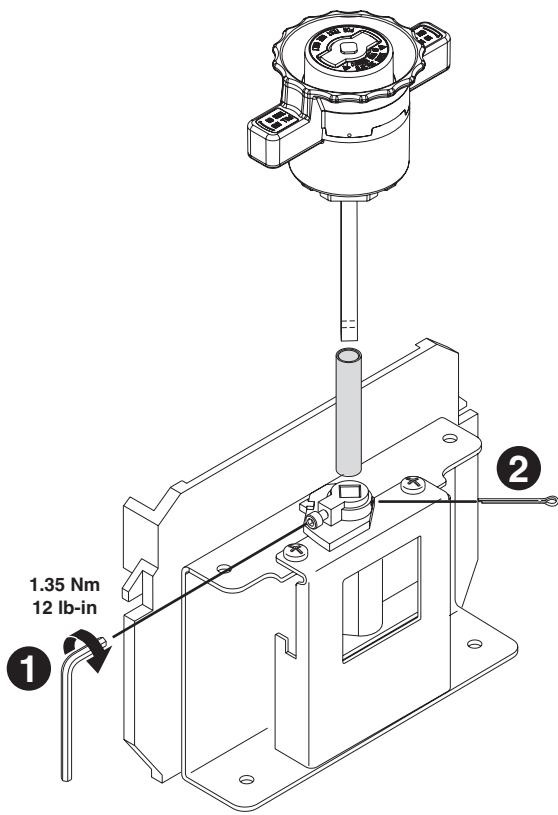
**194R-NHR1M, -NHR2M, -NHR3, -NHR4, -NHR5, -NHR6**



Disconnect			B	C	D	E
194R-NH100	194R-NJ200	194R-NA380	54 mm	216 mm	114 mm	4 mm
194R-NJ100	194R-NN200	194R-ND072	2.13 in	8.5 in	4.5 in	.156 in
194R-NN100	194R-NA400	194R-ND138				
194R-NB200	194R-ND300	194R-NJ400	68 mm	305 mm	152 mm	4.8 mm
194R-NB300	194R-NH200	194R-NN400	2.68 in	12.0 in	6.0 in	.188 in
194R-ND250	194R-NH400					



3



4

