

# E300 Communication Module

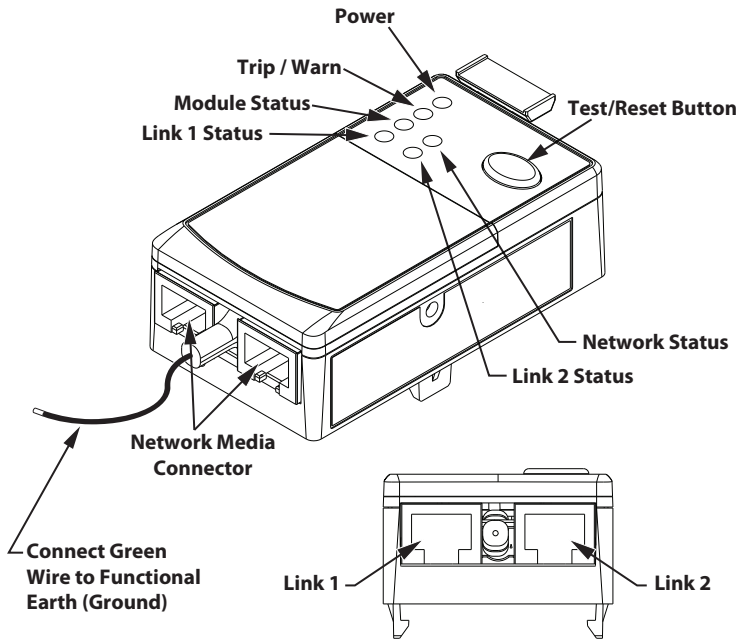
(Cat 193-ECM-ETR; 193-ECM-DNT)

**WARNING:** To prevent electrical shock, disconnect from power source before installing or servicing. Follow NFPA 70E requirements. Install in suitable enclosure. Keep free from contaminants. Installation, adjustments, putting into service, use, assembly, disassembly, and maintenance shall be carried out by suitably trained personnel in accordance with applicable code of practice. In case of malfunction or damage, no attempts at repair should be made. The product should be returned to the manufacturer for repair. Do not dismantle the product.

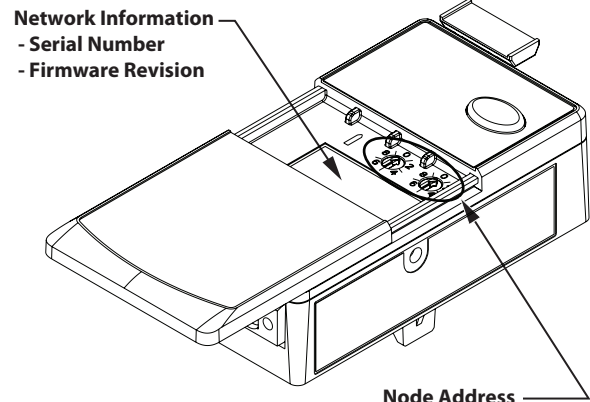
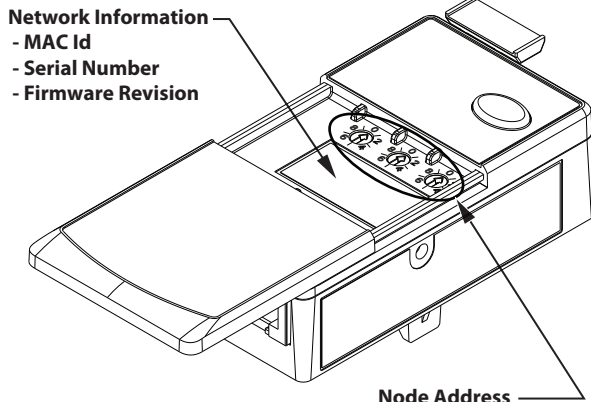
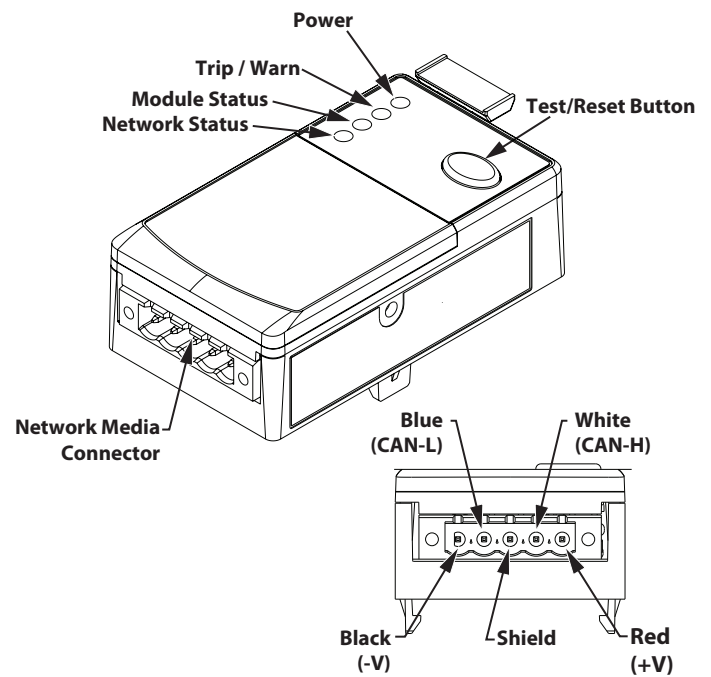
**Additional Resources:**

- 1) Go to <http://www.literature.rockwellautomation.com>;
- 2) Go to **Search**. Type in publication number: **193-UM015**

## Features - EtherNet (193-ECM-ETR)



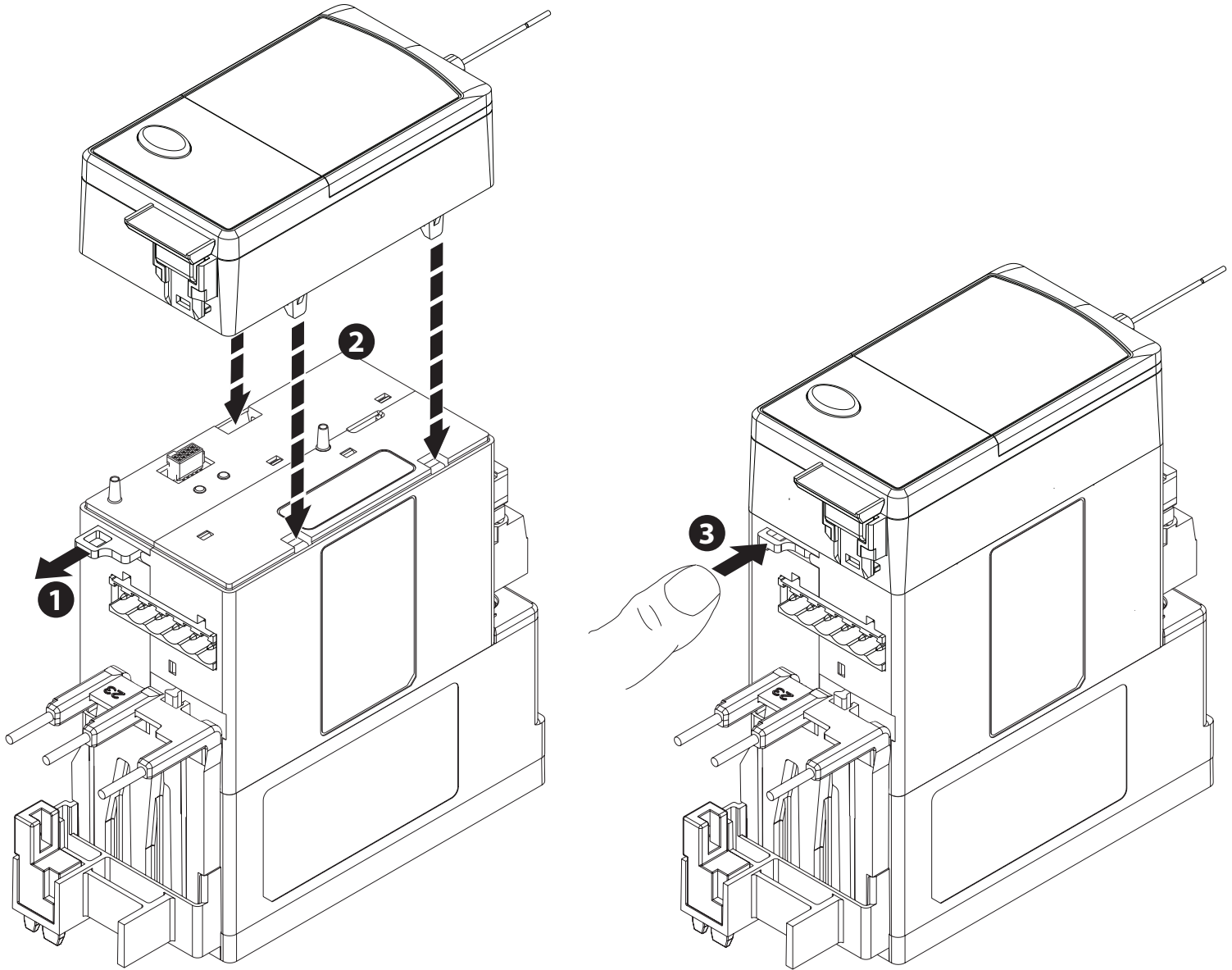
## Features - DeviceNet (193-ECM-DNT)



Node Address	Function
001 - 254	Set IP Address to 192.168.1.xxx
255 - 887	Set IP Address via DHCP or use static IP Address
888	Reset to factory defaults
000	Administration mode

Node Address	Function
00 - 63	Set node address to xx
64 - 76	Software sets node address
78 - 98	Software sets node address
88	Reset to factory defaults
77	Administration mode

# Installation



## Recommended Ethernet cables

1585J-M8TBJM-2	RJ45 Straight Male to RJ45 Straight Male, Teal Robotic TPE, Weld Splatter, Flex Rated, 2 m
1585J-M8TBJM-2	RJ45 Straight Male to RJ45 Straight Male, Teal PVC, 600V Rated, 2 m

Custom lengths available up to 99 meters

Allen-Bradley, Rockwell Software, and Rockwell Automation are trademarks of Rockwell Automation, Inc. Trademarks not belonging to Rockwell Automation are property of their respective companies.

[www.rockwellautomation.com](http://www.rockwellautomation.com)

### Power, Control and Information Solutions Headquarters

Americas: Rockwell Automation, 1201 South Second Street, Milwaukee, WI 53204-2496 USA, Tel: (1) 414.382.2000, Fax: (1) 414.382.4444

Europe/Middle East/Africa: Rockwell Automation NV, Pegasus Park, De Kleetlaan 12a, 1831 Diegem, Belgium, Tel: (32) 2 663 0600, Fax: (32) 2 663 0640

Asia Pacific: Rockwell Automation, Level 14, Core F, Cyberport 3, 100 Cyberport Road, Hong Kong, Tel: (852) 2887 4788, Fax: (852) 2508 1846



PN-194050

DIR 10000518535 (Version 00)