



Panel or DIN Rail Adapter

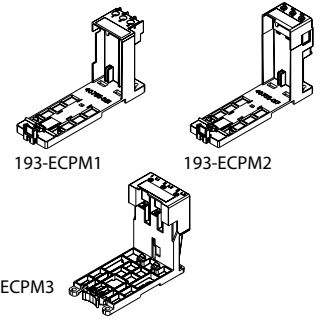
Adaptateur pour montage sur panneau ou sur rail DIN

Zwischenstück für platten - oder DIN - Schienen - Montage

Adaptador para montaje en panel o en riel DIN

Adaptador para montagem em panel ou barra DIN

(Cat 193-ECPM1, -ECPM2, -ECPM3)



Installation Montage Instalación Instalação Installazione



ATTENTION: To prevent electrical shock, disconnect from power source before installing or servicing. Install in suitable enclosure. Keep free from contaminants.

ATTENTION: Avant le montage et la mise en service, couper l'alimentation secteur pour éviter toute décharge. Prévoir une mise en coffret ou armoire appropriée. Protéger le produit contre les environnements agressifs.

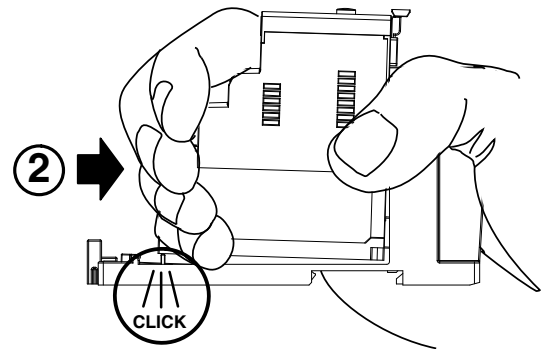
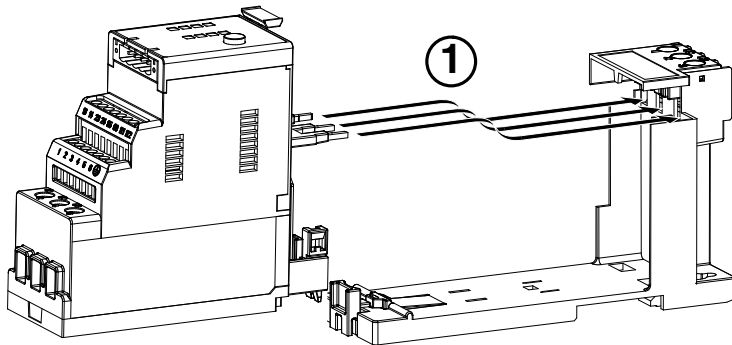
ACHTUNG: Vor Installations- oder Servicearbeiten Stromversorgung zur Vermeidung von elektrischen Unfällen trennen. Die Geräte müssen in einem passenden Gehäuse eingebaut und gegen Verschmutzung geschützt werden.

ATENCIÓN: Desconéctese de la corriente eléctrica, antes de la instalación o del servicio, a fin de impedir sacudidas eléctricas. Instálelo en una caja apropiada. Manténgalo libre de contaminantes.

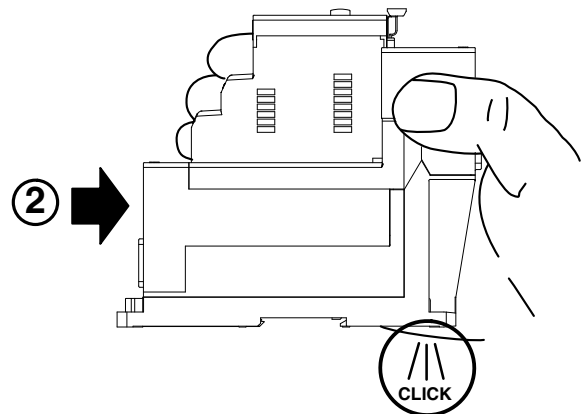
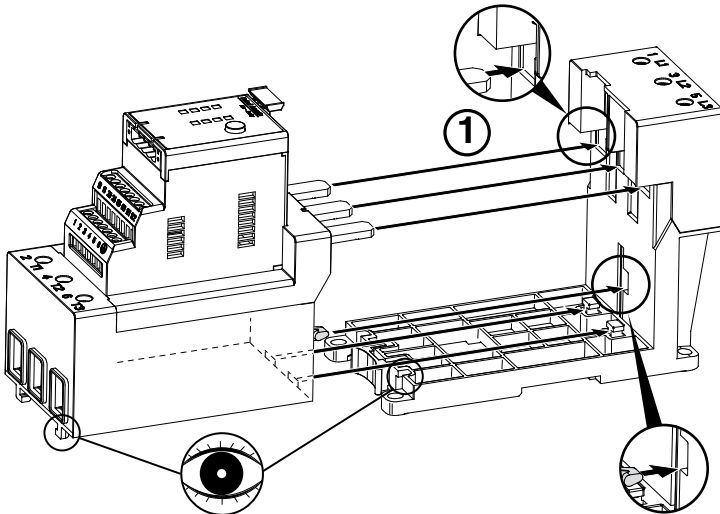
ATENÇÃO: Para evitar choques, desconectar da corrente elétrica antes de fazer a instalação ou a manutenção. Instalar em caixa apropriada. Manter livre de contaminantes.

ATTENZIONE: Per prevenire infortuni, togliere tensione prima dell'installazione o manutenzione. Installare in

193-ECPM1 193-ECPM2

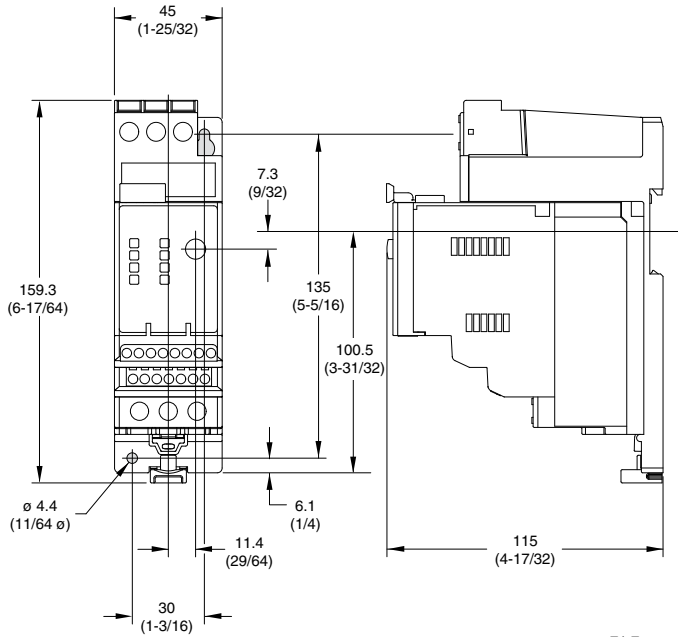


193-ECPM3

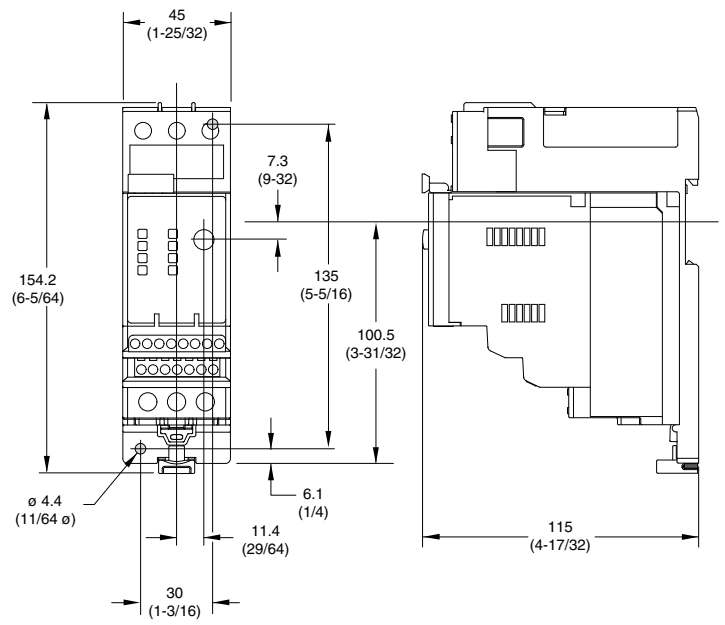


DIMENSIONS

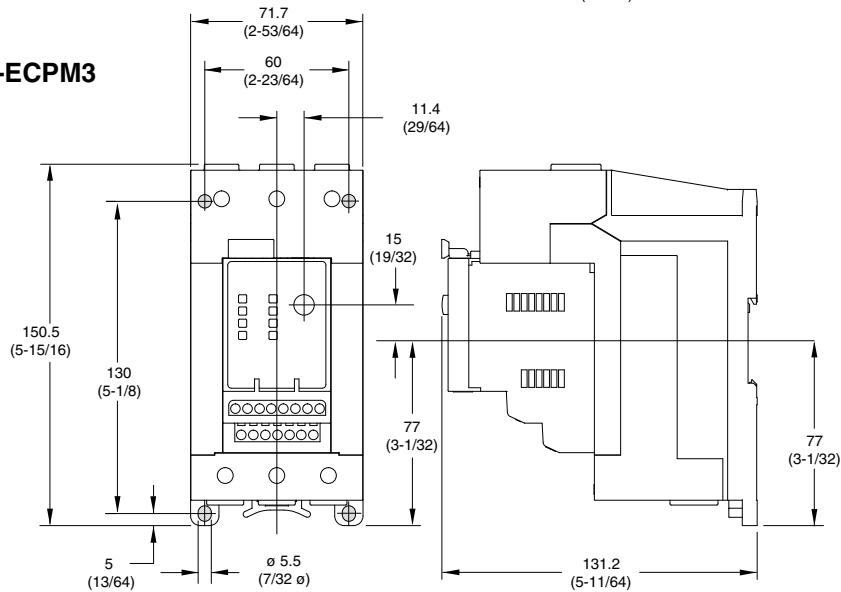
193-ECPM1



193-ECPM2



193-ECPM3



WIRE SIZE & TORQUE

		193-ECPM1*	193-ECPM2*	193-ECPM3*
Stranded/Solid AWG	Single Conductor Torque	#14 - #8 AWG 16 in.-lbs.	#16 - #6 AWG 20 in.-lbs.	#12 - #1 AWG 35 in.-lbs.
	Multiple Conductor Torque	#14 - #8 AWG 16 in.-lbs.	#16 - #6 AWG 20 in.-lbs.	#12 - #2 AWG 35 in.-lbs.
Flexible Stranded w/Ferrule Metric	Single Conductor Torque	1.0 - 4.0 mm ² 1.8 Nm	2.5 - 16 mm ² 2.3 Nm	4.0 - 35 mm ² 4.0 Nm
	Multiple Conductor Torque	1.0 - 4.0 mm ² 1.8 Nm	2.5 - 10 mm ² 2.3 Nm	4.0 - 25 mm ² 4.0 Nm
Course Stranded/Solid Metric	Single Conductor Torque	1.5 - 6.0 mm ² 1.8 Nm	2.5 - 25 mm ² 2.3 Nm	4.0 - 50 mm ² 4.0 Nm
	Multiple Conductor Torque	1.5 - 6.0 mm ² 1.8 Nm	2.5 - 10 mm ² 2.3 Nm	4.0 - 35 mm ² 4.0 Nm

* For multiple conductor applications, the same size and style of wire must be used.

Americas: Rockwell Automation, 1201 South Second Street, Milwaukee, WI 53204-2496 USA, Tel: (1)414.382.2000, Fax:(1)414.382.4444

Europe/Middle East/Africa: Rockwell Automation NV, Pegasus Park, De Kleetlaan 12a, 1831 Diegem, Belgium, Tel:(32)26630600, Fax: (32) 26630640

Asia Pacific: Rockwell Automation, Level 14, Core F, Cyberport 3, 100 Cyberport Road, Hong Kong, Tel:(852)28874788, Fax: (852) 2508 1846