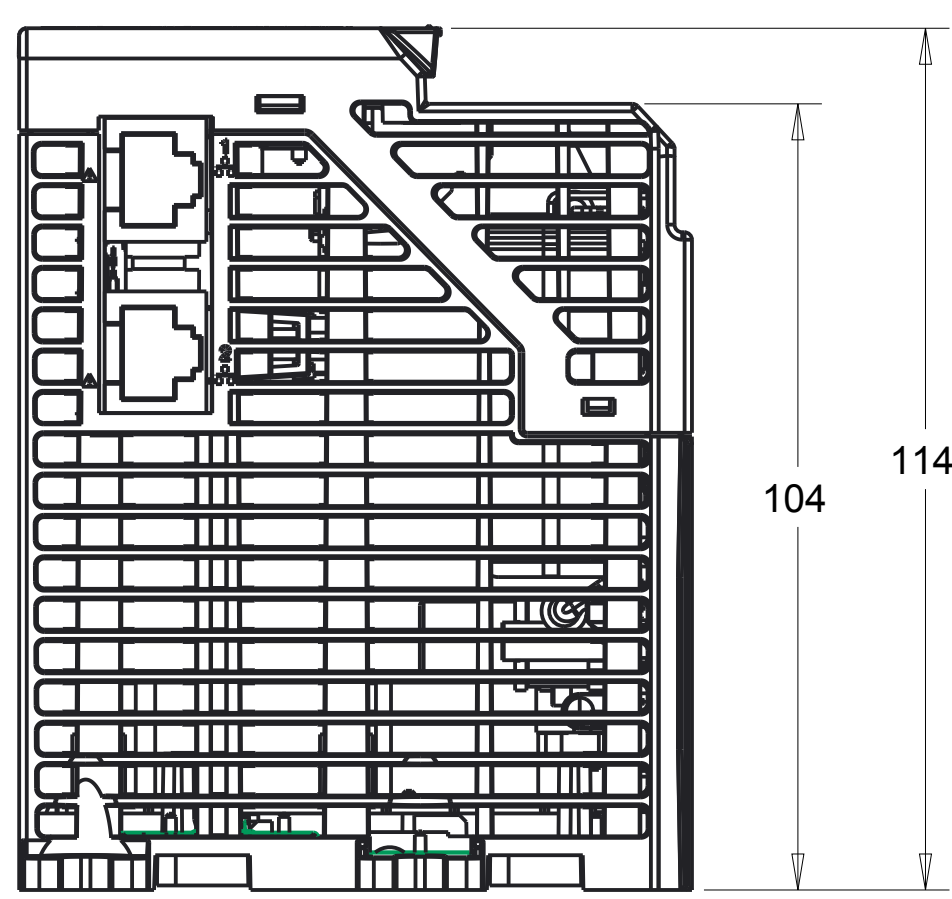
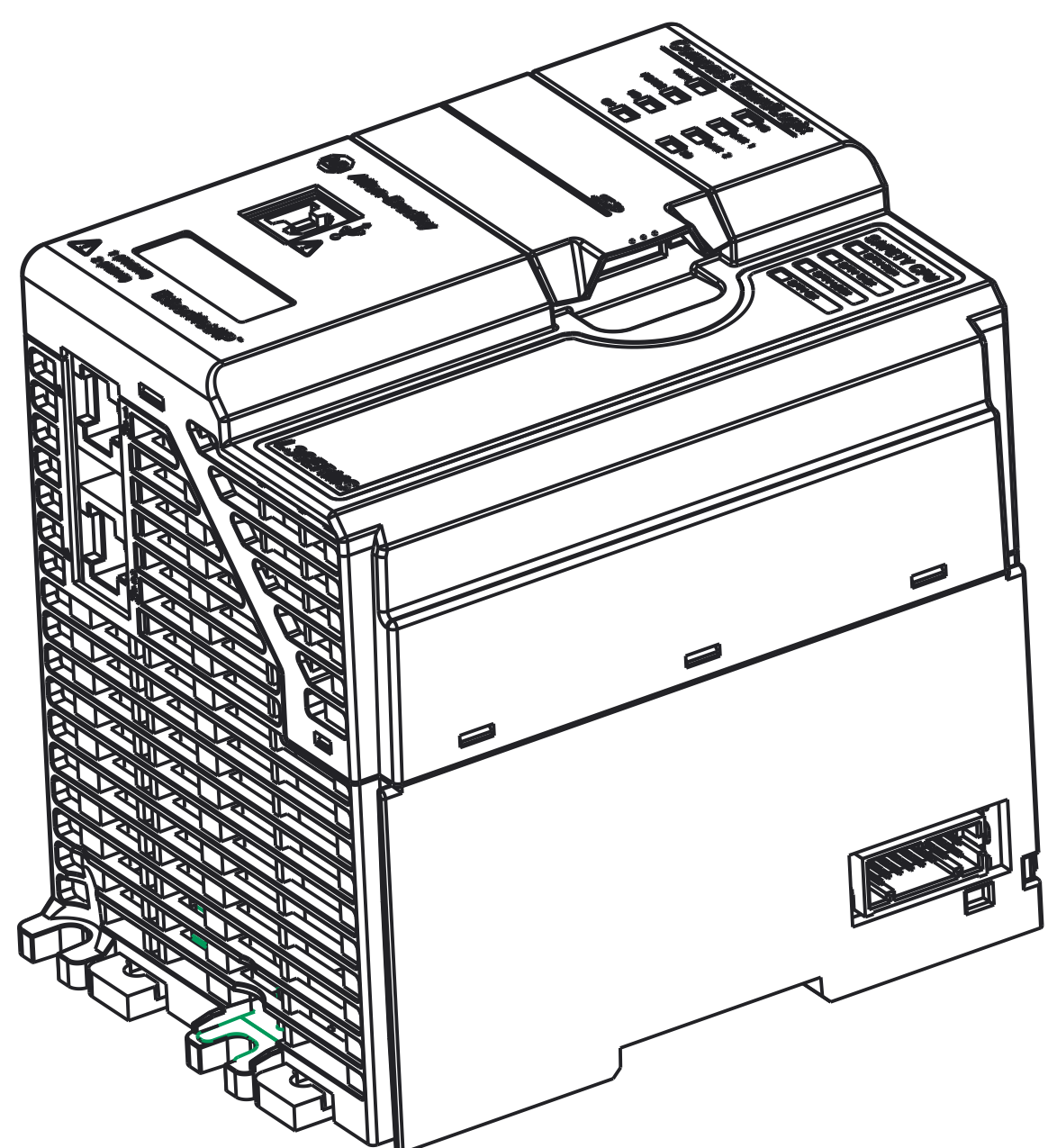
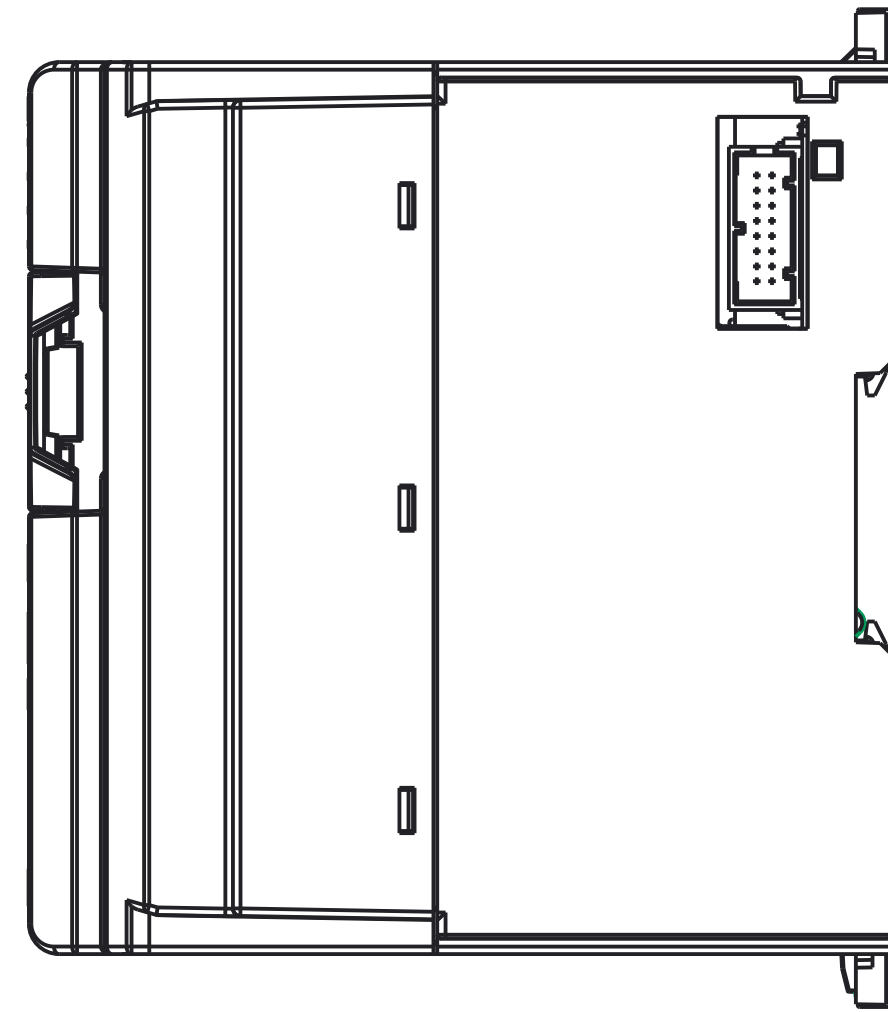
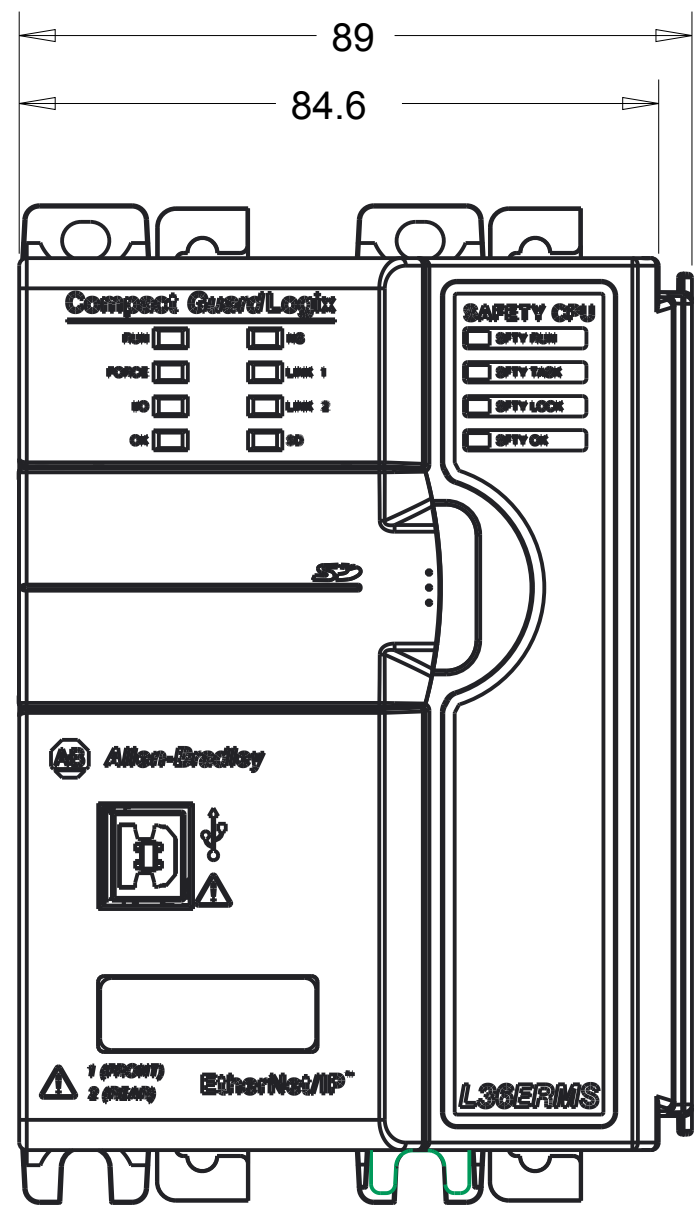
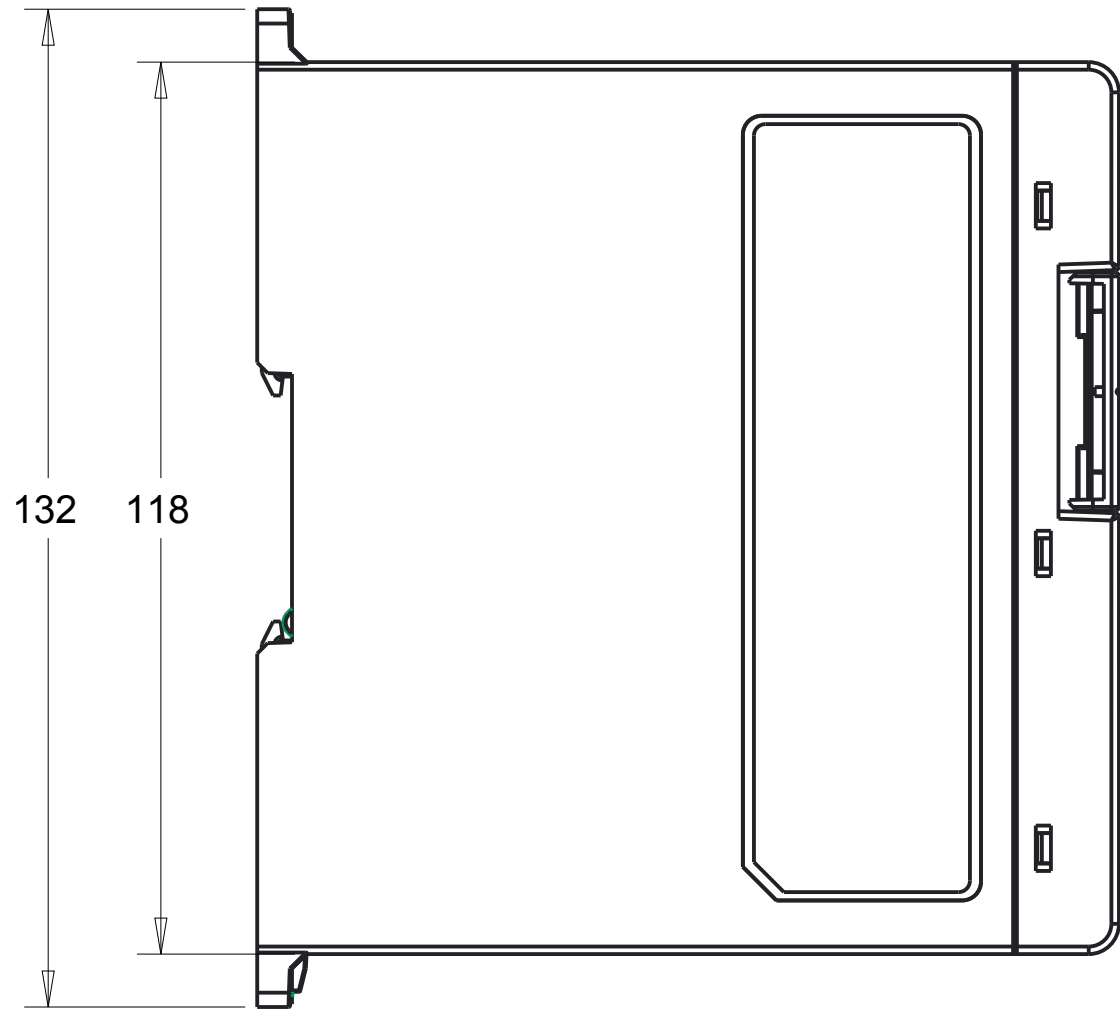


1 2 3 4 5 6 7 8

A
B
C
D
E
F
G
H



Note:
1) All dimensions in mm

Rockwell Automation		CONFIDENTIAL AND PROPRIETARY INFORMATION. THIS DOCUMENT CONTAINS CONFIDENTIAL AND PROPRIETARY INFORMATION OF ROCKWELL AUTOMATION, INC. AND MAY NOT BE USED, COPIED OR DISCLOSED TO OTHERS, EXCEPT WITH THE AUTHORIZED WRITTEN PERMISSION OF ROCKWELL AUTOMATION, INC.	
		Sheet 1 Of 1	
1769-L3YS Customer Drawing		Size C	Ver 00
Drawn by: SKANG	Date: 27-Jan-2016	10002105071	