



# SMC™-Flex

## BULLETIN 150



## Important User Information

Because of the variety of uses for the products described in this publication, those responsible for the application and use of this control equipment must satisfy themselves that all necessary steps have been taken to assure that each application and use meets all performance and safety requirements, including any applicable laws, regulations, codes and standards.

The illustrations, charts, sample programs and layout examples shown in this guide are intended solely for purposes of example. Since there are many variables and requirements associated with any particular installation, Allen-Bradley does not assume responsibility or liability (to include intellectual property liability) for actual use based upon the examples shown in this publication.

Allen-Bradley publication SGI-1.1, *Safety Guidelines for the Application, Installation and Maintenance of Solid-State Control* (available from your local Allen-Bradley office), describes some important differences between solid-state equipment and electromechanical devices that should be taken into consideration when applying products such as those described in this publication.

Reproduction of the contents of this copyrighted publication, in whole or part, without written permission of Rockwell Automation, is prohibited.

Throughout this manual we use notes to make you aware of safety considerations:

---

**ATTENTION**

Identifies information about practices or circumstances that can lead to personal injury or death, property damage or economic loss

---

Attention statements help you to:

- identify a hazard
- avoid a hazard
- recognize the consequences

---

**IMPORTANT**

Identifies information that is critical for successful application and understanding of the product.

---

### Trademark List

Accu-Stop, Allen-Bradley Remote I/O, RSNetwork, PLC, PowerFlex, SLC, SMC, SMC-2, SMC-Flex, SMC PLUS, SMC Dialog Plus, SMB, and STC are trademarks of Rockwell Automation. ControlNet is a trademark of ControlNet International, Ltd. DeviceNet and the DeviceNet logo are trademarks of the Open Device Vendors Association (ODVA). Ethernet is a registered trademark of Digital Equipment Corporation, Intel, and Xerox Corporation. Modbus is a trademark or registered trademark of Schneider Automation Inc. Profibus is a registered trademark of Profibus International.

## **European Communities (EC) Directive Compliance**

If this product has the CE mark it is approved for installation within the European Union and EEA regions. It has been designed and tested to meet the following directives.

### **EMC Directive**

This product is tested to meet the Council Directive 89/336/EC Electromagnetic Compatibility (EMC) per EN/IEC 60947-4-2.

This product is intended for use in an industrial environment.

### **Low Voltage Directive**

This product is tested to meet Council Directive 73/23/EEC Low Voltage, per EN/IEC 60947-4-2.

This equipment is classified as open equipment and must be mounted in an enclosure during operation to provide safety protection.

## Notes

## Table of Contents

---

### Chapter 1 Product Overview

Other Related Documents .....	1-1
Description .....	1-1
Operation .....	1-2
Modes of Operation (Standard) .....	1-2
Soft Start .....	1-2
Selectable Kickstart .....	1-3
Current Limit Start .....	1-3
Dual Ramp Start .....	1-4
Full Voltage Start .....	1-4
Preset Slow Speed .....	1-5
Linear Speed Acceleration .....	1-6
Soft Stop .....	1-7
Control Options .....	1-8
Modes of Operation (Pump Control) .....	1-8
Pump Control Option .....	1-8
Modes of Operation (Braking Control) .....	1-9
SMB Smart Motor Braking Option .....	1-9
Accu-Stop Option .....	1-10
Slow Speed with Braking Option .....	1-10
Protection and Diagnostics .....	1-11
Overload .....	1-11
Underload .....	1-11
Undervoltage .....	1-13
Overvoltage .....	1-13
Unbalance .....	1-13
Stall Protection and Jam Detection .....	1-14
Ground Fault .....	1-15
Ground Fault Trip .....	1-16
Ground Fault Alarm .....	1-16
Thermistor/PTC Protection .....	1-17
PTC Trip .....	1-17
Excessive Starts/Hour .....	1-18
Overtemperature .....	1-18
Open Gate .....	1-18
Line Faults .....	1-18
Metering .....	1-19
I/O .....	1-19
Communication .....	1-20
Programming .....	1-20
Status Indication .....	1-21

### Chapter 2 Installation

Degree of Protection .....	2-1
Receiving .....	2-1
Unpacking .....	2-1
Inspecting .....	2-1
Storing .....	2-1

Lifting .....	2-2
General Precautions .....	2-3
Heat Dissipation .....	2-3
Enclosures .....	2-4
Mounting .....	2-5
Power Factor Correction Capacitors .....	2-12
Protective Modules .....	2-13
Motor Overload Protection .....	2-13
Two-speed Motors .....	2-13
Multi-motor Protection .....	2-13
Electromagnetic Compatibility (EMC) .....	2-14
Enclosure .....	2-14
Wiring .....	2-14
Additional Requirements .....	2-14

**Chapter 3  
Wiring**

Terminal Locations .....	3-1
Power Structure .....	3-3
Power Wiring .....	3-3
Line Connected .....	3-4
Delta Connected .....	3-4
Power Lugs .....	3-5
Control Power .....	3-7
Control Wiring .....	3-7
Controllers rated 5...480 A .....	3-7
Controllers rated 625...1250 A .....	3-7
Control Wire Specifications .....	3-11
Fan Power .....	3-11
Fan Terminations .....	3-11
Control Terminal Designations .....	3-12
Standard Controller Wiring Diagrams .....	3-13
Soft Stop, Pump Control, and SMB Smart Motor Braking .....	3-24
Preset Slow Speed .....	3-28
Slow Speed with Braking .....	3-30
Sequence of Operation .....	3-31
Special Application Considerations .....	3-36
Use of Protective Modules .....	36
Multi-motor Applications .....	3-38
SMC-Flex Controller as a Bypass to an AC Drive .....	3-39
SMC-Flex Controller with a Bulletin 1410 Motor Winding Heater .....	3-40

**Chapter 4  
Programming**

Overview .....	4-1
Keypad Description .....	4-1
Programming Menu .....	4-1
Password .....	4-5
Parameter Management .....	4-6
Random Access Memory (RAM) .....	4-6
Read-only Memory (ROM) .....	4-6
Electrically Erasable Programmable Read-only Memory (EEPROM) .....	4-6
Parameter Modification .....	4-7
Soft Start .....	4-8

Current Limit Start .....	4-8
Dual Ramp Start .....	4-9
Full Voltage Start .....	4-10
Linear Speed .....	4-10
Programming Parameters .....	4-11
Standard .....	4-11
Pump Control .....	4-12
Braking Control .....	4-12
Basic Set Up .....	4-14
Motor Protection .....	4-15
Example Settings .....	4-16
Undervoltage .....	4-16
Overvoltage .....	4-16
Jam .....	4-16
Underload .....	4-16

**Chapter 5  
Metering**

Overview .....	5-1
Viewing Metering Data .....	5-1

**Chapter 6  
Optional HIM Operation**

Overview .....	6-1
Human Interface Module .....	6-1
Standard .....	6-1
Pump Control .....	6-2
Braking Control .....	6-2

**Chapter 7  
Communications**

Overview .....	7-1
Communication Ports .....	7-1
Human Interface Module .....	7-2
Keypad Description .....	7-2
Connecting the Human Interface Module to the Controller .....	7-4
HIM Control Enable .....	7-4
Control Enable .....	7-6
Loss of Communication and Network Faults .....	7-6
SMC-Flex Specific Information .....	7-6
Default Input/Output Configuration .....	7-7
Variable Input/Output Configuration .....	7-7
SMC — Flex Bit Identification .....	7-8
Reference/Feedback .....	7-9
Parameter Information .....	7-9
Scale Factors for PLC Communication .....	7-9
Read Example .....	7-9
Write Example .....	7-9
Display Text Unit Equivalents .....	7-10
Configuring DataLinks .....	7-10
Rules for Using DataLinks .....	7-10
Updating Firmware .....	7-10

**Chapter 8  
Diagnostics**

Overview .....	8-1
Protection Programming .....	8-1

	Fault Display .....	8-1
	Clear Fault .....	8-2
	Fault Buffer .....	8-2
	Fault Codes .....	8-3
	Fault and Alarm Auxiliary Indication for Fault or Alarm .....	8-3
	Fault Definitions .....	8-4
<b>Chapter 9</b>		
<b>Troubleshooting</b>	Introduction .....	9-1
	Power Module Check .....	9-7
	Shorted SCR Test .....	9-7
<b>Appendix A</b>		
<b>Specifications</b>	Functional Design Specifications .....	A-1
	Electrical Ratings .....	A-2
	Short Circuit Protection .....	A-3
	Environmental .....	A-5
	Mechanical .....	A-5
	Other .....	A-6
	Approximate Dimensions and Shipping Weights .....	A-6
	Open Type Controllers .....	A-6
	Enclosed Type Line-Connected Controllers .....	A-7
<b>Appendix B</b>		
<b>Parameter Information</b>	Parameter Information .....	B-1
<b>Appendix C</b>		
<b>Renewal Parts</b>	Renewal Parts .....	C-1
<b>Appendix D</b>		
<b>Accessories</b>	Contactors Replacement Installation Instructions for 625...1250 A units .....	D-1
<b>Appendix E</b>		
<b>Accessories</b>	Accessories .....	E-1
<b>Appendix F</b>		
<b>Renewal Parts Cross Reference</b>	Renewal Part Cross Reference .....	F-1



## Product Overview

### Other Related Documents

- Quick Start — Publication 150-QS001\_①-EN-P
- Renewal Part Instructions — 41053-277-01 (5...85 A)  
41053-328-01 (108...135 A)  
41053-228-01 (201...480 A)  
41053-367-01 (625...1250 A)
- Selection Guide — Publication 150-SG009\_①-EN-P
- Application Guide — Publication 150-AT002\_①-EN-P

### Description

The SMC™-Flex controller offers a full range of starting modes as standard:

- Soft Start with Selectable Kickstart
- Current Limit with Selectable Kickstart
- Dual Ramp Start with Selectable Kickstart
- Full Voltage Start
- Preset Slow Speed
- Linear Speed Acceleration with Selectable Kickstart (requires Tach feedback)
- Soft Stop

Other features that offer further user benefit include:

- Expanded protective features
- Metering
- I/O
- Communication capability

Innovative starting and stopping options provide enhanced performance:

- Pump Control
- Braking Control
  - Smart Motor Braking (SMB™)
  - Accu-Stop™
  - Slow Speed with Braking

These modes, features, and options are further described in this chapter.

① Latest revision

## Operation

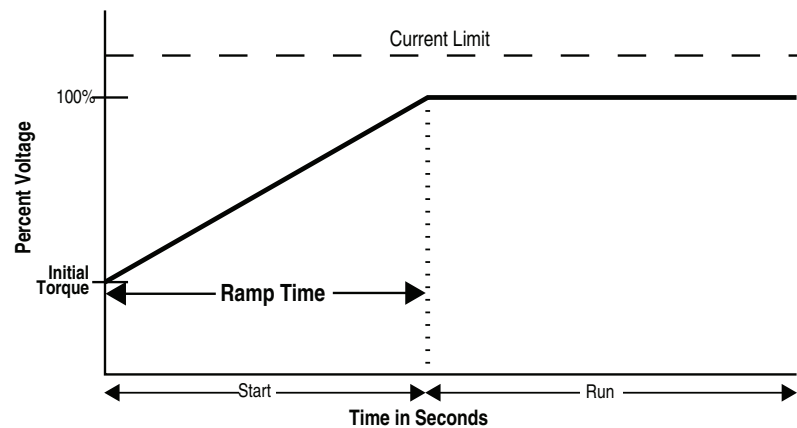
The SMC-Flex controller can operate standard squirrel-cage induction motors rated 1...1250 A or Star-delta (wye-delta) type motors rated 1.8...1600 A; up to 690V AC, 50/60 Hz. Depending upon the controller type ordered, the control power input can range from 100...240V AC to 24V AC/DC. Please verify voltage on product, before applying power.

## Modes of Operation (Standard)

### Soft Start <sup>①</sup>

This mode has the most general application. The motor is given an initial torque setting, which is user-adjustable from 0...90% of locked rotor torque. From the initial torque level, the output voltage to the motor is steplessly increased during the acceleration ramp time. The acceleration ramp time is user-adjustable from 0...30 seconds. If the SMC-Flex controller senses that the motor has reached the up-to-speed condition during the voltage ramp operation, the internal bypass contactor will be pulled in.

**Figure 1.1 Soft Start**

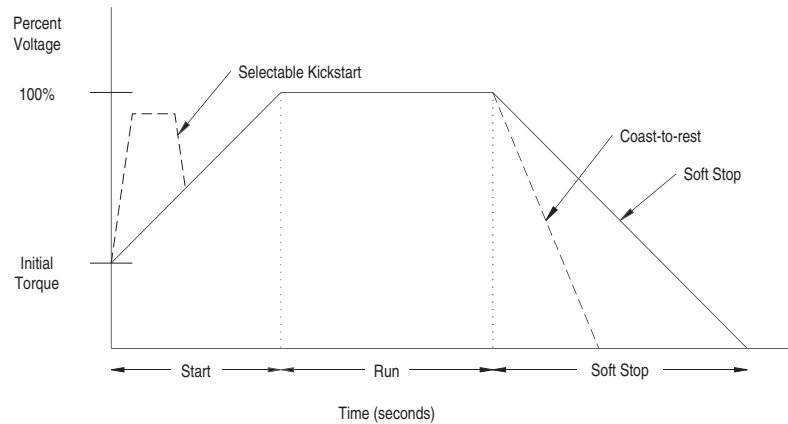


<sup>①</sup> Kickstart is also available with Soft Start.

## Selectable Kickstart

This feature provides a boost at startup to break away loads that require a pulse of high torque to get started. This is intended to provide a pulse of current that is selectable from 0...90% of locked rotor torque. Selectable kickstart is user-adjustable from 0.0...2.0 seconds.

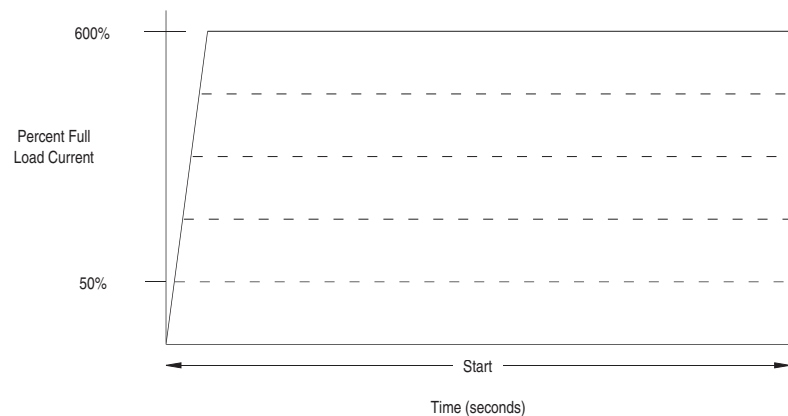
**Figure 1.2 Selectable Kickstart**



## Current Limit Start <sup>①</sup>

This starting mode provides a true current limit start; it is used when limiting maximum starting current is necessary. The Current Limit level is user-adjustable from 50...600% of the motor full load ampere rating; and the current limit time is user-adjustable from 0...30 seconds. If the SMC-Flex controller senses that the motor has reached the up-to-speed condition during the current limit starting mode, the internal bypass contactor will be pulled in.

**Figure 1.3 Current Limit Start**

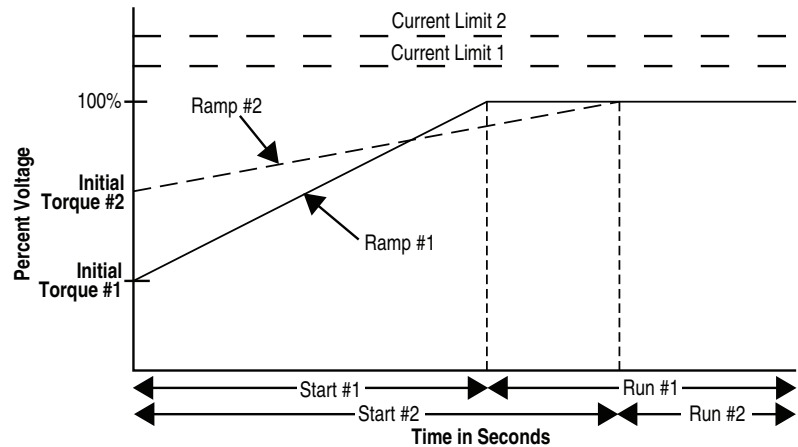


<sup>①</sup> Kickstart is also available with Current Limit Start.

### Dual Ramp Start <sup>①</sup>

This starting mode is useful on applications that have varying loads (and therefore varying starting torque requirements). Dual Ramp Start allows the user to select between two separate start profiles with separately adjustable ramp times and initial torque settings.

**Figure 1.4 Dual Ramp Start**

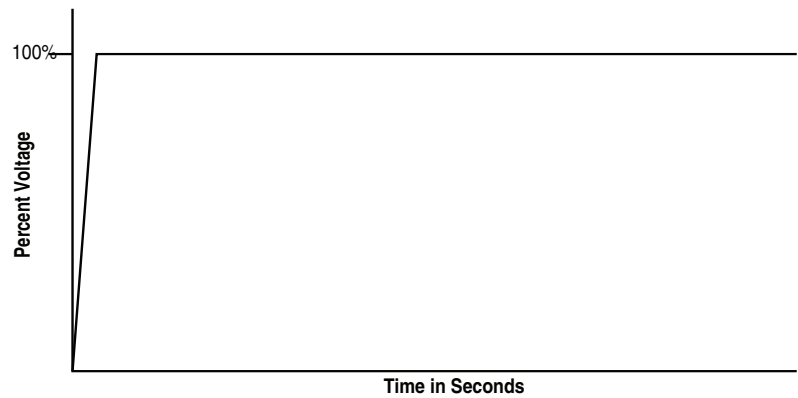


① Dual Ramp Start is available only with the standard controller.

### Full Voltage Start

This starting mode is used for applications requiring across-the-line starting. The output voltage to the motor will reach full voltage within 1/4 second.

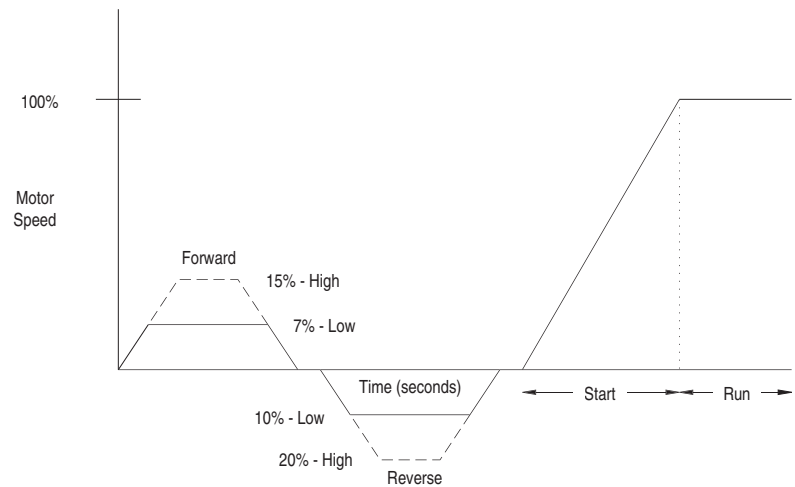
**Figure 1.5 Full Voltage Start**



## Preset Slow Speed

This option can be used in applications that require a slow speed jog for general purpose positioning. Preset Slow Speed provides either 7% of base speed (low) or 15% of base speed (high) settings in the forward direction. Reverse can also be programmed and offers 10% of base speed (low) and 20% of base speed (high) settings.

**Figure 1.6 Preset Slow Speed**



### ATTENTION

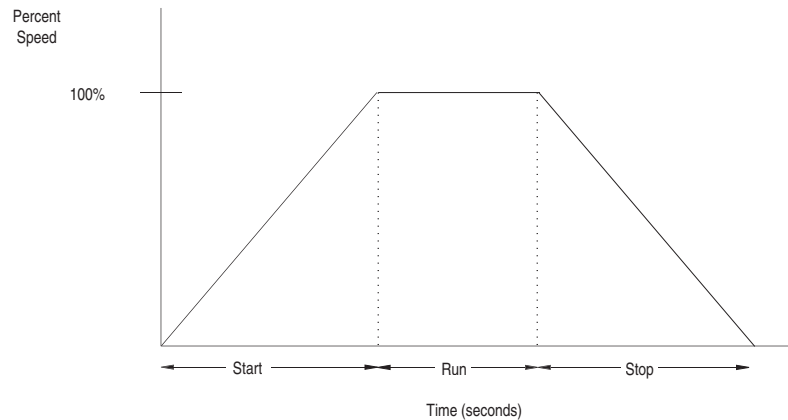
Slow speed running is not intended for continuous operation due to reduced motor cooling.



## Linear Speed Acceleration<sup>①</sup>

The SMC-Flex has the ability to control the motor speed during starting and stopping maneuvers. A tach input (0...5V DC) is required to perform this start mode. The start time is selectable from 0...30 seconds and determines the time the motor will ramp from 0 speed to full speed. Kickstart is available with this option.

**Figure 1.7 Linear Speed Acceleration**



<sup>①</sup> Kickstart is also available with Linear Speed Acceleration.

### ATTENTION



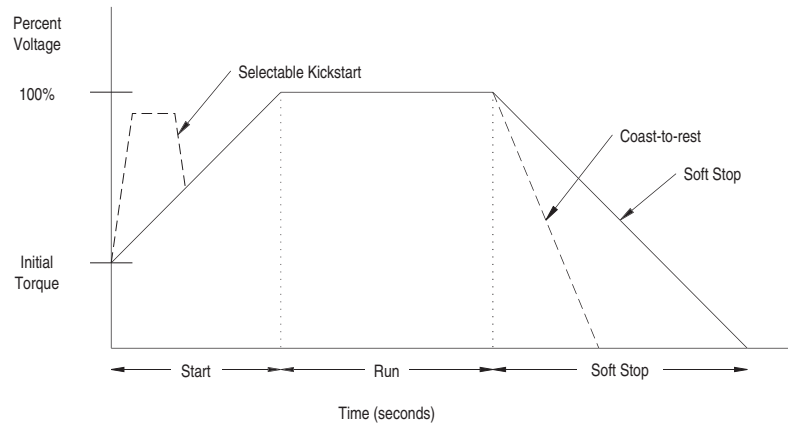
Linear Stop is not intended to be used as an emergency stop. Refer to the applicable standards for emergency stop requirements.

The Linear Stop does not need to be set up even if the linear start has been programmed. The Linear Stop can not brake the motor/load and reduce the stopping time.

## Soft Stop

This option can be used in applications that require an extended stop time. The voltage ramp down time is user-adjustable from 0...120 seconds and is adjusted independently from the starting time. The load will stop when the output voltage drops to a point where the load torque is greater than the developed motor torque.

**Figure 1.8 Soft Stop**



### ATTENTION

Soft Stop is not intended to be used as an emergency stop. Refer to the applicable standards for emergency stop requirements.



## Control Options

The SMC-Flex controller offers the control options described below.

**Important:** The options listed in this section are mutually exclusive and must be specified when ordering. An existing controller may be upgraded to another control option by replacing the control module. Consult your local Allen-Bradley distributor.

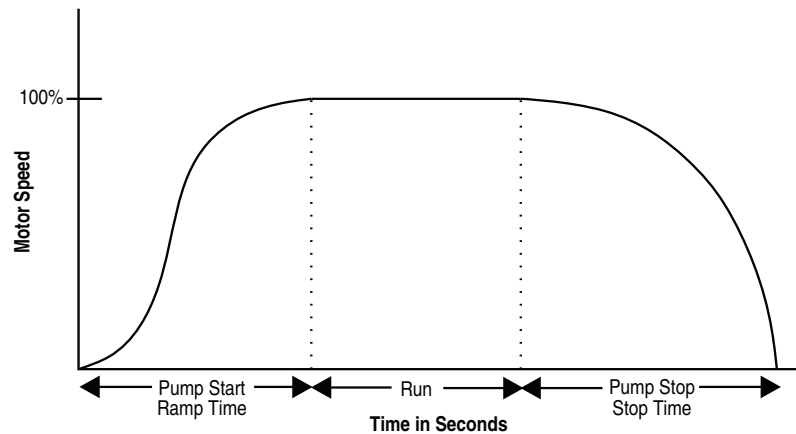
## Modes of Operation (Pump Control)

### Pump Control Option <sup>①</sup>

This option reduces surges during the starting and stopping of a centrifugal pump by smoothly accelerating and decelerating the motor. The microprocessor analyzes the motor variables and generates commands that control the motor and reduce the possibility of surges occurring in the system.

The starting time is programmable from 0...30 seconds, and the stopping time is programmable from 0...120 seconds.

**Figure 1.9 Pump Control Option**



<sup>①</sup> Kickstart is also available with Pump Control.

#### ATTENTION



Pump stopping is not intended to be used as an emergency stop. Refer to the applicable standard for emergency stop requirements.

#### ATTENTION



Pump stopping may cause motor heating depending on the mechanical dynamics of the pumping system. Therefore, select the lowest stopping time setting that will satisfactorily stop the pump.

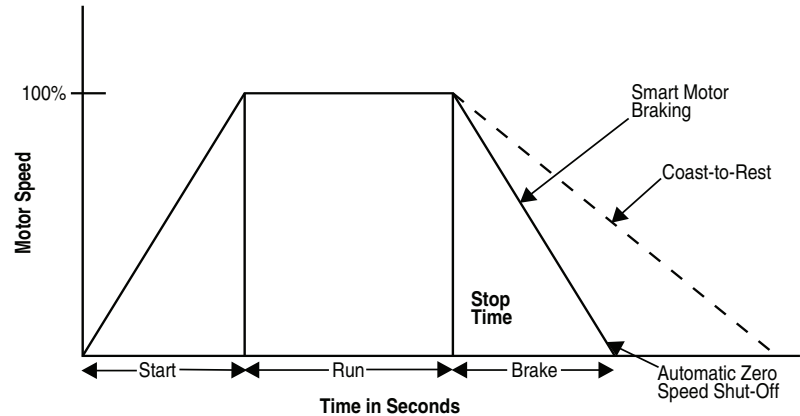


## Modes of Operation (Braking Control)

### SMB™ Smart Motor Braking Option

This option can be used in applications that require reduced stopping times. The SMC-Flex controller incorporates a microprocessor-based system that applies braking current to a motor without any additional equipment. This option offers a user-adjustable braking current setting from 0% to 400% of the motor's full load current rating. Further, it provides automatic shut-off at zero speed detection.

**Figure 1.10 SMB Smart Motor Braking Option**



**Note:** All braking current settings in the range of 1...100% will provide 100% braking current to the motor.

#### **ATTENTION**

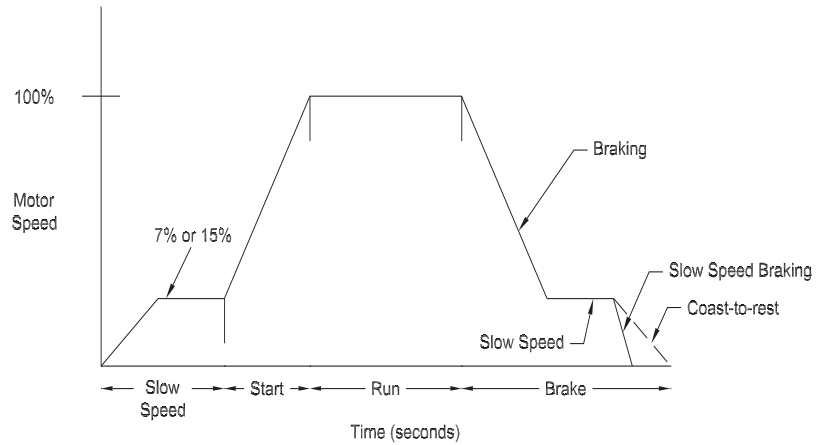


SMB Smart Motor Braking is not intended to be used as an emergency stop. Refer to applicable standards for emergency stop requirements.

### Accu-Stop™ Option

This option combines the benefits of the SMB Smart Motor Braking and Preset Slow Speed options. For general purpose positioning, the Accu-Stop option provides a brake from full speed to the preset slow speed setting, then brakes to stop.

**Figure 1.11 Accu-Stop Option**



**ATTENTION**

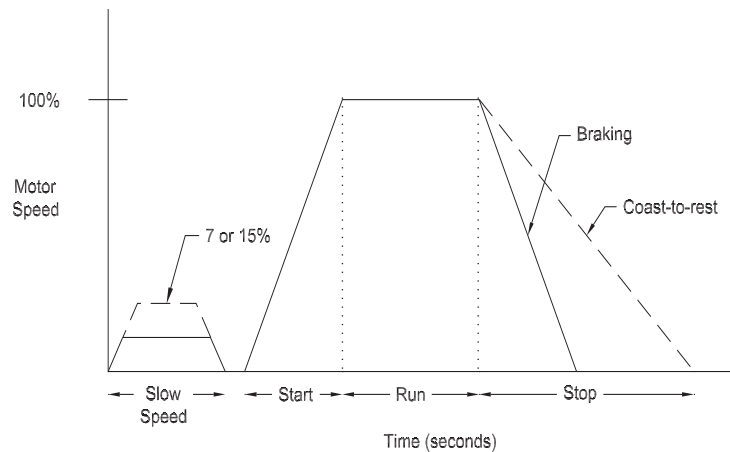


Accu-Stop and Slow Speed with Braking are not intended to be used as an emergency stop. Refer to applicable standards for emergency stop requirements.

### Slow Speed with Braking Option

The Slow Speed with Braking option provides a jog speed for process set-up and braking-to-stop at the end of the cycle.

**Figure 1.12 Slow Speed with Braking Option**



## Protection and Diagnostics

The SMC-Flex controller provides the protective and diagnostic features described below.

### Overload

The SMC-Flex controller meets applicable requirements as a motor overload protective device. Thermal memory provides added protection and is maintained even when control power is removed. The built-in overload controls the value stored in Parameter 12, Motor Thermal Usage; an Overload Fault will occur when this value reaches 100%. The programming parameters below provide application flexibility and easy setup.

Parameter	Range
Overload Class	Off, 10, 15, 20, 30
Overload Reset	Manual – Auto
Motor FLC	1.0...2200 A
Service Factor	0.01...1.99

- Notes:**
- (1) The factory default setting for Overload Class, which is 10, enables overload protection. The motor's full load current rating must be programmed to properly set overload protection.
  - (2) Automatic reset of an overload fault requires the start input to be cycled in a 2-wire control scheme.

The trip rating is 117% of the programmed FLC.

Figure 1.13 and Figure 1.14 provide the overload trip curves for the available trip classes.

### Underload <sup>①</sup>

Utilizing the underload protection of the SMC-Flex controller, motor operation can be halted if a sudden drop in current is sensed.

The SMC-Flex controller provides an adjustable underload trip setting from 0...99% of the programmed motor full load current rating. Trip delay time can be adjusted from 0...99 seconds.

<sup>①</sup> Underload protection is disabled during slow speed and braking operations.

Figure 1.13 Overload Trip Curves

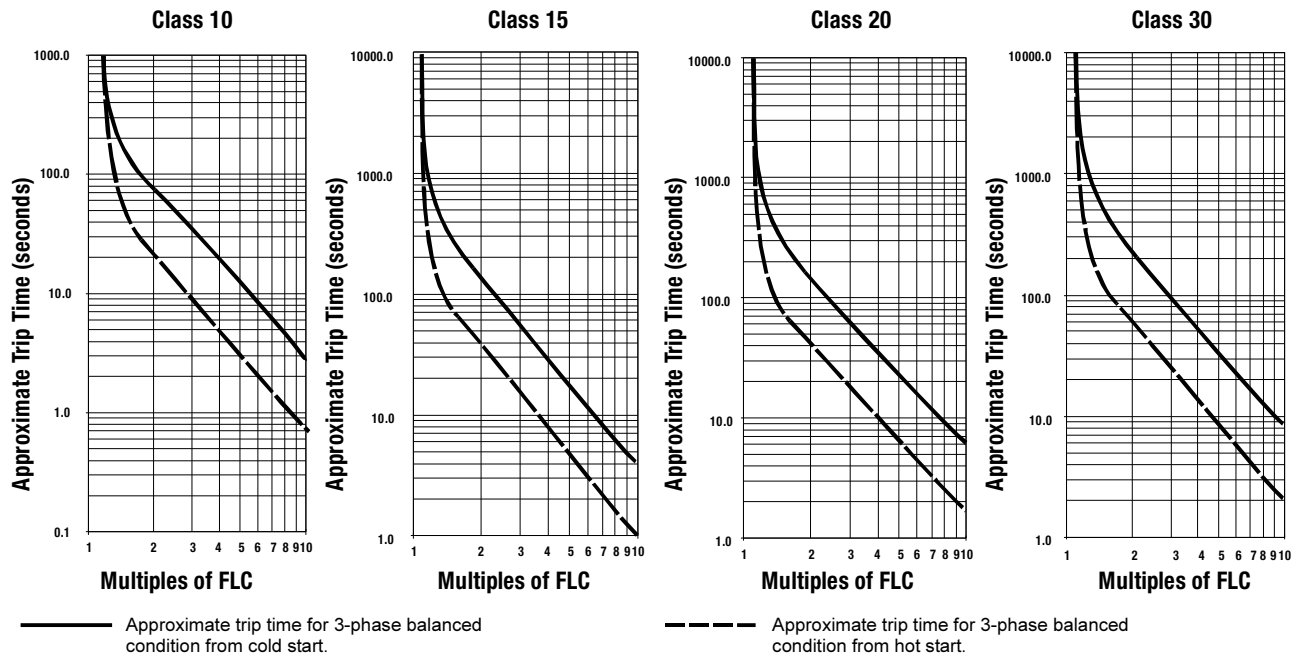
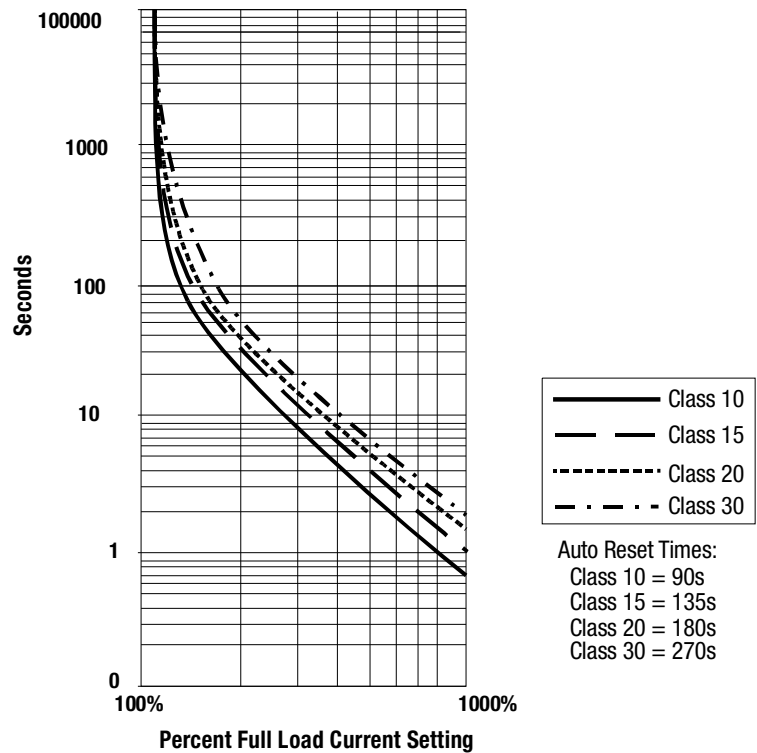


Figure 1.14 Restart Trip Curves after Auto Reset



## Undervoltage <sup>①</sup>

Utilizing the undervoltage protection of the SMC-Flex, motor operation can be halted if a sudden drop in voltage is detected.

The SMC-Flex controller provides an adjustable undervoltage trip setting from 0...99% of the programmed motor voltage. Trip delay time can be adjusted from 0...99 seconds.

An alarm (pre-fault) indication level can be programmed to indicate the unit is getting close to faulting. The alarm modification information is displayed through the LCD, HIM, Communication (if applicable) and alarm contact closing.

## Overvoltage <sup>①</sup>

Utilizing the overvoltage protection of the SMC-Flex, motor operation can be halted if a sudden increase in voltage is detected.

The SMC-Flex controller provides an adjustable overvoltage trip setting from 0...199% of the programmed motor voltage. Trip delay time can be adjusted from 0...99 seconds.

An alarm (pre-fault) indication level can be programmed to indicate the unit is getting close to faulting. The alarm modification information is displayed through the LCD, HIM, Communication (if applicable) and alarm contact closing.

## Unbalance <sup>①</sup>

The SMC-Flex is able to detect an unbalance in line voltages. Motor operation can be halted if the unbalance is greater than the desired range.

The SMC-Flex controller provides an adjustable unbalance setting from 0...25% of the line voltages. Trip delay time can be adjusted from 0...99 seconds.

An alarm (pre-fault) indication level can be programmed to indicate the unit is getting close to faulting. The alarm modification information is displayed through the LCD, HIM, Communication (if applicable) and alarm contact closing.

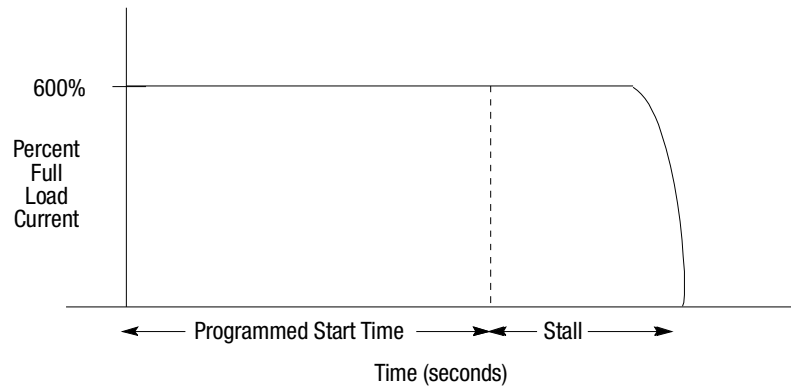
<sup>①</sup> Undervoltage, overvoltage, and voltage unbalance protection are disabled during braking operation.

## Stall Protection and Jam Detection

The SMC-Flex controller provides both stall protection and jam detection for enhanced motor and system protection.

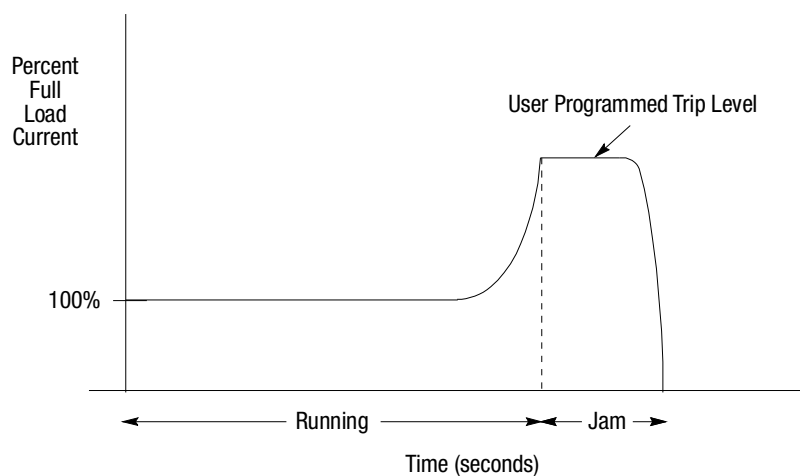
- Stall protection is user-adjustable from 0.0...10.0 seconds (in addition to the ramp time programmed).

**Figure 1.15 Stall Protection**



- An alarm (pre-fault) indication level can be programmed to indicate the unit is getting close to faulting. The alarm modification information is displayed through the LCD, HIM, Communication (if applicable) and alarm contact closing.
- Jam detection allows the user to determine the jam level (up to 1000% of the motor's FLC rating) and the delay time (up to 99.0 seconds) for application flexibility.

**Figure 1.16 Jam Detection** <sup>①②</sup>



- ① Jam detection is disabled during slow speed and braking operation.  
 ② Unit will self-protect in a jam condition.

## Ground Fault

In isolated or high impedance-grounded systems, core-balanced current sensors are typically used to detect low level ground faults caused by insulation breakdowns or entry of foreign objects. Detection of such ground faults can be used to interrupt the system to prevent further damage, or to alert the appropriate personnel to perform timely maintenance.

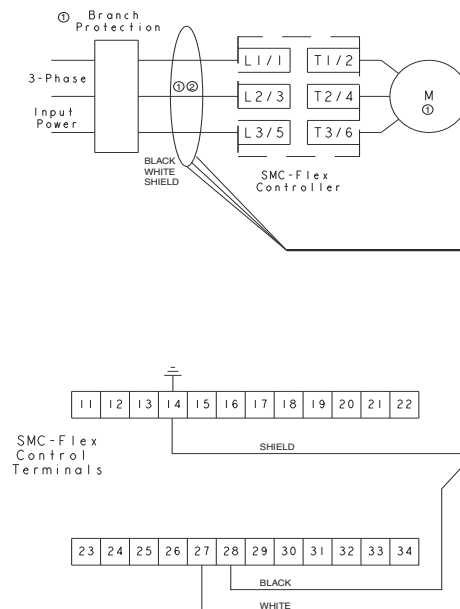
The SMC-Flex's ground fault detection capabilities require the use of external sensor. Installation of this sensor allows the option of enabling Ground Fault Trip, Ground Fault Alarm, or both.

For the 5...480 Amp devices, the recommended sensor is a Cat. No. 825-CBCT core balance current transformer for 1...5 A core-balanced ground fault protection.

For the 625...1250 A devices, the recommended sensor is shown below and provides 5...25 A core-balanced ground fault protection.

- Manufacturer: Allen-Bradley
- Description: 600 Volt-Rated Current Transformer
- Catalog Number: 1411-126-252
- Ratio: 2500:5

**Figure 1.17**



① Customer supplied.

② Cat. No. 825-CBCT or Flex-Core Cat. No. 126-252

**Note:** When connecting the ground fault sensors, the secondary of the CT should be shorted until the connection to the Flex control module is completed.

### Ground Fault Trip

The SMC-Flex will trip with a ground fault indication if:

- No other fault currently exists
- Ground fault protection is enabled
- *GF Inhibit Time* has expired
- *GF Current* is equal to or greater than the *GF Trip Level* for a time period greater than the *GF Trip Delay*

Parameter 75, *Gnd Flt Inh Time*, allows the installer to inhibit a ground fault trip from occurring during the motor starting sequence and is adjustable from 0...250 seconds.

Parameter 74, *Gnd Flt Delay*, allows the installer to define the time period a ground fault condition must be present before a trip occurs. It is adjustable from 0.1...250 seconds.

Parameter 73, *Gnd Flt Level*, allows the installer to define the ground fault current at which the SMC-Flex will trip. It is adjustable from 1.0...5.0 A or 5.0...25 A, depending on the service size.

**Important:** The ground fault inhibit timer starts after the maximum phase of load current transitions from 0 A to 30% of the device's minimum *FLA Setting* or the *GF Current* is greater than or equal to 0.5 A. The SMC-Flex does not begin monitoring for a ground fault condition until the *Gnd Flt Inh Time* expires.

### Ground Fault Alarm

The SMC-Flex will indicate a Ground Fault Alarm if:

- No warning currently exists
- Ground fault alarm is enabled
- *GF Inhibit Time* has expired
- *GF Current* is equal to or greater than the *Gnd Flt A Lvl*

Parameter 77, *Gnd Flt A Lvl*, allows the installer to define the ground fault current at which the SMC-Flex will indicate a warning. It is adjustable from 1.0...5.0 A or 5.0...25 A, depending on the service size.

Parameter 78, *Gnd Flt A Dly*, allows the installer to define the time period a ground fault alarm condition must be present before a trip occurs. It is adjustable from 0...250 seconds.



## Thermistor/PTC Protection

The SMC-Flex provides terminals 23 and 24 for the connection of positive temperature coefficient (PTC) thermistor sensors. PTC sensors are commonly embedded in motor stator windings to monitor the motor winding temperature. When the motor winding temperature reaches the PTC sensor's temperature rating, the PTC sensor's resistance transitions from a low to high value. Since PTC sensors react to actual temperature, enhanced motor protection can be provided to address such conditions as obstructed cooling and high ambient temperatures.

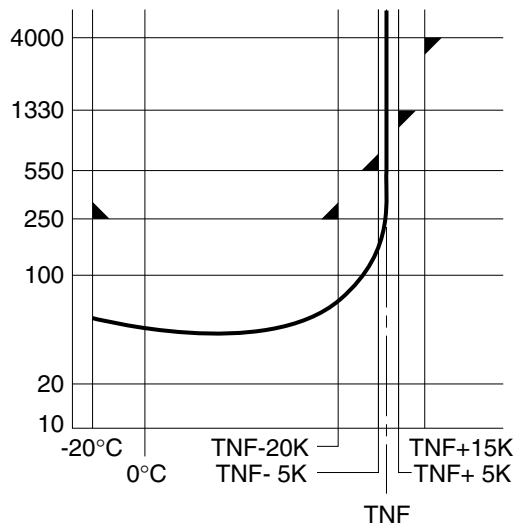
The following table defines the SMC-Flex PTC thermistor input and response ratings:

**Table 1.A PTC Input Ratings**

Response resistance	3400 $\Omega$ $\pm$ 150 $\Omega$
Reset resistance	1600 $\Omega$ $\pm$ 100 $\Omega$
Short-circuit Trip Resistance	25 $\Omega$ $\pm$ 10 $\Omega$
Maximum Voltage at PTC Terminals ( $R_{PTC} = 4k\Omega$ )	< 7.5V
Maximum Voltage at PTC Terminals ( $R_{PTC} = \text{open}$ )	30V
Maximum Number of Sensors	6
Maximum Cold Resistance of PTC Sensor Chain	1500 $\Omega$
Response Time	800 ms

The following figure illustrates the required PTC sensor characteristics, per IEC-34-11-2.

**Figure 1.18 PTC Sensor Characteristics per IEC-34-11-2**



### PTC Trip

The SMC-Flex will trip with a PTC indication if:

- No other fault currently exists
- PTC protection is enabled

- The resistance across terminals 23 and 24 is either greater than the relay's response resistance or less than the short-circuit trip resistance.

### **Excessive Starts/Hour**

The SMC-Flex controller allows the user to program the allowed number of starts per hour (up to 99). This helps eliminate motor stress caused by repeated starting over a short time period.

### **Overtemperature**

The SMC-Flex controller monitors the temperature of the SCRs and Bypass by using internal thermistors. When the power poles' maximum rated temperature is reached, the unit will shut down and restart is inhibited.

An overtemperature condition can indicate inadequate ventilation, high ambient temperature, overloading, or excessive cycling. After the temperature is reduced to allowable levels, the fault can be cleared.

### **Open Gate**

An open gate fault indicates that improper SCR firing, typically caused by an open SCR gate, has been detected on one of the power poles. Before the controller shuts down, it will attempt to start the motor a total of three times.

### **Line Faults**

The SMC-Flex controller continually monitors line conditions for abnormal factors. Pre-start protection includes:

- Line Fault (with phase indication)
  - Line voltage loss
  - Missing load connection
  - Shorted SCR

Running protection includes:

- Line Fault (no phase indication)
  - Line voltage loss
  - Missing load connection

Phase Reversal<sup>①</sup> protection can be toggled either On or Off.

① Phase Reversal protection is functional only at pre-start.

## Metering

Power monitoring parameters include:

- Three-phase current
- Three-phase voltage
- Power in kW
- Power usage in kWh
- Power factor
- Motor thermal capacity usage
- Elapsed time

**Notes:** (1) Voltage measurement is not available during the braking operation of the SMB Smart Motor Braking, Accu-Stop, and Slow Speed with Braking control options.  
(2) The elapsed time and kWh values are automatically saved to memory every 12 hours.  
(3) Motor thermal capacity usage is determined by the built-in electronic thermal overload. An overload fault occurs when this value reaches 100%.

## I/O

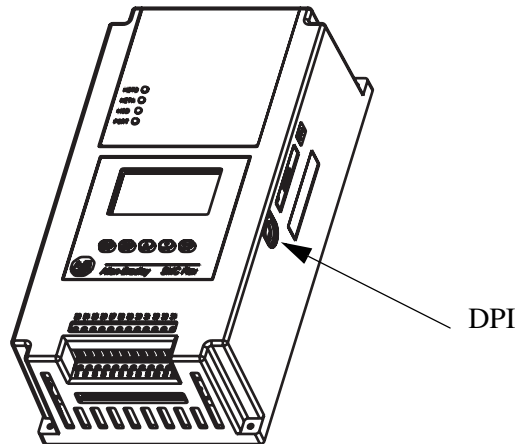
The SMC-Flex has the ability to accept up to two (2) inputs and four (4) outputs controlled over a network. The two inputs are controlled at terminal 16 (Option Input #1), and terminal 15 (Option Input #2). For these two inputs, see Chapter 4 for the parameter settings and see Chapter 7 for the bit identification. By using these two terminals as inputs, the Stop Input will need to be programmed to meet the desired stop functionality.

The four (4) outputs are Aux #1, Aux #2, Aux #3, and Aux #4. All auxiliary contacts are programmable to the function found on page 4-14. If programmed to Network or Network NC, they can be controlled over a Network. Please see Table 7.H that defines the Logic Command Word (Control).

## Communication

A serial interface port (DPI) is provided as standard, which allows connection to the Bulletin 20-HIM LCD interface modules.

**Figure 1.19 DPI Location**



**ATTENTION**

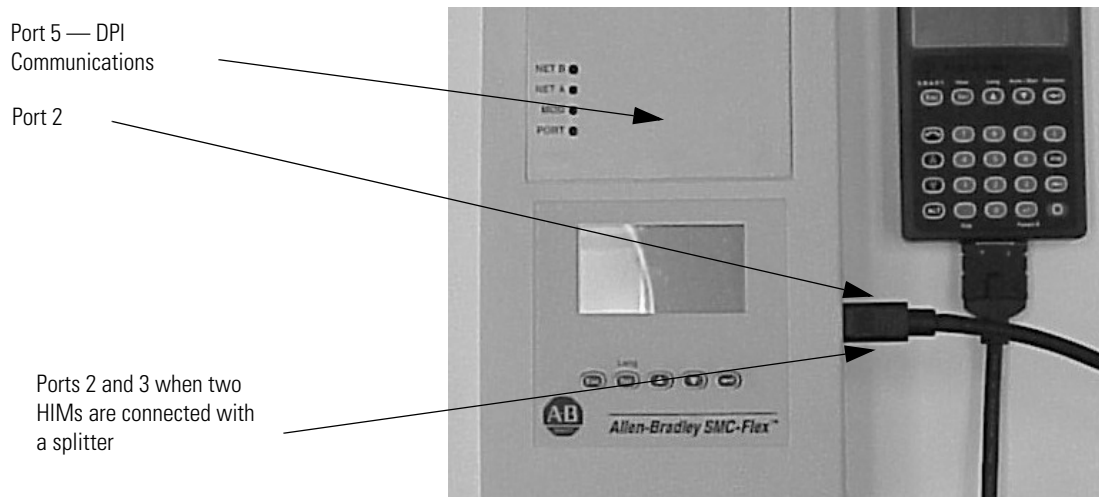
Two peripheral devices can be connected to the DPI. The maximum output current through the DPI is 280 mA.



## Programming

Setup is easy with the built-in keypad and three-line, sixteen character backlit LCD. Parameters are organized in a three-level menu structure, using a text format for straightforward programming.

**Figure 1.20 Built-in Keypad and LCD**

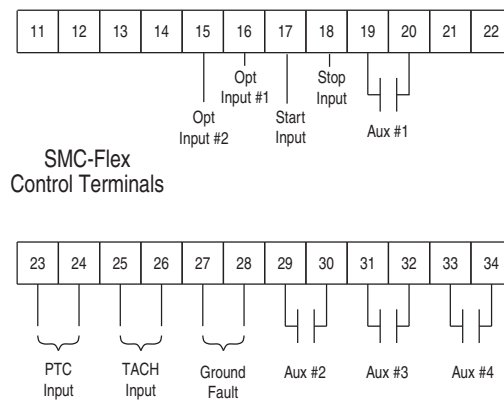


## Status Indication

Four programmable hard contact outputs are provided as standard. All auxiliary contacts are programmable for the following states:

- Normal (N.O./N.C.)
- Up-to-Speed (N.O./N.C.)
- Alarm (N.O./N.C.)
- Fault (N.O./N.C.)
- Network Control (N.O./N.C.)
- External Bypass (N.O.)

**Figure 1.21 Control Terminals**



Network inputs can be obtained through proper programming of Option Input #1 and Option Input #2.

## Notes

## Installation

### Degree of Protection

The SMC-Flex soft starters have an IP00 or IP2X protection rating, depending on the size. Taking into account the ambient conditions, the device must be installed in IP54 (Type 2) switchgear cabinets. Make sure that no dust, liquids, or conductive parts can enter the soft starter. Soft starter operation produces waste heat (heat loss). See Table 2.A or *Specifications* on page A-9, for details.

### Receiving

It is the user's responsibility to thoroughly inspect the equipment before accepting the shipment from the freight company. Check the item(s) received against the purchase order. If any items are damaged, it is the responsibility of the user not to accept delivery until the freight agent has noted the damage on the freight bill. Should any concealed damage be found during unpacking, it is again the responsibility of the user to notify the freight agent. The shipping container must be left intact and the freight agent should be requested to make a visual inspection of the equipment.

### Unpacking

Remove all packing material, wedges, or braces from within and around the controller.

### Inspecting

After unpacking, check the item(s') nameplate catalog number against the purchase order.

### Storing

The controller should remain in its shipping container prior to installation. If the equipment is not to be used for a period of time, it must be stored according to the following instructions in order to maintain warranty coverage.

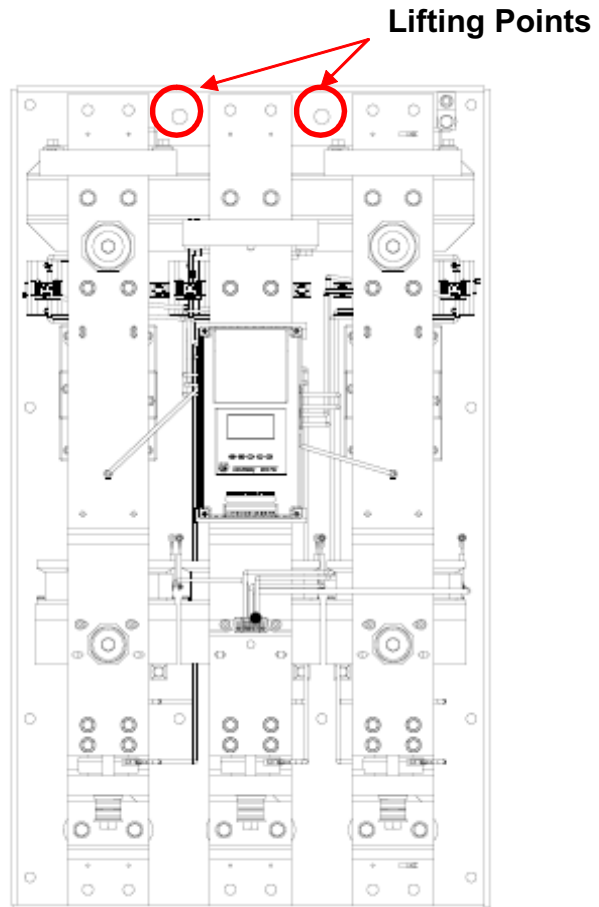
- Store in a clean, dry location.
- Store within an ambient temperature range of  $-20^{\circ}\text{C}$  to  $+75^{\circ}\text{C}$  ( $-4^{\circ}\text{F}$  to  $+167^{\circ}\text{F}$ ).
- Store within a relative humidity range of 0% to 95%, noncondensing.
- Do not store equipment where it could be exposed to a corrosive atmosphere.
- Do not store equipment in a construction area.

### Lifting

For controllers rated 625...1250 A, the device should only be lifted from designated lifting points. The lifting points are designed to accept a ½ -13 threaded hoist ring capable of lifting 2500 pounds. These points are identified in Figure 2.1.



Figure 2.1 Lifting Points





## General Precautions

In addition to the precautions listed throughout this manual, the following statements, which are general to the system, must be read and understood.

**ATTENTION**



The controller contains ESD- (electrostatic discharge) sensitive parts and assemblies. Static control precautions are required when installing, testing, servicing, or repairing the assembly. Component damage may result if ESD control procedures are not followed. If you are not familiar with static control procedures, refer to applicable ESD protection handbooks.

**ATTENTION**



An incorrectly applied or installed controller can damage components or reduce product life. Wiring or application errors, such as undersizing the motor, incorrect or inadequate AC supply, or excessive ambient temperatures, may result in malfunction of the system.

**ATTENTION**



Only personnel familiar with the controller and associated machinery should plan or implement the installation, start-up, and subsequent maintenance of the system. Failure to do this may result in personal injury and/or equipment damage.

**ATTENTION**



Hazardous voltages that can cause shock, burn, or death are present on L1, L2, L3, T1, T2, T3, T4, T5, and T6.

Power terminal covers can be installed to prevent inadvertent contact with terminals. Disconnect the main power before servicing the motor controller or associated wiring.

## Heat Dissipation

The following table provides the maximum heat dissipation at rated current for the controllers. For currents lower than rated value, heat dissipation will be reduced.

**Table 2.A Maximum Heat Dissipation**

SMC Rating	5 A	25 A	43 A	60 A	85 A	108 A	135 A	201 A	251 A	317 A	361 A	480 A	625 A	700 A	970 A	1250 A
Max. Watts	70	70	81	97	129	91	104	180	198	225	245	290	446	590	812	1222

## Enclosures

The open-style design of the SMC-Flex controller requires that it be installed in an enclosure. **The internal temperature of the enclosure must be kept within the range of 0...50°C.**

For Type 12 (IP54) enclosures, the following guidelines are recommended to limit the maximum controller ambient temperature.

There should be a clearance of at least 15 cm (6 in.) above and below the controller. This area allows air to flow through the heatsink.

**Table 2.B Minimum Enclosure Size ①**

Controller Rating (A)	IP65 (Type 4/12)		
	B Height	A Width	C Depth
<b>Non-Combination Controller [mm (in.)]</b>			
5	610 (24)	406 (16)	254 (10)
25	610 (24)	406 (16)	254 (10)
43	610 (24)	406 (16)	254 (10)
60	610 (24)	406 (16)	254 (10)
85	610 (24)	406 (16)	254 (10)
108	762 (30)	610 (24)	305 (12)
135	762 (30)	610 (24)	305 (12)
201	965 (38)	762 (30)	356 (14)
251	965 (38)	762 (30)	356 (14)
317	1295 (51)	914 (36)	356 (14)
361	1295 (51)	914 (36)	356 (14)
480	1295 (51)	914 (36)	356 (14)
625	2286 (90)	889 (35)	508 (20)
780	2286 (90)	889 (35)	508 (20)
<b>Combination Controllers with Fusible Disconnect</b>			
5	610 (24)	406 (16)	254 (10)
25	610 (24)	406 (16)	254 (10)
43	610 (24)	406 (16)	254 (10)
60	610 (24)	406 (16)	254 (10)
85	610 (24)	406 (16)	254 (10)
108	965 (38)	762 (30)	356 (14)
135	965 (38)	762 (30)	356 (14)
201	965 (38)	762 (30)	356 (14)
251	965 (38)	762 (30)	356 (14)
317	1524 (60)	965 (38)	356 (14)
361	1524 (60)	965 (38)	356 (14)
480 ①	1524 (60)	965 (38)	356 (14)
480 ②	2286 (90)	889 (35)	508 (20)
625	2286 (90)	1397 (55)	508 (20)
780	2286 (90)	1397 (55)	508 (20)
<b>Combination Controllers with Circuit Breaker</b>			
5	610 (24)	406 (16)	254 (10)
25	610 (24)	406 (16)	254 (10)
43	610 (24)	406 (16)	254 (10)
60	610 (24)	406 (16)	254 (10)
85	610 (24)	406 (16)	254 (10)
108	965 (38)	762 (30)	356 (14)
135	965 (38)	762 (30)	356 (14)
201	965 (38)	762 (30)	356 (14)
251	965 (38)	762 (30)	356 (14)
317	1295 (51)	914 (36)	356 (14)
361	1295 (51)	914 (36)	356 (14)
480	1295 (51)	914 (36)	356 (14)
625	2286 (90)	1397 (55)	508 (20)
780	2286 (90)	1397 (55)	508 (20)

① Larger enclosure may be required based on options selected. Consult your local Rockwell Automation Sales office or Allen-Bradley distributor.

② Use this row for 460V -58 and 575V -59.

③ Use this row for 460V -59 and 575V -60 and -61.

## Mounting

All units are fan cooled. It is important to locate the controller in a position that allows air to flow vertically through the power module. **The controller must be mounted in a vertical plane and have a minimum of 15 cm (6 in.) free space above and below the controller.**

When drilling or installing near the softstarter, make sure that adequate measures are taken to protect the device from dust and debris. See Figure 2.2.

**Figure 2.2 SMC-Flex Mounting Protection**

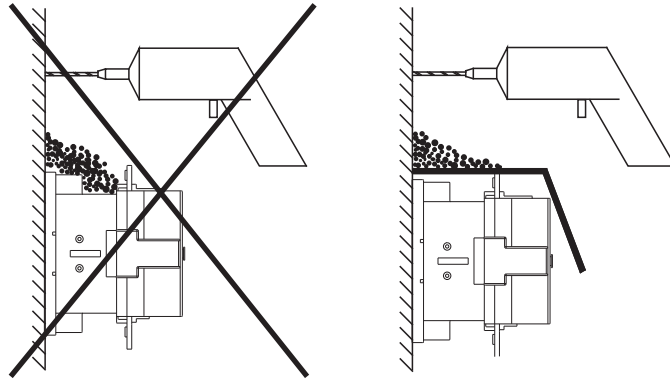
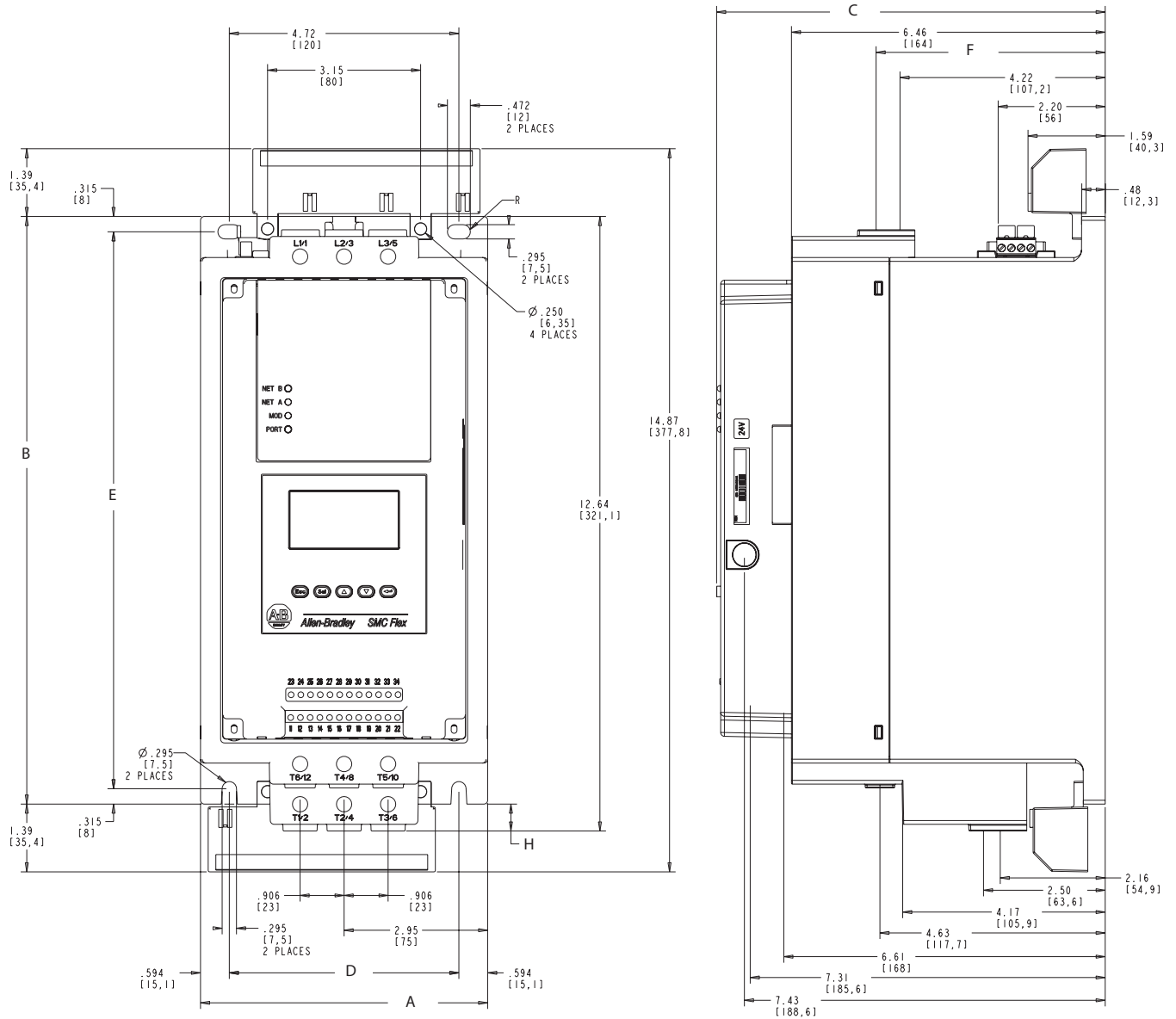


Figure 2.3 Dimensions: 5...85 A Controllers

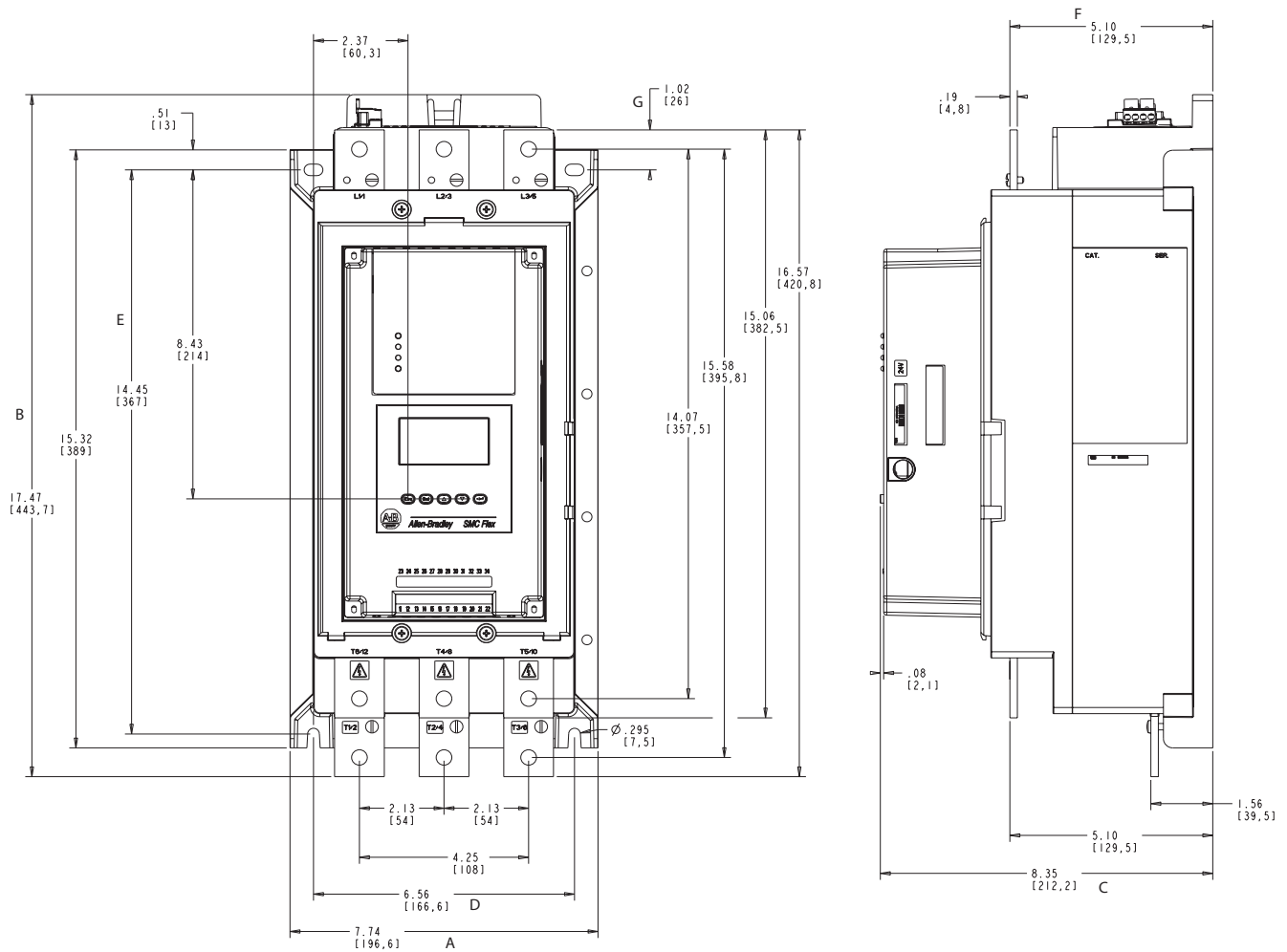


NOTE:  
 1) DIMENSIONS IN INCHES [MILLIMETERS].  
 2) DIMENSIONS ARE NOT INTENDED TO BE USED FOR MANUFACTURING PURPOSES.

	Unit	A Width	B Height	C Depth	D	E	F	H	Approx. Ship. Wt.
5...85 A Controller	mm	150.1	307	203.1	120	291	119.8	14.1	5.7 kg
	in.	5.91	12.09	8.00	4.72	11.46	4.72	0.56	12.6 lb.

All dimensions are approximate and are not intended for manufacturing purposes. Consult your local Allen-Bradley distributor for complete dimension drawings.

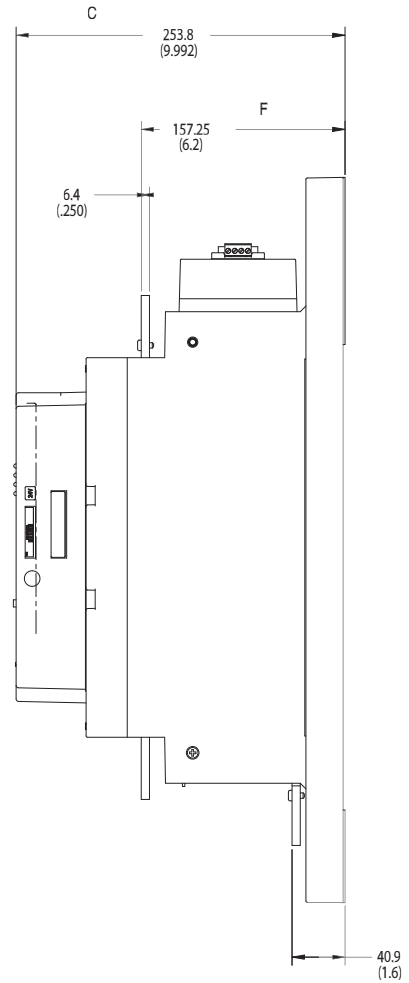
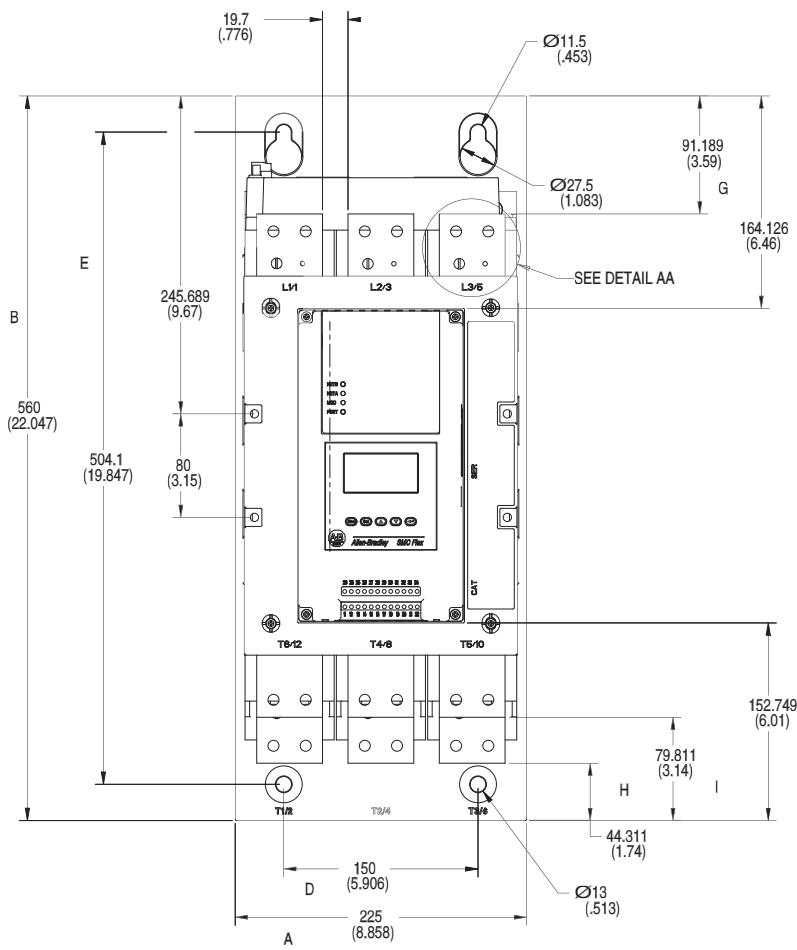
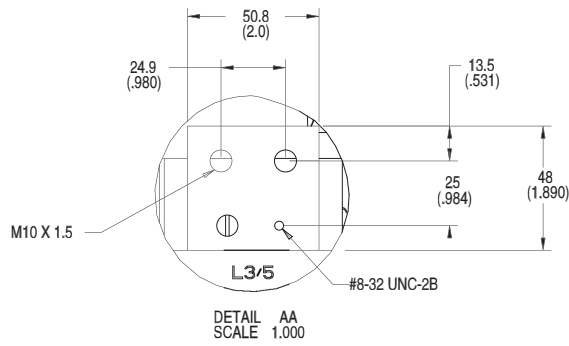
Figure 2.4 Dimensions: 108...135 A Controllers



	Unit	A Width	B Height	C Depth	D	E	F	G	Approx. Ship. Wt.
108...135 A Controller	mm	196.4	443.7	212.2	166.6	367	129.5	26	15 kg
	in.	7.74	17.47	8.35	6.56	14.45	5.10	1.02	33 lb.

All dimensions are approximate and are not intended for manufacturing purposes. Consult your local Allen-Bradley distributor for complete dimension drawings.

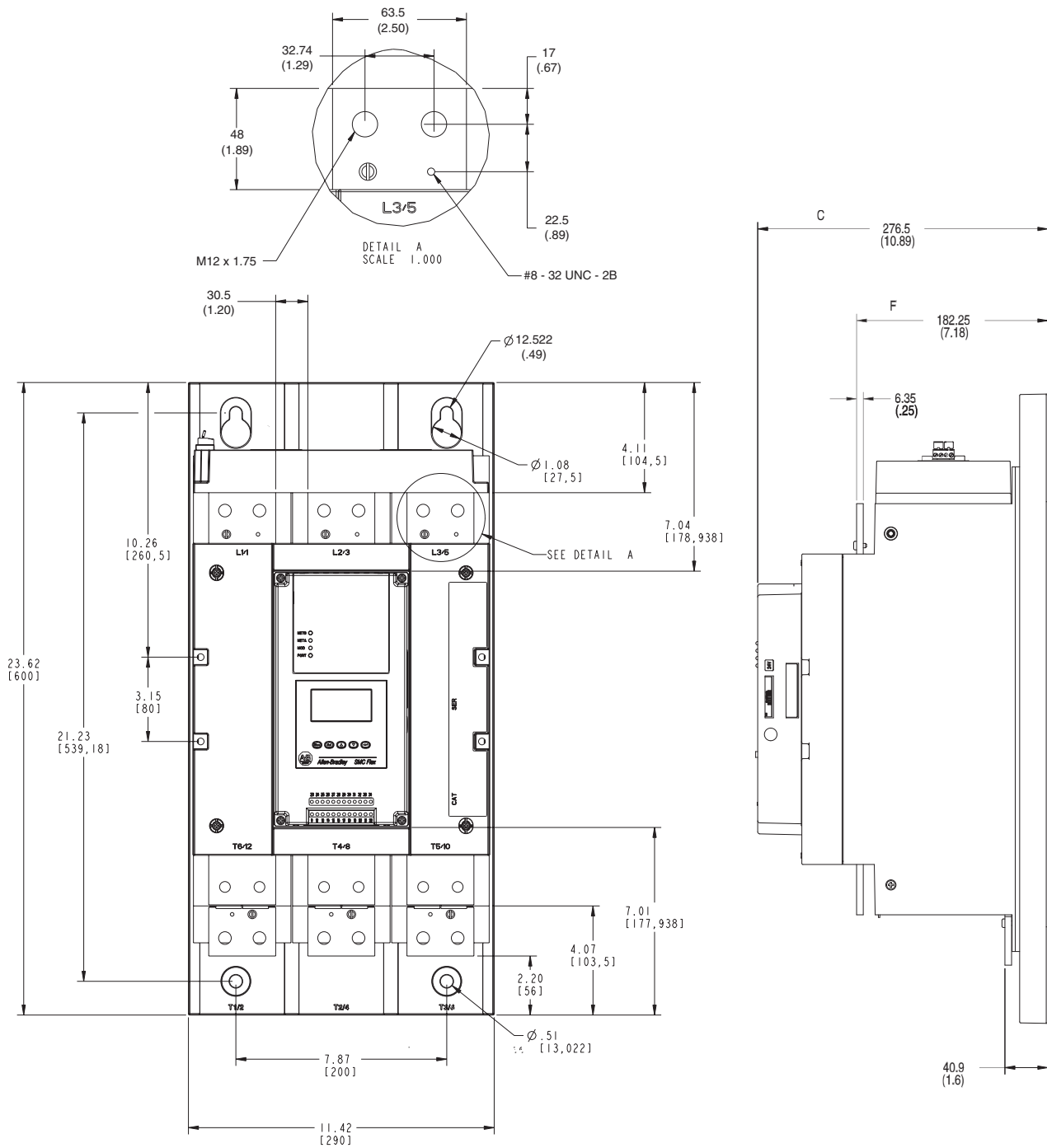
Figure 2.5 Dimensions: 201...251 A Controllers



	Unit	A Width	B Height	C Depth	D	E	F	G	H	I	Approx. Ship. Wt.
201...251 A Controller	mm	225	560	253.8	150	504.1	157.25	91.189	44.311	79.811	30.4 kg
	in.	8.858	22.047	9.992	5.906	19.847	6.2	3.59	1.74	3.14	67 lb.

All dimensions are approximate and are not intended for manufacturing purposes. Consult your local Allen-Bradley distributor for complete dimension drawings.

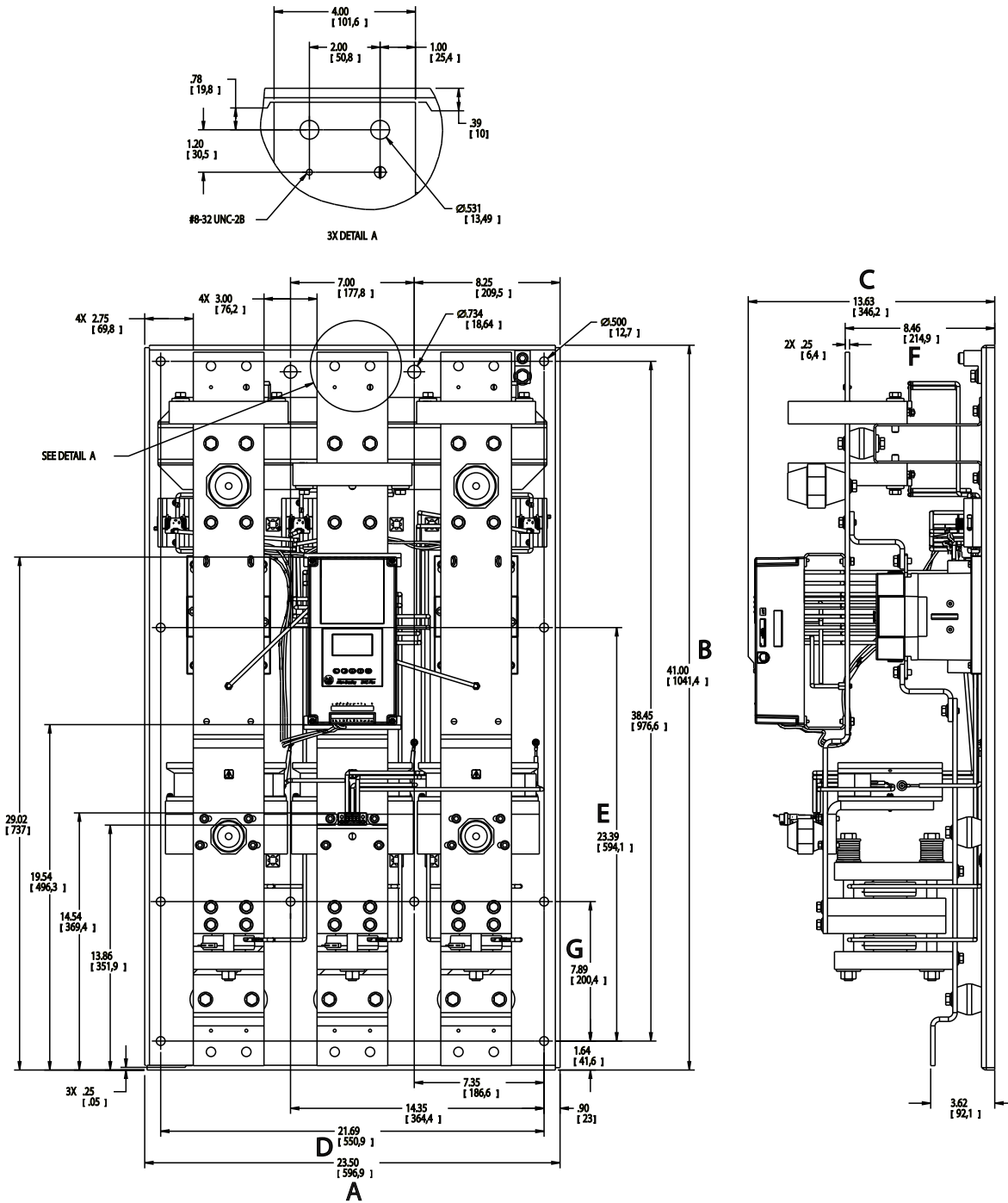
Figure 2.6 Dimensions: 317...480 A Controllers



	Unit	A Width	B Height	C Depth	D	E	F	G	H	I	Approx. Ship. Wt.
317...480 A Controller	mm	290	600	276.5	200	539.18	182.25	104.5	55.5	103.5	45.8 kg
	in.	11.42	23.62	10.89	7.87	21.23	7.18	4.11	2.19	4.07	101 lb.

All dimensions are approximate and are not intended for manufacturing purposes. Consult your local Allen-Bradley distributor for complete dimension drawings.

Figure 2.7 Dimensions: 625...780 A Controllers



	Unit	A Width	B Height	C Depth	D	E	F	G	Approx. Ship. Wt.
625...780 A Controller	mm	596.9	1041.4	346.2	550.9	594.1	214.9	200.4	179 kg
	in.	23.5	41.0	13.63	21.69	23.39	8.46	7.89	395 lb.

All dimensions are approximate and are not intended for manufacturing purposes. Consult your local Allen-Bradley distributor for complete dimension drawings.





## Power Factor Correction Capacitors

The controller can be installed on a system with power factor correction (PFC) capacitors. The capacitors **must** be located on the line side of the controller. This must be done to prevent damage to the SCRs in the SMC-Flex controller.

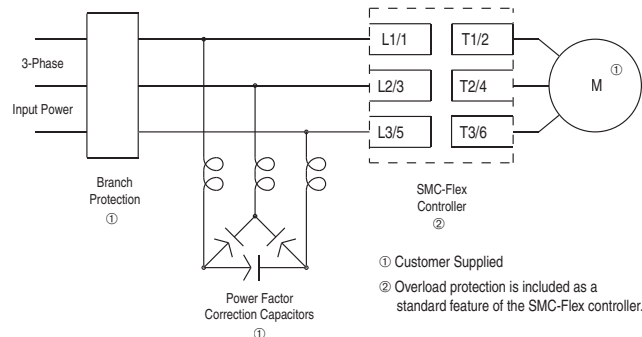
When discharged, a capacitor essentially has zero impedance. For switching, sufficient impedance should be connected in series with the capacitor bank to limit the inrush current. One method for limiting the surge current is to add inductance in the capacitor's conductors. This can be accomplished by creating turns or coils in the power connections to the capacitors.

- 250V — 15 cm (6 in.) diameter coil, 6 loops
- 480...690V — 15 cm (6 in.) diameter coil, 8 loops

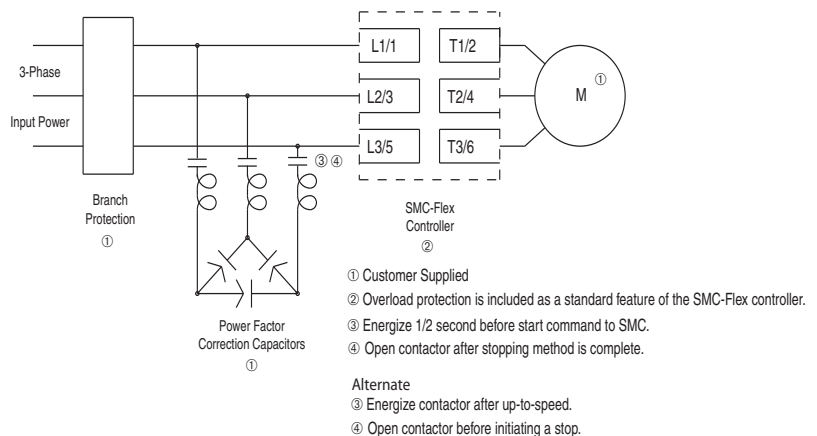
Take care in mounting the coils so that they are not stacked directly on top of each other; stacking will cause a cancelling effect. Also, mount the coils on insulated supports away from metal parts so they will not act as induction heaters. If an isolation contactor is used, put capacitors in front of contactor.

**Note:** For further instructions, consult the PFC capacitor vendor.

**Figure 2.9 Typical Wiring Diagram for Power Factor Correction Capacitors**



**Figure 2.10 Typical Wiring Diagram for Power Factor Correction Capacitors and Contactor**



## Protective Modules

Protective modules containing metal oxide varistors (MOVs) can be installed on controllers rated 5...1250 A and 200...600V, to protect the power components from electrical transients. The protective modules clip voltage transients generated on the lines to prevent such surges from damaging the SCRs.

---

**ATTENTION**

When installing or inspecting the protective module, make sure that the controller has been disconnected from the power source. The protective module should be inspected periodically for damage or discoloration. Replace if necessary.

---

## Motor Overload Protection

Thermal motor overload protection is provided as standard with the SMC-Flex controller. If the overload trip class is less than the acceleration time of the motor, nuisance tripping may occur.

---

**ATTENTION**

Overload protection should be properly coordinated with the motor.

---

Two applications require special consideration: two-speed motors, and multi-motor protection.

### Two-speed Motors

The SMC-Flex controller has overload protection available for single speed motors. When the SMC-Flex controller is applied to a two-speed motor, the Overload Class parameter must be programmed to OFF and separate overload relays must be provided for each speed.

### Multi-motor Protection

If the SMC-Flex controller is controlling more than one motor, individual overload protection is required for each motor.

---

## Electromagnetic Compatibility (EMC)

---

**ATTENTION**

This product has been designed for Class A equipment. Use of the product in domestic environments may cause radio interference, in which case, the installer may need to employ additional mitigation methods.

---

The following guidelines are provided for EMC installation compliance.

### Enclosure

Install the product in a grounded metal enclosure.

### Wiring

Wire in an industrial control application can be divided into three groups: power, control, and signal. The following recommendations for physical separation between these groups is provided to reduce the coupling effect.

- Different wire groups should cross at 90° inside an enclosure.
- Minimum spacing between different wire groups in the same tray should be 16 cm (6 in.).
- Wire runs outside an enclosure should be run in conduit or have shielding/armor with equivalent attenuation.
- Different wire groups should be run in separate conduits.
- Minimum spacing between conduits containing different wire groups should be 8 cm (3 in.).
- For additional guidelines, please refer to Wiring and Ground guidelines, publication DRIVES-IN001A-EN-P.

### Additional Requirements

- If linear acceleration is used, a separate conduit or wire way should be used for the tachometer leads.
- Wire earth ground to control terminal 14.
- Use shielded wire for PTC, Tachometer, and ground fault input.
- Terminate shielded wires to terminal 14.
- Ground fault CT must be inside or within 3 m of metal enclosure.

To meet product susceptibility requirements, ferrite cores need to be added to the communication lines. When using an external HIM (or DPI interface), a core should be added to the HIM cable near the SMC-Flex control module. The recommended core is Fair-Rite no. 0431167281 or equivalent. When using a DeviceNet circuit, two cores need to be added to the DeviceNet cable near the SMC-Flex control module. The recommended cores are TDK ZCAT2023 0930H and TDK ZCAT2035 0930 or equivalent. All cores specified are the split type cores and can be added to existing connections.

## Wiring

### Terminal Locations

The SMC-Flex controller wiring terminal locations are shown in Figure 3.1 and Figure 3.2. Make wiring connections as indicated in the typical connection diagrams. Incoming three-phase power connections are made to terminals L1/1, L2/3, and L3/5. Load connections to Line motors are made to T1/2, T2/4, and T3/6, while load connections to Wye-Delta motors are made to T1/2, T2/4, T3/6, T4/8, T5/10, and T6/12.

Figure 3.1 Wiring Terminal Locations (5...85 A)

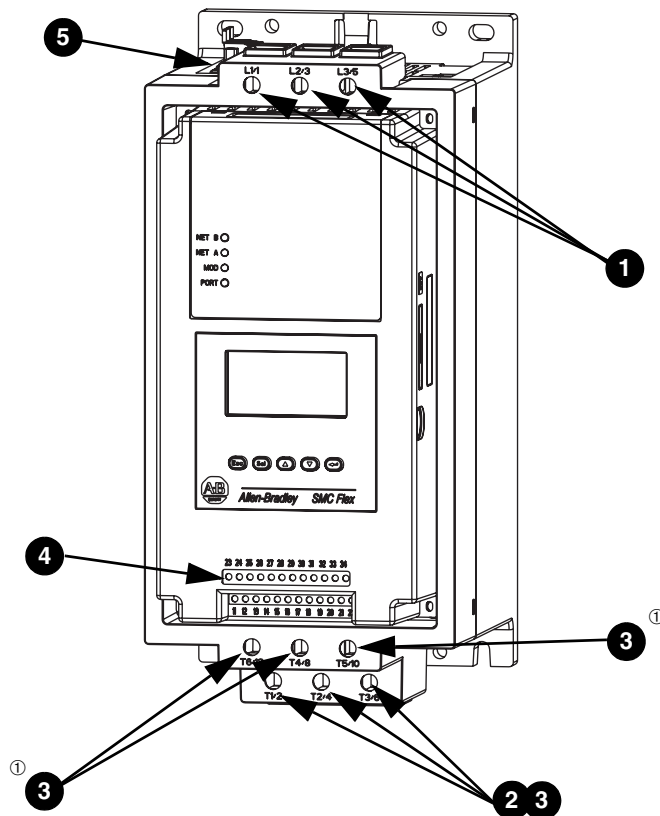


Table 3.A Wiring Terminal Locations

1	Incoming Line Termination
2	Line Motor Connections
3	Delta Motor Connections
4	Control Terminations
5	Fan Terminations

① IP20 protective covers on Delta termination must be removed when connecting in a Delta configuration.

Figure 3.2 Wiring Terminal Locations (108...480 A)

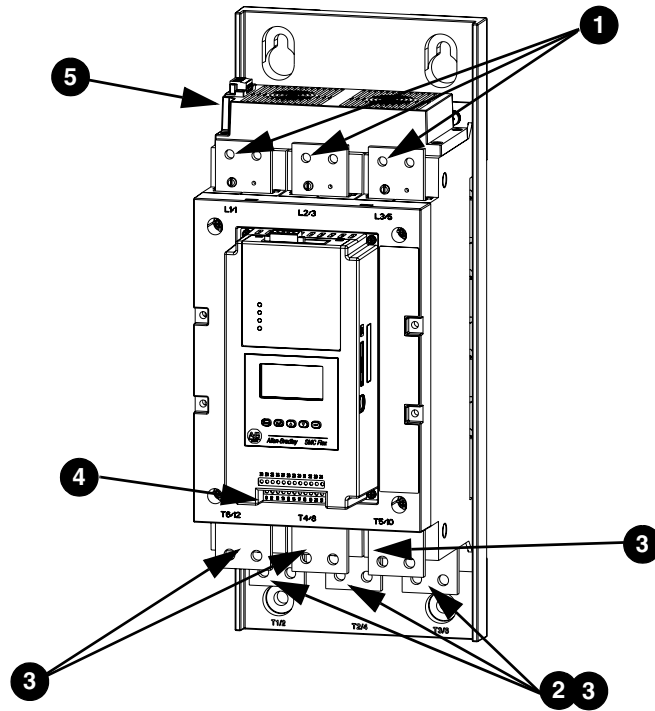
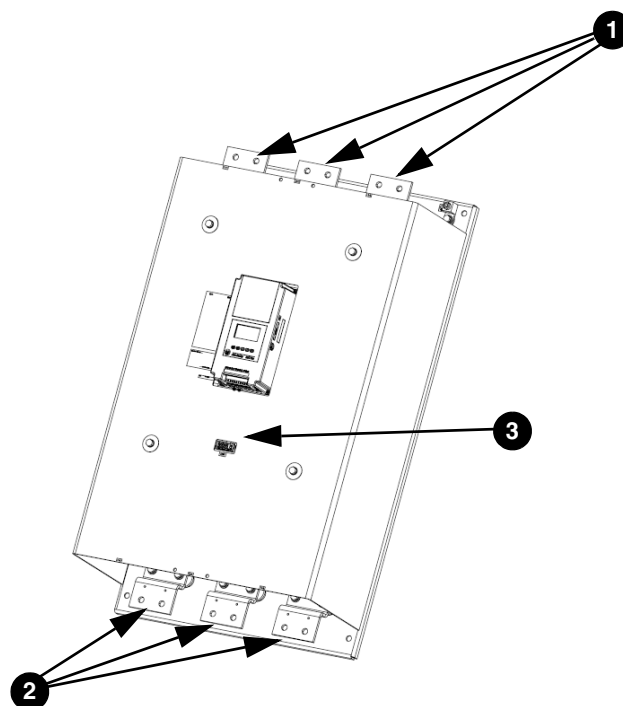


Table 3.A Wiring Terminal Locations

1	Incoming Line Termination
2	Line Motor Connections
3	Delta Motor Connections
4	Control Terminations
5	Fan Terminations

**Figure 3.3 Wiring Terminal Locations (625...1250 A)****Table 3.B Wiring Terminal Locations**

1	Incoming Line Terminations
2	Line Motor Connections
3	Terminal Block CP1 - Common Control Power Connections (Fans, Contactors, and Control Modules)

## Power Structure

The SMC-Flex product has an integrated mechanical run contactor on each phase of the motor to minimize heat generation during run time. These contacts are pulled in sequentially in the 108...1250 A units. In the 5...85 A units, these contacts are pulled in, all at once. The SMC-Flex product also has a Current Transformer (CT), built in on each phase of the motor to provide current readings.

### Power Wiring

Refer to the product nameplate or User Manual for power lug termination information including:

- Lug wire capacity
- Tightening torque requirements
- Lug kit catalog numbers (108...1250 A)

**ATTENTION**

Failure of solid state power switching components can cause overheating due to a single-phase condition in the motor. To prevent injury or equipment damage, the following is recommended:

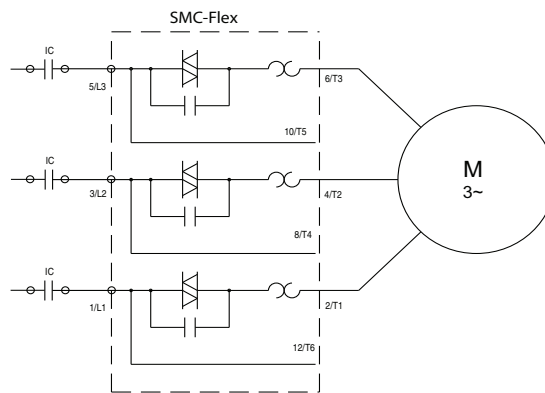


Use of an isolation contactor or shunt trip type circuit breaker on the line side of the SMC. This device should be capable of interrupting the motor's lock rotor current.

Connection of this isolation device to an auxiliary contact on the SMC-Flex. The auxiliary contact should be programmed for the "normal" condition. See Chapter 4 for additional information on programming.

**Line Connected**

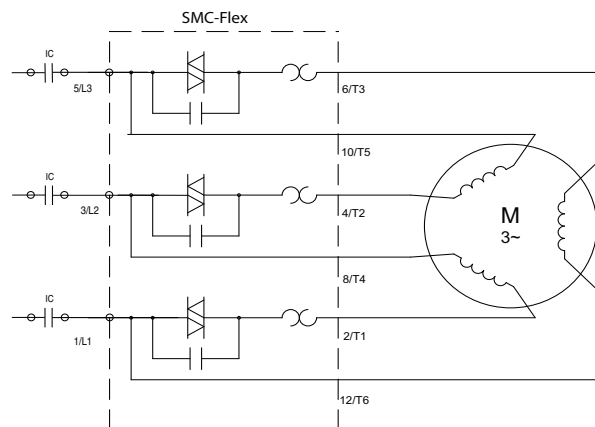
The SMC-Flex by default is programmed to be connected to a line controlled motor as shown in Figure 3.4. These motors typically have 3 leads and must be rated between 1...1250 amps. An optional isolation contactor can be added to the circuit to provide galvanic isolation of the motor and final electro-mechanical removal of power.

**Figure 3.4****Delta Connected**

The SMC Flex can be programmed and connected to a delta controlled motor as shown in Figure 3.5. These motors typically have 6 or 12 leads and must be rated between 1.8...1600 amps. It is recommended that an isolation contactor be added to the circuit to provide galvanic isolation of the motor and final electro-mechanical removal of power.

**Figure 3.5**





## Power Lugs

Power lugs are required for devices rated 108..1250 A. In some cases these lugs are sold in kits. Each kit contains three lugs. The number and type of lugs required is listed in the following tables.

Table 3.C lists the recommended lugs for the SMC when configured as a line connection. Table 3.D lists the recommended lugs when using the SMC Flex with a delta connection. Note that devices rated 625...1250 A require the use of a power distribution block when used with a delta connection.

### ATTENTION



Terminal covers are available for units rated 108...480 A which can make the product deadfront (IP2X) safe. See Appendix D for the appropriate catalog numbers for ordering.

**Table 3.C SMC-Flex 5...1250 A, Line Connection Lug Information**

SMC Rating	Lug Kit Cat. No.	Wire Strip Length	Conductor Range	Max. No. Lugs/Pole		Tightening Torque	
				Line Side	Load Side	Wire — Lug	Lug — Busbar
5...85 A	—	18...20 mm	2.5...85 mm <sup>2</sup> (#14...3/0 AWG)	—	—	11.3 N•m (100 lb.-in.)	—
108...135 A	199-LF1	18...20 mm	16...120 mm <sup>2</sup> (#6...250 MCM)	1	1	31 N•m (275 lb.-in.)	23 N•m (200 lb.-in.)
201...251 A	199-LF1	18...20 mm	16...120 mm <sup>2</sup> (#6...250 MCM)	2	2	31 N•m (275 lb.-in.)	23 N•m (200 lb.-in.)
317...480 A	199-LG1	18...25 mm	25...240 mm <sup>2</sup> (#4...500 MCM)	2	2	42 N•m (375 lb.-in.)	28 N•m (250 lb.-in.)
625...780 A	100-DL630	32 mm / 64 mm	70...240 mm <sup>2</sup> (2/0...500 MCM)	2	2	45 N•m (400 lb.-in.)	68 N•m (600 lb.-in.)
970 A	100-DL860	26 mm / 48 mm	120...240 mm <sup>2</sup> (4/0...500 MCM)	1	1	45 N•m (400 lb.-in.)	68 N•m (600 lb.-in.)
1250 A ①	100-DL630	32 mm / 64 mm	70...240 mm <sup>2</sup> (2/0...500 MCM)	1	1	45 N•m (400 lb.-in.)	68 N•m (600 lb.-in.)
	100-DL860	26 mm / 48 mm	120...240 mm <sup>2</sup> (4/0...500 MCM)	1	1		

① The 1250 A device requires one (1) each of the 100-DL630 and 100-DL860.

**Table 3.D SMC-Flex 108...1250 A, Delta Connection Lug Information (for Inside-the-Delta applications)**

SMC Rating	Suggested Lug Cat. No.	Conductor Range	Max. No. Lugs/Pole	Tightening Torque	
				Line Side ②	Lug — Busbar
108...135 A	1494R-N15	25...240 mm <sup>2</sup> (#4...500 MCM)	1	42 N•m (375 lb.-in.)	23 N•m (200 lb.-in.)
201...251 A	1494R-N14	50...120 mm <sup>2</sup> (1/0...250 MCM)	2	31 N•m (275 lb.-in.)	23 N•m (200 lb.-in.)
317...480 A	150-LG5MC	95...240 mm <sup>2</sup> (3/0...500 MCM)	1	33.9 N•m (300 lb.-in.)	28 N•m (250 lb.-in.)
625...780 A ①	—	25...240 mm <sup>2</sup> (#4...500 MCM)	2	42 N•m (375 lb.-in.)	N/A
970...1250 A ①	—	25...240 mm <sup>2</sup> (#4...500 MCM)	4	42 N•m (375 lb.-in.)	N/A

① For 625...1250 A inside-the-delta connections, terminal blocks are required for line side connections. Required terminal blocks are as follows:  
 - Allen-Bradley Part# 1492-BG (625...780 A: 2 per phase, 970...1250 A: 4 per phase). Short-Circuit Protection = Fuses  
 - Cooper Bussmann Part# 16504-2 (625...780 A: 1 per phase, 970...1250 A: 2 per phase). Short-Circuit Protection = Circuit breaker

② Load side lug information for inside-the-delta applications is contained in Table 3.C.

## Control Power

### Control Wiring

Refer to the product nameplate for control terminal wire capacity and tightening torque requirements. Each control terminal will accept a maximum of two wires. Refer to the product nameplate prior to applying control power. Depending on the specific application, additional control circuit transformer VA capacity may be required.

### Controllers rated 5...480 A

The SMC-Flex controllers rated 5...480 A accept control power input of 100...240V AC or 24V AC/DC, (+10/-15%) single-phase, 50/60 Hz. A control power source of 125 VA is required. The control power requirement for the control module is 75 VA. The control power requirement for the fans is 20 or 50 VA. The control module and fans are separately wired. The control module requirements are shown in Table 3.E. The fans require additional power as defined in Table 3.G.

**Table 3.E Control Module Requirements**

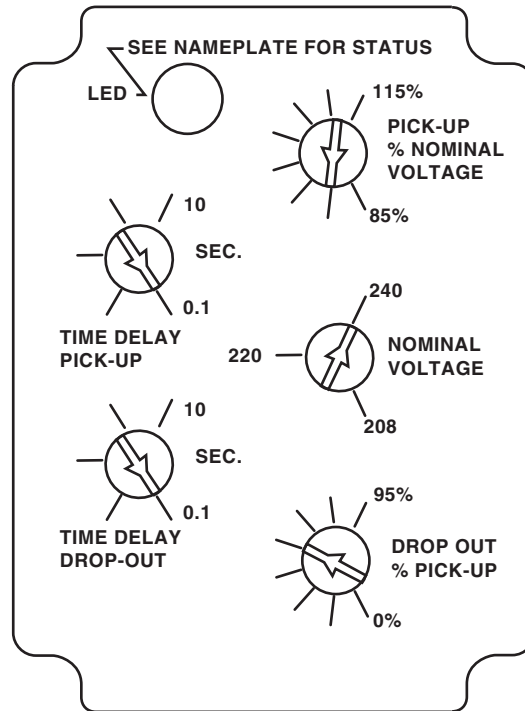
<b>120...240V AC</b>	Transformer	75 VA
<b>24V AC</b>	Transformer	130 VA
<b>24V DC</b>	Inrush Current	5 A
	Inrush Time	250 ms
	Transient Watts	60 W
	Transient Time	500 ms
	Steady State Watts	24 W
	Minimum Allen-Bradley Power Supply	1606-XLP50E

### Controllers rated 625...1250 A

For controllers rated 625...1250 A, common control is required for proper operation. Control power is connected to the product through terminal block CP1, at terminals 1 and 4. This single connection point feeds the control module, contactors, and fans. Control power must be supplied as 110/120 VAC or 230/240 VAC, 50/60 Hz only. A control power source of at least 800 VA is required. The control power requirements include the control module (75 VA), bypass contactors (526 VA max), and fan power (150 VA).

Depending on the specific application, additional control circuit transformer VA capacity may be required.

**Figure 3.6 230V Control Undervoltage Relay Settings for 625...1250 A Devices**



**GENERAL NOTES:**

1. SET ALL RELAY POTENTIOMETERS PER ILLUSTRATION.

**Figure 3.7 Internal Wiring and 230V Control Undervoltage Relay Connection Diagram for 625...1250 A Devices**

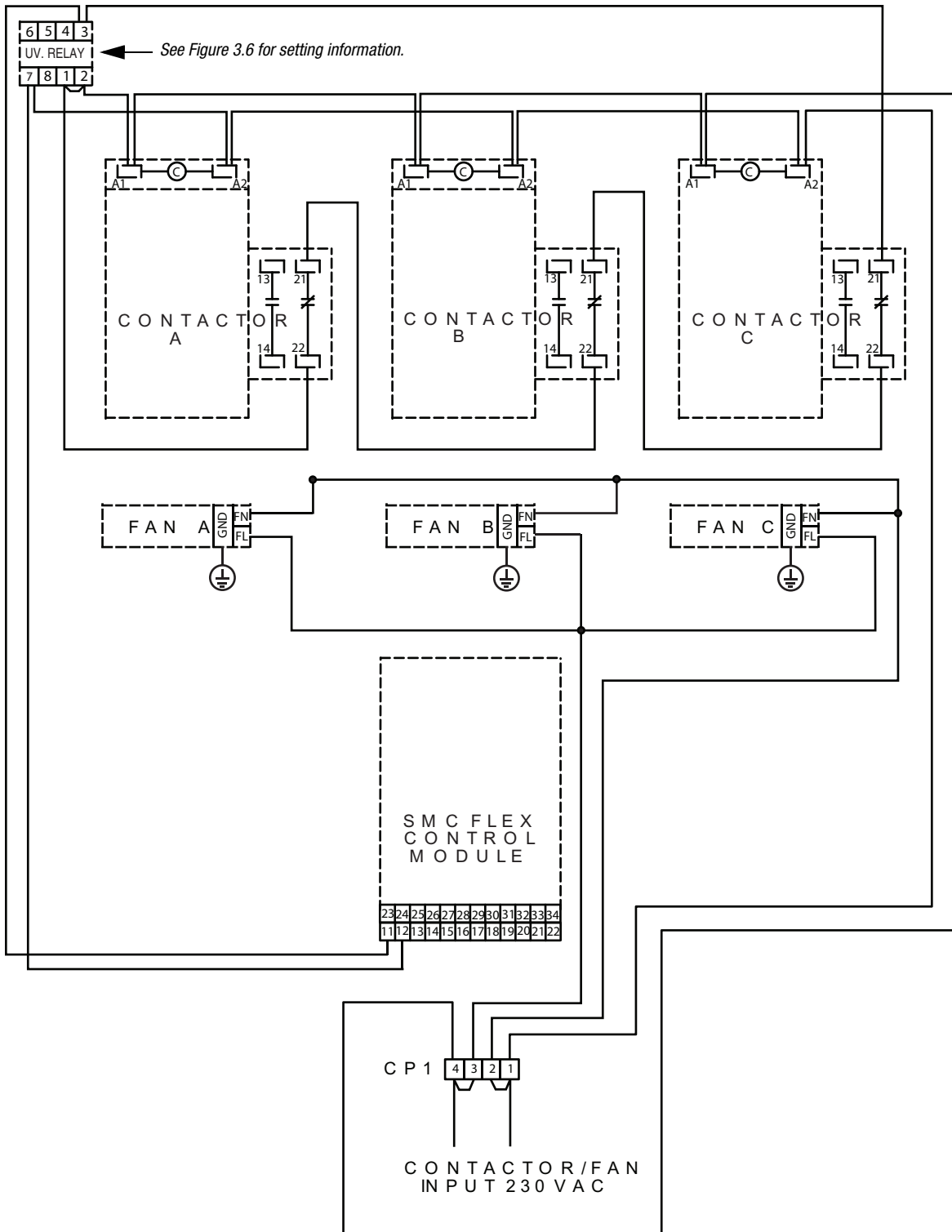
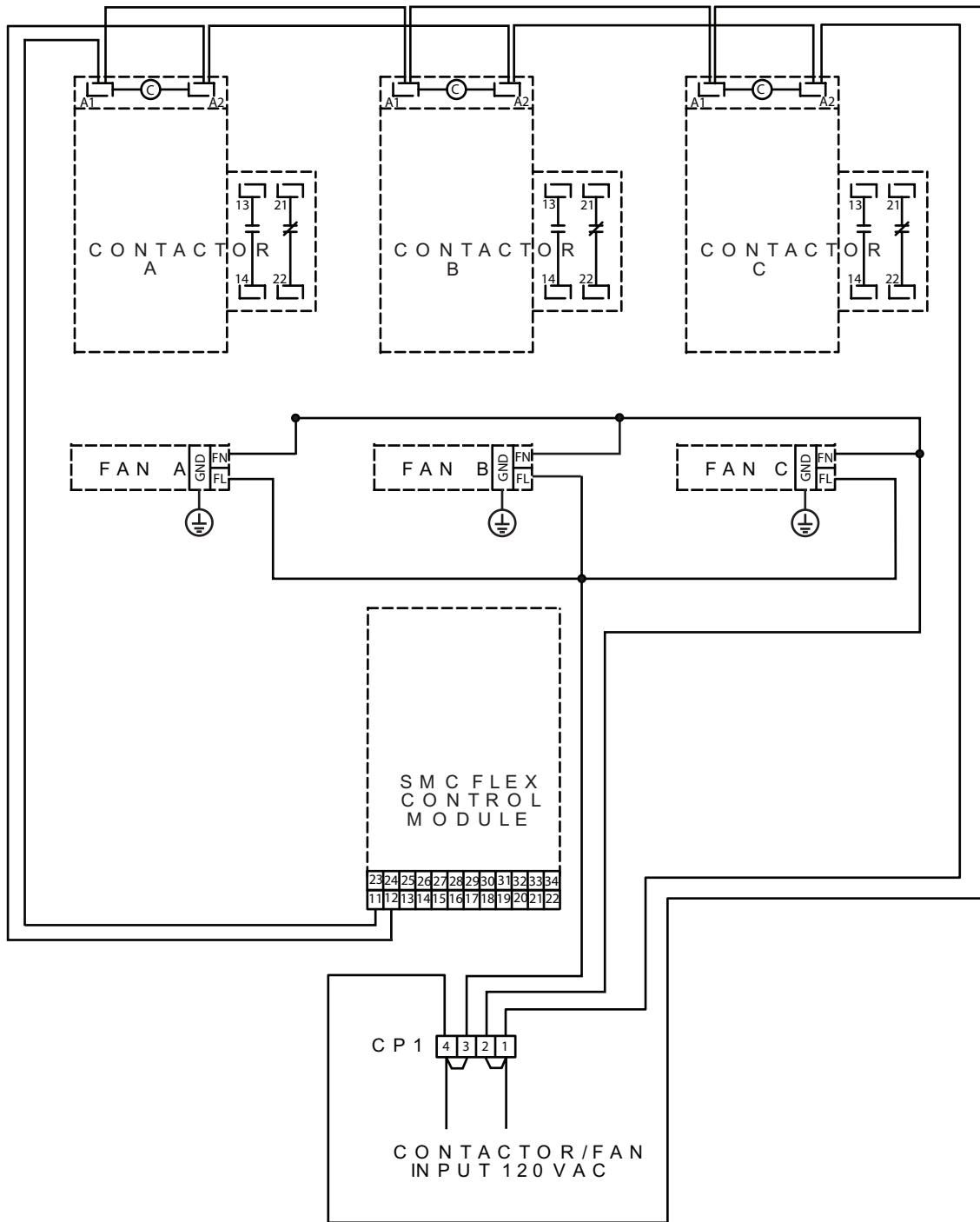


Figure 3.8 Internal Wiring and 120V Control Connection Diagram for 625...1250 A Devices



## Control Wire Specifications

Table 3.F provides the control terminal wire capacity, the tightening torque requirements, and the wire strip length. Each control terminal will accept a maximum of two wires.

**Table 3.F Control Wiring and Tightening Torque**

Wire Size	Torque	Wire Strip Length
0.75...2.5 mm <sup>2</sup> (#18...14 AWG)	0.6 N•m (5 lb.-in.)	5.6...8.6 mm (0.22...0.34 in.)

## Fan Power

Controllers rated 5...1250 A have heatsink fan(s). Refer to Table 3.G for the control power VA requirements of the heatsink fans.

## Fan Terminations

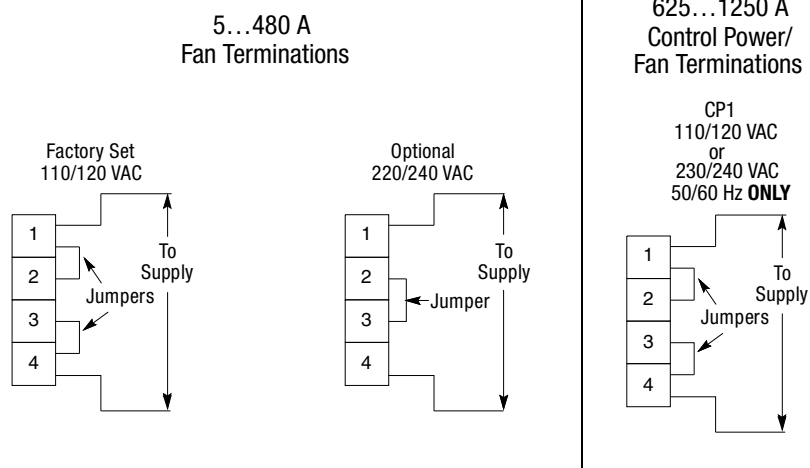
See Figure 3.1, Figure 3.2, and Figure 3.3 for fan power connection locations.

### ATTENTION



The fan jumpers have been factory installed for 110/120V AC input. Refer to Figure 3.9 for 220/240V AC fan wiring (5...480A devices only).

**Figure 3.9 Power Terminations**



**Table 3.G Heatsink Fan Control Power**

SMC Rating	Heatsink Fan VA
5...135 A	20
201...251 A	40
317...480 A	60
625...780 A	150 ①
970...1250 A	150 ①

① Internally wired.

## Control Terminal Designations

As shown in Figure 3.10, the SMC-Flex controller contains 24 control terminals on the front of the controller.

**Figure 3.10 SMC-Flex Controller Control Terminals**



Terminal Number	Description
11	Control Power Input ①④
12	Control Power Common ①④
13	Controller Enable Input ②
14	Control Module Ground
15	Option Input #2 ①②
16	Option Input #1 ①②
17	Start Input ①②
18	Stop Input ①②
19	Aux. Contact #1 ①③
20	Aux. Contact #1 ①③
21	Not Used
22	Not Used

Terminal Number	Description
23	PTC Input ②
24	PTC Input ②
25	Tach Input
26	Tach Input
27	Ground Fault Transformer Input ②
28	Ground Fault Transformer Input ②
29	Aux. Contact #2 ①③
30	Aux. Contact #2 ①③
31	Aux. Contact #3 ①③
32	Aux. Contact #3 ①③
33	Aux. Contact #4 ①③
34	Aux. Contact #4 ①③

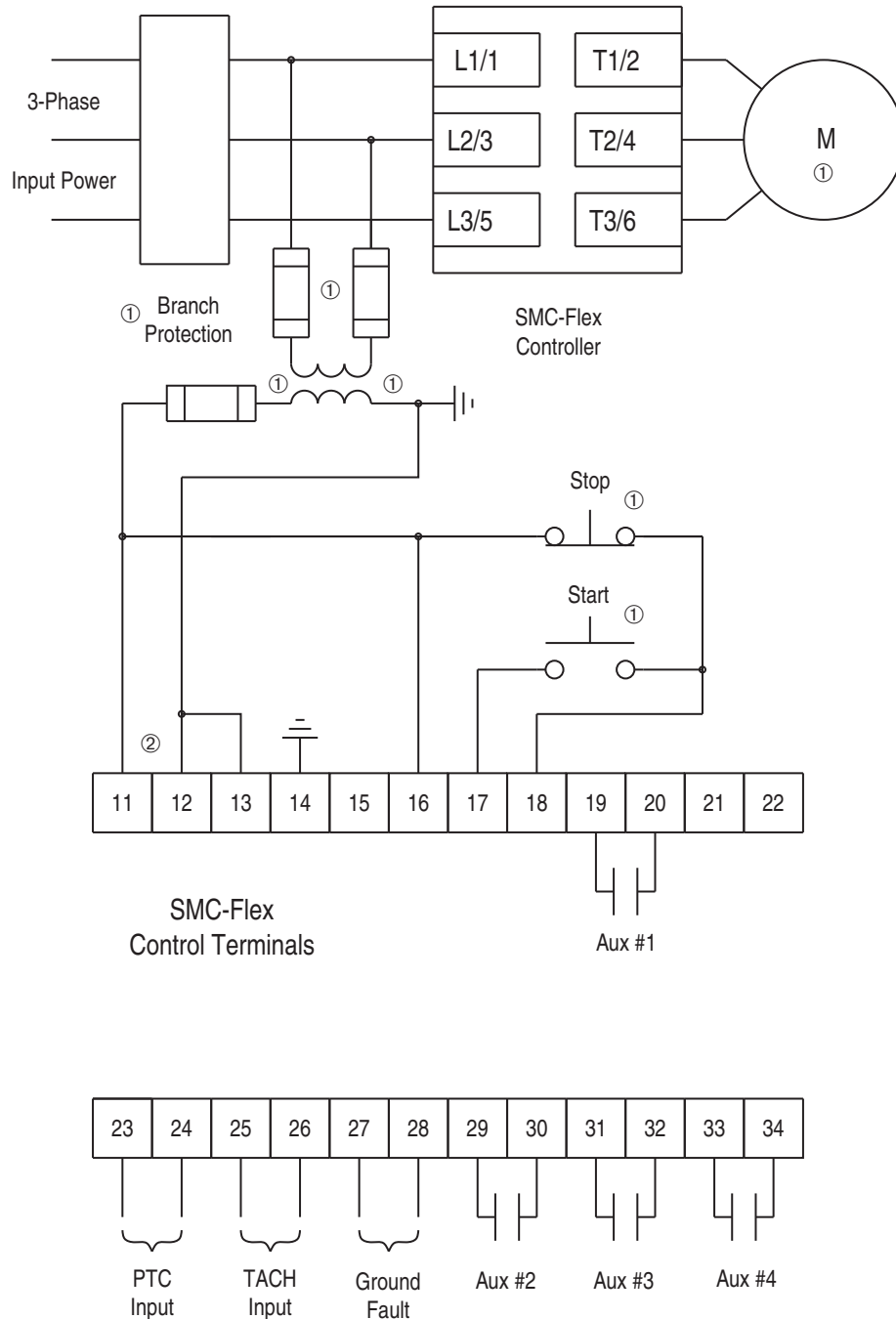
- ① RC Snubbers are required on loads connected to auxiliary.
- ② Do not connect any additional loads to these terminals. These “parasitic” loads may cause problems with operation, which may result in false starting and stopping.
- ③ External Bypass operates an external contactor and overload relay once the motor reaches full speed. The SMC-FLEX overload functionality, diagnostics and metering are disabled when the external bypass is activated. Proper sizing of the contactor and overload is required.
- ④ Control power on units rated 625...1250 A is pre-wired internally, from terminal block CP1.



### Standard Controller Wiring Diagrams

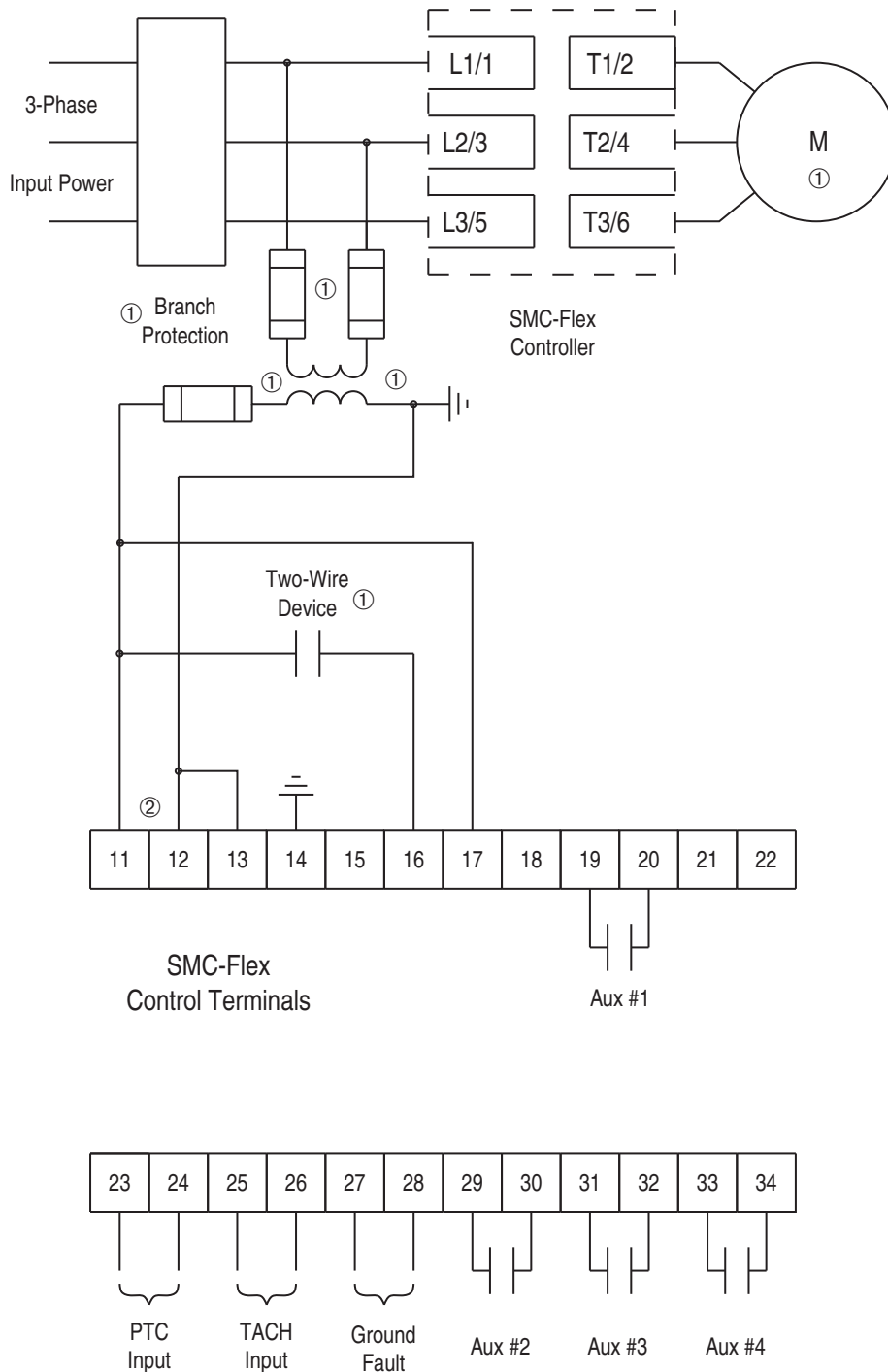
Figure 3.11 through Figure 3.22 show typical wiring for the SMC-Flex controller.

**Figure 3.11 Typical Wiring Diagram for Standard Controller**



- ① Customer supplied.
- ② Refer to the controller nameplate to verify the rating of the control power input voltage. For units rated 625...1250 A, terminals 11 & 12 are factory pre-wired from terminal block CP1 - terminals 1 & 4.

**Figure 3.12 Typical Wiring Diagram for Two-Wire Control with Stopping Control (No DPI Control)**

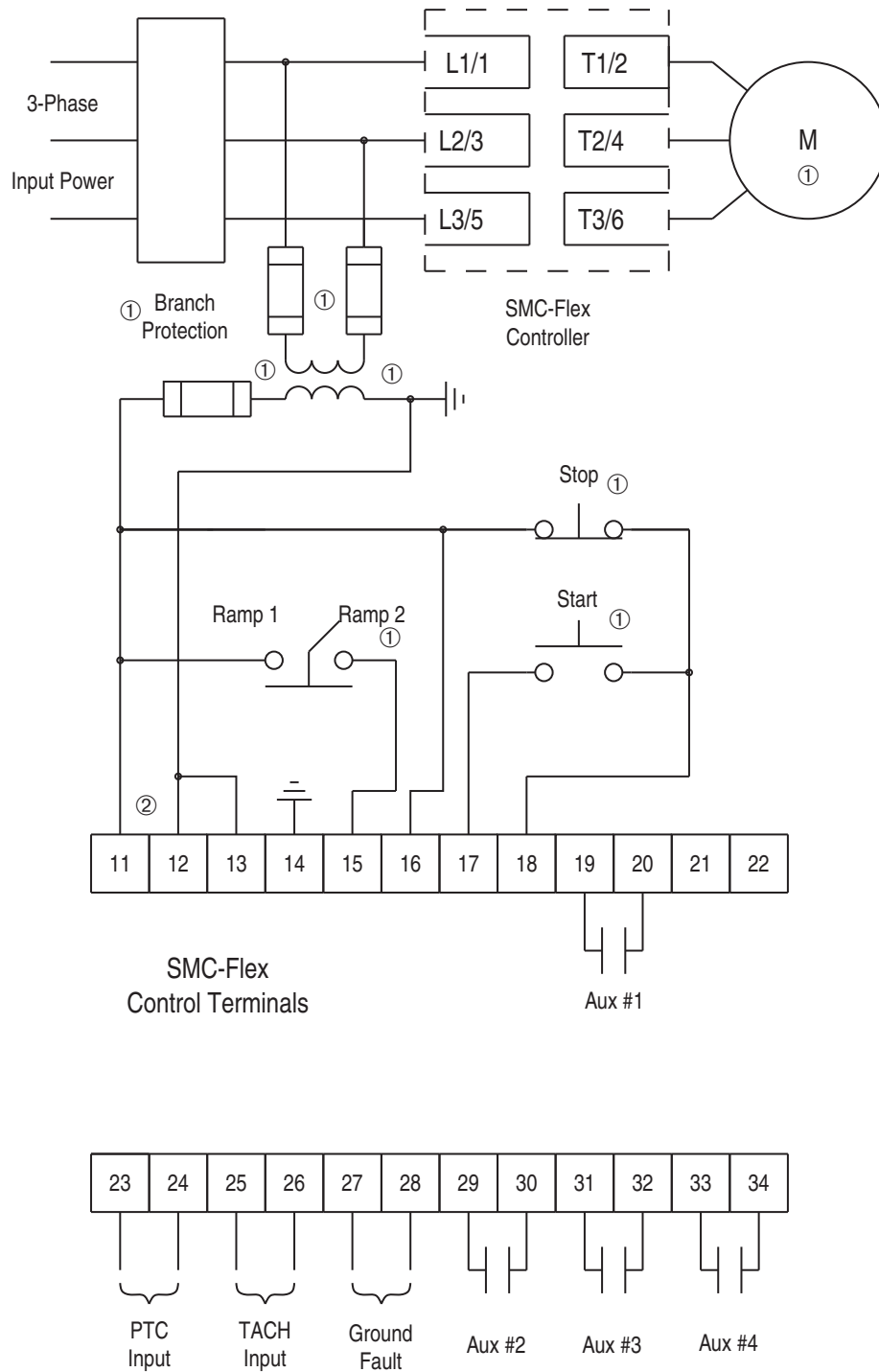


① Customer supplied.

② Refer to the controller nameplate to verify the rating of the control power input voltage. For units rated 625...1250 A, terminals 11 & 12 are factory pre-wired from terminal block CP1 - terminals 1 & 4.

- Notes:
- (1) Programmable controller interfacing in this diagram refers to hard-wiring between the PLC's output contacts and the SMC-Flex controller's control terminals.
  - (2) The OFF state leakage current for a solid-state device must be less than 6 mA.

Figure 3.13 Typical Wiring Diagram for Dual Ramp Applications



① Customer supplied.

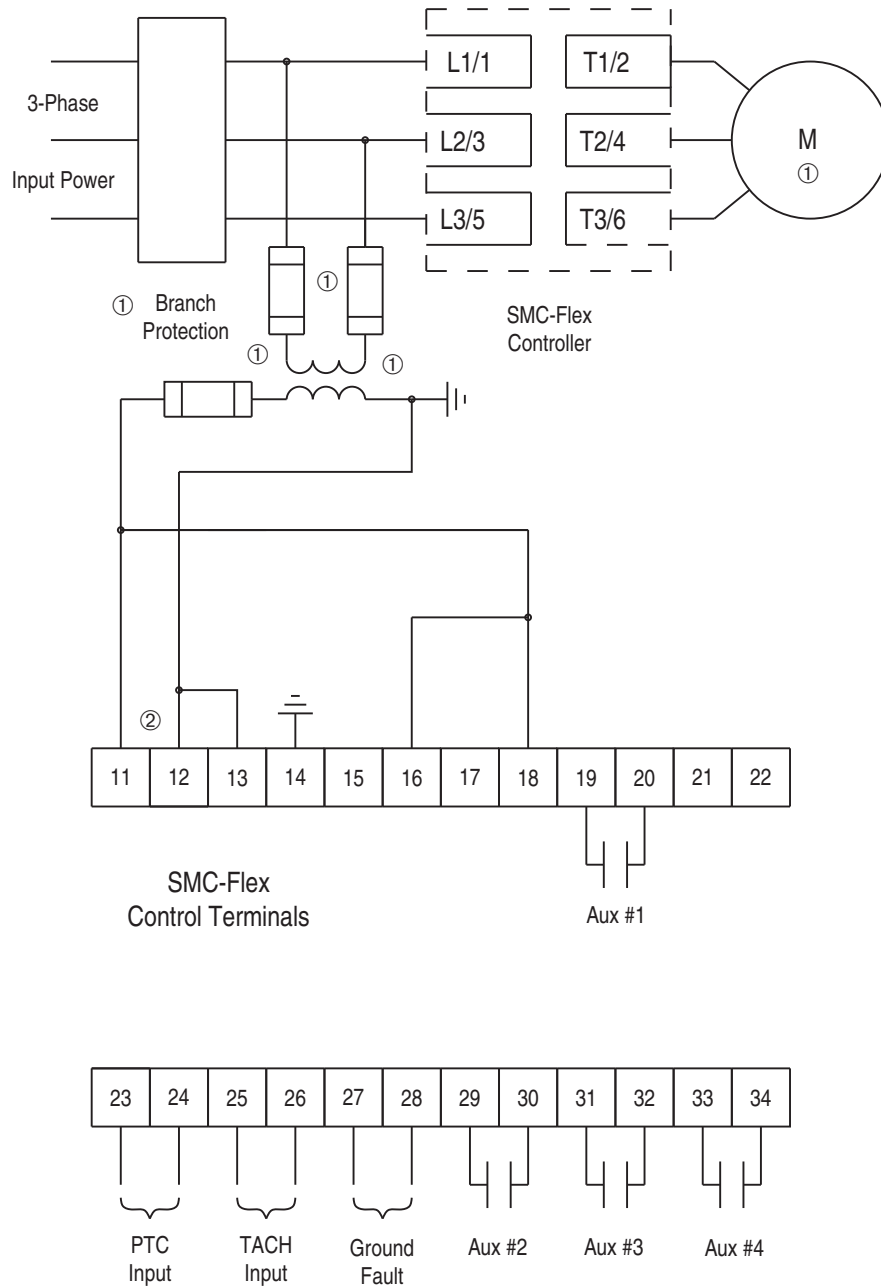
② Refer to the controller nameplate to verify the rating of the control power input voltage. For units rated 625...1250 A, terminals 11 & 12 are factory pre-wired from terminal block CP1 - terminals 1 & 4.

Note: The Dual Ramp feature is available only with the standard control version.

**Figure 3.14 Typical Wiring Diagram for Start-Stop Control via DPI Communications**

**Note:** Use this wiring diagram when start-stop will come from either a Bulletin 20-HIM LCD interface module or a Bulletin 20-COMM communication module connected to the SMC-Flex.

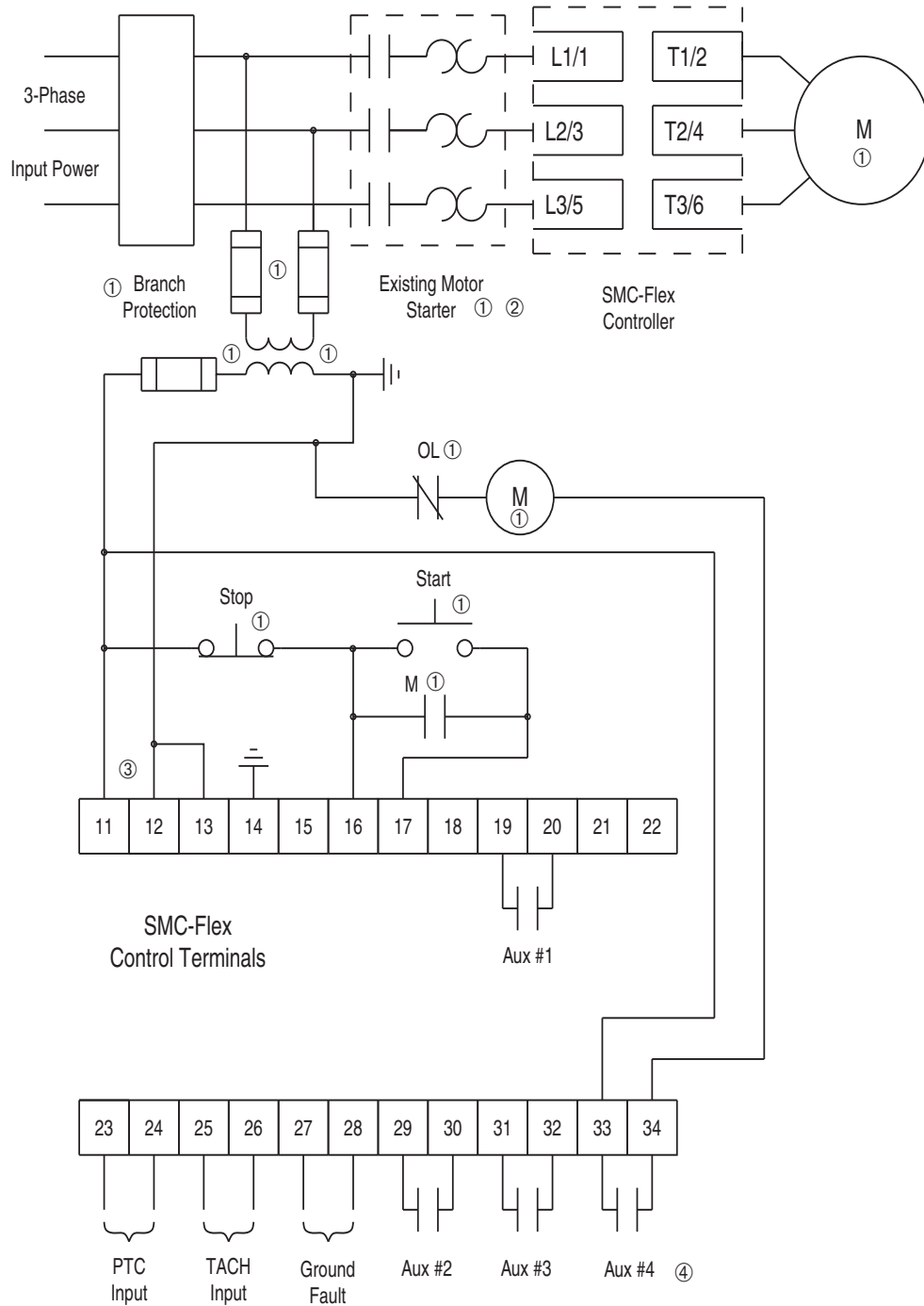
**Note:** Logic mask must be properly configured, see Chapter 8.



① Customer supplied.

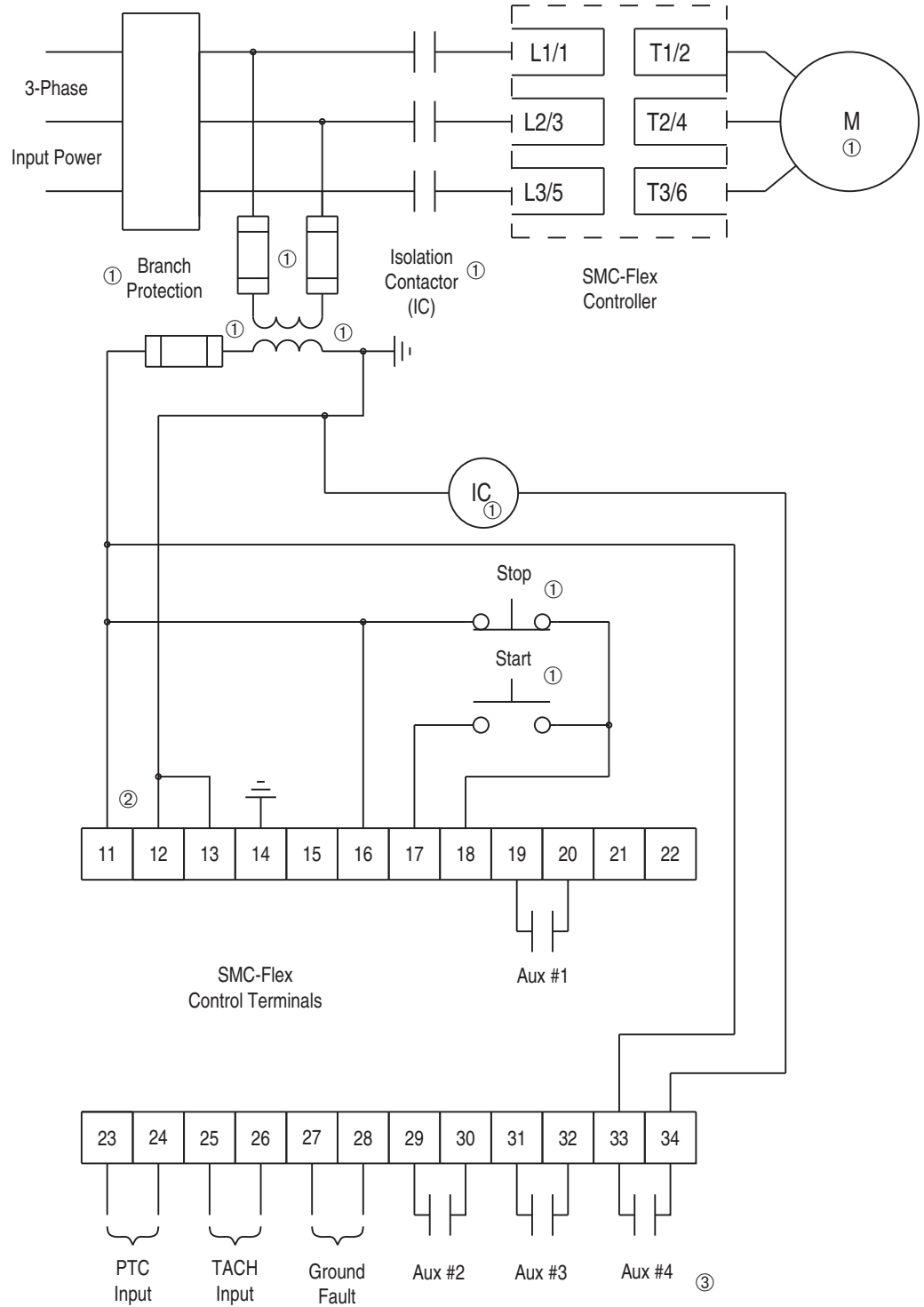
② Refer to the controller nameplate to verify the rating of the control power input voltage. For units rated 625...1250 A, terminals 11 & 12 are factory pre-wired from terminal block CP1 - terminals 1 & 4.

Figure 3.15 Typical Wiring Diagram for Retrofit Applications



- ① Customer supplied.
- ② Overload protection should be disabled in the SMC-Flex controller.
- ③ Refer to the controller nameplate to verify the rating of the control power input voltage. For units rated 625...1250 A, terminals 11 & 12 are factory pre-wired from terminal block CP1 - terminals 1 & 4.
- ④ Aux #4 should be set for normal operation

Figure 3.16 Typical Wiring Diagram for Isolation Applications (DPI also)

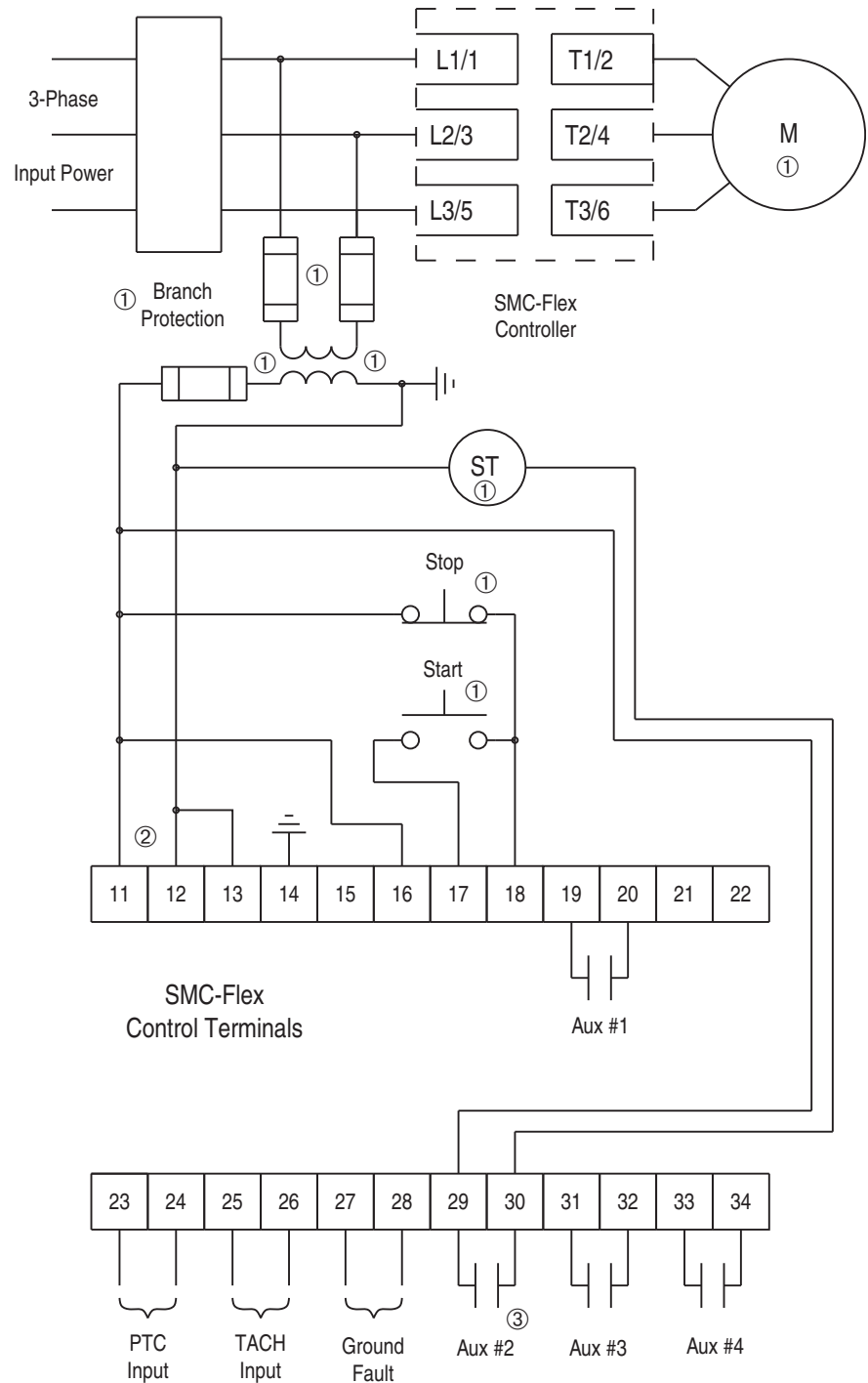


① Customer supplied.

② Refer to the controller nameplate to verify the rating of the control power input voltage. For units rated 625...1250 A, terminals 11 & 12 are factory pre-wired from terminal block CP1 - terminals 1 & 4.

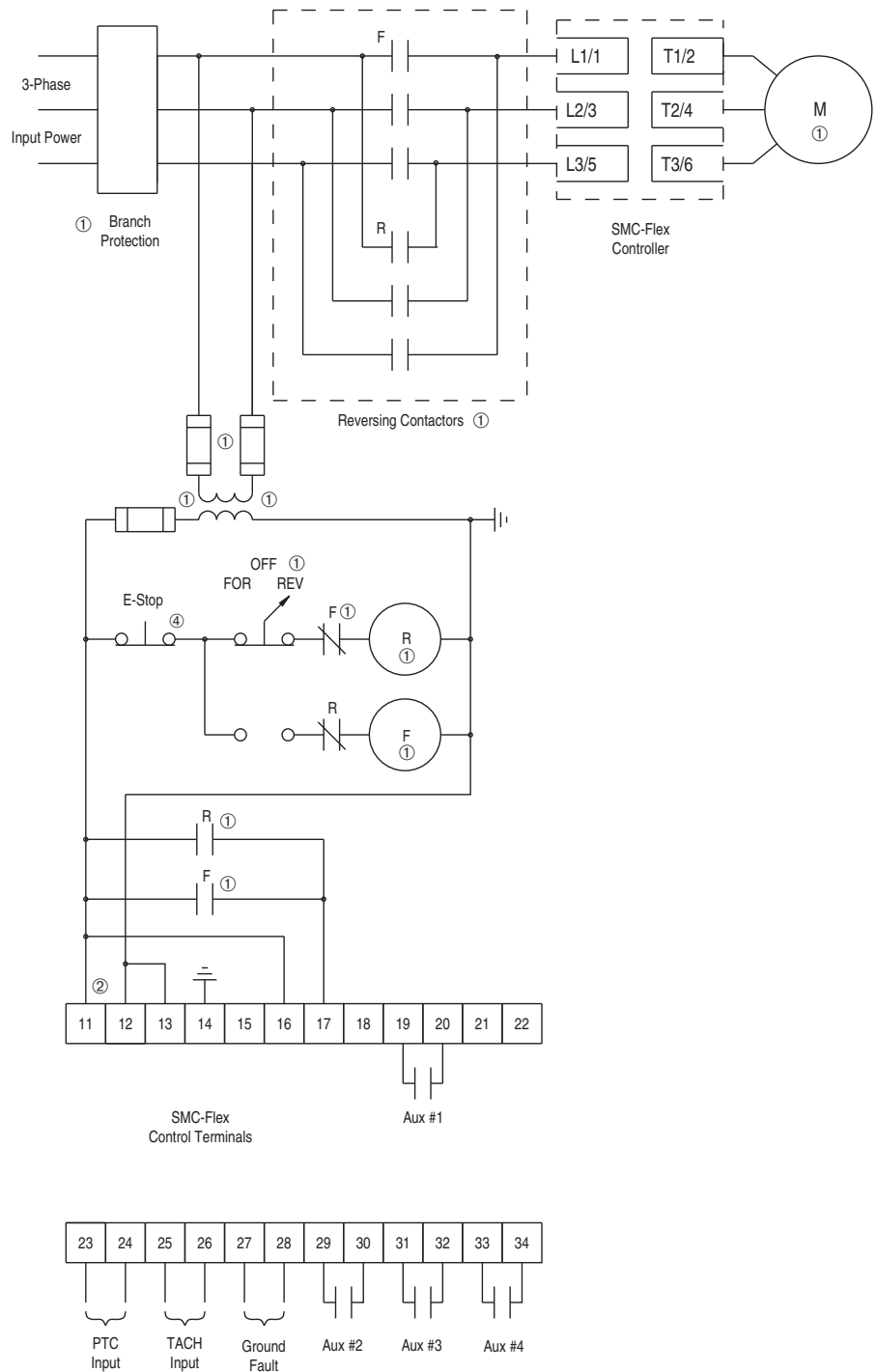
③ Aux #4 should be set for normal operation.

Figure 3.17 Typical Wiring Diagram for Shunt Trip Applications



- ① Customer supplied.
- ② Refer to the controller nameplate to verify the rating of the control power input voltage. For units rated 625...1250 A, terminals 11 & 12 are factory pre-wired from terminal block CP1 - terminals 1 & 4.
- ③ Aux #2 should be set to fault operation.

**Figure 3.18 Typical Wiring Diagram for Single-Speed Reversing Applications**



① Customer supplied.

② Refer to the controller nameplate to verify the rating of the control power input rating. For units rated 625...1250 A, terminals 11 & 12 are factory pre-wired from terminal block CP1 - terminals 1 & 4.

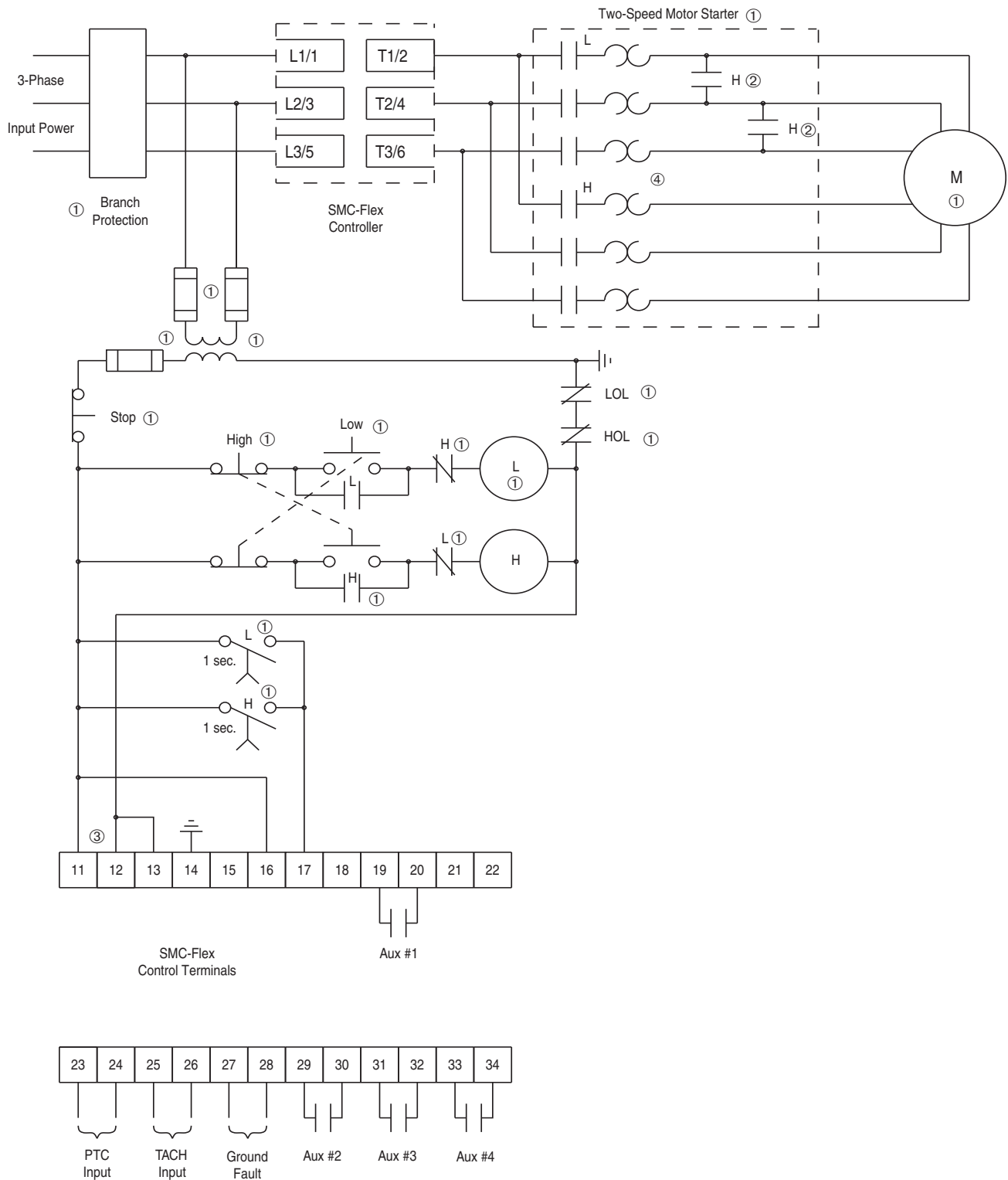
③ No braking maneuver allowed in wiring diagram.

④ Maintained pushbutton.

Notes: (1) Minimum transition time for reversing direction is 1/2 second.  
 (2) Phase Reversal protection **must** be disabled in reversing applications.

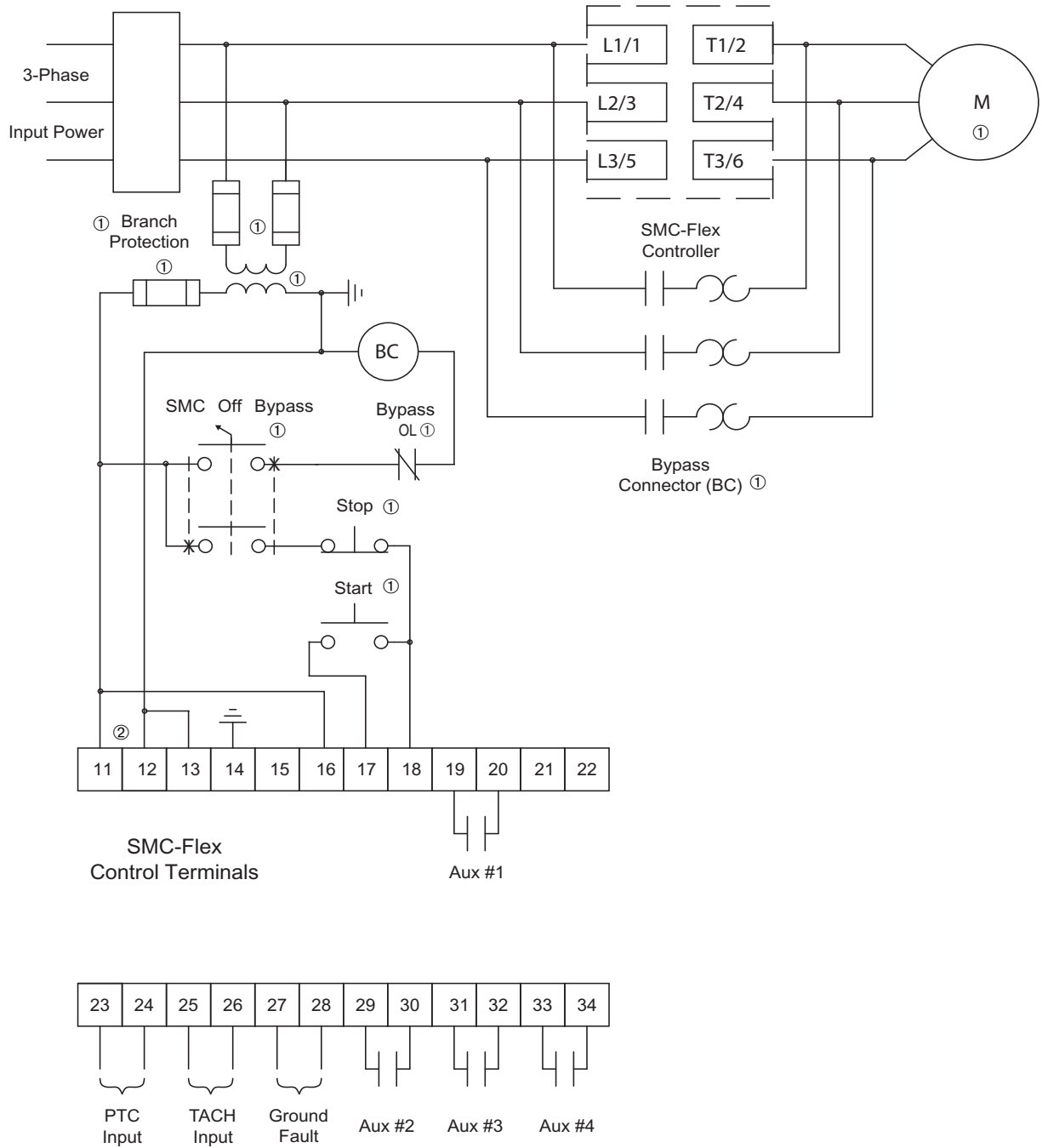


**Figure 3.19 Typical Wiring Diagram for Two-speed Applications**



- ① Customer supplied.
- ② Two-speed, consequent pole installations.
- ③ Refer to the controller nameplate to verify the rating of the control power input voltage. For units rated 625...1250 A, terminals 11 & 12 are factory pre-wired from terminal block CP1 - terminals 1 & 4.
- ④ Overload must be disabled in SMC-Flex.

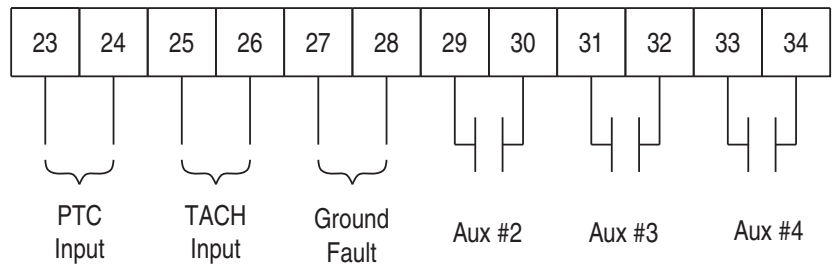
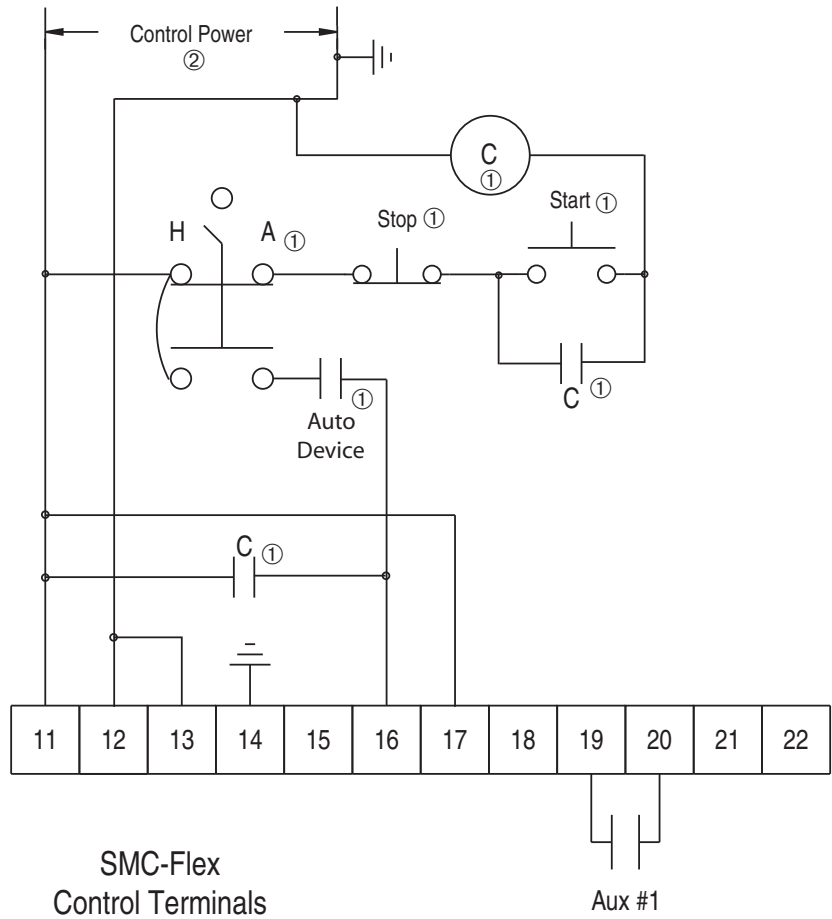
Figure 3.20 Typical Wiring Diagram for SMC-Off-Bypass Control



① Customer supplied.

② Refer to the controller nameplate to verify the rating of the control power input voltage. For units rated 625...1250 A, terminals 11 & 12 are factory pre-wired from terminal block CP1 - terminals 1 & 4.

**Figure 3.21 Typical Wiring Diagram for Hand-Off-Auto Control with Stop Option and Start/Stop Push Buttons**



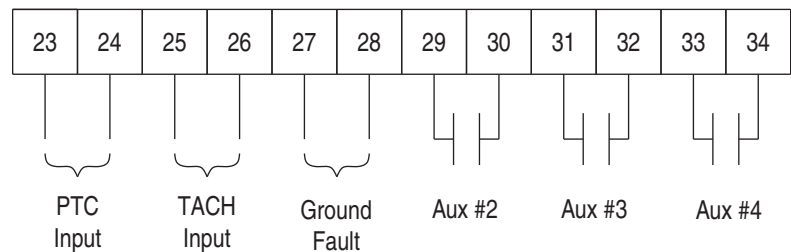
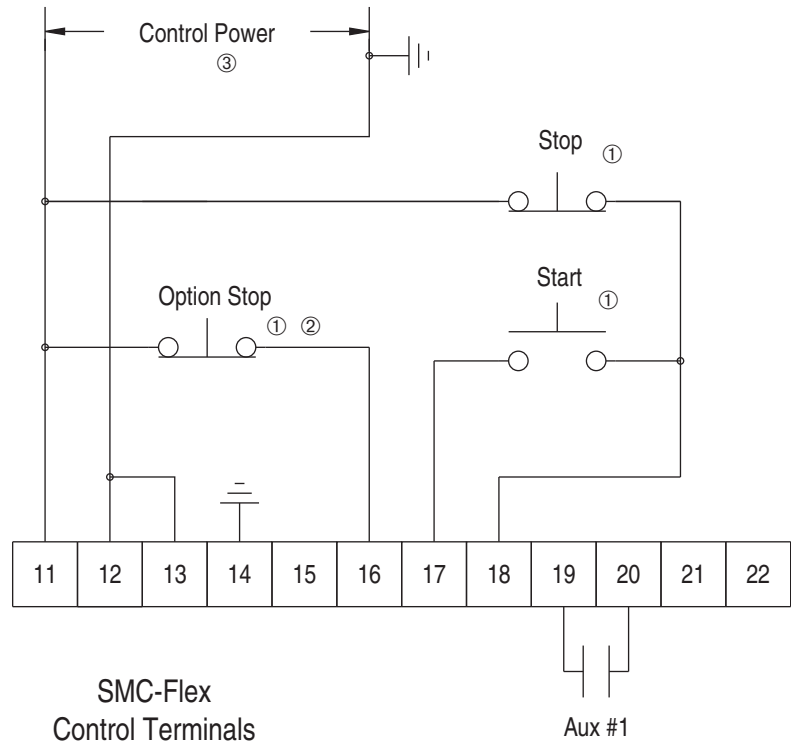
① Customer supplied.

② Refer to the controller nameplate to verify the rating of the control power input voltage. For units rated 625...1250 A, terminals 11 & 12 are factory pre-wired from terminal block CP1 - terminals 1 & 4.

### Soft Stop, Pump Control, and SMB Smart Motor Braking

Figure 3.22 through Figure 3.25 show the different wiring for the Soft Stop, Pump Control, and SMB Smart Motor Braking options.

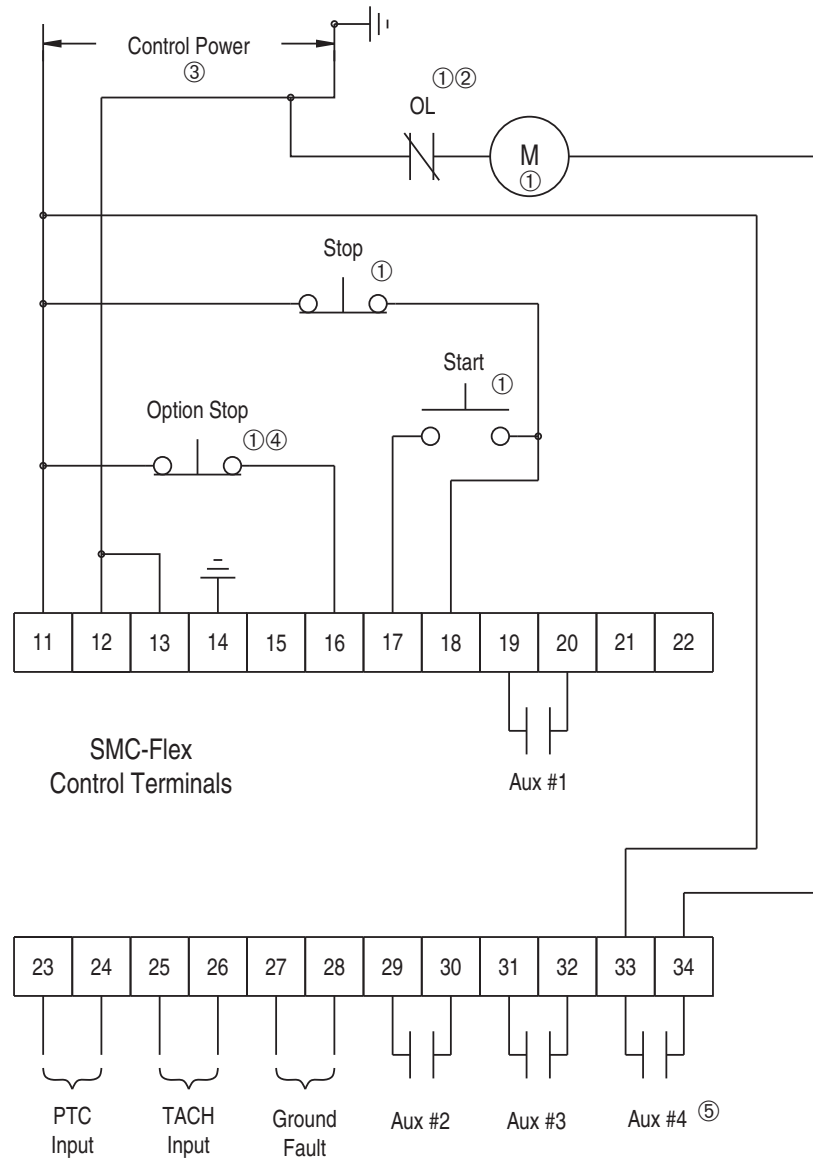
**Figure 3.22 Typical Wiring Diagram**



- ① Customer supplied.
- ② Soft Stop, Pump Stop, or Brake.
- ③ Refer to the controller nameplate to verify the rating of the control power input voltage. For units rated 625...1250 A, terminals 11 & 12 are factory pre-wired from terminal block CP1 - terminals 1 & 4.

Note: Refer to Chapter 3 for typical power circuits.

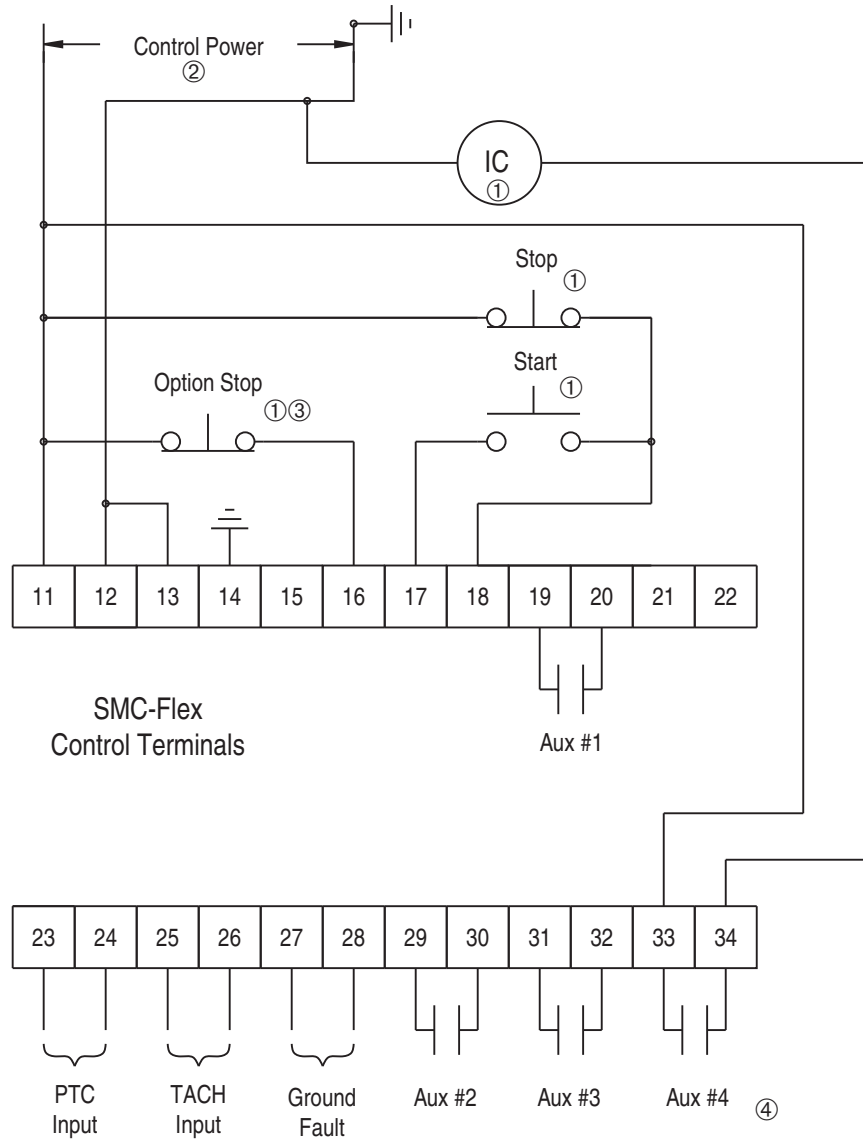
Figure 3.23 Typical Retrofit Wiring Diagram



- ① Customer supplied.
- ② Overload protection should be disabled in the SMC-Flex controller.
- ③ Refer to the controller nameplate to verify the rating of the control power input voltage. For units rated 625...1250 A, terminals 11 & 12 are factory pre-wired from terminal block CP1 - terminals 1 & 4.
- ④ Soft Stop, Pump Stop, or Brake.
- ⑤ Aux #4 should be set to normal operation.

Note: Refer to Chapter 3 for typical power circuits.

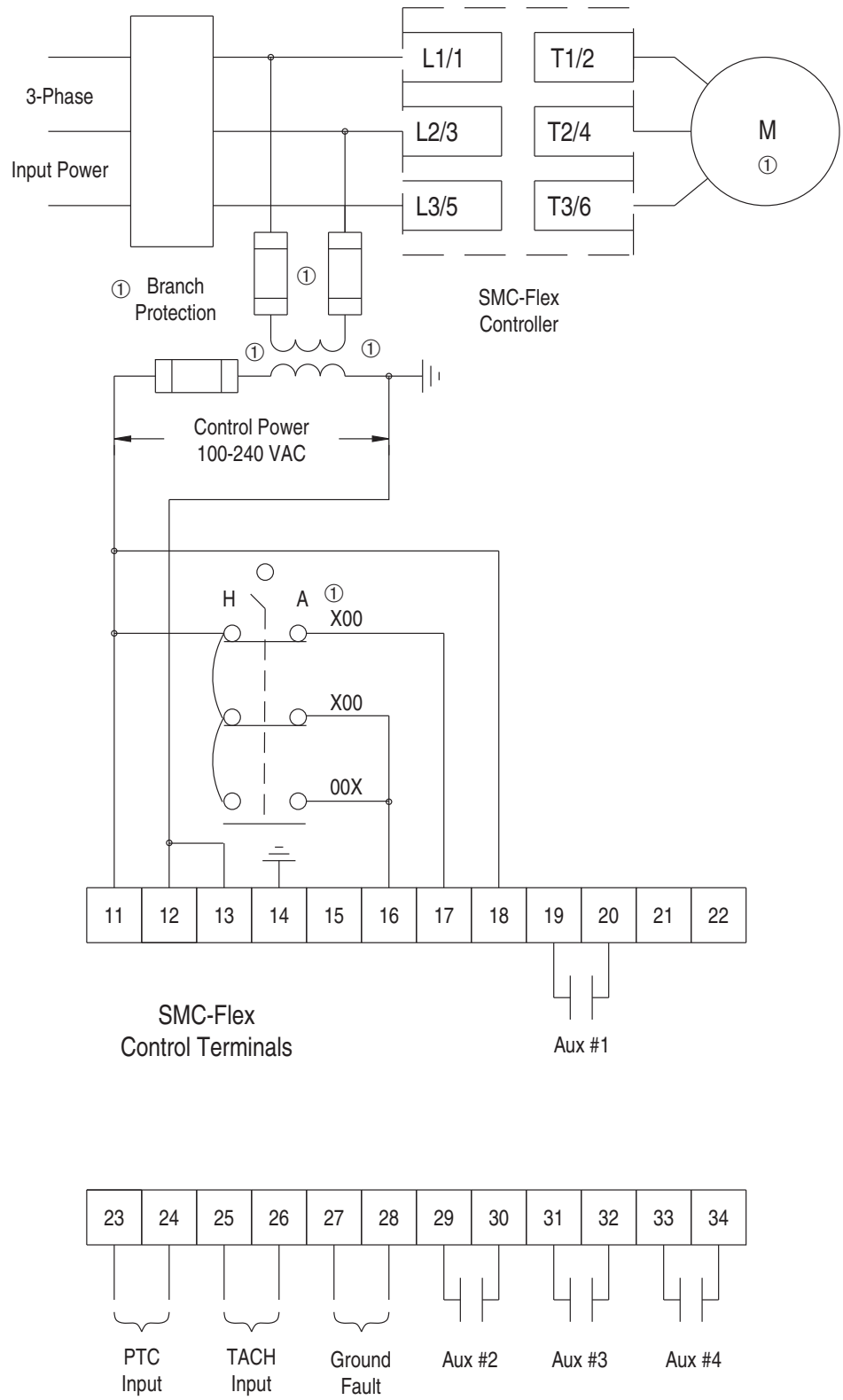
**Figure 3.24 Typical Wiring Diagram for Applications Requiring an Isolation Contactor**



- ① Customer supplied.
- ② Refer to the controller nameplate to verify the rating of the control power input voltage. For units rated 625...1250 A, terminals 11 & 12 are factory pre-wired from terminal block CP1 - terminals 1 & 4.
- ③ Soft Stop, Pump Stop, or Brake.
- ④ Aux #4 should be set to normal operation.

Note: Refer to Chapter 3 for typical power circuits.

**Figure 3.25 Typical Wiring Diagram for Hand-Off-Auto (DPI) Control (Soft Stop, Braking, and Pump Control Only)**

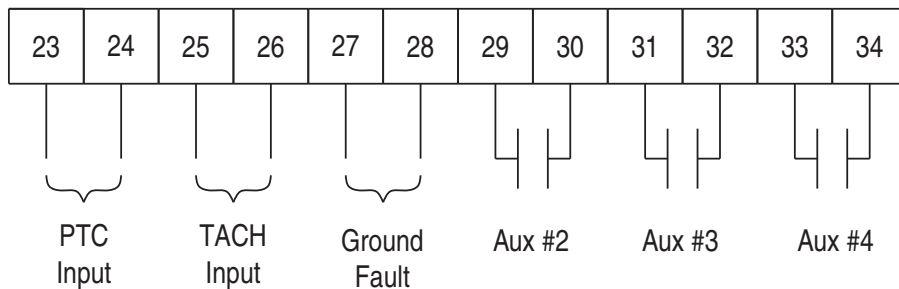
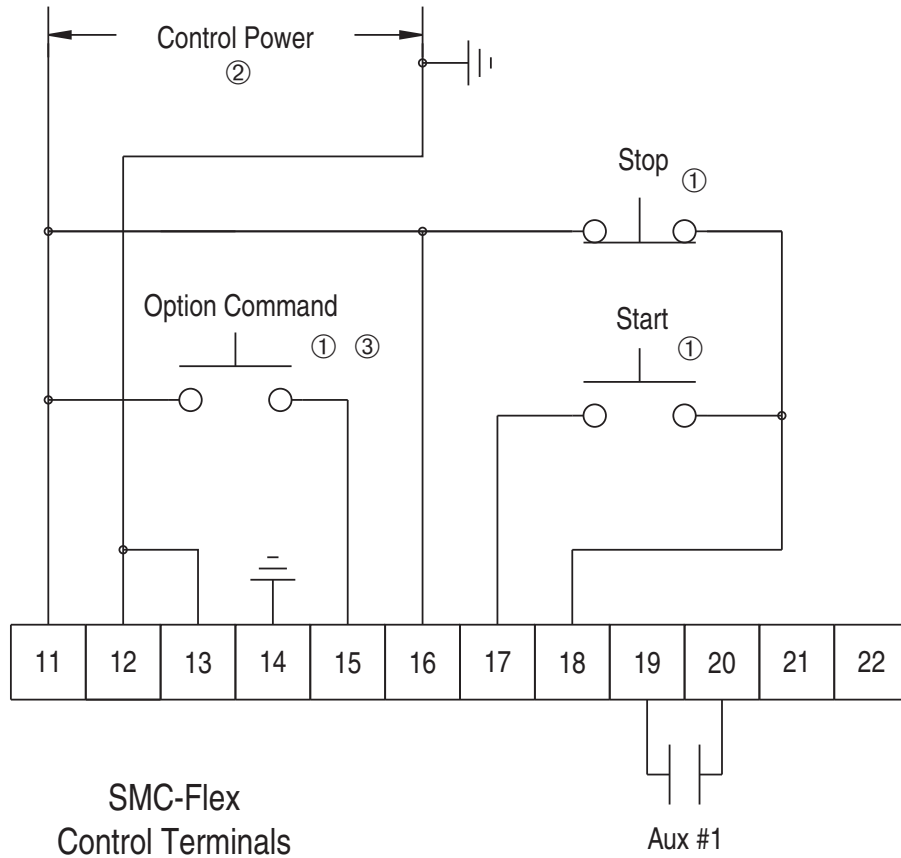


① Customer supplied.

### Preset Slow Speed

Figure 3.26 and Figure 3.27 show the different wiring for the Preset Slow Speed.

**Figure 3.26 Typical Wiring Diagram for the Preset Slow Speed**

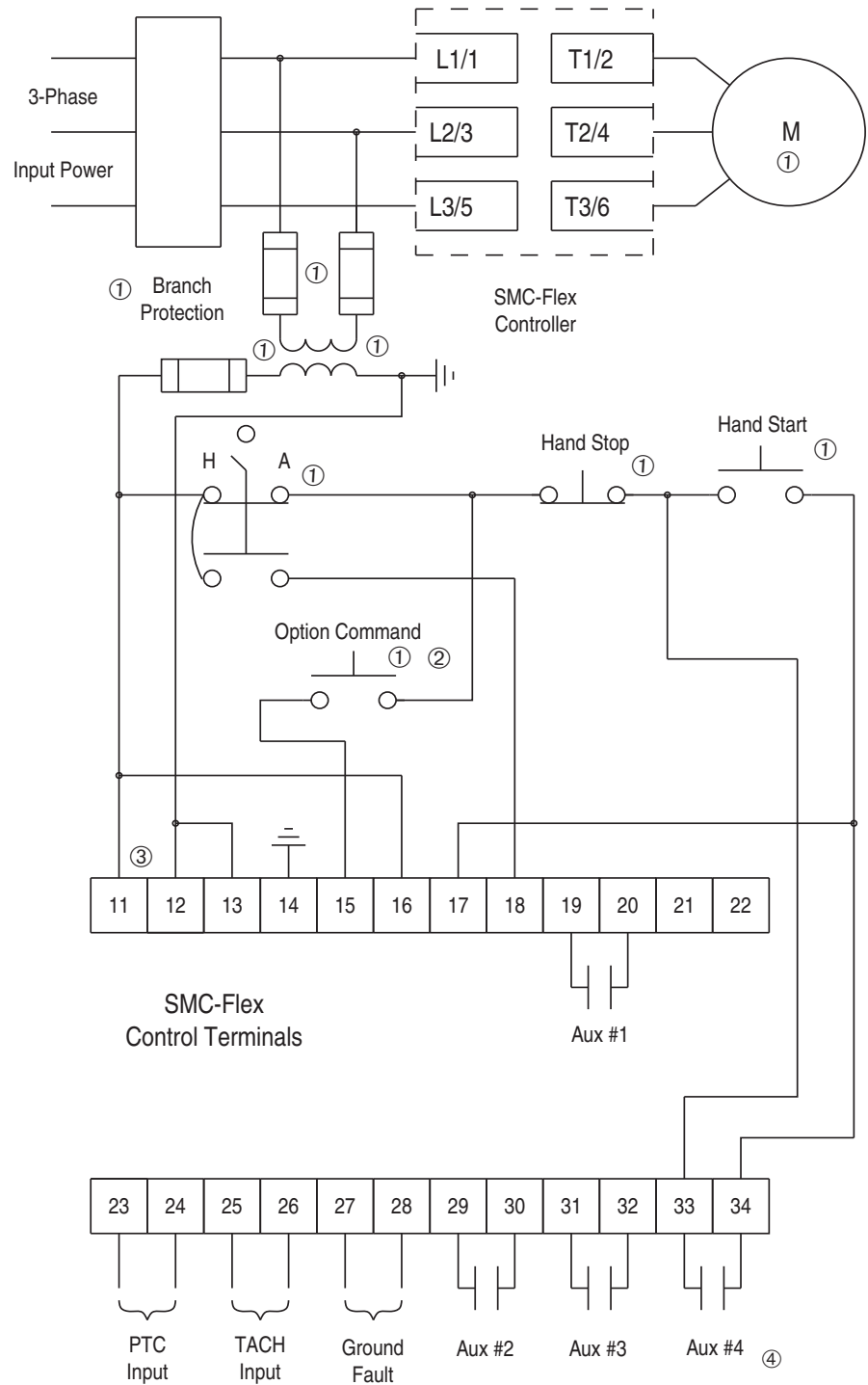


- ① Customer supplied.
- ② Refer to the controller nameplate to verify the rating of the control power input voltage. For units rated 625...1250 A, terminals 11 & 12 are factory pre-wired from terminal block CP1 - terminals 1 & 4.
- ③ Slow Speed.

Note: Refer to Chapter 3 for typical power circuits.



**Figure 3.27 Typical Slow Speed Wiring Diagram for Hand-Off-Auto (DPI) Control**

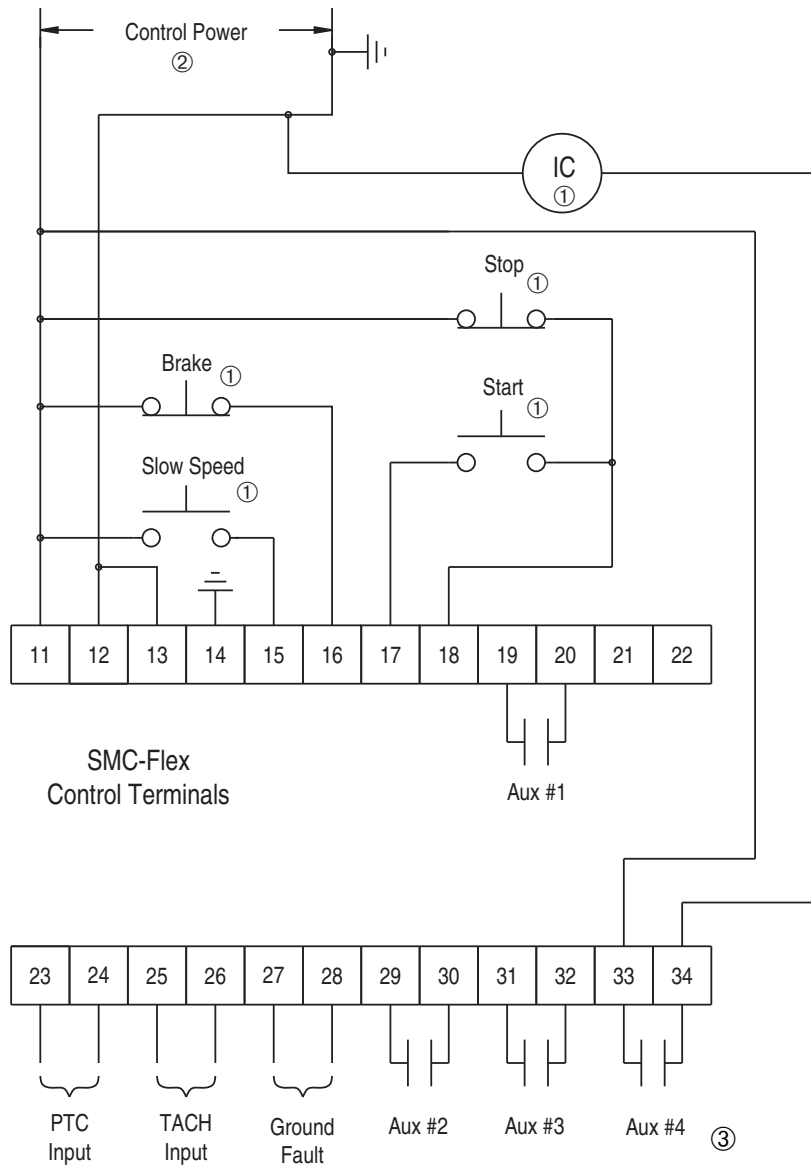


- ① Customer supplied.
- ② Slow Speed.
- ③ Refer to the controller nameplate to verify the rating of the control power input voltage. For units rated 625...1250 A, terminals 11 & 12 are factory pre-wired from terminal block CP1 - terminals 1 & 4.
- ④ Aux #4 should be set to normal operation.

### Slow Speed with Braking

Figure 3.28 shows the wiring for the Slow Speed with Braking option.

**Figure 3.28 Typical Wiring Diagram for the Slow Speed with Braking with an Isolation Contactor**

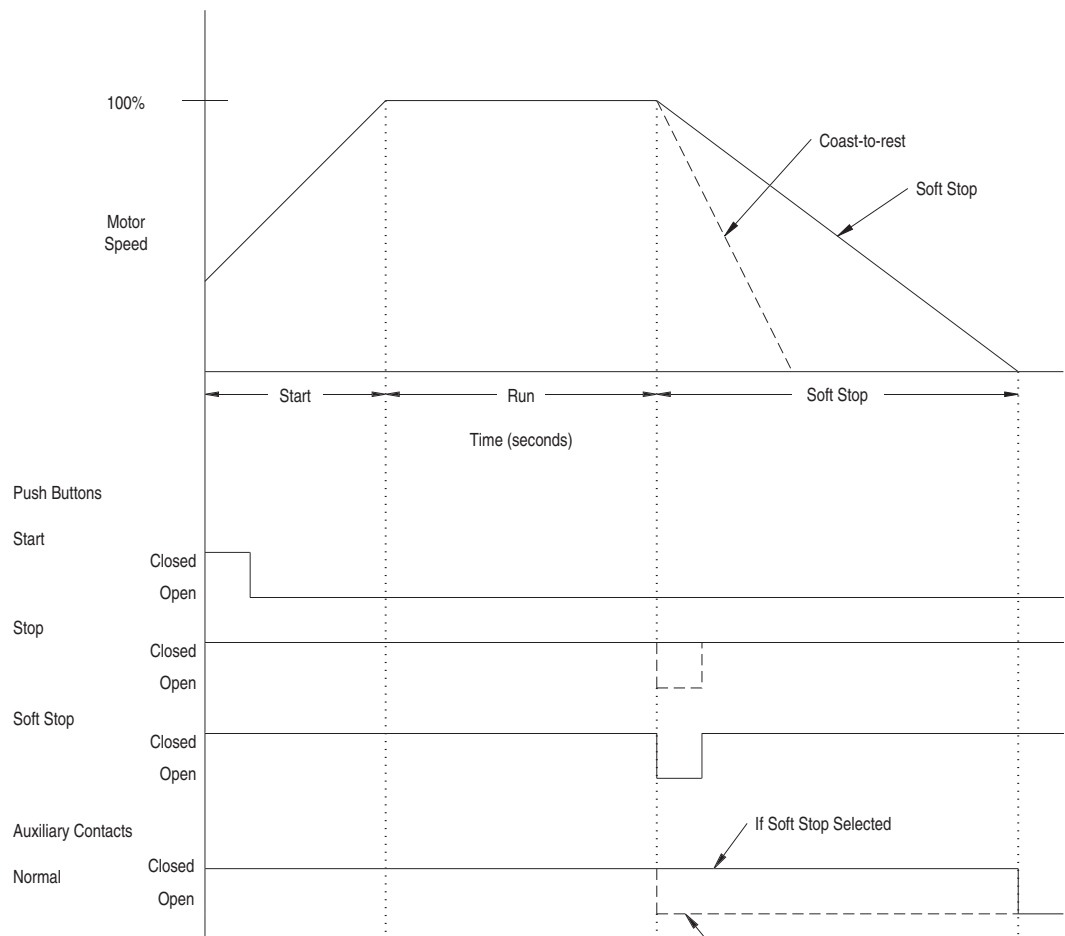


- ① Customer supplied.
  - ② Refer to the controller nameplate to verify the rating of the control power input voltage. For units rated 625...1250 A, terminals 11 & 12 are factory pre-wired from terminal block CP1 - terminals 1 & 4.
  - ③ Aux #4 should be set to normal operation.
- Note: Refer to Chapter 3 for typical power circuits.

## Sequence of Operation

Figure 3.29 through Figure 3.34 show the different operation sequences for the Soft Stop, Preset Slow Speed, Pump Control, SMB Smart Motor Braking, Accu-Stop, and Slow Speed with Braking options.

**Figure 3.29 Soft Stop Sequence of Operation**



### ATTENTION



The user is responsible for determining which stopping mode is best suited to the application and will meet applicable standards for operator safety on a particular machine.

Figure 3.30 Preset Slow Speed Sequence of Operation

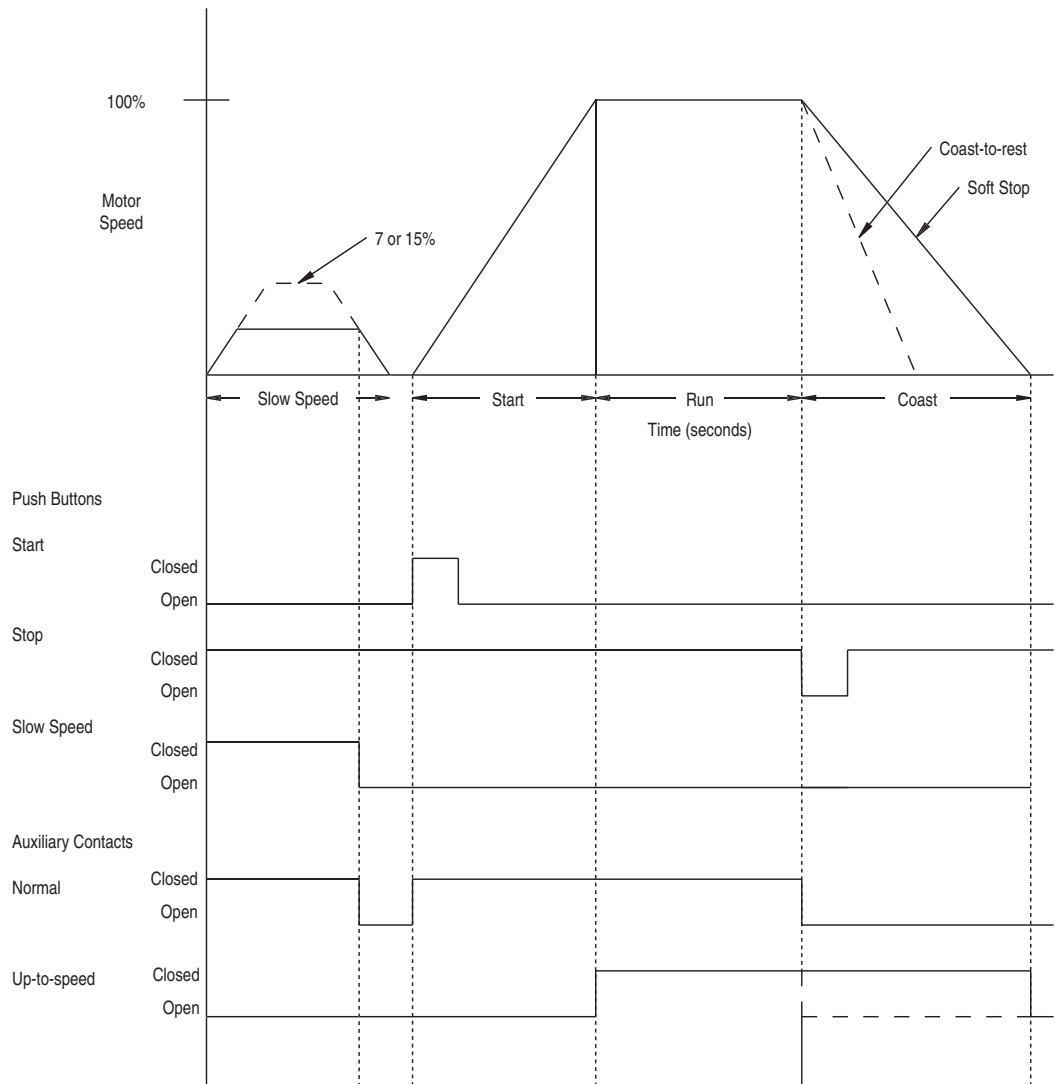
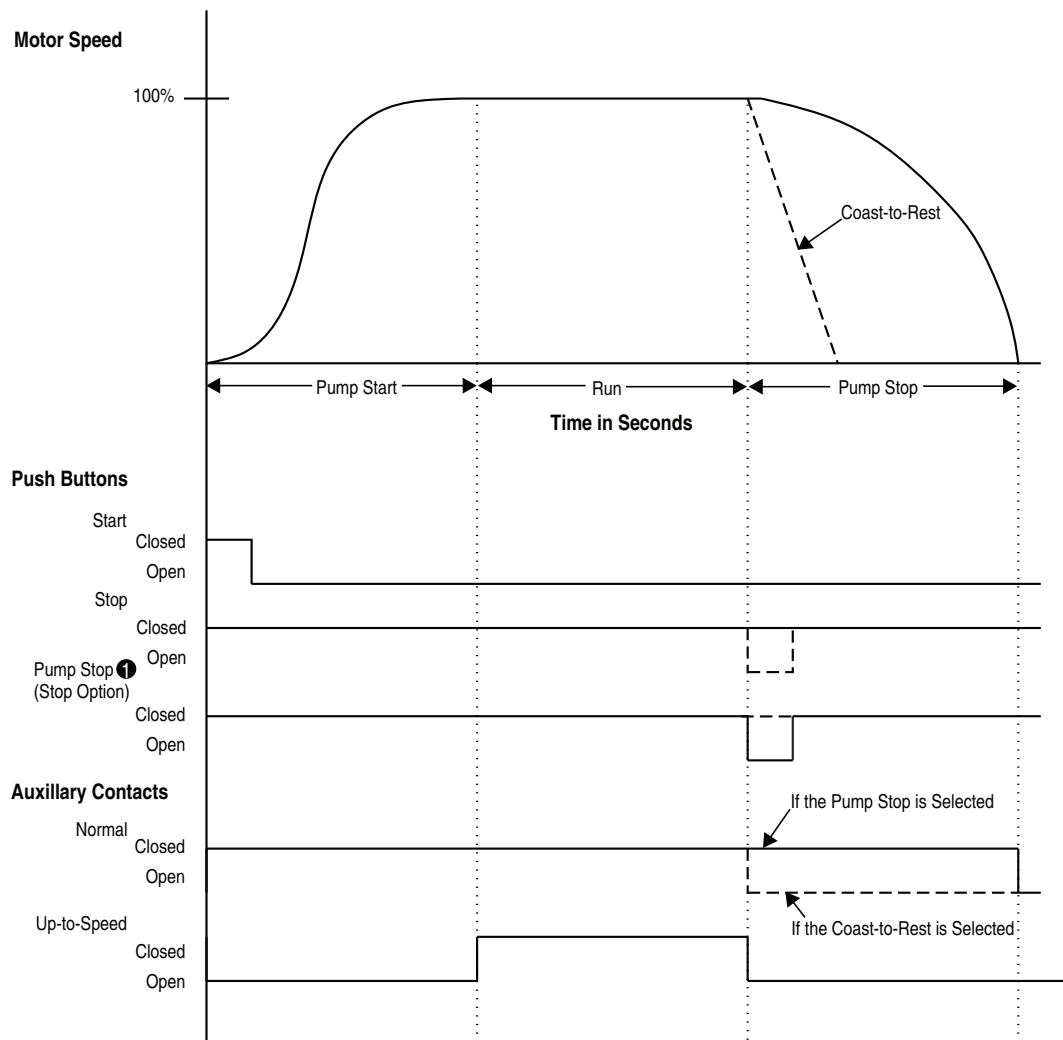


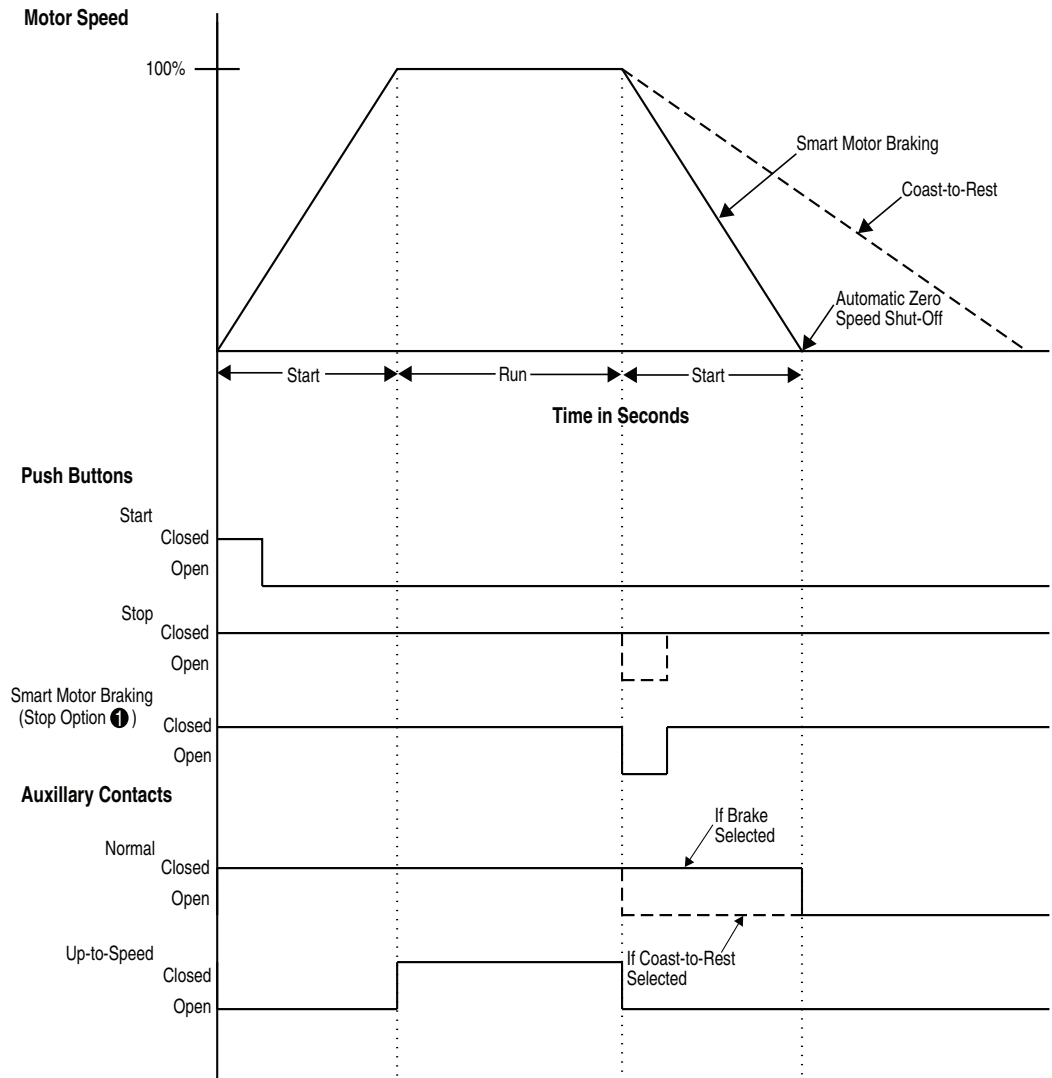
Figure 3.31 Pump Control Sequence of Operation

**ATTENTION**

The user is responsible for determining which stopping mode is best suited to the application and will meet applicable standards for operator safety on a particular machine.



**Figure 3.32 SMB Smart Motor Braking Sequence of Operation**

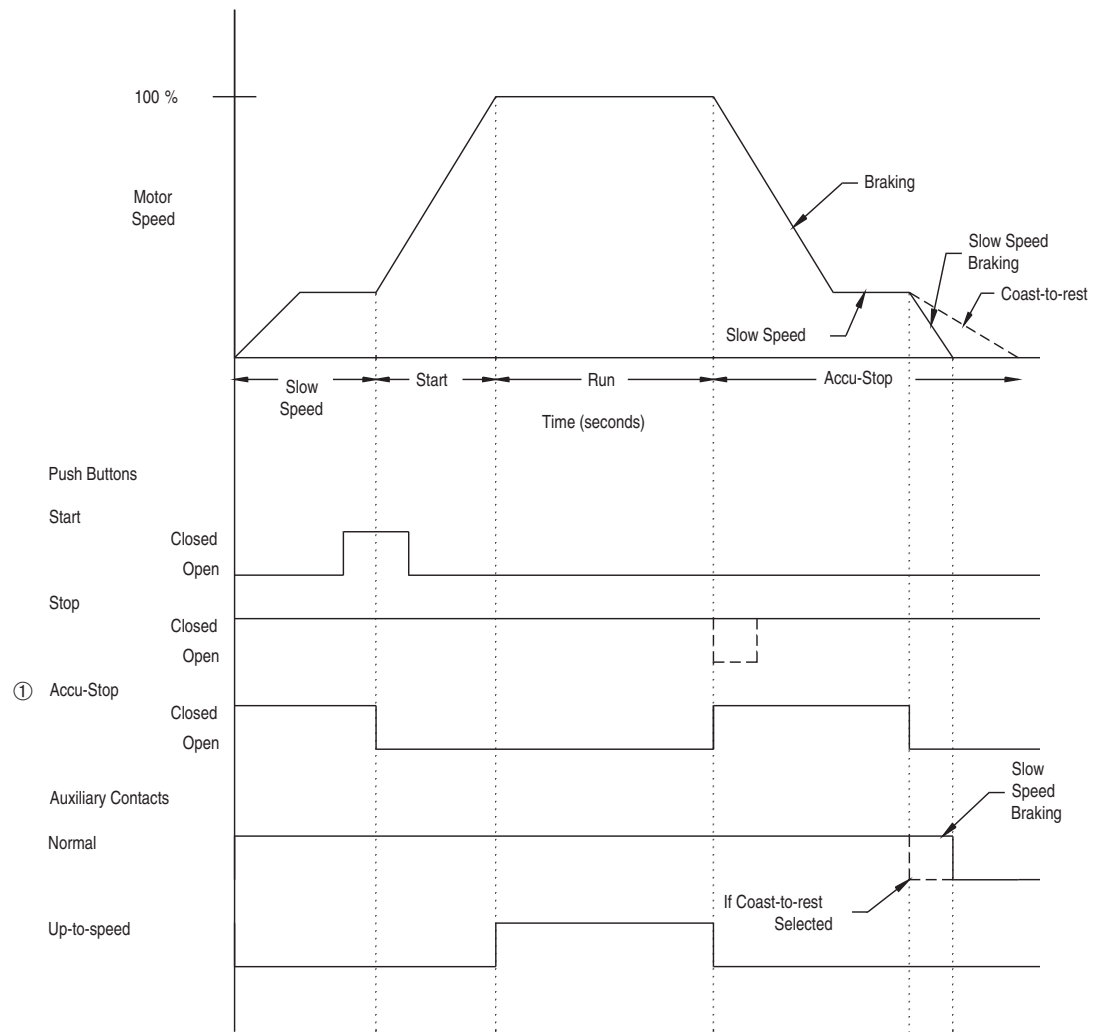


**ATTENTION**



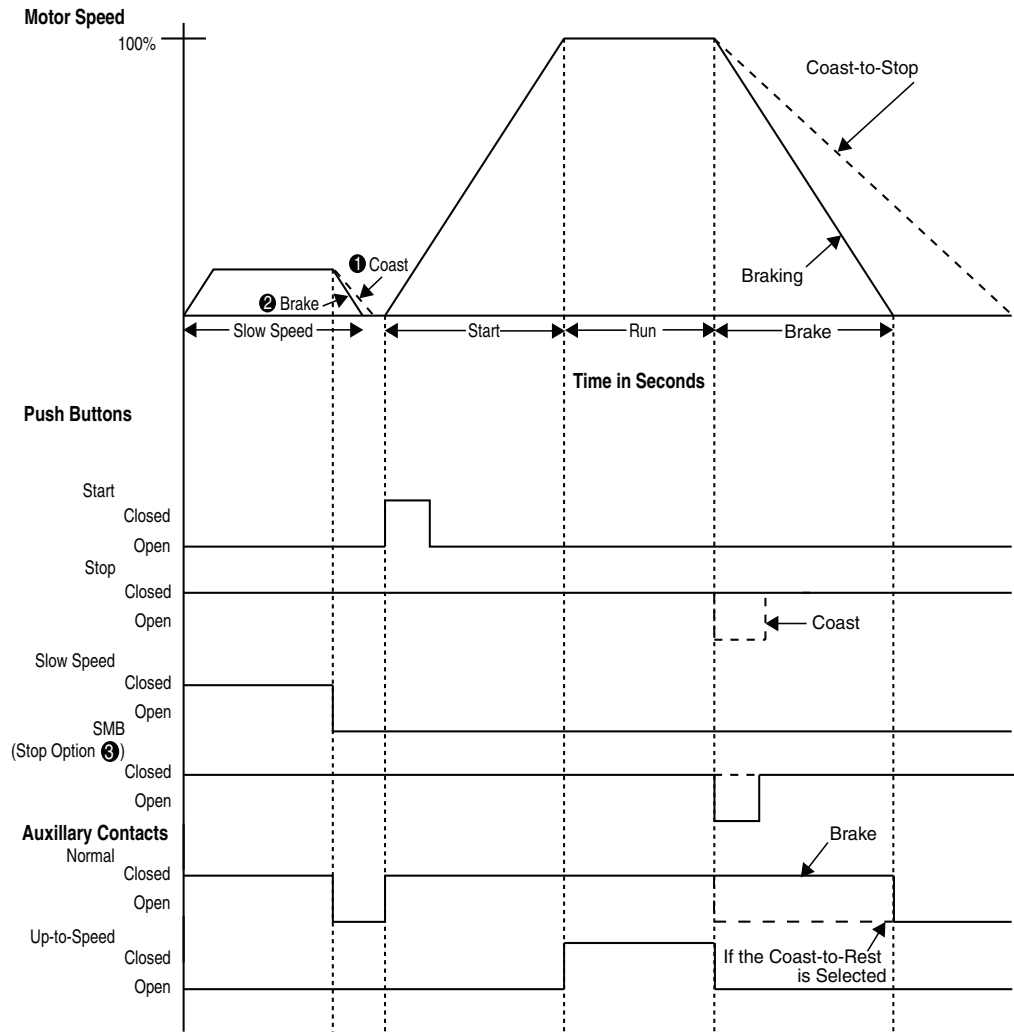
The user is responsible for determining which stopping mode is best suited to the application and will meet applicable standards for operator safety on a particular machine.

Figure 3.33 Accu-Stop Sequence of Operation

**ATTENTION**

The user is responsible for determining which stopping mode is best suited to the application and will meet applicable standards for operator safety on a particular machine.

Figure 3.34 Slow Speed with Braking Sequence of Operation



**ATTENTION**



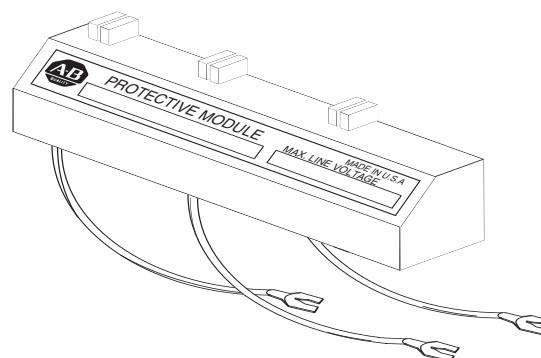
The user is responsible for determining which stopping mode is best suited to the application and will meet applicable standards for operator safety on a particular machine.

**Special Application Considerations**

Use of Protective Modules

A protective module (see Figure 3.35) containing metal oxide varistors (MOVs) can be installed to protect the power components from electrical transients and/or electrical noise. The protective modules clip transients generated on the lines and prevent such surges from damaging the SCRs.



**Figure 3.35 Protective Module**

There are two general situations that may occur which would indicate the need for using the protective modules.

1. Transient spikes may occur on the lines feeding the SMC-Flex controller (or feeding the load from the SMC-Flex controller). Spikes are created on the line when devices are attached with current-carrying inductances that are open-circuited. The energy stored in the magnetic field is released when the contacts open the circuit. Examples of these are lightly loaded motors, transformers, solenoids, and electromechanical brakes. Lightning can also cause spikes.
2. The second situation arises when the SMC-Flex controller is installed on a system that has fast-rising wavefronts present, although not necessarily high peak voltages. Lightning strikes can cause this type of response. Additionally, if the SMC-Flex controller is on the same bus as other SCR devices, (AC/DC drives, induction heating equipment, or welding equipment) the firing of the SCRs in those devices can cause noise.

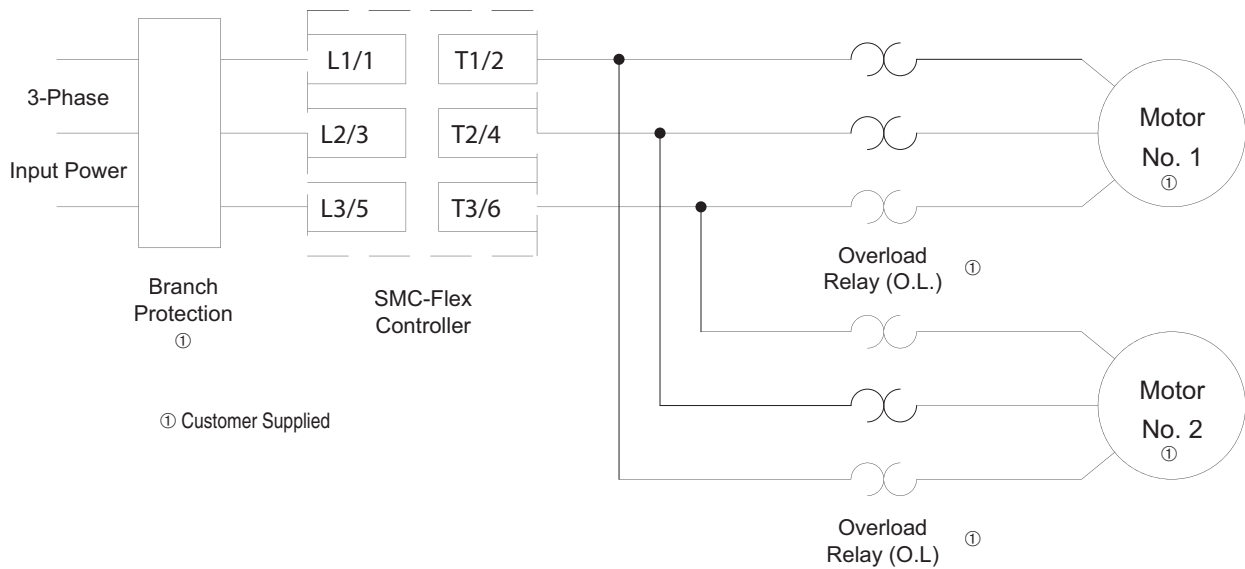
**Note:** protective modules may be placed on the line, load, or both sides of the SMC. However, protective modules must NOT be placed on the load side of the SMC when using inside-the-delta motor connections or with pump, linear speed, or braking control.

### Multi-motor Applications

The SMC-Flex controller will operate with more than one motor connected to it. To size the controller, add the total nameplate amperes of all of the connected loads. The stall and jam features should be turned off. Separate overloads are still required to meet the National Electric Code (NEC) requirements.

**Note:** The SMC-Flex controller’s built-in overload protection cannot be used in multi-motor applications.

**Figure 3.36 Multi-Motor Application**

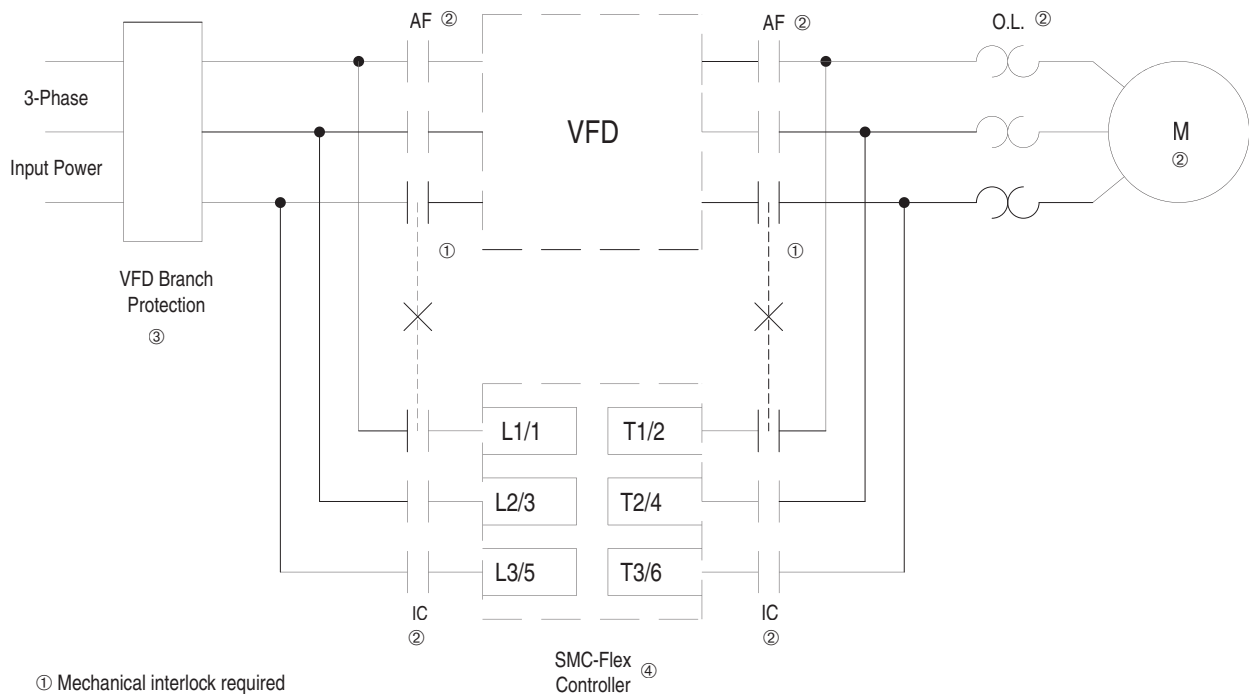


## SMC-Flex Controller as a Bypass to an AC Drive

By using the controller as shown in Figure 3.37, a soft start characteristic can be provided in the event that an AC drive is non-operational.

**Note:** A controlled acceleration can be achieved with this scheme, but speed control is not available in the bypass mode.

**Figure 3.37 Typical Application Diagram of a Bypass Contactor for an AC Drive**



① Mechanical interlock required

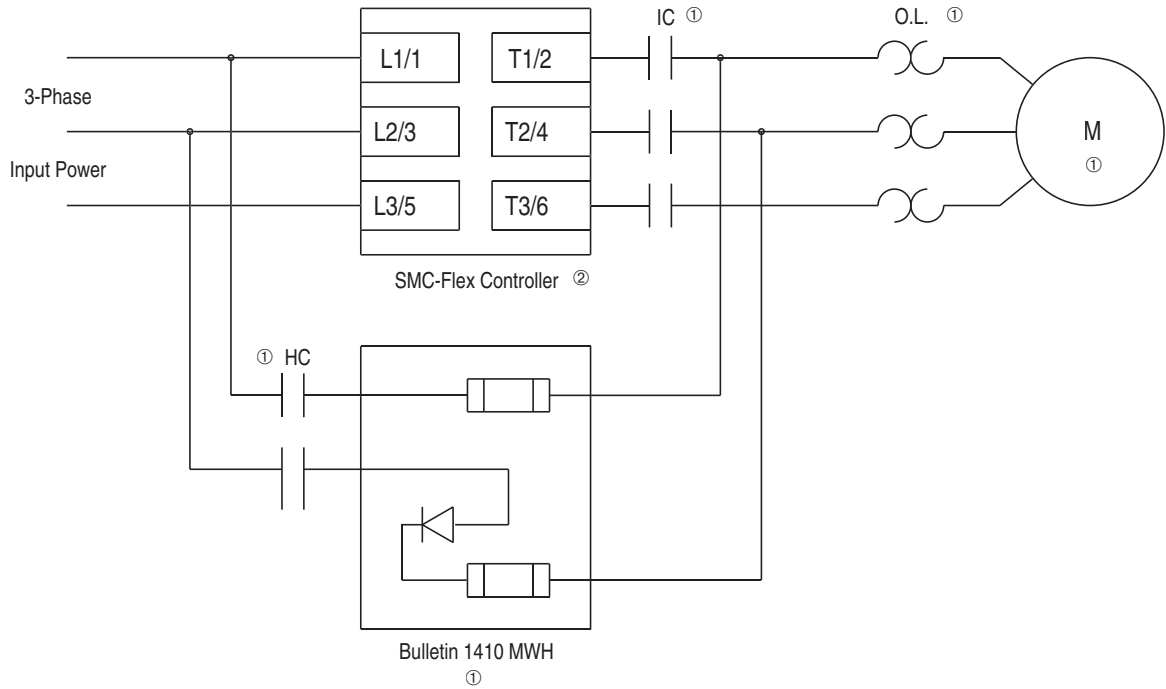
② Customer supplied

③ Many VF drives are rated 150% FLA. Because the SMC-Flex controller can be used for 600% FLA starting, separate branch circuit protection may be required.

④ Overload protection is included as a standard feature of the SMC-Flex controller.

### SMC-Flex Controller with a Bulletin 1410 Motor Winding Heater

Figure 3.38 Typical Application Diagram of SMC-Flex Controller with a Bulletin 1410 Motor Winding Heater



- ① Customer supplied.
- ② Overload protection is included as a standard feature of the SMC-Flex controller.





## Programming

### Overview

This chapter provides a basic understanding of the programming keypad built into the SMC-Flex controller. This chapter also describes programming the controller by modifying the parameters.

### Keypad Description

The keys found on the front of the SMC-Flex controller are described below.

	Escape	Exit a menu, cancel a change to a parameter value, or acknowledge a fault/alarm.
<b>Lang</b> 	Select	Select a digit, select a bit, or enter edit mode in a parameter screen. Will get to menu to change the language being displayed.
	Up/Down Arrows	Scroll through options increase/decrease a value, or toggle a bit.
	Enter	Enter a menu, enter edit mode in a parameter screen, or save a change to a parameter value.

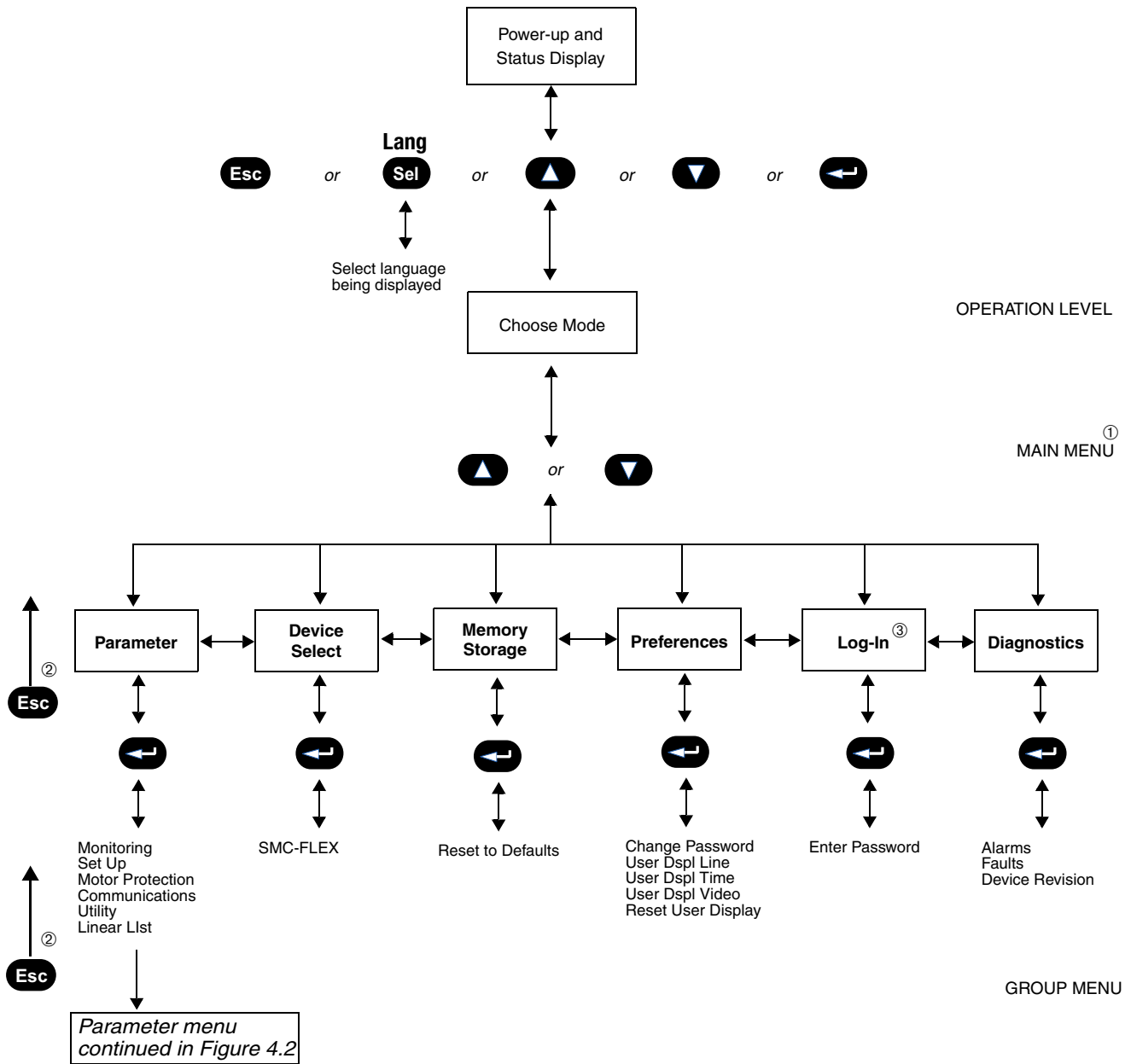
**Note:** For ease of programming values, after using the Enter key to edit, use the Sel key to jump to the digit that needs to be modified, then use the arrow keys to scroll through the digits.

### Programming Menu

Parameters are organized in a three-level menu structure for straightforward programming. Figure 4.1 details the programming menu structure and the three-level hierarchy.

In order to change parameters, the controller must be in the STOP mode, and the control voltage must be present.

Figure 4.1 Menu Structure Hierarchy

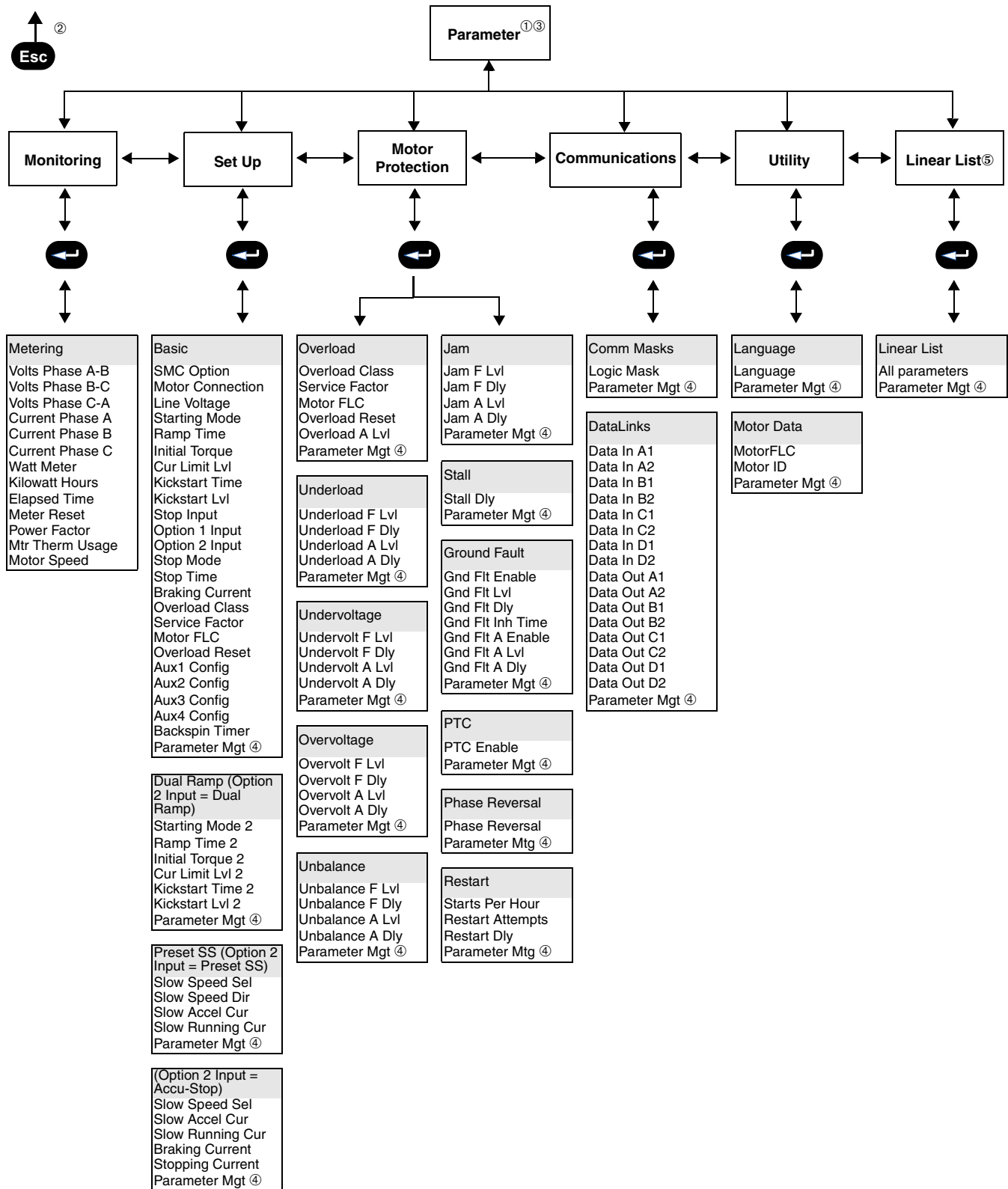


① The SMC-Flex controller does not support EEPROM, Link, Process, or Start-up modes.

② Steps back one level.

③ Only displayed if a password other than "0" is entered.

Figure 4.2 Parameter Menu Structure



- ① Depending upon SMC option selected, some parameters may not appear in product display.
- ② Steps back one level.
- ③ For further information on parameters, see Appendix B.
- ④ For further information on parameter management, see page 4-6.
- ⑤ See page 4-4 for all SMC-Flex parameters available by the Linear List.

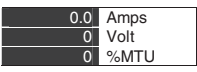

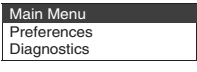


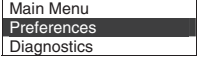

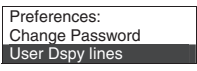


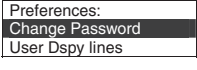



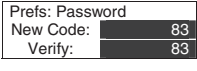


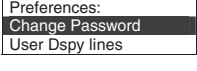
Table 4.A Parameter Linear List

Parameter No.	Description	Parameter No.	Description	Parameter No.	Description
1	Volts Phase A-B	49	OL Trip Enable/Disable	97	Data Out A2
2	Volts Phase B-C	50	Overload A Lvl	98	Data Out B1
3	Volts Phase C-A	51	Underload F Lvl	99	Data Out B2
4	Current Phase A	52	Underload F Dly	100	Data Out C1
5	Current Phase B	53	Underload A Lvl	101	Data Out C2
6	Current Phase C	54	Underload A Dly	102	Data Out D1
7	Watt Meter	55	Undervolt F Lvl	103	Data Out D2
8	Kilowatt Hours	56	Undervolt F Dly	104	Motor ID
9	Elapsed Time	57	Undervolt A Lvl	105	CT Ratio
10	Meter Reset	58	Undervolt A Dly	106	MV Ratio
11	Power Factor	59	Overvolt F Lvl	107	Aux1 Config
12	Mtr Therm Usage	60	Overvolt F Dly	108	Aux3 Config
13	Motor Speed	61	Overvolt A Lvl	109	Aux4 Config
14	SMC Option	62	Overvolt A Dly	110	Aux2 Config
15	Motor Connection	63	Unbalance F Lvl	111	Language
16	Line Voltage	64	Unbalance F Dly	112	Timed Start
17	Starting Mode	65	Unbalance A Lvl	113	I Shut Off Level
18	Ramp Time	66	Unbalance A Dly	114	UTS Level
19	Initial Torque	67	Jam F Lvl	115	Parameter Mgmt
20	Cur Limit Start	68	Jam F Dly	116	Backspin Timer
21	Reserved	69	Jam A Lvl	117	VShut Off Level
22	Kickstart Time	70	Jam A Dly	118	OL Reset Level
23	Kickstart Level	71	Stall Delay	119	Ambient Temp
24	Option Input 2	72	Gnd Flt Enable	120	Notch Position
25	Starting Mode 2	73	Gnd Flt Level	121	Notch Maximum
26	Ramp Time 2	74	Gnd Flt Delay	122	Start Delay
27	Initial Torque 2	75	Gnd Flt Inh time	123	By-pass Delay
28	Cur Limit Level 2	76	Gnd Flt A Enable	124	Fault 1
29	Reserved	77	Gnd Flt A Level	125	Fault 2
30	Kickstart Time 2	78	Gnd Flt A Delay	126	Fault 3
31	Kickstart Level 2	79	PTC Enable	127	Fault 4
32	Stop Mode	80	Phase Reversal	128	Fault 5
33	Stop Time	81	Start Per Hour	129	Ramp Time E
34	Pump Pedestal	82	Restart Attempts	130	Ramp Time 2E
35	Braking Current	83	Restart Delay	131	Stop Time E
36	Braking Time	84	Line Fault Disable	132	Option Input 1
37	Load Type	85	Emergency Run	133	Stop Input
38	High Eff Brake	86	Current Loss	134	Elapsed Time 2
39	Slow Speed Sel	87	Logic Mask		
40	Slow Speed Dir	88	Data In A1		
41	Slow Accel Cur	89	Data In A2		
42	Slow Running Cur	90	Data In B1		
43	Stopping Current	91	Data In B2		
44	Overload Class	92	Data In C1		
45	Service Factor	93	Data In C2		
46	Motor FLC	94	Data In D1		
47	Overload Reset	95	Data In D2		
48	OL Shunt Time	96	Data Out A1		



## Password

The SMC-Flex controller allows the user to limit access to the programming system through password protection. This feature is disabled with a factory-set default of 0. To modify the password, complete the procedure below.

Description	Action	Display
—	—	
1. Press the ESC key to go from the status display to the Main menu.		
2. Scroll with the Up/Down keys until the Preferences option is highlighted.	 	
3. Press the Enter key to access the Preferences menu.		
4. Scroll with the Up/Down keys until the Change Password option is highlighted.	 	
5. Press the Enter key.		
6. Press the Up/Down keys to enter the desired number. If you are modifying the password, make a note of it as displayed. Use the Sel key to highlight a single digit.	 	
7. Verification of the new password is required. Press the Enter key.		
8. Press the Enter key after you have completed modifying the password. ①		

① To complete the programming process, re-enter the Main Menu mode to log out. This will eliminate unauthorized access to the programming system.

**Note:** If you lose or forget the password, contact your local Allen-Bradley distributor.

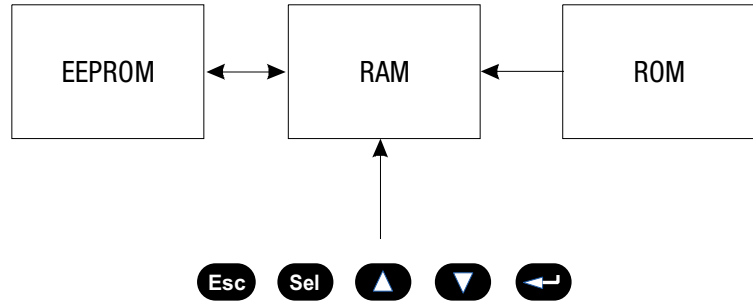
## Parameter Management

Before you begin programming, it's important to understand how the controller memory is:

- structured within the SMC-Flex controller
- used on power-up and during normal operation

Refer to Figure 4.3 and the explanations below.

**Figure 4.3 Memory Block Diagram**





### Random Access Memory (RAM)

This is the work area of the controller after it is powered up. The SMC-Flex uses an Auto Store feature when programming parameters. When parameters are modified in the program mode, the new values are stored immediately in RAM and then in EEPROM, once the enter key has been pressed. If control power is lost prior to the enter key being pressed, these values will be lost. When the device first powers up, the values from the EEPROM area of memory are copied into RAM.

### Read-only Memory (ROM)

The SMC-Flex controller comes with factory default parameter values. These settings are stored in non-volatile ROM and are displayed the first time you enter the Program mode. At any time you can restore defaults by accessing the memory storage menu.

Description	Action	Display
Recalling Defaults After parameter values have been modified, factory default settings can still be re-initialized.		

### Electrically Erasable Programmable Read-only Memory (EEPROM)

The SMC-Flex controller provides a non-volatile area for storing user-modified parameter values in the EEPROM.

## Parameter Modification

All parameters are modified using the same method. The basic steps to performing parameter modification are described below.

- Notes:**
- (1) Parameter values modified while the motor is operating are not valid until the next time that operation occurs.
  - (2) If the password is set, parameters cannot be adjusted without logging in.
  - (3) Use the Sel key to highlight a single digit.

Description	Action	Display ②						
—	—	<table border="1"> <tr><td>0.0</td><td>Amps</td></tr> <tr><td>0</td><td>Volt</td></tr> <tr><td>0</td><td>%MTU</td></tr> </table>	0.0	Amps	0	Volt	0	%MTU
0.0	Amps							
0	Volt							
0	%MTU							
1. Press the ESC key to go from the status display to the Main menu.		—						
2. Scroll with the Up/Down keys until the Parameter option is highlighted.		<table border="1"> <tr><td>Main Menu</td></tr> <tr><td>Parameter</td></tr> <tr><td>Memory Storage</td></tr> </table>	Main Menu	Parameter	Memory Storage			
Main Menu								
Parameter								
Memory Storage								
3. Press the Enter key to access the Parameter menu.		<table border="1"> <tr><td>F G P : File</td></tr> <tr><td>Monitoring</td></tr> <tr><td>Set Up</td></tr> </table>	F G P : File	Monitoring	Set Up			
F G P : File								
Monitoring								
Set Up								
4. Scroll with the Up/Down keys until the option you want to use (Monitoring, Motor Protection, etc.) is highlighted. For this example, Set Up will be used.		<table border="1"> <tr><td>F G P : File</td></tr> <tr><td>Set Up</td></tr> <tr><td>Motor Protection</td></tr> </table>	F G P : File	Set Up	Motor Protection			
F G P : File								
Set Up								
Motor Protection								
5. Press Enter to select the Set Up group.		—						
6. Scroll to Basic Set Up and press Enter. ①		<table border="1"> <tr><td>F G P : Group</td></tr> <tr><td>Basic Set Up</td></tr> </table>	F G P : Group	Basic Set Up				
F G P : Group								
Basic Set Up								
7. Scroll to the Starting Mode parameter by using the Up/Down keys, and press Enter.		<table border="1"> <tr><td>F G P : Parameter</td></tr> <tr><td>Starting Mode</td></tr> <tr><td>Ramp Time</td></tr> </table>	F G P : Parameter	Starting Mode	Ramp Time			
F G P : Parameter								
Starting Mode								
Ramp Time								
8. Press Enter to select the option. Scroll to the option of your choice by using the Up/Down keys. For this example, we will choose Current Limit.		<table border="1"> <tr><td>F G P : P# 17</td></tr> <tr><td>Starting Mode</td></tr> <tr><td>Current Lim</td></tr> </table>	F G P : P# 17	Starting Mode	Current Lim			
F G P : P# 17								
Starting Mode								
Current Lim								
9. Press the Enter key to accept the new setting.		—						
10. Scroll to the next parameter by using the Down key. Continue the process until all desired settings are entered.		<table border="1"> <tr><td>F G P : P# 18</td></tr> <tr><td>Ramp Time</td></tr> <tr><td>10 Secs</td></tr> </table>	F G P : P# 18	Ramp Time	10 Secs			
F G P : P# 18								
Ramp Time								
10 Secs								

① The SMC Option advises the user if any control option (i.e., Pump Control) is resident. This parameter is factory set and cannot be modified by the user.

② The display will indicate that the second line is now active by highlighting the first character. If the LCD display does not provide a highlighted cursor, then the controller is in the Display mode.

## Soft Start

The following parameters are specifically used to adjust the voltage ramp supplied to the motor.

Parameter	Option
<b>Starting Mode</b> This must be programmed for Soft Start.	Soft Start
<b>Ramp Time</b> ① This programs the time period that the controller will ramp the output voltage up to full voltage from the Initial Torque level programmed.	0...30 s
<b>Initial Torque</b> The initial reduced output voltage level for the voltage ramp to the motor is established and adjusted with this parameter.	0...90% locked rotor torque
<b>Kickstart Time</b> A boost of current is provided to the motor for the programmed time period.	0.0...2.0 s
<b>Kickstart Level</b> Adjusts the amount of current applied to the motor during the kickstart time.	0...90% locked rotor torque

① If the controller senses that the motor has reached full speed before completing the Soft Start, it will automatically switch to providing full voltage to the motor.

## Current Limit Start

To apply a current limit start to the motor, the following parameters are provided for user adjustment:

Parameter	Option
<b>Starting Mode</b> This must be programmed for Current Limit.	Current Limit
<b>Ramp Time</b> ① This programs the time period that the controller will hold the fixed, reduced output voltage before switching to full voltage.	0...30 s
<b>Current Limit Level</b> This parameter provides adjustability for the reduced output voltage level provided to the motor.	50...600% full load current
<b>Kickstart Time</b> A boost of current is provided to the motor for the programmed time period.	0.0...2.0 s
<b>Kickstart Level</b> Adjusts the amount of current applied to the motor during the kickstart time.	0...90% locked rotor torque

① If the controller senses that the motor has reached full speed before completing the current limit start, it will automatically switch to providing full voltage to the motor.

## Dual Ramp Start

The SMC-Flex controller provides the user with the ability to select between two Start settings. The parameters below are available in the Set Up programming mode. To obtain Dual Ramp control, Ramp #1 is located in the Basic Set Up and Ramp #2 is located in the Option 2 Input (Dual Ramp).

Parameter	Option
<b>Set Up</b> The user must select the Set Up programming mode to obtain access to the Dual Ramp parameters.	—
<b>Basic Set Up/Starting Mode</b> Set Up as stated in previous pages.	—
<b>Option 2 Input (Dual Ramp) ①</b> This allows the user the option to choose between two Soft Start profiles defined by: <ol style="list-style-type: none"> <li>1. Start Mode/Ramp Time/Initial Torque and</li> <li>2. Start Mode 2/Ramp Time 2/Initial Torque 2.</li> </ol> When this feature is turned on, the ramp time/initial torque combination is determined by a hard contact input to terminal 15. When this input signal is low, ramp time/initial torque are selected. When this input is high, ramp time 2/initial torque 2 are selected. Once the Option 2 Input has been set to Dual Ramp, you must ESC back to the Parameter (File) menu. Re-enter into the Set Up menu to show both Basic Set Up and Dual Ramp.	—
<b>Basic Set Up/Start Mode ②</b> This selects the start mode for option #1.	—
<b>Basic Set Up/Ramp Time</b> This programs the time period during which the controller will ramp the output voltage up to full voltage for the first Start setup.	0...30 s
<b>Basic Set Up/Initial Torque</b> This parameter establishes and adjusts the initial reduced output voltage level for the first Soft Start setup.	0...90% locked rotor torque
<b>Dual Ramp/Start Mode 2 ②</b> This selects the start mode for option #2.	—
<b>Dual Ramp/Ramp Time 2</b> This programs the time period during which the controller will ramp the output voltage up to full voltage for the second Start setup.	0...30 s
<b>Dual Ramp/Initial Torque 2</b> The initial reduced output voltage level for the second Start setup is established and adjusted with this parameter.	0...90% locked rotor torque

① The Dual Ramp feature is available on the standard controller.

② Kickstart can be programmed for both start modes.

## Full Voltage Start

The SMC-Flex controller may be programmed to provide a full voltage start (output voltage to the motor reaches full voltage within 1/4 second) with the following programming:

Parameter	Option
<b>Starting Mode</b> This <b>must</b> be programmed for Full Voltage.	Full Voltage

## Linear Speed

The SMC-Flex provides the user the ability to control the motor speed during starting and stopping maneuvers. A tach input is required as specified in *Linear Speed Acceleration* on page 1-6.

Parameter	Option
<b>Starting Mode</b> This <b>must</b> be programmed for Linear Speed.	Linear Speed
<b>Ramp Time</b> This programs the time period that the controller will ramp from 0 speed to full speed.	0...30 s
<b>Kickstart Time</b> A boost of current is provided to the motor for the programmed time period.	0.0...2.2 s
<b>Kickstart Level</b> Adjusts the amount of current applied to the motor during the kickstart time.	0...90% locked rotor torque

## Programming Parameters

The following table provides the option-specific parameters that are provided with each control option. These parameters are in addition to those already discussed in the Basic Set Up and Metering groups. Diagrams supporting the options described below are shown later in this chapter.

Option	Parameter	Range
<b>Standard</b>		
<b>Soft Stop</b>	<b>SMC Option</b> This parameter identifies the type of control present and is not user programmable.	Standard
	<b>Soft Stop Time</b> Allows the user to set the time period for the soft stopping function.	0...120 s
<b>Preset Slow Speed</b>	<b>SMC Option</b> This parameter identifies the type of control present and is not user programmable.	Standard
	<b>Slow Speed Select</b> Allows the user to program the slow speed that best fits the application.	Low: 7% – forward, 10% – reverse High: 15% – forward, 20% – reverse
	<b>Slow Speed Direction</b> This parameter programs the slow speed motor rotational direction.	Forward, Reverse
	<b>Slow Accel Current</b> Allows the user to program the required current to accelerate the motor to slow speed operation.	0...450% of full load current
	<b>Slow Running Current</b> Allows the user to program the required current to operate the motor at the slow speed setting.	0...450% of full load current

Option	Parameter	Range
<b>Pump Control</b>		
<b>Pump Control</b>	<b>SMC Option</b> This parameter identifies the type of control present and is not user programmable.	Pump Control
	<b>Pump Stop Time</b> Allows the user to set the time period for the pump stopping function.	0...120 s
	<b>Starting Mode</b> Allows the user to program the SMC-Flex controller for the type of starting that best fits the application.	Pump Start, Soft Start, Current Limit Start
<b>Braking Control</b>		
<b>SMB Smart Motor Braking</b>	<b>SMC Option</b> This parameter identifies the type of control present and is not user programmable.	Braking Control
	<b>Braking Current</b> ① Allows the user to program the intensity of the braking current applied to the motor.	0...400% of full load current
<b>Accu-Stop</b>	<b>SMC Option</b> This parameter identifies the type of control present and is not user programmable.	Braking Control
	<b>Slow Speed Select</b> Allows the user to program the slow speed that best fits the application.	Low:7% High:15%
	<b>Slow Accel Current</b> Allows the user to program the required current to accelerate the motor to slow speed operation.	0...450% of full load current
	<b>Slow Running Current</b> Allows the user to program the required current to operate the motor at the slow speed setting.	0...450% of full load current
	<b>Braking Current</b> ① Allows the user to program the intensity of the braking current applied to the motor.	0...400% of full load current
	<b>Stopping Current</b> ① Allows the user to program the intensity of the braking current applied to the motor from slow speed operation.	0...400% of full load current



Option	Parameter	Range
<b>Slow Speed with Braking</b>	<b>SMC Option</b> This parameter identifies the type of control present and is not user programmable.	Braking Control
	<b>Slow Speed Select</b> Allows the user to program the slow speed that best fits the application.	Low:7% High:15%
	<b>Slow Accel Current</b> Allows the user to program the required current to accelerate the motor to slow speed operation.	0...450% of full load current
	<b>Slow Running Current</b> Allows the user to program the required current to operate the motor at the slow speed setting.	0...450% of full load current
	<b>Braking Current</b> ① Allows the user to program the intensity of the braking current applied to the motor.	0...400% of full load current

① All braking/stopping current settings in the range of 1...100% will provide 100% braking current to the motor.

## Basic Set Up

The Basic Set Up programming group provides a limited parameter set, allowing quick start-up with minimal adjustment. If the user is planning to implement some of the advanced features (e.g., Dual Ramp, or Preset Slow Speed), then the Setup programming group should be selected. It provides all the Basic Set Up parameter set plus the advanced set.

Parameter	Option
<b>SMC Option</b> Displays the type of controller. This is factory set and not adjustable.	Standard
<b>Motor Connection</b> Displays the motor type to which the device is being connected.	Line or Delta
<b>Line Voltage</b> Displays the system line voltage to which the unit is connected.	
<b>Starting Mode</b> Allows the user to program the SMC-Flex controller for the type of starting that best fits the application.	Soft Start, Current Limit, Full Voltage, Linear Speed
<b>Ramp Time</b> This sets the time period during which the controller will ramp the output voltage.	0...30 s
<b>Initial Torque</b> ① The initial reduced voltage output level for the voltage ramp is established and adjusted with this parameter.	0...90% of locked rotor torque
<b>Current Limit Level</b> ② The current limit level that is applied for the Ramp Time selected.	50...600% FLC
<b>Kickstart Time</b> A boost current is provided to the motor for the programmed time period.	0.0...2.0 s
<b>Kickstart Level</b> Adjusts the amount of current applied to the motor during kickstart.	0...90% of locked rotor torque
<b>Stop Input</b> Allows the user to select the operation of terminal 18, Stop Input.	Coast, Stop Option
<b>Option 1 Input</b> Allows the user to select the operation of terminal 16, Option Input #1.	Disable, Coast, Stop Option, Fault, Fault NC, Network
<b>Option 2 Input</b> Allows the user to select the operation of terminal 15, Option Input #2.	Disable, Slow Speed, Dual Ramp, Fault, Fault NC, Network, Clear Fault
<b>Stop Mode</b> Allows the user to program the SMC-Flex controller for the type of stopping that best fits the application.	Disable, Soft Stop, Linear Speed
<b>Stop Time</b> This sets the time period which the controller will ramp the voltage during a stopping maneuver.	0.0...120 s
<b>Overload Class</b>	Disable, 10, 15, 20, 30
<b>Service Factor</b>	0.01...1.99
<b>Motor FLC</b>	1.0...2200
<b>OL Reset</b>	Auto, Manual
<b>Aux1 Config</b> Contact is provided as standard with the SMC-Flex controller. This contact is located at terminals 19 and 20. Aux Contacts 1 allows the user to configure the operation of the contacts.	Normal, Up-to-speed, Fault, Alarm, Network Control, External Bypass: (N.O./N.C.)
<b>Aux2 Config</b> Contact is provided as standard with the SMC-Flex controller. This contact is located at terminals 29 and 30. Aux Contacts 2 allows the user to configure the operation of the contacts.	Normal, Up-to-speed, Fault, Alarm, Network Control, External Bypass: (N.O./N.C.)
<b>Aux3 Config</b> Contact is provided as standard with the SMC-Flex controller. This contact is located at terminals 31 and 32. Aux Contacts 3 allows the user to configure the operation of the contacts.	Normal, Up-to-speed, Fault, Alarm, Network Control, External Bypass: (N.O./N.C.)
<b>Aux4 Config</b> Contact is provided as standard with the SMC-Flex controller. This contact is located at terminals 33 and 34. Aux Contacts 4 allows the user to configure the operation of the contacts.	Normal, Up-to-speed, Fault, Alarm, Network Control, External Bypass: (N.O./N.C.)
<b>Parameter Mgmt</b> Recall of factory default parameter values.	Ready, Load Default

① Starting Mode must be programmed to Soft Start to obtain access to the Initial Torque parameter.

② Starting Mode must be programmed to Current Limit to obtain access to the Current Limit Level parameter.

**ATTENTION**

For overload protection, it is critical that the data be entered as it appears on the motor nameplate.



## Motor Protection

While the Basic Set Up group allows the user to get started with a minimum number of parameters to modify, the Motor Protection group allows full access to the SMC-Flex controller's powerful parameter set. Following is a listing of the additional setup parameters provided.

**Note:** The majority of parameters have a Fault and an Alarm setting.

Parameter	Option
<b>Overload</b> Allows the user to select the operation of the overload:	Trip Class, Service Factor, Motor FLC, Overload Reset, Overload Alarm Level
<b>Underload</b> ② Determines the trip level as a percentage of the motor's FLA, and the delay period.	Underload Fault Level, Underload Fault Delay, Underload Alarm Level, Underload Alarm Delay
<b>Undervoltage</b> ① Determines the trip level as a percentage of the line voltage and the delay period.	Undervoltage Fault Level, Undervoltage Fault Delay, Undervoltage Alarm Level, Undervoltage Alarm Delay
<b>Overvoltage</b> ① Determines the trip level as a percentage of line voltage and delay period.	Overvoltage Fault Level, Overvoltage Fault Delay, Overvoltage Alarm Level, Overvoltage Alarm Delay
<b>Unbalance</b> ① Allows the user to set the current unbalance trip level and delay period.	Unbalance Fault Level, Unbalance Fault Delay, Unbalance Alarm Level, Unbalance Alarm Delay
<b>Jam</b> ② Determines the trip level as a percentage of motor full load current and delay period.	Jam Fault Level, Jam Fault Delay, Jam Alarm Level, Jam Alarm Delay
<b>Stall</b> Allows the user to set the stall delay time.	Stall Delay
<b>Ground Fault</b> ③ Allows the user to enable the ground fault level in amps, delay time, and inhibit time.	Ground Fault Enable, Ground Fault Level, Ground Fault Delay, Ground Fault Inhibit Time, Ground Fault Alarm Enable, Ground Fault Alarm Level, Ground Fault Alarm Delay
<b>Motor PTC</b> ④ Allows the user to connect a PTC to the SMC and enable a fault when it becomes active.	PTC Enable
<b>Phase Reversal</b> Determines the proper orientation of line connections to the SMC. If Enabled and phases are out of sequence, a fault will be indicated.	Phase Reversal
<b>Restarts</b> Allows the user to determine the maximum number of restarts per hour the unit can experience, and delay time between consecutive starts.	Restarts Per Hour, Restart Attempts, Restart Delay

① The delay time must be set to a value greater than zero when Undervoltage, Overvoltage, and Unbalance are enabled.

② For Jam and Underload detection to function, the Motor FLC must be programmed in the Motor Protection group. See Chapter 5 for instructions.

③ See details in *Ground Fault* on page 1-15.

④ See details in *Thermistor/PTC Protection* on page 1-17.

## Example Settings

### Undervoltage ①

With Line Voltage programmed for 480V and the Undervoltage level programmed for 80%, the trip value is 384V.

### Overvoltage ①

With Line Voltage programmed for 240V and the Overvoltage level programmed for 115%, the trip value is 276V.

### Jam ②③

With Motor FLC programmed for 150 A and the Jam level programmed for 400%, the trip value is 600 A.

### Underload ②

With Motor FLC programmed for 90 A and the Underload level programmed for 60%, the trip value is 54 A.

- ① The average value of the three phase-to-phase voltages is utilized.
- ② The largest value of the three phase currents is utilized.
- ③ The SMC-Flex will self-protect.












## Metering

### Overview




While the SMC-Flex controller operates your motor, it also monitors several different parameters, providing a full function metering<sup>①</sup> package.

### Viewing Metering Data

To access the metering information, follow the procedure below.

Description	Action	Display						
—	—	<table border="1" style="width: 100%;"> <tr><td style="text-align: right;">##.#</td><td>Amps</td></tr> <tr><td style="text-align: right;">###</td><td>Volt</td></tr> <tr><td style="text-align: right;">##</td><td>%MTU</td></tr> </table>	##.#	Amps	###	Volt	##	%MTU
##.#	Amps							
###	Volt							
##	%MTU							
1. Press any of the following keys to access the Main Menu.	   	<table border="1" style="width: 100%;"> <tr><td>Main Menu</td></tr> <tr><td style="background-color: #cccccc;">Parameter</td></tr> <tr><td>Memory Storage</td></tr> </table>	Main Menu	Parameter	Memory Storage			
Main Menu								
Parameter								
Memory Storage								
2. Scroll with the Up/Down keys until the Parameter option is shown.	 	<table border="1" style="width: 100%;"> <tr><td>Main Menu</td></tr> <tr><td style="background-color: #cccccc;">Parameter</td></tr> <tr><td>Memory Storage</td></tr> </table>	Main Menu	Parameter	Memory Storage			
Main Menu								
Parameter								
Memory Storage								
3. Press the Enter key to select the Parameter option.		—						
4. Scroll with the Up/Down keys until the Monitoring option is displayed.	 	<table border="1" style="width: 100%;"> <tr><td>F G P : File</td></tr> <tr><td style="background-color: #cccccc;">Monitoring</td></tr> <tr><td>Set Up</td></tr> </table>	F G P : File	Monitoring	Set Up			
F G P : File								
Monitoring								
Set Up								
5. Press the Enter key to access the Monitoring group.		—						
6. Press the Enter key to access the Metering group.		<table border="1" style="width: 100%;"> <tr><td>F G P : Group</td></tr> <tr><td style="background-color: #cccccc;">Metering</td></tr> </table>	F G P : Group	Metering				
F G P : Group								
Metering								

<sup>①</sup> Refer to *Metering* on page 1-19 or Figure 4.2 on page 4-3 for details on the metering functions.

Description	Action	Display																																																
<p>7. Scroll through the Metering parameters with the Up/Down keys to access the desired information. Press the Enter key to view that parameter.</p>	  	<table border="1"> <tr> <td>F G P:</td> <td>P# 1</td> </tr> <tr> <td>Volts Phase A-B</td> <td>### Volt</td> </tr> <tr> <td>F G P:</td> <td>P# 2</td> </tr> <tr> <td>Volts Phase B-C</td> <td>### Volt</td> </tr> <tr> <td>F G P:</td> <td>P# 3</td> </tr> <tr> <td>Volts Phase C-A</td> <td>### Volt</td> </tr> <tr> <td>F G P:</td> <td>P# 4</td> </tr> <tr> <td>Current Phase A</td> <td>##.# Amps</td> </tr> <tr> <td>F G P:</td> <td>P# 5</td> </tr> <tr> <td>Current Phase B</td> <td>##.# Amps</td> </tr> <tr> <td>F G P:</td> <td>P# 6</td> </tr> <tr> <td>Current Phase C</td> <td>##.# Amps</td> </tr> <tr> <td>F G P:</td> <td>P# 7</td> </tr> <tr> <td>Watt Meter</td> <td>##.# KW</td> </tr> <tr> <td>F G P:</td> <td>P# 8</td> </tr> <tr> <td>Kilowatt Hours</td> <td>##.# KWH</td> </tr> <tr> <td>F G P:</td> <td>P# 9</td> </tr> <tr> <td>Elapsed Time</td> <td>##.# Hour</td> </tr> <tr> <td>F G P:</td> <td>P# 10</td> </tr> <tr> <td>Meter Reset</td> <td>No</td> </tr> <tr> <td>F G P:</td> <td>P# 11</td> </tr> <tr> <td>Power Factor</td> <td>##.#</td> </tr> <tr> <td>F G P:</td> <td>P# 12</td> </tr> <tr> <td>Mtr Therm Usage</td> <td>## %MTU</td> </tr> </table>	F G P:	P# 1	Volts Phase A-B	### Volt	F G P:	P# 2	Volts Phase B-C	### Volt	F G P:	P# 3	Volts Phase C-A	### Volt	F G P:	P# 4	Current Phase A	##.# Amps	F G P:	P# 5	Current Phase B	##.# Amps	F G P:	P# 6	Current Phase C	##.# Amps	F G P:	P# 7	Watt Meter	##.# KW	F G P:	P# 8	Kilowatt Hours	##.# KWH	F G P:	P# 9	Elapsed Time	##.# Hour	F G P:	P# 10	Meter Reset	No	F G P:	P# 11	Power Factor	##.#	F G P:	P# 12	Mtr Therm Usage	## %MTU
F G P:	P# 1																																																	
Volts Phase A-B	### Volt																																																	
F G P:	P# 2																																																	
Volts Phase B-C	### Volt																																																	
F G P:	P# 3																																																	
Volts Phase C-A	### Volt																																																	
F G P:	P# 4																																																	
Current Phase A	##.# Amps																																																	
F G P:	P# 5																																																	
Current Phase B	##.# Amps																																																	
F G P:	P# 6																																																	
Current Phase C	##.# Amps																																																	
F G P:	P# 7																																																	
Watt Meter	##.# KW																																																	
F G P:	P# 8																																																	
Kilowatt Hours	##.# KWH																																																	
F G P:	P# 9																																																	
Elapsed Time	##.# Hour																																																	
F G P:	P# 10																																																	
Meter Reset	No																																																	
F G P:	P# 11																																																	
Power Factor	##.#																																																	
F G P:	P# 12																																																	
Mtr Therm Usage	## %MTU																																																	

The metering values that are displayed on the SMC-Flex can be modified to show your desired values by accessing Main Menu / Preferences.

## Optional HIM Operation

### Overview







The SMC-Flex controller offers a variety of unique control options that provide enhanced motor starting and stopping capabilities. (See chapter 1 for brief descriptions of each option.)













**Note:** Only one option can reside in a controller.

### Human Interface Module

The control buttons available with the Bulletin 20-HIM LCD Human interface modules are compatible with the SMC-Flex controller's control options. The following table details the functionality of each button with regards to each option.

**Notes:** (1) The logic mask port must be enabled prior to initiating control commands to the SMC-Flex controller. Refer to *HIM Control Enable* on page 7-4 for instructions.  
 (2) The control terminals must be wired according to Figure 3.14 on page 3-16 or Figure 3.25 on page 3-27.

Option	Action	Operation
<b>Standard</b>		
Soft Stop Current Limit Full Voltage Linear Speed		The green start button, when pressed, will commence motor acceleration to full speed.
		The red stop button, when pressed, will provide a coast stop, and/or reset a fault.
		The jog button, when pressed, will initiate the programmed maneuver.
Preset Slow Speed		The green start button, when pressed, will commence motor acceleration to full speed.
		The red stop button, when pressed, will provide a coast stop and/or reset a fault.
		The jog button is not active for Preset Slow Speed. * Slow Speed cannot be operated via the HIM.

Option	Action	Operation
<b>Pump Control</b>		
Pump Control		The green start button, when pressed, will commence motor acceleration to full speed.
		The red stop button, when pressed, will provide a coast stop, and/or reset a fault.
		The jog button, when pressed, will initiate a pump stop maneuver.
<b>Braking Control</b>		
Smart Motor Braking		The green start button, when pressed, will commence motor acceleration to full speed.
		The red stop button, when pressed, will provide a coast stop, and/or reset a fault.
		The jog button, when pressed, will initiate a brake stop.
Accu-Stop		The green start button, when pressed, will commence motor acceleration to full speed.
		The red stop button, when pressed, will provide a coast stop, and/or reset a fault.
		With a “stopped” status, the jog button, when pressed, will initiate slow speed motor operation. From an “at speed” condition, the jog button, when pressed, will initiate braking to slow speed operation. The controller will maintain slow speed operation as long as the jog button is pressed.
Slow Speed with Braking		The green start button, when pressed, will commence motor acceleration to full speed.
		The red stop button, when pressed, will provide a coast stop, and/or reset a fault.
		The jog button will initiate a brake stop. * Slow Speed cannot be operated via the HIM.

**ATTENTION**

The Bulletin 20-HIM LCD Human interface module's stop push button is not intended to be used as an emergency stop. Refer to applicable standards for emergency stop requirements.



## Communications

### Overview

The SMC-Flex provides advanced communications capabilities that allow it to be started and stopped from multiple sources as well as provide diagnostic information through the use of communication interfaces. The SMC-Flex uses the DPI method of communication, therefore all standard DPI communication interfaces used by other devices (i.e., PowerFlex™ Drives) can be used in the SMC-Flex. ScanPort devices are not supported by the SMC-Flex.

Standard DPI communications cards are available for various protocols including DeviceNet, ControlNet, Remote I/O, ModBus™, and Profibus® DP. Other modules may be available in the future. For specific programming examples, configuration, or programming information, refer to the user manual for the communication interface being used. A list of available interfaces is located below.

**Table 7.A**

Protocol Type	Cat. No.	User Manual
DeviceNet	20-COMM-D	20COMM-UM002 <sup>①</sup> -EN-P
ControlNet	20-COMM-C	20COMM-UM003 <sup>①</sup> -EN-P
Remote I/O	20-COMM-R	20COMM-UM004 <sup>①</sup> -EN-P
Profibus®	20-COMM-P	20COMM-UM006 <sup>①</sup> -EN-P
RS-485	20-COMM-S	20COMM-UM005 <sup>①</sup> -EN-P
InterBus	20-COMM-I	20COMM-UM007 <sup>①</sup> -EN-P
EtherNet/IP	20-COMM-E	20COMM-UM010 <sup>①</sup> -EN-P
RS485 HVAC	20-COMM-H	20COMM-UM009 <sup>①</sup> -EN-P
ControlNet (Fiber)	20-COMM-Q	20COMM-UM003 <sup>①</sup> -EN-P

<sup>①</sup> Denotes revision level of user manual. Example: Publication 20COMM-UM002<sup>C</sup>-EN-P is at revision C.

### Communication Ports

The SMC-Flex supports three DPI ports for communication. Ports 2 and 3 are supported through the serial connection on the side of the device and are typically used to interface with a Human Interface Module (HIM). Port 2 is the default connection with port 3 available by installing a splitter on port 2. Port 5 is supported by connecting one of the communication cards listed above to the internal DPI comm card connection.

## Human Interface Module





The SMC-FLEX controller can be programmed with the built-in keypad and LCD display or with our optional Bulletin 20-HIM LCD human interface modules. Parameters are organized in a three-level menu structure and divided into programming groups.

**Note:** Node addressing of the DPI communication card can be programmed via software or a hand-held DPI HIM. The on-board HIM cannot be used to address the communication card.

### Keypad Description

The functions of each programming key are described below.

**Table 7.B Keypad Descriptions**

	<b>Escape</b>	Exit a menu, cancel a change to a parameter value, or acknowledge a fault/alarm.
	<b>Select</b>	Select a digit, select a bit, or enter edit mode in a parameter screen.
	<b>Up/Down Arrows</b>	Scroll through options increase/decrease a value, or toggle a bit.
	<b>Enter</b>	Enter a menu, enter edit mode in a parameter screen, or save a change to a parameter value.

**Note:** If a human interface module is disconnected from the SMC-Flex controller while the Logic Mask is set to 1, a “Coms Loss” fault will occur.

**Note:** For ease of programming values, after using the Enter key to edit, use the Sel key to jump to the digit that needs to be modified, then use the arrow keys to scroll through the digits.

The Bulletin 20-HIM LCD interface modules may be used to program and control the SMC-Flex controller. The human interface modules have two sections: a display panel and a control panel. The display panel duplicates the 3-line, 16-character backlit LCD display and programming keypad found on front of the SMC-Flex controller. Refer to Chapter 4 for a description of the programming keys; refer to Appendix D for a listing of human interface module catalog numbers that are compatible with the controller.

**Note:** Bulletin 20-HIM Rev3.002 or later must be utilized with the SMC-Flex.

**Note:** Extension cables are available up to a maximum of 10 m in total length.

**Note:** A maximum of two HIM modules can be installed.

---

The control panel provides the operator interface to the controller.

**Start**

The green start button, when pressed, will begin motor operation. (Proper setup of the HIM port is required.)

**Stop**

The red stop button, when pressed, will halt motor operation and/or reset a fault.

**Jog**

The jog button is active only when a control option is present. Pressing the jog button will initiate the option maneuver (for example: Pump Stop).

---

**ATTENTION**

The Bulletin 20-HIM interface module's stop push button is not intended to be used as an emergency stop. Refer to the applicable standards for emergency stop requirements.

**ATTENTION**

The external HIM has a similar programming operation to the built-in programmer, but note that differences do exist.

---

All other controls available with the various human interface modules are non-functional with the SMC-Flex controller.

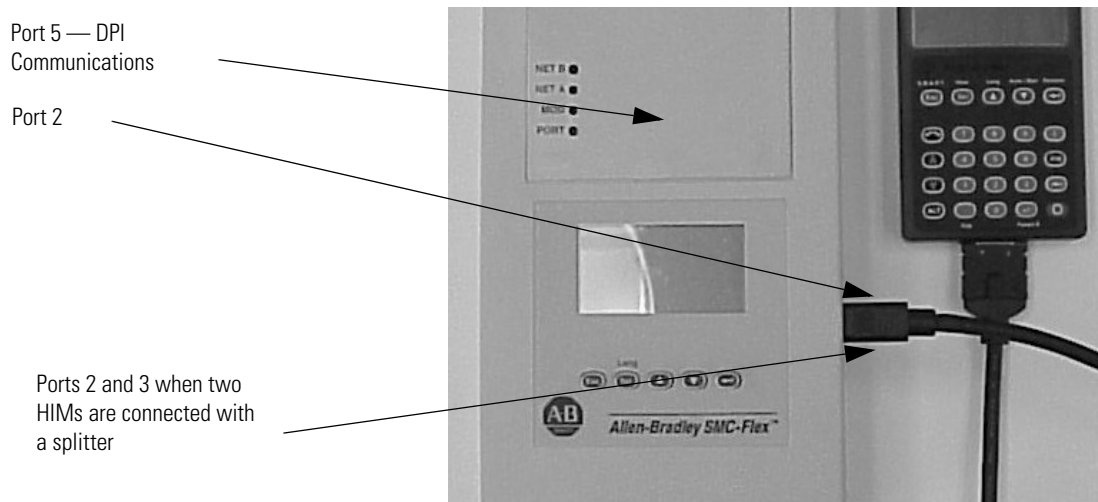
## Connecting the Human Interface Module to the Controller

Figure 7.1 shows the connection of the SMC-Flex controller to a human interface module. Table 7.C provides a description of each port.

**Note:** The SMC-Flex only supports the use of DPI communication modules and DPI HIM LCD Modules. Scanport devices are not supported by the SMC-Flex.

See Figure 3.14 on page 3-16 for the control wiring diagram that enables start-stop control from a human interface module.

**Figure 7.1 SMC-Flex Controller with Human Interface Module**



**Table 7.C Description of Ports**

Port #	Description
1	Unused — not available for use
2	First 20-HIM connected to SMC-Flex
3	Second 20-HIM connected to SMC-Flex
5	DPI Communication Board port

### HIM Control Enable

To enable motor control from a connected human interface module, follow the procedure below with the connected human interface module's programming keys.

The Bulletin 20-HIM LCD human interface modules with control panels can start and stop the SMC-FLEX controller. However, the factory default settings disable control commands other than Stop through the serial communication port.

To enable motor control from a connected human interface module or communication module, you must take the following programming steps:

1. Disconnect the HIM and allow to power down.
2. Reconnect the HIM. On Initializing screen, the bottom right corner of LCD shows Port X. Note this port number.



3. Go to Logic Mask, found as follows:  
Main Menu: Parameter/Communications/Comm Mask/Logic Mask



4. Set b0X equal to 1 (where X is the port number noted in step 2).

**Important:** The Logic Mask must be set to 0 prior to disconnecting a human interface module from the SMC-FLEX controller. If not, the unit will fault on a “Coms Loss”.

If enabling control from the built-in SMC-Flex programmer, the Logic Mask must be set as follows:

**Table 7.D Logic Mask Requirements**

Mask Code	Description
0	No external DPI devices are enabled
4	Only HIM on port 2 is enabled
12	Two HIMs are enabled on ports 2 and 3
32	Only the DPI communication card on port 5 is enabled
36	HIM on port 2 and the DPI communication card on port 5 in enabled
44	Two HIMs on ports 2 and 3 and the DPI communication card on port 5 is enabled

## Control Enable

The Logic Mask parameter (Parameter 87) allows the user to configure whether a communication device (HIM or network connection) can perform control commands such as starting. Each communication port can be enabled or disabled as required. When a given device is enabled through the logic mask that device is allowed to execute control commands. In addition, disconnecting any device with the logic mask enabled will result in a communication fault unless the communication fault is disabled. When a given device is disabled through the logic mask that device cannot execute control commands, but can still be used for monitoring. A device that is disabled through the logic mask can be disconnected without causing a fault.

### **IMPORTANT**

Stop commands override all start commands and can be initiated from the hardwired inputs or any port regardless of the logic mask.

## Loss of Communication and Network Faults

The loss of communication fault will follow the functionality as defined in the DPI specification. There will be separate faults for each device. Since three DPI ports are supported there will be three faults that can be generated.

DPI provides a separate network fault for each port. This fault can be generated directly by the peripheral and is separate from the Communications Loss fault (which is actually generated by the SMC-Flex itself).

## SMC-Flex Specific Information

The SMC-Flex can be used with all LCD applicable DPI interface. Regardless of the type of interface being used, the information below can be used to configure the rest of the system.

### Default Input/Output Configuration

The default configuration for I/O is 4 bytes in and 4 bytes out (TX = 4 bytes, RX = 4 bytes). The total size may vary when used with a communication card. The default configuration is arranged according to the following table.

**Table 7.E**

	Produced Data (Status)	Consumed Data (Control)
<b>Word 0</b>	Logic Status	Logic Command
<b>Word 1</b>	Feedback ❶	Reference ❷

- ❶ The feedback word is always Current in Phase A
- ❷ The reference word is not used with the SMC-Flex, however the space must be reserved

**Note:** The total size produced or consumed may vary, depending on the communication card being used. For more information, refer to the User Manual for the communication card.

### Variable Input/Output Configuration

The SMC-Flex supports 16-bit DataLinks. Therefore, the device can be configured to return additional information. The I/O message size depends on how many DataLinks are enabled. The following table summarizes the I/O data sizes.

**Table 7.F**

Rx Size	Tx Size	Logic Status/Command (16-bit)	Reference/FeedBack (16-bit)	DataLinks			
				A	B	C	D
4	4	x	x				
8	8	x	x	x			
12	12	x	x	x	x		
16	16	x	x	x	x	x	
20	20	x	x	x	x	x	x

To configure DataLinks, refer to *Configuring DataLinks* on page 7-10.

### SMC — Flex Bit Identification

**Table 7.G Logic Status Word**

Bit #																Status	Description
15	14	13	12	11	10	9	8	7	6	5	4	3	2	1	0		
															X	Enabled	1 — Control Power Applied 0 — No Control Power
														X		Running	1 — Power Applied to Motor 0 — Power <b>not</b> Applied to Motor
													X			Phasing	1 — ABC Phasing 0 — CBA Phasing
												X				Phasing Active	1 — 3-phase is valid 0 — No valid 3-phase detected
											X					Starting (Accel)	1 — Performing a Start Maneuver 0 — Not Performing a Start Maneuver
										X						Stopping (Decel)	1 — Performing a Stop Maneuver 0 — Not Performing a Stop Maneuver
									X							Alarm	1 — Alarm Present 0 — No Alarm Present
								X								Fault	1 — Fault Condition Exists 0 — No Fault Condition
							X									At Speed	1 — Full Voltage Applied 0 — Not Full Voltage Applied
						X										Start/Isolation	1 — Start/Isolation Contactor Enabled 0 — Start/Isolation Contactor Disabled
					X											Bypass	1 — External Bypass Contactor Enabled 0 — External Bypass Contactor Disabled
				X												Ready	1 — Ready 0 — Not Ready
			X													Option 1 Input	1 — Input Active 0 — Input Inactive
		X														Option 2 Input	1 — Input Active 0 — Input Inactive
—																—	Bits 14 and 15 — Not Used



**Table 7.H Logic Command Word (Control)**

Bit #																Status	Description
15	14	13	12	11	10	9	8	7	6	5	4	3	2	1	0		
															X	Stop	1 — Stop/Inhibit 0 — No Action
															X	Start	1 — Start 0 — No Action
													X			Option #1 Input	1 — Stop Maneuver/Inhibit 0 — No Action
												X				Clear Faults	1 — Clear Faults 0 — No Action
											X					Option #2 Input	1 — Perform Option 2 function 0 — No Action
—																—	Bits 5...10 — Not Used
				X												Aux Enable	1 — Use Aux 1...Aux 4 0 — Ignore Aux 1...Aux 4
			X													Aux 1	1 — Aux 1 Active 0 — Aux 1 Inactive
		X														Aux 2	1 — Aux 2 Active 0 — Aux 2 Inactive
	X															Aux 3	1 — Aux 3 Active 0 — Aux 3 Inactive
X																Aux 4	1 — Aux 4 Active 0 — Aux 4 Inactive

**Reference/Feedback**

The SMC-Flex does not offer the analog **Reference** feature. The analog **Feedback** feature is supported and will provide Parameter 1, Current in Phase A, automatically as the feedback word.

**Parameter Information**

A complete listing of the SMC-Flex parameters is located in Appendix B.

**Scale Factors for PLC Communication**

The parameter values stored and produced by the SMC-Flex through communication are unscaled numbers. When reading or writing values from a PLC image table, it is important to apply the proper scaling factor, which is based on the number of decimal places.

**Read Example**

**Parameter 11; Power Factor** — The stored value is 85. Since this value has two decimal places, the value should be divided by 100. The correctly read value is 0.85.

**Write Example**

**Parameter 46; Motor FLC** — The value which is to be written to the SMC is 75 A. Since this value has one decimal place, the value should be multiplied by 10. The correctly written value is 750.

## Display Text Unit Equivalents

Some parameters have text descriptions when viewed from a HIM or through a communication software program such as RSNetworkx™. When receiving or sending information from a PLC each text description has a numerical equivalent. Table 7.I has an example of Parameter 44, Overload Class, and the appropriate relationship between the text descriptor and the equivalent value. This relationship is identical for other similar parameters located in Appendix B.

**Table 7.I**

Text Descriptor	Numerical Equivalent
Disabled	0
Class 10	1
Class 15	2
Class 20	3
Class 30	4

## Configuring DataLinks

DataLinks are supported in the SMC-Flex. A DataLink is a mechanism used by most drives to transfer data to and from the controller without using an Explicit Message. The SMC-Flex supports 16-bit DataLinks, therefore the device can be configured to return up to four additional pieces of information without the need for an explicit message.

### Rules for Using DataLinks

- Each set of DataLink parameters in an SMC-Flex can be used by only one adapter. If more than one adapter is connected, multiple adapters must not try to use the same DataLink.
- Parameter settings in the SMC determine the data passed through the DataLink mechanism.
- When you use a DataLink to change a value, the value is not written to the Non-Volatile Storage (NVS). The value is stored in volatile memory and lost when the SMC-Flex loses power.

Parameters 88...103 are used to configure the DataLinks. For additional information regarding DataLinks, refer to the user manual for the communication interface being used.

**Note:** Node addressing of the DPI communication card can be programmed via software or a hand-held DPI HIM. The on-board HIM cannot be used to address the communication card.

## Updating Firmware

The latest version of firmware and instructions for the SMC-Flex can be obtained from [www.ab.com](http://www.ab.com).

## Diagnostics

### Overview

This chapter describes the fault diagnostics of the SMC-Flex controller. Further, this section describes the conditions that cause various faults to occur.

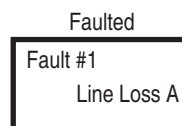
### Protection Programming

Many of the protective features available with the SMC-Flex controller can be enabled and adjusted through the programming parameters provided. For further details on programming, refer to the Motor Protection section in Chapter 4, *Programming*.

### Fault Display

The SMC-Flex controller comes equipped with a built-in three-line, 16-character LCD. The LCD displays the unit has faulted on the first line, the fault number on the second line, and the fault code on the third line.

**Figure 8.1** Fault Display



**Note:** The fault display will remain active as long as control power is applied. If control power is cycled, the fault will be cleared, the controller will re-initialize, and the display will show a status of “Stopped.”

**Note:** You can press Esc to get to another programming/diagnostic list, but the SMC-Flex will still be in a faulted state.

**Important:** Resetting a fault will not correct the cause of the fault condition. Corrective action must be taken before resetting the fault.

## Clear Fault

You can clear a fault using any of several methods:

- Program the SMC-Flex controller for a Clear Fault, which can be found in Main Menu/Diagnostics/Faults.
- If a human interface module is connected to the controller, press the Stop button.

**Note:** A stop signal from HIM will always stop the motor and clear the fault regardless of Logic Mask.

- If a RESET push button is present, the N.O. push button auxiliary contact can be connected to Option Input #2 (terminal 15). Option Input #2 must be programmed for Clear Fault.
- Cycle control power to the SMC-Flex controller.

**Important:** An overload fault cannot be reset until the Motor Thermal Usage, parameter 12, value is below 75%. See *Protection and Diagnostics* on page 1-11 for further details.

## Fault Buffer

The SMC-Flex controller stores in memory the five most recent faults. Display the fault buffer by selecting the View Faults Queue and scrolling through the fault buffer parameters. The information is stored as fault codes and fault descriptions. A fault code cross-reference is provided in Table 8.A.

## Fault Codes

Table 8.A provides a complete cross-reference of the available fault codes and corresponding fault descriptions.

**Table 8.A Fault Code Cross-reference**

Fault	Code	Fault	Code
Line Loss A	1	Stall	25
Line Loss B	2	Phase Reversal	26
Line Loss C	3	Coms Loss P2	27
Shorted SCR A	4	Coms Loss P3	28
Shorted SCR B	5	Coms Loss P5	29
Shorted SCR C	6	Network P2	30
Open Gate A	7	Network P3	31
Open Gate B	8	Network P5	32
Open Gate C	9	Ground Fault	33
PTC Pwr Pole	10	Excess Starts	34
SCR Overtemp	11	Power Loss A	35
Motor PTC	12	Power Loss B	36
Open Bypass A	13	Power Loss C	37
Open Bypass B	14	Hall ID	38
Open Bypass C	15	NVS Error	39
No Load A	16	No Load	40
No Load B	17	Line Loss A	41 ①
No Load C	18	Line Loss B	42 ①
Line Unbalance	19	Line Loss C	43 ①
Overvoltage	20	V24 Loss	45
Undervoltage	21	V Control Loss	46
Overload	22	Input 1	48
Underload	23	Input 2	49
Jam	24	System Faults	128...209

① See Table 8.B for definition.

## Fault and Alarm Auxiliary Indication for Fault or Alarm

Auxiliary contacts can be programmed for Fault or Alarm, N.O. or N.C. indication. Parameter setup can be found in the Parameter/Motor Protection group when modifying parameters in the Program Mode.

## Fault Definitions

Table 8.B shows the fault definitions for the SMC-Flex.

**Table 8.B** Fault Definitions

Fault	Description
Line Loss F1, F2, F3	The SMC-Flex can determine if a line connection has been lost, and will indicate this accordingly.
Shorted SCR	Shorted SCRs will be detected and starting will be prohibited by the SMC-Flex.
Open Gate	Open gate indicates that an abnormal condition that causes faulty firing (e.g., open SCR gate) has been sensed during the start sequence. The SMC-Flex controller will attempt to start the motor a total of three times before the controller shuts down.
Power Pole PTC and SCR Overtemperature	The power pole temperature in each phase is monitored. If the temperature rises above the predetermined level, the unit will fault to protect the power pole. A reset can be performed once the temperature falls below this level.
Motor PTC	A motor PTC can be connected to terminals 23 and 24. If the PTC parameter is enabled and the PTC trips, the SMC-Flex will trip and indicate a Motor PTC fault.
Open Bypass	Power pole bypass contacts are monitored for proper operation. In the event that a contact closure is not sensed, the SMC-Flex will indicate an Open Bypass fault.
No Load	The SMC-Flex can determine if a load connection has been lost, and No Load fault will be indicated.
Line Unbalance ①	Voltage unbalance is detected by monitoring the three phase supply voltages. The formula used to calculate the percentage voltage unbalance is as follows: $V_u = 100 (V_d / V_a)$ $V_u:$ Percent voltage unbalance $V_d:$ Maximum voltage deviation from the average voltage $V_a:$ Average voltage The controller will shut down when the calculated voltage unbalance reaches the user-programmed trip percentages.
Overvoltage and Undervoltage Protection ①	Overvoltage and undervoltage protection are user-defined as a percentage of the programmed line voltage. The SMC-Flex controller continuously monitors the three supply phases. The calculated average is then compared to the programmed trip level.
Underload ②	Underload protection is available for undercurrent monitoring. The controller will shut down when the motor current drops below the trip level. This trip level, a percentage of the motor's full load current rating, can be programmed.
Overload Protection	Overload protection is enabled in the Motor Protection group by programming the: <ul style="list-style-type: none"> <li>• Overload class</li> <li>• Overload reset</li> <li>• Motor FLC</li> <li>• Service factor</li> <li>• Refer to Chapter 5 for more information on Motor Protection.</li> </ul>
Phase Reversal	Phase reversal is indicated when the incoming power to the SMC-Flex controller is in any sequence other than ABC. This pre-start protective feature can be disabled.
Coms Loss	The SMC-Flex controller disables control through the DPI communication port as the factory default. To enable control, the Logic Mask found in the Communication programming group must be set to "4." If a Bulletin 20-HIM LCD Human interface module is disconnected from the SMC-Flex controller when control is enabled, a Comm Fault will occur. Other settings could also cause this fault, see Table 7.D.
Network	Network faults are faults generated on the network external to the SMC-Flex, and are annunciated on the LCD display.
Ground Fault	Ground faults are based on feedback from the user supplied 825 CT (5...480 A devices only) detecting ground fault currents. Ground fault parameters of level and time delay must be programmed for proper operation.
Excess Starts/Hour	Excess starts/hour is displayed when the number of starts in a one hour period exceeds the value programmed.
Power Loss	Power loss indicates that an input power phase is not present. The controller's LCD display will identify the missing phase. If all three phases are absent when a start command is issued, the LCD will display "Starting" without motor rotation.
Line Loss F41, F42, F43	During expected SCR gate periods, the power pole voltage and currents are monitored. If the SCR conduction is discontinuous, a fault is indicated.

① Phase loss, overvoltage, and undervoltage protection are disabled during braking operation.

② Jam detection and underload protection are disabled during slow speed and braking operation.

---

## Troubleshooting

### Introduction

For safety of maintenance personnel as well as others who might be exposed to electrical hazards associated with maintenance activities, follow the local safety related work practices (for example, the NFPA 70E, Part II in the United States). Maintenance personnel must be trained in the safety practices, procedures, and requirements that pertain to their respective job assignments.

---

**ATTENTION**

Hazardous voltage is present in the motor circuit even when the SMC-Flex controller is off. To avoid shock hazard, disconnect main power before working on the controller, motor, and control devices such as Start-Stop push buttons. Procedures that require parts of the equipment to be energized during troubleshooting, testing, etc., must be performed by properly qualified personnel, using appropriate local safety work practices and precautionary measures.

**ATTENTION**

Disconnect the controller from the motor before measuring insulation resistance (IR) of the motor windings. Voltages used for insulation resistance testing can cause SCR failure. Do not make any measurements on the controller with an IR tester (megger).

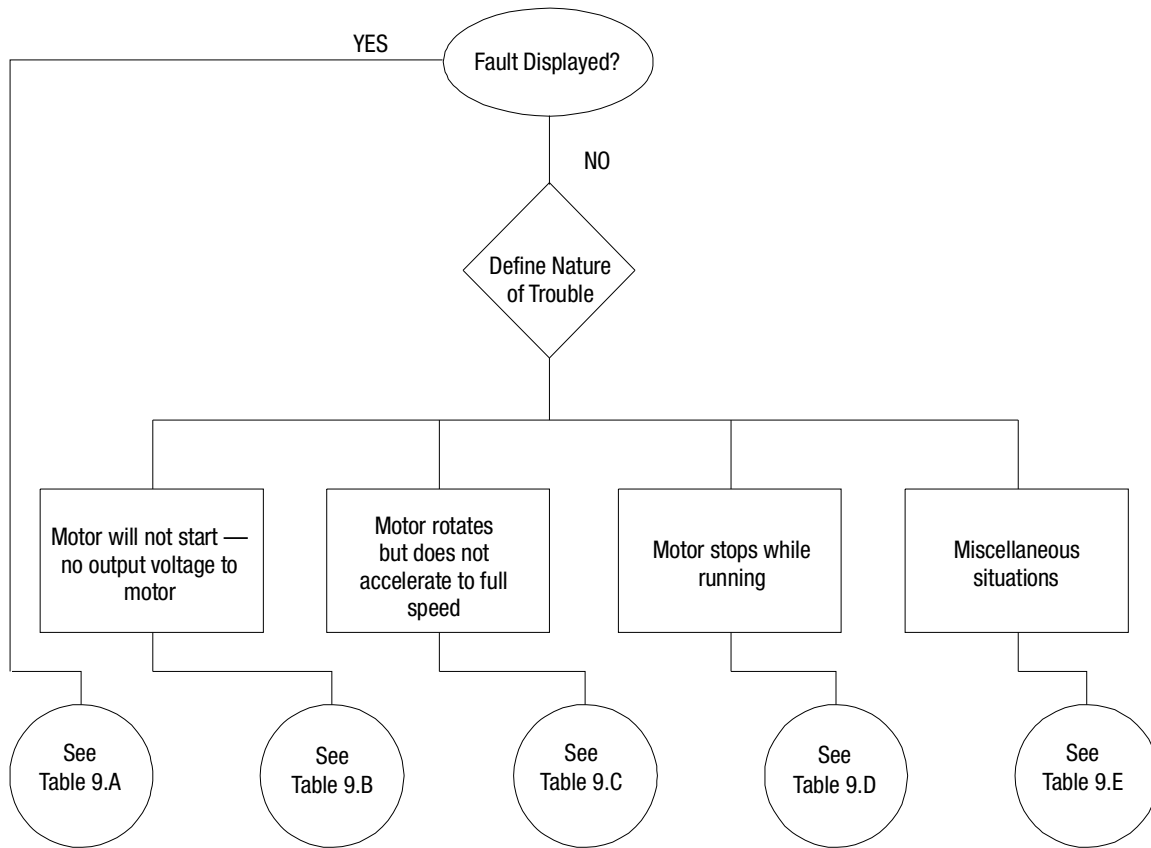
---

**Note:** The time it takes for the motor to come up to speed may be more or less than the time programmed, depending on the frictional and inertial characteristics of the connected load.

**Note:** Depending on the application, the Braking options (SMB Motor Braking, Accu-Stop, and Slow Speed) may cause some vibration or noise during the stopping cycle. This may be minimized by lowering the braking current adjustment. If this is a concern in your application, please consult the factory before implementing these options.

The following flowchart is provided to aid in quick troubleshooting.

**Figure 9.1 Troubleshooting Flowchart**



**Table 9.A SMC Fault Display Explanation**

Display	Fault Code	Possible Causes	Possible Solutions
Line Loss ① (with phase indication)	1, 2, 3	<ul style="list-style-type: none"> <li>Missing supply phase</li> <li>Motor not connected properly</li> </ul>	<ul style="list-style-type: none"> <li>Check for open line (i.e., blown fuse)</li> <li>Check for open load lead</li> <li>Consult the factory</li> </ul>
Shorted SCR	4, 5, & 6	<ul style="list-style-type: none"> <li>Shorted Power Module</li> </ul>	<ul style="list-style-type: none"> <li>Check for shorted SCR, replace power module if necessary</li> </ul>
Open Gate (with phase indication)	7, 8, & 9	<ul style="list-style-type: none"> <li>Open gate circuitry</li> <li>Loose gate lead</li> </ul>	<ul style="list-style-type: none"> <li>Perform resistance check; replace power module if necessary</li> <li>Check gate lead connections to the control module</li> </ul>
PTC Power Pole	10 & 11	<ul style="list-style-type: none"> <li>Controller ventilation blocked</li> <li>Controller duty cycle exceeded</li> <li>Fan failure</li> <li>Ambient temperature limit exceeded</li> <li>Failed thermistor</li> <li>Failed control module</li> </ul>	<ul style="list-style-type: none"> <li>Check for proper ventilation</li> <li>Check application duty cycle</li> <li>Replace fan</li> <li>Wait for controller to cool or provide external cooling</li> <li>Replace power module</li> <li>Replace control module</li> </ul>
SCR Overtemp			
Motor PTC	12	<ul style="list-style-type: none"> <li>Motor ventilation blocked</li> <li>Motor duty cycle exceeded</li> <li>PTC open or shorted</li> </ul>	<ul style="list-style-type: none"> <li>Check for proper ventilation</li> <li>Check application duty cycle</li> <li>Wait for motor to cool or provide external cooling</li> <li>Check resistance of PTC</li> </ul>



**Table 9.A SMC Fault Display Explanation (Continued)**

Display	Fault Code	Possible Causes	Possible Solutions
Open Bypass	13, 14, & 15	<ul style="list-style-type: none"> <li>Control voltage is low</li> <li>Inoperable power module bypass</li> </ul>	<ul style="list-style-type: none"> <li>Check control voltage power supply</li> <li>Replace power module</li> <li>Check control module TB2...TB4 and TB5...TB7 for secureness</li> <li>Check Aux 1, 2, 3, 4 configurations are not set to External Bypass</li> </ul>
No Load	16, 17, 18, & 40	<ul style="list-style-type: none"> <li>Loss of load side power wiring</li> </ul>	<ul style="list-style-type: none"> <li>Check all load side power connections and motor windings</li> </ul>
Line Unbalance	19	<ul style="list-style-type: none"> <li>Supply unbalance is greater than the user-programmed value</li> <li>The delay time is too short for the application</li> </ul>	<ul style="list-style-type: none"> <li>Check power system and correct if necessary</li> <li>Extend the delay time to match the application requirements</li> </ul>
Overvoltage	20	<ul style="list-style-type: none"> <li>Supply voltage is greater than user-programmed value</li> </ul>	<ul style="list-style-type: none"> <li>Check power system and correct if necessary</li> <li>Correct the user-programmed value</li> </ul>
Undervoltage	21	<ul style="list-style-type: none"> <li>Supply voltage is less than user-programmed value</li> <li>The delay time is too short for the application</li> </ul>	<ul style="list-style-type: none"> <li>Check power system and correct if necessary</li> <li>Correct the user-programmed value</li> <li>Extend the delay time to match the application requirements</li> </ul>
Overload	22	<ul style="list-style-type: none"> <li>Motor overloaded</li> <li>Overload parameters are not matched to the motor</li> </ul>	<ul style="list-style-type: none"> <li>Check motor overload condition</li> <li>Check programmed values for overload class and motor FLC</li> </ul>
Underload	23	<ul style="list-style-type: none"> <li>Broken motor shaft</li> <li>Broken belts, toolbits, etc.</li> <li>Pump cavitation</li> </ul>	<ul style="list-style-type: none"> <li>Repair or replace motor</li> <li>Check machine</li> <li>Check pump system</li> </ul>
Jam	24	<ul style="list-style-type: none"> <li>Motor current has exceeded the user programmed jam level.</li> </ul>	<ul style="list-style-type: none"> <li>Correct source of jam</li> <li>Check programmed time value</li> </ul>
Stall	25	<ul style="list-style-type: none"> <li>Motor has not reached full speed by the end of the programmed ramp time</li> </ul>	<ul style="list-style-type: none"> <li>Correct source of stall</li> </ul>
Phase Reversal	26	<ul style="list-style-type: none"> <li>Incoming supply voltage is not in the expected ABC sequence</li> </ul>	<ul style="list-style-type: none"> <li>Check power wiring</li> </ul>
Coms Loss	27, 28, & 29	<ul style="list-style-type: none"> <li>Communication disconnection at the serial port</li> </ul>	<ul style="list-style-type: none"> <li>Check for a communication cable disconnection to the SMC-Flex controller</li> </ul>
Network	30, 31, & 32	<ul style="list-style-type: none"> <li>DPI network loss</li> </ul>	<ul style="list-style-type: none"> <li>Reconnect for each DPI connected device</li> </ul>
Ground Fault	33	<ul style="list-style-type: none"> <li>Ground fault current level has exceeded programmed value</li> </ul>	<ul style="list-style-type: none"> <li>Check power system and motor; correct if necessary</li> <li>Check programmed ground fault levels to match application requirements</li> </ul>
Excess Starts/Hr.	34	<ul style="list-style-type: none"> <li>Number of starts in a one hour period has exceeded the value programmed</li> </ul>	<ul style="list-style-type: none"> <li>Wait an appropriate amount of time to restart</li> <li>Turn off the Starts/Hr. feature</li> </ul>
Power Loss ① (with phase indication)	35, 36, & 37	<ul style="list-style-type: none"> <li>Missing supply phase (as indicated)</li> </ul>	<ul style="list-style-type: none"> <li>Check for open line (i.e., blown line fuse)</li> </ul>
Hall ID	38	<ul style="list-style-type: none"> <li>Incorrect power module has been installed</li> </ul>	<ul style="list-style-type: none"> <li>Check power module and replace</li> </ul>
NVS Error	39	<ul style="list-style-type: none"> <li>Data entry error</li> </ul>	<ul style="list-style-type: none"> <li>Check user data</li> <li>Replace control module</li> <li>Reset default values</li> </ul>
Line Loss	41, 42, 43	<ul style="list-style-type: none"> <li>Line distortion</li> <li>High impedance connection</li> </ul>	<ul style="list-style-type: none"> <li>Check supply voltage for capability to start/stop motor</li> <li>Check for loose connections on line side or motor side of power wires</li> </ul>

**Table 9.A SMC Fault Display Explanation (Continued)**

Display	Fault Code	Possible Causes	Possible Solutions
V24 Recovery	F44	<ul style="list-style-type: none"> <li>Control module internal 24V control power stays low after closing bypass contactor</li> </ul>	<ul style="list-style-type: none"> <li>Check control power. Make sure it is within the operating parameters of the SMC</li> <li>Check control power connections, including ground, to the control module</li> <li>Replace control module</li> </ul>
V24 Loss	F45	<ul style="list-style-type: none"> <li>Control module internal 24V supply out of normal range</li> </ul>	<ul style="list-style-type: none"> <li>Same as F44</li> </ul>
V Control	F46	<ul style="list-style-type: none"> <li>Sense of control voltage in error</li> </ul>	<ul style="list-style-type: none"> <li>Same as F44</li> </ul>
Option Input 1, 2	F48, F49	<ul style="list-style-type: none"> <li>Fault occurs based on the user configuration of the option input</li> </ul>	<ul style="list-style-type: none"> <li>Review the option input fault configuration and clear the fault condition</li> </ul>
Varies (control module system faults)	F128-F209	<ul style="list-style-type: none"> <li>Control module wiring</li> <li>Control module defective</li> </ul>	<ul style="list-style-type: none"> <li>Review the control module wiring. Ensure ground terminal is secure connected to system earth ground. Ensure an RC snubber is connected to all inductive loads in the control circuit (refer to input wiring)</li> <li>Replace the control module</li> </ul>

① Prestart fault indication.

**Table 9.B Motor Will Not Start — No Output Voltage to the Motor**

Display	Possible Cause	Possible Solutions
Fault displayed	<ul style="list-style-type: none"> <li>See fault description</li> </ul>	<ul style="list-style-type: none"> <li>See Table 9.A addressing fault conditions</li> </ul>
Display is blank	<ul style="list-style-type: none"> <li>Control voltage is absent</li> <li>Failed control module</li> </ul>	<ul style="list-style-type: none"> <li>Check control wiring and correct if necessary</li> <li>Replace control module</li> <li>Cycle control power</li> </ul>
Stopped 0.0 Amps	<ul style="list-style-type: none"> <li>Pilot devices</li> <li>SMC Enable input is open at terminal 13</li> <li>Input terminals are not wired correctly</li> <li>Start-Stop control has not been enabled for the human interface module</li> <li>Control voltage</li> <li>Failed control module</li> </ul>	<ul style="list-style-type: none"> <li>Check wiring</li> <li>Check wiring</li> <li>Check wiring</li> <li>Follow the instructions on page 7-4...7-6 to enable control capability</li> <li>Check control voltage</li> <li>Replace control module</li> </ul>
Starting	<ul style="list-style-type: none"> <li>Two or three power phases are missing</li> </ul>	<ul style="list-style-type: none"> <li>Check power system</li> </ul>

**Table 9.C Motor Rotates (but does not accelerate to full speed)**

Display	Possible Cause	Possible Solutions
Fault displayed	<ul style="list-style-type: none"> <li>See fault description</li> </ul>	<ul style="list-style-type: none"> <li>See Table 9.A addressing fault conditions</li> </ul>

Starting	<ul style="list-style-type: none"> <li>• Mechanical problems</li> <li>• Inadequate Current Limit setting</li> <li>• Failed control module</li> </ul>	<ul style="list-style-type: none"> <li>• Check for binding or external loading and correct</li> <li>• Check motor</li> <li>• Adjust the Current Limit Level to a higher setting</li> <li>• Replace control module</li> </ul>
----------	--	--

**Table 9.D Motor Stops While Running**

Display	Possible Cause	Possible Solutions
Fault displayed	<ul style="list-style-type: none"> <li>• See fault description</li> </ul>	<ul style="list-style-type: none"> <li>• See Table 10.A addressing fault conditions</li> </ul>
Display is blank	<ul style="list-style-type: none"> <li>• Control voltage is absent</li> <li>• Failed control module</li> </ul>	<ul style="list-style-type: none"> <li>• Check control wiring and correct if necessary</li> <li>• Replace control module</li> </ul>
Stopped 0.0 Amps	<ul style="list-style-type: none"> <li>• Pilot devices</li> <li>• Failed control module</li> </ul>	<ul style="list-style-type: none"> <li>• Check control wiring and correct if necessary</li> <li>• Replace control module</li> </ul>
Starting	<ul style="list-style-type: none"> <li>• Two or three power phases are missing</li> <li>• Failed control module</li> </ul>	<ul style="list-style-type: none"> <li>• Check power system</li> <li>• Replace control module</li> </ul>

**Table 9.E Miscellaneous Situations**

Situation	Possible Cause	Possible Solutions
Motor current and voltage fluctuates with steady load	<ul style="list-style-type: none"> <li>• Motor</li> <li>• Erratic Load</li> </ul>	<ul style="list-style-type: none"> <li>• Verify type of motor as a standard squirrel cage induction motor</li> <li>• Check load conditions</li> </ul>
Erratic operation	<ul style="list-style-type: none"> <li>• Loose connections</li> </ul>	<ul style="list-style-type: none"> <li>• Shut off <b>all</b> power to controller and check for loose connections</li> </ul>
Accelerates too fast	<ul style="list-style-type: none"> <li>• Starting time</li> <li>• Initial torque</li> <li>• Current limit setting</li> <li>• Kickstart</li> </ul>	<ul style="list-style-type: none"> <li>• Increase starting time</li> <li>• Lower initial torque setting</li> <li>• Decrease current limit setting</li> <li>• Lower kickstart time or turn off</li> </ul>
Accelerates too slow	<ul style="list-style-type: none"> <li>• Starting time</li> <li>• Initial torque</li> <li>• Current limit setting</li> <li>• Kickstart</li> </ul>	<ul style="list-style-type: none"> <li>• Decrease starting time</li> <li>• Increase initial torque setting</li> <li>• Increase current limit setting</li> <li>• Increase kickstart time or turn off</li> </ul>
Fan does not operate	<ul style="list-style-type: none"> <li>• Wiring</li> <li>• Failed fan(s)</li> </ul>	<ul style="list-style-type: none"> <li>• Check wiring and correct if necessary</li> <li>• Replace fan module</li> </ul>
Motor stops too quickly with Soft Stop option	<ul style="list-style-type: none"> <li>• Time setting</li> </ul>	<ul style="list-style-type: none"> <li>• Verify the programmed stopping time and correct if necessary</li> </ul>

<p>Motor stops too slowly with Soft Stop option</p>	<ul style="list-style-type: none"> <li>• Stopping time setting</li> <li>• Misapplication</li> </ul>	<ul style="list-style-type: none"> <li>• Verify the programmed stopping time and correct if necessary</li> <li>• The Soft Stop option is intended to <b>extend</b> the stopping time for loads that stop suddenly when power is removed from the motor.</li> </ul>
<p>Fluid surges with pumps still occur with the Soft Stop option</p>	<ul style="list-style-type: none"> <li>• Misapplication</li> </ul>	<ul style="list-style-type: none"> <li>• Soft Stop ramps voltage down over a set period of time. In the case of pumps, the voltage may drop too rapidly to prevent surges. A closed loop system such as Pump Control would be more appropriately suited.</li> <li>• Refer to Publication 150-911</li> </ul>
<p>Motor overheats</p>	<ul style="list-style-type: none"> <li>• Duty cycle</li> </ul>	<ul style="list-style-type: none"> <li>• Preset Slow Speed and Accu-Stop options: Extended operation at slow speeds reduces motor cooling efficiency. Consult motor manufacturer for motor limitations.</li> <li>• Smart Motor Braking option: Check duty cycle. Consult motor manufacturer for motor limitations.</li> </ul>
<p>Motor short circuit</p>	<ul style="list-style-type: none"> <li>• Winding fault</li> </ul>	<ul style="list-style-type: none"> <li>• Identify fault and correct.</li> <li>• Check for shorted SCR; replace if necessary.</li> <li>• Ensure power terminals are secure.</li> </ul>

---

## Power Module Check

If a power module needs to be checked, use the applicable procedure that follows.

---

**ATTENTION**

To avoid shock hazard, disconnect main power before working on the controller, motor, or control devices such as Start/Stop push buttons.

**ATTENTION**

Make sure that wires are properly marked and programmed parameter values are recorded.

---

### Shorted SCR Test

1. Using an ohmmeter, measure the resistance between the line and load terminals of each phase on the controller. (L1-T1, L2-T2, & L3-T3)

The resistance should be greater than 10,000 ohms.



## Specifications

### Functional Design

Standard Features		
Installation	Power Wiring	Standard squirrel-cage induction motor or a Wye-Delta, six-lead motor.
	Control Wiring	2- and 3-wire control for a wide variety of applications.
Setup	Keypad	Front keypad and backlit LCD display.
	Software	Parameter values can be downloaded to the SMC-Flex Controller with DriveTools programming software and the Cat. No. 20-COMM... DPI communication module.
Communications		One DPI provided for connection to optional human interface and communication modules.
Starting and Stopping Modes		<ul style="list-style-type: none"> <li>• Soft Start</li> <li>• Current Limit Start</li> <li>• Dual Ramp</li> <li>• Full Voltage</li> <li>• Linear Speed Acceleration</li> <li>• Preset Slow Speed</li> <li>• Soft Stop</li> </ul>
Protection and Diagnostics		Power loss, line fault, voltage unbalance, excessive starts/hour, phase reversal, undervoltage, overvoltage, controller temp, stall, jam, open gate, overload, underload, communication fault.
Metering		A, V, kW, kWh, MW, MWh elapsed time, power factor, motor thermal capacity usage.
Alarm Contact		Overload, underload, undervoltage, overvoltage, unbalance, jam, stall, and ground fault
Status Indication		Stopped, starting, stopping, at speed, alarm, and fault.
Auxiliary Contacts		Four fully programmable contacts as normal/up-to-speed network (N.O./N.C.) or external bypass (N.O. only).
Optional Features		
Pump Control		Helps reduce fluid surges in centrifugal pumping systems during starting and stopping period. Starting time is adjustable from 0...30 seconds. Stopping time is adjustable from 0...120 seconds.
Braking Control	SMB Smart Motor Braking	Provides motor braking without additional equipment for applications that require the motor to stop quickly. Braking current is adjustable from 0...400% of the motor's full-load current rating.
	Accu-Stop	Provides controlled position stopping. During stopping, braking torque is applied to the motor until it reaches preset slow speed (7% or 15% of rated speed) and holds the motor at this speed until a stop command is given. Braking torque is then applied until the motor reaches zero speed. Braking current is programmable from 0...450% of full-load current.
	Slow Speed with Braking	Used on applications that require slow speed (in the forward direction) for positioning or alignment and also require braking control to stop.

## Electrical Ratings

	Device Rating	UL/CSA/NEMA	IEC
<b>Power Circuit</b>			
Rated Operation Voltage	480V	200...480V AC (-15%, +10%)	200...415V
	600V	200...600V AC (-15%, +10%)	200...500V
	690V	230...600V AC (-15%, +10%)	230...690V/Y (-15%, +10%)
Rated Insulation Voltage	480V	N/A	500V
	600V		500V
	690V		690V
Rated Impulse Voltage	480V	N/A	6000V
	600V		
	690V		
Dielectric Withstand	480V	2200V AC	2500V
	600V		
	690V		
Repetitive Peak Inverse Voltage Rating	480V	1400V	
	600V	1600V	
	690V	1800V	
Operating Frequency	All	47...63 Hz	
Utilization Category	5...480 A	MG 1	AC-53B: 3.0-50:1750
	625...1250 A	MG 1	AC-53B: 3.0-50:3550
Protection Against Electrical Shock	5...85 A	N/A	IP20
	108...480 A		IP2X (with terminal covers)
	625...1250 A		IP00 (open Device)
DV/DT Protection	480V & 600V	RC Snubber Network	
	690V	None	
Transient Protection	480V & 600V	Metal Oxide Varistors: 220 Joules	
	690V	None	
<b>Control Circuit</b>			
Rated Operation Voltage ①	5...480 A	100...240V AC or 24V AC/DC	
	625...1250 A	110/120V AC and 230/240V AC	
Rated Insulation Voltage	All	N/A	240V
Rated Impulse Voltage	All	N/A	3000V
Dielectric Withstand	All	1600V AC	2000V
Operating Frequency	All	47...63 Hz	
Input on-state voltage minimum		85V AC, 19.2V DC / 20.4V AC	
Input on-state current		20 mA @120V AC/ 40 mA @ 240V AC, 7.6 mA @ 24V AC/DC	
Input off-state voltage maximum		50V AC, 10V DC / 12V AC	
Input off-state current @ input off-state voltage		<10 mA AC, <3 mA DC	

① 690V power is only available with 100...240V control.



### Short Circuit Protection

SCPD Performance 200...600V		Type 1					
Protection Type		Non Time-Delay Fuse		Circuit Breaker		Time-Delay Fuse	
SCCR List ①		Max. Std. Available Fault	Max. Std. Fuse (A) ②	Max. Std. Available Fault	Max. Circuit Breaker (A)	Max. High Fault	Max. Fuse (A) ③
Line Device Operational Current Rating (A)	5	5 kA	20	5 kA	20	70 kA	10
	25	5 kA	100	5 kA	100	70 kA	50
	43	10 kA	150	10 kA	150	70 kA	90
	60	10 kA	225	10 kA	225	70 kA	125
	85	10 kA	300	10 kA	300	70 kA	175
	108	10 kA	400	10 kA	300	70 kA	200
	135	10 kA	500	10 kA	400	70 kA	225
	201	18 kA	600	18 kA	600	70 kA	350
	251	18 kA	700	18 kA	700	70 kA	400
	317	30 kA	800	30 kA	800	69 kA	500
	361	30 kA	1000	30 kA	1000	69 kA	600
	480	42 kA	1200	42 kA	1200	69 kA	800
	625	42 kA	1600	42 kA	1600	74 kA	1600
	780	42 kA	1600	42 kA	2000	74 kA	1600
	970	85 kA	2500	85 kA	2500	85 kA	2500
1250	85 kA	3000	85 kA	3200	85 kA	3000	
Delta Device Operational Current Rating (A)	8.7	5 kA	35	5 kA	35	70 kA	17.5
	43	5 kA	150	5 kA	150	70 kA	90
	74	10 kA	300	10 kA	300	70 kA	150
	104	10 kA	400	10 kA	400	70 kA	200
	147	10 kA	400	10 kA	400	70 kA	200
	187	10 kA	600	10 kA	500	70 kA	300
	234	10 kA	700	10 kA	700	70 kA	400
	348	18 kA	1000	18 kA	1000	70 kA	600
	435	18 kA	1200	18 kA	1200	70 kA	800
	549	30 kA	1600	30 kA	1600	69 kA	1000
	625	30 kA	1600	30 kA	1600	69 kA	1200
	831	42 kA	1600	30 kA	1600	69 kA	1600
	850	42 kA	1600	42 kA	2000	74 kA	1600
	900	42kA	1600	42 kA	2000	74 kA	1600
	1200	85 kA	3000	85 kA	3200	85 kA	3000
1600	85 kA	3000	85 kA	3200	85 kA	3000	

SCCR Performance 690V		Type 1		
SCCR List ①		Max. Std. Available Fault	Max. Ampere Tested — North American Style	Max. Ampere Tested — European Style
Maximum FLC Device Rating (A)	108	70 kA	A070URD33xxx500	6,9 gRB 73xxx400 6,6URD33xxx500
	135	70 kA	A070URD33xxx500	6,9 gRB 73xxx400 6,6URD33xxx500
	201	70 kA	A070URD33xxx700	6,9 gRB 73xxx630 6,6URD33xxx700
	251	70 kA	A070URD33xxx700	6,9 gRB 73xxx630 6,6URD33xxx700
	317	70 kA	A070URD33xxx900	6,9 gRB 73xxx800 6,6URD33xxx900
	361	70 kA	A070URD33xxx900	6,9 gRB 73xxx800 6,6URD33xxx900
	480	70 kA	A070D33xxx1250 A100URD73xxx1250	9 URD 73xxx1250 6,6URD33xxx1250
	625	70 kA	A070URD33xxx1400	6,6URD33xxx1400
	780	70 kA	A070URD33xxx1400	6,6URD33xxx1400
	970	85 kA	2 fuses in parallel A070URD33xxx1250	2 fuses in parallel 6,6URD33xxx1250
	1250	85 kA	2 fuses in parallel A070URD33xxx1250	2 fuses in parallel 6,6URD33xxx1250

- ① Consult local codes for proper sizing of short circuit protection.
- ② Non-time delay fuses: Class K5 - 5...480 (8.7...831 A) devices, Class L - 625...1250 (850...1600 A) devices.
- ③ High capacity fault rating when used with time delay class CC, J, or L fuses.

Power Requirements			
Control Module, 1...480 A	120... 240V AC	Transformer	75 VA
	24V AC	Transformer	130 VA
	24V DC	Inrush Current	5 A
		Inrush Time	250 ms
		Transient Watts	60 W
		Transient Time	500 ms
		Steady State Watts	24 W
Minimum Allen-Bradley Power Supply		1606-XLP50E	
Control Module, 625...1250 A		751 VA (recommended 800 VA)	
Heatsink Fan(s) (A) ①		5...135 A, 20 VA 201...251 A, 40 VA 317...480 A, 60 VA 625...1250 A, 150 VA	
Steady State Heat Dissipation with Control and Fan Power (W)			
Controller Rating (A)	5	70	
	25	70	
	43	81	
	60	97	
	85	129	
	108	91	
	135	104	
	201	180	
	251	198	
	317	225	
	361	245	
	480	290	
	625	446	
	780	590	
970	812		
1250	1222		
Auxiliary Contacts			
<ul style="list-style-type: none"> <li>19/20 Aux #1</li> <li>29/30 Aux #2</li> </ul>		<ul style="list-style-type: none"> <li>31/32 Aux #3</li> <li>33/34 Aux #4</li> </ul>	
Type of Control Circuit	Electromagnetic relay		
Number of Contacts	1		
Type of Contacts	programmable N.O./N.C.		
Type of Current	AC		
Rated Operational Current	3 A @ 120V AC, 1.5 A @ 240V AC		
Conventional Thermal Current $I_{th}$ AC/DC	5 A		
Make/Break VA	3600/360		
Utilization Category	AC-15/DC		
PTC Input Ratings			
Response Resistance	3400 $\Omega$ $\pm$ 150 $\Omega$		
Reset Resistance	1600 $\Omega$ $\pm$ 100 $\Omega$		
Short-Circuit Trip Resistance	25 $\Omega$ $\pm$ 10 $\Omega$		
Max. Voltage at PTC Terminals ( $R_{PTC} = 4$ k $\Omega$ )	< 7.5V		
Max. Voltage at PTC Terminals ( $R_{PTC} =$ open)	30V		
Max. No. of Sensors	6		
Max. Cold Resistance of PTC Sensor Chain	1500 $\Omega$		
Response Time	800 ms		
Tach Input	0...5V DC. 4.5V DC = 100% Speed		

① Heatsink fans can be powered by either 110/120V AC or 220/240V AC.

## Environmental

Operating Temperature Range	-5...+50°C (+23...+122°F) (open) -5...+40°C (+23...+104°F) (enclosed)
Storage and Transportation Temperature Range	-20...+75°C
Altitude	2000 m (6560 ft) ①
Humidity	5...95% (non-condensing)
Pollution Degree	2

① The product's allowable operational ambient temperature must be derated by -3 °C (-27°F) per 1000 m (3280 ft.). Maximum operating altitude is 7000 m (23,000 ft.). Current rating of the SMC-Flex does not change for altitudes that require a lower maximum ambient temperature.

## Mechanical

Resistance to Vibration	Operational	All	1.0 G Peak, 0.15 mm (0.006 in.) displacement
	Non-Operational	5...480 A 625...1250 A	2.5 G, 0.38 mm (0.015 in.) displacement 1.0 G Peak, 0.15 mm (0.006 in.) displacement
Resistance to Shock	Operational	5...85 A	15 G
		108...480 A 625...1250 A	5.5 G 4 G
	Non-Operational	5...85 A	30 G
		108...480 A 625...1250 A	25 G 12 G
Construction	Power Poles	5...85 A 108...1250 A	Heatsink thyristor modular design Heatsink hockey puck thyristor modular design
	Control Modules		Thermoset and Thermoplastic Moldings
	Metal Parts		Plated Brass, Copper, or Painted Steel
	Terminals	Power Terminals	5...85 A 108...135 A 201...251 A 317...480 A 625...1250 A
	Power Terminal Markings		NEMA, CENELEC EN50 012
	Control Terminals		M 3 screw clamp: clamping yoke connection

**Other**

EMC Emission Levels	Conducted Radio Frequency Emissions	Class A		
	Radiated Emissions	Class A		
EMC Immunity Levels	Electrostatic Discharge	8 kV Air Discharge		
	Radio Frequency Electromagnetic Field	Per EN/IEC 60947-4-2		
	Fast Transient	Per EN/IEC 60947-4-2		
	Surge Transient	Per EN/IEC 60947-4-2		
Overload Characteristics	Current Range	Line	Delta	
		5	1...5	1.7...9
		25	5...25	8.6...43
		43	8.6...43	14.8...75
		60	12...60	20.8...104
		85	17...85	29.4...147
		108	27...108	47...187
		135	34...135	59...234
		201	67...201	116...348
		251	84...251	145...435
		317	106...317	183...549
		361	120...361	208...625
		480	160...480	277...831
		625	208...625	283...850
		780	260...780	300...900
		970	323...970	400...1200
1250	416...1250	533...1600		
Certifications	Trip Classes	10, 15, 20, and 30		
	Trip Current Rating	117% of Motor FLC		
	Number of Poles	3		
Certifications	Open Type Controllers	CE Marked Per Low Voltage Directive 73/23/EEC, 93/68/EEC		
		UL Listed (File No. E96956)		

**Approximate Dimensions and Shipping Weights****Open Type Controllers**

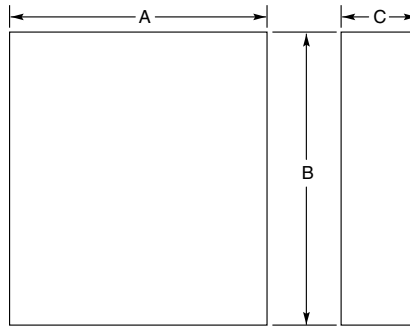
Dimensions are in millimeters (inches). Dimensions are not intended for manufacturing purposes.

Controller Rating (A)	Height	Width	Depth	Approximate Shipping Weight
5...85	321 (12.6)	150 (5.9)	203 (8.0)	5.7 kg (12.6 lb.)
108...135	443.7 (17.47)	196.4 (7.74)	205.2 (8.08)	15.0 kg (33 lb.)
201...251	560 (22.05)	225 (8.86)	253.8 (9.99)	30.4 kg (67 lb.)
317...480	600 (23.62)	290 (11.42)	276.5 (10.89)	45.8 kg (101 lb.)
625...780	1041.1 (41.0)	596.9 (23.5)	346.2 (13.63)	179 kg (395 lb.)
970...1250	1041.1 (41.0)	596.9 (23.5)	346.2 (13.63)	224 kg (495 lb.)

## Enclosed Type Line-Connected Controllers

Factory-installed options may affect enclosure size requirements.

Exact dimensions can be obtained after order entry. Consult your local Rockwell Automation sales office or Allen-Bradley distributor.



Controller Rating (A)	IP65 (Type 4/12)			
	Disconnect Rating (A)	B Height	A Width	C Depth
<b>Non-Combination Controller</b>				
5	—	610 (24)	406 (16)	254 (10)
25	—	610 (24)	406 (16)	254 (10)
43	—	610 (24)	406 (16)	254 (10)
60	—	610 (24)	406 (16)	254 (10)
85	—	610 (24)	406 (16)	254 (10)
108	—	762 (30)	610 (24)	305 (12)
135	—	762 (30)	610 (24)	305 (12)
201	—	965 (38)	762 (30)	356 (14)
251	—	965 (38)	762 (30)	356 (14)
317	—	1295 (51)	914 (36)	356 (14)
361	—	1295 (51)	914 (36)	356 (14)
480	—	1295 (51)	914 (36)	356 (14)
625	—	2286 (90)	762 (30)	508 (20)
780	—	2286 (90)	762 (30)	508 (20)
970 ①②	—	2286 (90)	762 (30)	508 (20)
1250 ①②	—	2286 (90)	762 (30)	508 (20)

① 970...1250 rated devices are only available as Type 1 and require a door-mounted fan, capable of delivering 240 cfm.

② Enclosed 970...1250 rated devices are only available through the modified standards program. Consult your local Rockwell Automation sales office or Allen-Bradley distributor.

## Enclosed Type Line-Connected Controllers, Continued

Controller Rating (A)	IP65 (Type 4/12)			
	Disconnect Rating (A)	B Height	A Width	C Depth
<b>Combination Controllers with Fusible Disconnect</b>				
5	30 A/J	610 (24)	406 (16)	254 (10)
25	30 A/J	610 (24)	406 (16)	254 (10)
43	60 A/J	610 (24)	406 (16)	254 (10)
60	100 A/J	610 (24)	406 (16)	254 (10)
85	100 A/J	610 (24)	406 (16)	254 (10)
108	200 A/J	965 (38)	762 (30)	356 (14)
135	200 A/J	965 (38)	762 (30)	356 (14)
201	400 A/J	965 (38)	762 (30)	356 (14)
251	400 A/J	965 (38)	762 (30)	356 (14)
317	600 A/J	1524 (60)	965 (38)	356 (14)
361	600 A/J	1524 (60)	965 (38)	356 (14)
480 ①	600 A/J	1524 (60)	965 (38)	356 (14)
480 ②	800 A/J	2286 (90)	508 (20)	508 (20)
625	—	2286 (90)	1387 (55)	508 (20)
780	—	2286 (90)	1387 (55)	508 (20)
970 ③④	—	2286 (90)	1651 (65)	508 (20)
1250 ③④	—	2286 (90)	1651 (65)	508 (20)
<b>Combination Controllers with Circuit Breaker</b>				
5	15 A	610 (24)	406 (16)	254 (10)
25	30 A	610 (24)	406 (16)	254 (10)
43	80 A	610 (24)	406 (16)	254 (10)
60	100 A	610 (24)	406 (16)	254 (10)
85	125 A	610 (24)	406 (16)	254 (10)
108	175 A/175 A Plug	965 (38)	762 (30)	356 (14)
135	225 A/225 A Plug	965 (38)	762 (30)	356 (14)
201	300 A/300 A Plug	965 (38)	762 (30)	356 (14)
251	400 A/400 A Plug	965 (38)	762 (30)	356 (14)
317	600 A/600 A Plug	1295 (51)	914 (36)	356 (14)
361	600 A/600 A Plug	1295 (51)	914 (36)	356 (14)
480	800 A/800 A Plug	1295 (51)	914 (36)	356 (14)
625	—	2286 (90)	1397 (55)	508 (20)
780	—	2286 (90)	1397 (55)	508 (20)
970 ③④	—	2286 (90)	1651 (65)	508 (20)
1250 ③④	—	2286 (90)	1651 (65)	508 (20)

① Use this row for 460V -58 and 575V -59.

② Use this row for 460V -59 and 575V -60 and -61.

③ 970...1250 rated devices are only available as Type 1 and require a door-mounted fan, capable of delivering 240 cfm.

④ Enclosed 970...1250 rated devices are only available through the modified standards program. Consult your local Rockwell Automation sales office or Allen-Bradley distributor.

## Parameter Information

**Table B.1 Parameter List**

Group	Parameter Name	Parameter Number	Units	Min./Max.	Default Settings	Parameter Description	User Settings
Metering	Volts Phase A-B	1	Volt			Provides the three phase-to-phase supply voltage measurements at all times, including bypass operation.	
Metering	Volts Phase B-C	2	Volt			Provides the three phase-to-phase supply voltage measurements at all times, including bypass operation.	
Metering	Volts Phase C-A	3	Volt			Provides the three phase-to-phase supply voltage measurements at all times, including bypass operation.	
Metering	Current Phase A	4	Amps			Provides the three phase motor current measurement. This measurement is always line current regardless of the motor connection (Wye or Delta).	
Metering	Current Phase B	5	Amps			Provides the three phase motor current measurement. This measurement is always line current regardless of the motor connection (Wye or Delta).	
Metering	Current Phase C	6	Amps			Provides the three phase motor current measurement. This measurement is always line current regardless of the motor connection (Wye or Delta).	
Metering	Watt Meter	7	KW/MW			Provides the power usage of the connected motor. This value is calculated from the voltage, current and power factor measurements.	
Metering	Kilowatt Hours	8	KWH/MWH			Provides the power usage over time of the connected motor.	
Metering	Elapsed Time	9	Hours			Indicates the total time of motor operation in hours. The accumulated time is updated continuously during run time.	
Metering	Meter Reset	10		NO ETM Reset KWH Reset	NO	Provides the user the capability to reset the value stored in the elapsed time (9) and kilowatt hours (8) meters to zero.	
Metering	Power Factor	11		0.00...0.99		Provides the operational displacement power factor measurement of the connected motor.	
Metering	Mtr Therm Usage	12	%MTU	0...100		Provides the theoretical model of motor heating as a percentage value. At 100% MTU, the controller will fault on overload. This model is based on the motor thermal overload calculation.	
Metering	Motor Speed	13	%	0...100		Indicates the operating percentage of motor base speed when linear ramp is selected and an external tachometer is used.	

**Table B.1 Parameter List (Continued)**

Group	Parameter Name	Parameter Number	Units	Min./Max.	Default Settings	Parameter Description	User Settings
Basic Set Up	SMC Option	14		Standard Brake Pump Control		This a "read-only" parameter that identifies to the user the type of control module installed.	
Basic Set Up	Motor Connection	15		Line/Delta	Line	This parameter allows the user the ability to select the power wiring configuration of the attached motor (WYE or DELTA). A fault controlled means of disconnecting the line should always be use in the DELTA mode.	
Basic Set Up	Line Voltage	16	Volt	0...10000	480	This parameter sets the base voltage for the under / over voltage protective features. For medium voltage applications the controller has internal capabilities set of multipliers that correspond to the line voltage dividers.	
Basic Set Up	Starting Mode	17		Full Voltage Current Limit Soft Start Linear Speed Pump Start	Soft Start	Allows the user to select the type of start provided with controller configuration.	
Basic Set Up	Ramp Time	18	Secs	0...30	10	Allows the user to program the time (0...30 s) that the controller performs the starting maneuver. The starting maneuver will automatically transition to bypass and full voltage if the controller senses that the motor has reached full speed prior to the ramp time completion. Also refer to Parameter 129.	
Basic Set Up	Initial Torque	19	%LRT	0...90	70	When using the soft start mode, this parameter allows the user to adjust the initial torque level applied to the motor at the beginning of the start maneuver.	
Basic Set Up	Cur Limit Start Level	20	%FLC	50...600	350	When using the current limit starting mode, this parameter allows the user to adjust the current level applied to the motor during the start maneuver.	
Basic Set Up	Reserved	21				Reserved	
Basic Set Up	Kickstart Time	22	Secs	0.0...2.0	0.0	When programmed with a non-zero value, this parameter provides a torque pulse for the programmed time period at the beginning of the starting maneuver (0.0...2.0 s).	
Basic Set Up	Kickstart Level	23	%LRT	0...90	0	When the Kickstart Time is programmed, this parameter provides the user with the ability to set the level of the torque pulse applied to the motor (approx. 0...90%).	
Basic Set Up	Option Input 2	24		Disable Preset Slow Speed Dual Ramp Fault Fault NC Network Clear Fault	Disable	Provides the user with the ability to define the function of option Input #2 (disable, coast, stop option, fault, fault N.C., network).	

① Devices rated 625...1250 Amps, are only programmable to the whole digit ampere. There are no decimal points for any current based parameters.



**Table B.1 Parameter List (Continued)**

Group	Parameter Name	Parameter Number	Units	Min./Max.	Default Settings	Parameter Description	User Settings
Dual Ramp	Starting Mode 2	25		Full Voltage Current Limit Soft Start Linear Speed Pump Start	Soft Start	When the dual ramp mode is selected, this parameter allows the user to select the type of ramp mode used for the second ramp profile.	
Dual Ramp	Ramp Time 2	26	Secs	0...30	10	When the dual ramp mode is selected, this parameter allows the user to program the time (0...30 s) that the controller performs the starting maneuver for profile #2. Also refer to Parameter 130.	
Dual Ramp	Initial Torque 2	27	%LRT	0...90	70	When using the soft start mode for profile #2, this parameter allows the user to adjust the initial torque level applied to the motor at the beginning of the start maneuver.	
Dual Ramp	Cur Limit Level 2	28	%FLC	50...600	350	When using the current limit starting mode for profile #2, this parameter allows the user to adjust the current level applied to the motor during the start maneuver.	
Dual Ramp	Reserved	29				Reserved	
Dual Ramp	Kickstart Time 2	30	Secs	0.0...2.0	0.0	This parameter provides a torque pulse for the programmed time period at the beginning of the starting maneuver for ramp profile #2.	
Dual Ramp	Kickstart Level2	31	%LRT	0...90	0	This parameter provides the user with the ability to set the level of the torque pulse applied to the motor (approx. 0 to 90%) for ramp profile #2	
Basic Set Up	Stop Mode	32		Soft Stop Linear Speed SMB Accu-Stop	Soft Stop	Allows the user to select the type of stop provided with the installed controller.	
Basic Set Up	Stop Time	33	Secs	0...120	0	Allows the user to select the length of stopping time when a stopping mode is selected.	
Linear List	Pump Pedestal	34				(Only available with Pump Control option) Allows the ability to manually adjust the pump algorithm slightly for different applications. The purpose of this parameter is to allow the pump stop algorithm to be more aggressive earlier in the ramp. If experiencing overload trips during stopping, either reduce the stopping time or try increasing this by units of 5. Try not to exceed a value of 40.	

② The 625, 780, 970, and 1250 A units the min./max. is 5.0...25 and the default value is 5.0 Amps.

**Table B.1 Parameter List (Continued)**

Group	Parameter Name	Parameter Number	Units	Min./Max.	Default Settings	Parameter Description	User Settings
Basic Set Up/ Accu-Stop	Braking Current	35	%FLC	0...400	0	When the Smart Motor Braking option is installed, this parameter allows the user the ability to adjust the braking current level applied to the motor. Smart Motor Braking and Accu-Stop has the capability to apply braking current to the motor from the "at speed" condition. With Smart Motor Braking, the braking maneuver continues until the motor comes to rest, at which point the controller automatically ceases braking action. Note that high braking currents can introduce excessive vibration to the motor couplings and/or gearing and additional heating in the motor.	
Linear List	Braking Time (SMB)	36 <sup>③</sup>	Sec	0...999	0	<p>This parameter provides the ability to override the SMB function (zero-speed detection) and set an exact time in which the braking current is applied to the motor. This can be used for applications where detecting zero speed is difficult or when the purpose is to reduce the number of overload trips associated with driving the motor to a complete stop.</p> <p>Setting this to a specific value will turn off the braking at a set time, each time a stopping maneuver is performed. An ideal setting can be accomplished through trial and error and should always allow for some small coast time. Setting this value to long will cause braking current to be applied to a stopped motor and likely result in overload trips.</p>	
Linear List	Load Type (SMB)	37 <sup>③</sup>		0 - Standard 1 - Hi Inertia 2 - Hi Friction  3 - Ramp 89	0 - Standard	<p>Allows the user the ability to modify the braking profile to match a particular load type. This parameter is designed to only be used with the SMB algorithm and not with timed brake. For the majority of applications the standard profile will work sufficiently. Adjusting this parameter should really only be used when some type of problem during braking is being encountered.</p>	
Linear List	High Eff Brake (SMB)	38 <sup>③</sup>	% of Stopping Time	0...99	0	<p>This parameter is used to extend the SMB braking time by a percentage of the typical stopping time. The need to adjust this parameter can occur when braking is applied to high efficiency motors and relates to the counter EMF produced by these motors. This setting should never really exceed 50%. Nuisance overload faults will likely occur is set incorrectly.</p>	

<sup>③</sup> This parameter is not viewable without entering a special password in Firmware versions 4.001 or earlier. Contact Rockwell Automation technical support if you have Version 4.001 firmware or earlier and need to access this parameter.

**Table B.1 Parameter List (Continued)**

Group	Parameter Name	Parameter Number	Units	Min./ Max.	Default Settings	Parameter Description	User Settings
Preset SS/ Accu-Stop	Slow Speed Sel	39		SS Low SS High	SS High	When this option is used, this parameter provides the user the ability to select between the “Low” and “High” settings for both the Preset Slow Speed and Accu-Stop control options.	
Preset SS/ Accu-Stop	Slow Speed Dir	40		SS FWD SS REV	SS FWD	Provides the user the ability to program the motor’s direction of rotation. Note that with the Preset Slow Speed option, the controller has the capability to operate the motor in the reverse direction during slow speed operation without the use of a reversing contactor.	
Preset SS/ Accu-Stop	Slow Accel Cur	41	%FLC	0...450	0	Provides the user the ability to program the current to slow speed operation for both the Preset Slow Speed and Accu-Stop control options. This setting is typically load dependent.	
Preset SS/ Accu-Stop	Slow Running Cur	42	%FLC	0...450	0	Provides the user the ability to program the operating current of slow speed operation for both the Preset Slow Speed and Accu-Stop control options. This setting is typically load dependent.	
Accu-Stop	Stopping Current	43	%FLC	0...400	0	Provides adjustment capability for the braking intensity from slow speed operation to the “stopped” condition for the Accu-Stop control option.	
Basic Set Up/ Overload	Overload Class	44		Disable Class 10 Class 15 Class 20 Class 30	Class 10	Allows the user to select the time-to-trip for the built-in overload. This selection is based on the type of motor being used and the application it is being applied too.	
Basic Set Up/ Overload	Service Factor	45		0.01...1.99	1.15	This motor nameplate value is used to determine the ultimate overload trip current.	
Basic Set Up/ Overload	Motor FLC	46	Amps	1.0...2200.0 ①	1.0	Sets the base current for use with all the current based protection features (jam, over / under load, motor overload ). The motor nameplate FLA is to be used regardless of the configuration WYE or DELTA.	
Basic Set Up/ Overload	Overload Reset	47		Manual Auto	Manual	Allows the user to select between an auto and manual reset mode for all Overload faults.	

① Devices rated 625...1250 Amps are only programmable to the whole digit ampere. There are no decimal points for any current based parameters.

**Table B.1 Parameter List (Continued)**

Group	Parameter Name	Parameter Number	Units	Min./Max.	Default Settings	Parameter Description	User Settings
Linear List	OL Shunt Time	48 <sup>③</sup>	Sec	0...999	0	This parameter prevents the overload from accumulating or incrementing the Motor Thermal Usage (%MTU) during the programmed “shunt” time. This function is allowable under some electrical codes for loads which have long acceleration times (i.e. High inertia). As a general rule of thumb, this time should never exceed the programmed start time. Setting this parameter longer than necessary can result in motor overheating that is not being accounted for in the thermal model.	
Linear List	OL Trip Enable/Disable	49 <sup>③</sup>		0= Disable 1= Enable	Enable	This parameter disables the overload from tripping during slow speed, pump stopping, and braking maneuvers. Motor Thermal Usage (%MTU) continues to increment during these maneuvers. Setting this parameter to disable can result in motor overheating or potential damage.	
Overload	Overload A Lvl	50	%MTU	0...100	0	Allows the user to set an overload level (% of motor thermal usage) that will cause an alarm when the level exceeds the setting.	
Underload	Underload F Lvl	51	%FLC	0...99	0	Allows the user to set a current (% of line FLC) that will cause a fault when the motor current falls below this value. A zero value is the “off” setting.	
Underload	Underload F Dly	52	Secs	0...99	0	Allows the user the ability to prevent some nuisance faults by entering a delay period that provides a window that the motor current condition must persist within for the controller to fault.	
Underload	Underload A Lvl	53	%FLC	0...99	0	Allows the user to set a current (% of line FLC) that will cause an Alarm when the motor current falls below this value. A zero value is the “off” setting.	
Underload	Underload A Dly	54	Secs	0...99	0	Allows the user the ability to prevent some nuisance Alarm conditions by entering a delay period that provides a window that the motor current condition must persist within for the controller to Alarm.	
Under-voltage	Undervolt F Lvl	55	%V	0...99	0	Allows the user to set a voltage (% of line Voltage) that will cause a fault when the voltage falls below this value. A zero value is the “off” setting.	
Under-voltage	Undervolt F Dly	56	Secs	0...99	0	Allows the user the ability to prevent some nuisance faults by entering a delay period that provides a window that the voltage condition must persist within for the controller to fault.	

<sup>③</sup> This parameter is not viewable without entering a special password in Firmware versions 4.001 or earlier. Contact Rockwell Automation technical support if you have Version 4.001 firmware or earlier and need to access this parameter.

**Table B.1 Parameter List (Continued)**

Group	Parameter Name	Parameter Number	Units	Min./Max.	Default Settings	Parameter Description	User Settings
Under-voltage	Undervolt A Lvl	57	%V	0...99	0	Allows the user to set a voltage (% of line Voltage) that will cause an Alarm when the voltage falls below this value. A zero value is the "off" setting.	
Under-voltage	Undervolt A Dly	58	Secs	0...99	0	Allows the user the ability to prevent some nuisance Alarms by entering a delay period that provides a window that the voltage condition must persist within for the controller to Alarm.	
Over-voltage	Overvolt F Lvl	59	%V	0...199	0	Allows the user to set a voltage (% of line Voltage) that will cause a fault when the voltage falls above this value. A zero value is the "off" setting.	
Over-voltage	Overvolt F Dly	60	Secs	0...99	0	Allows the user the ability to prevent some nuisance faults by entering a delay period that provides a window that the voltage condition must persist within for the controller to fault.	
Over-voltage	Overvolt A Lvl	61	%V	0...199	0	Allows the user to set a voltage (% of line Voltage) that will cause an Alarm when the voltage falls above this value. A zero value is the "off" setting.	
Over-voltage	Overvolt A Dly	62	Secs	0...99	0	Allows the user the ability to prevent some nuisance Alarms by entering a delay period that provides a window that the voltage condition must persist within for the controller to Alarm.	
Unbalance	Unbalance F Lvl	63	%V	0...25	0	Allows the user to set a percentage of line to line Voltages that will cause a fault when the voltage falls above this value. A zero value is the "off" setting.	
Unbalance	Unbalance F Dly	64	Secs	0...99	0	Allows the user the ability to prevent some nuisance faults by entering a delay period that provides a window that the voltage unbalance condition must persist within for the controller to fault.	
Unbalance	Unbalance A Lvl	65	%V	0...25	0	Allows the user to set a percentage of line to line Voltages that will cause an Alarm when the voltage falls above this value. A zero value is the "off" setting.	
Unbalance	Unbalance A Dly	66	Secs	0...99	0	Allows the user the ability to prevent some nuisance Alarms by entering a delay period that provides a window that the voltage unbalance condition must persist within for the controller to Alarm.	
Jam	Jam F Lvl	67	%FLC	0...1000	0	Allows the user to set an instantaneous over current level (% of line FLC) that will cause a fault. A zero value is the "off" setting.	
Jam	Jam F Dly	68	Secs	0...99	0	Allows the user the ability to prevent some nuisance faults by entering a delay period that provides a window that the motor over current condition must persist within for the controller to fault.	

**Table B.1 Parameter List (Continued)**

Group	Parameter Name	Parameter Number	Units	Min./Max.	Default Settings	Parameter Description	User Settings
Jam	Jam A Lvl	69	%FLC	0...1000	0	Allows the user to set an instantaneous over current level (% of line FLC) that will cause an Alarm. A zero value is the "off" setting.	
Jam	Jam A Dly	70	Secs	0...99	0	Allows the user the ability to prevent some nuisance Alarms by entering a delay period that provides a window that the motor over current condition must persist within for the controller to Alarm.	
Stall	Stall Delay	71	Secs	0.0...10.0	0	This feature allows the user to program the amount of time beyond the initial start maneuver for the motor to be at speed. A setting of zero means that the stall detection feature is disabled.	
Ground Fault	Gnd Flt Enable	72		Disable Enable	Disable	Enables ground fault protection when used with an external core balanced ground fault sensor.	
Ground Fault ②	Gnd Flt Level	73	Amps	1.0...5.0 ②	2.5 ②	Allows the user to set a current (core balance current) that will cause a fault when the current is above this value.	
Ground Fault	Gnd Flt Delay	74	Secs	0.1...250.0	0.5	Allows the user the ability to prevent some nuisance faults by entering a delay period that provides a window that the ground fault condition must persist within for the controller to fault.	
Ground Fault	Gnd Flt Inh Time	75	Secs	0...250	10	Allow the user the ability to disable/inhibit ground fault protection for a selected time when starting.	
Ground Fault	Gnd Flt A Enable	76		Disable Enable	Disable	Enables a ground fault protection Alarm when used with an external core balanced ground fault sensor.	
Ground Fault ②	Gnd Flt A Lvl	77	Amps	1.0...5.0 ②	2.0 ②	Allows the user to set a current (core balance current) that will cause an Alarm when the current is above this value.	
Ground Fault	Gnd Flt A Dly	78	Secs	0...250	10	Allows the user the ability to prevent some nuisance Alarms by entering a delay period that provides a window that the ground fault condition must persist within for the controller to Alarm.	
PTC	PTC Enable	79		Disable Enable	Disable	Enables PTC based over-temperature protection when used with external PTC sensors.	
Phase Reversal	Phase Reversal	80		Disable Enable	Disable	Allows the user to prevent starting if the incoming line phase sequence is not correct. The incoming power lines are expected to be in an ABC sequence. The controller will fault if power lines are out of the ABC sequence.	
Restart	Starts Per Hour	81		0...99		Limits the number of starts that can occur in a one-hour period. This feature includes a "sliding window" for the one-hour time period.	

② The 625, 780, 970, and 1250 A units the min./max. is 5.0...25 and the default value is 5.0 Amps.

**Table B.1 Parameter List (Continued)**

Group	Parameter Name	Parameter Number	Units	Min./Max.	Default Settings	Parameter Description	User Settings
Restart	Restart Attempts	82		0...5	0	Allows the user to enable the SMC-Flex to auto-restart for up-to 5 attempts, other than an SCR overtemp or motor overload fault. The start signal must remain active for a restart to occur.	
Restart	Restart Delay	83	Secs	0...60	0	Provides a delay time between restart attempts to allow for the condition to be removed.	
Linear List	Line Fault Disable	84 <sup>③</sup>		0=Disable 1=Disable F1 2=Disable F41 3=Enable	Enable	This parameter gives the user the ability to selectively disable specific fault codes such as F1, F2, F3 and F41, F42, F43. These faults are used to detect problems with incoming power and the detection of appropriate zero crosses (F1) or the firing of the SCRs based on the current and voltage characteristics associated with the SCR turning off (F41). These faults can only occur during starting or stopping and are usually related to the incoming power condition.	
Linear List	Emergency Run	85 <sup>③</sup>		0 = Disable 1=Enable	Disable	This parameter defeats all running faults and is only effective in the "run" mode. It will not override faults prior to starting (i.e. shorted SCR). This parameter is reset to "off/disable" when control power is recycled.	
Linear List	Current Loss	86 <sup>③</sup>		0 = Disable 1=Enable	Enable	This parameter allows the user to override a current loss fault. This is indicative of the typical failure mode of a damaged CT.	
Comm Masks	Logic Mask	87		8-bit binary	0	Allows the user to enable or disable control from various serial interface ports (DPI) with a "0" setting. If a port is set to "1", the port will be allowed to control the SMC and will produce a comm. fault if disconnected.	
DataLinks	Data In A1	88			0	16 bit Datalink	
DataLinks	Data In A2	89			0	16 bit Datalink	
DataLinks	Data In B1	90			0	16 bit Datalink	
DataLinks	Data In B2	91			0	16 bit Datalink	
DataLinks	Data In C1	92			0	16 bit Datalink	
DataLinks	Data In C2	93			0	16 bit Datalink	
DataLinks	Data In D1	94			0	16 bit Datalink	
DataLinks	Data In D2	95			0	16 bit Datalink	
DataLinks	Data Out A1	96			0	16 bit Datalink	
DataLinks	Data Out A2	97			0	16 bit Datalink	
DataLinks	Data Out B1	98			0	16 bit Datalink	
DataLinks	Data Out B2	99			0	16 bit Datalink	
DataLinks	Data Out C1	100			0	16 bit Datalink	
DataLinks	Data Out C2	101			0	16 bit Datalink	
DataLinks	Data Out D1	102			0	16 bit Datalink	
DataLinks	Data Out D2	103			0	16 bit Datalink	

<sup>③</sup> This parameter is not viewable without entering a special password in Firmware versions 4.001 or earlier. Contact Rockwell Automation technical support if you have Version 4.001 firmware or earlier and need to access this parameter.

**Table B.1 Parameter List (Continued)**

Group	Parameter Name	Parameter Number	Units	Min./Max.	Default Settings	Parameter Description	User Settings
Motor Data	Motor ID	104		0...65535	0	Allows the user the ability to assign a specific identification number to a motor and controller combination. This can be useful for network applications where you may need to locate a specific motor/controller based on a network address.	
Motor Data	CT Ratio	105		1...1500		Sets the proper current ratio when an external current transformer is used for Medium Voltage applications.	
Motor Data	MV Ratio	106		1...10000		Sets the proper feedback scaling when used for Medium Voltage applications.	
Basic Set Up	Aux1 Config	107		Normal Normal NC Up To Speed Up To Speed NC Fault Fault NC Alarm Alarm NC Network Network NC External Bypass	Normal	Allows the user the ability to configure each Auxiliary relay contact for a specific operation Note: Normal = SMC in RUN	
Basic Set Up	Aux3 Config	108		Normal Normal NC Up To Speed Up To Speed NC Fault Fault NC Alarm Alarm NC Network Network NC External Bypass	Alarm	Allows the user the ability to configure each Auxiliary relay contact for a specific operation Note: Normal = SMC in RUN	
Basic Set Up	Aux4 Config	109		Normal Normal NC Up To Speed Up To Speed NC Fault Fault NC Alarm Alarm NC Network Network NC External Bypass	Normal	Allows the user the ability to configure each Auxiliary relay contact for a specific operation Note: Normal = SMC in RUN	



Table B.1 Parameter List (Continued)

Group	Parameter Name	Parameter Number	Units	Min./Max.	Default Settings	Parameter Description	User Settings
Basic Set Up	Aux2 Config	110		Normal Normal NC Up To Speed Up To Speed NC Fault Fault NC Alarm Alarm NC Network Network NC External Bypass	Fault	Allows the user the ability to configure each Auxiliary relay contact for a specific operation Note: Normal = SMC in RUN	
Language	Language	111		English French Spanish German Portuguese Mandarin	English	Allows the user to change the text display to one of the available options.	
Linear List	Timed Start	112 <sup>③</sup>		0 = Disable 1=Enable	Disable	This parameter can be used to force the starting profile to complete its entire time period and ignore an early up-to-speed detection. The default is set to "Disabled", so that the SMC can determine when the motor is at speed.	
Linear List	I Shut Off	113 <sup>③</sup>	% current	0...37	0	This parameter adjusts the level of current at which the SMC determines that the SCR has turned off. Since this parameter has the potential to modify the SCR control scheme, it is important that adjustments be made with the help of Technical Support.	
Linear List	UTS Level	114 <sup>③</sup>	% up to speed	0...100	75	The SMC has the ability to automatically determine if the motor is up to speed. If there is a problem with detecting the up-to-speed condition, this parameter can be modified to compensate. Rule of thumb is this number should be increased on high efficiency motors experiencing problems. If the SMC is detecting the up-to-speed condition too late (or not at all) this number should be decreased on very low efficiency motors. <b>Note:</b> Be careful when adjusting this level. Improper adjustment can cause the SMC to start at full voltage	
All	Parameter Mgmt	115		Ready Load Default	Ready	Allows the user to load factory default values for all parameters.	
Basic Set Up	Backspin Timer	116	Secs	0...999	0	(Only available with the Pump Control option) Ensures that a specific amount of time passes between a stop and start sequence.	

<sup>③</sup> This parameter is not viewable without entering a special password in Firmware versions 4.001 or earlier. Contact Rockwell Automation technical support if you have Version 4.001 firmware or earlier and need to access this parameter.

**Table B.1 Parameter List (Continued)**

Group	Parameter Name	Parameter Number	Units	Min./Max.	Default Settings	Parameter Description	User Settings
Linear List	V Shut Off Level	117 <sup>③</sup>	% V	0...100	25	This parameter provides the user with the ability to manually adjust the level for the controller's voltage shut off detection. Since this parameter has the potential to modify the SCR control scheme, it is important that adjustments be made with the help of Technical Support. It is important that you do not disable both parameter 113 and this one at the same time, otherwise SCR firing instability can occur.	
Linear List	OL Reset Level	118 <sup>③</sup>	%	0...99	75	Sets the level at which the motor overload is allowed to be reset. Once the TCU% has dropped below the program level, the device can be reset manually or will auto reset if programmed for auto-reset operation.	
Linear List	Ambient Temperature	119 <sup>③</sup>		0...60	50	Provides the ability to compensate for a lower or higher ambient temperature condition. The ambient temperature programmed should be representative of the actual nominal temperature (or worst case condition) since improper programming can result in nuisance tripping or SCR damage due to true SCR overheating.	
Linear List	Notch Position	120 <sup>③</sup>	%	40.0...100.0	87.5	This parameter allows for the starting control algorithm to be manually modified. It is recommended that you do not make changes to this parameter without specifically talking with Technical Support.	
Linear List	Notch Maximum (pump control)	121 <sup>③</sup>		50...70	70	This parameter allows for the pump stopping control algorithm to be manually modified. It is recommended that you do not make changes to this parameter without specifically talking with Technical Support.	
Linear List	Start Delay	122 <sup>③</sup>	Sec	0...30	0	An internal on-delay timer. Ensures that a subsequent start can not be initiated for a preset amount of time	
Linear List	By-pass Delay	123 <sup>③</sup>	Sec	0...15	0	For applications that routinely see fast spikes of current or overload conditions (more than 125% of the SMC's frame rating) this parameter can be used to reduce the cycling between SCR and by-pass. This time delay parameter will allow the SMC to stay under SCR control for the duration of time programmed.	
Linear List	Fault 1	124		0...255		Fault buffer #1 allows display of the current fault. A value of 0 indicates that there is no current fault.	
Linear List	Fault 2	125		0...255		Fault buffer #2 represents fault history of the device with fault #1 being the current fault and fault #5 being the oldest fault kept in memory.	

<sup>③</sup> This parameter is not viewable without entering a special password in Firmware versions 4.001 or earlier. Contact Rockwell Automation technical support if you have Version 4.001 firmware or earlier and need to access this parameter.

**Table B.1 Parameter List (Continued)**

Group	Parameter Name	Parameter Number	Units	Min./Max.	Default Settings	Parameter Description	User Settings
Linear List	Fault 3	126		0...255		Fault buffer #3 represents fault history of the device with fault #1 being the current fault and fault #5 being the oldest fault kept in memory.	
Linear List	Fault 4	127		0...255		Fault buffer #4 represents fault history of the device with fault #1 being the current fault and fault #5 being the oldest fault kept in memory.	
Linear List	Fault 5	128		0...255		Fault buffer #5 represents fault history of the device with fault #1 being the current fault and fault #5 being the oldest fault kept in memory.	
Linear List	Ramp Time E	129 <sup>③</sup>	Sec	0...999	0	This parameter provides the user with the ability to extend the ramp time beyond the initial range of 0-30 seconds. To use this parameter, parameter 18 must be set to 0.	
Linear List	Ramp Time 2E	130 <sup>③</sup>	Sec	0...999	0	Allows for the second ramp time to also be extended. To use this parameter, parameter 26 must be set to 0.	
Linear List	Stop Time E	131 <sup>③</sup>	Sec	0...999	0	Allows the stop time be extended beyond the limit of 120 seconds. Parameter 33 must be set to 0 for this parameter to be active.	
Basic Set Up	Option Input 1	132		Disable Coast Stop Option Fault Fault NC Network	Stop Option	Provides the user with the ability to define the function of option Input #1.	
Basic Set Up	Stop Input	133		Coast Stop Option	Coast	Provides the user with the ability to define the function of the stop input.	
Linear List	Elapsed Time 2	134 <sup>③</sup>	Hours	0.0/3000.0		This is an additional Elapsed Time Meter that cannot be reset by the user. It increments exactly as the Elapsed Time but cannot be reset.	

<sup>③</sup> This parameter is not viewable without entering a special password in Firmware versions 4.001 or earlier. Contact Rockwell Automation technical support if you have Version 4.001 firmware or earlier and need to access this parameter.

**Notes**

## Renewal Parts

Description		SMC Rating	Part No. ①			
			For units rated 200...600V AC		For units rated 690V AC	
			100...240V AC	24V AC/DC	100...240V AC	
Control Modules	Standard	All	41391-454-01-S1FX	41391-454-02-S2FX	41391-454-05-S1FZ	
	Pump	All	41391-454-01-B1FX	41391-454-02-B2FX	41391-454-05-B1FZ	
	Braking	5...85 A	41391-454-01-D1AX	41391-454-02-D2AX	41391-454-05-D1AZ	
		108...251 A	41391-454-01-D1BX	41391-454-02-D2BX	41391-454-05-D1BZ	
		317...480 A	41391-454-01-D1CX	41391-454-02-D2CX	41391-454-05-D1CZ	
		625...780 A	41391-454-01-D1DX	N/A	41391-454-05-D1DZ	
	970...1250 A	41391-454-01-D1EX	N/A	41391-454-05-D1EZ		
Description		SMC Rating	Series	Part No. ①		
				Line Voltage		
				200...480V	200...600V	230...690V
Power Poles		5 A	B	150-FPP5B ②	150-FPP5C ②	N/A
		25 A	B	150-FPP25B ②	150-FPP25C ②	N/A
		43 A	B	150-FPP43B ②	150-FPP43C ②	N/A
		60 A	B	150-FPP60B ②	150-FPP60C ②	N/A
		85 A	B	150-FPP85B ②	150-FPP85C ②	N/A
		108 A	B	150-FPP108B ②	150-FPP108C ②	150-FPP108Z ②
		135 A	B	150-FPP135B ②	150-FPP135C ②	150-FPP135Z ②
		201 A	B	150-FPP201B ③	150-FPP201C ③	150-FPP201Z ③
		251 A	B	150-FPP251B ③	150-FPP251C ③	150-FPP251Z ③
		317 A	B	150-FPP317B ③	150-FPP317C ③	150-FPP317Z ③
		361 A	B	150-FPP361B ③	150-FPP361C ③	150-FPP361Z ③
		480 A	B	150-FPP480B ③	150-FPP480C ③	150-FPP480Z ③
		625 A	B	150-FPP625B ③	150-FPP625C ③	150-FPP625Z ③
		780 A	B	150-FPP780B ③	150-FPP780C ③	150-FPP780Z ③
		970 A	B	150-FPP970B ③	150-FPP970C ③	150-FPP970Z ③
	1250 A	B	150-FPP1250B ③	150-FPP1250C ③	150-FPP1250Z ③	
Heatsink Fans		5...85 A	B	41391-801-03		
		108...135 A	B	41391-801-03		
		201...251 A	B	41391-801-01		
		317...480 A	B	41391-801-02		
		625...1250 A	B	41391-801-04		
		625...1250 A	B	41391-801-05		
Base Plate		201...251 A	B	41391-803-01		
		317...480 A	B	41391-803-02		
By-Pass Contactor	110/120V AC Control Power	625...780 A	B	100-D180ED11 ④		
		970...1250 A	B	100-D420ED11 ④		
	230/240V AC Control Power	625...780 A	B	100-D180EA11 ④		
		970...1250 A	B	100-D420EA11 ④		

- ① One piece provided per part number.
- ② Three-phase power pole structure provided per part no.
- ③ One-phase power pole provided per part no.
- ④ See Appendix D for special installation instructions.

**Notes:**

## Contactor Replacement Installation Instructions for 625...1250 A units

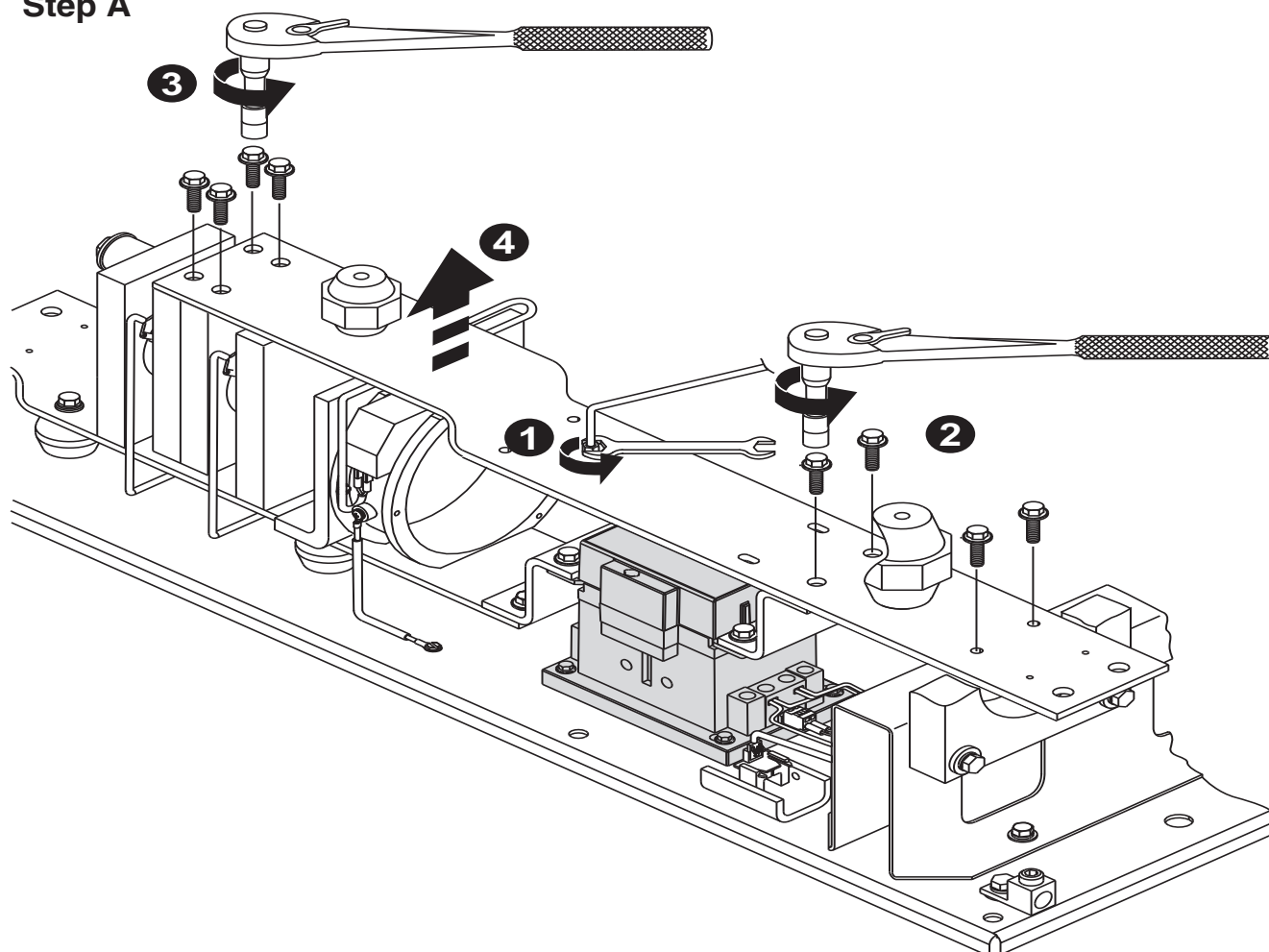
**ATTENTION**

Remove all power to the unit, before proceeding with replacement procedures.

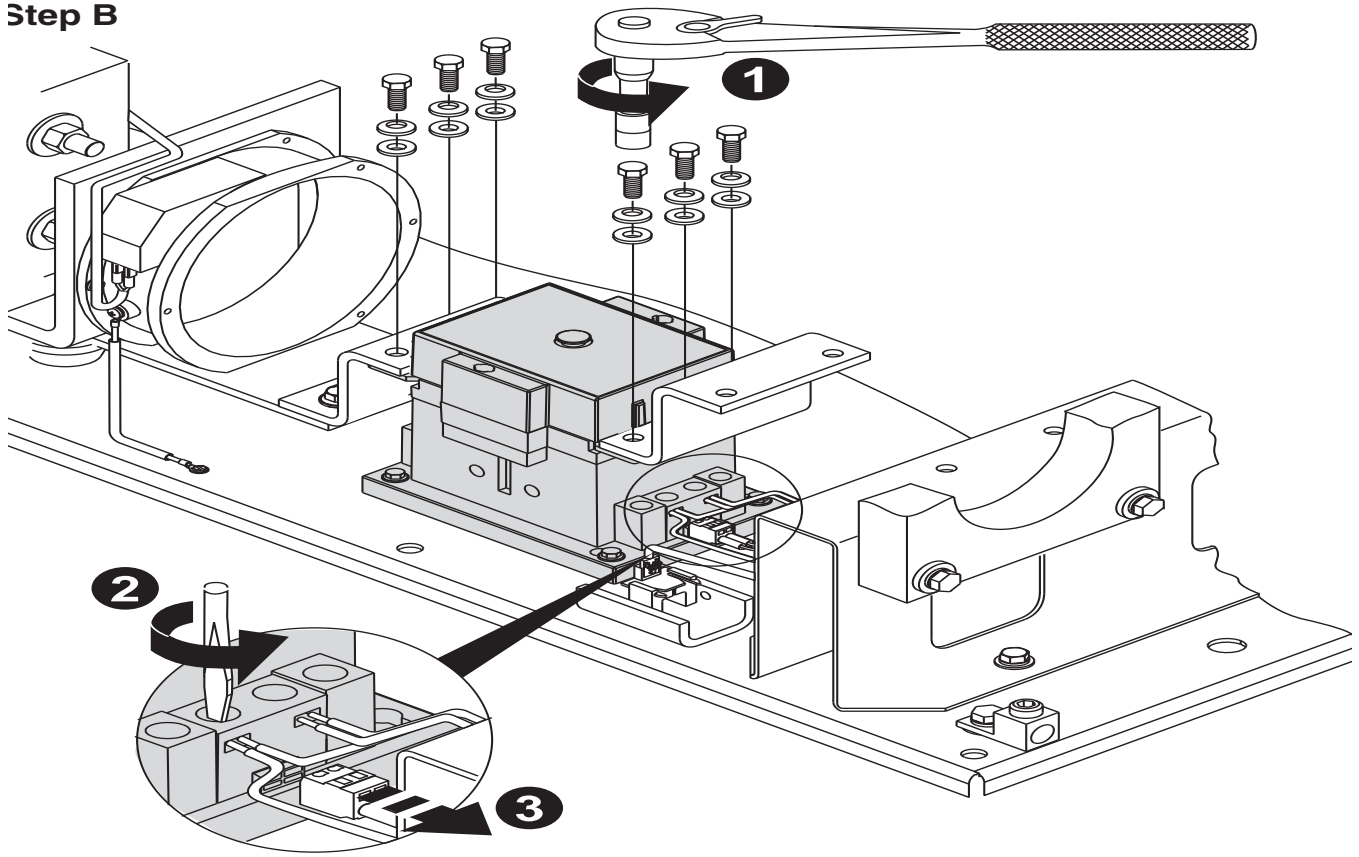


Prior to beginning the following steps, the front cover must be removed:

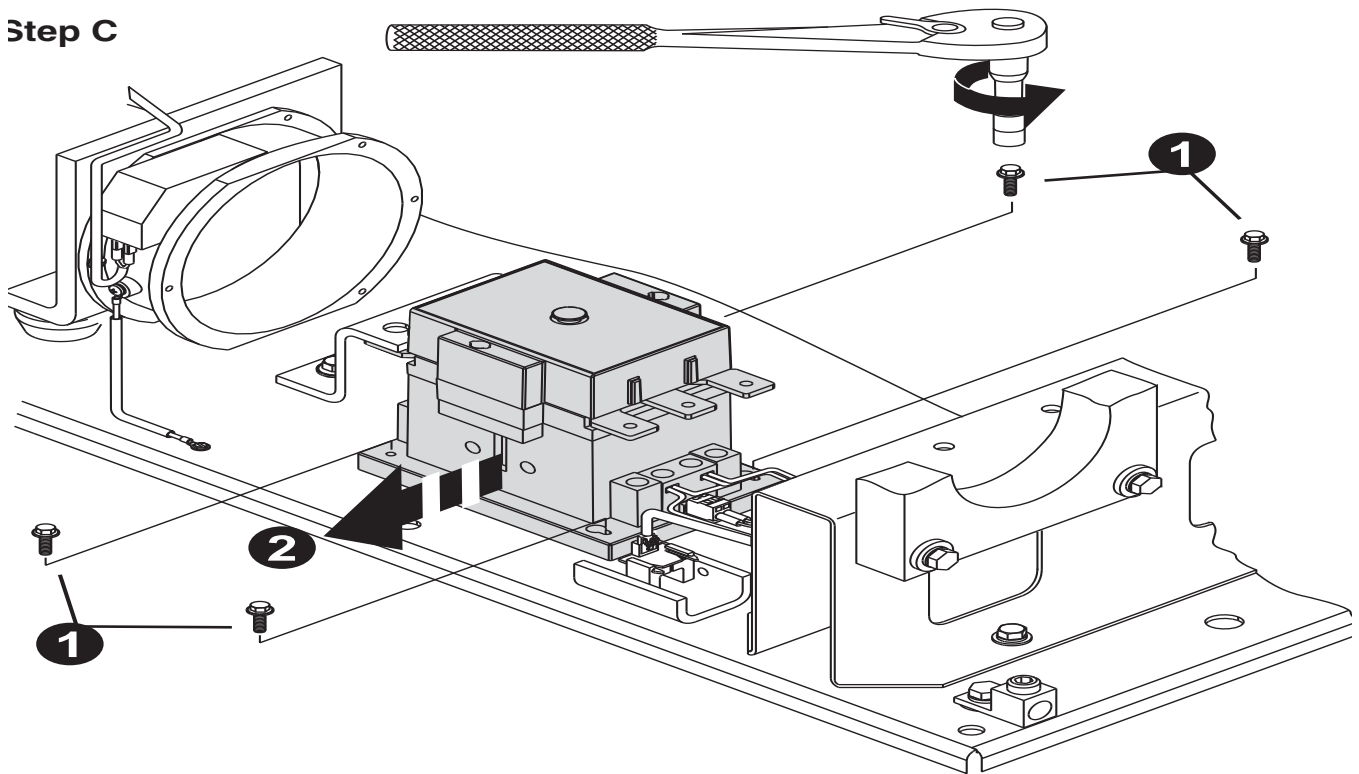
**Step A**



**Step B**



**Step C**







**⚠ DANGER**

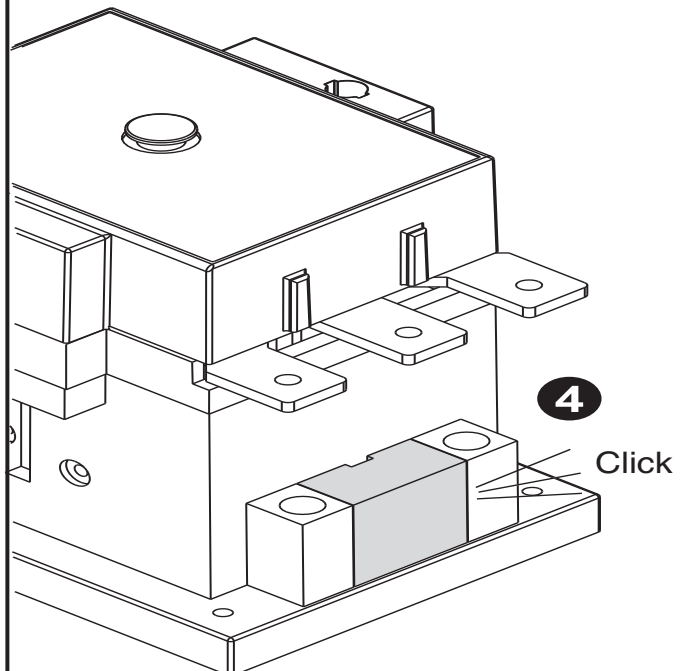
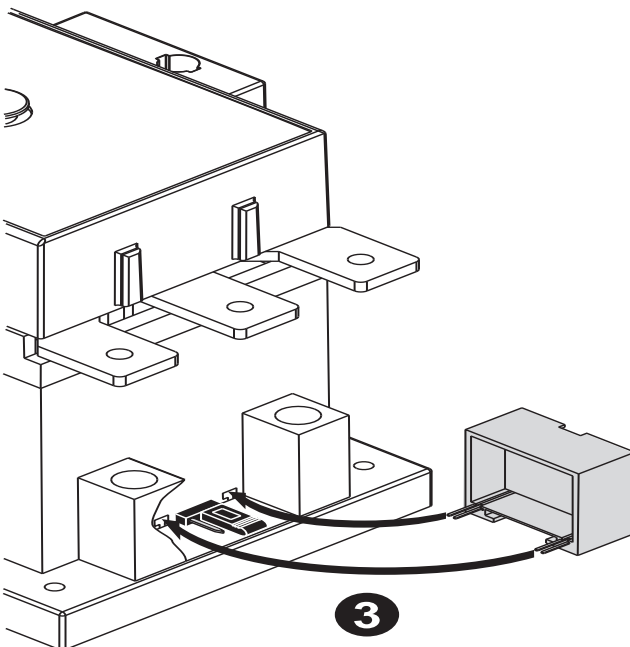
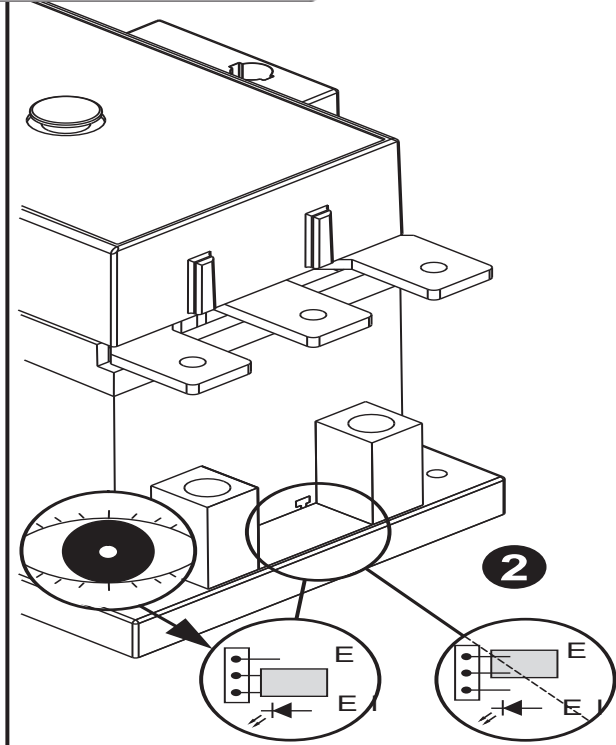
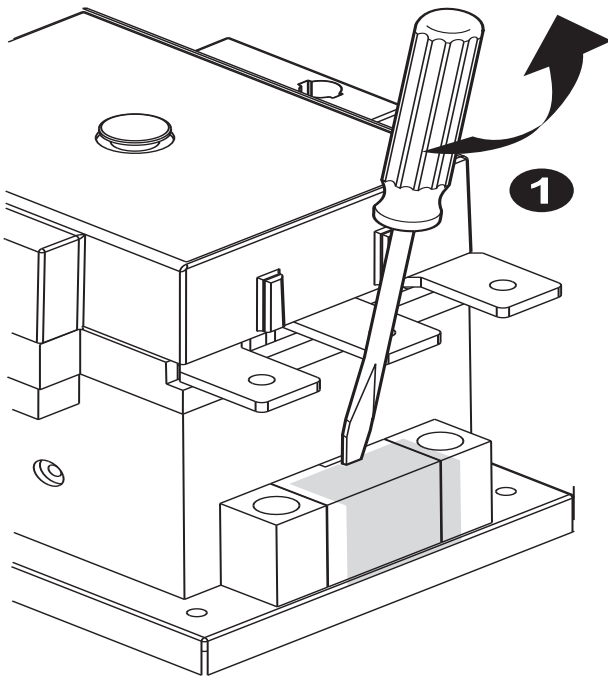
Before replacing contactor, adjust replacement contactor coil control E → E1.

Read and understand this equipment service instruction before servicing.

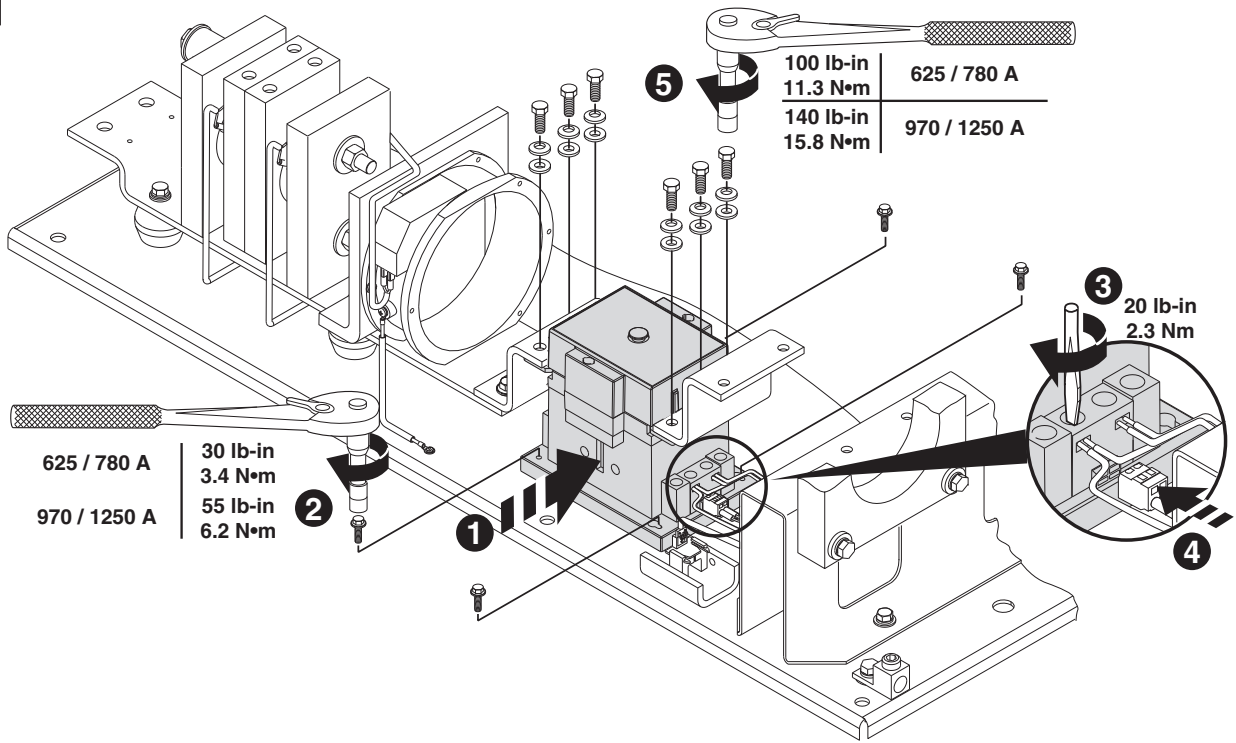
Failure to follow service instructions could result in death or serious injury.

©2006 HCS, LLC    www.safetylabel.com    xxxxxx    Reorder No. HE127-W2BDHPK

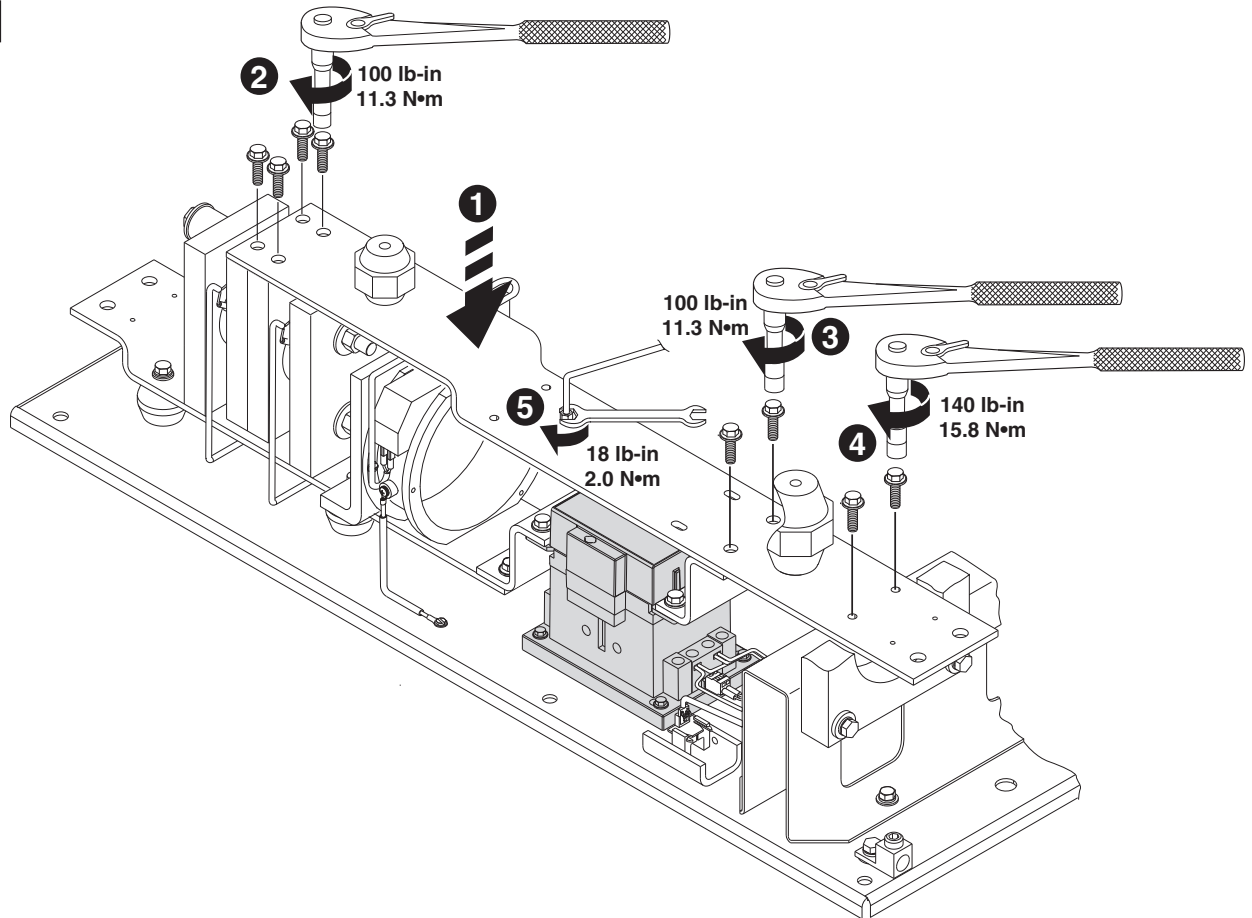
**Step D**



5



6



## Accessories

Description	Description/Used With	Cat. No.
Protective Modules	5...85 A, 480V	150-F84
	108...1250 A, 480V	150-F84L
	5...85 A, 600V	150-F86
	108...1250 A, 600V	150-F86L
Terminal Lugs	108...251 A	199-LF1
	317...480 A	199-LG1
	625...1250 A	100-DL630 100-DL860
IEC Terminal Covers	108...135 A	150-TC1
	201...251 A	150-TC2
	317...480 A	150-TC3
HIM	Hand-Held ①	20-HIM-A2
		20-HIM-A3
		20-HIM-A4
		20-HIM-A5
	Door-Mounted (includes cable)	20-HIM-C3
		20-HIM-C3S
		20-HIM-C5
		20-HIM-C5S
	Extension Cables	1202-H03
		1202-H10
		1202-H30
		1202-H90
	Splitter Cable	1203-S03
Communication Modules	DeviceNet	20-COMM-D
	ControlNet	20-COMM-C
	Remote I/O	20-COMM-R
	Profibus	20-COMM-P
	RS 485	20-COMM-S
	InterBus	20-COMM-I
	EtherNet	20-COMM-E
	RS 485 HVAC	20-COMM-H
ControlNet (Fiber)	20-COMM-Q	

① Requires a 20-HIM-H10 cable.

**Notes:**

## Renewal Part Cross Reference

Description	Controller Type	SMC Rating	Line Voltage	Control Input Voltage	Orderable Renewal Part No.	Control Module Cat. No. on the Label ①		
Control Module	Standard	All	200...600V	100...240V	41391-454-01-S1FX	150-FS1FX		
				24V AC/DC	41391-454-02-S2FX	150-FS2FX		
				110/120V	41391-454-05-S1FZ	150-FS1FZ		
			690V	230/240V				
				200...600V	All	100...240V	41391-454-01-B1FX	150-FB1FX
						24V AC/DC	41391-454-02-B2FX	150-FB2FX
	110/120V	41391-454-05-B1FZ	150-FB1FZ					
	690V	230/240V						
		Braking	5...85 A	200...600V	100...240V	41391-454-01-D1AX	150-FD1AX	
					24V AC/DC	41391-454-02-D2AX	150-FD2AX	
	110/120V				41391-454-05-D1AZ	150-FD1AZ		
	690V			230/240V				
				200...600V	108...251 A	100...240V	41391-454-01-D1BX	150-FD1BX
						24V AC/DC	41391-454-02-D2BX	150-FD2BX
	110/120V	41391-454-05-D1BZ	150-FD1BZ					
	690V	230/240V						
		317...480 A	200...600V	100...240V	41391-454-01-D1CX	150-FD1CX		
					24V AC/DC	41391-454-02-D2CX	150-FD2CX	
	110/120V				41391-454-05-D1CZ	150-FD1CZ		
	690V			230/240V				
				200...600V	625...780 A	110/120V	41391-454-02-D1DX	150-FD1DX
						230/240V		
	110/120V	41391-454-05-D1DZ	150-FD1DZ					
	690V	230/240V						
970...1250 A		200...600V	110/120V	41391-454-02-D1EX	150-FD1EX			
				230/240V				
	110/120V			41391-454-05-D1EZ	150-FD1EZ			
	690V		230/240V					

Control Type	Control Voltage	Line Voltage	Amperes	Originally Ordered AB Cat. No.	Series	Internal Control Module Label ①	Orderable Power Poles
Standard	100...240V	200...480V AC	5	150-F5NBD	B	150-FS1FX	150-FPP5B
			25	150-F25NBD	B	150-FS1FX	150-FPP25B
			43	150-F43NBD	B	150-FS1FX	150-FPP43B
			60	150-F60NBD	B	150-FS1FX	150-FPP60B
			85	150-F85NBD	B	150-FS1FX	150-FPP85B
			108	150-F108NBD	B	150-FS1FX	150-FPP108B
			135	150-F135NBD	B	150-FS1FX	150-FPP135B
		200...600V AC	5	150-F5NCD	B	150-FS1FX	150-FPP5C
			25	150-F25NCD	B	150-FS1FX	150-FPP25C
			43	150-F43NCD	B	150-FS1FX	150-FPP43C
			60	150-F60NCD	B	150-FS1FX	150-FPP60C
			85	150-F85NCD	B	150-FS1FX	150-FPP85C
			108	150-F108NCD	B	150-FS1FX	150-FPP108C
			135	150-F135NCD	B	150-FS1FX	150-FPP135C
	24V AC/DC	200...480V AC	5	150-F5NBR	B	150-FS2FX	150-FPP5B
			25	150-F25NBR	B	150-FS2FX	150-FPP25B
			43	150-F43NBR	B	150-FS2FX	150-FPP43B
			60	150-F60NBR	B	150-FS2FX	150-FPP60B
			85	150-F85NBR	B	150-FS2FX	150-FPP85B
			108	150-F108NBR	B	150-FS2FX	150-FPP108B
			135	150-F135NBR	B	150-FS2FX	150-FPP135B
		200...600V AC	5	150-F5NCR	B	150-FS2FX	150-FPP5C
			25	150-F25NCR	B	150-FS2FX	150-FPP25C
			43	150-F43NCR	B	150-FS2FX	150-FPP43C
			60	150-F60NCR	B	150-FS2FX	150-FPP60C
			85	150-F85NCR	B	150-FS2FX	150-FPP85C
			108	150-F108NCR	B	150-FS2FX	150-FPP108C
			135	150-F135NCR	B	150-FS2FX	150-FPP135C

① These are not orderable catalog numbers. they appear on the product label of the orderable part. If a control module needs to be ordered, reference the control module renewal part no. found in Appendix C.

Control Type	Control Voltage	Line Voltage	Amperes	Originally Ordered AB Cat. No.	Series	Internal Control Module Label ①	Orderable Power Poles
Pump Control	100...240V	200...480V AC	5	150-F5NBDB	B	150-FB1FX	150-FPP5B
			25	150-F25NBDB	B	150-FB1FX	150-FPP25B
			43	150-F43NBDB	B	150-FB1FX	150-FPP43B
			60	150-F60NBDB	B	150-FB1FX	150-FPP60B
			85	150-F85NBDB	B	150-FB1FX	150-FPP85B
			108	150-F108NBDB	B	150-FB1FX	150-FPP108B
			135	150-F135NBDB	B	150-FB1FX	150-FPP135B
		200...600V AC	5	150-F5NCDB	B	150-FB1FX	150-FPP5C
			25	150-F25NCDB	B	150-FB1FX	150-FPP25C
			43	150-F43NCDB	B	150-FB1FX	150-FPP43C
			60	150-F60NCDB	B	150-FB1FX	150-FPP60C
			85	150-F85NCDB	B	150-FB1FX	150-FPP85C
			108	150-F108NCDB	B	150-FB1FX	150-FPP108C
			135	150-F135NCDB	B	150-FB1FX	150-FPP135C
	24V AC/DC	200...480V AC	5	150-F5NBRB	B	150-FB2FX	150-FPP5B
			25	150-F25NBRB	B	150-FB2FX	150-FPP25B
			43	150-F43NBRB	B	150-FB2FX	150-FPP43B
			60	150-F60NBRB	B	150-FB2FX	150-FPP60B
			85	150-F85NBRB	B	150-FB2FX	150-FPP85B
			108	150-F108NBRB	B	150-FB2FX	150-FPP108B
			135	150-F135NBRB	B	150-FB2FX	150-FPP135B
		200...600V AC	5	150-F5NCRB	B	150-FB2FX	150-FPP5C
			25	150-F25NCRB	B	150-FB2FX	150-FPP25C
			43	150-F43NCRB	B	150-FB2FX	150-FPP43C
			60	150-F60NCRB	B	150-FB2FX	150-FPP60C
			85	150-F85NCRB	B	150-FB2FX	150-FPP85C
			108	150-F108NCRB	B	150-FB2FX	150-FPP108C
			135	150-F135NCRB	B	150-FB2FX	150-FPP135C

① These are not orderable cat. nos. If a control module needs to be ordered, reference the control module renewal part no. found in Appendix C.

Control Type	Control Voltage	Line Voltage	Amperes	Originally Ordered AB Cat. No.	Series	Internal Control Module Label ①	Orderable Power Poles
Braking Control	100...240V	200...480V AC	5	150-F5NBDD	B	150-FD1AX	150-FPP5B
			25	150-F25NBDD	B	150-FD1AX	150-FPP25B
			43	150-F43NBDD	B	150-FD1AX	150-FPP43B
			60	150-F60NBDD	B	150-FD1AX	150-FPP60B
			85	150-F85NBDD	B	150-FD1AX	150-FPP85B
			108	150-F108NBDD	B	150-FD1BX	150-FPP108B
			135	150-F135NBDD	B	150-FD1BX	150-FPP135B
		200...600V AC	5	150-F5NCDD	B	150-FD1AX	150-FPP5C
			25	150-F25NCDD	B	150-FD1AX	150-FPP25C
			43	150-F43NCDD	B	150-FD1AX	150-FPP43C
			60	150-F60NCDD	B	150-FD1AX	150-FPP60C
			85	150-F85NCDD	B	150-FD1AX	150-FPP85C
			108	150-F108NCDD	B	150-FD1BX	150-FPP108C
			135	150-F135NCDD	B	150-FD1BX	150-FPP135C
	24V AC/DC	200...480V AC	5	150-F5NBRD	B	150-FD2AX	150-FPP5B
			25	150-F25NBRD	B	150-FD2AX	150-FPP25B
			43	150-F43NBRD	B	150-FD2AX	150-FPP43B
			60	150-F60NBRD	B	150-FD2AX	150-FPP60B
			85	150-F85NBRD	B	150-FD2AX	150-FPP85B
			108	150-F108NBRD	B	150-FD2BX	150-FPP108B
			135	150-F135NBRD	B	150-FD2BX	150-FPP135B
		200...600V AC	5	150-F5NCRD	B	150-FD2AX	150-FPP5C
			25	150-F25NCRD	B	150-FD2AX	150-FPP25C
			43	150-F43NCRD	B	150-FD2AX	150-FPP43C
60			150-F60NCRD	B	150-FD2AX	150-FPP60C	
85			150-F85NCRD	B	150-FD2AX	150-FPP85C	
108			150-F108NCRD	B	150-FD2BX	150-FPP108C	
135			150-F135NCRD	B	150-FD2BX	150-FPP135C	

① These are not orderable cat. nos. If a control module needs to be ordered, reference the control module renewal part no. found in Appendix C.





**[www.rockwellautomation.com](http://www.rockwellautomation.com)**

---

**Power, Control and Information Solutions Headquarters**

Americas: Rockwell Automation, 1201 South Second Street, Milwaukee, WI 53204 USA, Tel: (1) 414.382.2000, Fax: (1) 414.382.4444

Europe/Middle East/Africa: Rockwell Automation, Vorstlaan/Boulevard du Souverain 36, 1170 Brussels, Belgium, Tel: (32) 2 663 0600, Fax: (32) 2 663 0640

Asia Pacific: Rockwell Automation, Level 14, Core F, Cyberport 3, 100 Cyberport Road, Hong Kong, Tel: (852) 2887 4788, Fax: (852) 2508 1846