

Molded Case Circuit Breaker Specifications

Bulletin Number 140G, 140MG

Topic	Page
Product Line Overview	2
Specifications	4
Approximate Dimensions—125 A, G-Frame	8
Approximate Dimensions—125 A, H-Frame	16
Approximate Dimensions—225 A, I-Frame	24
Approximate Dimensions—250 A, J-Frame	32
Approximate Dimensions—400 A, K-Frame	40
Approximate Dimensions—800 A, M-Frame	46
Approximate Dimensions—1200 A, N-Frame	49
Approximate Dimensions—1200 A, NS-Frame	56
Approximate Dimensions—2000...3000 A, R-Frame	60

Additional Resources

These documents contain additional information concerning related products from Rockwell Automation.

Resource	Description
Industrial Automation Wiring and Grounding Guidelines, publication 1770-4.1	Provides general guidelines for installing a Rockwell Automation industrial system.
Product Certifications website, http://www.ab.com	Provides declarations of conformity, certificates, and other certification details.

You can view or download publications at <http://www.rockwellautomation.com/literature/>. To order paper copies of technical documentation, contact your local Allen-Bradley distributor or Rockwell Automation sales representative.





G-Frame



H-Frame



I-Frame



J-Frame



K-Frame



M-Frame



N-, NS-Frame



R-Frame

Frame Reference	G-Frame	H-Frame	I-Frame	J-Frame	K-Frame	M-Frame	N-Frame	NS-Frame	R-Frame
Rated Current I_n	125 A	125 A	225 A	250 A	400 A	800 A	1200 A	1200 A	3000 A
No. of Poles	3, 4	3, 4	3, 4	3, 4	3, 4	3, 4	3, 4	3, 4	3, 4
Interrupting Rating [kA]									
240V	50 65 100	65 100 150 200 200	50 65	65 100 150 200	100 150 200 200	100 200 200	65 100 150	65 100 150	125
480V	25 35 65	25 35 65 100 150	25 35	25 35 65 100	35 65 100 150	50 65 100	50 65 100	50 65 100	125
600Y/347V	10 14 25	—	10 10	—	—	—	—	—	—
600V	—	14 18 25 35	10 10	14 18 25 35	25 35 65 100	25 35 42	25 50 65	25 50 65	100
Breaking Capacity [I_{cu} (kA)]									
220...240V	65 85 100	65 85 100 150 200	65 85	65 85 100 150	85 100 200 200	85 100 200	85 100 200	85 100 200	130
415V	36 50 70	36 50 70 120 150	36 50	36 50 70 120	50 70 120 200	36 70 100	50 70 120	50 70 120	80
440V	36 50 65	36 50 65 100 150	25 40	36 50 65 100	40 65 100 180	35 50 65	50 65 100	50 65 100	80
690V	6 8 10	10 12 15 18 20	5 8	10 12 15 20	25 40 70 80	22 25 30	30 42 50	30 42 50	40
250V DC	36 50 70	36 50 70 85 100	36 50	36 50 70 85	—	36 50 65	—	—	—
500V DC	36 50 70	36 50 70 85 100	36 50	36 50 70 85	36 50 70 100	—	—	—	—
750V DC	—	—	—	—	25 36 70 70	16 36 50	—	—	—
Protection Type									
Thermal Magnetic	✓	✓	✓	✓	✓	✓	—	—	—
Electronic	—	✓	—	✓	✓	✓	✓	✓	✓
Molded Case Switch	✓	✓	✓	✓	✓	✓	✓	✓	✓
Internal Accessories									
Auxiliary Contact	✓	✓	✓	✓	✓	✓	✓	✓	✓
Alarm Contact	✓	✓	✓	✓	✓	✓	✓	✓	✓
AX/AL Combo	✓	✓	✓	✓	✓	✓	✓	✓	✓
Trip Unit Contact	—	✓	—	✓	—	—	✓	✓	✓
Shunt Trip	✓	✓	✓	✓	✓	✓	✓	✓	✓
Shunt Close	—	—	—	—	—	—	✓	✓	✓
UV Relay	✓	✓	✓	✓	✓	✓	✓	✓	✓
Field Installable	✓	✓	✓	✓	✓	✓	✓	✓	✓
External Accessories									
End Cap	STD	STD	STD	STD	STD	STD	STD	STD	—
25 mm Phase Barriers	STD	STD	STD	STD	STD	—	—	—	—
Insulators	STD	STD	STD	STD	STD	STD	—	—	—
Terminal Lugs	✓	✓	✓	✓	✓	✓	✓	✓	✓
Extended Terminal	✓	✓	✓	✓	✓	✓	✓	✓	—
Spreader Terminal	✓	✓	✓	✓	✓	✓	✓	✓	✓
Rear Terminal	—	—	—	—	—	—	✓	✓	✓
Phase barriers	✓	✓	✓	✓	✓	✓	✓	✓	✓
Terminal Cover	✓	✓	✓	✓	✓	✓	✓	✓	—
Direct Rotary	✓	✓	✓	✓	✓	✓	✓	—	—
Variable Depth (Door)	✓	✓	✓	✓	✓	✓	✓	—	—
Internal NFPA 79	✓	✓	✓	✓	✓	✓	✓	—	—
Flange Operator	✓	✓	✓	✓	✓	✓	✓	—	—
Flange Cable	✓	✓	✓	✓	✓	✓	✓	—	—
Motor Operator	✓	✓	✓	✓	✓	✓	—	✓	✓
Field Installable	✓	✓	✓	✓	✓	✓	✓	✓	✓

Specifications

Bulletin 140G Molded Case Circuit Breaker Specifications

		G-Frame				H-Frame†					
Max. Rated Current	[A]	125		160★	125			160★			
Rated insulation voltage, U_i , IEC	[V]	800				1000					
NEMA, UL, CSA											
Interrupting Rating Code		G2	G3	G6	G2 G3 G6	H2	H3	H6	H0	H15	H2 H3 H6 H0 H15
240V AC, 50/60Hz	[kA]	50	65	100	50 65 100	65	100	150	200	200	65 100 150 200 200
480V AC, 50/60Hz	[kA]	25	35	65	25 35 65	25	35	65	100	150	25 35 65 100 150
600Y/347V AC, 50/60Hz	[kA]	10	14	25	10 14 25	—	—	—	—	—	—
600V AC, 50/60 Hz	[kA]	—	—	—	—	14	18	25	35	42	14 18 35 35 42
IEC 60947-2											
Rated ultimate short-circuit breaking capacity, I_{cu}											
220/230/240V AC, 50/60Hz	[kA]	65	85	100	65 85 100	65	85	100	150	200	65 85 100 150 200
380V AC, 50/60Hz	[kA]	36	50	70	36 60 70	36	50	70	120	150	26 50 70 120 150
415V AC, 50/60Hz	[kA]	36	50	70	36 50 70	36	50	70	120	150	36 50 70 120 150
440V AC, 50/60Hz	[kA]	36	50	65	36 50 65	36	50	65	100	150	36 50 65 100 150
500V AC, 50/60Hz	[kA]	30	36	50	36 50 65	30	36	50	60	70	30 36 50 60 70
525V AC, 50/60Hz	[kA]	22	35	35	22 35 35	20	25	30	36	50	20 25 30 36 50
690V AC, 50/60Hz	[kA]	6	8	10	6 8 10	10	12	15	18	20	10 12 15 18 20
250V DC, 2 Poles in Series	[kA]	36	50	70	36 50 70	36	50	70	85	100	36 50 70 85 100
500V DC, 2 Poles in Series	[kA]	—	—	—	—	—	—	—	—	—	—
500V DC, 3 Poles in Series	[kA]	36	50	70	36 50 70	36	50	70	85	100	36 50 70 85 100
750V DC, 3 Poles in Series	[kA]	—	—	—	—	—	—	—	—	—	—
Rated service short-circuit breaking capacity, I_{cs}											
220/230/240V AC, 50/60Hz	[kA]	75% (50)	75%	75%	75% 75% 75%	100%	100%	100%	100%	100%	100% 100% 100% 100% 100%
380V AC, 50/60Hz	[kA]	100%	100%	75%	100% 100% 75%	100%	100% 100%	100%	100%	100%	100% 100% 100% 100% 100%
415V AC, 50/60Hz	[kA]	100%	75%	50%	100% 75% 50%	100%	100%	100%	100%	100%	100% 100% 100% 100% 100%
440V AC, 50/60Hz	[kA]	50%	50%	50%	50% 50% 50%	100%	100%	100%	100%	100%	100% 100% 100% 100% 100%
500V AC, 50/60Hz	[kA]	50%	50%	50%	50% 50% 50%	100%	100%	100%	100%	100%	100% 100% 100% 100% 100%
525V AC, 50/60Hz	[kA]	50%	50%	50%	50% 50% 50%	100%	100%	100%	100%	100%	100% 100% 100% 100% 100%
690V AC, 50/60Hz	[kA]	75%	50%	50%	75 50 50%	100%	100%	100%	75%	75%	100% 100% 100% 75% 75%
250V DC, 2 Poles in Series	[kA]	100%	100%	75%	100% 100% 75%	100%	100%	100%	100%	100%	100% 100% 100% 100% 100%
500V DC, 2 Poles in Series	[kA]	—	—	—	—	—	—	—	—	—	—
500V DC, 3 Poles in Series	[kA]	100%	100%	75%	100% 100% 75%	100%	100%	100%	100%	100%	100% 100% 100% 100% 100%
750V DC, 3 Poles in Series	[kA]	—	—	—	—	—	—	—	—	—	—
Mechanical Life	[No. Ops]	25 000				25 000					
	[Ops/hr]	240				240					
Electrical Life @ 415V AC	[No. Ops]	8000				8000					
	[Ops/hr]	120				120					
Ambient Temp. w/out derating	°F [°C]	104 °F [40 °C]				104 °F [40 °C]					
Storage Temperature	°F [°C]	-40...+176 °F [-40...+80 °C]				-40...+176 °F [-40...+80 °C]					
Dimensions	[mm]	3 poles: 76.2x70x130				3 poles: 90x82.5x130					
[Width/Depth/Height]	[mm]	4 poles: 101.6x70x130				4 poles: 120x82.5x130					

★ IEC version with a 160 A I_{cu} rating

† Cannot be reverse fed above 480V

		I-Frame			J-Frame‡		
Max. Rated Current	[A]	225			250		
Rated insulation voltage, U_i , IEC	[V]	800			1000		
NEMA, UL, CSA							
Interrupting Rating Code		I2	I3	J2	J3	J6	J0
240V AC, 50/60Hz	[kA]	50	65	65	100	150	200
480V AC, 50/60Hz	[kA]	25	35	25	35	65	100
600Y/347V AC, 50/60Hz	[kA]	10	10	—	—	—	—
600V AC, 50/60 Hz	[kA]	—	—	14	18	25	35
IEC 60947-2							
Rated ultimate short-circuit breaking capacity, I_{cu}							
220/230/240V AC, 50/60Hz	[kA]	50	85	65	85	100	150
380V AC, 50/60Hz	[kA]	36	50	36	50	70	120
415V AC, 50/60Hz	[kA]	36	50	36	50	70	120
440V AC, 50/60Hz	[kA]	25	40	36	50	65	100
500V AC, 50/60Hz	[kA]	20	30	30	36	50	60
525V AC, 50/60Hz	[kA]	13	20	20	25	45	50
690V AC, 50/60Hz	[kA]	5	6	10	12	15	20
250V DC, 2 Poles in Series	[kA]	36	50	36	50	70	85
500V DC, 2 Poles in Series	[kA]	—	—	36	50	70	85
500V DC, 3 Poles in Series	[kA]	36	50	36	50	70	85
750V DC, 3 Poles in Series	[kA]	—	—	—	—	—	—
Rated service short-circuit breaking capacity, I_{cs}							
220/230/240V AC, 50/60Hz	[kA]	75%	50%	100%	100%	100%	100%
380V AC, 50/60Hz	[kA]	75%	50% (27)	100%	100%	100%	100%
415V AC, 50/60Hz	[kA]	75%	50% (27)	100%	100%	100%	100%
440V AC, 50/60Hz	[kA]	75%	50%	100%	100%	100%	100%
500V AC, 50/60Hz	[kA]	75%	50%	100%	100%	100%	100%
525V AC, 50/60Hz	[kA]	75%	50%	100%	100%	100%	100%
690V AC, 50/60Hz	[kA]	50%	50%	100%	100%	100%	100%
250V DC, 2 Poles in Series	[kA]	100%	75%	100%	100%	100%	100%
500V DC, 2 Poles in Series	[kA]	—	—	100%	100%	100%	100%
500V DC, 3 Poles in Series	[kA]	100%	75%	100%	100%	100%	100%
750V DC, 3 Poles in Series	[kA]	—	—	—	—	—	—
Mechanical Life	[No. Ops]	25 000			25 000		
	[Ops/hr]	240			240		
Electrical Life @ 415V AC	[No. Ops]	8000			8000		
	[Ops/hr]	120			120		
Ambient Temp. w/out derating	°F [°C]	104 °F [40 °C]			104 °F [40 °C]		
Storage Temperature	°F [°C]	-40...+176 °F [-40...+80 °C]			-40...+176 °F [-40...+80 °C]		
Dimensions	[mm]	3 poles: 105x70x150			3 poles: 105x82.5x160		
[Width/Depth/Height]	[mm]	4 poles: 140x70x150			4 poles: 140x82.5x160		

‡ Cannot be reverse fed above 600V

Specifications

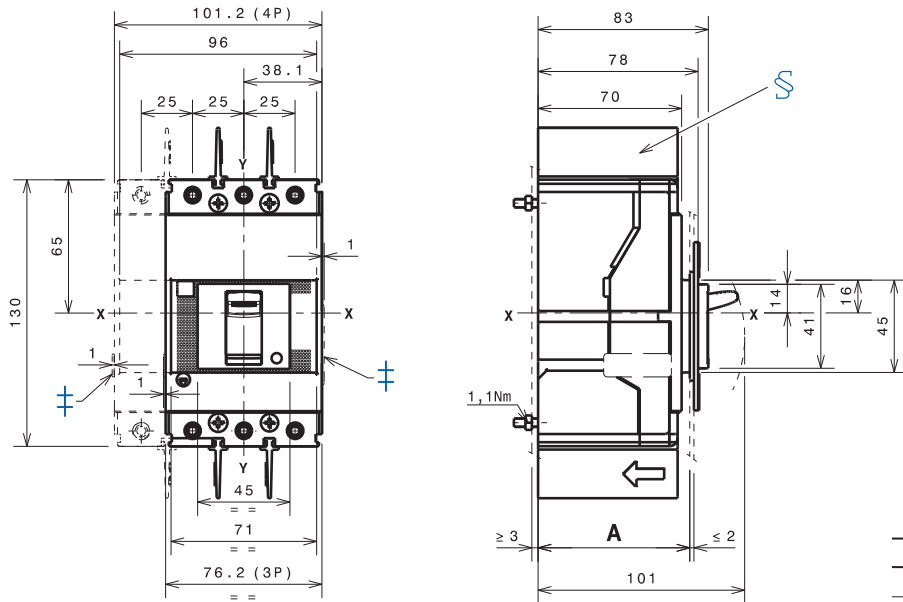
Bulletin 140G Molded Case Circuit Breaker Specifications

		K-Frame				M-Frame			
Max. Rated Current	[A]	400				800			
Rated insulation voltage, U_i , IEC	[V]	1000				1000			
NEMA, UL, CSA									
Interrupting Rating Code		K3	K6	K0	K15	K5	K6	K0	
240V AC, 50/60Hz	[kA]	100	150	200	200	100	200	200	
480V AC, 50/60Hz	[kA]	35	65	100	150	50	65	100	
600Y/347V AC, 50/60Hz	[kA]	—	—	—	—	—	—	—	
600V AC, 50/60 Hz	[kA]	25	35	65	100	25	35	42	
IEC 60947-2									
Rated ultimate short-circuit breaking capacity, I_{cu}									
220/230/240V AC, 50/60Hz	[kA]	85	100	200	200	85	100	200	
380V AC, 50/60Hz	[kA]	50	70	120	200	50	70	100	
415V AC, 50/60Hz	[kA]	50	70	120	200	50	70	100	
440V AC, 50/60Hz	[kA]	40	65	100	180	45	50	80	
500V AC, 50/60Hz	[kA]	30	50	85	150	35	50	65	
525V AC, 50/60Hz	[kA]	—	—	—	—	—	—	—	
690V AC, 50/60Hz	[kA]	25	40	70	80	22	25	30	
250V DC, 2 Poles in Series	[kA]	—	—	—	—	—	—	—	
500V DC, 2 Poles in Series	[kA]	36	50	70	100	—	—	—	
500V DC, 3 Poles in Series	[kA]	—	—	—	—	—	—	—	
750V DC, 3 Poles in Series	[kA]	25	36	70	70	20	36	50	
Rated service short-circuit breaking capacity, I_{cs}									
220/230/240V AC, 50/60Hz	[kA]	100%	100%	100%	100%	100%	100%	75%	
380V AC, 50/60Hz	[kA]	100%	100%	100%	100%	100%	100%	75%	
415V AC, 50/60Hz	[kA]	100%	100%	100%	100%	100%	100%	75%	
440V AC, 50/60Hz	[kA]	100%	100%	100%	100%	100%	100%	75%	
500V AC, 50/60Hz	[kA]	100%	100%	100%	100%	100%	100%	75%	
525V AC, 50/60Hz	[kA]	—	—	—	—	—	—	—	
690V AC, 50/60Hz	[kA]	100%	100%	100%	100%	75%	75%	75%	
250V DC, 2 Poles in Series	[kA]	—	—	—	—	—	—	—	
500V DC, 2 Poles in Series	[kA]	100%	100%	100%	100%	—	—	—	
500V DC, 3 Poles in Series	[kA]	—	—	—	—	—	—	—	
750V DC, 3 Poles in Series	[kA]	100%	100%	100%	100%	75%	75%	75%	
Mechanical Life	[No. Ops]	20000				20000			
	[Ops/hr]	120				120			
Electrical Life @ 415V AC	[No. Ops]	7000 (400 A) - 5000 (630 A)				7000 (630 A) - 5000 (800 A) - 4000 (1000 A)			
	[Ops/hr]	60				60			
Ambient Temp. w/out derating	°F [°C]	104 °F [40 °C]				104 °F [40 °C]			
Storage Temperature	°F [°C]	-40...+176 °F [-40...+80 °C]				-40...+176 °F [-40...+80 °C]			
Dimensions [Width/Depth/Height]	[mm]	3 poles: 140x108.5x205				3 poles: 210x103.5x268			
	[mm]	4 poles: 185x103.5x205				4 poles: 280x103.5x268			

		N-, NS-Frame			R-Frame
Max. Rated Current	[A]	1200			2000/2500/3000
Rated insulation voltage, U_i , IEC	[V]	1000			1000
NEMA, UL, CSA					
Interrupting Rating Code		N5	N6	N0	R12
240V AC, 50/60Hz	[kA]	65	100	150	125
480V AC, 50/60Hz	[kA]	50	65	100	125
600Y/347V AC, 50/60Hz	[kA]	—	—	—	—
600V AC, 50/60 Hz	[kA]	25	50	65	100
IEC 60947-2					
Rated ultimate short-circuit breaking capacity, I_{cu}					
220/230/240V AC, 50/60Hz	[kA]	85	100	200	130
380V AC, 50/60Hz	[kA]	50	70	120	80
415V AC, 50/60Hz	[kA]	50	70	120	80
440V AC, 50/60Hz	[kA]	50	65	100	80
500V AC, 50/60Hz	[kA]	40	50	85	40
525V AC, 50/60Hz	[kA]	—	—	—	—
690V AC, 50/60Hz	[kA]	30	42	50	40
250V DC, 2 Poles in Series	[kA]	—	—	—	—
500V DC, 2 Poles in Series	[kA]	—	—	—	—
500V DC, 3 Poles in Series	[kA]	—	—	—	—
750V DC, 3 Poles in Series	[kA]	—	—	—	—
Rated service short-circuit breaking capacity, I_{cs}					
220/230/240V AC, 50/60Hz	[kA]	100%	100%	100%	100%
380V AC, 50/60Hz	[kA]	100%	100%	100%	—
415V AC, 50/60Hz	[kA]	100%	100%	100%	100%
440V AC, 50/60Hz	[kA]	100%	100%	100%	100%
500V AC, 50/60Hz	[kA]	100%	100%	75%	100%
525V AC, 50/60Hz	[kA]	—	—	—	—
690V AC, 50/60Hz	[kA]	100%	75%	75%	100%
250V DC, 2 Poles in Series	[kA]	—	—	—	—
500V DC, 2 Poles in Series	[kA]	—	—	—	—
500V DC, 3 Poles in Series	[kA]	—	—	—	—
750V DC, 3 Poles in Series	[kA]	—	—	—	—
Mechanical Life	[No. Ops]	10000			15000
	[Ops/hr]	60			60
Electrical Life @ 415V AC	[No. Ops]	2000			4500 (2000 A) - 4000 (2500 A) - 3000 (3200 A)
	[Ops/hr]	60			60
Ambient Temp. w/out derating	°F [°C]	104 °F [40 °C]			104 °F [40 °C]
Storage Temperature	°F [°C]	-40...+176 °F [-40...+80 °C]			-40...+176 °F [-40...+80 °C]
Dimensions	[mm]	3 poles: 210x154(N)/178(NS)x268			3 poles: 427x282x382
[Width/Depth/Height]	[mm]	4 poles: 280x154(N)/178(NS)x268			4 poles: 553x282x382

Dimensions are in millimeters (inches). Dimensions are not intended to be used for manufacturing purposes.

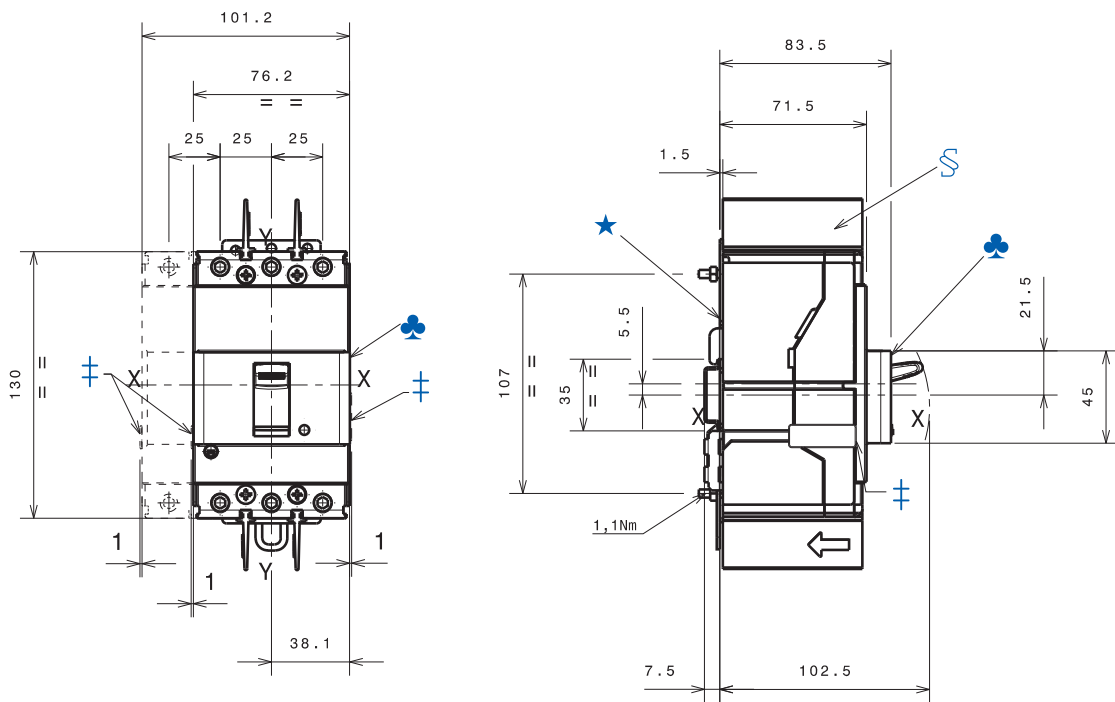
Panel Mounted Molded Case Circuit Breaker



Description	No. of Poles	A
With flange	3...4	74
Without flange	3...4	71
	3...4	79

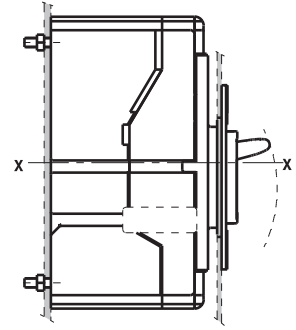
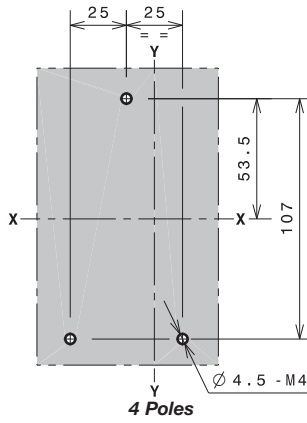
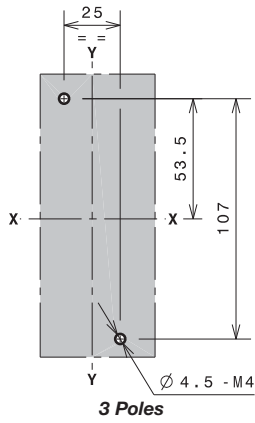
- ‡ Overall dimensions of optional wiring ducts
- § Required 25 mm insulating phase barriers provided

DIN Rail Mounted Molded Case Circuit Breaker

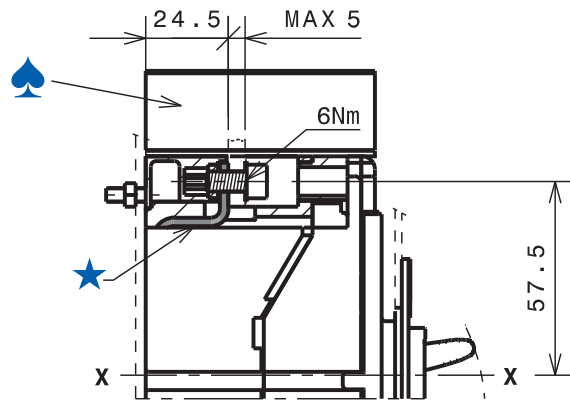
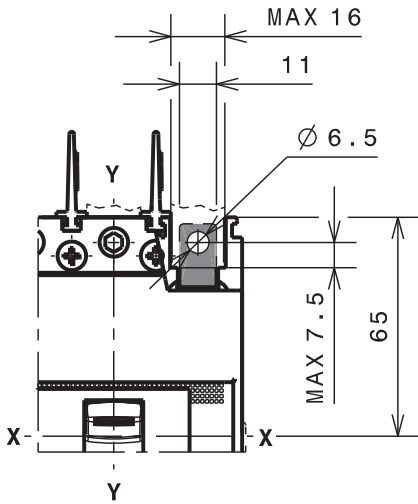


- ★ Mounting bracket
- ‡ Overall dimensions of optional wiring ducts
- § Required 25 mm insulating phase barriers provided
- ♣ Optional front cover for DIN Rail

Drilling Template for Molded Case Circuit Breaker Mounting

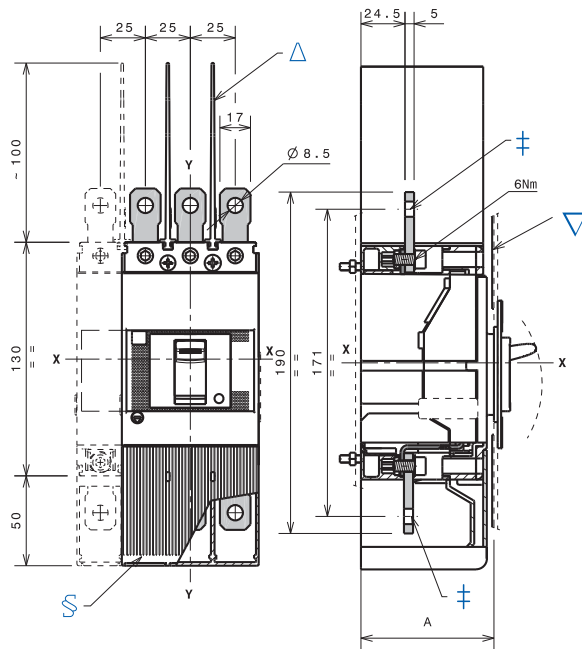


Cat. Nos. 140G-G-ECM, -ECM4 Terminals



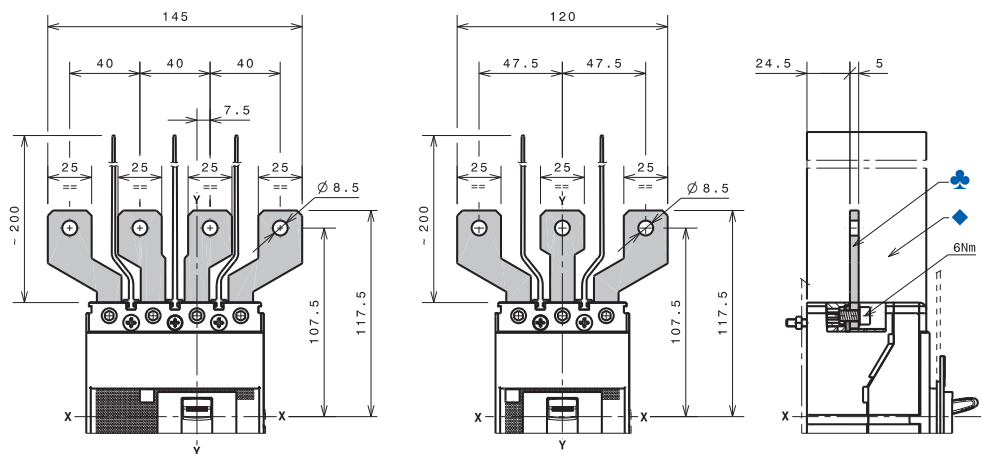
- ★ Mounting bracket
- ♣ Required 25 mm insulating phase barriers provided

Cat. Nos. 140G-G-EXT3, -EXT4 Extended Terminals



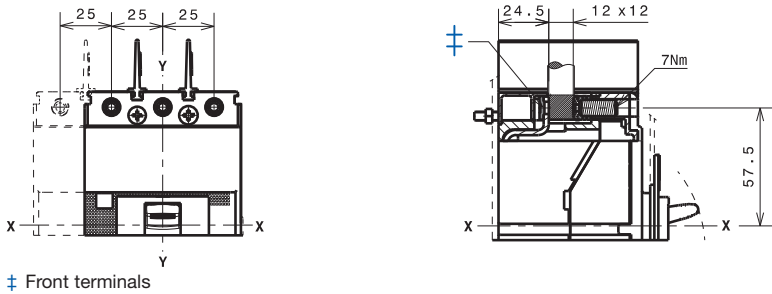
- ⊕ Extended terminals
- ⊞ Optional Terminal covers with IP40 protection provided
- △ Required 100 mm insulating phase barriers provided
- ▽ Internal insulating plate required with phase barriers (customer provided) when mounted through the enclosure door

Cat. Nos. 140G-G-EXS3, -EXS4 Spreader Terminals



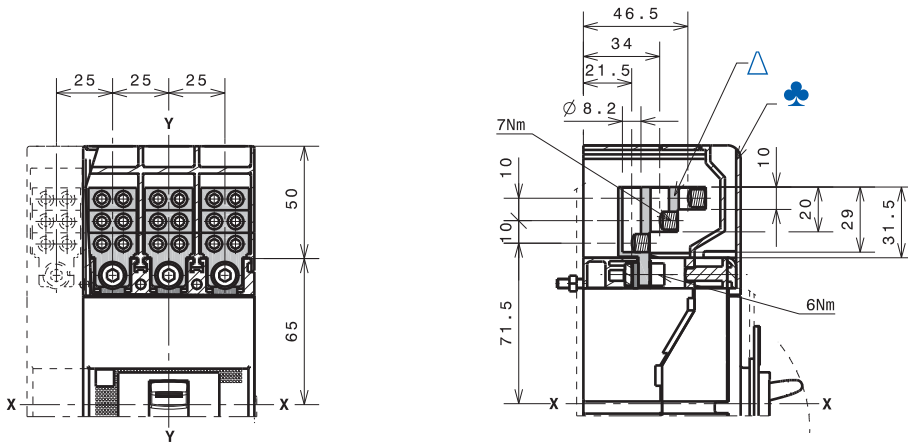
- ⊕ Extended spread terminals for busbar connection
- ◆ Required 200 mm insulating phase barriers provided

Cat. Nos. 140G-G-TLC13, 140G-G-TLC14 Terminals (Copper Only Lug)



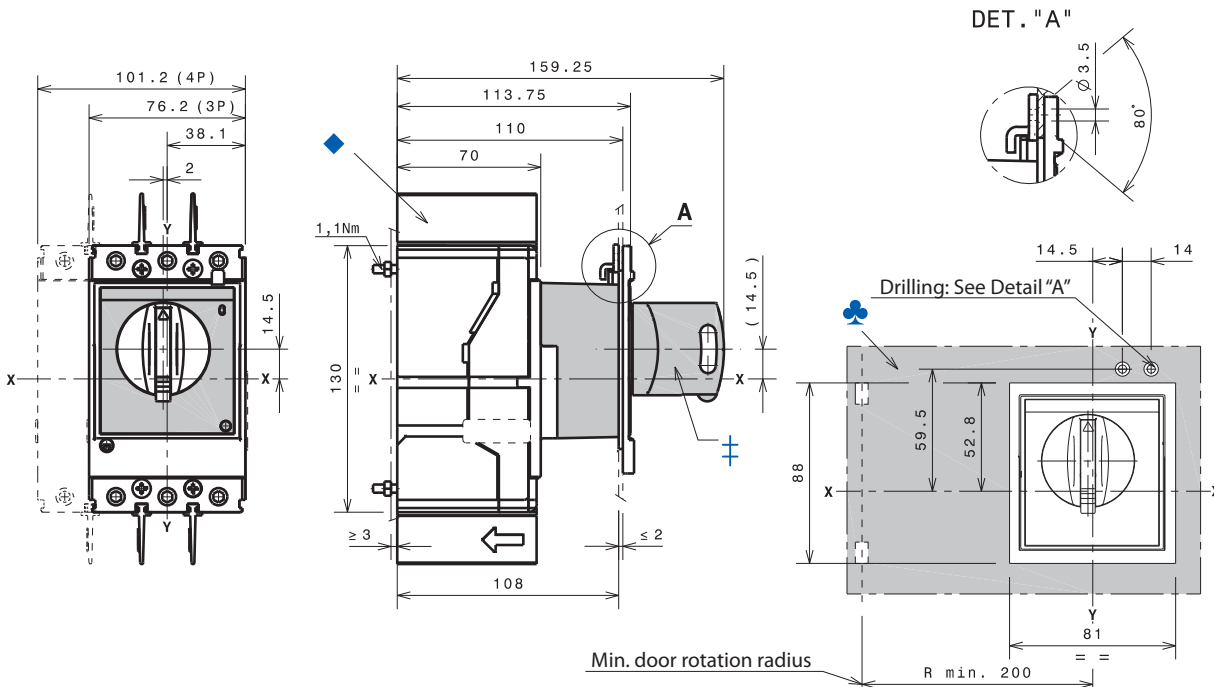
‡ Front terminals

Cat. No. 140G-G-MTL63, -MTL64 Terminal (Multi-Cable Terminal Lug)



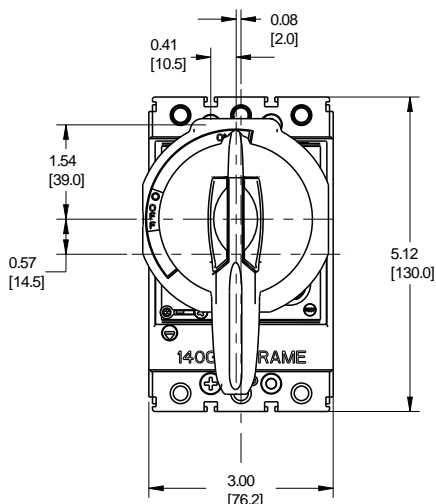
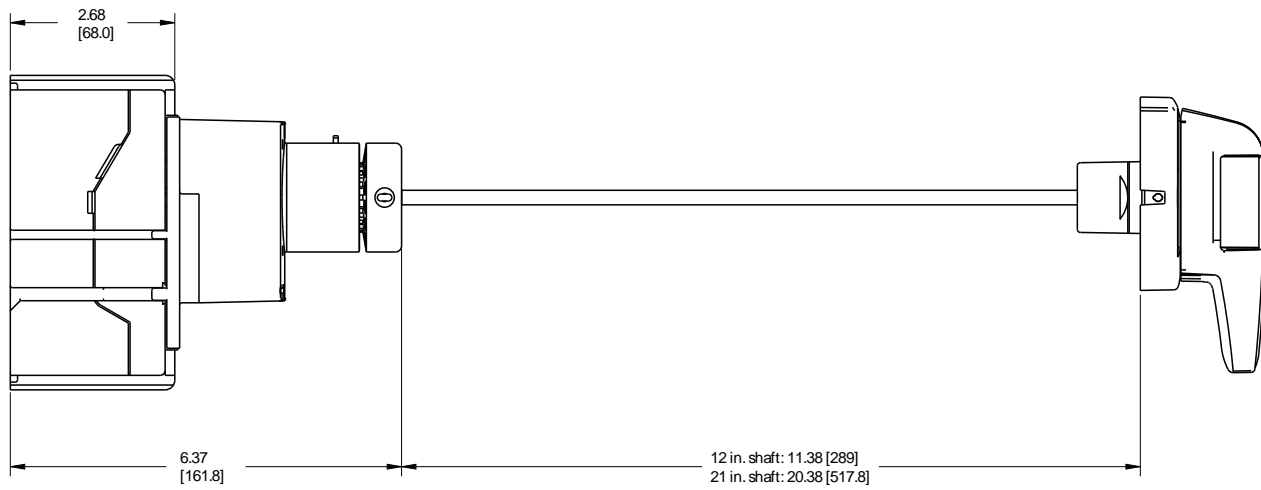
♣ Required terminal covers with IP40 protection provided
 ▲ Terminal lugs for multi-cable connection

Cat. No. 140G-G-RMB or 140G-G-RMY Direct Rotary Operating Handle

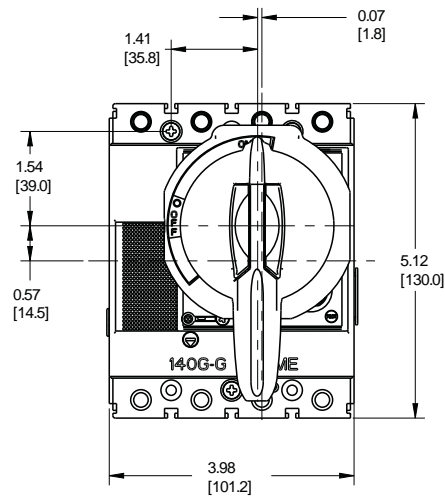


‡ Rotary handle operating mechanism on molded case circuit breaker
 ♣ Door drilling template with direct rotary handle
 ◆ Required 25 mm insulating phase barriers provided

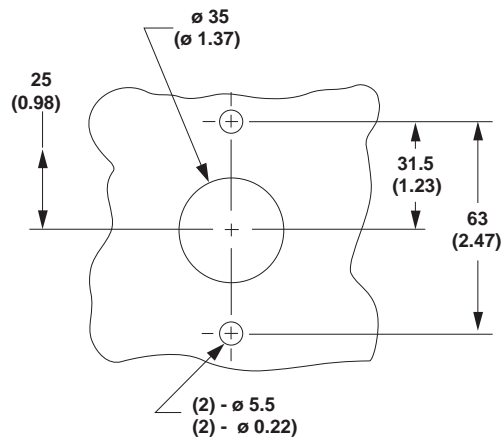
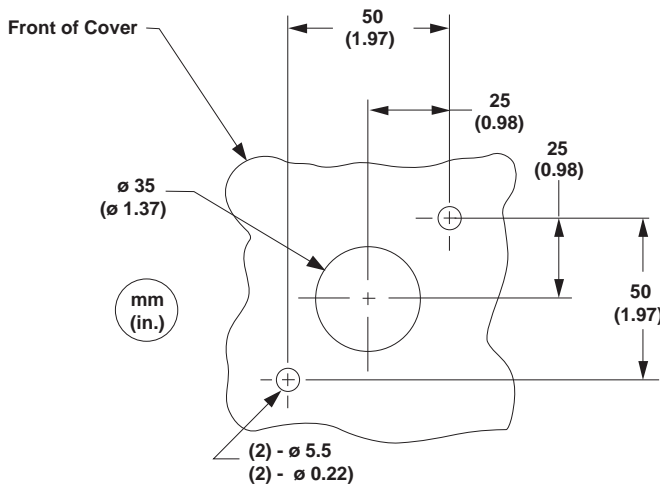
Cat. Nos. 140G-G-RVM...Variable Depth Rotary Mechanism with Door Mounted Handle



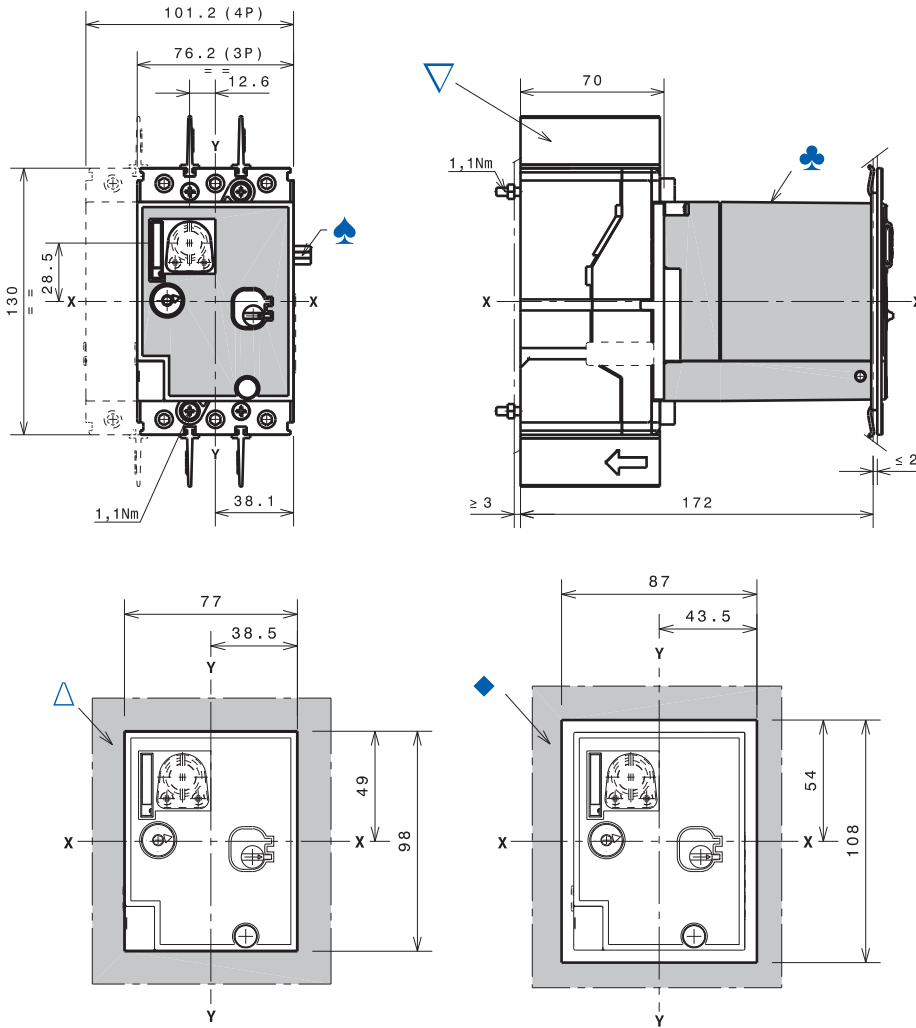
3-Pole



4-Pole

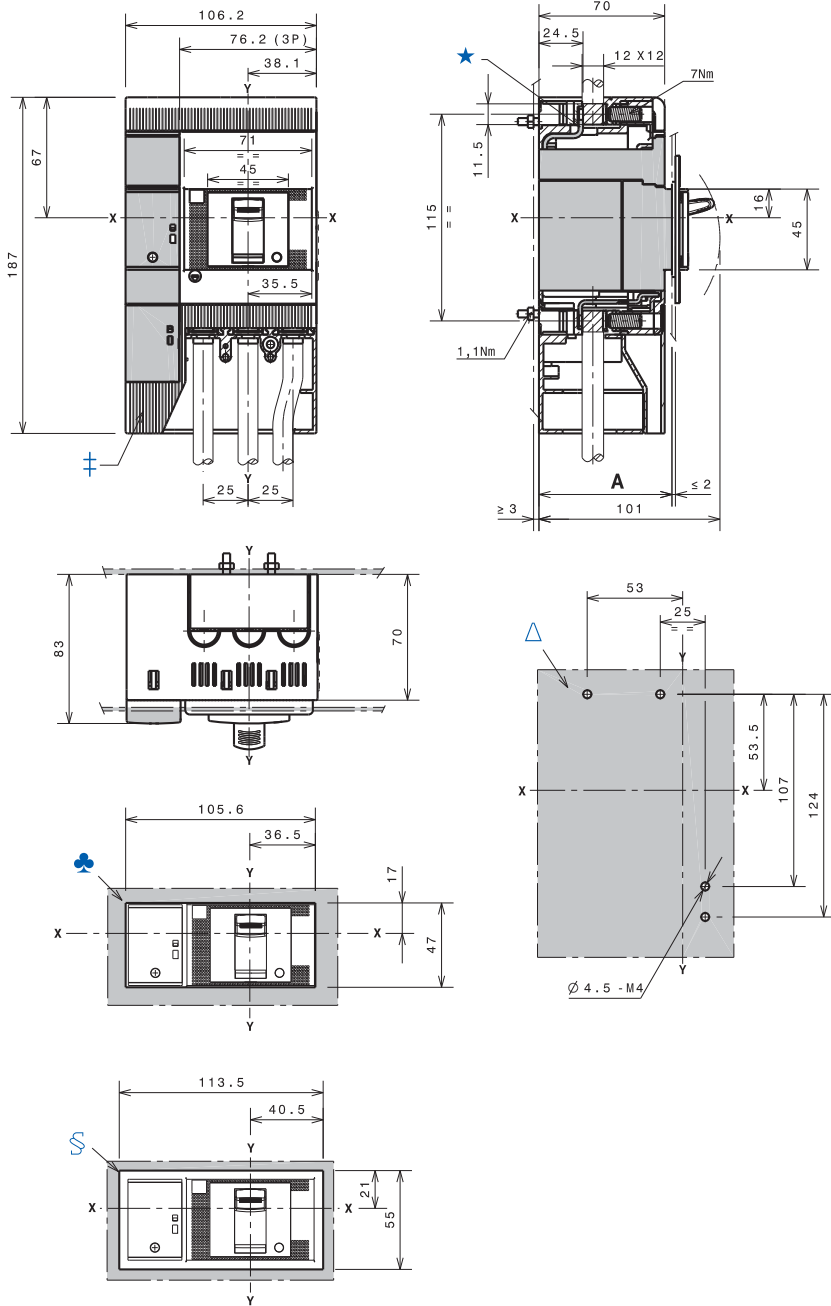


Cat. No. 140G-G-EOP... Motor Operator



- ♣ Motor operator
- △ Door drilling template (without flange)
- ◆ Door drilling template (with flange)
- ♣ Cable connection
- ▽ Required 25 mm insulating phase barriers provided

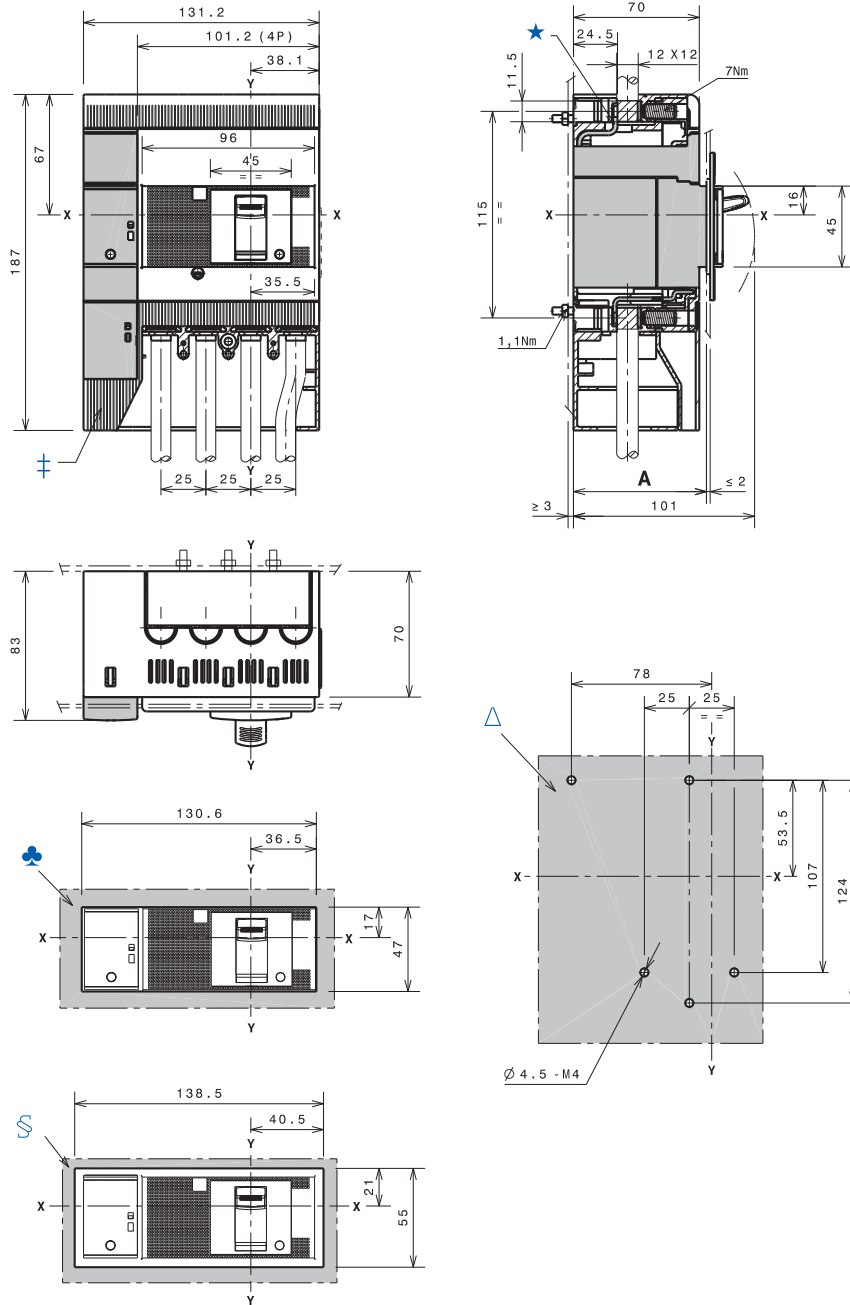
Cat. No. 140G-G-ELP1603 Residual Current Release Module for 3-Pole Molded Case Circuit Breakers



Description	No. of Poles	A
With flange	3	74
Without flange	3	71

- ★ Terminals for busbar connection
- ‡ IP40 terminal covers
- § Drilling template — door with direct rotary mechanism and flange
- ♣ Drilling template — door with direct rotary mechanism, without flange
- △ Drilling template — molded case circuit breaker mounting on mounting plate

Cat. No. 140G-G-ELP1604 Residual Current Release Module for 4-Pole Molded Case Circuit Breakers

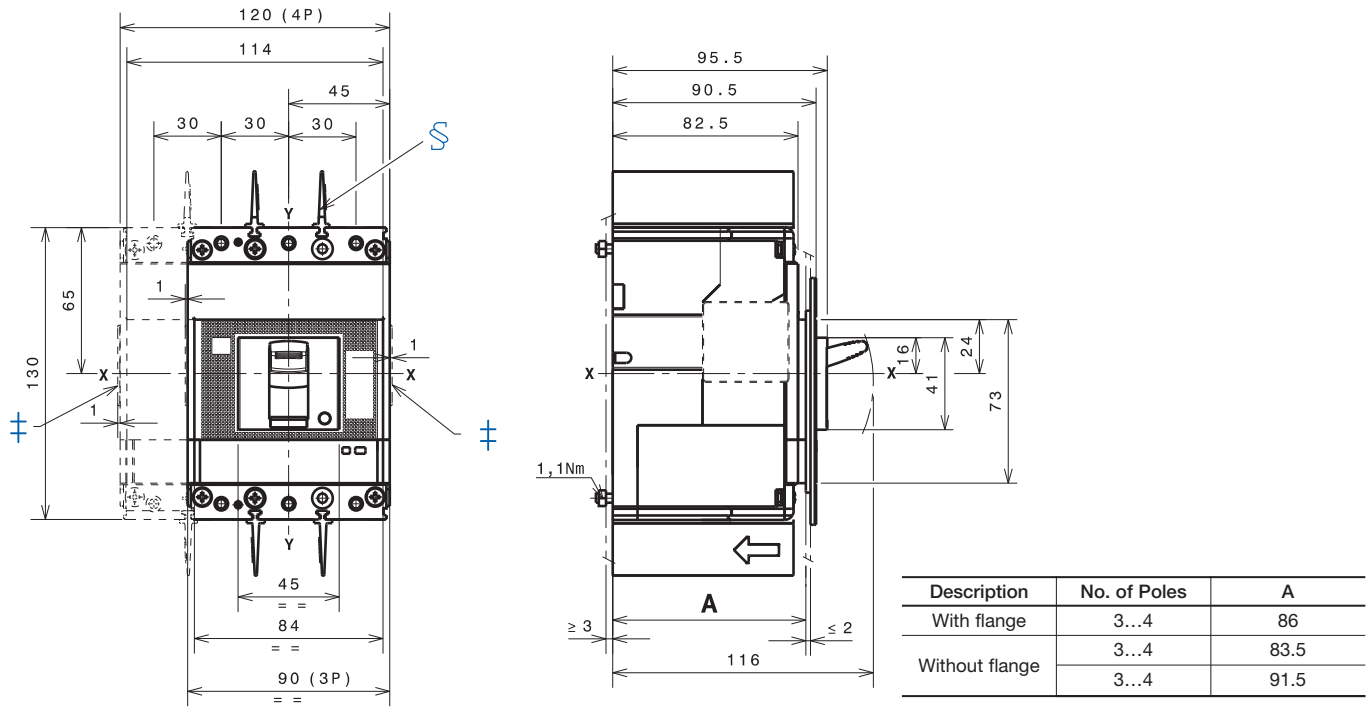


Description	No. of Poles	A
With flange	4	74
Without flange	4	71

- ★ Terminals for busbar connection
- ‡ IP40 terminal covers
- § Drilling template — door with direct rotary mechanism and flange
- ⌘ Drilling template — door with direct rotary mechanism, without flange
- △ Drilling template — molded case circuit breaker mounting on mounting plate

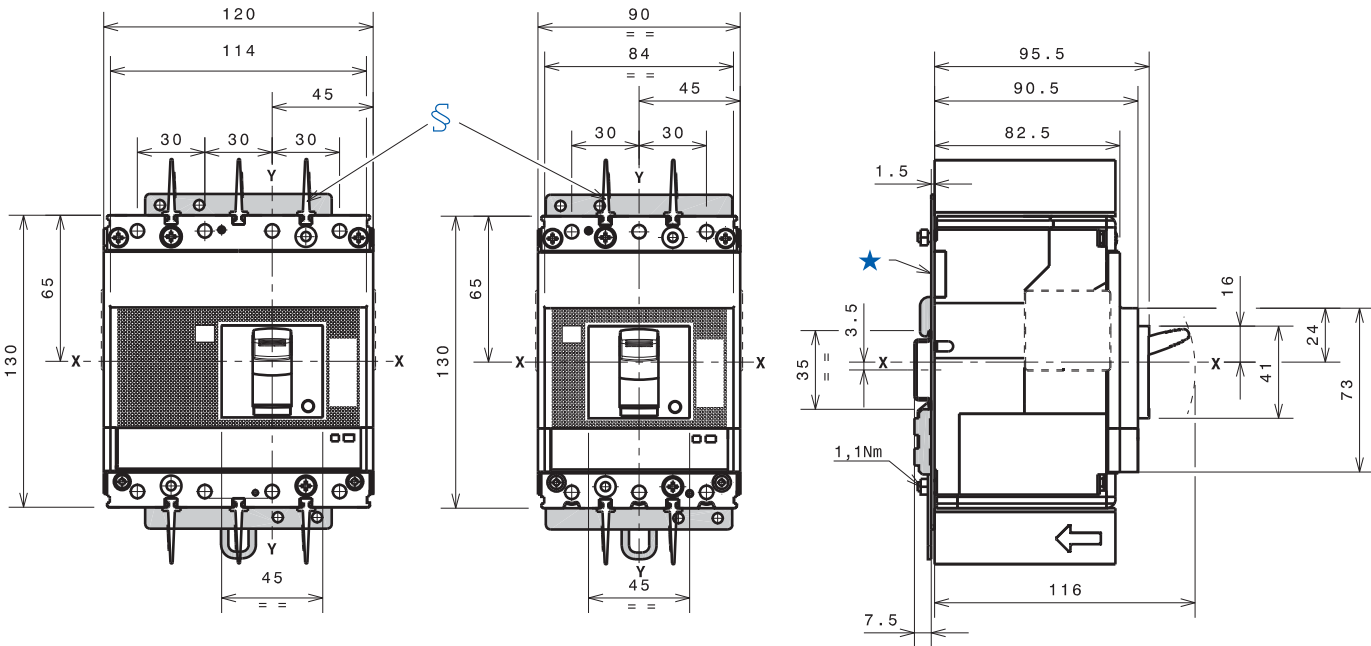
Dimensions are in millimeters (inches). Dimensions are not intended to be used for manufacturing purposes.

Panel Mounted Molded Case Circuit Breaker



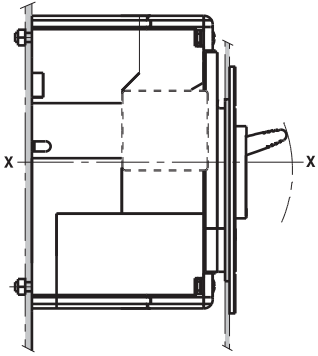
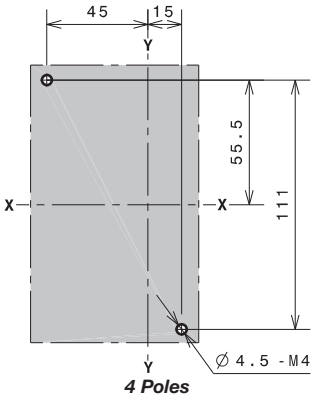
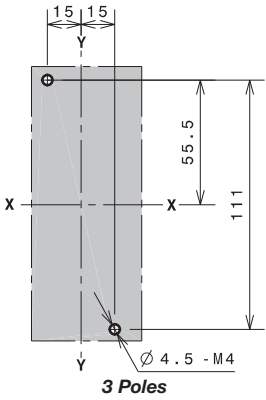
‡ Overall dimensions of optional wiring ducts
 § Required 25 mm insulating phase barriers provided

DIN Rail Mounted Molded Case Circuit Breaker

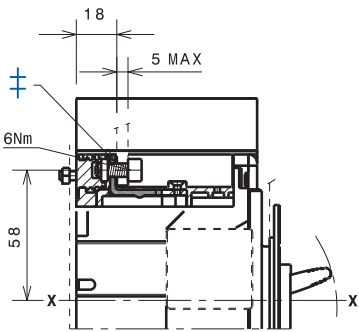
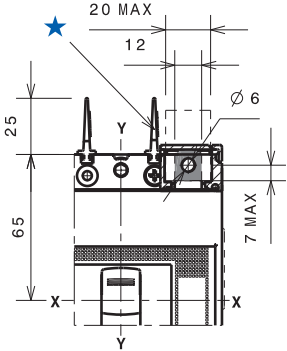


★ Mounting bracket
 § Required 25 mm insulating phase barriers provided

Drilling Template for Molded Case Circuit Breaker Mounting

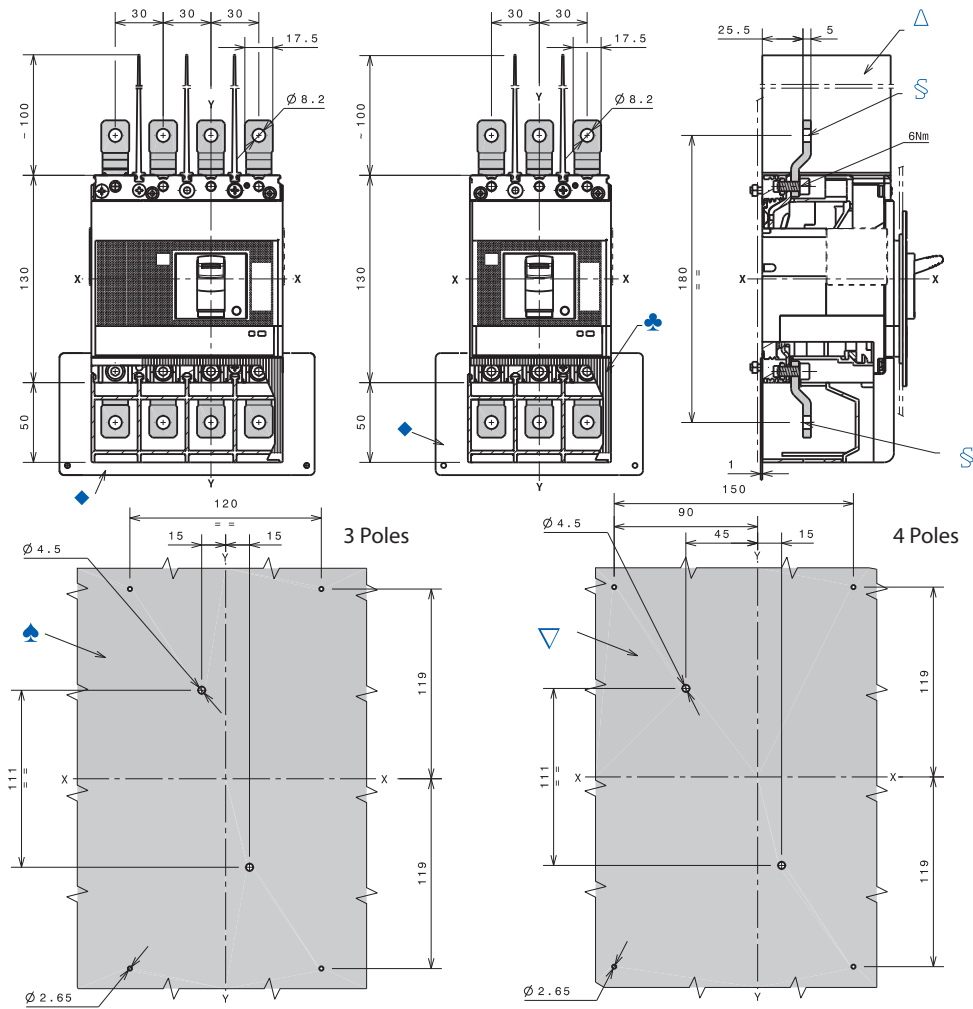


Cat. Nos. 140G-H-ECM, -ECM4 Terminals



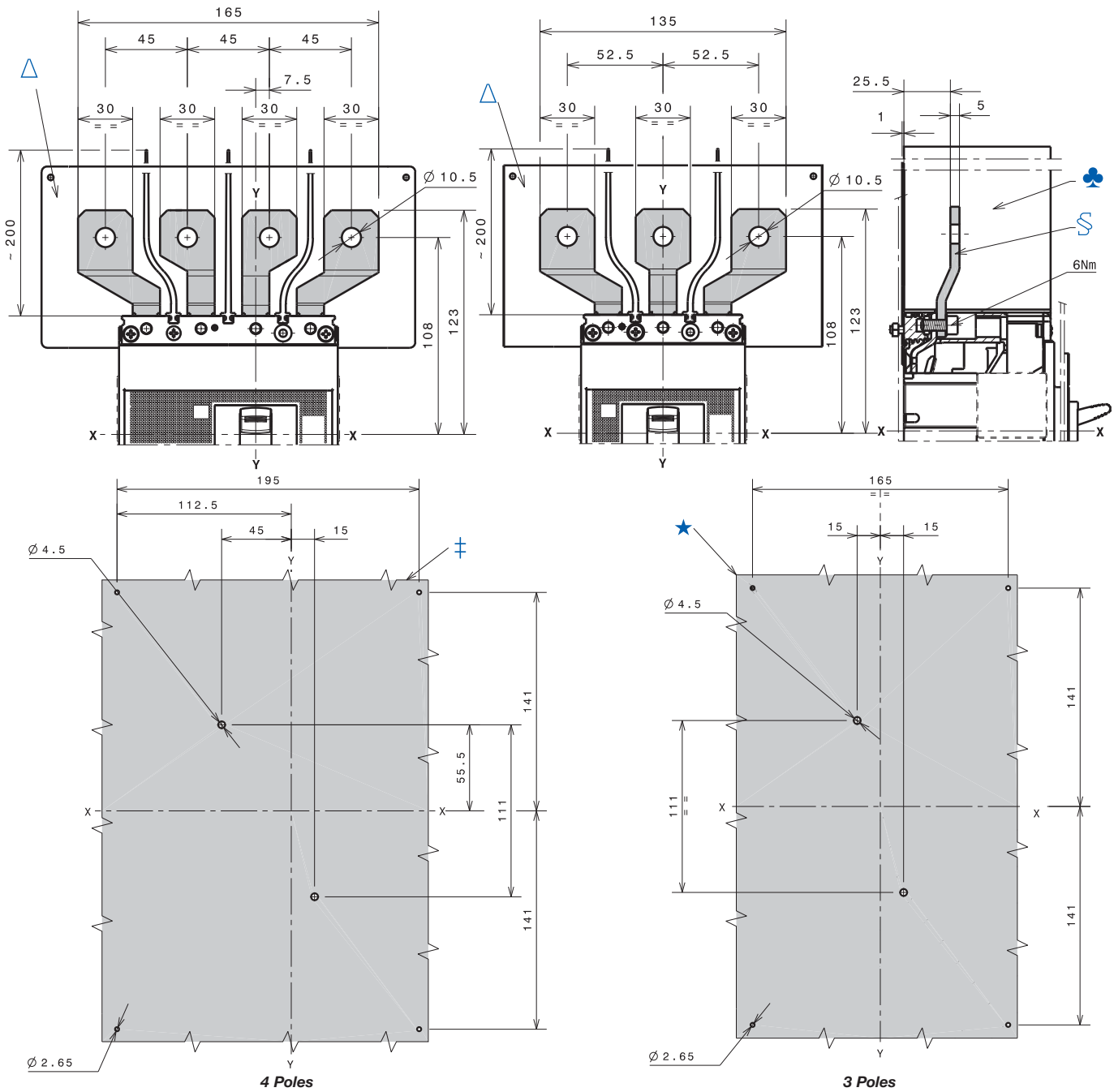
- ★ Required 25 mm insulating phase barriers provided
- ⊕ Front terminals for busbar connection

Cat. Nos. 140G-H-EXT3, -EXT4 Extended Terminals



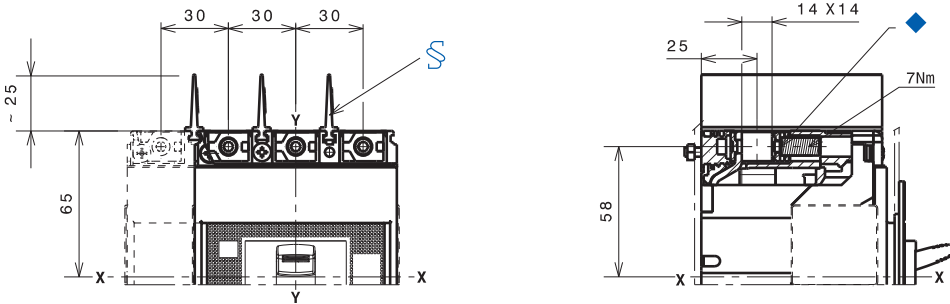
- § Extended terminals
- ◆ Optional terminal covers with IP40 protection provided
- △ Required 100 mm insulating phase barriers provided
- ◆ Required internal insulating plate provided for breakers with $U_g > 440V$
- ◆ Drilling template for 3-pole molded case circuit breaker, $U_g > 440V$ (required)
- ▽ Drilling template for 4-pole molded case circuit breaker, $U_g > 440V$ (required)

Cat. Nos. 140G-H-EXS3, -EXS4 Spreader Terminals



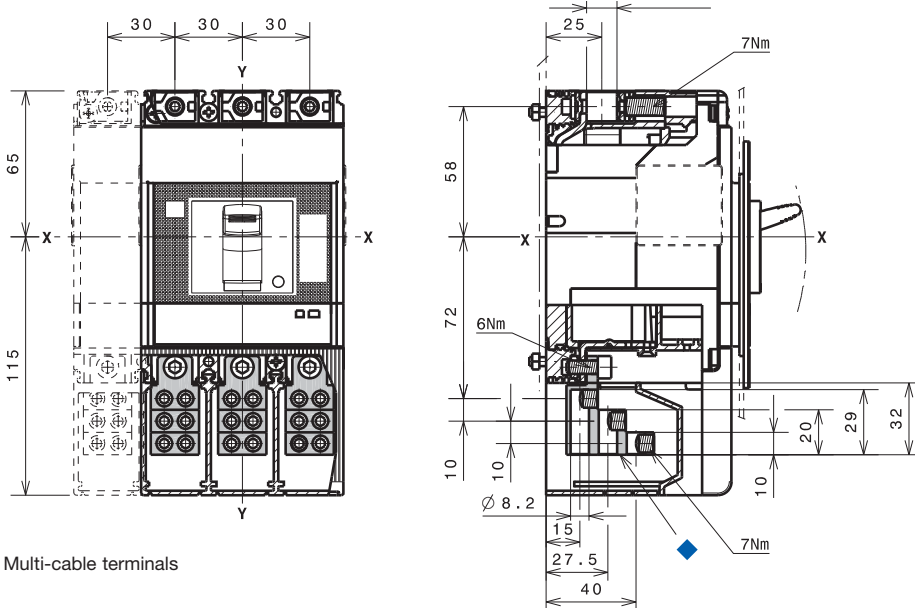
- ★ Drilling template for 3-pole molded case circuit breaker, $U_e > 440V$ (required)
- ‡ Drilling template for 4-pole molded case circuit breaker, $U_e > 440V$ (required)
- § Extended spread terminals
- ♣ Required 200 mm insulating phase barriers provided
- △ Required insulated plate provided for breakers, with $U_e > 440V$

Cat. Nos. 140G-H-TLC13, -TLC14 Terminals



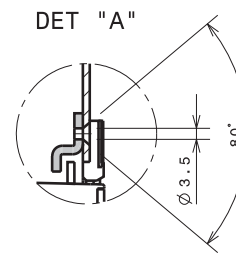
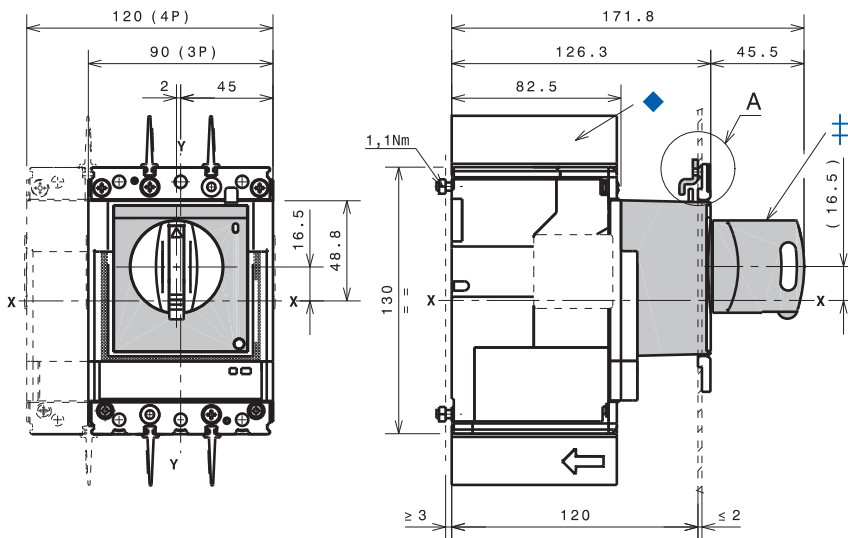
- § Required 25 mm insulating phase barriers provided
- ◆ Copper terminals.

Cat. Nos. 140G-H-MTL63, -MTL64 Terminals



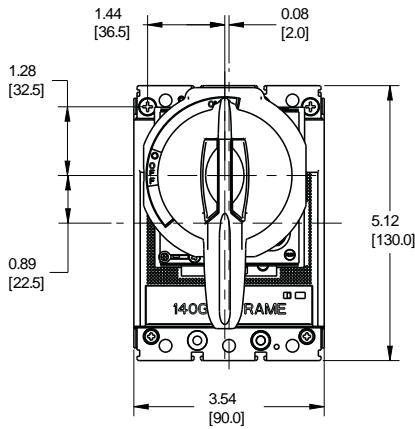
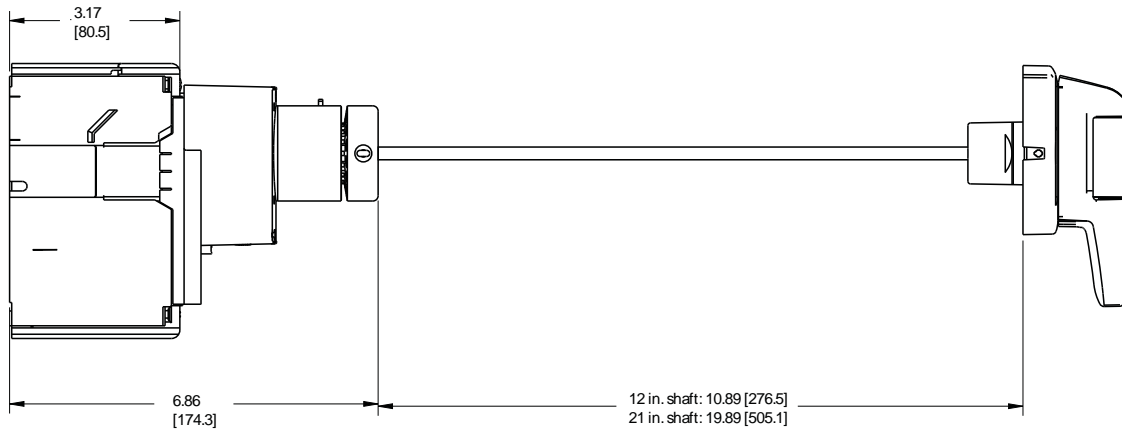
- ◆ Multi-cable terminals

Cat. No. 140G-H-RMB, -RMY Direct Rotary Operating Handle

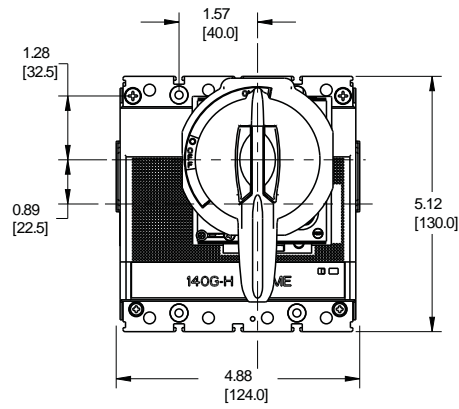


- ‡ Rotary handle operating mechanism on molded case circuit breaker
- ◆ Required 25 mm insulating phase barriers provided

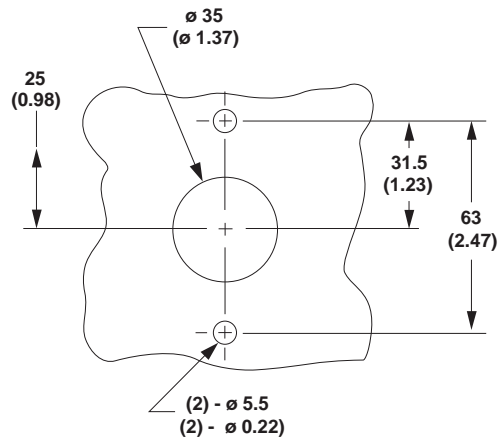
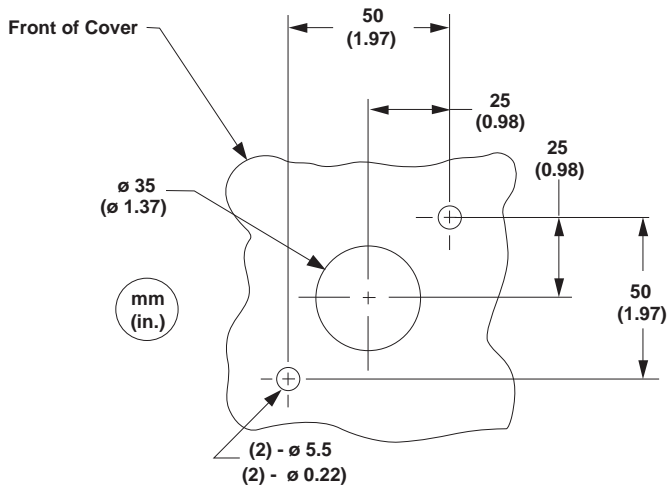
Cat. No. 140G-H-RVM... Rotary Handle Operating Mechanism — Door Mounted



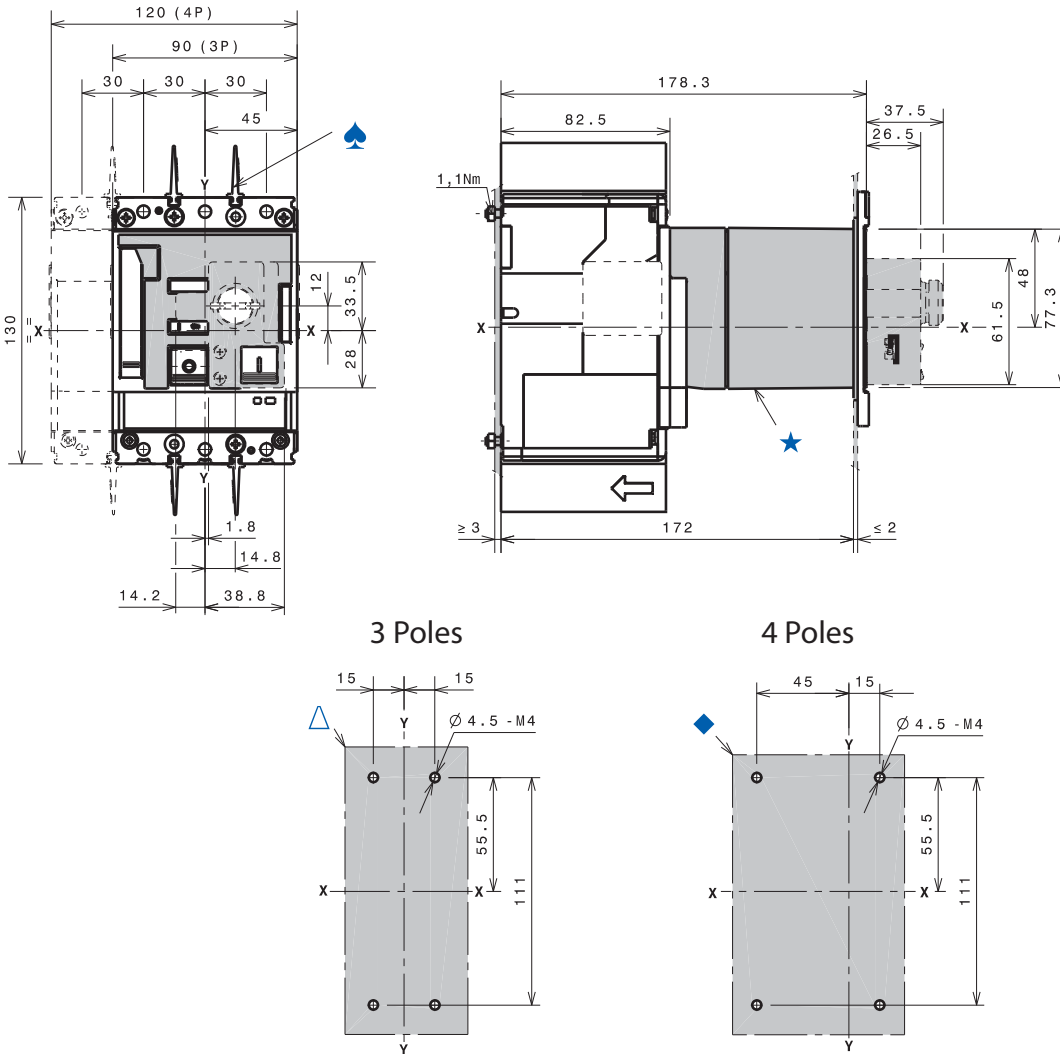
3-Pole



4-Pole

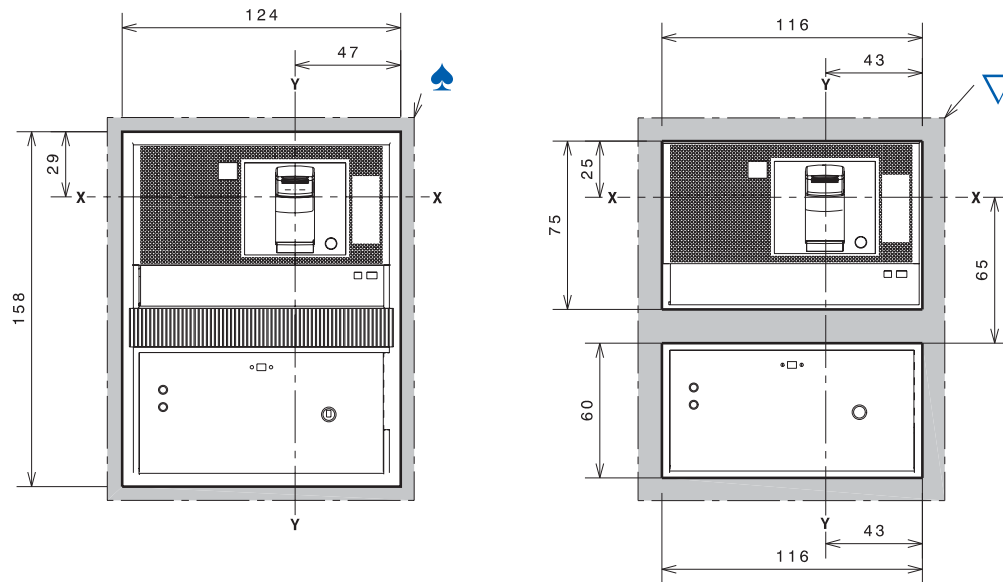
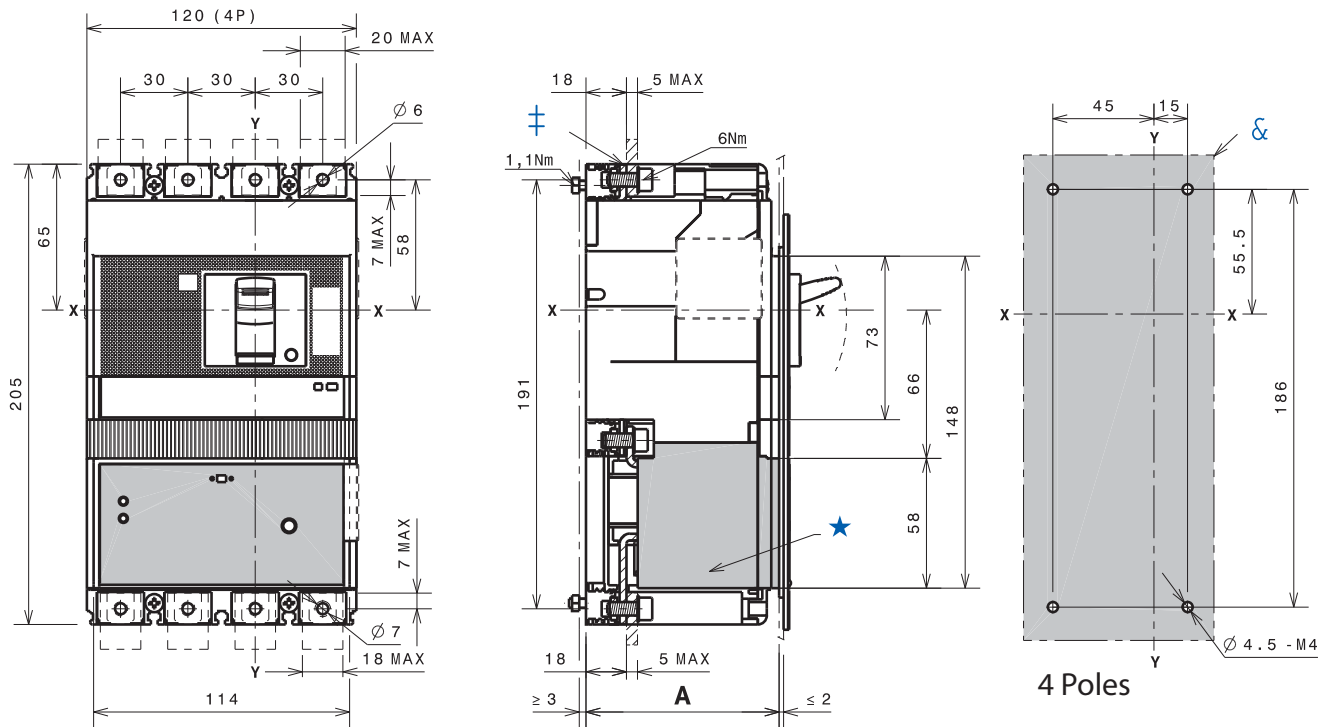


Cat. No. 140G-H-EOP... Motor Operator



- ★ Motor operator
- △ Drilling template for 3-pole molded case circuit breaker, mounted on mounting plate
- ◆ Drilling template for 4-pole molded case circuit breaker, mounted on mounting plate
- ▲ Required 25 mm insulating phase barriers provided

Cat. No. 140G-H-ELP1604 Residual Current Release Module

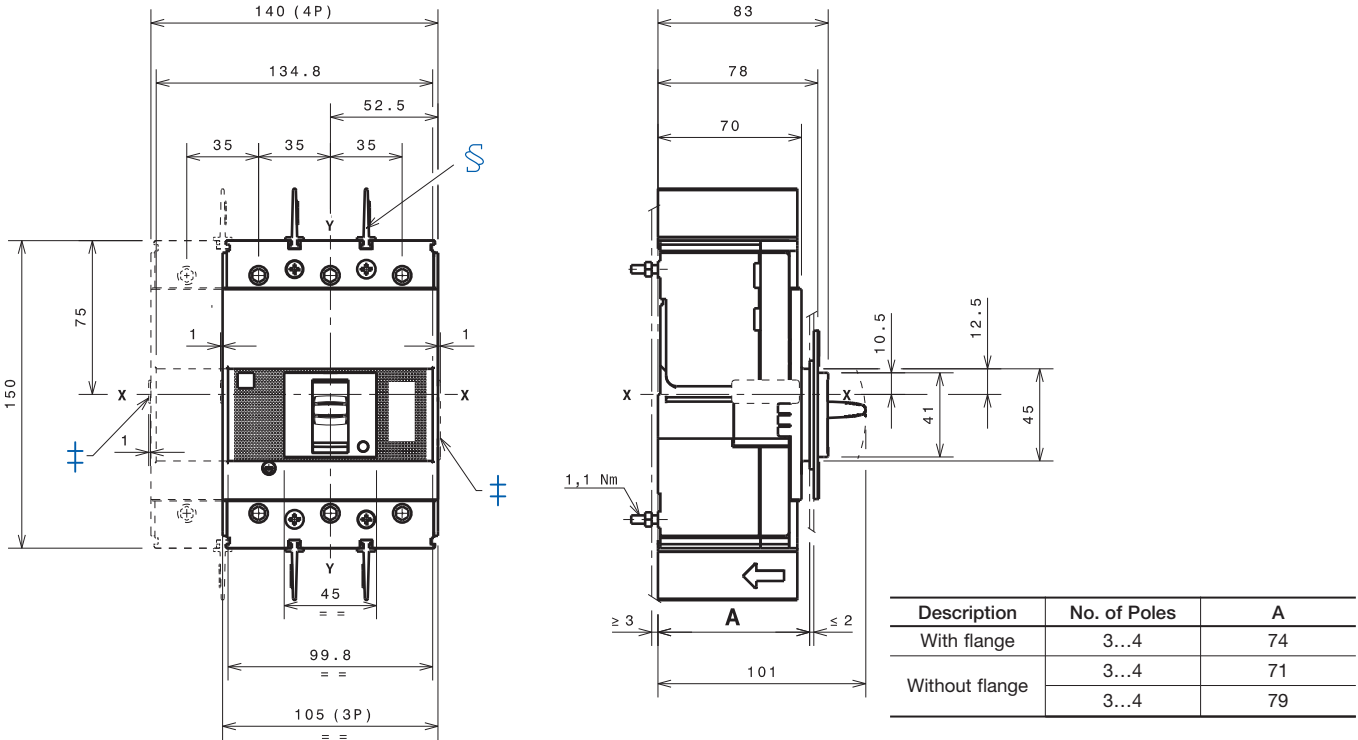


Description	No. of Poles	A
With flange	4	86
Without flange	4	83.5

- ★ Residual current module
- ‡ Front terminals
- ♣ Drilling template — door with direct rotary mechanism and flange
- ▽ Drilling template — door with direct rotary mechanism, without flange
- & Drilling template — molded case circuit breaker mounting on mounting plate

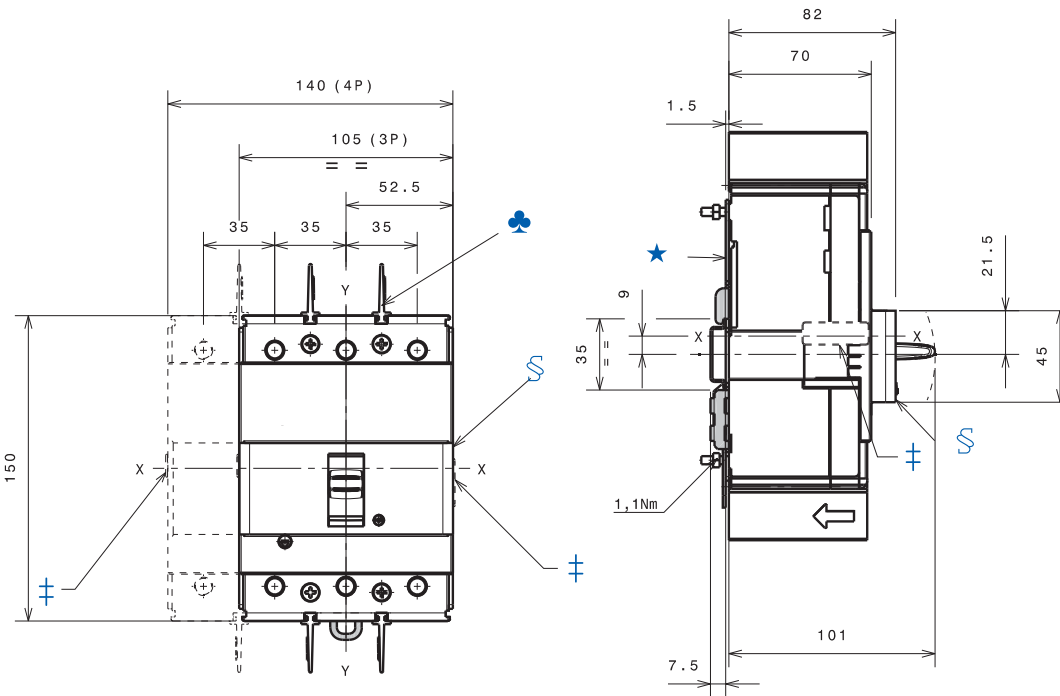
Dimensions are in millimeters (inches). Dimensions are not intended to be used for manufacturing purposes.

Panel Mounted Molded Case Circuit Breaker



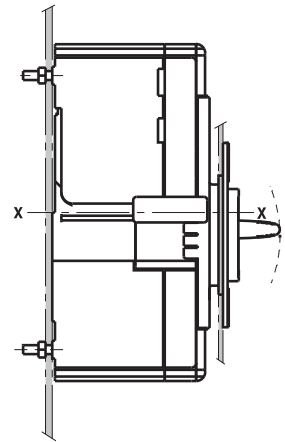
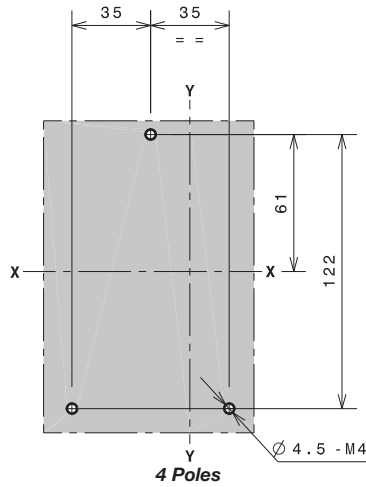
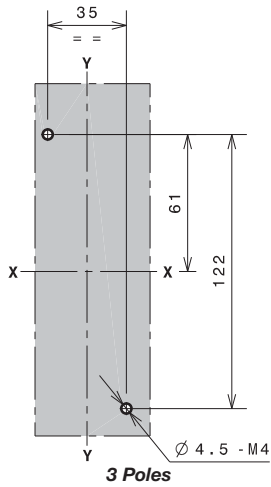
- ± Overall dimensions of optional wiring ducts
- § Required 25 mm insulating phases barriers provided

DIN Rail Mounted Molded Case Circuit Breaker

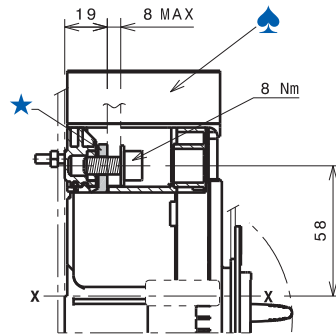
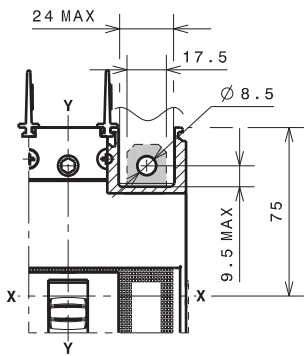


- ★ Mounting bracket
- ± Optional wiring ducts
- § Optional front cover for DIN Rail
- ♣ Required 25 mm insulating phase barriers provided

Drilling Template for Molded Case Circuit Breaker Mounting

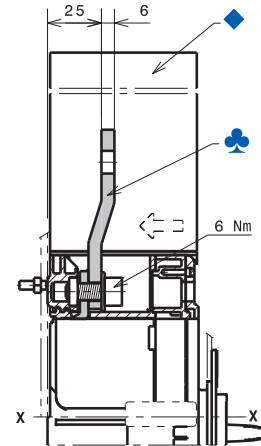
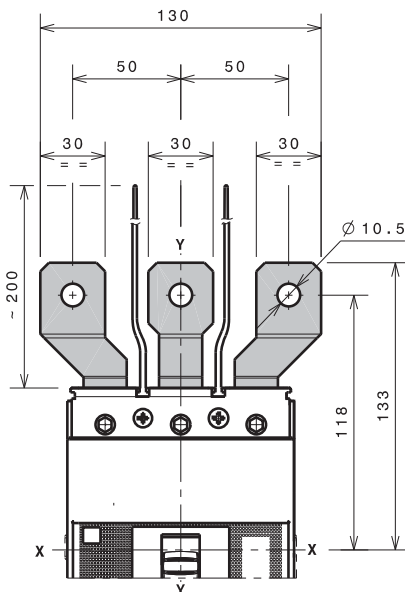
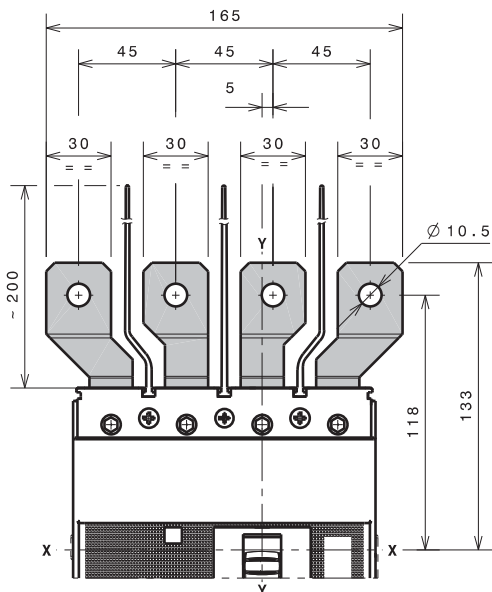


Cat. Nos. 140G-I-ECM, -ECM4 Terminals



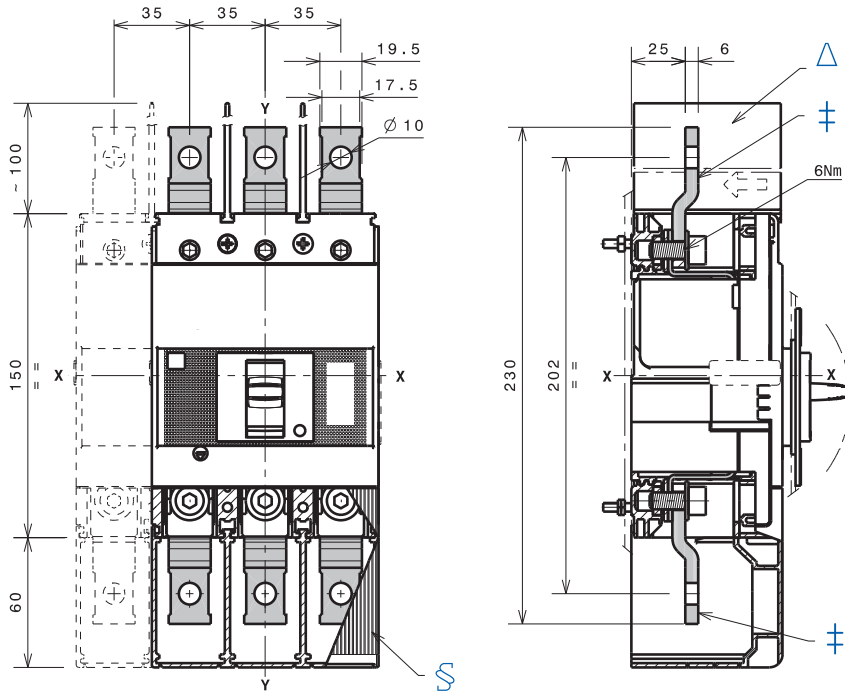
- ★ Front terminals for busbar connection
- ‡ Required 25 mm insulating phase barriers provided

Cat. Nos. 140G-J-EXS3, -EXS4 Terminals



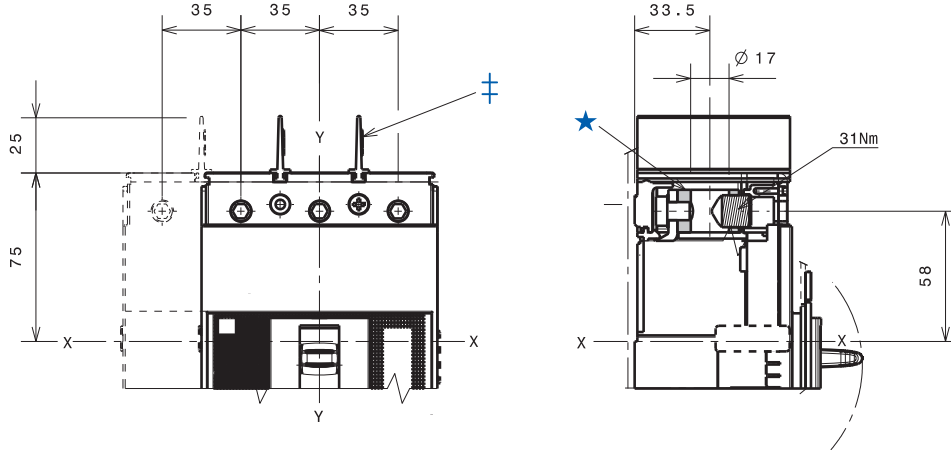
- ◆ Extended spread terminals
- ◆ Required 200 mm insulating phase barriers provided

Cat. Nos. 140G-I-EXT3, -EXT4 Extended Terminals



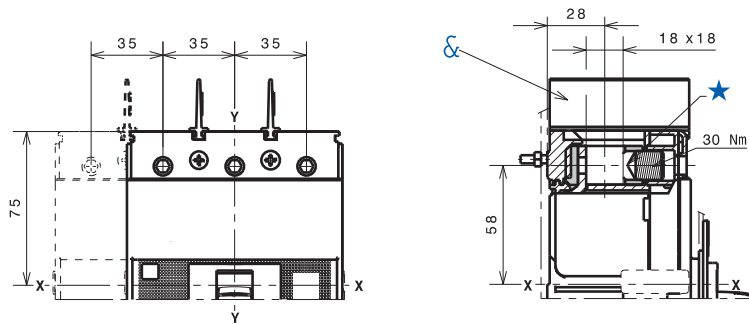
- ⊕ Extended terminals
- § Optional terminal covers with IP40 protection provided
- △ Required 100 mm insulating phase barriers provided

Cat. Nos. 140G-I-TLA1A3, -TLA1A4 Terminals



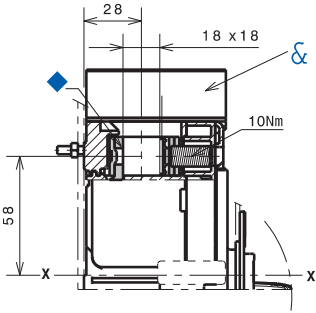
- ★ 30...150 mm² terminals
- ⊕ Required 25 mm insulating phase barriers provided

Cat. Nos. 140G-I-TLA3, -TLA4 Terminals



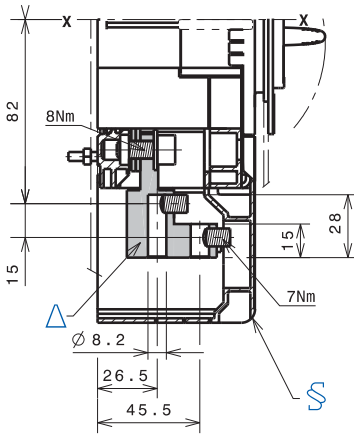
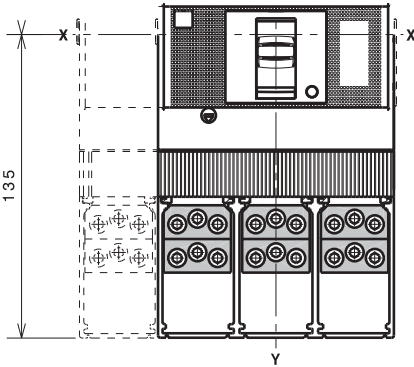
- ★ 1x90...185 mm² terminal
- § Required 25 mm insulating phase barriers provided

Cat. Nos. 140G-I-TLC13, -TLC14 Terminals



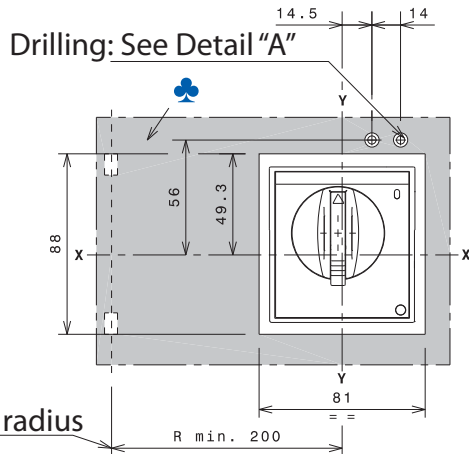
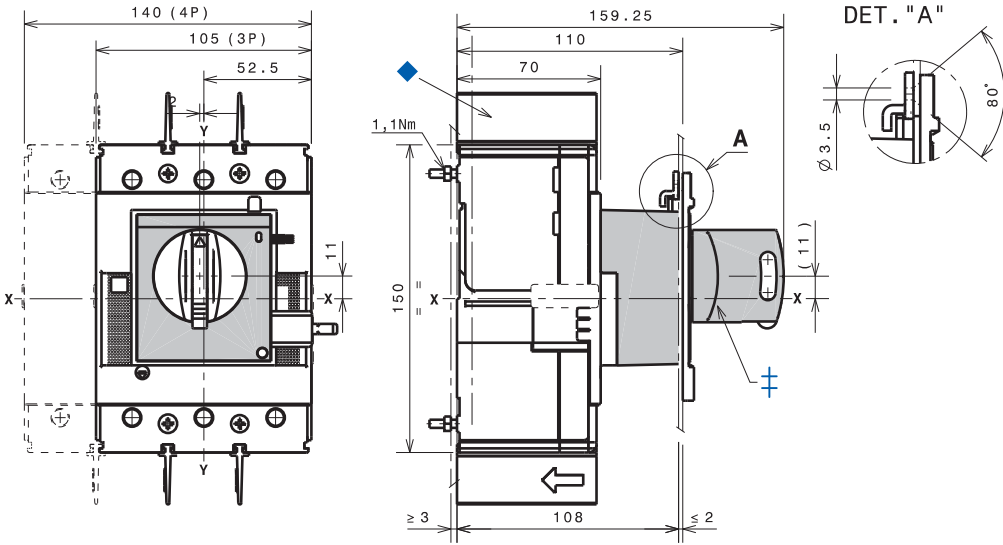
- ◆ Front terminals
- & Required 25 mm insulating phase barriers provided

Cat. Nos. 140G-I-MTL63, -MTL64 Terminals



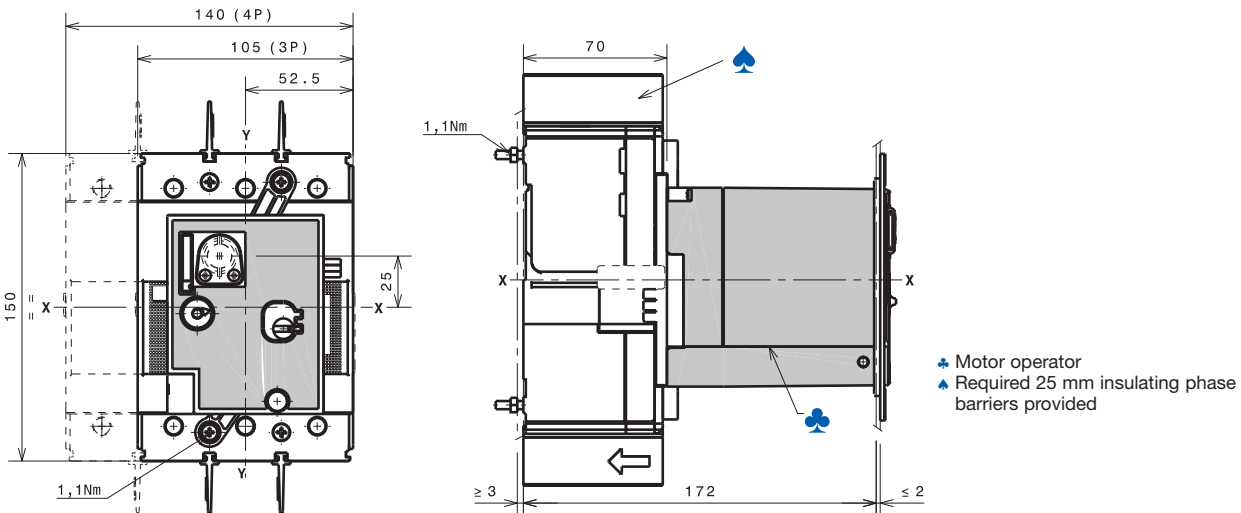
- § Optional terminal covers with IP40 protection provided
- △ Multi-cable terminal lugs

Cat. No. 140G-G-RMB, -RMY Direct Rotary Operating Handle (For I- and G-Frame Molded Case Circuit Breaker)

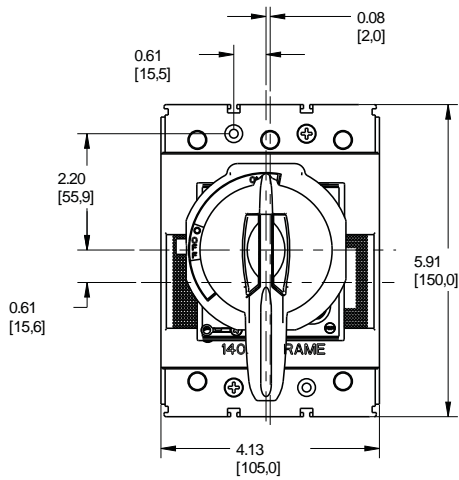
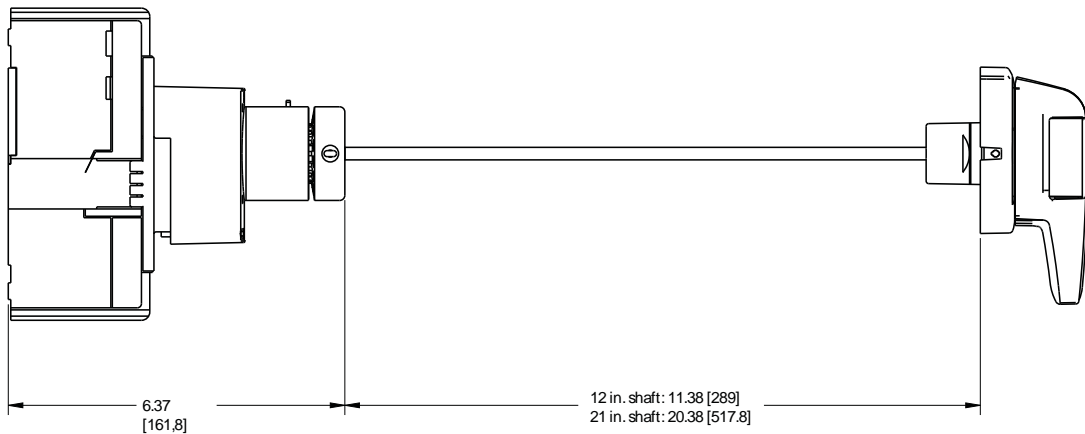


- ‡ Rotary handle operating mechanism on molded case circuit breaker
- ♣ Door drilling template with direct rotary handle
- ◆ Required 25 mm insulating phase barriers provided

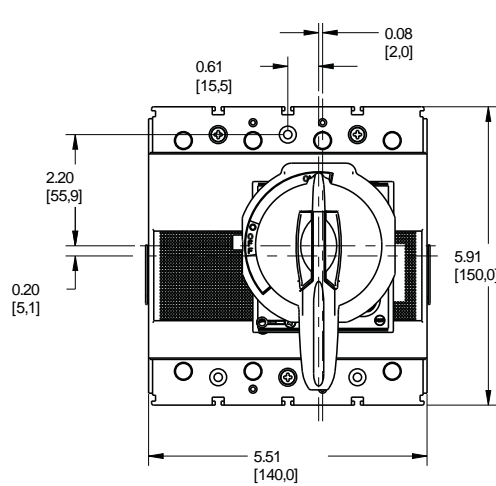
Cat. No. 140G-G-EOP... Motor Operator (I-Frame)



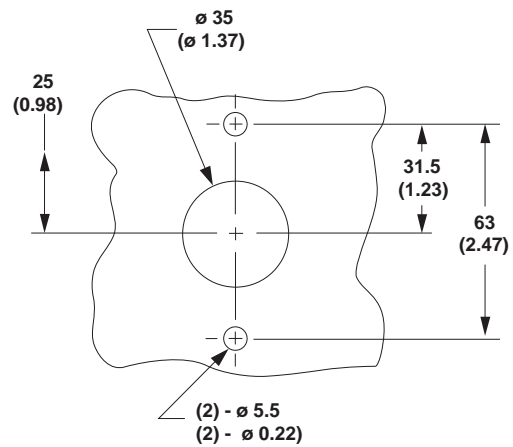
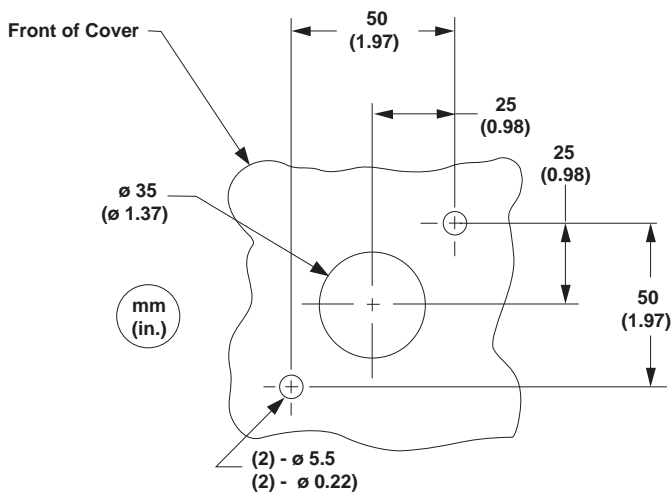
Cat. No. 140G-G-RVM... Variable Depth Rotary Handle Operating Mechanism (For I-Frame Molded Case Circuit Breaker)



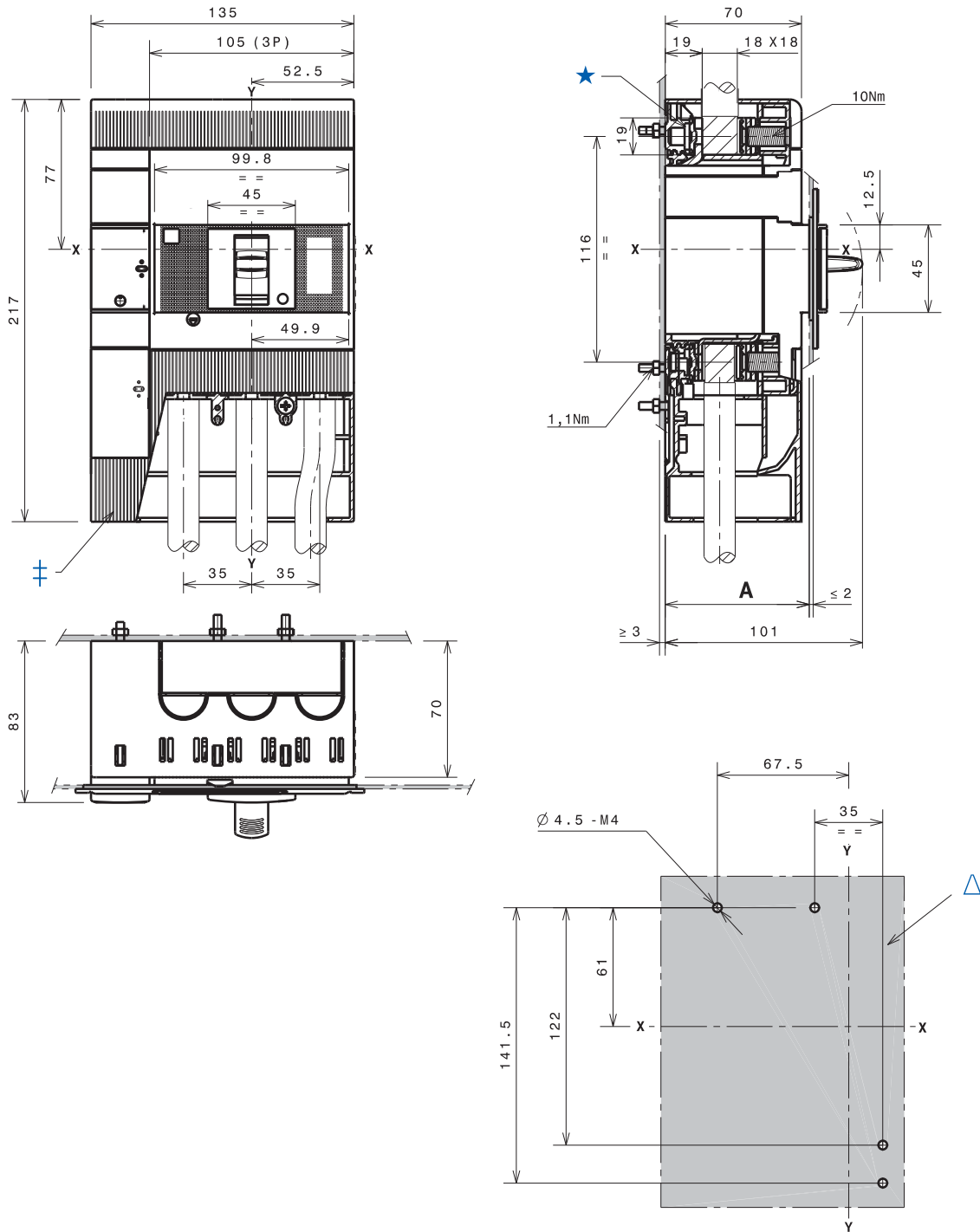
3-Pole



4-Pole



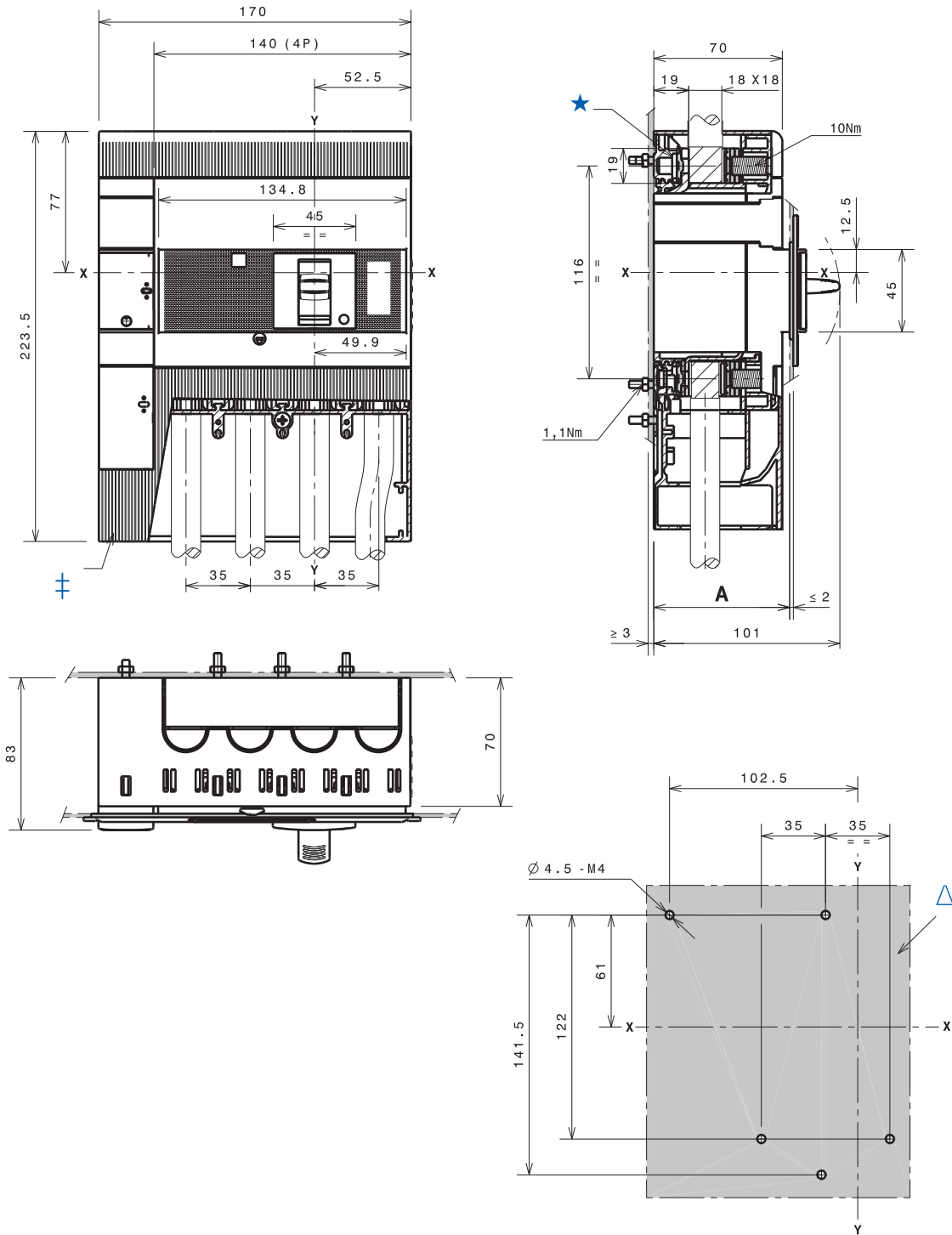
Cat. No. 140G-I-ELP2503 Residual Current Release Module



Description	No. of Poles	A
With flange	3	74
Without flange	3	71

- ★ Terminals for cable connection
- ‡ Terminal covers with IP40 protection
- △ Drilling template — molded case circuit breaker mounting on mounting plate

Cat. No. 140G-I-ELP2504 Residual Current Release Module for 4-Pole Molded Case Circuit Breakers

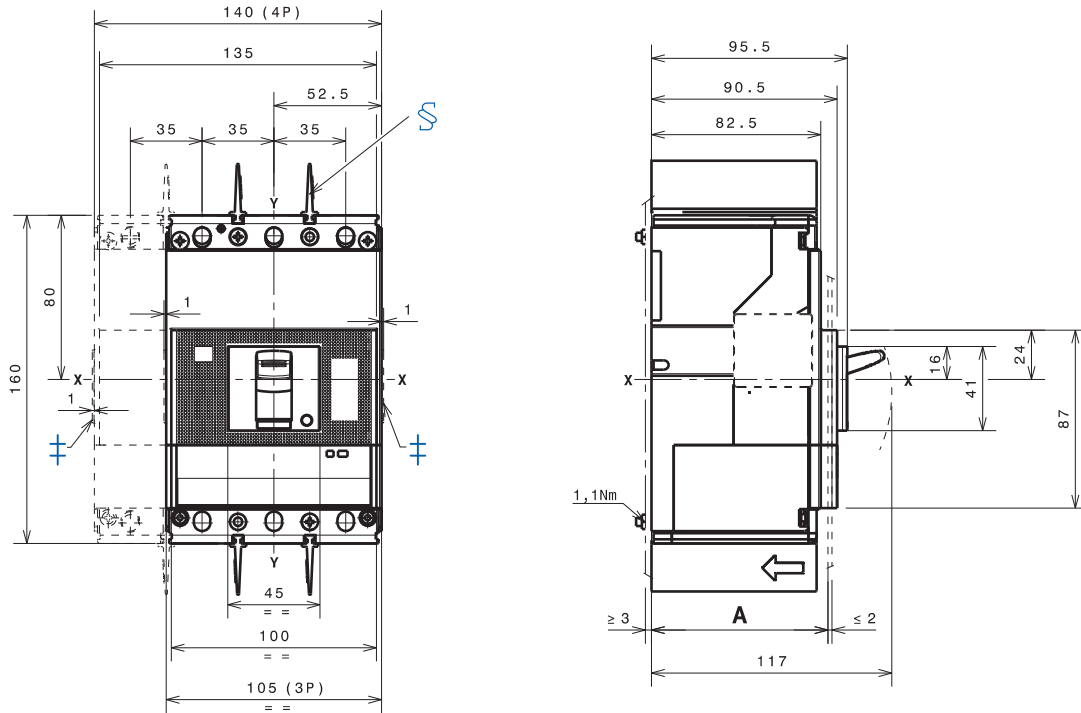


Description	No. of Poles	A
With flange	4	74
Without flange	4	71

- ★ Terminals for busbar connection
- ‡ Terminal covers with IP40 protection
- △ Drilling template — molded case circuit breaker mounting on mounting plate

Dimensions are in millimeters (inches). Dimensions are not intended to be used for manufacturing purposes.

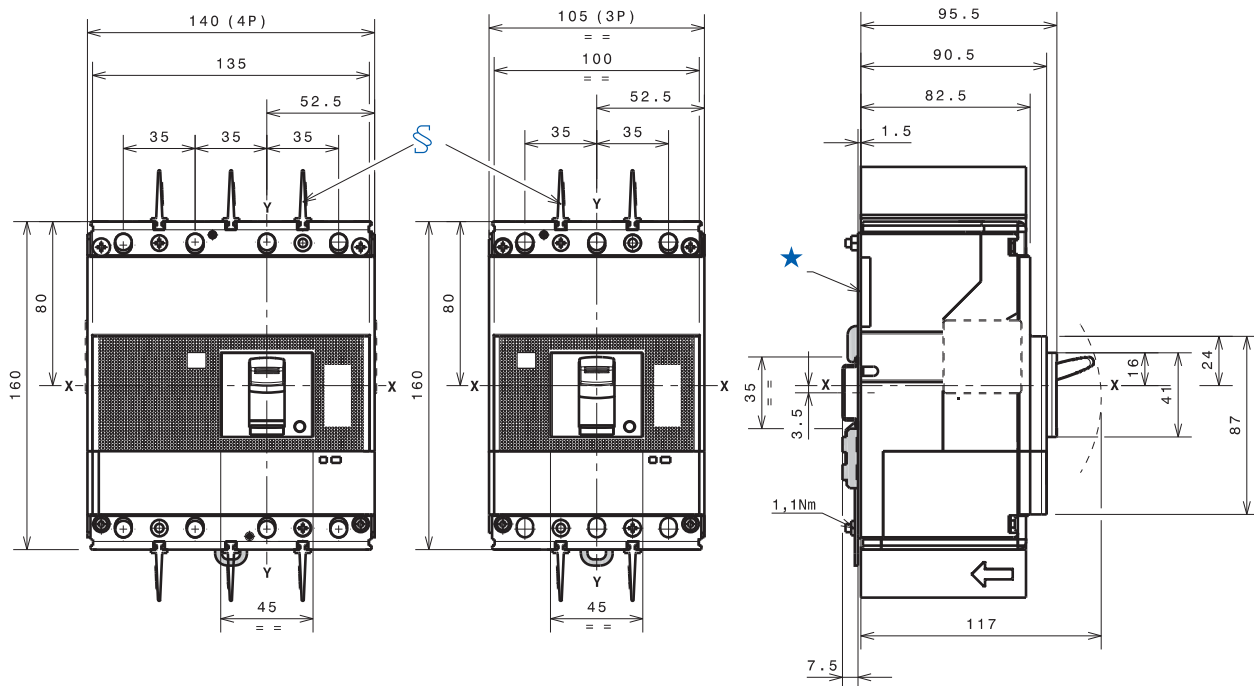
Panel Mounted Molded Case Circuit Breaker



‡ Overall dimensions of optional wiring ducts.
 § Required 25 mm insulating phase barriers provided.

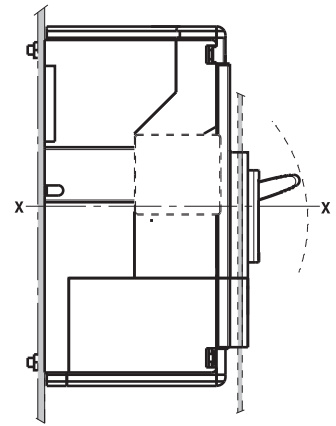
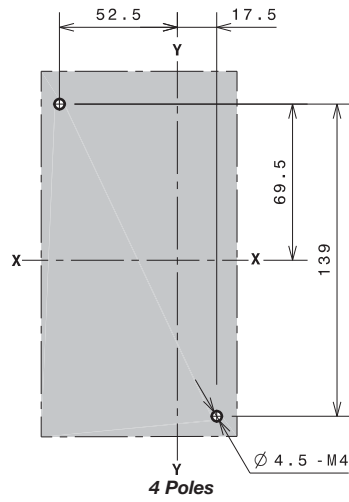
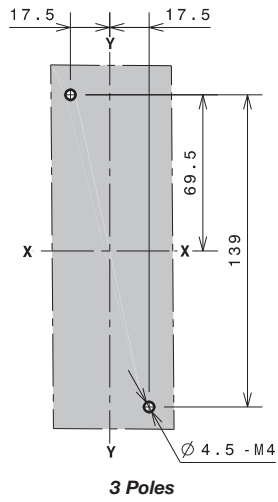
Description	No. of Poles	A
With flange	3...4	86
Without flange	3...4	83.5
	3...4	91.5

DIN Rail Mounted Molded Case Circuit Breaker

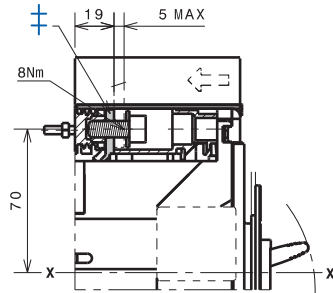
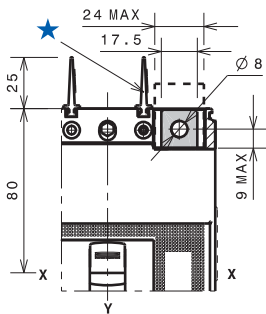


★ Mounting bracket
 § Required 25 mm insulating phase barriers provided

Drilling Template for Molded Case Circuit Breaker Mounting

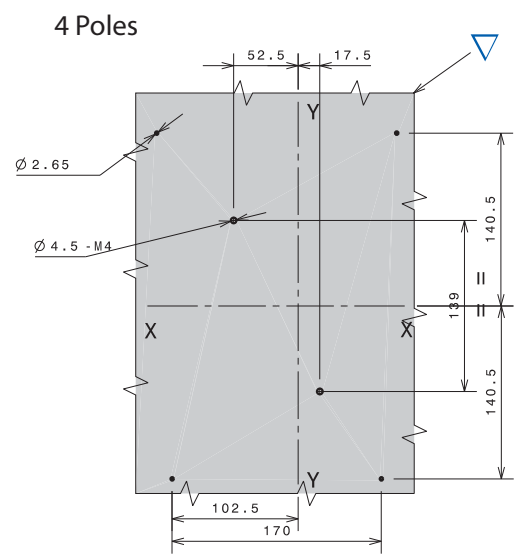
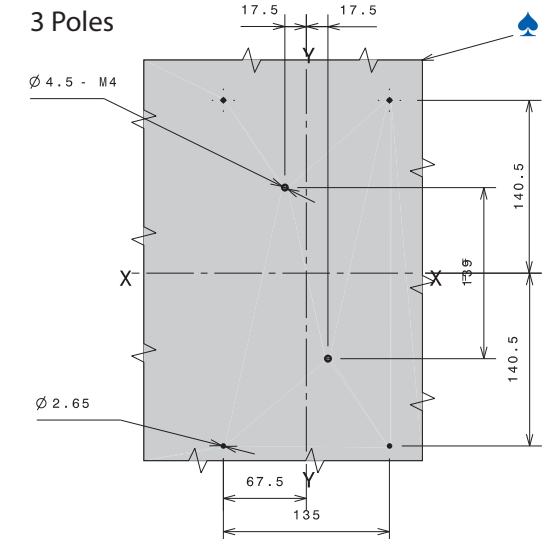
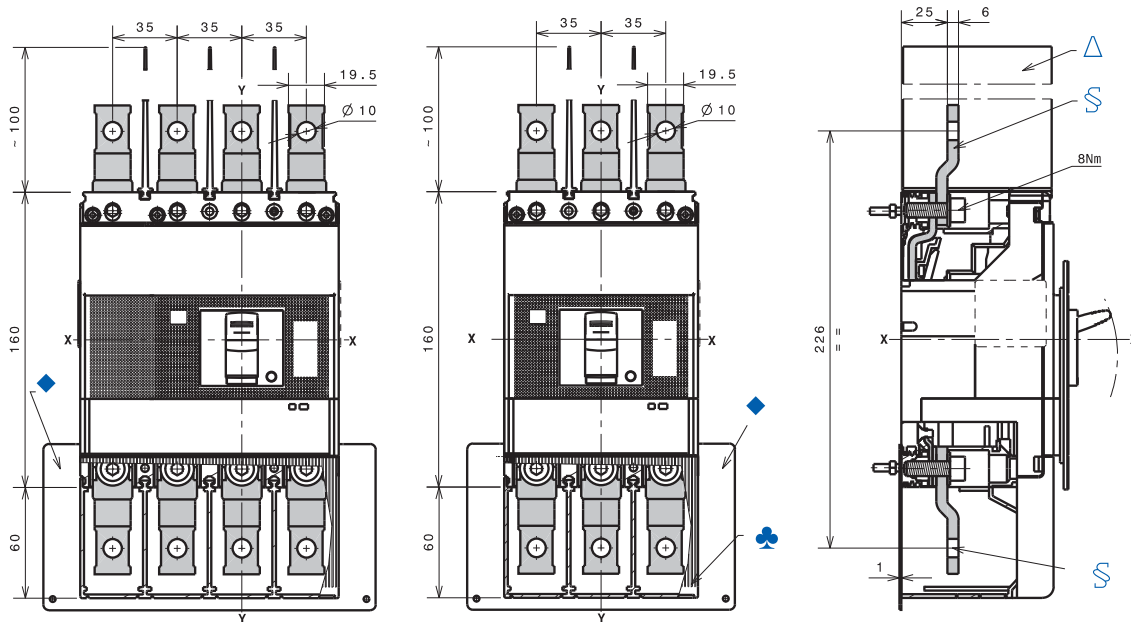


Cat. Nos. 140G-J-ECM, -ECM4 Terminals



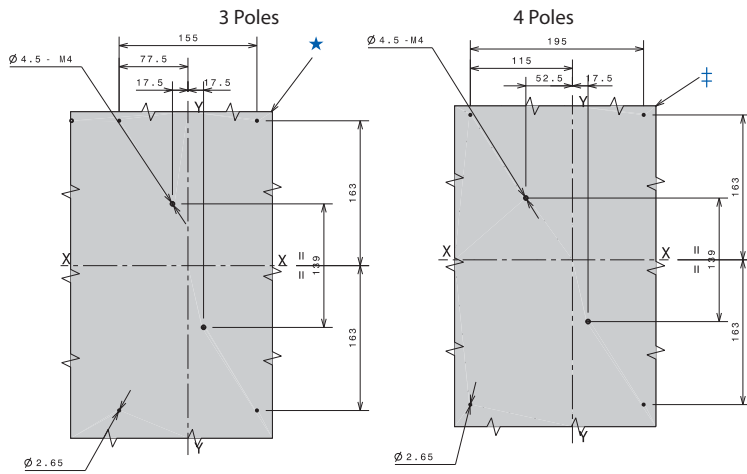
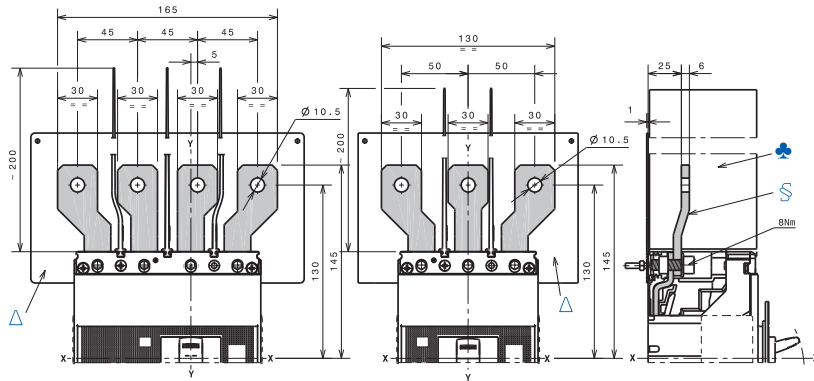
- ★ Required 25 mm insulating phase barriers provided
- ‡ Terminals for busbar connection

Cat. Nos. 140G-J-EXT3, -EXT4 Extended Terminals



- § Extended terminals
- ♣ Optional terminal covers with IP40 protection provided
- △ Required 100 mm insulating phase barriers provided
- ◆ Required insulating plate provided for molded case circuit breaker with $U_0 > 440V$
- ♠ Drilling template for 3-pole molded case circuit breaker
- ▽ Drilling template for 4-pole molded case circuit breaker

Cat. Nos. 140G-J-EXS3, -EXS4 Spreader Terminals

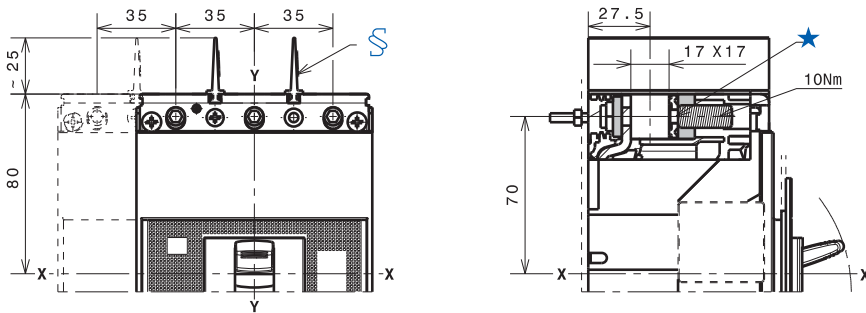


- ★ Drilling template for 3-pole molded case circuit breaker
- ‡ Drilling template for 4-pole molded case circuit breaker
- § Extended spread terminals
- ♣ Required 200 mm insulating phase barriers provided
- △ Required insulated plate provided for molded case circuit breaker with $U_e > 440V$

Cat. Nos. 140G-J-TLA13, -TLA14 Terminal Lugs

Aluminum Conductor: 6...350 MCM (2.5...185 mm)

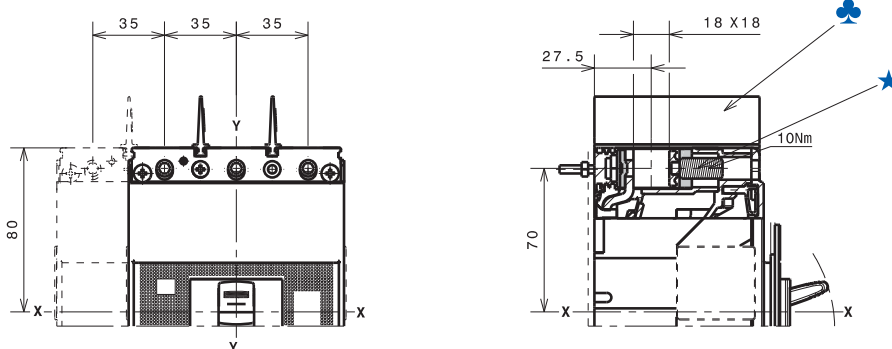
Copper Conductor: 10...350 MCM (6...185 mm)



- ★ 1x1...185 mm² front terminal
- § Required 25 mm insulating phase barriers provided

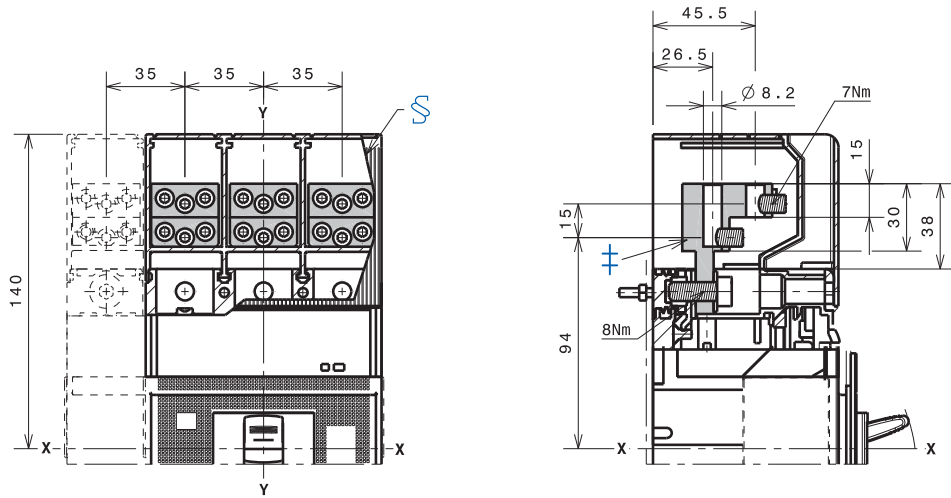
Cat. Nos. 140G-J-TLC13, -TLC14 Terminal Lugs

10...350 MCM (6...185 mm)

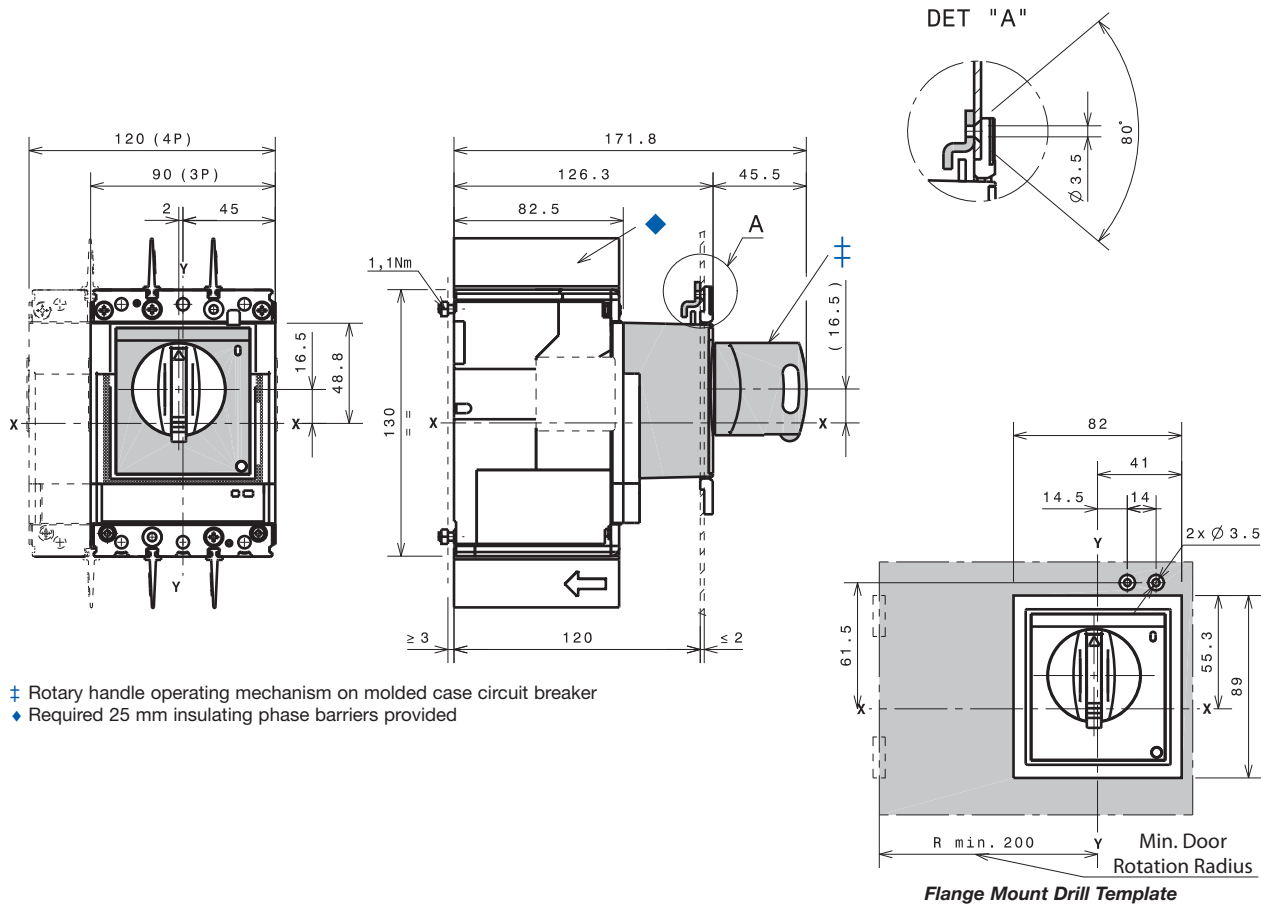


- ★ External terminals
- ♣ Required 25 mm insulating phase barriers provided

Cat. Nos. 140G-J-MTL63, -MTL64 Terminals

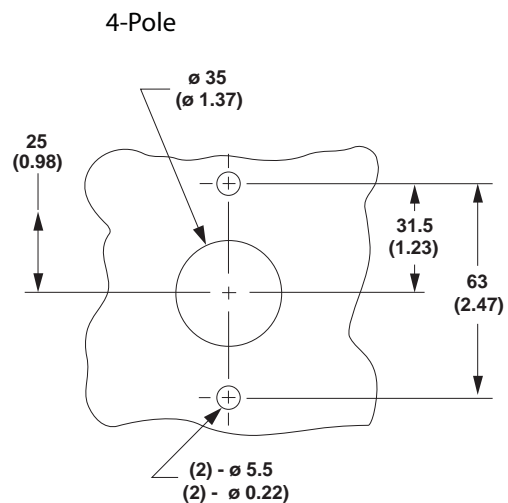
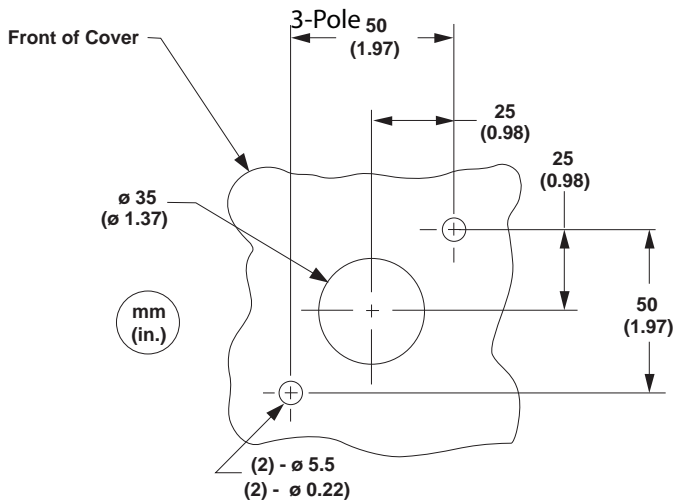
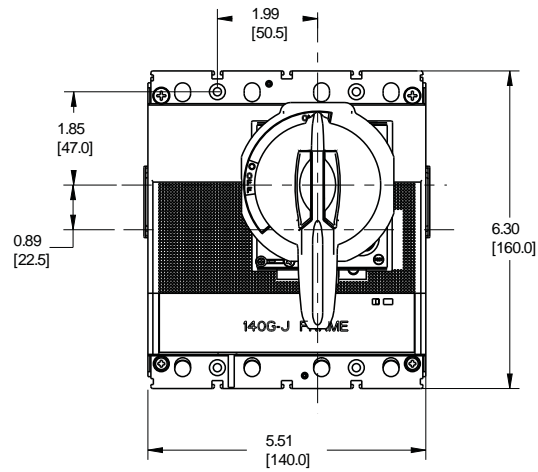
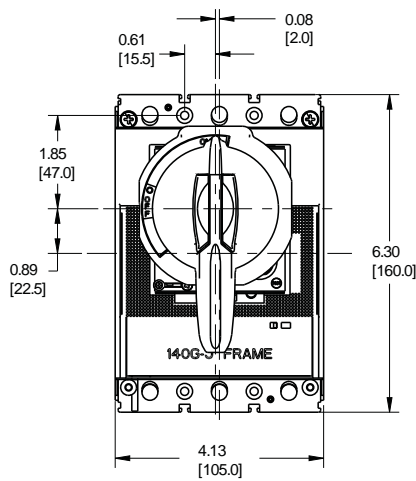
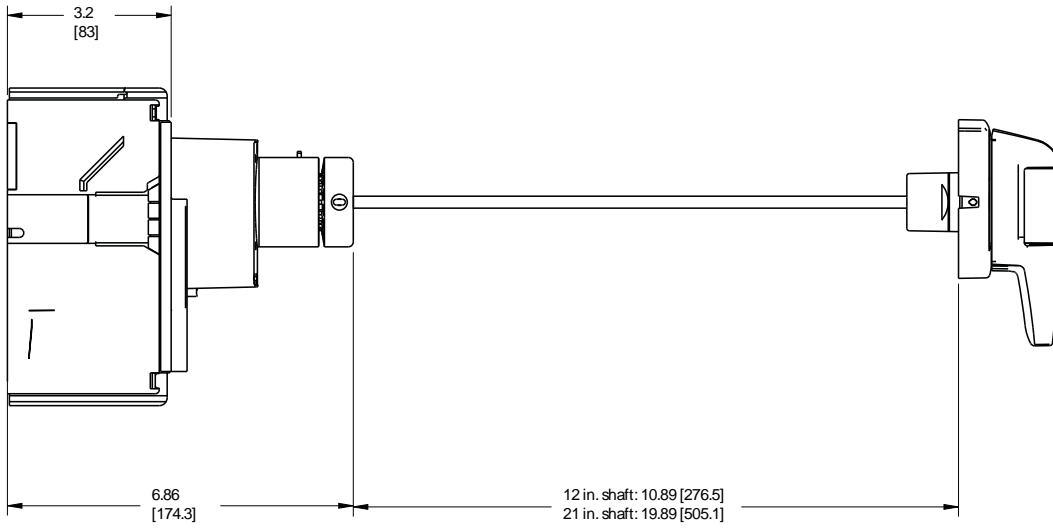


- ‡ Multi-cable terminal lugs
- § Optional terminal covers with IP40 protection provided

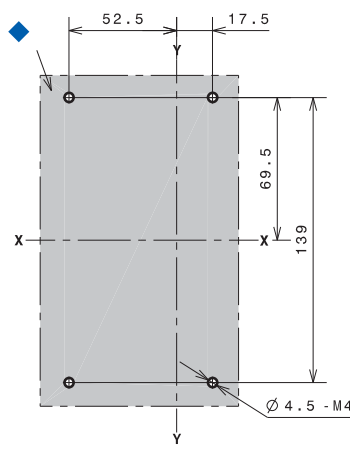
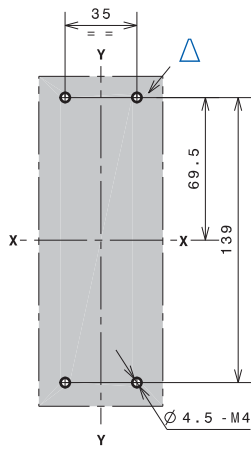
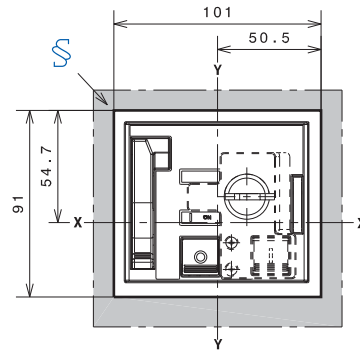
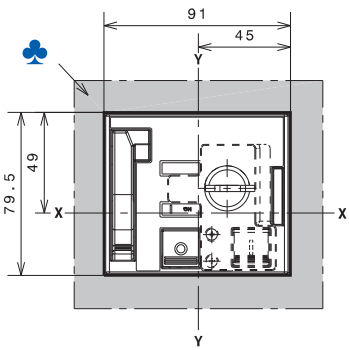
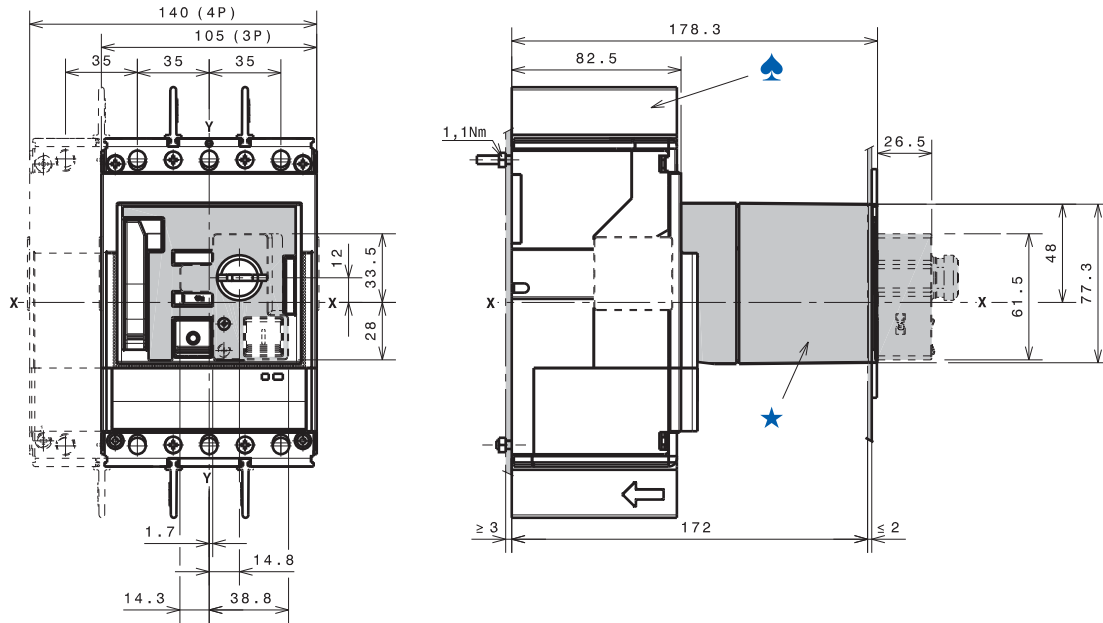


- ‡ Rotary handle operating mechanism on molded case circuit breaker
- ◆ Required 25 mm insulating phase barriers provided

Cat. No. 140G-H-RVM... Variable Depth Rotary Handle Operating Mechanism (For J-Frame Molded Case Circuit Breaker)



Cat. No. 140G-H-EOP... Motor Operator – For H- & J-Frame Molded Case Circuit Breaker

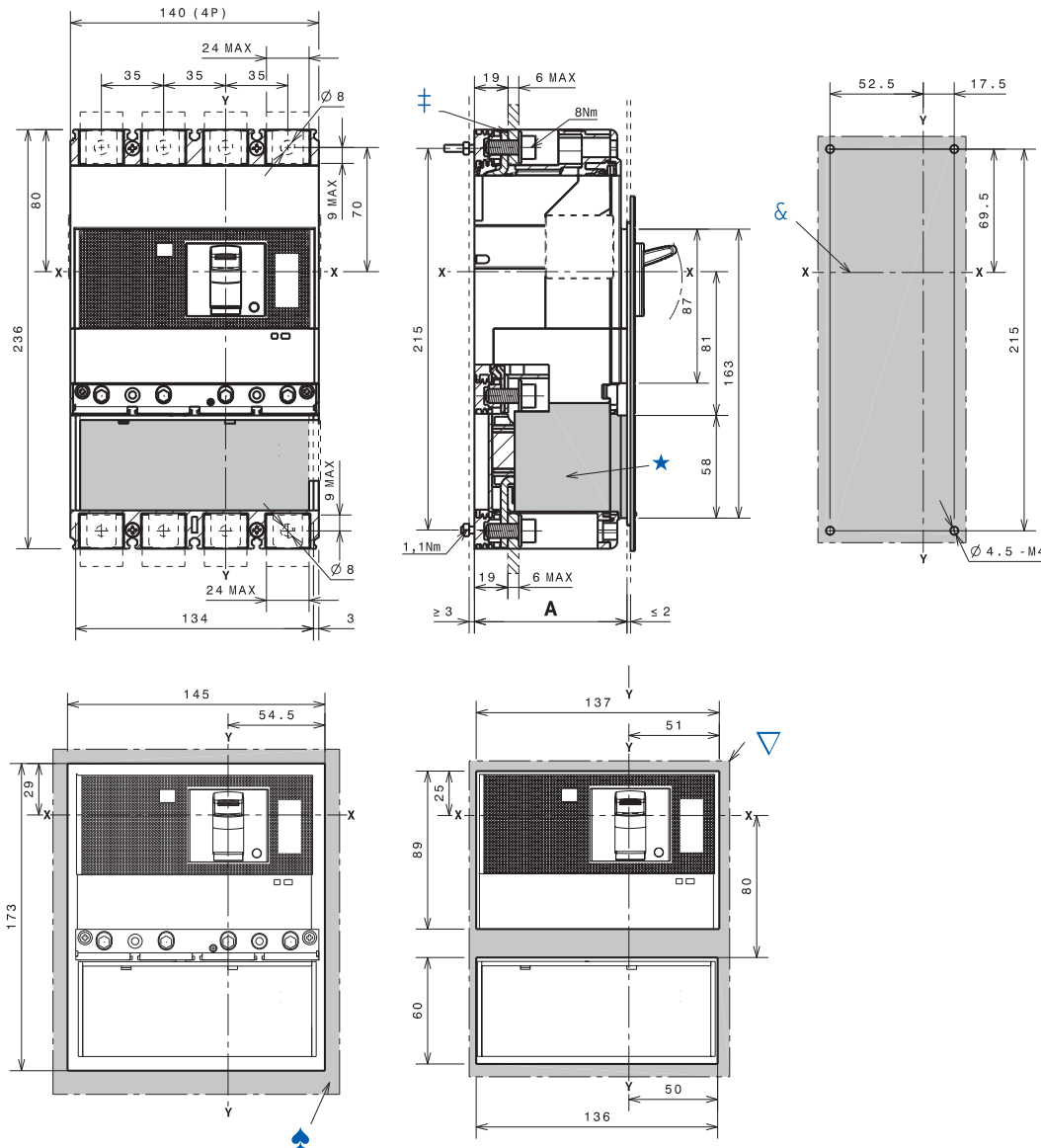


3 Poles

4 Poles

- ★ Motor operator
- Ⓢ Drilling template for door with motor operator with flange
- ♣ Drilling template for door with motor operator without flange
- △ Drilling template for 3-pole molded case circuit breaker, mounted on mounting plate
- ◆ Drilling template for 4-pole molded case circuit breaker, mounted on mounting plate
- ♠ Required 25 mm insulating phase barriers provided

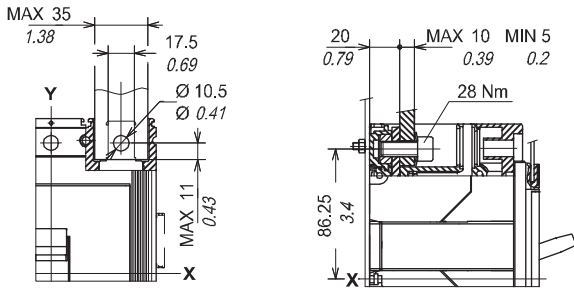
Cat. No. 140G-J-EP2504 Residual Current Release Module for 4-Pole Molded Case Circuit Breakers



Description	No. of Poles	A
With flange	4	86
Without flange	4	83.5

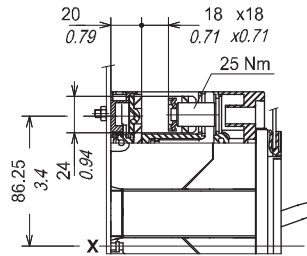
- ★ Residual current module
- ‡ Front terminals
- ▲ Drilling template — door with direct rotary mechanism and flange
- ▼ Drilling template — door with direct rotary mechanism, without flange
- & Drilling template — molded case circuit breaker mounting on mounting plate

Cat. Nos. 140G-K-ECM, -ECM4 Terminals



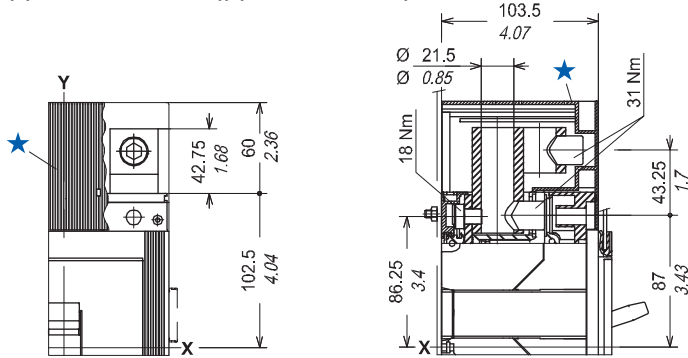
Cat. Nos. 140G-K-TLC13, -TLC14 Terminals

250...500 MCM (120...240 mm²)



Cat. Nos. 140G-K-TLA23, -TLA24, -TLC23, -TLC24 Terminals

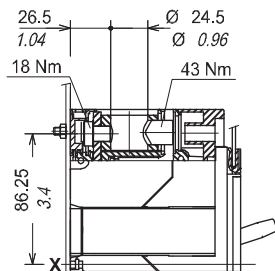
(2) 2/0...250 MCM ((2) 95...120 mm²)



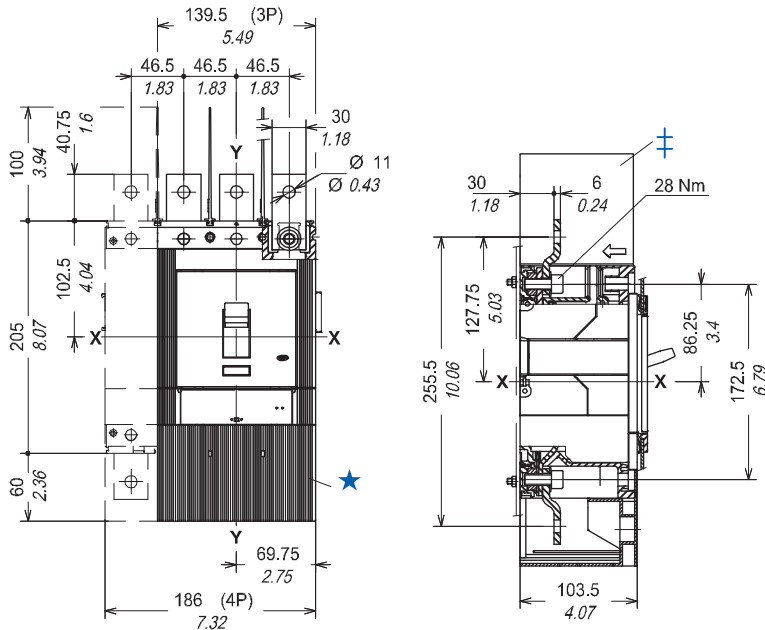
★ Terminal covers with IP40 protection

Cat. Nos. 140G-K-TLA13, -TLA14 Terminals

250...500 MCM (120...240 mm²)

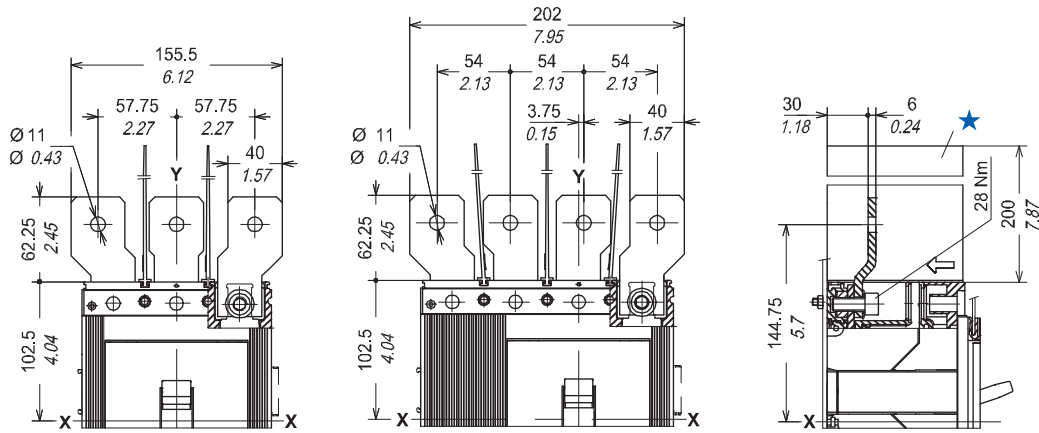


Cat. Nos. 140G-K-EXT3, -EXT4 Extended Terminals



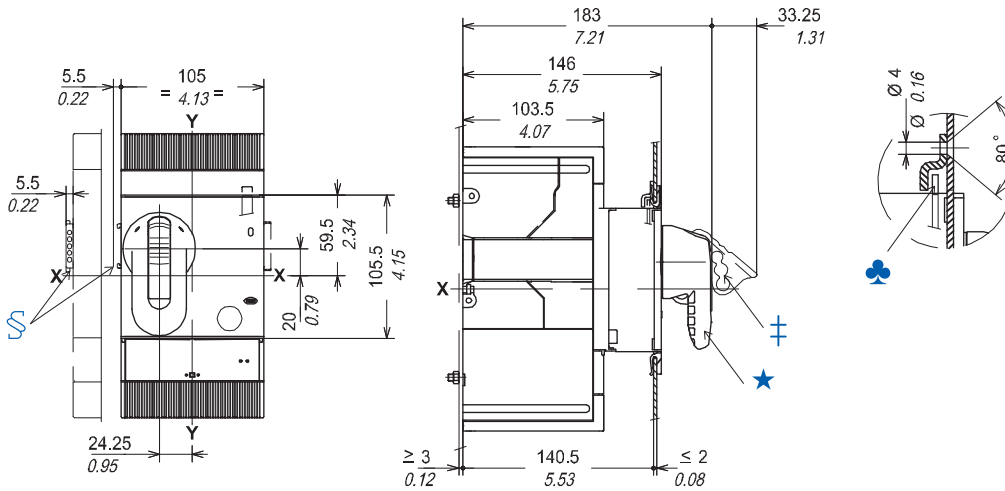
- ★ Terminal covers with IP40 protection
- ‡ Required 100 mm insulating phase barriers provided

Cat. Nos. 140G-K-EXS3, -EXS4 Spreader Terminals



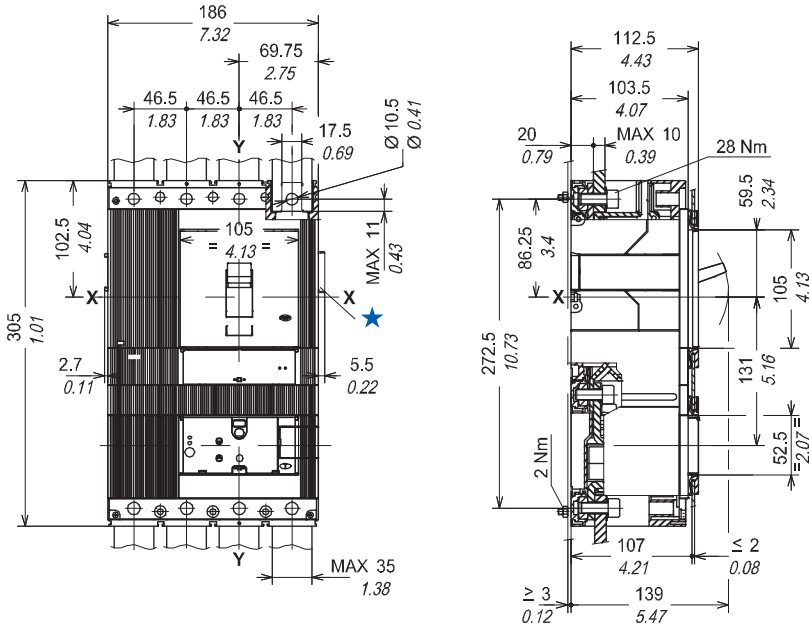
- ★ Required 200 mm insulating phase barriers provided

Cat. No. 140G-K-RMB, -RMY Rotary Handle Operating Mechanism — Door Mounted



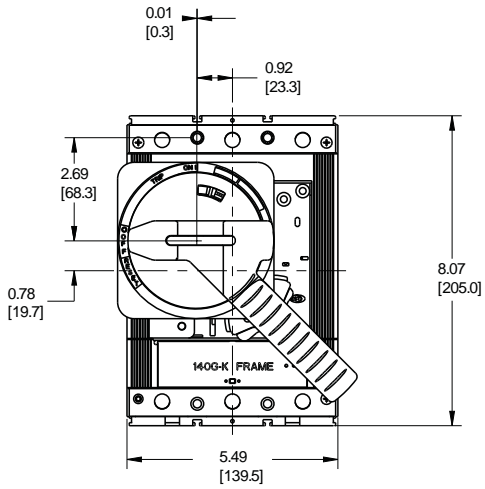
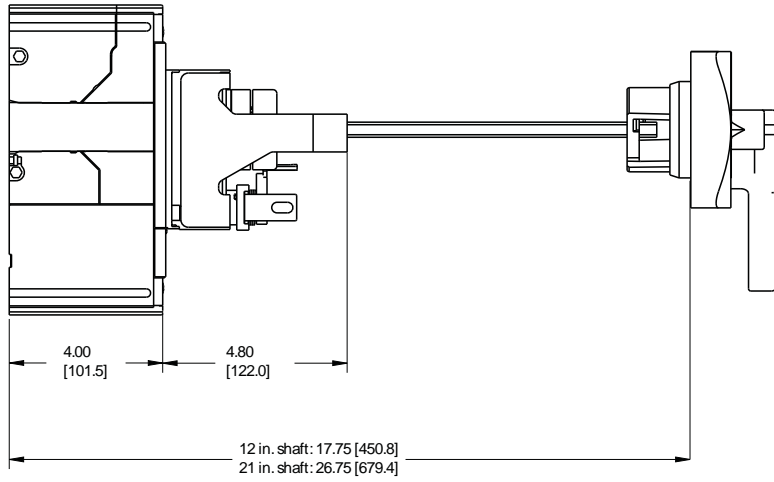
- ★ Rotary handle operating mechanism on molded case circuit breaker
- ‡ Padlock device for open position (max. 3 padlocks; user provided)
- § Dimensions with cabled early make contact
- ♣ Compartment door lock

Cat. No. 140G-K-ELP Residual Current Release Module for 4-Pole Molded Case Circuit Breakers

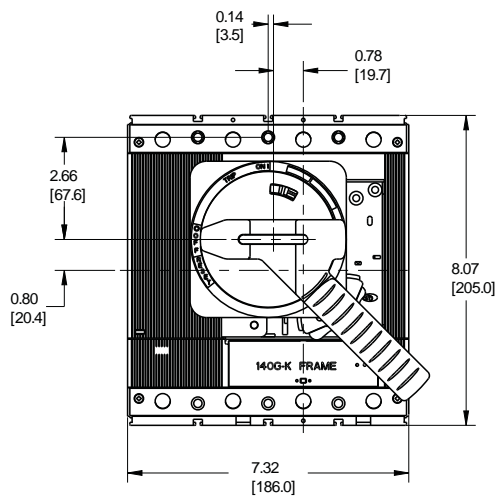


- ★ Overall dimensions with cabled auxiliary contacts mounted

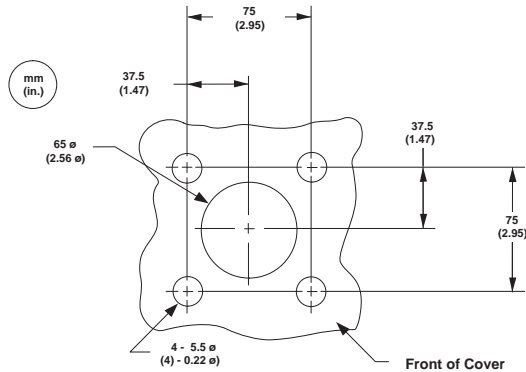
Cat. No. 140G-K-RVM... Variable Depth Rotary Handle Operating Mechanism



3-Pole

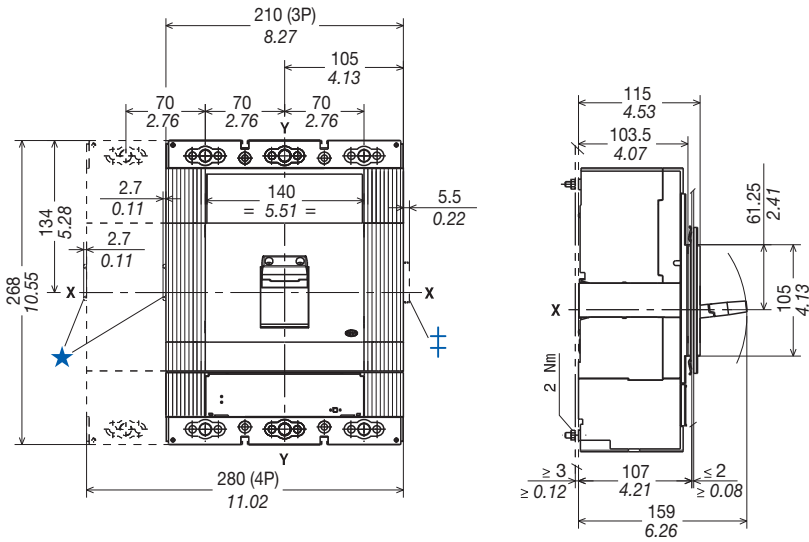


4-Pole



Dimensions are in millimeters (inches). Dimensions are not intended to be used for manufacturing purposes.

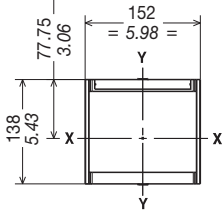
Panel Mounted Molded Case Circuit Breaker



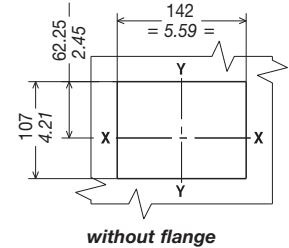
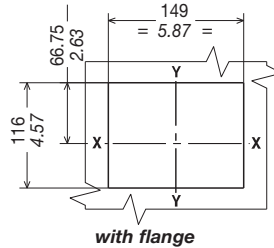
- ★ Overall dimensions with cabled accessories mounted
- ‡ Overall dimensions with cabled auxiliary contacts mounted

Drilling Templates for Molded Case Circuit Breaker Mounting

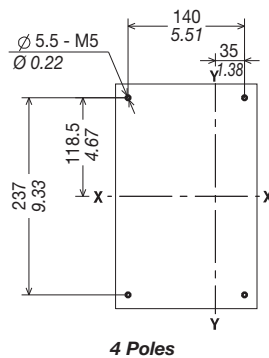
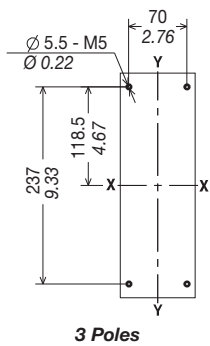
Flange for compartment door



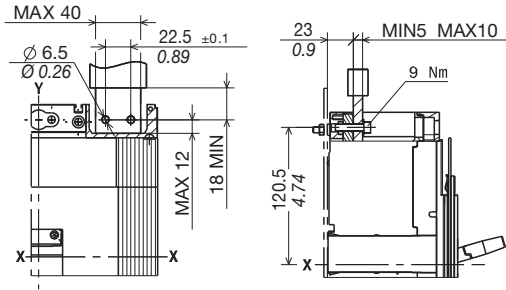
Drilling template for compartment door



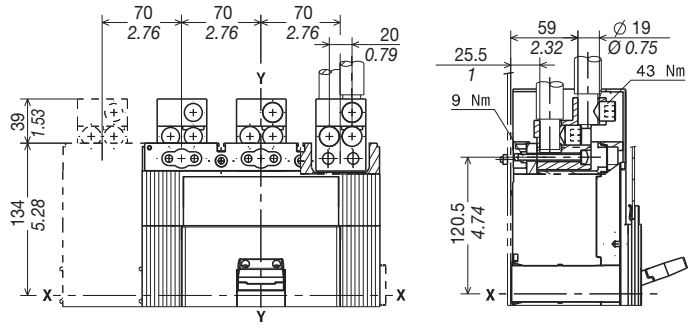
Drilling template for mounting plate



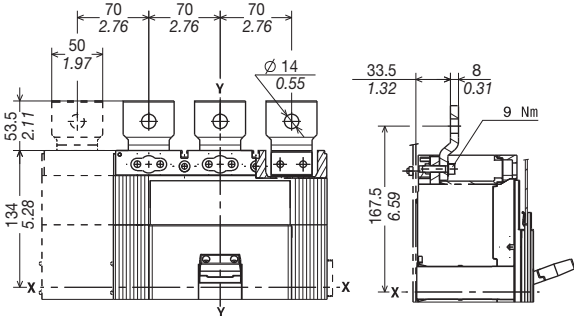
Cat. No. 140G-M-ECM Terminals



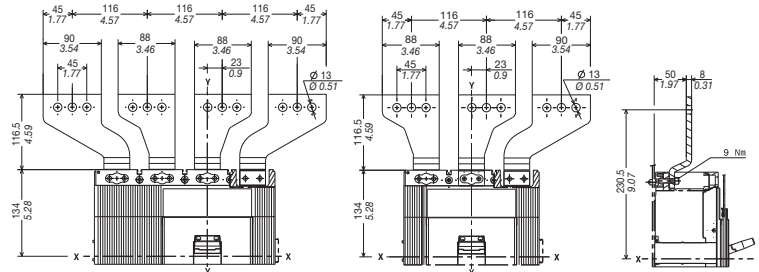
Cat. No. 140G-M-TLA23, -TLA24, -TLC23, -TLC24 Terminals



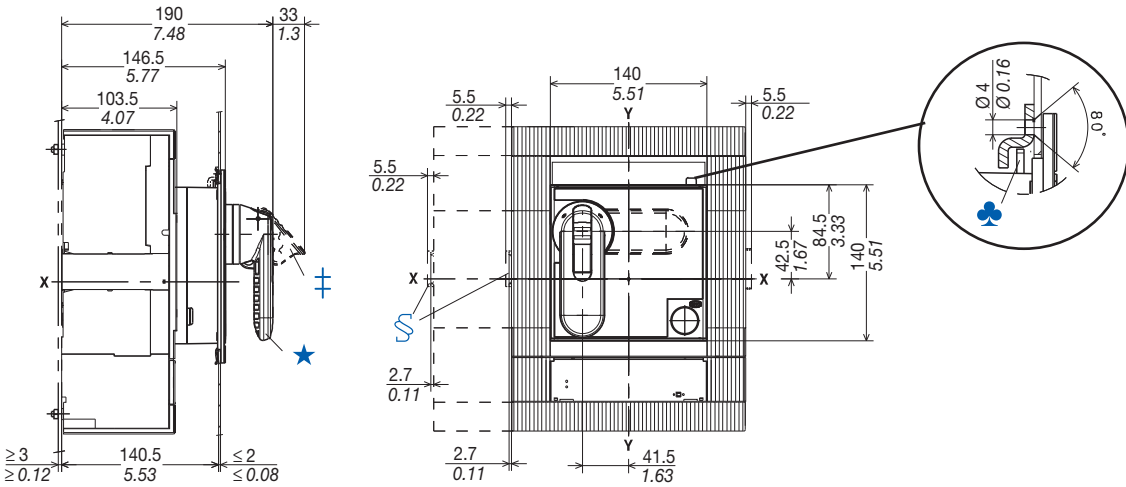
Cat. Nos. 140G-M-EXT3, -EXT4 Extended Terminals



Cat. Nos. 140G-M-EXSLI3, -EXSLO3, -EXS4 Spreader Terminals



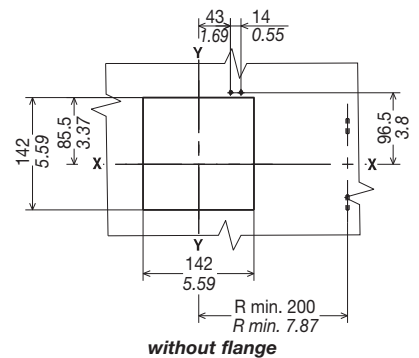
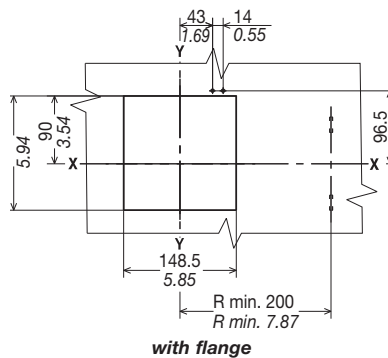
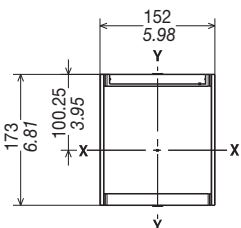
Cat. No. 140G-M-RMB, -RMY Rotary Handle Operating Mechanism — Door Mounted



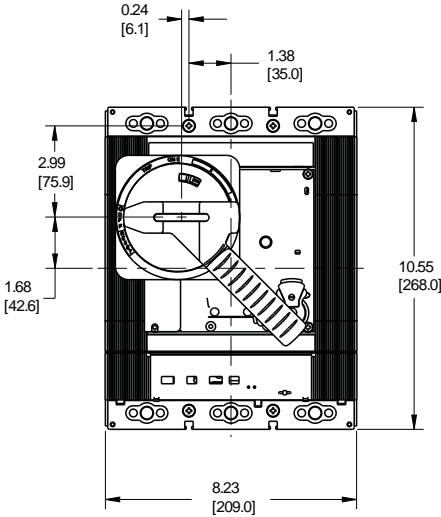
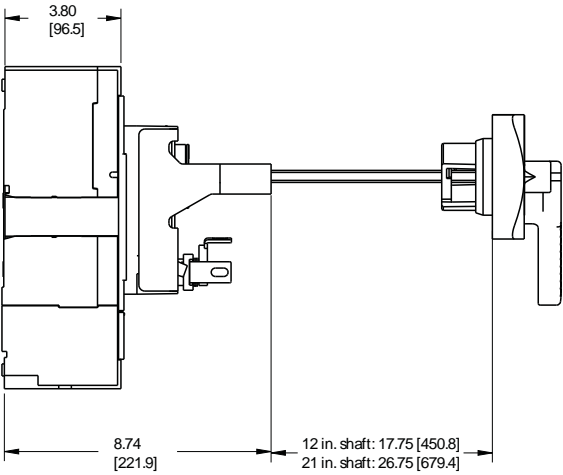
- ★ Rotary handle operating mechanism on molded case circuit breaker
- † Padlock device for open position (max. 3 padlocks; user provided)
- § Dimension with cabled early make contact
- ♣ Compartment door lock

Drilling template for compartment door

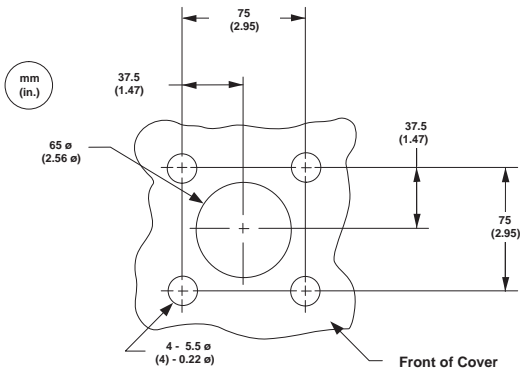
Flange for compartment door



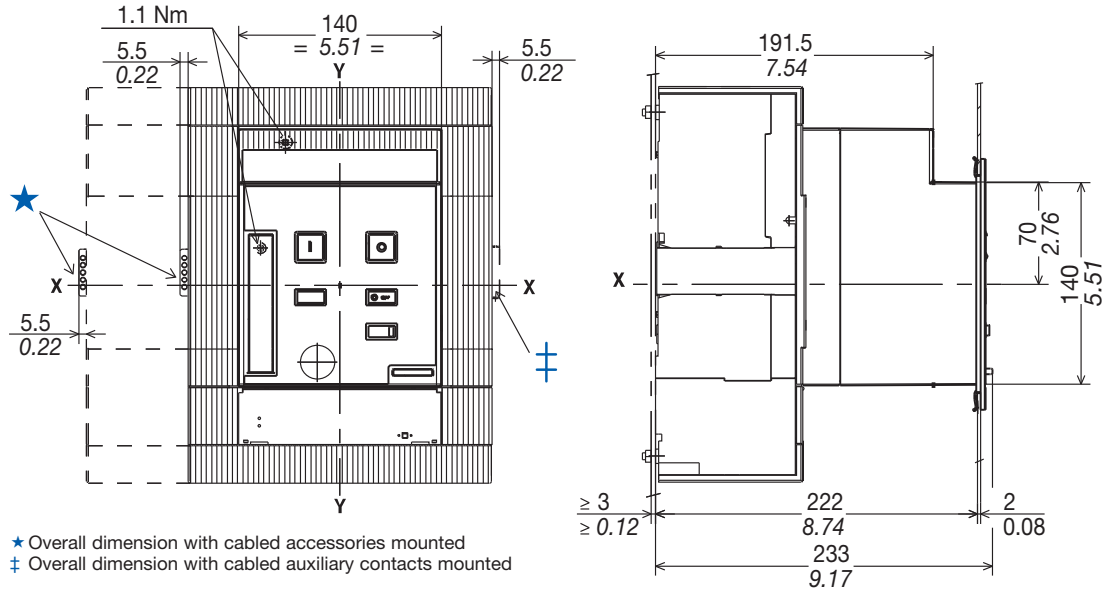
Cat. No. 140G-M-RVM... Variable Depth Rotary Handle Operating Mechanism



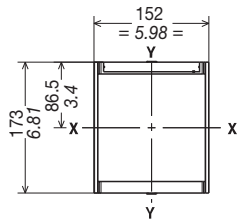
3-Pole



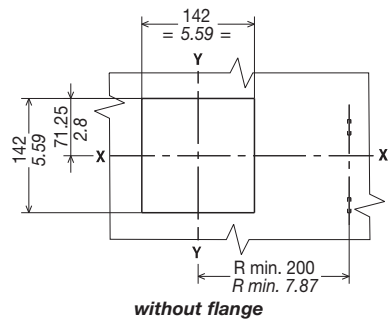
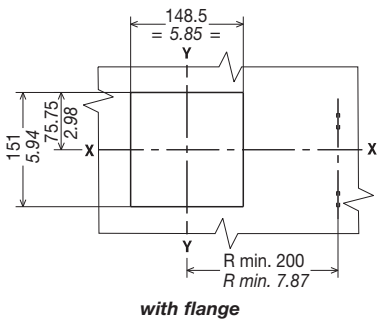
Cat. No. 140G-M-EOP, -ECOP Motor Operator



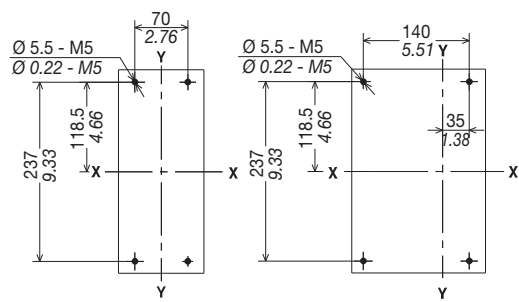
Flange for compartment door



Drilling template for compartment door

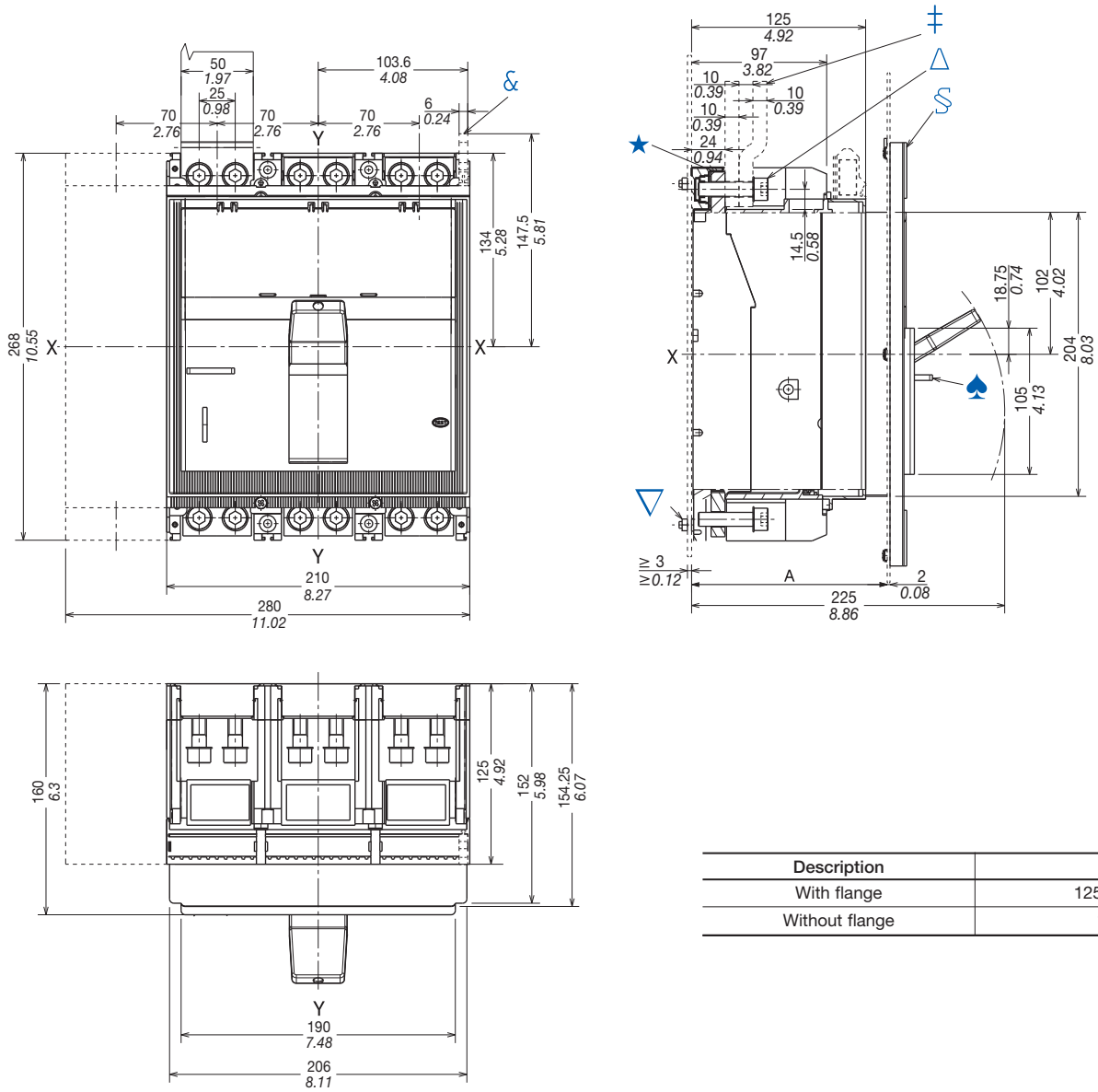


Drilling template for mounting plate



Dimensions are in millimeters (inches). Dimensions are not intended to be used for manufacturing purposes.

Panel Mounted Molded Case Circuit Breaker

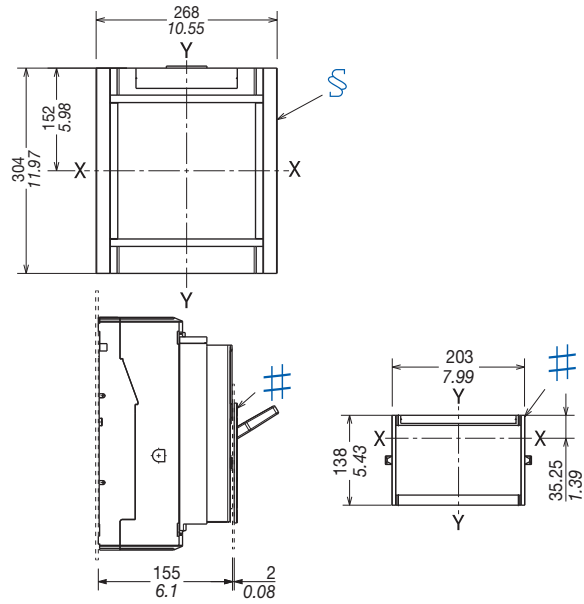


- ★ Front terminals for flat connection
- ‡ Busbars
- § Door flange
- △ Tightening torque: 18 N•m
- ♣ Padlock (optional)
- ▽ Tightening torque: 2.5 N•m
- & Terminal for auxiliary contacts

Description	A
With flange	125...141
Without flange	147

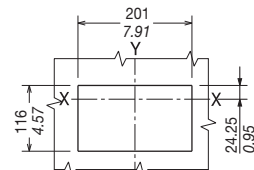
Drilling Templates for Molded Case Circuit Breaker Mounting

Flange for compartment door

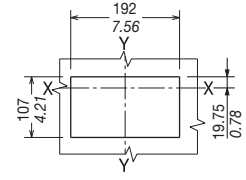


- Ⓢ Door flange
- # Reduced flange for compartment door

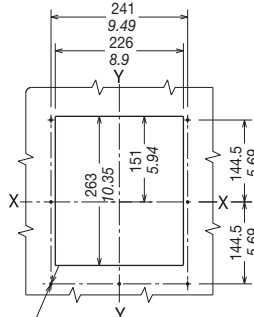
Drilling template for compartment door



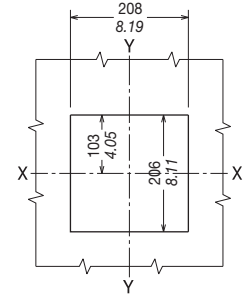
with reduced flange



Front 190 x 105

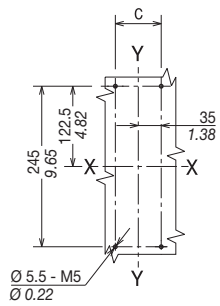


with flange



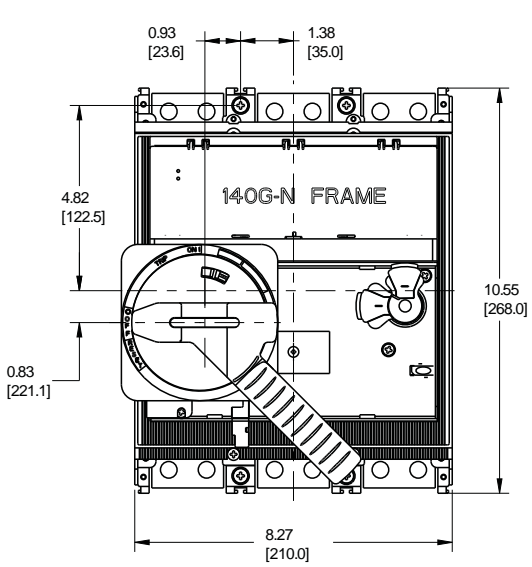
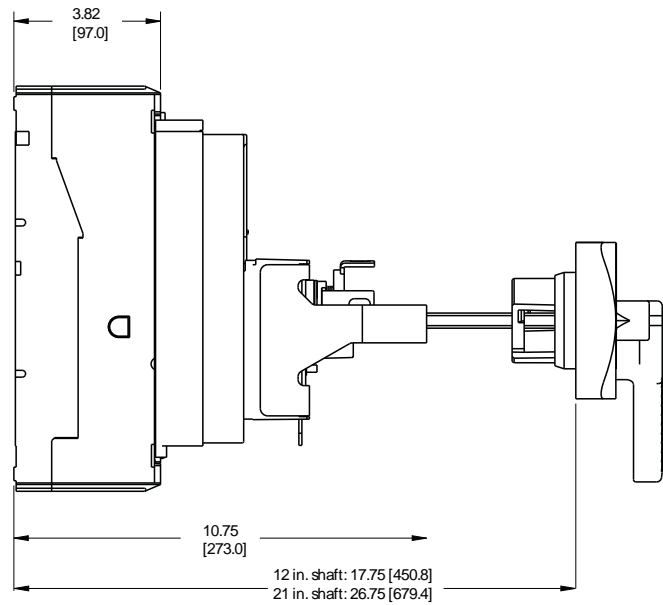
Front 206 x 204

Drilling template for mounting plate

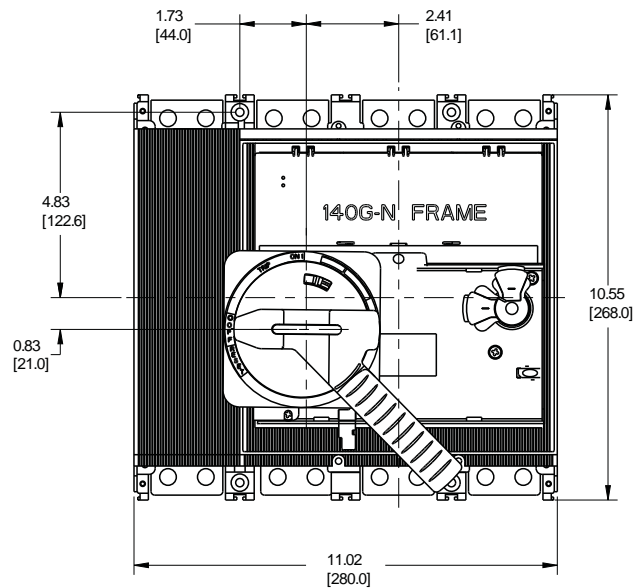


No. of Poles	C
3	70
4	140

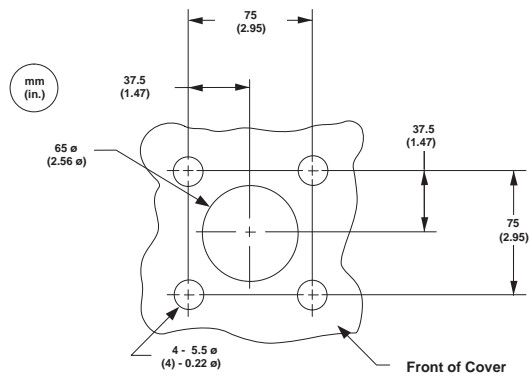
Cat. No. 140G-N-RVM... Variable Depth Rotary Handle Operating Mechanism



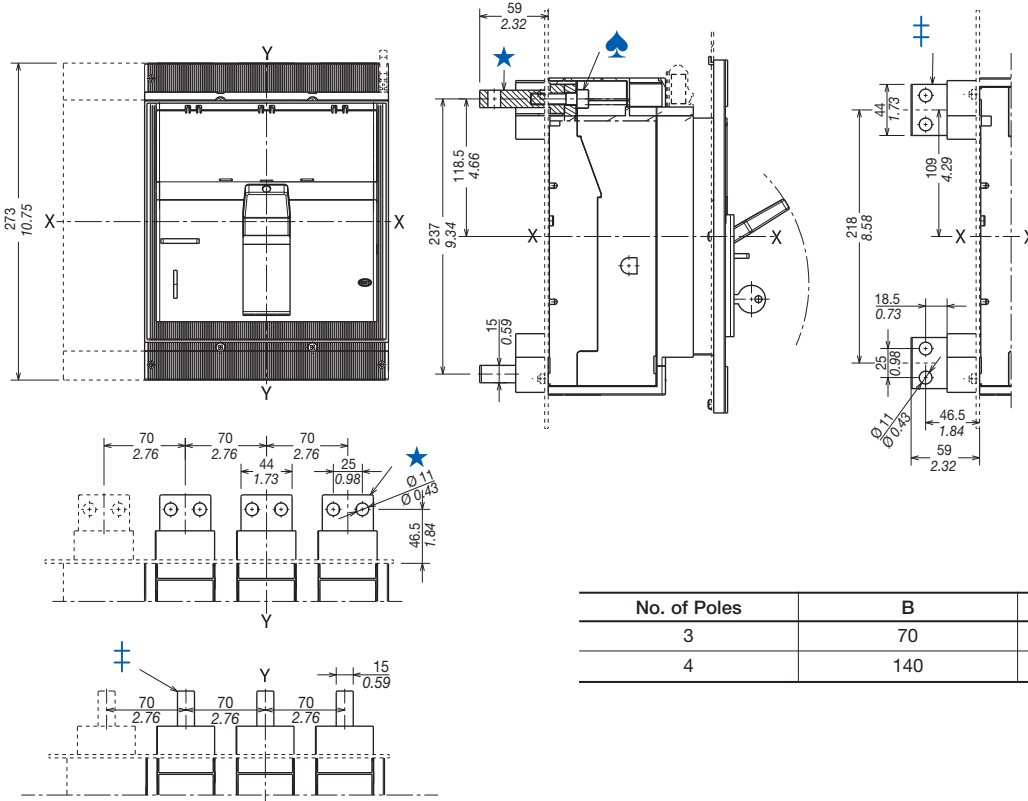
3-Pole



4-Pole



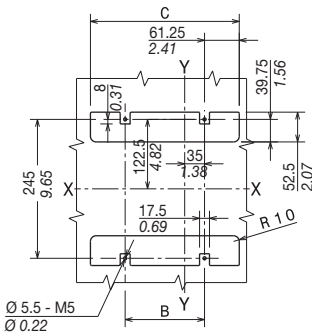
Cat. Nos. 140G-N-TLH3, -TLV3, TLH4, TLV4 Terminals



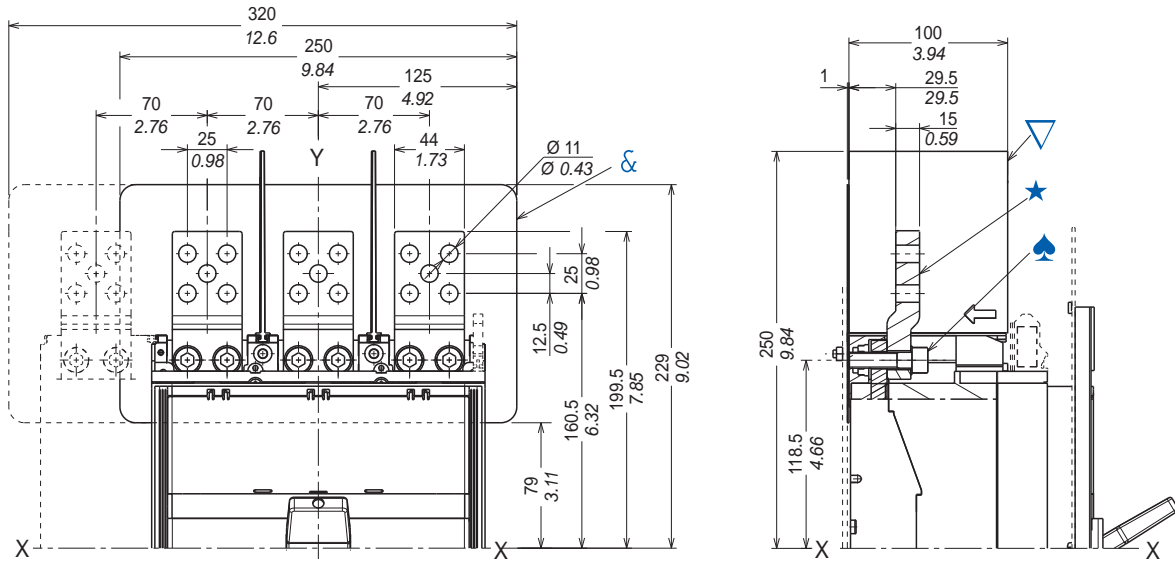
No. of Poles	B	C
3	70	192.5
4	140	262.5

- ★ Rear horizontal terminals
- ‡ Rear vertical terminals
- ◆ Tightening torque: 20 N•m

Drilling template for mounting plate

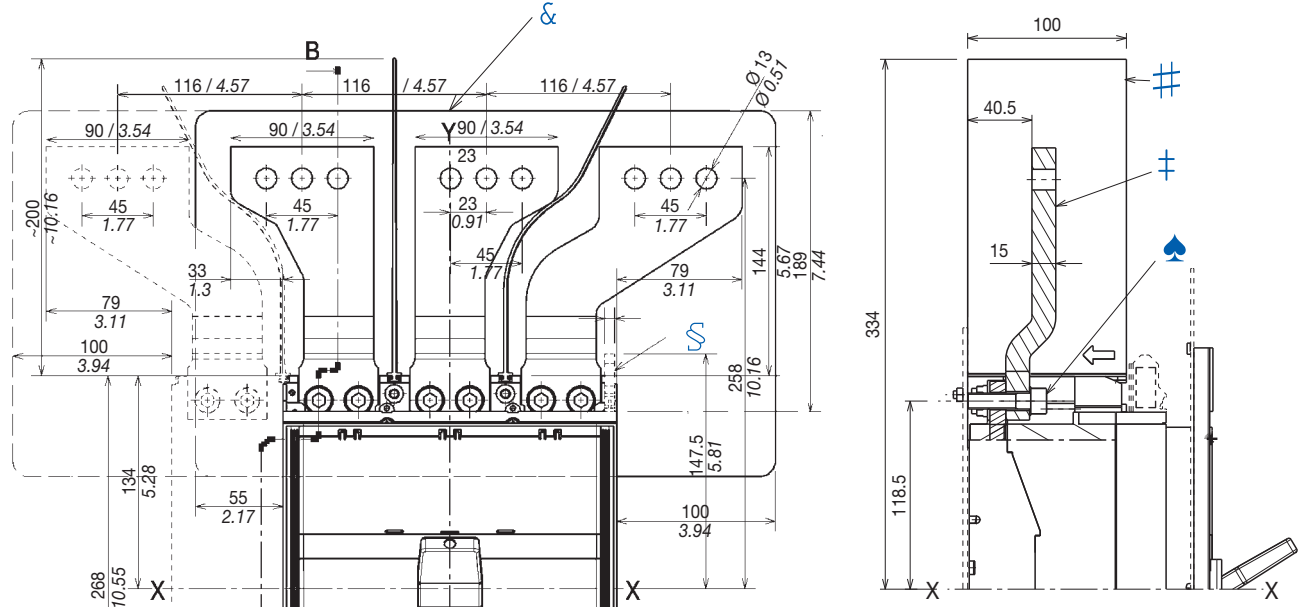


Cat. No. 140G-N-EXT3, -EXT4 Extended Front Terminals



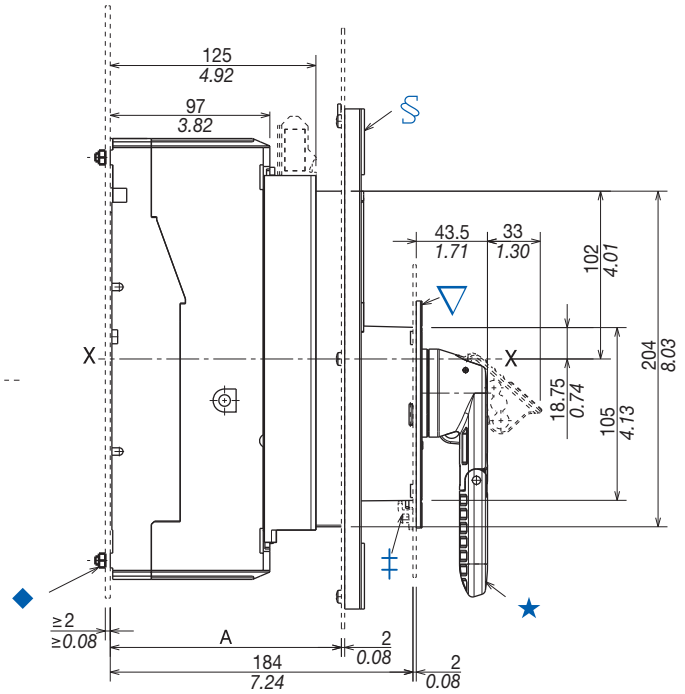
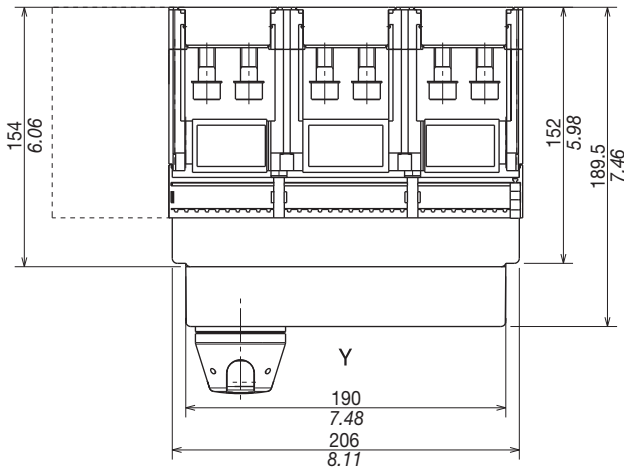
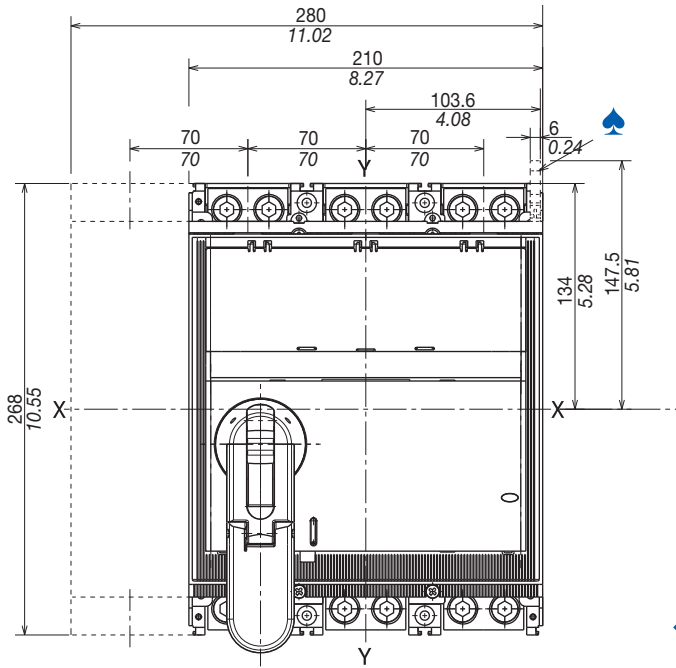
- ★ Extended terminals
- ▽ Required 100 mm insulating phase barriers provided
- ♣ Tightening torque: 18 N•m
- & Required insulating plate provided for molded case circuit breaker

Cat. Nos. 140G-N-EXSL13 Top (3-Pole), 140G-N-EXS4 (4-Pole) Rear Spread Terminals



- ‡ Extended spread terminals
- # Required 200 mm insulating phase barriers provided
- ♣ Tightening torque: 18 N•m
- § Terminal for auxiliary contacts
- & Required insulating plate provided for molded case circuit breaker

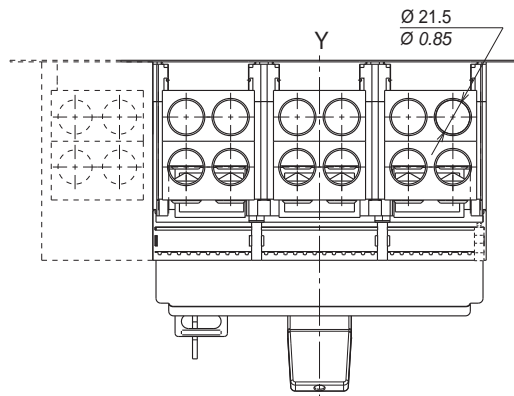
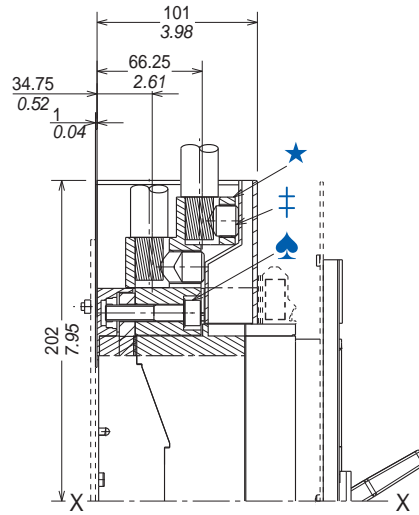
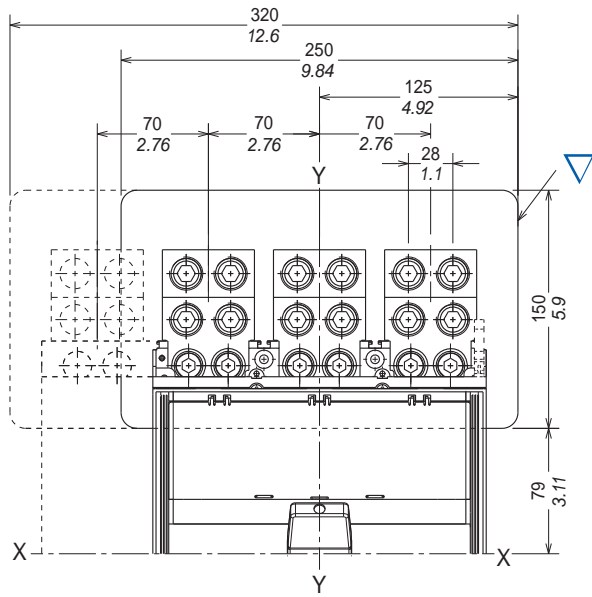
Cat. No. 140G-N-RMB, -RMY Rotary Handle Operating Mechanism



Description	A
With flange	125...141
Without flange	147

- ★ Rotary handle operating mechanism on molded case circuit breaker
- ‡ Compartment door interlock
- § Door flange
- ◆ Tightening torque: 2.5 N•m
- ♣ Terminal for auxiliary contacts
- ∇ Reduced flange of rotary handle for door (optional)

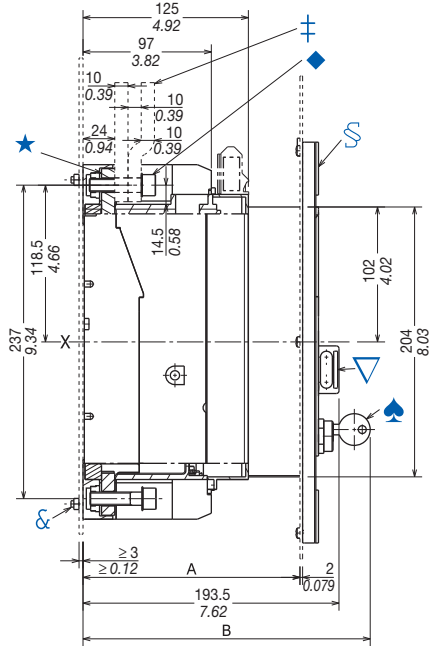
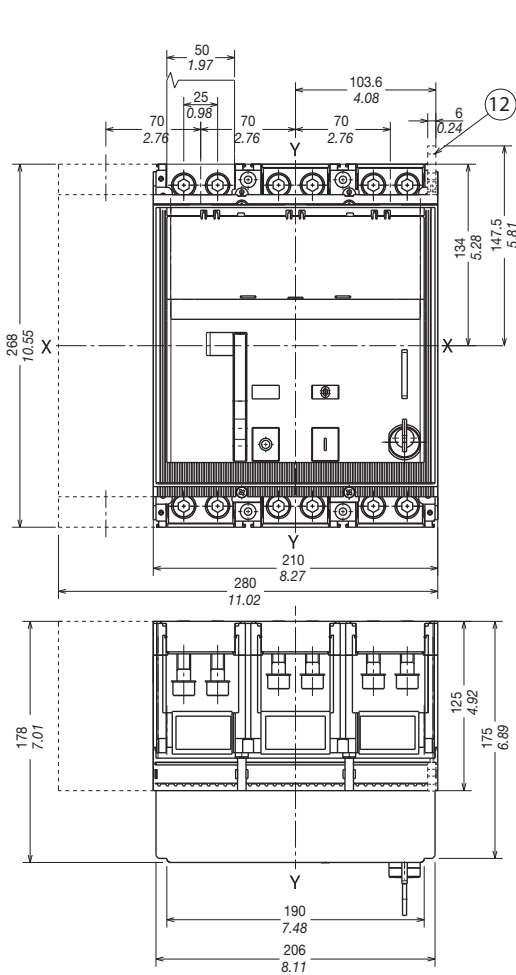
Cat. No. 140G-N-TLA43, -TLA44, -TLC43, -TLC44 Terminals



- ★ Terminal lugs for cables
- ‡ Tightening torque: 43 N•m
- ▲ Tightening torque: 18 N•m
- ▽ Required insulating plate provided for molded case circuit breaker

Dimensions are in millimeters (inches). Dimensions are not intended to be used for manufacturing purposes.

Panel Mounted Molded Case Circuit Breaker



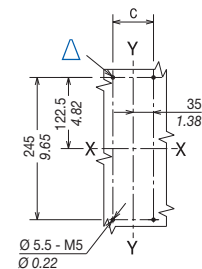
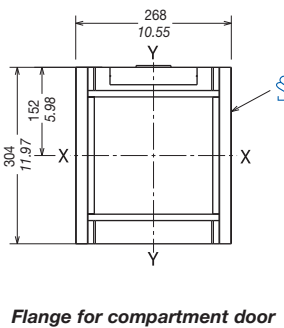
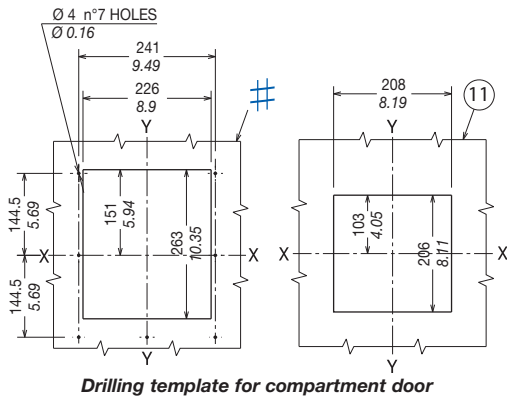
Description	A
With flange	125...184 (4.92...7.24)
Without flange	170 (6.7)

Description	B
Standard	208 (8.19)

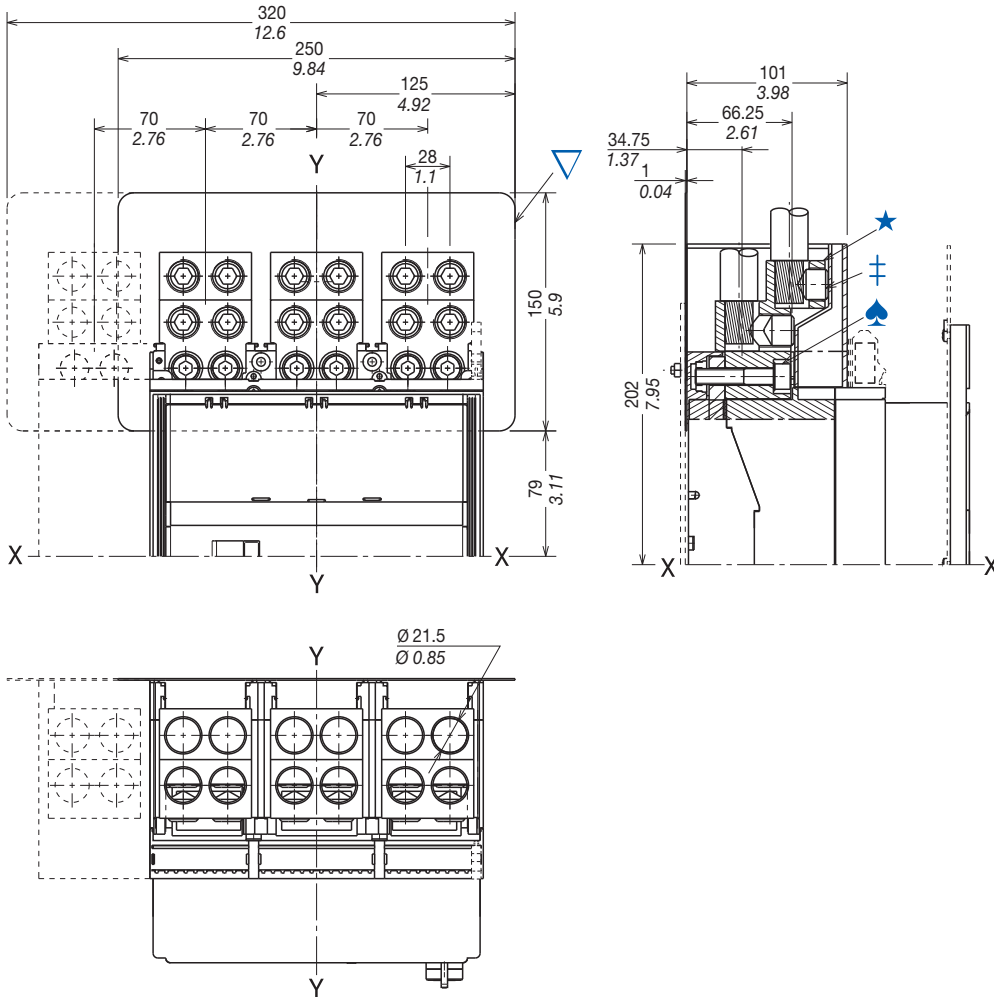
No. of Poles	C
3	70 (2.76)
4	140 (5.51)

- ★ Front terminals for busbar connection
- ‡ Busbars
- § Door flange
- △ Drilling template for fixing onto mounting plate
- ◆ Tightening torque: 18 N•m
- ▲ Key lock (optional)
- ▽ Padlock (optional)
- & Tightening torque: 2.5 N•m
- # Compartment door with flange sheet drilling
- 11 Compartment door without flange sheet drilling
- 12 Terminal for auxiliary contacts

Drilling Templates for Molded Case Circuit Breaker Mounting

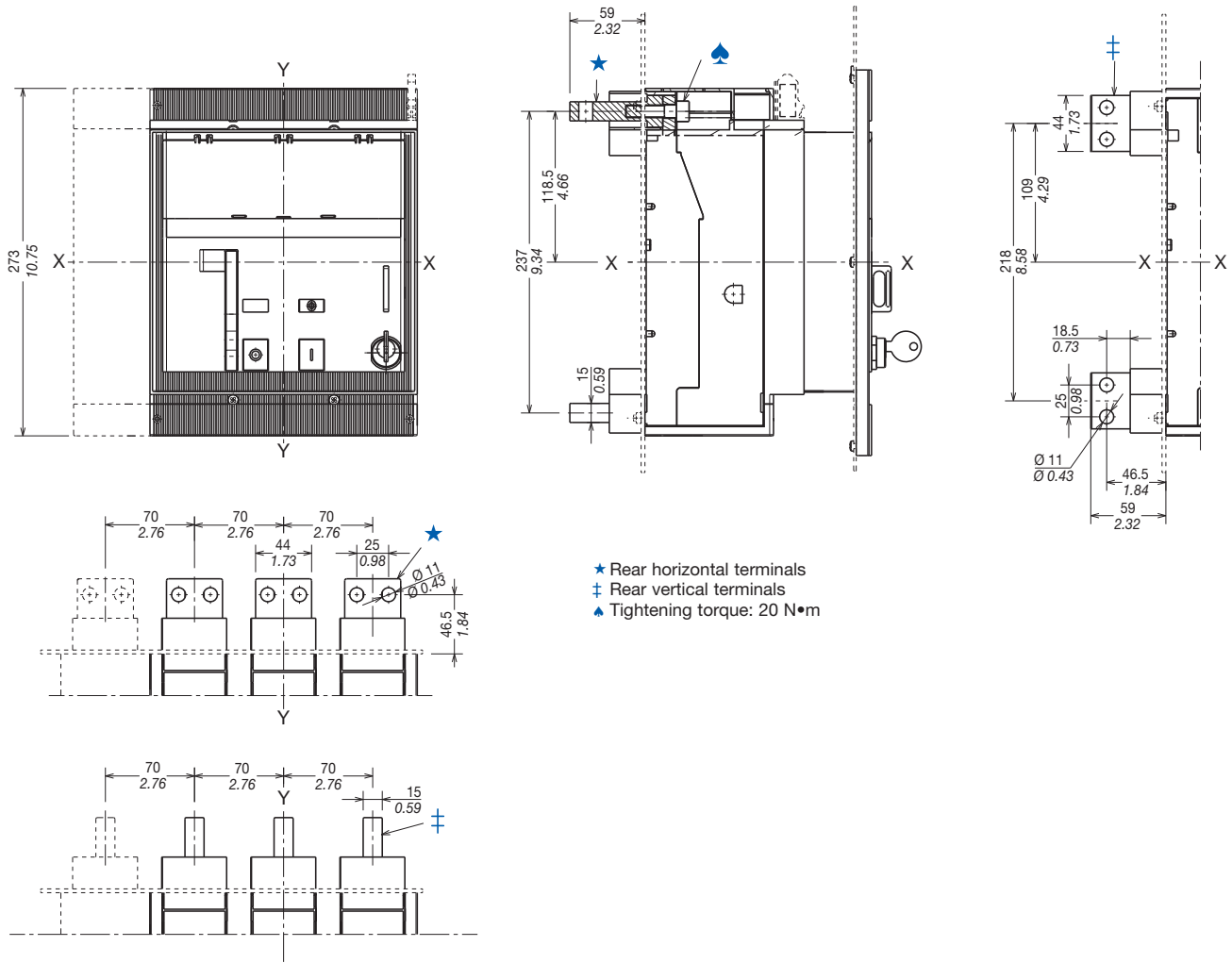


Cat. Nos. 140G-N-TLA63, -TLA64, -TLC63, -TLC64 Terminals

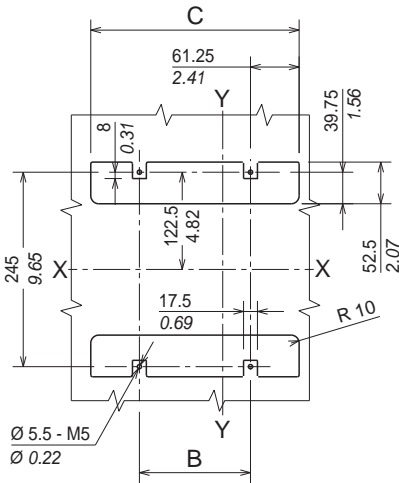


- ★ Front terminals for cables
- ‡ Tightening torque: 43 N•m
- ♣ Tightening torque: 18 N•m
- ▽ Required insulating plates provided for molded case circuit breaker

Cat. Nos. 140G-N-TLV3, -TLV4, -TLH3, -TLH4 Rear Terminals

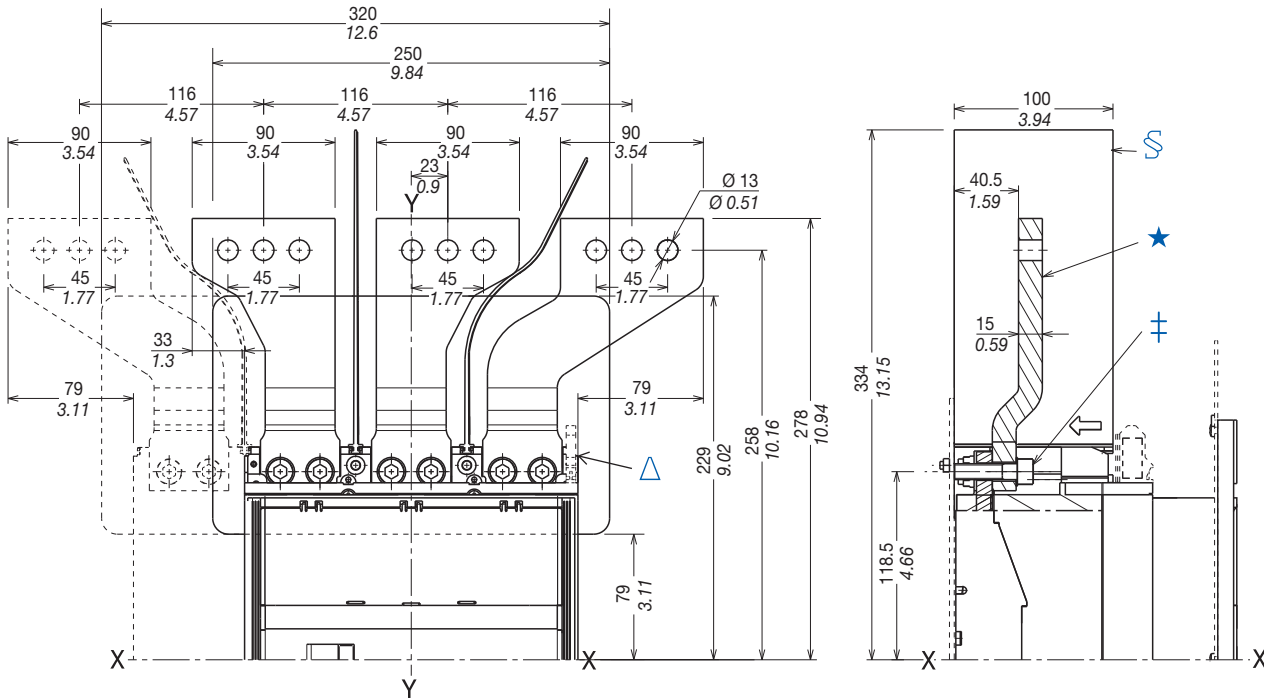


Drilling template for mounting plate



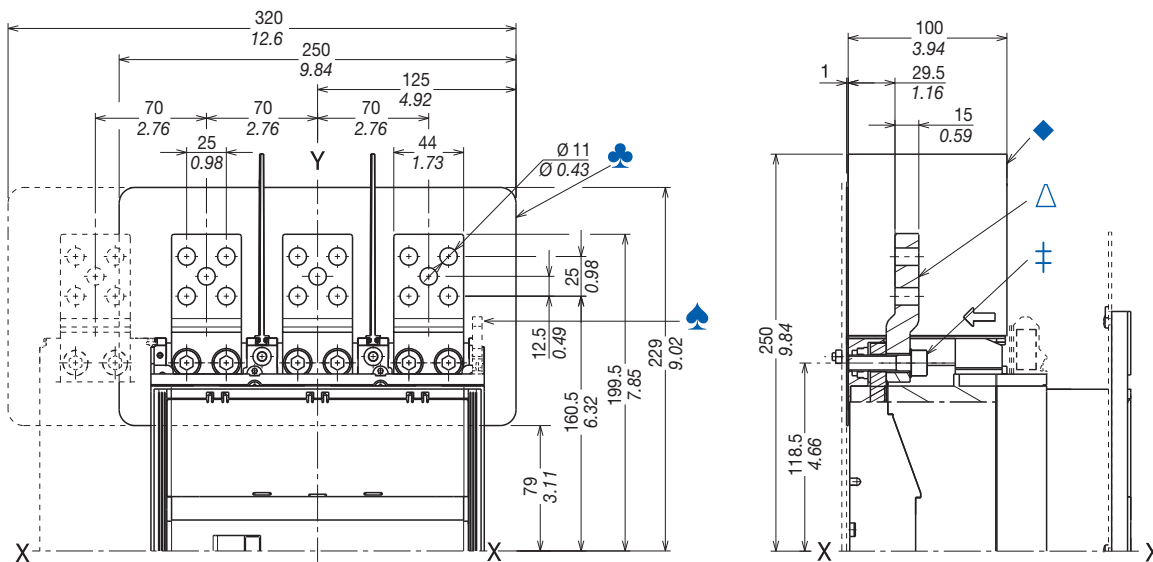
No. of Poles	B	C
3	70 (2.76)	192.5 (7.58)
4	140 (5.51)	262.5 (10.33)

Cat. No. 140G-N-EXSLI3, -EXSL03, -EXS4 Extended Front Spreader Terminals



- ★ Extended spread terminals
- ‡ Tightening torque: 18 N•m
- § Required 200 mm insulating phase barriers provided
- △ Required insulating plate provided

Cat. Nos. 140G-N-EXT3, -EXT4 Extended Front Terminals



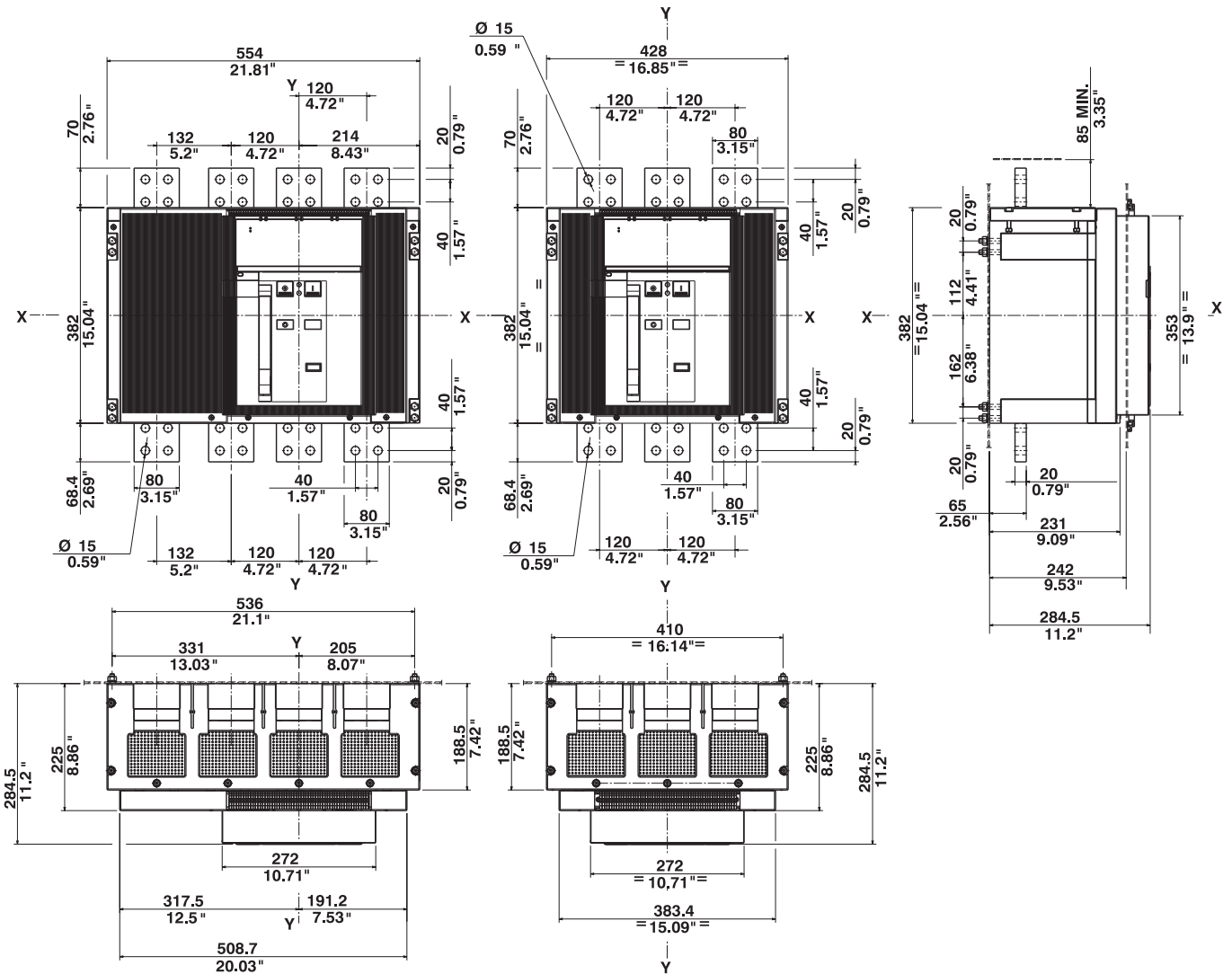
- ‡ Tightening torque: 18 N•m
- ♣ Required insulating plate provided
- △ Extended terminals
- ◆ Required 100 mm insulating phase barriers provided
- ♠ Terminal for auxiliary contacts

Approximate Dimensions—2000...3000 A, R-Frame Bulletin 140G Molded Case Circuit Breaker Specifications

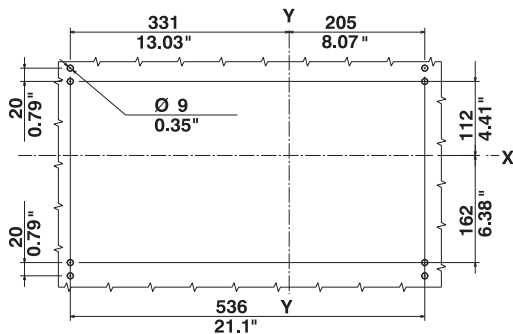
Dimensions are in millimeters (*inches*). Dimensions are not intended to be used for manufacturing purposes.

Panel Mounted Breakers

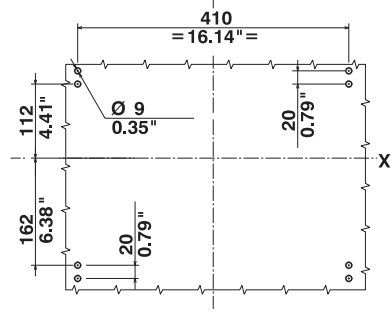
2500 A Breakers



Drilling Templates



Mounting Plate
(4 Poles)



Mounting Plate
(3 Poles)

Important User Information

Read this document and the documents listed in the additional resources section about installation, configuration, and operation of this equipment before you install, configure, operate, or maintain this product. Users are required to familiarize themselves with installation and wiring instructions in addition to requirements of all applicable codes, laws, and standards.

Activities including installation, adjustments, putting into service, use, assembly, disassembly, and maintenance are required to be carried out by suitably trained personnel in accordance with applicable code of practice.

If this equipment is used in a manner not specified by the manufacturer, the protection provided by the equipment may be impaired.

In no event will Rockwell Automation, Inc. be responsible or liable for indirect or consequential damages resulting from the use or application of this equipment.

The examples and diagrams in this manual are included solely for illustrative purposes. Because of the many variables and requirements associated with any particular installation, Rockwell Automation, Inc. cannot assume responsibility or liability for actual use based on the examples and diagrams.

No patent liability is assumed by Rockwell Automation, Inc. with respect to use of information, circuits, equipment, or software described in this manual.

Reproduction of the contents of this manual, in whole or in part, without written permission of Rockwell Automation, Inc., is prohibited.

Documentation Feedback

Your comments will help us serve your documentation needs better. If you have any suggestions on how to improve this document, complete this form, publication [RA-DU002](#), available at <http://www.rockwellautomation.com/literature/>.

Allen-Bradley, Rockwell Software, Rockwell Automation, and LISTEN. THINK. SOLVE are trademarks of Rockwell Automation, Inc.
Trademarks not belonging to Rockwell Automation are property of their respective companies.

Rockwell Otomasyon Ticaret A.Ş., Kar Plaza İş Merkezi E Blok Kat:6 34752 İçerenköy, İstanbul, Tel: +90 (216) 5698400

www.rockwellautomation.com

Power, Control and Information Solutions Headquarters

Americas: Rockwell Automation, 1201 South Second Street, Milwaukee, WI 53204-2496 USA, Tel: (1) 414.382.2000, Fax: (1) 414.382.4444
Europe/Middle East/Africa: Rockwell Automation NV, Pegasus Park, De Kleetlaan 12a, 1831 Diegem, Belgium, Tel: (32) 2 663 0600, Fax: (32) 2 663 0640
Asia Pacific: Rockwell Automation, Level 14, Core F, Cyberport 3, 100 Cyberport Road, Hong Kong, Tel: (852) 2887 4788, Fax: (852) 2508 1846