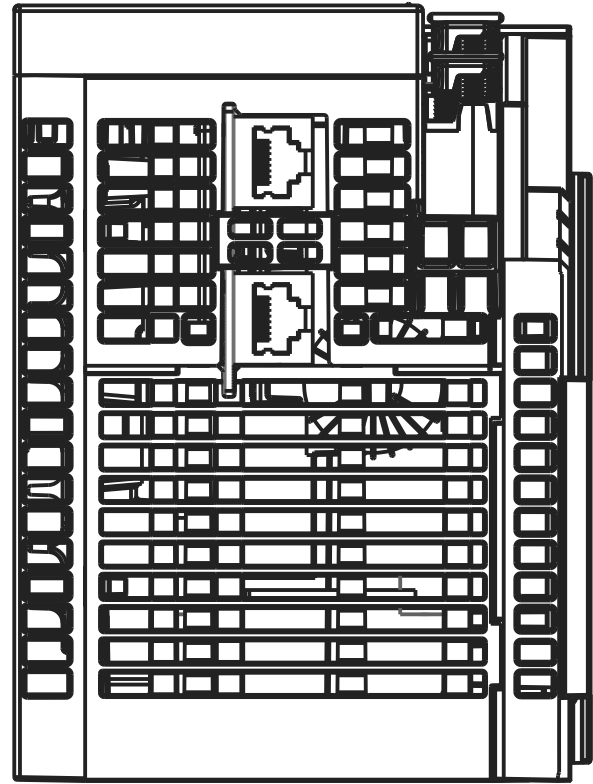
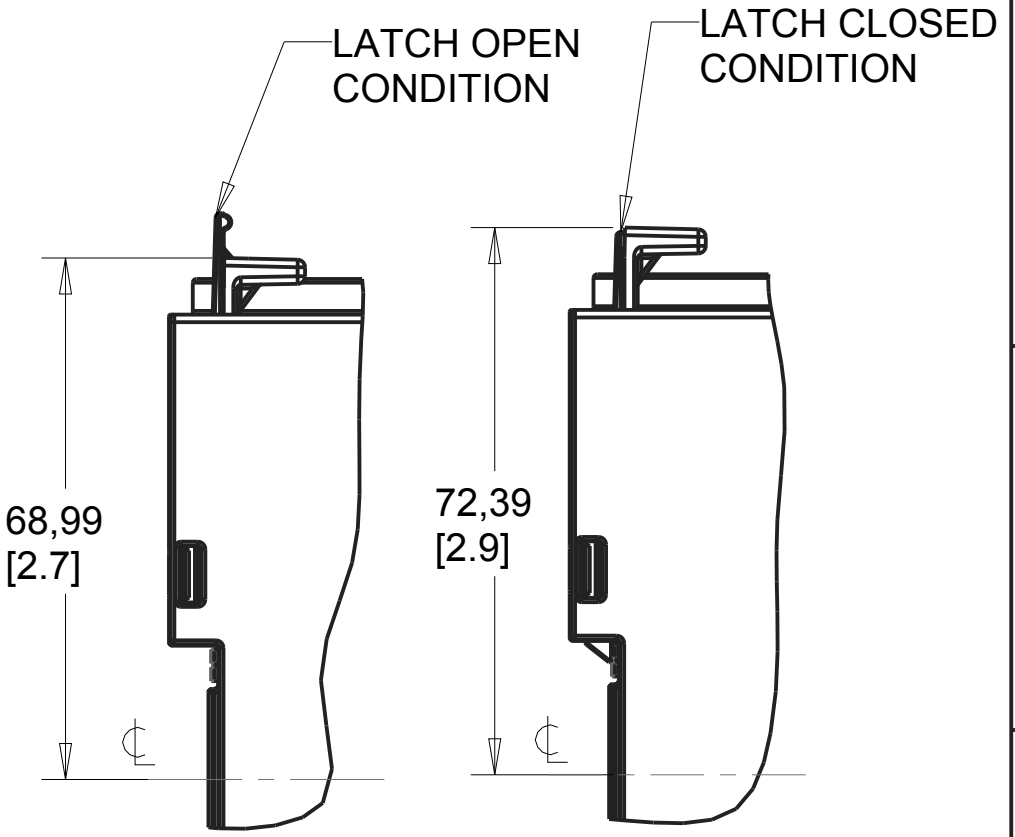
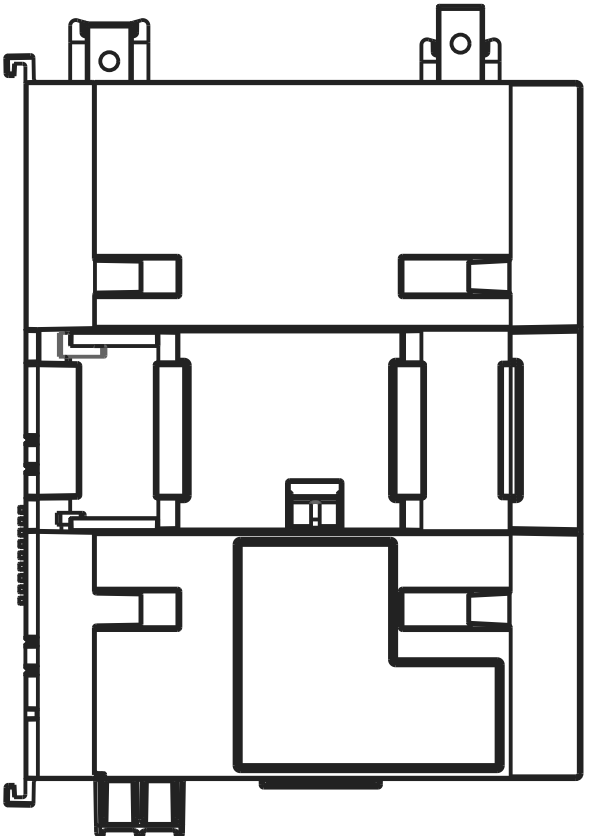
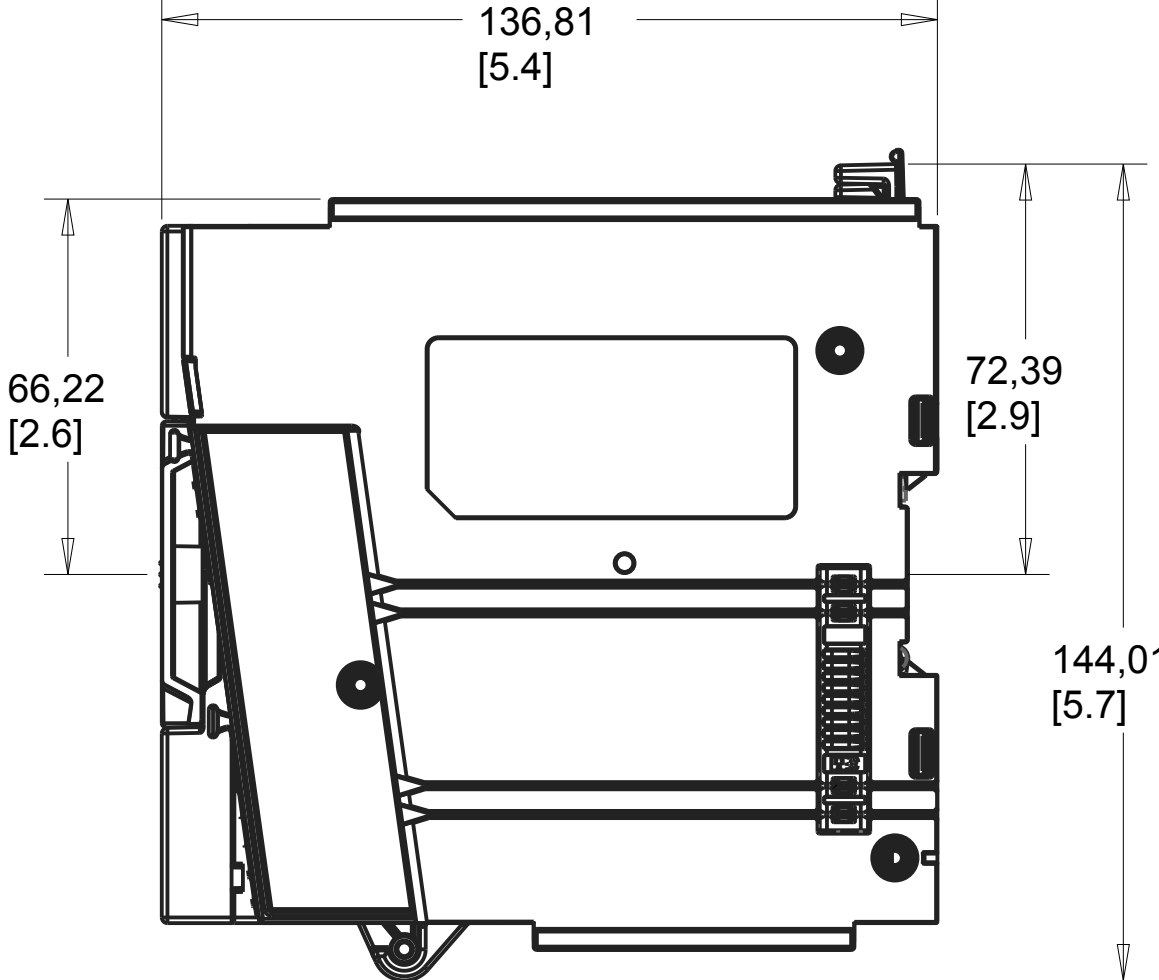
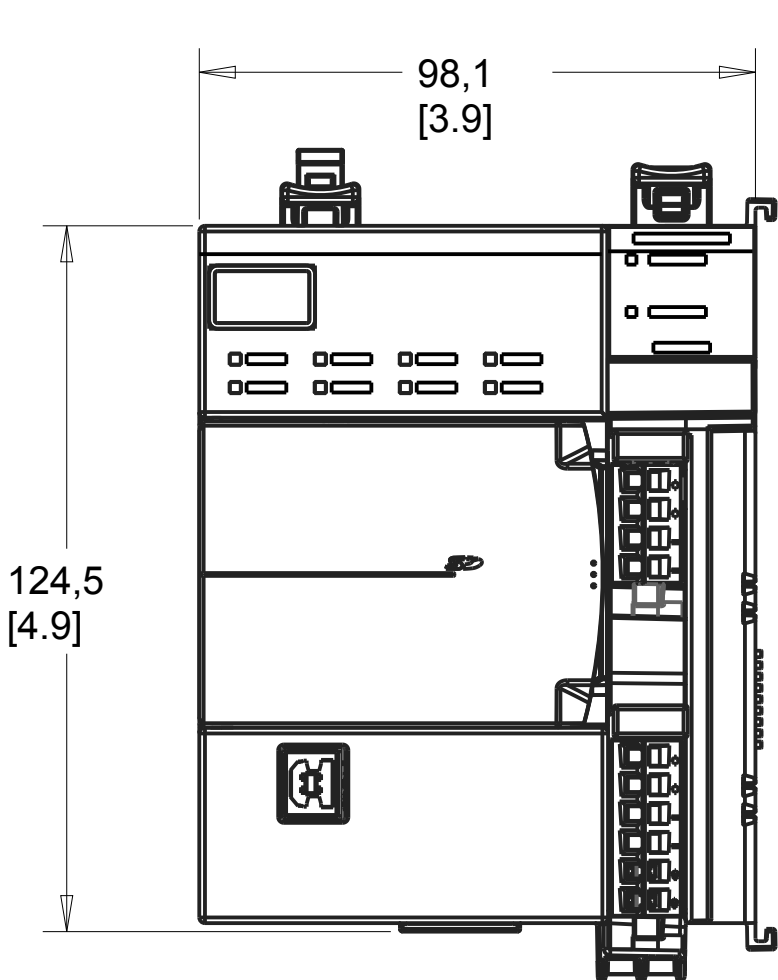
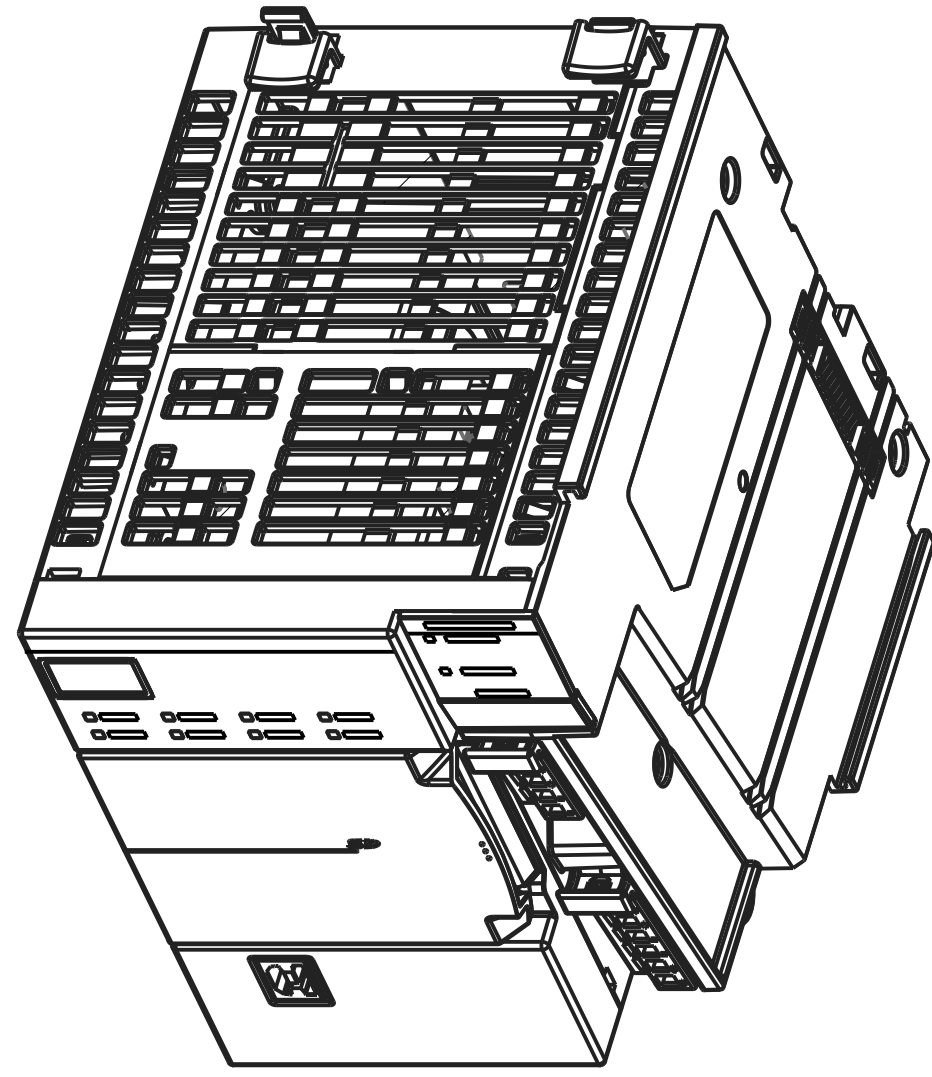
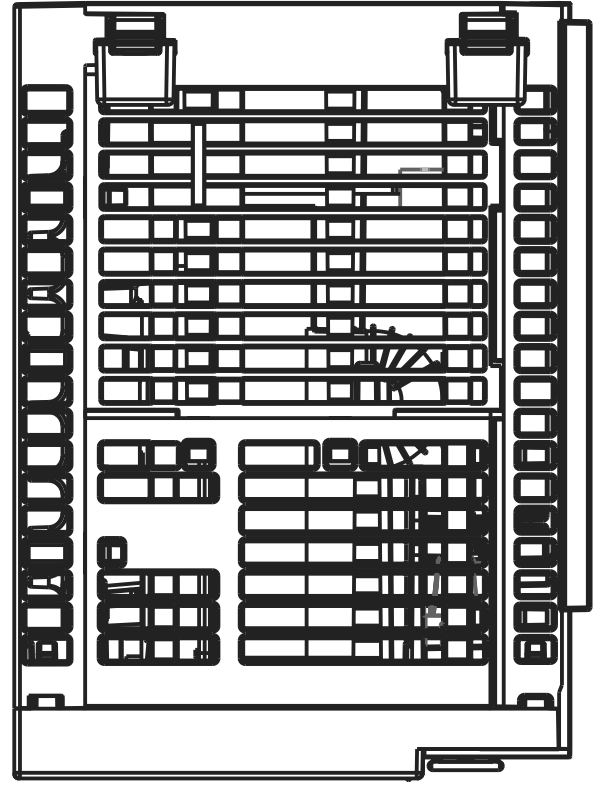


1 2 3 4 5 6 7 8

A
B
C
D
E
F
G
H



Rockwell Automation		CONFIDENTIAL AND PROPRIETARY INFORMATION. THIS DOCUMENT CONTAINS CONFIDENTIAL AND PROPRIETARY INFORMATION OF ROCKWELL AUTOMATION, INC. AND MAY NOT BE USED, COPIED OR DISCLOSED TO OTHERS, EXCEPT WITH THE AUTHORIZED WRITTEN PERMISSION OF ROCKWELL AUTOMATION, INC.	
5069 AENTR ENVELOPE DRAWING		Sheet 1 Of 1	
Drawn by: YBHAT	Date: SEP-09-2014	Size C	Ver 00
		10001306581	