

Rittal – The System.

Faster – better – everywhere.

Plastic enclosures AX

Added durability



ENCLOSURES

POWER DISTRIBUTION

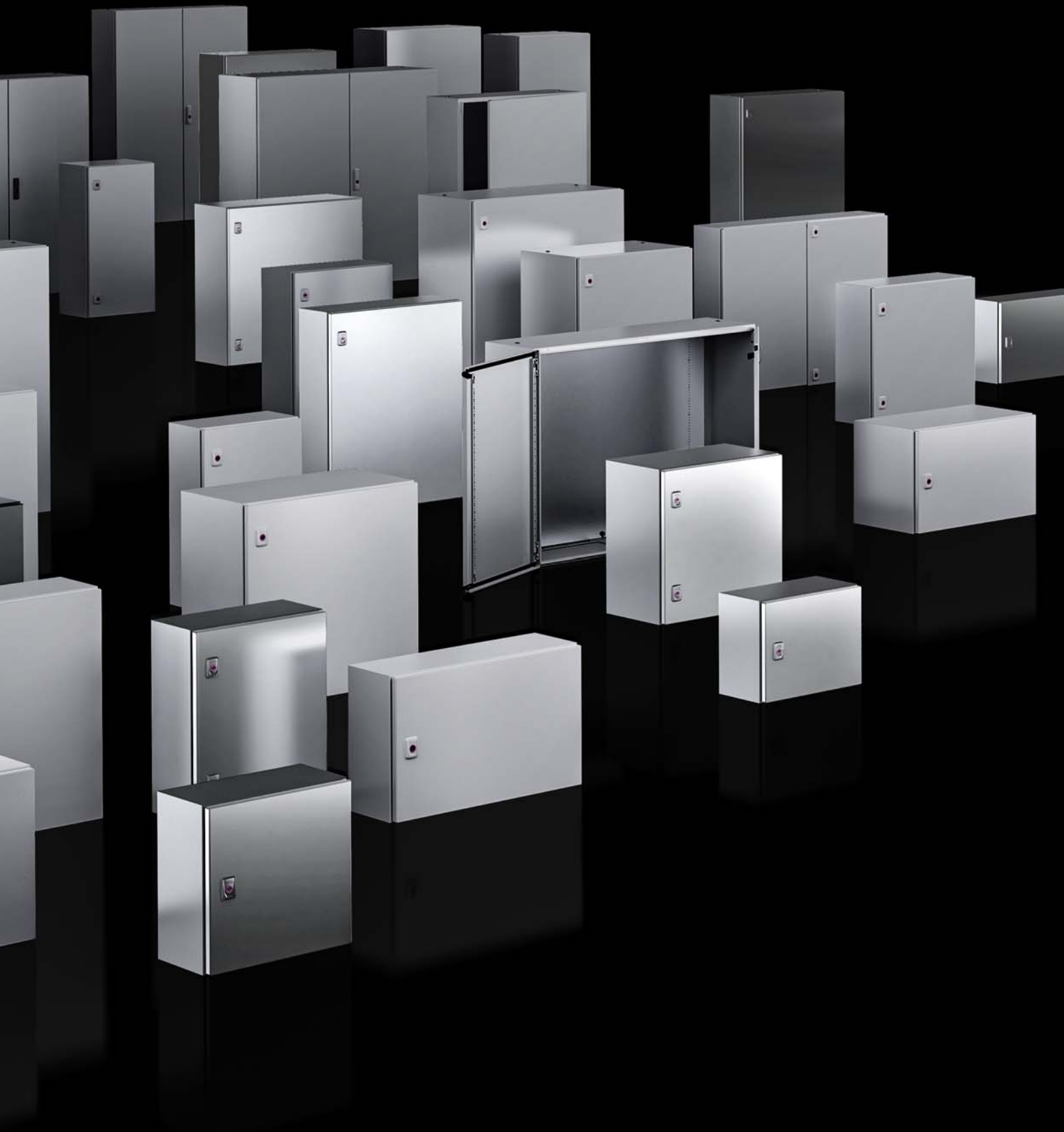
CLIMATE CONTROL

IT INFRASTRUCTURE

SOFTWARE & SERVICES



FRIEDHELM LOH GROUP



ENCLOSURES

POWER DISTRIBUTION

CLIMATE CONTROL

AX. System perfection.

After more than 30 years, Rittal is revolutionising the field of plastic enclosures and complementing its AX series of sheet steel and stainless steel enclosures. With the plastic enclosure AX, Rittal has now combined the benefits of a sophisticated system technology with those of an extremely robust material to produce a unique enclosure series.

The new plastic enclosure AX stands for maximum simplification, speed and configuration freedom, while at the same time meeting the highest demands in terms of safety and robustness. Whether in the workshop or outdoors exposed to the elements – the plastic enclosure AX weathers all extremes.

The AX enclosure series defines the standards for Industry 4.0-compliant enclosure manufacture.



IT INFRASTRUCTURE

SOFTWARE & SERVICES







Enclosure

- 14 different enclosure variants, with or without viewing panel
- Symmetrical layout means the enclosure is easily rotated through 180°
- Double seal with an integral rain protection strip on the top and bottom edge of the door to protect the seal from dust and rainwater
- Fibreglass-reinforced plastic with a high level of UV resistance

Siting

- Wall mounting brackets are easily secured from the outside while retaining the UL approval
- The pole clamp may be screw-fastened directly into the external threaded inserts
- Ideally suited for outdoor applications

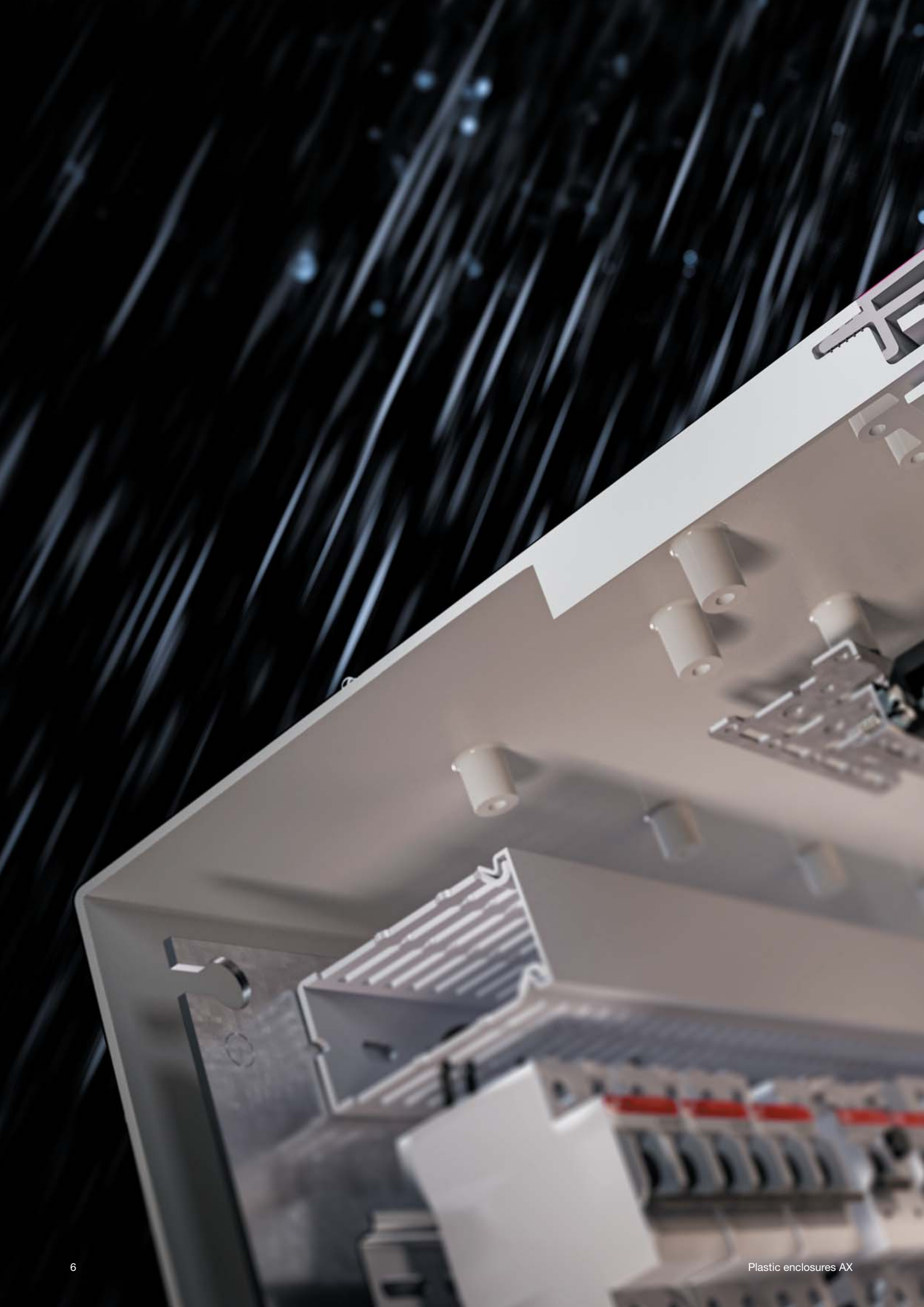
Mounting plate

- The mounting plate is easily screw-fastened onto the pre-assembled bolts from the front
- Simple earthing of the mounting plate, even retrospectively, using machined keyholes
- With pitch pattern markings for faster component positioning

Interior installation

- Numerous mounting bosses for individual interior installation
- Interior installation on a 25 mm pitch pattern with universal bracket for mounting punched sections and rails
- Direct door installation with support strips and punched sections with mounting flanges 14 x 39 mm, for use as an additional mounting surface
- Door-operated switches may be attached directly to the mounting bosses





Door installation

- Direct use of the door surfaces as additional component mounting space
- Compatibility with Rittal system accessories enables punched sections, rails, wiring plan pockets, etc. to be fitted directly to the inside of the door
- Simple mounting of a door stay without additional machining to secure the door in the open position
- The integrated runners at the top and bottom of the door ensure a precise fit even where heavy components are installed and thus safeguard the specified protection rating

Safety

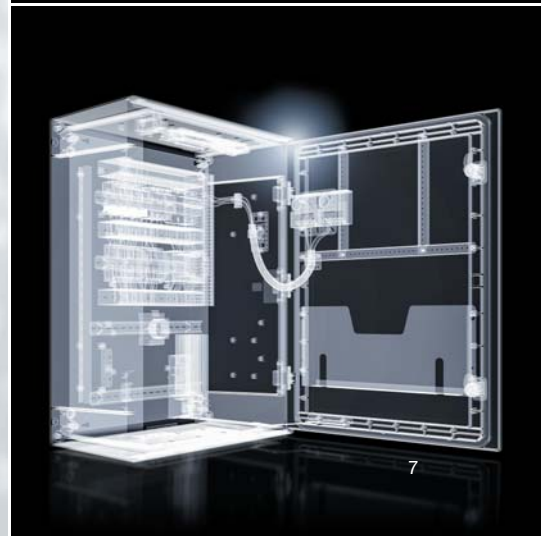
- High level of safety for people and installed equipment
- UL F1 outdoor rating (UL 746C) thanks to 7 times higher UV resistance
- UL approval for industrial enclosures (508A)
- Fire protection corresponding to UL 94 V-0
- Smart enclosure design permits interior installation without impairment of the encapsulated space, i.e.
 - retaining the high protection category up to IP 66/NEMA 4X
 - retaining protection class II

Rittal Configuration System

- Simple selection of enclosures and suitable accessories
- Automatic generation of CAD data and Eplan macros for the completed enclosure during the configuration process
- Direct ordering

Engineering

- Rittal's customers are supported by a wealth of conversion and planning tools in the automated production process and when working with a virtual prototype:
 - EPLAN Pro Panel data
 - 2D/3D CAD data
 - ecl@ss Advanced data
 - Technical documentation
 - Data for planners
 - "How-to" video



Plastic enclosures AX



Material:

- Enclosure and door: Fibreglass-reinforced unsaturated polyester
- Fire protection corresponding to UL 94 V-0
- Door: All-round foamed-in PU seal
- Mounting plate: Sheet steel

Surface finish:

- Enclosure and door: Dyed plastic with no after-treatment
- Mounting plate: Zinc-plated

Colour:

- Similar to RAL 7035

Protection class:

- II at 1000 V AC

Protection category IP to IEC 60 529:

- IP 66

Protection category NEMA:

- NEMA 4X

Supply includes:

- Enclosure with hinged door, of all-round solid construction, 3 mm double-bit lock
- Door hinged on the right, may be swapped to the left
- Mounting plate
- Twin seal on the top and bottom edges of the door as integral rain protection strip

Please note the product-specific scope of supply.

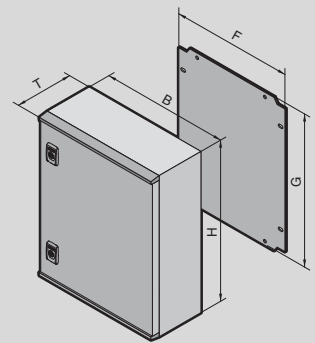
Note:

- Interior installation screws are required to secure components inside the enclosure
- Components such as punched sections with mounting flanges may be attached on a 25 mm pitch pattern using the universal bracket

Approvals:

- UL
- cUL

Further approvals can be found on the Internet.



without viewing window

	Packs of	250	300	400	400	500	600	600	800	Page
Width (B) mm										
Height (H) mm		350	400	400	600	500	600	800	1000	
Depth (T) mm		150	200	200	200	300	200	300	300	
Mounting plate width (F) mm		155	205	305	305	405	505	505	705	
Mounting plate height (G) mm		275	325	325	525	425	525	725	925	
Mounting plate thickness mm		2.5	2.5	2.5	3.0	3.0	3.0	3.0	3.0	
Model No.	1 pc(s).	1432.000	1434.000	1444.000	1446.000	1453.000	1466.000	1468.000	1480.000	
Weight kg		4.4	6.3	7.8	11.1	13.1	15.5	22.4	34.2	
Product-specific scope of supply										
Cam lock		1	2	2	2	2	2	2	3	
Accessories										
Wall mounting bracket	4 pc(s).	1485.400	1485.400	1485.400	1485.400	1485.400	1485.400	1485.400	1485.400	10
Pole clamp	2 pc(s).	2584.100	2584.100	2584.100	2584.100	2584.100	2584.100	2584.100	–	11
Universal bracket	4 pc(s).	1485.200	1485.200	1485.200	1485.200	1485.200	1485.200	1485.200	1485.200	11
Door stay	2 pc(s).	1485.100	1485.100	1485.100	1485.100	1485.100	1485.100	1485.100	1485.100	12
LED system light		–	–	2500.100	2500.100	2500.100	2500.100	2500.110	2500.110	15
Mini-comfort handle AX	1 pc(s).	1485.600	1485.600	1485.600	1485.600	1485.600	1485.600	1485.600	1485.600	10
Cable gland		see page	see page	see page	see page	see page	see page	see page	see page	13
Screw for interior installation	50 pc(s).	1485.300	1485.300	1485.300	1485.300	1485.300	1485.300	1485.300	1485.300	11
Wiring plan pocket	1 pc(s).	–	–	–	–	–	–	4116.500	4118.500	13
Punched section with mounting flange 23 x 64 mm, installation in the height	4 pc(s).	–	8617.110	8617.110	8617.130	8617.120	8617.130	8617.140	8617.150	14
Punched section with mounting flange 23 x 64 mm, installation in the width		–	–	8617.110	8617.110	8617.120	8617.130	8617.130	8617.140	
Support strips, installation in the door	20 pc(s).	–	–	4594.000	4594.000	4309.000	4596.000	4596.000	4598.000	12
Punched section with mounting flange 14 x 39 mm, installation in the door	4 pc(s).	–	–	8619.700	8619.700	8619.710	8619.720	8619.720	8619.730	12



Material:

- Enclosure and door: Fibreglass-reinforced unsaturated polyester
- Fire protection corresponding to UL 94 V-0
- Door: All-round foamed-in PU seal
- Mounting plate: Sheet steel
- Viewing window: Polycarbonate

Surface finish:

- Enclosure and door: Dyed plastic with no after-treatment
- Mounting plate: Zinc-plated

Colour:

- Similar to RAL 7035

Protection class:

- II at 1000 V AC

Protection category IP to IEC 60 529:

- IP 56

Protection category NEMA:

- NEMA 12

Supply includes:

- Enclosure with hinged door with viewing window, of all-round solid construction, 3 mm double-bit lock
- Door hinged on the right, may be swapped to the left
- Mounting plate
- Twin seal on the top and bottom edges of the door as integral rain protection strip

Please note the product-specific scope of supply.

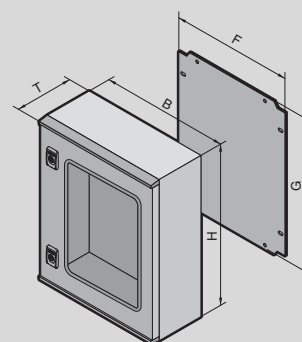
Note:

- Interior installation screws are required to secure components inside the enclosure
- Components such as punched sections with mounting flanges may be attached on a 25 mm pitch pattern using the universal bracket

Approvals:

- UL
- cUL

Further approvals can be found on the Internet.



with viewing window

Width (B) mm	Packs of	400	400	500	600	600	800	Page
Height (H) mm		400	600	500	600	800	1000	
Depth (T) mm		200	200	300	200	300	300	
Mounting plate width (F) mm		305	305	405	505	505	705	
Mounting plate height (G) mm		325	525	425	525	725	925	
Mounting plate thickness mm		2.5	3.0	3.0	3.0	3.0	3.0	
Model No.	1 pc(s).	1448.000	1449.000	1454.000	1467.000	1469.000	1479.000	
Weight kg		7.7	10.9	12.9	15.2	21.9	33.2	
Product-specific scope of supply								
Cam lock		2	2	2	2	2	3	
Accessories								
Wall mounting bracket	4 pc(s).	1485.400	1485.400	1485.400	1485.400	1485.400	1485.400	10
Pole clamp	2 pc(s).	2584.100	2584.100	2584.100	2584.100	2584.100	–	11
Universal bracket	4 pc(s).	1485.200	1485.200	1485.200	1485.200	1485.200	1485.200	11
Door stay	2 pc(s).	1485.100	1485.100	1485.100	1485.100	1485.100	1485.100	12
LED system light		2500.100	2500.100	2500.100	2500.100	2500.110	2500.110	15
Mini-comfort handle AX	1 pc(s).	1485.600	1485.600	1485.600	1485.600	1485.600	1485.600	10
Cable gland		see page	see page	see page	see page	see page	see page	13
Screw for interior installation	50 pc(s).	1485.300	1485.300	1485.300	1485.300	1485.300	1485.300	11
Wiring plan pocket	1 pc(s).	–	–	–	4116.500	4116.500	4118.500	13
Punched section with mounting flange 23 x 64 mm, installation in the height	4 pc(s).	8617.110	8617.130	8617.120	8617.130	8617.140	8617.150	14
Punched section with mounting flange 23 x 64 mm, installation in the width		8617.110	8617.110	8617.120	8617.130	8617.130	8617.140	
Support strips, installation in the door	20 pc(s).	4594.000	4594.000	4309.000	4596.000	4596.000	4598.000	12
Punched section with mounting flange 14 x 39 mm, installation in the door	4 pc(s).	8619.700	8619.700	8619.710	8619.720	8619.720	8619.730	12

Plastic enclosures AX

Accessories



Mini-comfort handle AX

for AX plastic

The lock is opened by swivelling the unlocked handle.

Prepared for the installation of lock inserts or for the installation of standard commercially available 40 or 45 mm profile half-cylinders, as well as lock and push-button inserts.

Protection category IP to IEC 60 529:

- IP 66 (in conjunction with AX plastic without viewing window)

Protection category NEMA:

- NEMA 4 (in conjunction with AX plastic without viewing window)



Packs of	Model No.
1 pc(s).	1485.600

Lock inserts, type A

7 mm square	2460.000
8 mm square	2461.000
7 mm triangular	2462.000
8 mm triangular	2463.000
Screwdriver	2464.000
Daimler insert	2465.000
3 mm double-bit	2466.000
Fiat	2307.000
6.5 mm triangular	2460.650

Lock and push-button inserts

Lock insert, lock no. 3524 E ¹⁾	2467.000
Push-button insert	2468.000
Push-button and lock insert ¹⁾	2469.000 ²⁾

Profile half-cylinders

to DIN 18 252 ³⁾	9785.040 ⁵⁾
	9785.042 ⁴⁾

¹⁾ With 2 keys.

²⁾ Lock no. 2123; no other lock is possible

³⁾ With 3 keys for each lock insert

⁴⁾ Packs of two, simultaneous locking within the same pack, no simultaneous locking for different packs

⁵⁾ Lock-specific key



Wall mounting bracket

for AX plastic

For attachment to the wall, only possible from the outside of the enclosure.

Material:

- Fibreglass-reinforced polyamide¹⁾

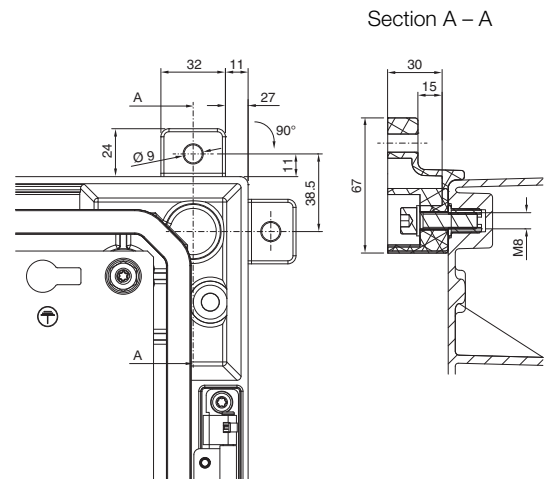
Supply includes:

- Assembly parts for mounting on the enclosure



Colour	Packs of	Model No.
RAL 7035	4 pc(s).	1485.400
RAL 9011	4 pc(s).	1485.500¹⁾

¹⁾ With graphite additive for Ex applications



Plastic enclosures AX

Accessories

Pole clamp

for AX, KX, AX plastic, AX IT

For reliable, convenient fastening to round or square poles.

For pole diameter / size:

- Ø from 40 to 170 mm
- □ from 50 to 150 mm

Material:

- Mounting angles, clamping section: Sheet steel
- Clamping strap: Stainless steel 1.4301 (AISI 304)

Surface finish:

- Mounting angle, clamping section: Zinc-plated

Supply includes:

- 2 mounting angles, 600 mm long
- 4 clamping sections
- 2 clamping straps
- 4 clamping brackets
- Assembly parts

Packs of	Model No.
2 pc(s).	2584.100



Universal bracket

for AX plastic and Ex enclosure, plastic

For the interior installation on a 25 mm pitch pattern of

- Punched sections with mounting flanges
- Door rails
- Support strips

Material:

- Sheet steel, zinc-plated

Supply includes:

- Assembly parts

Packs of	Model No.
4 pc(s).	1485.200



Screw for interior installation

for AX plastic

For mounting accessories on the mounting bosses of the enclosure frame.

Drive: Multi-tooth 25

Dimensions: 5 x 14 mm

Type of screw	Packs of	Model No.
Pan head screw, self-tapping	50 pc(s).	1485.300



Plastic enclosures AX

Accessories



Support strip

For attachment of

- Cable ducts
- Cable conduit holders
- Equipment installed on the door
- Cable clamping and attachment

4.5 mm diameter hole on a 25 mm DIN pitch pattern

Installation options:

- In AX plastic on mounting bosses in the door

Material:

- Sheet steel

Surface finish:

- Zinc-plated

Supply includes:

- Assembly parts

For door width mm	Distance between attachment points mm	Packs of	Model No.
400	275	20 pc(s).	4594.000
500	375	20 pc(s).	4309.000
600	475	20 pc(s).	4596.000
800	675	20 pc(s).	4598.000



Accessories:

- Screw for interior installation, see page 11



Punched section with mounting flange, 14 x 39 mm for door installation

For attachment of

- Cable ducts
- Cable conduit holders
- Equipment installed on the door, etc.

Installation options:

- In AX plastic on mounting bosses in the door

Material:

- Sheet steel

Surface finish:

- Zinc-plated

Supply includes:

- Assembly parts

For door width mm	Distance between attachment points mm	Packs of	Model No.
400	275	4 pc(s).	8619.700
500	375	4 pc(s).	8619.710
600	475	4 pc(s).	8619.720
800	675	4 pc(s).	8619.730



Accessories:

- Screw for interior installation, see page 11



Door stay AX

for AX plastic and Ex enclosure, plastic

To secure the door in the open position.

May be fitted without machining the enclosure.

Supply includes:

- Assembly parts

Installation options:

- Installation directly at the bottom right/top left
- When swapping the door hinge to the opposite side, the prefitted door stay is easily removed and re-installed

Assembly	Packs of	Model No.
Top/bottom	2 pc(s).	1485.100



Plastic enclosures AX

Accessories

Wiring plan pocket, sheet steel

For fastening to the mounting bosses in the door of AX plastic enclosures.

Colour:

- RAL 7035

D = 35 mm

To fit door width mm	Clearance opening mm		Model No.
	W	H	
600	455	210	4116.500
800	655	210	4118.500



Also required:

- Screw for interior installation, see page 11



Plastic wiring plan pocket

For adhering to surfaces.

Material:

- Polystyrene with self-adhesive fastening strips

Colour:

- Similar to RAL 7035

For format	Clearance opening mm			Model No.
	W	H	D	
A3 landscape	438	286	45	2513.000
A4 portrait	228	254	17	2514.000
A5 landscape	228	174	17	2515.000



Wiring plan pocket with transparent pouch

With welded-on transparent pouch and self-adhesive backing.

For format	Model No.
A4	2510.000
A3	2512.000



Cable gland, polyamide

Benefits:

- Because the gland and lock nut are sold together in a single pack, this saves additional ordering and storage
- Clamping membranes for even tightening and strain relief to protect the cables

Material:

- Polyamide 6
- Seal: CR

Colour:

- RAL 7035

Protection category IP to IEC 60 529:

- IP 68 (5 bar, 30 min.)

Approvals:

- VDE, UL, cUL, CSA

Size	Packs of	Model No.
M12 x 1.5	50 pc(s).	2411.601
M16 x 1.5	50 pc(s).	2411.611
M20 x 1.5	50 pc(s).	2411.621
M25 x 1.5	25 pc(s).	2411.631
M32 x 1.5	15 pc(s).	2411.641
M40 x 1.5	5 pc(s).	2411.651
M50 x 1.5	5 pc(s).	2411.661
M63 x 1.5	3 pc(s).	2411.671



Plastic enclosures AX

Accessories



Punched section with mounting flange, 23 x 64 mm

For variable and individual interior installation.

Installation options:

- AX plastic
- In the width and height of the enclosure in conjunction with universal bracket

Material:

- Sheet steel

Surface finish:

- Zinc-plated

Supply includes:

- Assembly parts

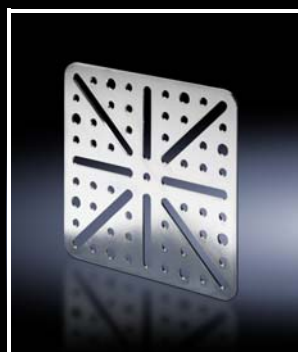
For enclosure width/height/depth mm	Packs of	Model No.
400	4 pc(s).	8617.110
500	4 pc(s).	8617.120
600	4 pc(s).	8617.130
800	4 pc(s).	8617.140
1000	4 pc(s).	8617.150

! Also required:

- For AX plastic:
Universal bracket 1485.200, see page 11

+ Accessories:

- Screw for interior installation, see page 11



Mounting plate

Screw-fastened, large

Installation options:

- For attachment to mounting bosses in the door and on enclosure surfaces inside AX plastic enclosures

Material:

- Sheet steel

Surface finish:

- Zinc-plated

Supply includes:

- Assembly screws

Packs of	Model No.
4 pc(s).	8612.410

+ Accessories:

- Screw for interior installation, see page 11



Mounting plate

Screw-fastened, small

Installation options:

- For attachment to mounting bosses in the door and on enclosure surfaces inside AX plastic enclosures

Material:

- Sheet steel

Surface finish:

- Zinc-plated

Supply includes:

- Assembly screws

Packs of	Model No.
4 pc(s).	4532.000

+ Accessories:

- Screw for interior installation, see page 11



Mounting bracket

Installation options:

- For attachment to mounting bosses in the door and on enclosure surfaces inside AX plastic enclosures

Material:

- Sheet steel

Surface finish:

- Zinc-plated

Supply includes:

- Assembly screws

Packs of	Model No.
4 pc(s).	4597.000

+ Accessories:

- Screw for interior installation, see page 11

Plastic enclosures AX

Accessories

LED system light

Material:

- Plastic
- Aluminium

Colour:

- Similar to RAL 7016

Protection class:

- II (all-insulated)

Light colour:

- 4000 K (neutral white)

Supply includes:

- Assembly screws



Also required:

- Connection accessories, see page 15
- Mounting bracket for interior installation, see page 15

Model No.	2500.100	2500.104	2500.110	2500.114
Output	400	400	600	600
Length (mm)	262	262	337	337
Rated operating voltage	100 – 240 V AC	100 – 240 V AC	100 – 240 V AC	100 – 240 V AC
Approvals	UL/cUL	-	■	-
	CSA	-	■	-
	CCC	■	■	■
	ENEC	■	■	■
Connection options	Infeed, 2-pole			
Accessories				
Mounting bracket for interior installation	6205.100	6205.100	6205.100	6205.100
Door-operated switch	2500.460	-	2500.460	-
Door-operated switch, UL	-	2500.470	-	2500.470
Connection accessories				
Infeed, 2-pole	2500.420	-	2500.420	-
Infeed, 2-pole, UL	-	2500.520	-	2500.520



Mounting bracket

for interior installation

For installing the LED system light in plastic enclosures AX.

Material:

- Sheet steel

Packs of	Model No.
4 pc(s).	6205.100

Surface finish:

- Zinc-plated

Supply includes:

- Assembly parts



Connection accessories

for LED system light

The following components can be used for time-saving, easy installation of the lights:

Connection cable for	ENEC	UL	Length mm	Packs of	Model No.
					orange
Infeed, 2-pole, 100 – 240 V AC	-	■	3000	1 pc(s).	2500.520
Infeed, 2-pole, 100 – 240 V AC	■	-	3000	5 pc(s).	2500.420



Door-operated switch

with connection cable for LED system light

Supply includes:

- Assembly parts

Connection cable	ENEC	UL	Length mm	To fit	Packs of	Model No.
						Black
Connection cable	■	-	800	230 V AC/ 24 V DC, 1 A	1 pc(s).	2500.460
	-	■	800			2500.470

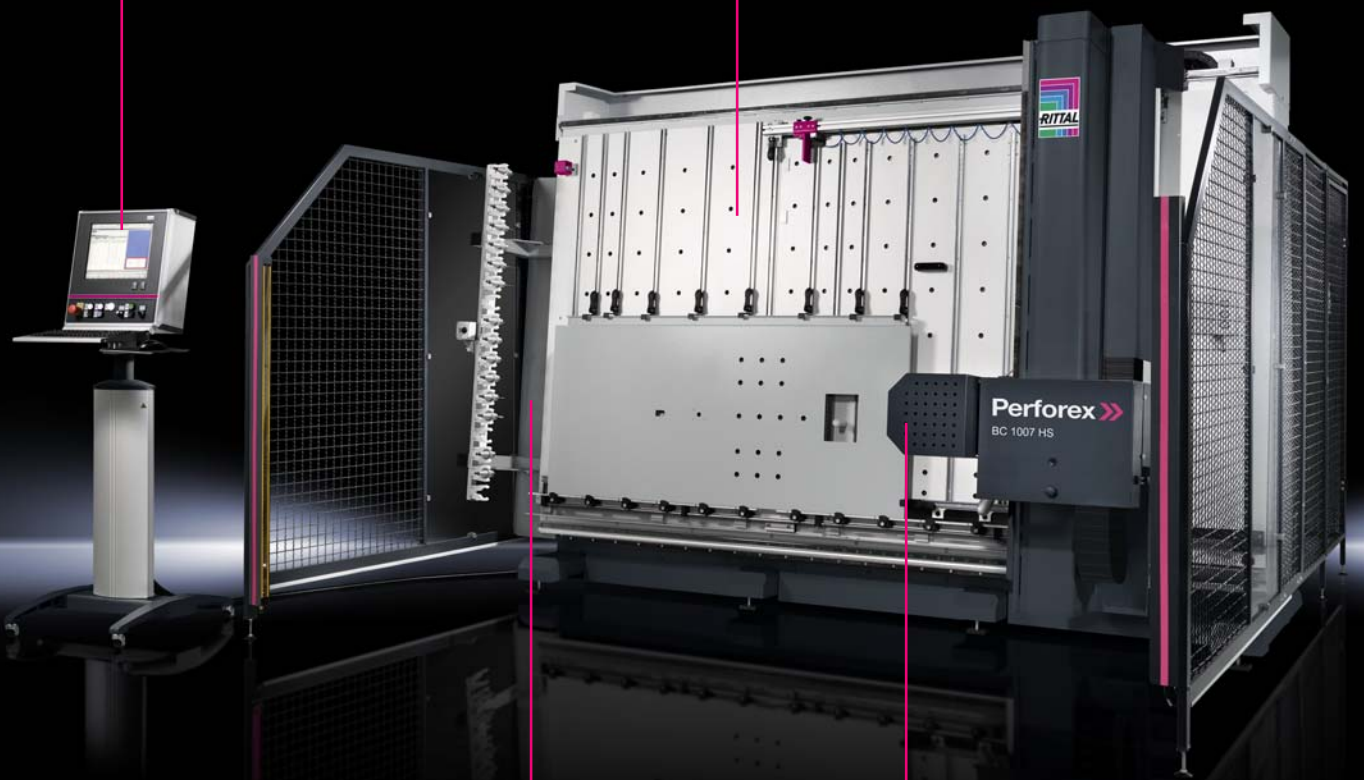


Milling centre Perforex BC

Perforex machining centres accelerate your throughput times when machining anything from the smallest enclosures and enclosure panels, right through to large enclosures. The drilling and milling centres in the Perforex BC series allow you to machine any material, including spray-finished sheet and stainless steel as well as aluminium, copper and the new AX plastic enclosure. The fully welded machine frame guarantees short throughput times with a consistently high machining quality plus fast, precise and reliable working.

- Convenient data import and further processing with interfaces to all common CAD systems (DXF import) or else direct data transfer from EPLAN Pro Panel
- Transfer of configuration data from the Rittal Configuration System (RiCS)

- Performance package for fast, low-vibration, noise-optimised milling



- Patented plate with integral swarf extraction system
- High-performance spindle including minimal quantity lubrication for drilling, milling and thread tapping

- Automated tool testing and changing
- DIN tools
- Pneumatic clamping device

Maximum protection for your equipment

Thanks to its 7 times greater UV resistance – confirmed by an F1 rating to UL 746C – alongside further benefits such as integrated rain protection strips or stable stainless steel hinges, the robust plastic enclosure of the AX enclosure series is predestined for outdoor applications and use in the toughest environments.



Maritime industry

Extreme ambient conditions place particular demands on the material and surface properties of an enclosure. The plastic enclosure offers corrosion protection and is resistant to UV radiation, salt and salty air.



Wastewater management

Especially in this field, enclosures are exposed to various damaging influences, for example aggressive vapours which can attack the material. The plastic enclosure offers optimum protection – in the same way as against wind, weather and UV radiation.



Railway technology

Thanks to its robust material and stable construction, the plastic enclosure withstands aggressive environments, dampness and all arising pressure/suction forces.



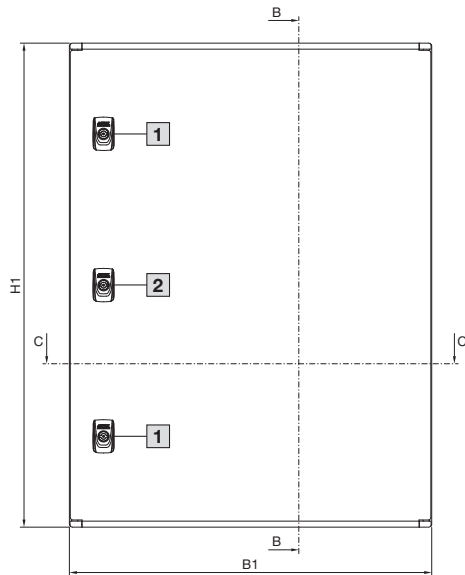
Airports

The plastic enclosure withstands UV radiation, rain, snow and storm, and offers protection against flying debris such as tyre wear particles.

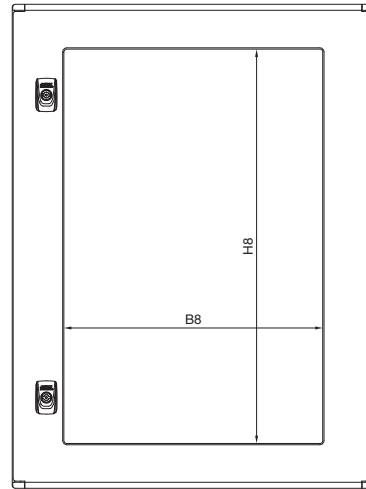
Technical details

Compact enclosures AX

Without viewing window

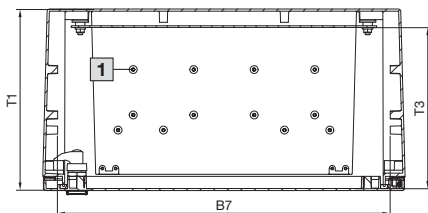


With viewing window



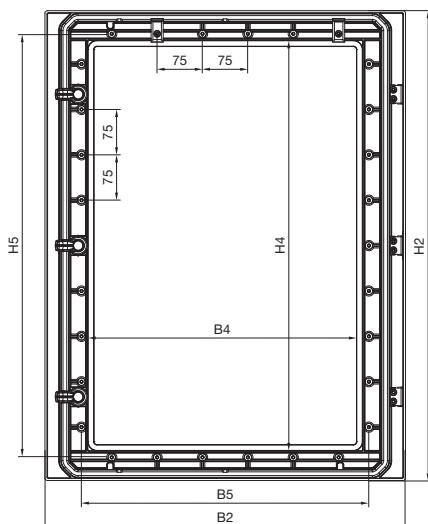
- 1 Not with 1432.000
- 2 Centre lock only for 1432.000, 1479.000, 1480.000

Section C – C

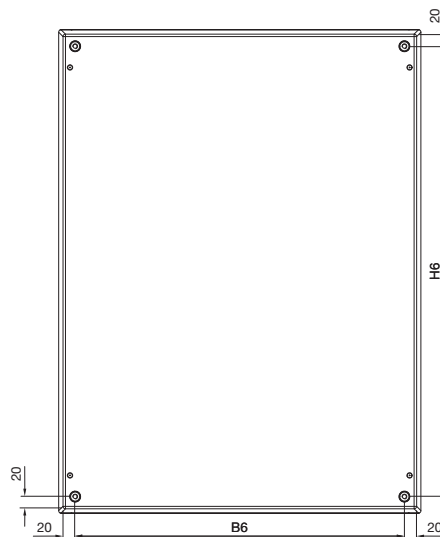


- 1 Mounting bosses for interior installation

Internal view of door

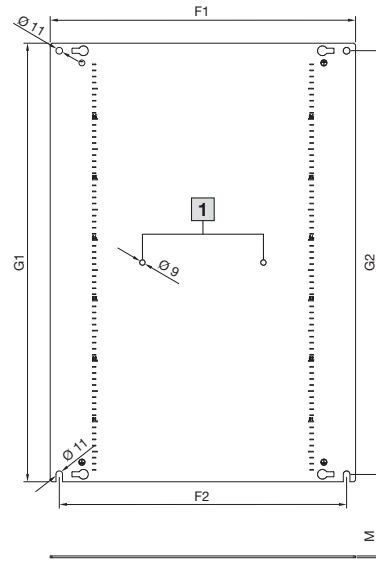
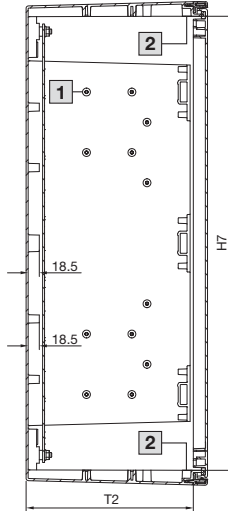
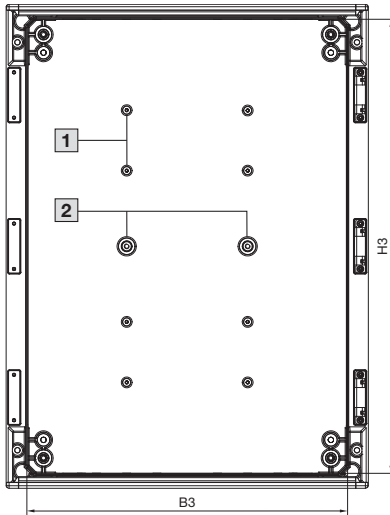


Rear



Compact enclosures AX

Section B – B



- 1 Mounting bosses on rear panel
(not applicable for 1432.000, 1434.000)
- 2 Centre mounting points for mounting plate
(not applicable for 1432.000, 1434.000,
1444.000, 1448.000)

- 1 Mounting bosses for interior installation
- 2 Preparation for direct mounting of a door-operated switch

- 1 Centre mounting points for mounting plate
(not applicable for 1432.000, 1434.000,
1444.000, 1448.000)

Enclosure

- B1 = Enclosure width (overall width)
- B2 = Door width
- B3 = Clearance width, enclosure opening
- B4 = Clearance width between door reinforcement
- B5 = Distance between door reinforcement attachment points
- B6 = Width spacing of enclosure mounting points
- B7 = Clear enclosure width between mounting points
- B8 = Visible width for versions with viewing window

- H1 = Enclosure height (overall height)
- H2 = Door height
- H3 = Clearance height, enclosure opening
- H4 = Clearance height between door reinforcement
- H5 = Distance between door reinforcement attachment points
- H6 = Height spacing of enclosure mounting points
- H7 = Clear enclosure height between mounting points
- H8 = Visible height for versions with viewing window

- T1 = Overall depth
- T2 = Enclosure depth
- T3 = Installation depth (distance from inside of door to mounting plate)

Mounting plate

- F1 = Mounting plate width
- F2 = Centre-to-centre spacing of the attachment holes
- G1 = Mounting plate height
- G2 = Centre-to-centre spacing of the attachment holes
- M = Mounting plate thickness

Model No. AX	Width dimensions mm								Height dimensions mm								Depth dimensions mm			Mounting plate mm					Viewing window	
	B1	B2	B3	B4	B5	B6	B7	B8	H1	H2	H3	H4	H5	H6	H7	H8	T1	T2	T3	F1	F2	G1	G2	M	Without	With
1432.000	250	245.9	176.6	104	125	202.2	200	-	350	326.4	300.6	228	250	302.2	300	-	150	126.5	116	155	125	275	250	2.5	■	-
1434.000	300	295.9	226.6	154	175	249.5	250	-	400	376.4	350.6	278	300	349.5	350	-	200	176.5	166	205	175	325	300	2.5	■	-
1444.000	400	395.9	326.6	254	275	349.5	350	-	400	376.4	350.6	278	300	349.5	350	-	200	176.5	166	305	275	325	300	2.5	■	-
1446.000	400	395.9	326.6	254	275	349.5	350	-	600	576.4	550.6	478	500	549.5	550	-	200	176.5	166	305	275	525	500	3	■	-
1448.000	400	395.9	326.6	254	275	349.5	350	228	400	376.4	350.6	278	300	349.5	350	252	200	176.5	166	305	275	325	300	2.5	-	■
1449.000	400	395.9	326.6	254	275	349.5	350	228	600	576.4	550.6	478	500	549.5	550	452	200	176.5	166	305	275	525	500	3	-	■
1453.000	500	495.9	426.6	354	375	444.3	450	-	500	476.4	450.6	378	400	444.3	450	-	300	276.5	266	405	375	425	400	3	■	-
1454.000	500	495.9	426.6	354	375	444.3	450	328	500	476.4	450.6	378	400	444.3	450	352	300	276.5	266	405	375	425	400	3	-	■
1466.000	600	595.9	526.6	454	475	549.5	550	-	600	576.4	550.6	478	500	549.5	550	-	200	176.5	166	505	475	525	500	3	■	-
1467.000	600	595.9	526.6	454	475	549.5	550	428	600	576.4	550.6	478	500	549.5	550	452	200	176.5	166	505	475	525	500	3	-	■
1468.000	600	595.9	526.6	454	475	544.3	550	-	800	776.4	750.6	678	700	744.3	750	-	300	276.5	266	505	475	725	700	3	■	-
1469.000	600	595.9	526.6	454	475	544.3	550	428	800	776.4	750.6	678	700	744.3	750	652	300	276.5	266	505	475	725	700	3	-	■
1479.000	800	795.9	726.6	654	675	744.3	750	628	1000	976.4	950.6	878	900	944.3	950	852	300	276.5	266	705	675	925	900	3	-	■
1480.000	800	795.9	726.6	654	675	744.3	750	-	1000	976.4	950.6	878	900	944.3	950	-	300	276.5	266	705	675	925	900	3	■	-

Rittal – The System.

Faster – better – everywhere.

- Enclosures
- Power Distribution
- Climate Control
- IT Infrastructure
- Software & Services

You can find the contact details of all Rittal companies throughout the world here.



www.rittal.com/contact

XWWW00217EN2005

ENCLOSURES

POWER DISTRIBUTION

CLIMATE CONTROL

IT INFRASTRUCTURE

SOFTWARE & SERVICES



FRIEDHELM LOH GROUP