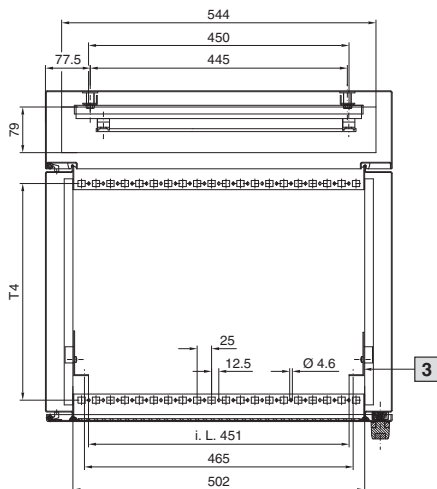
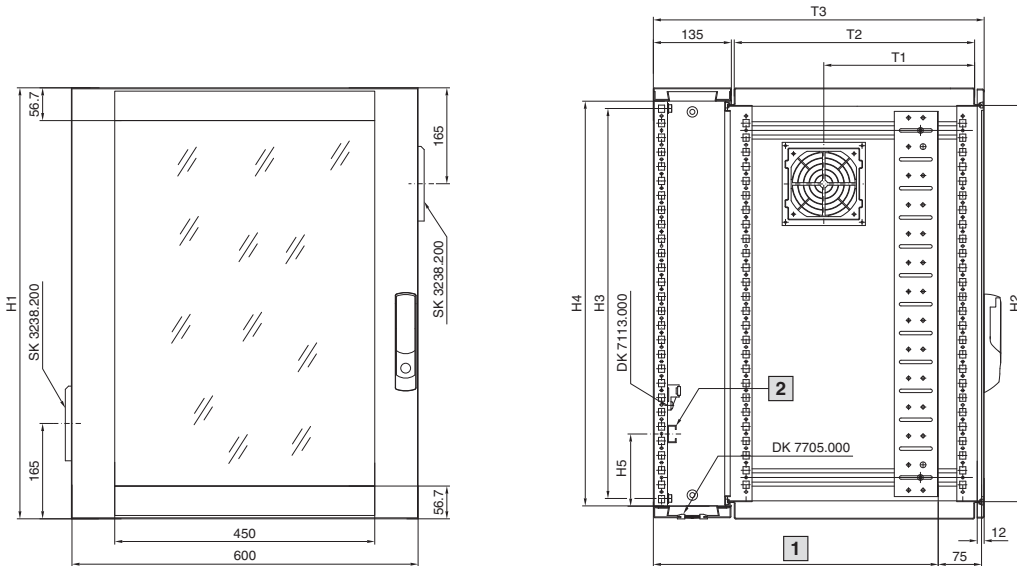


### Wall-mounted enclosure EL, 3-part pre-configured with mounting angles, depth-variable

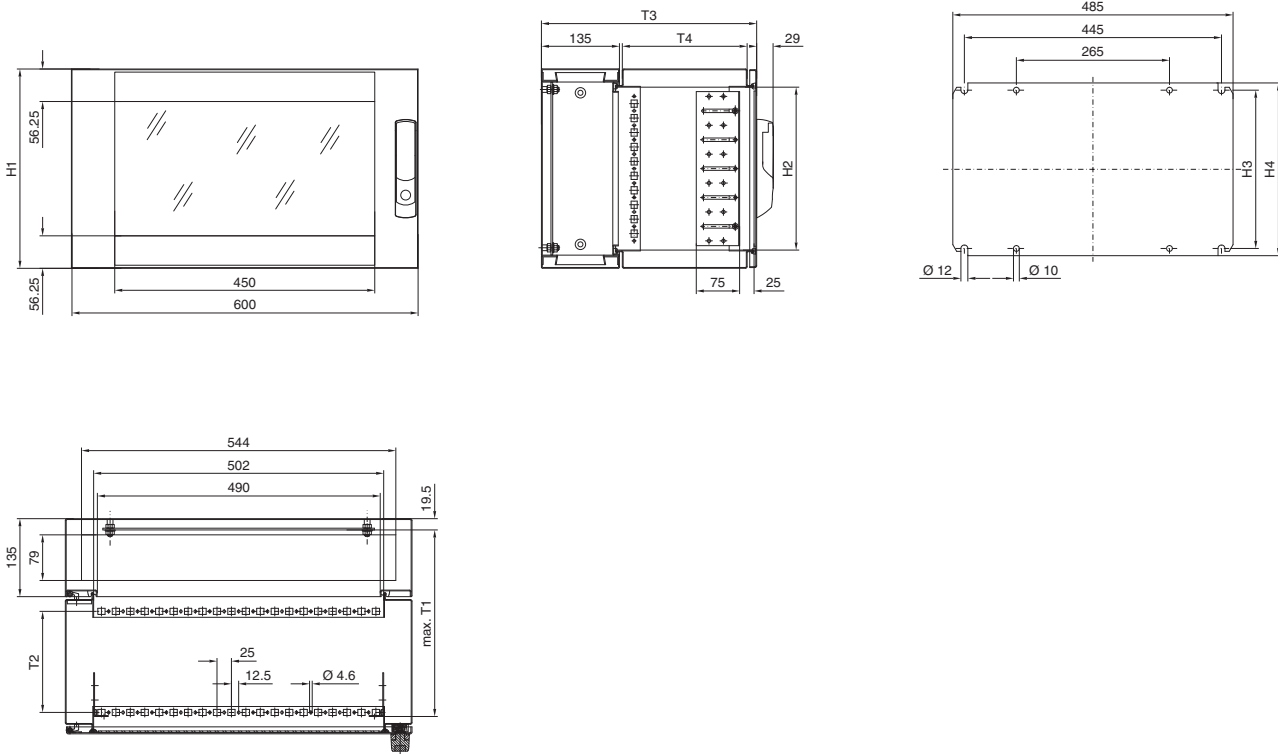


- 1 Max. installation depth T5 of the 482.6 mm (19") components between mounting angles and the inside of the enclosure rear panel (extendable to 520/620 mm)
  - 2 C rail
  - 3 482.6 mm (19") mounting angle, fully depth-adjustable
- i.L. = Clearance width

Model No. DK	Enclosure depth mm	U	Height dimensions mm					Depth dimensions mm				
			H1	H2	H3	H4	H5	T1	T2	T3	T4	T5
7709.735	573	9	478	415	407	432	103.5	261	416	572.5	375	491.5 – max. 520
7715.735		15	746	684	674	699	124.5	261	416	572.5	375	491.5 – max. 520
7721.735		21	1012	949	941	965	133	261	416	572.5	375	491.5 – max. 520
7709.535	673	9	478	415	407	432	103.5	361	516	672.5	475	591.5 – max. 620
7715.535		15	746	684	674	699	124.5	361	516	672.5	475	591.5 – max. 620
7721.535		21	1012	949	941	965	133	361	516	672.5	475	591.5 – max. 620



### Wall-mounted enclosure EL, 3-part with mounting plate and mounting angles, static installation



Model No. DK	Enclosure depth mm	U	Height dimensions mm				Depth dimensions mm			
			H1	H2	H3	H4	T1	T2	T3	T4
2243.605	373	3	212	151	141	165	320	175	372.5	216
2246.605		6	345	284	274	299	320	175	372.5	216
2249.605		9	478	417	407	432	320	175	372.5	216
2252.605		12	612	551	541	565	320	175	372.5	216
2255.605		15	746	684	674	699	320	175	372.5	216
2261.605		21	1012	951	941	965	320	175	372.5	216
2253.605	473	3	212	151	141	165	420	275	472.5	316
2256.605		6	345	284	274	299	420	275	472.5	316
2259.605		9	478	417	407	432	420	275	472.5	316
2262.605		12	612	551	541	565	420	275	472.5	316
2265.605		15	746	684	674	699	420	275	472.5	316
2271.605		21	1012	951	941	965	420	275	472.5	316