



SAFETY MANUAL

Instrument Signal Connections Surge Protection Devices



SD Series, SD07/16/32/55 all versions and SDRTD, SD150X, SD275X.
SLP07D, SLP16D, SLP32D. IOP Series, all versions. TP Series, TP24/7, TP-32, TP-48.



FUNCTIONAL SAFETY MANAGEMENT



These products are able to be used within a Safety System conforming to the requirements of IEC 61508:2010 or IEC 61511. The products are not Safety Elements but may be used to protect instrument loops designed to achieve Safety Integrity Level of up to SIL3.

MTL is a certified Functional Safety Management company meeting the requirements of IEC61508 Part1:2010 clause 6.



CONTENTS

1	INTRODUCTION	3
1.1	Application and function	3
1.2	Variant Description	3
2	SYSTEM CONFIGURATION	5
2.1.1	Input/Output Characteristics	5
2.1.2	Associated System Components	5
3	SELECTION OF PRODUCT AND IMPLICATIONS	6
4	ASSESSMENT FOR USE IN FUNCTIONAL SAFETY APPLICATIONS	6
4.1	EMC	8
4.2	Environmental	8
5	INSTALLATION	8
6	MAINTENANCE	8
7	APPENDICES	9

This manual supports the application of the products in functional safety related loops. It must be used in conjunction with other supporting documents to achieve correct installation, commissioning and operation. Specifically, the data sheet, instruction manual and applicable certificates for the particular product should be consulted, all of which are available on the MTL web site.

In the interest of further technical developments, we reserve the right to make design changes.



www.mtl-inst.com

mtlenquiry@eaton.com

1 INTRODUCTION

1.1 Application and function

The products concerned in this manual are 'Surge Protection' devices which can be located in safe or hazardous areas of a process plant to guard against the direct and indirect effects of lightning, or other transient overvoltage, on the instrumentation and power signals. They are also designed and tested according to IEC 61643-21 (Low voltage surge protective devices) for use in signal and communication loops.

The location, or mounting, of the surge protection device is a key parameter when considering the operation of the device and the consequences of breakdown or failure upon the operation of the signal loop to which it is connected.

The TP family of products are designed to protect field-mounted equipment, such as process measurement transmitters for level, flow, pressure, etc, by fixing directly into the cabling conduit entries of the housing. The SD, SLP and IOP Series are mounted on DIN rail in a cabinet or enclosure to protect the measuring and control equipment that is usually located in a control or equipment room.

Each module provides a hybrid surge protection circuit for one or two instrument loops. The devices are passive and consume no loop current in normal operation.

There are no configuration switches or operator controls to be set on the modules – they perform a fixed function, related to the model selected, and can be considered as wiring components that pass the process signals without alteration.



Note: The information given in this manual is intended to assist in the selection and application of surge protection devices for instrumentation signals that are being used to provide functional safety according to the latest IEC 61508 and IEC 61511 standards.

Within the context of these standards the surge protection devices themselves do not perform a defined safety function and thus a full assessment for functional safety to IEC 61508 would not be relevant. The products are regarded as wiring components, providing connection and termination for the electrical signals, with the key concern being the reliability of the signal transfer through the device.

See Appendix B where this position is affirmed by a notified certification body.

1.2 Variant Description

Functionally the surge protection devices are essentially the same, within a given Series, but the modules differ in the maximum signal voltage they will conduct in normal operation.

The TP items become an integral part of the field transmitter and the SD/SLP/IOP models are selected to suit the specific requirements for protection of one or more process loops.

Typical internal construction of the devices is shown in the following diagrams:

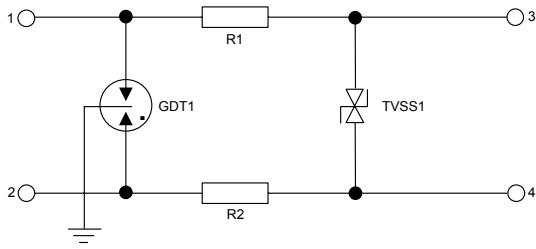


Figure 1 IOP Series surge protection arrangement, (single channel)

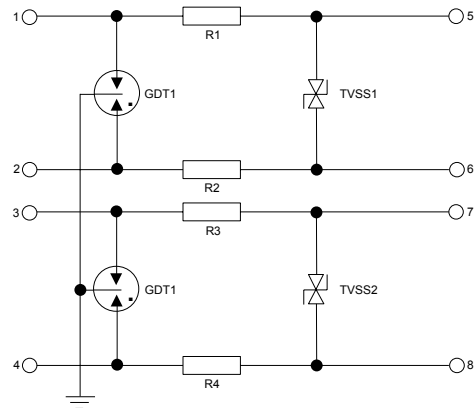


Figure 2 IOP Series surge protection arrangement, (dual channel)

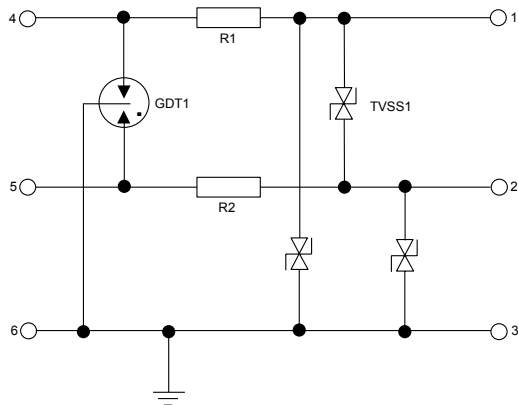


Figure 3 SD Series surge protection arrangement, (typical)

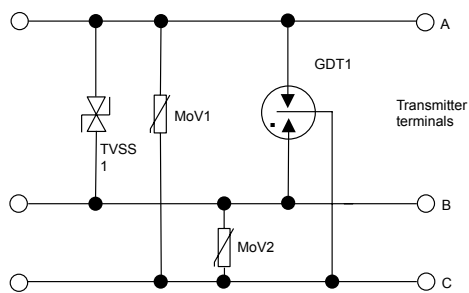


Figure 4 TP Series surge protection arrangement, (Parallel)

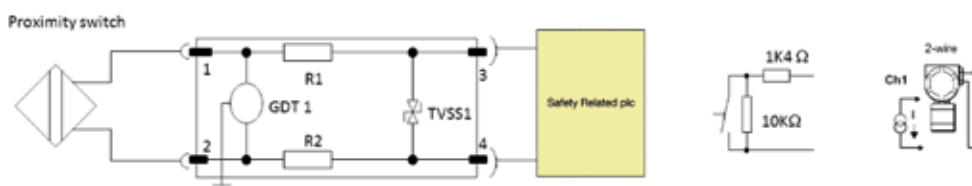
The surge protection devices covered by this manual are:

SD Series	SLP Series	IOP Series	TP Series
SD07, SD16, SD32, SD55 SD**R, SD**X, SD**R3, SD**T3, SD**X3 SD32-L, SD32-BL, SDRTD SD150X, SD275X	SLP07D, SLP16D, SLP32D	IOP32, IOP32D, IOP HC32	TP24/7, TP32, TP48**

2 SYSTEM CONFIGURATION

The surge protection devices may be used as protective wiring components in functional safety applications but the devices are not considered as 'safety elements' conforming to the requirements of IEC 61508. As stated previously, the protection devices limit the energy seen by instrument systems as a consequence of external electrical events such as induced surges, voltage transients, etc arising from lightning strikes or high voltage switching for example. Users of these surge protection devices can utilize the failure rate information contained in this manual in a probabilistic model of a Safety Instrumented Function (SIF) to determine suitability of the safety instrumented system to achieve the required Safety Integrity Level (SIL).

The figure below shows an example system configuration and specifies detailed interfaces to the safety related system components. It does not aim to show all details of the internal module structure, but is intended to support understanding for the application.



The SD/SLP/IOP modules are designed to protect the input into the safety plc from damaging transients and surge. The yellow (hatched) area shows the safety relevant system connection.

Consideration must be given to the use of dual channel devices when considering the integrity of the installation. A failure in one channel of a two channel device will require replacement of the complete module and the downtime of the two loops connected.

Otherwise, functionally the single channel and dual channel units are the same.

2.1.1 Input/Output Characteristics

The SD/SLP/IOP/TP surge protectors are passive devices and do not modify or alter the signal in normal operation, but simply limit electrical energy.

2.1.2 Associated System Components

The surge protectors are wiring components in the signal path between safety-related sensors or other field devices and safety-related instruments or control systems.

3 SELECTION OF PRODUCT AND IMPLICATIONS

The choice of surge protection component is made according to the location, signal type, signal level and operational or maintenance considerations for the safety instrumented function rather than any safety aspect of the surge components themselves.

See the previous comments regarding the nature of surge protection in relation to functional safety applications.

The information given in section 4 provides the hardware failure rates for the surge protection devices according to the expected consequence of the failures upon the signal passing through the device. The user can thus assess the effect of such failures upon the safety instrumented function.

4 ASSESSMENT FOR USE IN FUNCTIONAL SAFETY APPLICATIONS

On their own, surge protection devices do not perform a safety function and are considered as wiring components within the contexts of IEC 61508 and its associated standards. As such, the evaluation for use within a safety function, to a specific SIL level of such products, is not possible. However, when used as part of a complete safety system, the product can be assessed with regard to failure modes and effects on the overall system.

The hardware assessment shows that the surge protection devices:

- have a hardware fault tolerance of 0
- are classified as Type A devices (“Non-complex” component with well-defined failure modes)
- There are no internal diagnostic elements of these products.

The results of a Failure Mode and Effect Analysis to determine the hardware failure rate of the modules were determined as follows:-

TP Parallel surge suppression devices

Failure mode	Failure rate (FIT)			
	TP24/7	TP32	TP48 2W+G	TP48 3/4W+G
Detectable fault on signal*	11.4	12.1	7.6	15.1
Signal affected	6.4	5.4	3.5	7.0
Correct operation (failures have no effect)	42.9	22.9	20.1	40.2

* signal is driven outside normal operating range of 4/20mA and is detectable by the logic solver.

SD series surge suppression devices

Failure mode	Failure rate (FIT)				
	SD07/16/ 32/55	SDyyR/X (i)	SD07z3 (ii)	SD16/32/ 55z3 (ii)	SDRTD
Connected signal not affected	23.9	14.9	22.0	22.0	21.1
Connected signal interrupted	14.5	14.5	20.1	17.8	20.1
Errors in connected signal	1.5	1.5	6.9	5.9	9.0
Correct operation (failures have no effect)	51.4	32.4	51.3	49.9	50.1

(i) SDyy used to represent SD07, SD16, SD32 and SD55

(ii) z3 used to represent R3, T3 and X3

SLP series surge suppression devices

Failure mode	Failure rate (FIT)		
	SLP07D	SLP16D	SLP32D
Connected signal not affected	70	70	70
Connected signal interrupted	76	76	76
Errors in connected signal	2	2	2
Correct operation (failures have no effect)	23	23	23

IOP series surge suppression devices

Failure mode	Failure rate (FIT)		
	IOP32	IOP32D	IOP HC32
Connected signal not affected	5.4	5.4	5.4
Connected signal interrupted	65	65	65
Errors in connected signal	0	0	0
Correct operation (failures have no effect)	4.6	4.6	4.6

- FITs means failures per 10^9 hours or failures per thousand million hours.
- Reliability data for this analysis is taken either from the Electrical and Mechanical Component Reliability Handbook, 2006, by Exida L.L.C., or from IEC TR 62380:2004.

It is assumed that the device is installed, operated and maintained according to the product specification. The product has been assumed to operate at an average ambient temperature of 40°C under normal conditions. For a higher average temperature of 60°C, or if subject to frequent temperature fluctuation, the failure rates should be multiplied with an experience based factor of 2.5.

The information given here is to help the designer of a Safety Instrumented Function assess the impact of including surge protection devices on the operation and availability of the instrument loops.

The surge devices themselves are not 'safety elements'.

4.1 EMC

The surge protection devices are designed for operation in normal industrial electromagnetic environment but, to support good practice, modules should be mounted without being subjected to undue conducted or radiated interference, see Appendix A for applicable standards and levels.

Any maintenance or other testing activity should only be conducted when the field loop is not in service, to avoid any possibility of introducing a transient change in the field signal.

4.2 Environmental

The surge protection devices operate over the temperature range from -40°C to +70°C, and at up to 95% non-condensing relative humidity.

The devices are intended to be mounted in a normal industrial environment without excessive vibration, as specified for the specific product ranges. See Appendix A for applicable standards and levels.

Continued reliable operation will be assured if the exposure to temperature and vibration are within the values given in the specification.

5 INSTALLATION

There are two particular aspects of safety that must be considered when installing the surge protection devices and these are:

- **Functional safety (applicable when used in SIFs)**
- **Intrinsic safety (only applicable when used in intrinsic safety loops)**

When required, reference must be made to the relevant sections within the instruction sheet or manual for the product series which contain basic guides for the installation of the interface equipment to meet the requirements of intrinsic safety. In many countries there are specific codes of practice, together with industry guidelines, which must also be adhered to.

Provided that these installation requirements are followed then there are no additional factors to meet the needs of applying the products for functional safety use.

With the exception of the TP models which are designed for field mounting, to guard against the effects of dust and water the modules should be mounted in an enclosure providing at least IP54 ingress protection rating, or the location of mounting should provide equivalent protection such as inside an equipment cabinet.

6 MAINTENANCE

To follow the guidelines pertaining to operation and maintenance of intrinsically safe equipment in a hazardous area, periodic audits of the installation are required by the various codes of practice.

In addition, proof-testing of the instrumented loop operation to conform with functional safety requirements should be carried out at the intervals determined by safety case assessment.

The continuity of the surge device will be tested (not surge function) when the overall loop function is tested both during commissioning and through the life of the intended safety function. The removal of the Surge protective device during these tests is not required.

If an MTL surge protection device is found to be faulty during commissioning or during the normal lifetime of the product then such failures should be reported to MTL. When appropriate, a Customer Incident Report (CIR) will be notified to enable the return of the unit to the factory for analysis. If the unit is within the warranty period then a replacement unit will be sent.

Consideration should be made of the normal lifetime for a device of this type which would be in the region of twenty years, with a typical warranty period of ten years.

7 APPENDICES

Appendix A: Summary of applicable standards

The annex lists together all standards referred to in the previous sections of this document:

IEC 61508:2010	Functional safety of electrical/electronic/programmable electronic safety-related systems. Parts 1 and 2 as relevant.
IEC 60654-1:1993	Industrial-process measurement and control equipment. Operating conditions. Climatic conditions
IEC 61643-21:2000+A1:2008	Low voltage surge protective devices - Part 21: Surge protective devices connected to telecommunications and signalling networks - Performance requirements and testing methods.

Appendix B: Functional Safety and Surge Protection Devices



Industrial Services
Functional Safety

Mr. Curtis Domsch
MTL Surge Technologies
4325 Woodland Park Drive, Suite 101
W. Melbourne, FL 32904, USA

Joseph A. Lenner
Email: jlenner@us.tuv.com

October 5, 2012

Subject: Functional Safety note to MTL surge protection devices

To whom it may concern:

The purpose of this letter is to convey to MTL Surge Technologies that TUV Rheinland assumes that the surge protection devices designed and manufactured by MTL Surge Technologies are not reasonable to undergo a complete functional safety assessment as described per IEC 61508.

The reason for this is that one of the main criteria to perform a functional safety assessment per IEC 61508 for a safety device/component is that it must have a defined safety function. The MTL surge protective devices have not a defined safety function in reference to IEC 61508. If the devices become part of a safety loop the influence to the performance of the safety function has to be evaluated.

Best regards,

Joseph A. Lenner
Senior Functional Safety Engineer

TUV Rheinland
of North America, Inc.
Chicago Office

2100 Golf Rd., Suite 300
Rolling Meadows, IL 60008

Tel 847-640-5700
Fax 847-640-5702
Mail info@us.tuv.com

North American Headquarters

12 Commerce Road
Newtown, CT 06470

Tel 203-426-0888
Fax 203-426-4009
Toll Free TUV-RHEINLAND
Mail info@tuv.com
Web www.tuv.com

Member of
TUV Rheinland Group



Eaton's Crouse-Hinds

The safety you rely on.

See the complete offering of Pharmaceutical & Biotechnology solutions at www.mtl-inst.com

U.S. (Global Headquarters): Eaton's Crouse-Hinds Business

1201 Wolf Street
Syracuse, NY 13208

(866) 764-5454
FAX: (315) 477-5179
FAX Orders Only:
(866) 653-0640

[crouse.customerctr@
cooperindustries.com](mailto:crouse.customerctr@cooperindustries.com)

For more information:

If further assistance is required, please contact an authorised MTL Distributor, Sales Office, or Customer Service Department

AUSTRALIA

MTL Instruments Pty Ltd,
205-209 Woodpark Road, Smithfield,
New South Wales 2164, Australia

Tel: + 61 1300 308 374 Fax: + 61 1300 308 463
E-mail: mtlsalesanz@eaton.com

CHINA

Cooper Electric (Shanghai) Co. Ltd.
Room 2001, China Life Tower, 16 Chao Yang Men Wai Street,
Chao Yang District, Beijing, China 100020

Tel: + 86 10 5980 0231 Fax: + 86 10 8562 5725
E-mail: mtl-cn@eaton.com

FRANCE

MTL Instruments sarl,
7 rue des Rosières, 69410 Champagne au Mont d'Or
France

Tel: + 33 (0)4 37 46 16 70 Fax: +33 (0)4 37 46 17 20
E-mail: mtlfrance@eaton.com

GERMANY

MTL Instruments GmbH,
Heinrich-Hertz-Str. 12, 50170 Kerpen, Germany

Tel: + 49 (0)22 73 98 12 - 0 Fax: + 49 (0)22 73 98 12 - 2 00
E-mail: mtlgbmh@eaton.com

INDIA

MTL India,
No.36, Nehru Street, Off Old Mahabalipuram Road
Sholinganallur, Chennai - 600 119, India

Tel: + 91 (0) 44 24501660 /24501857 Fax: + 91 (0) 44 24501463
E-mail: mtlindiasales@eaton.com

ITALY

MTL Italia srl,
Via A. Meucci, 10, I-20094 Corsico (MI), Italy

Tel: + 39 (0)2 61802011 Fax: + 39 (0)2 61294560
E-mail: chmninfo@eaton.com

JAPAN

Cooper Crouse-Hinds Japan KK,
MT Building 3F, 2-7-5 Shiba Daimon, Minato-ku,
Tokyo, Japan 105-0012

Tel: + 81 (0)3 6430 3128 Fax: + 81 (0)3 6430 3129
E-mail: mtl-jp@eaton.com

NETHERLANDS

MTL Instruments BV
Terheijdenweg 465, 4825 BK Breda
The Netherlands

Tel: +31 (0) 76 7505360 Fax: +31 (0) 76 7505370
E-mail: mtl.benelux@eaton.com

NORWAY

Norex AS
Fekjan 7c, Postboks 147,
N-1378 Nesbru, Norway

Tel: +47 66 77 43 80 Fax: +47 66 84 55 33
E-mail: info@norex.no

SINGAPORE

Cooper Crouse-Hinds Pte Ltd
No 2 Serangoon North Avenue 5, #06-01 Fu Yu Building
Singapore 554911

Tel: + 65 6 645 9888 Fax: + 65 6 487 7997
E-mail: sales.mtl@eaton.com

SOUTH KOREA

Cooper Crouse-Hinds Korea
12F, Vision Tower, 707-2 Yeoksam-Dong Gangnam-Gu,
Seoul 135-080, South Korea.

Tel: +82 2 538 3481 Fax: +82 2 538 3505
E-mail: mtl-korea@eaton.com

UNITED ARAB EMIRATES

MTL Instruments,
Office Nos 316, 317, 318, Al Arjan Building,
Defence Road, P.O Box 106298, Abu Dhabi, UAE

Tel: + 971-2 -815 2860 Fax: + 971-2 -815 2906
E-mail: mtlgulf@eaton.com

UNITED KINGDOM

Measurement Technology Limited,
Great Marlings, Butterfield, Luton
Beds LU2 8DL

Tel: + 44 (0)1582 723633 Fax: + 44 (0)1582 422283
E-mail: mtlenquiry@eaton.com

AMERICAS

Cooper Crouse-Hinds MTL Inc.
3413 N. Sam Houston Parkway W.
Suite 210, Houston TX 77086, USA

Tel: + 1 281-571-8065 Fax: + 1 281-571-8069
E-mail: mtl-us-info@eaton.com

Measurement Technology Limited

Great Marlings, Butterfield, Luton
Beds LU2 8DL, UK.

Tel: + 44 (0)1582 723633 Fax: + 44 (0)1582 422283
E-mail: mtlenquiry@eaton.com

www.mtl-inst.com

Crouse-Hinds
by **EATON**

© 2014 MTL
All Rights Reserved
ZL-B-SMSURGE-ISC-EN-0614
June 2014

Measurement Technology Limited

Great Marlings, Butterfield, Luton
Beds LU2 8DL, UK.
Tel: + 44 (0)1582 723633 Fax: + 44 (0)1582 422283
E-mail: mtlenquiry@eaton.com

Eaton is a registered trademark.

All other trademarks are property of their respective owners.