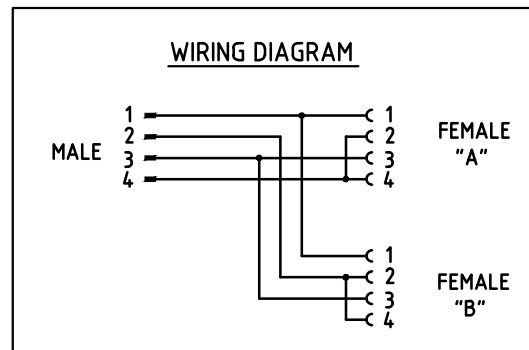


CONNECTOR SPECIFICATION: Steckverbinder-Eigenschaften:	
VOLTAGE RATING Bemessungsspannung	250V AC / 300V DC
AMPERAGE RATING Betriebsstrom	max. 4 AMPS
PROTECTION Schutzart	IP67
OPERATING TEMPERATURE Temperaturbereich	-25°C TO +90°C



(...) INFORMATION DIMENSION
(...) Informationsmaß

ENG.-NO.: 0812-04EMF-00000

POS. Pos.	COMPONENT Einzelteil	MATERIAL Material	FINISH Oberfläche
1	INSERT Kontaktträger	PUR / BLACK PUR / schwarz	---
2	CONTACT SOCKET Kontakt	COPPER ALLOY Kupferlegierung	GOLD-PLATED vergoldet
3	COUPLING NUT MALE Schraubverschluß Stecker	BRASS Messing	NICKEL-PLATED vernickelt
4	COUPLING NUT FEMALE Schraubverschluß Buchse	BRASS Messing	NICKEL-PLATED vernickelt
5	OVERMOULDED Umspritzung	PUR / BLACK PUR / schwarz	---
6	O-RING (FEMALE) O-Ring (Buchse)	FPM / RED FPM / rot	---

DESCRIPTION EC NO: IPG2013-1030 DRWN: BBRAUCH 2013/01/15 CHKD: REISSNER APPR: REISSNER 2013/01/16	QUALITY SYMBOLS ▽ = 0 ▽ = 0	GENERAL TOLERANCES (UNLESS SPECIFIED)		DIMENSION STYLE MM ONLY		SCALE 2:1	DESIGN UNITS METRIC	THIRD ANGLE PROJECTION
		mm	INCH	DRAWN BY BBRAUCH	DATE 2013/01/15	SPL YS M12 4P AC MA FE FE		
A	REV	4 PLACES	±---	±---	CHECKED BY REISSNER <td>DATE 2013/01/16</td> <td colspan="2" rowspan="3">SD-120068-149</td>	DATE 2013/01/16	SD-120068-149	
		3 PLACES	±---	±---	APPROVED BY REISSNER <td>DATE 2013/01/16</td>	DATE 2013/01/16		
		2 PLACES	±0.05	±---	MATERIAL NO. 1200680294	DOCUMENT NO. SD-120068-149		
		1 PLACE	±0.3	±---	THIS DRAWING CONTAINS INFORMATION THAT IS PROPRIETARY TO MOLEX INCORPORATED AND SHOULD NOT BE USED WITHOUT WRITTEN PERMISSION			
		0 PLACE	±0.5	±---				
		ANGULAR ± 1°		DRAFT WHERE APPLICABLE MUST REMAIN WITHIN DIMENSIONS		SIZE A3		

molex