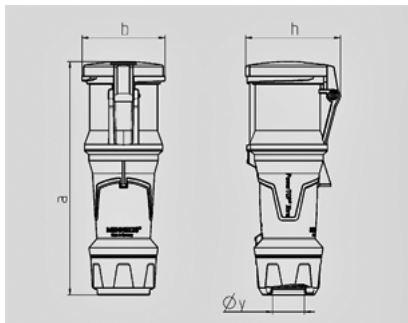


**Connector PowerTOP® Xtra - Part no. 14106**


- screw terminals
- with rubberised grip area
- frame terminals
- with SoftCONTACT
- with highly heat resistant contact carrier
- cable gland and sealing
- strain relief and protection against kinking
- enclosure with thread lock
- two safety slides
- products with pilot contact: part no. + index P

Technical information	
Ampere	63 A
Poles	4 p
Voltage	400V
Earth position	6 h
Hertz	50-60 Hz
Connection technology	Screw terminals, SoftCONTACT
Contact	highly heat resistant contact carrier
Protection type	IP 44



Drawing 3 MB 69	Amp. Poles	63		
		3	4	5
Dim. in mm	a	268	268	268
	b	95	95	95
	h	109	109	109
	y	36	36	36
Terminal for cond. cross		6	6	6
section (mm²) min.-max.		—16	—16	—16