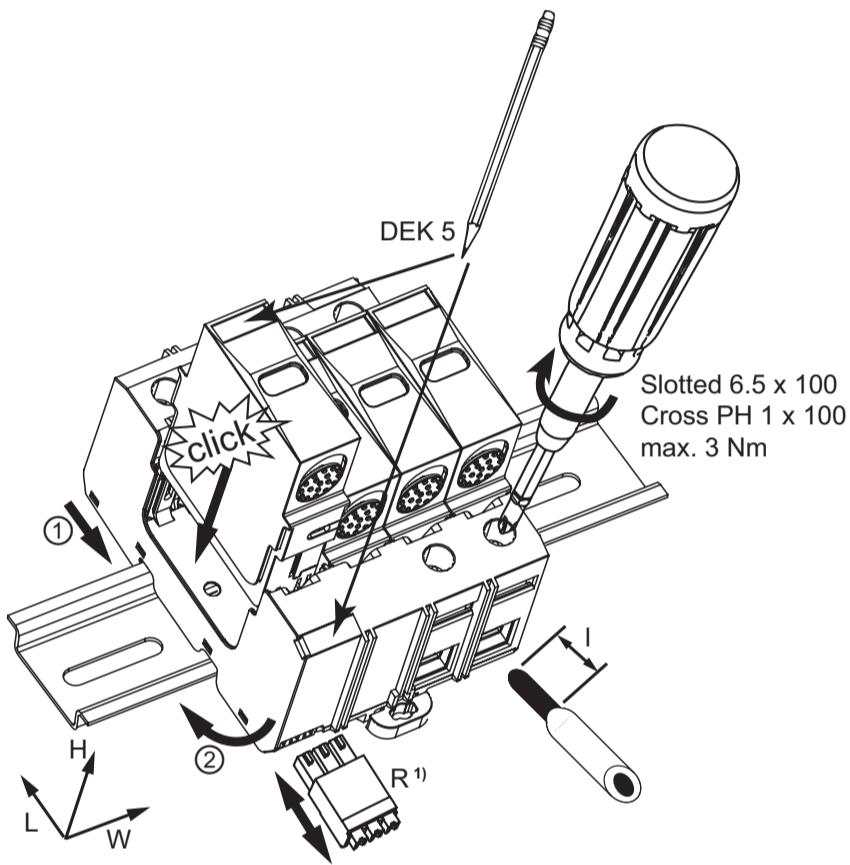


A Technische Daten / Technical specifications / Caractéristiques techniques / Dati tecnici / Datos técnicos / Technische gegevens / Tekniska data / Dane techniczne

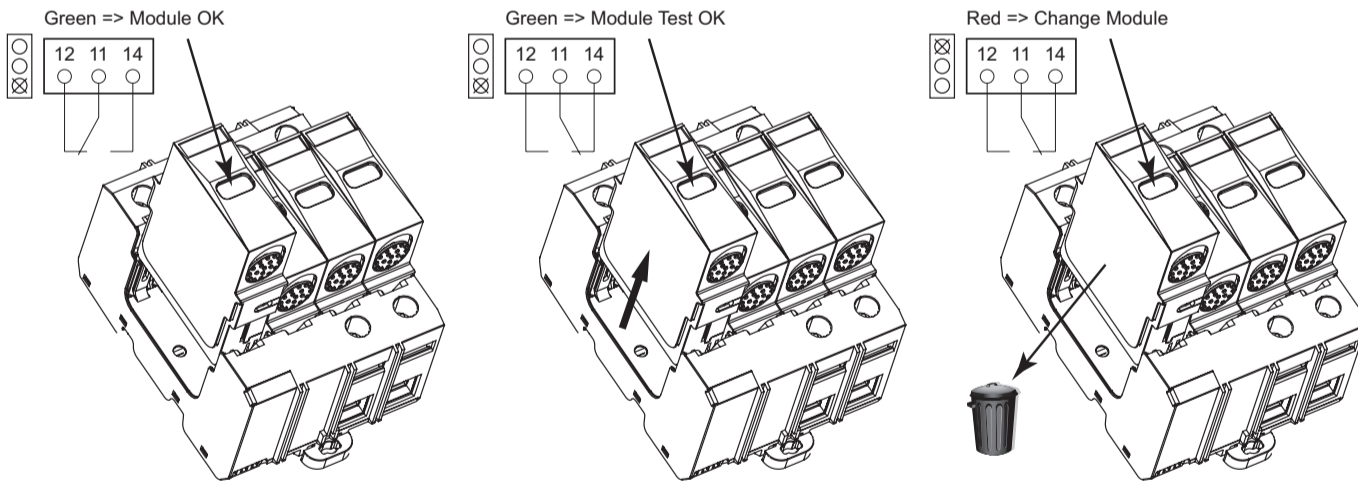
| Type | VPU I 12,5 kA | | | | VPU I 12,5 kA LCF | |
|---|--|---------------------|--|----------------------|---------------------------------------|----------------------|
| | N-PE | | L-PE(N) | | N-PE | L-PE(N) |
| U_n | 230 V | 400 V | 230 V | 400 V | 230 V | 230 V |
| Grid | 50 Hz, TN, TT | 50 Hz, TN, TT | 50 Hz, TN, TT | 50 Hz, TN, TT | 50 Hz, TN, TT | 50 Hz, TN, TT |
| Voltage regulation | ±10 % | ±10 % | ±10 % | ±10 % | ±10 % | ±10 % |
| I_n / I_{max} | 50 kA / 100 kA | 50 kA / 100 kA | 25 kA / 50 kA | 25 kA / 50 kA | 50 kA / 100 kA | 25 kA / 50 kA |
| I_{imp} | 50 kA | 50 kA | 12.5 kA | 12.5 kA | 50 kA | 12.5 kA |
| I_{SCCR} | - | - | 25 kA | 25 kA | - | 25 kA |
| $U_p @ I_n$ | ≤ 1500 V | ≤ 2700 V | ≤ 1400 V | ≤ 1800 V | ≤ 1500 V | ≤ 1450 V |
| U_c | 260 V | 440 V | 280 V | 400 V | 260 V | 280 V |
| $F2 \rightarrow gL/gG \max$ | - | - | ≤ 250 A | | - | ≤ 250 A |
| min | 2.5 mm ² | | 2.5 mm ² | | l = 15 mm / 2 Nm...3 Nm | |
| max | 50 mm ² | | 25 mm ² | | l = 15 mm / 2 Nm...3 Nm | |
| Cross-connection | 16 mm ² CU \uparrow 15 mm | | | | | |
| $R^{1)}$ | $U_n = 250 \text{ Vac} / 1 \text{ A}$ | | $U_n = 24 \text{ Vdc} / 0.1 \text{ A}$ | | 0.14...1.5 mm ² / l = 8 mm | |
| T_A | -40 °C...+70 °C | | | | | |
| Relative humidity | 5...95 %, indoor | | | | | |
| Protection degree | IP20, built-in | | | | | |
| Number of ports | 1 | | | | | |
| L x W ²⁾ x H (single device) | 94 x (1 HP) x 75 mm | 94 x (1 HP) x 75 mm | 106 x (1 HP) x 75 mm | 106 x (1 HP) x 75 mm | 94 x (1 HP) x 75 mm | 106 x (1 HP) x 75 mm |
| Spare aristor | 1351930000 | 1351980000 | 1352120000 | 1352280000 | 1351930000 | 1352000000 |

1) R = remote signal contact
2) horizontal pitch (HP), 1 HP = 17.8 mm

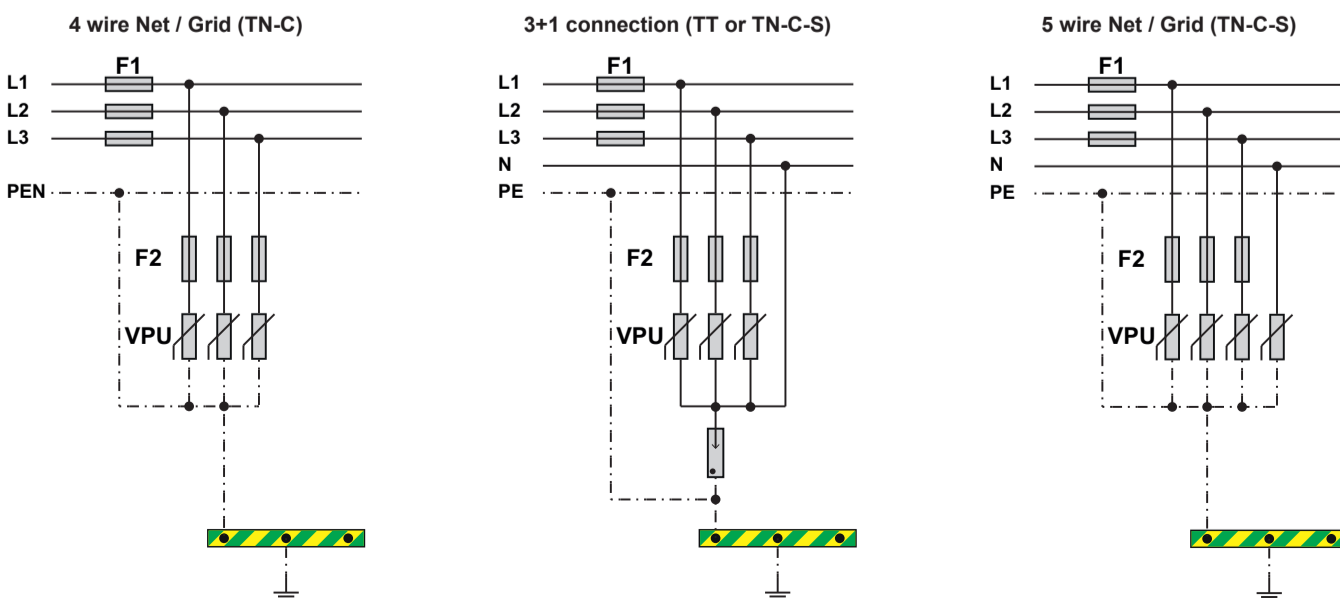
B Montage / Mounting / Montage / Montaggio / Montaje / Montage / Montering / Montaż



C Monitoring / Monitoring / Surveillance / Monitoring / Monitorización / Onderhoud / Övervakning / Monitorowanie



D Applikation / Application / Application / Applicazione / Aplicación / Toepassing / Applikation / Schemat aplikacyjny

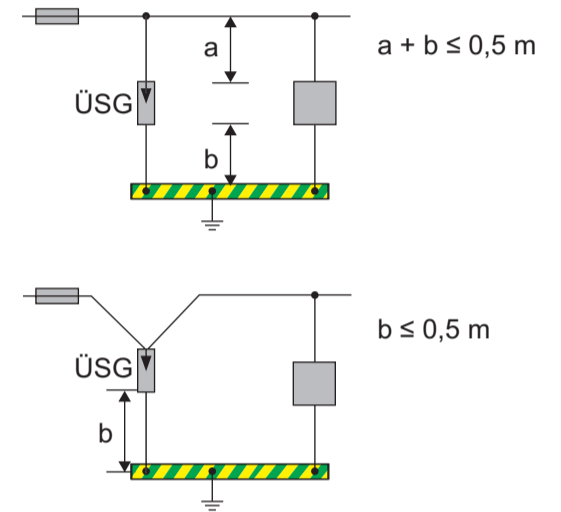


- de** Installationsanleitung VPU I 12,5 kA
- en** Installation instruction VPU I 12,5 kA
- fr** Consignes d'installation VPU I 12,5 kA
- it** Istruzioni per l'installazione VPU I 12,5 kA
- es** Instrucciones para la instalación VPU I 12,5 kA
- nl** Installatiehandleiding VPU I 12,5 kA
- sv** Installationsanvisning VPU I 12,5 kA
- pl** Instrukcja instalacji VPU I 12,5 kA

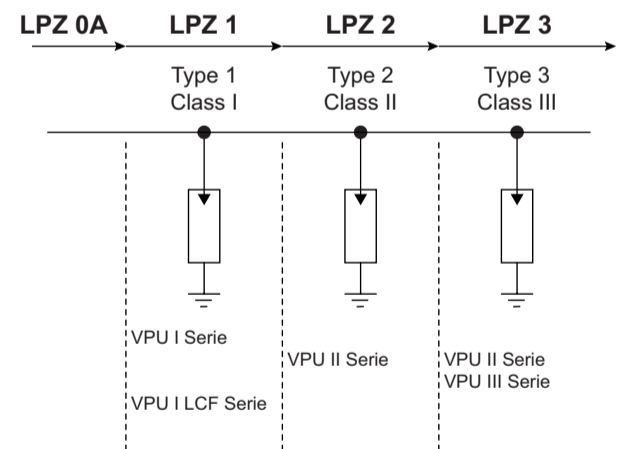


R.T.Nr. 1377820000/06/01.16

E PE-Verkabelung / PE cabling / Câblage PE / Cablaggio PE / Cableado PE / PE-bekabeling / PE-ledningsdragnig / Okablowanie PE



F Koordination / Coordination / Coordination / Coordinamento / Coordinación / Coördinatie / Koordinering / Koordynacja IEC 62305-4



G Zulassungen / Approvals / Autorisations / Approvazioni / Homologaciones / Certificaten / Godkännanden / Świadectwa dopuszczenia

Surge protection Class I and II

CE
Test Class I/II: IEC 61643-11
Type 1/2: EN 61643-11
ÖVE, CCA, CB

| Type | I_{PE} |
|-----------------------|---------------------|
| VPU I MOV (1, 2 pole) | < 600 μA |
| VPU I MOV (4 pole) | < 100 μA |
| VPU I x+1 (GDT) | < 10 μA |
| VPU I LCF | < 10 μA |

