

**Industrial Ethernet  
IE-TO-RJ45-C**

**Weidmüller Interface GmbH & Co. KG**  
Klingenbergstraße 16  
D-32758 Detmold  
Germany  
Fon: +49 5231 14-0  
Fax: +49 5231 14-292083  
www.weidmueller.com



Mounting rail outlet, RJ45 junction design according to IEC 60603-7-51

**General ordering data**

Type	IE-TO-RJ45-C
Order No.	<a href="#">8946920000</a>
Version	Mounting rail outlet, RJ45, Coupling, IP20
GTIN (EAN)	4032248734801
Qty.	10 pc(s).

**Industrial Ethernet  
IE-TO-RJ45-C**

**Weidmüller Interface GmbH & Co. KG**  
 Klingenbergstraße 16  
 D-32758 Detmold  
 Germany  
 Fon: +49 5231 14-0  
 Fax: +49 5231 14-292083  
 www.weidmueller.com

**Technical data**
**Dimensions and weights**

Net weight 52.1 g

**Temperatures**

Humidity	0...93 % rel. humidity	Operating temperature, max.	70 °C
Operating temperature, min.	-40 °C	Operating temperature	-40 °C...70 °C
Storage temperature		Temperature range, installation, min.	-25 °C
Installation temperature		Temperature range, installation, max.	70 °C

**General data**

Connection 1	RJ45	Connection 2	RJ45
Configuration	Switchable volt. connection from module/ coupling to mounting rail	Wiring	Coupling
Colour	Light Grey	Shock resistance acc. to IEC 60512-4	250 ms <sup>-2</sup>
Vibration resistance acc. to IEC 60512-4	50 ms <sup>-2</sup> sinusoidal (9 – 500 Hz)	Humidity	0...93 % rel. humidity
Housing main material	PA UL 94 V0	Category	Cat.6 <sub>A</sub> / Class E <sub>A</sub> (ISO/IEC 11801 2010)
Contact material	Spring steel, Ni 1.2 µm	Contact surface	Au ≥ 0.8 µm
Type of mounting	TS 35	Protection degree	IP20
Plugging cycles	750		

**Electrical properties**

Contact resistance	≤ 20 mΩ	Current-carrying capacity at 50 °C	1 A
Dielectric strength, contact / contact	≥ 1000 V DC	Dielectric strength, contact / shield	≥ 1500 V DC
Insulation resistance	500 MΩ	PoE / PoE+	conforming to IEEE 802.3af

**Standards**

Connector standard IEC 60603-7-5 1

**Classifications**

ETIM 3.0	EC000018	ETIM 4.0	EC000018
ETIM 5.0	EC000018	ETIM 6.0	EC000313
UNSPSC	30-21-18-01	eClass 6.2	27-25-05-04
eClass 7.1	27-25-05-04	eClass 8.1	19-17-01-25
eClass 9.0	19-17-01-25	eClass 9.1	19-17-01-25

**Approvals**

Approvals



ROHS Conform

**Industrial Ethernet  
IE-TO-RJ45-C**

**Weidmüller Interface GmbH & Co. KG**  
Klingenbergstraße 16  
D-32758 Detmold  
Germany  
Fon: +49 5231 14-0  
Fax: +49 5231 14-292083  
www.weidmueller.com

**Technical data****Downloads**

---

Approval/Certificate/Document of Conformity	<a href="#">PROFINET Manufacturer's Declaration</a>
Brochure/Catalogue	<a href="#">CAT 9 IETH 15/16 EN</a> <a href="#">MB FREECONCONTACT EN</a> <a href="#">FL FIELDWIRING EN</a> <a href="#">PI PROFINET CABLING EN</a>
Engineering Data	<a href="#">EPLAN, WSCAD, Zuken E3.S</a>
User Documentation	<a href="#">MAN IE GUIDE DE</a> <a href="#">MAN IE GUIDE EN</a>

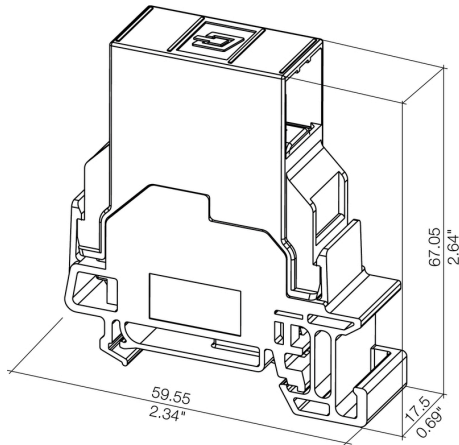
---

**Industrial Ethernet  
IE-T0-RJ45-C**

**Weidmüller Interface GmbH & Co. KG**  
Klingenbergstraße 16  
D-32758 Detmold  
Germany  
Fon: +49 5231 14-0  
Fax: +49 5231 14-292083  
www.weidmueller.com

**Drawings**

**Dimensioned drawing**



**Drawing**

